

Fixed Point MS w/o Lining

Application

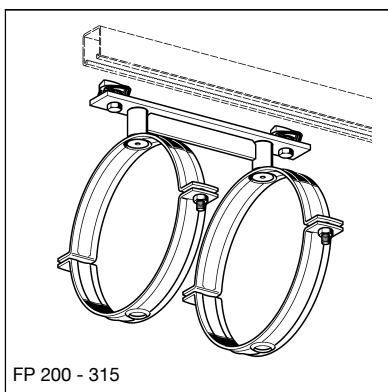
Fixed point construction for secure absorption of high mechanical loads resulting from Siaqua DSS Systems.

Scope of delivery

Pipe clamp(s) Stabil D-3G without lining and pre-assembled fixed point adaptions, suitable for sizes 40 up to 315. With single thread connection for sizes 40 up to 160 and double thread connection for sizes 200 up to 315.

Installation

The entire fixed point module is put into the channel opening and locks automatically. While positioning the distances, the module is securely guided in the channel opening. Then hexagon bolts are tightened.



| Type | W [kg] | Quantity [pack] | Part number |
|----------------|--------|-----------------|-------------|
| FP 40 MS o.E. | 0.45 | 1 | 602320 |
| FP 50 MS o.E. | 0.47 | 1 | 602330 |
| FP 56 MS o.E. | 0.48 | 1 | 602340 |
| FP 63 MS o.E. | 0.49 | 1 | 602350 |
| FP 75 MS o.E. | 0.58 | 1 | 602360 |
| FP 90 MS o.E. | 0.60 | 1 | 602370 |
| FP 110 MS o.E. | 0.67 | 1 | 602380 |
| FP 125 MS o.E. | 0.69 | 1 | 602390 |
| FP 160 MS o.E. | 1.21 | 1 | 602400 |
| FP 200 MS o.E. | 3.34 | 1 | 602410 |
| FP 250 MS o.E. | 3.75 | 1 | 602420 |
| FP 315 MS o.E. | 5.09 | 1 | 602430 |