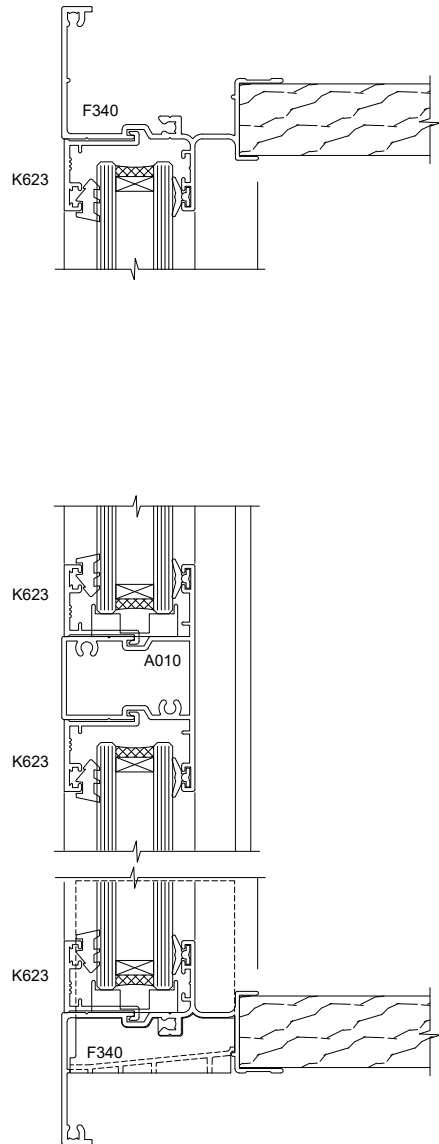


SECTION A-A



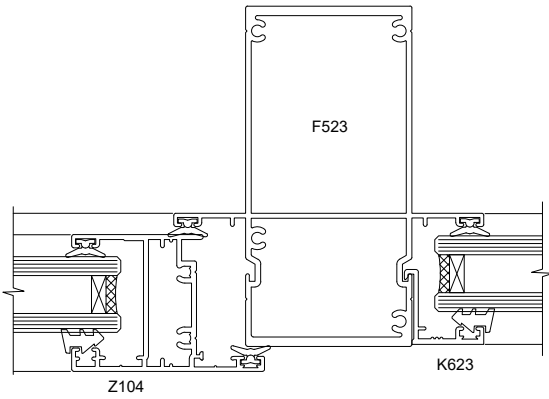
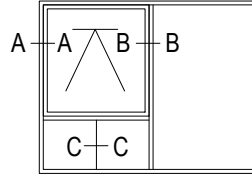
SECTION B-B

AWNING / CASEMENT WINDOW

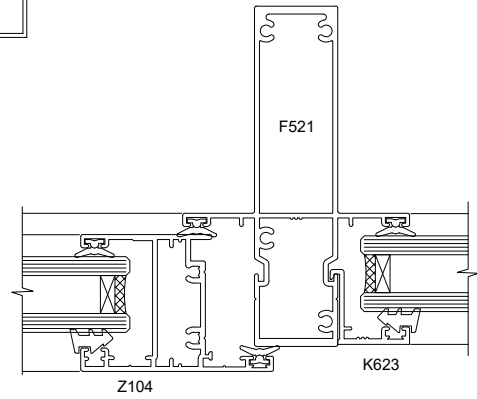
FAIRVIEW SYSTEMS LIMITED SPECIFIERS GUIDE 2014 © TECHNICAL SPECIFICATIONS & PROFILE DETAILS SUBJECT TO CHANGE WITHOUT NOTICE

ARCHITECTURAL LINEAR 35 COMPLETE SUITE

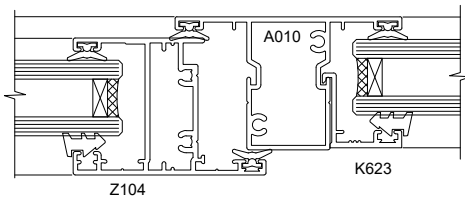
| | |
|--------------------|--------------|
| DATE 12.06.2018 | SCALE 1:2 |
| REF. AL35.0001 | |



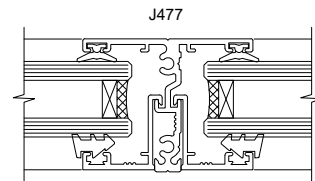
SECTION B-B



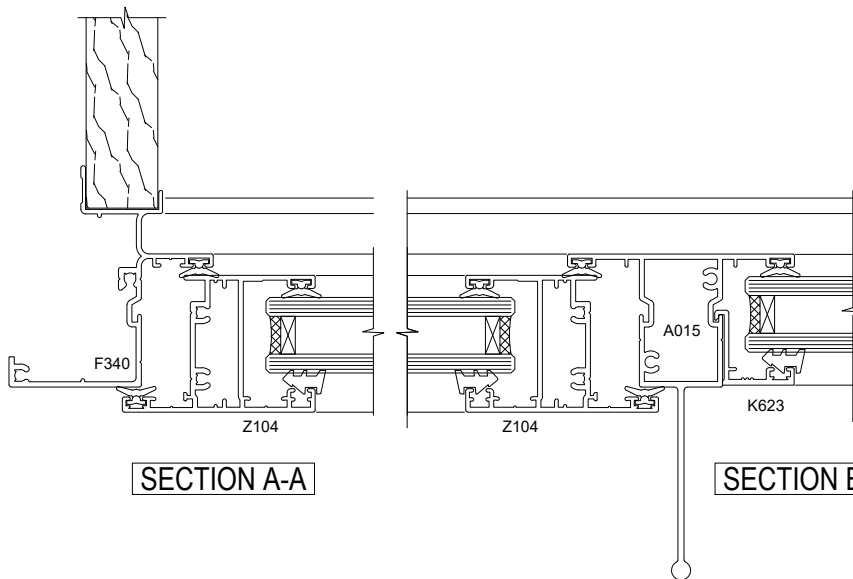
SECTION B-B



SECTION B-B



SECTION C-C



SECTION A-A

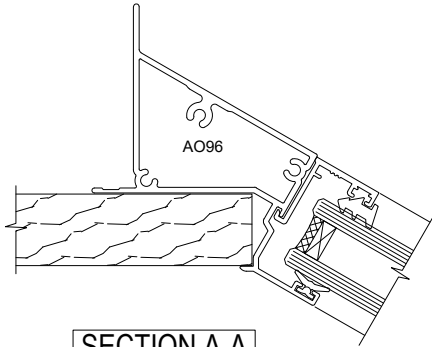
SECTION B-B

AWNING / CASEMENT WINDOW

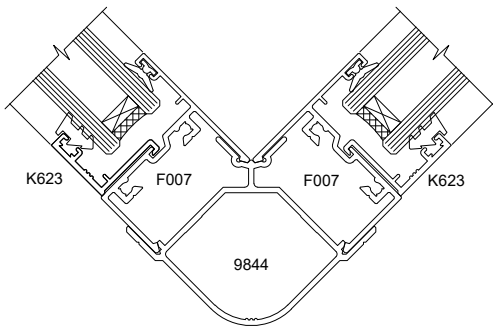
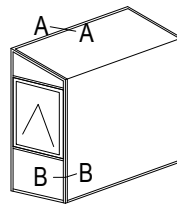
FAIRVIEW SYSTEMS LIMITED SPECIFIERS GUIDE 2014 © TECHNICAL SPECIFICATIONS & PROFILE DETAILS SUBJECT TO CHANGE WITHOUT NOTICE

ARCHITECTURAL LINEAR 35 COMPLETE SUITE

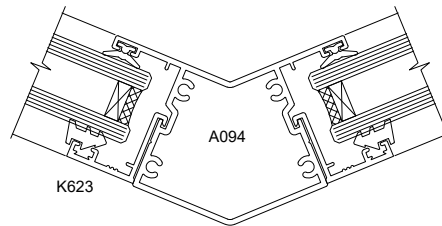
| | |
|--------------------|--------------|
| DATE 12.06.2018 | SCALE 1:2 |
| REF. AL35.0002 | |



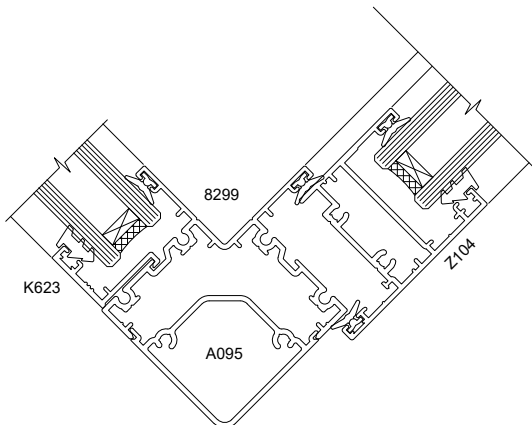
SECTION A-A



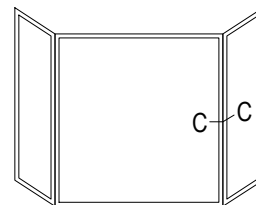
SECTION B-B



SECTION C-C



SECTION B-B



BOX & BAY WINDOW

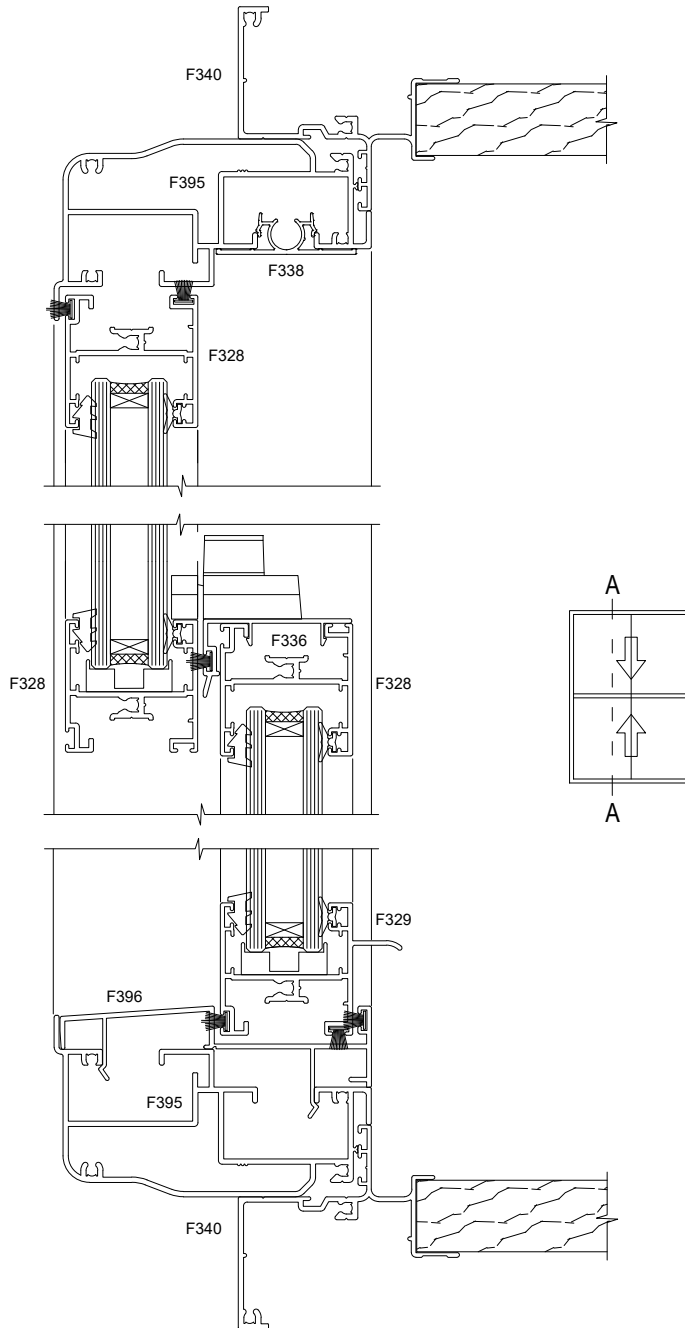
FAIRVIEW SYSTEMS LIMITED SPECIFIERS GUIDE 2014 © TECHNICAL SPECIFICATIONS & PROFILE DETAILS SUBJECT TO CHANGE WITHOUT NOTICE

ARCHITECTURAL LINEAR 35 COMPLETE SUITE

DATE
12.06.2018

SCALE
1:2

REF. AL35.0003



SECTION A-A

DOUBLE HUNG WINDOW

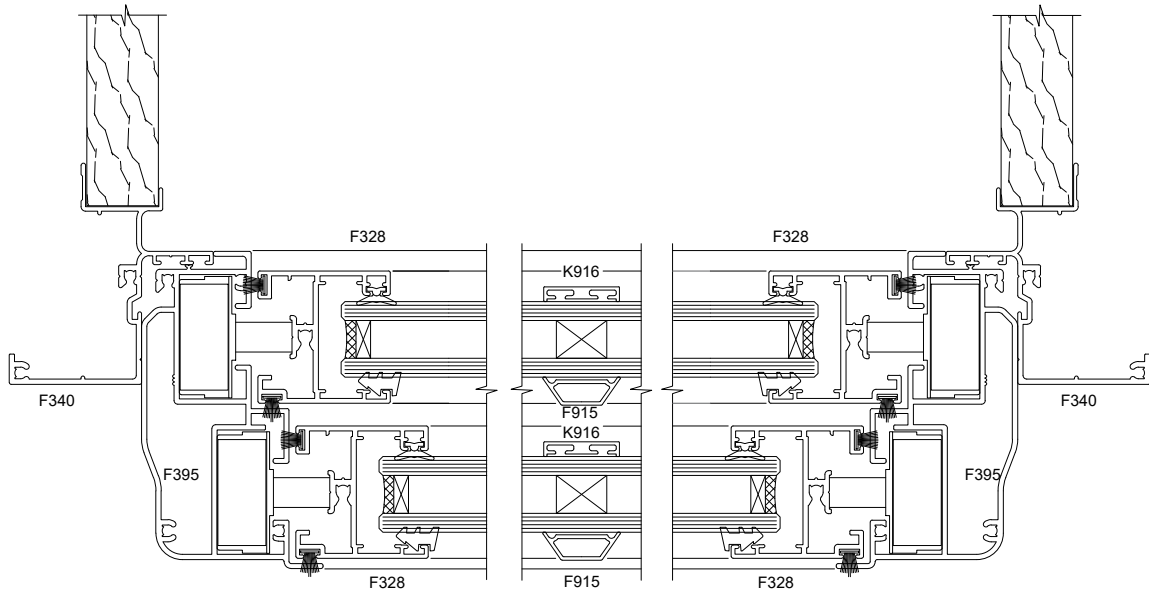
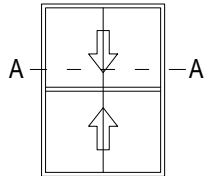
FAIRVIEW SYSTEMS LIMITED SPECIFIERS GUIDE 2014 © TECHNICAL SPECIFICATIONS & PROFILE DETAILS SUBJECT TO CHANGE WITHOUT NOTICE

ARCHITECTURAL LINEAR 35 COMPLETE SUITE

DATE
12.06.2018

SCALE
1:2

REF. AL35.0011



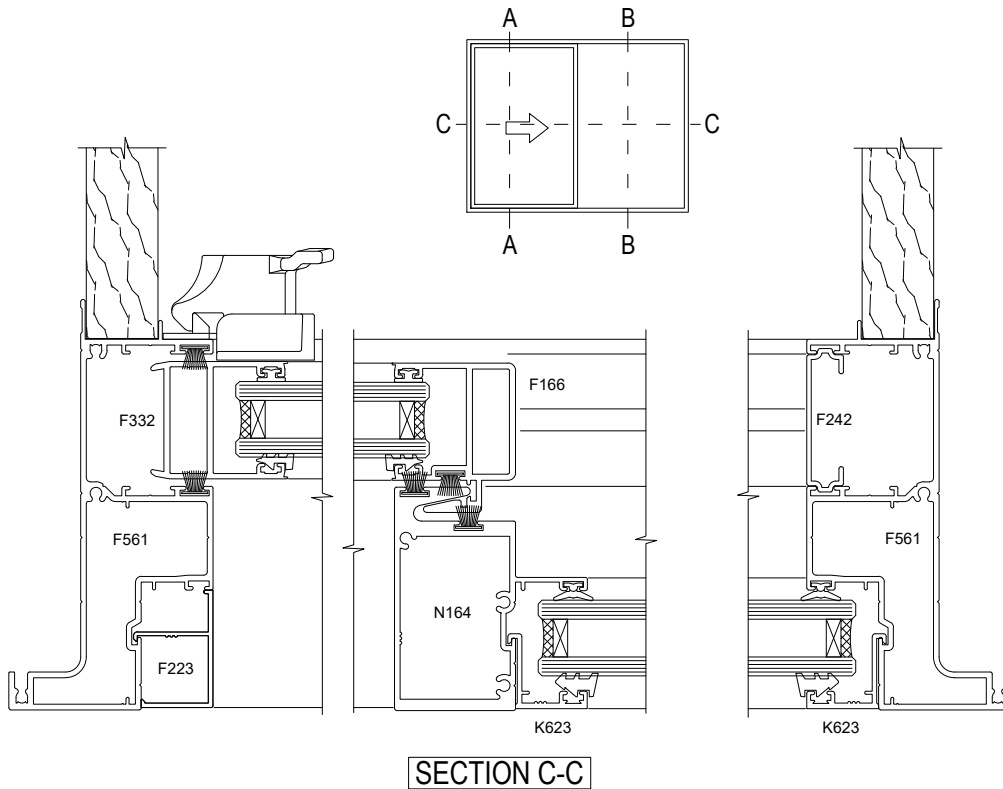
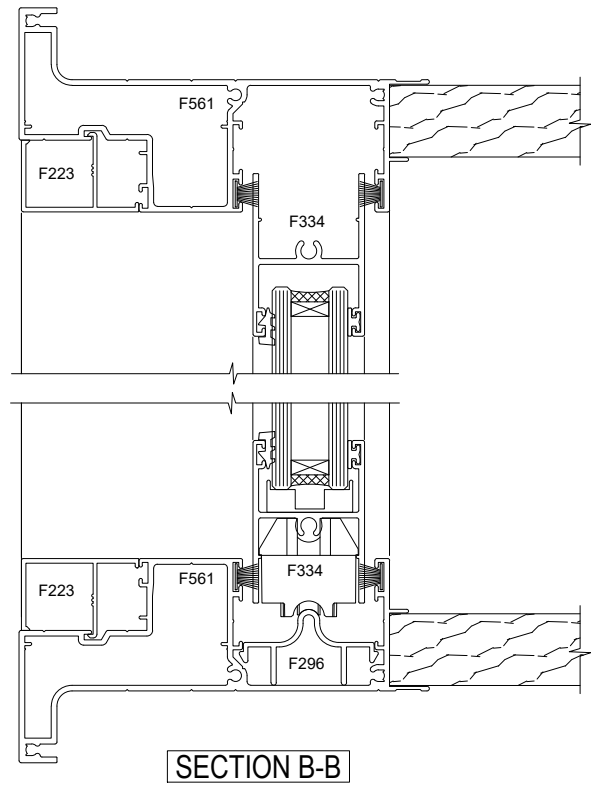
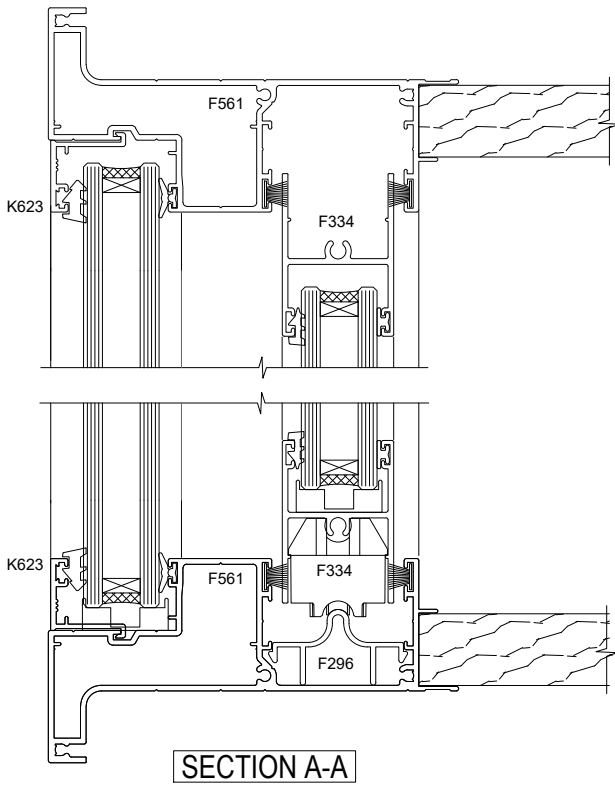
SECTION A-A

DOUBLE HUNG WINDOW

FAIRVIEW SYSTEMS LIMITED SPECIFIERS GUIDE 2014 © TECHNICAL SPECIFICATIONS & PROFILE DETAILS SUBJECT TO CHANGE WITHOUT NOTICE

ARCHITECTURAL LINEAR 35 COMPLETE SUITE

| | |
|--------------------|--------------|
| DATE 12.06.2018 | SCALE 1:2 |
| REF. AL35.0012 | |

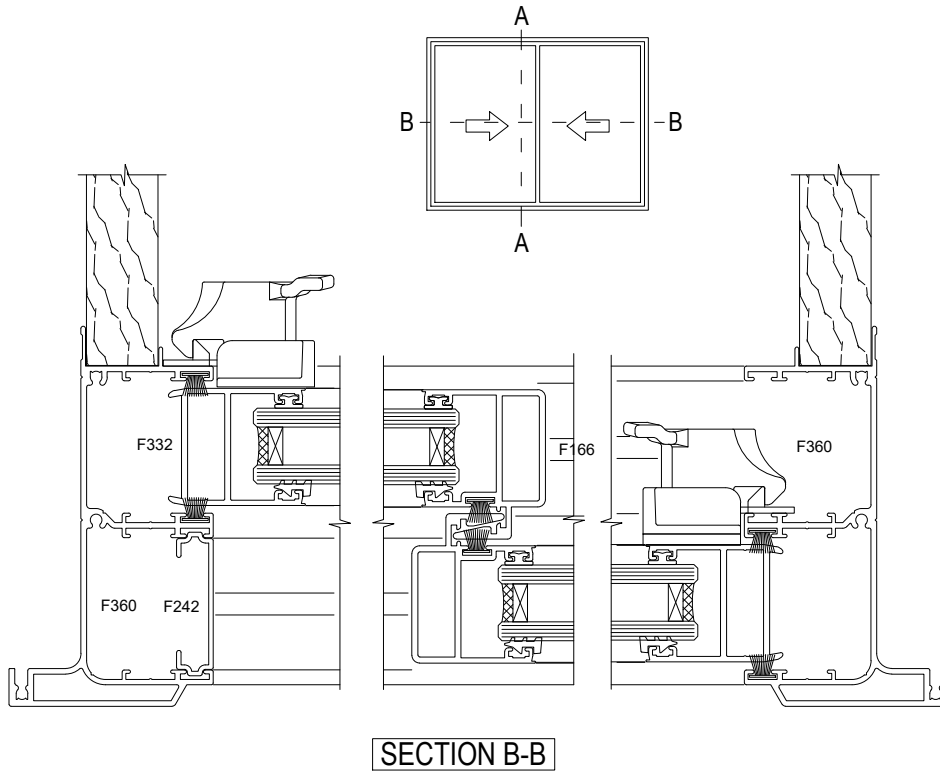
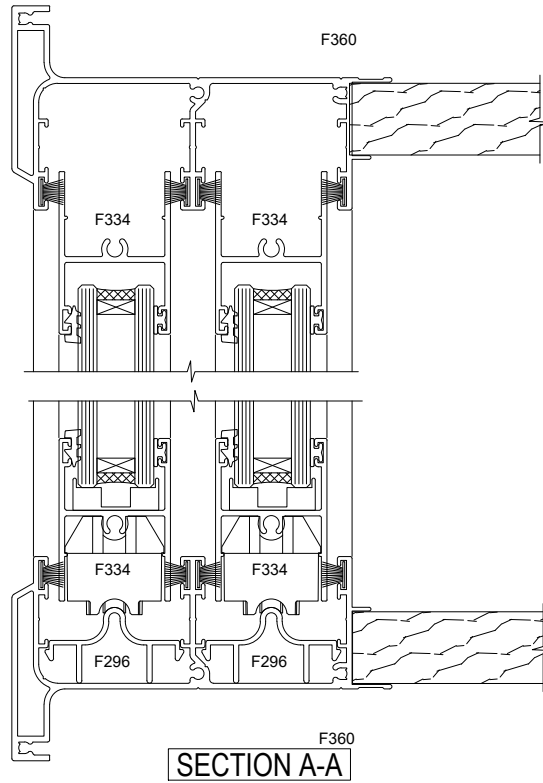


SLIDING WINDOW

FAIRVIEW SYSTEMS LIMITED SPECIFIERS GUIDE 2014 © TECHNICAL SPECIFICATIONS & PROFILE DETAILS SUBJECT TO CHANGE WITHOUT NOTICE

ARCHITECTURAL LINEAR 35 COMPLETE SUITE

| | |
|--------------------|--------------|
| DATE 12.06.2018 | SCALE 1:2 |
| REF. AL35.0021 | |

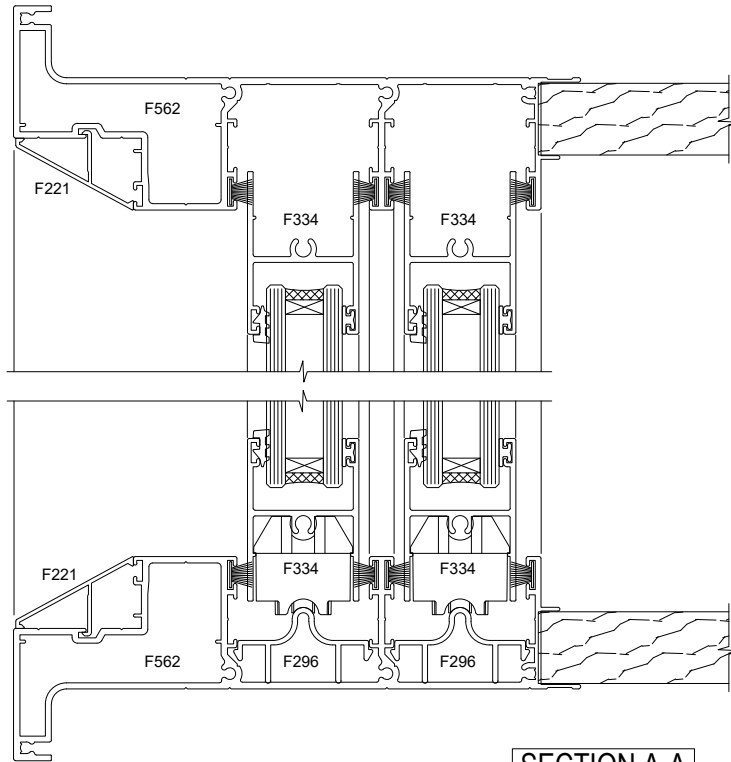


SLIDING WINDOW

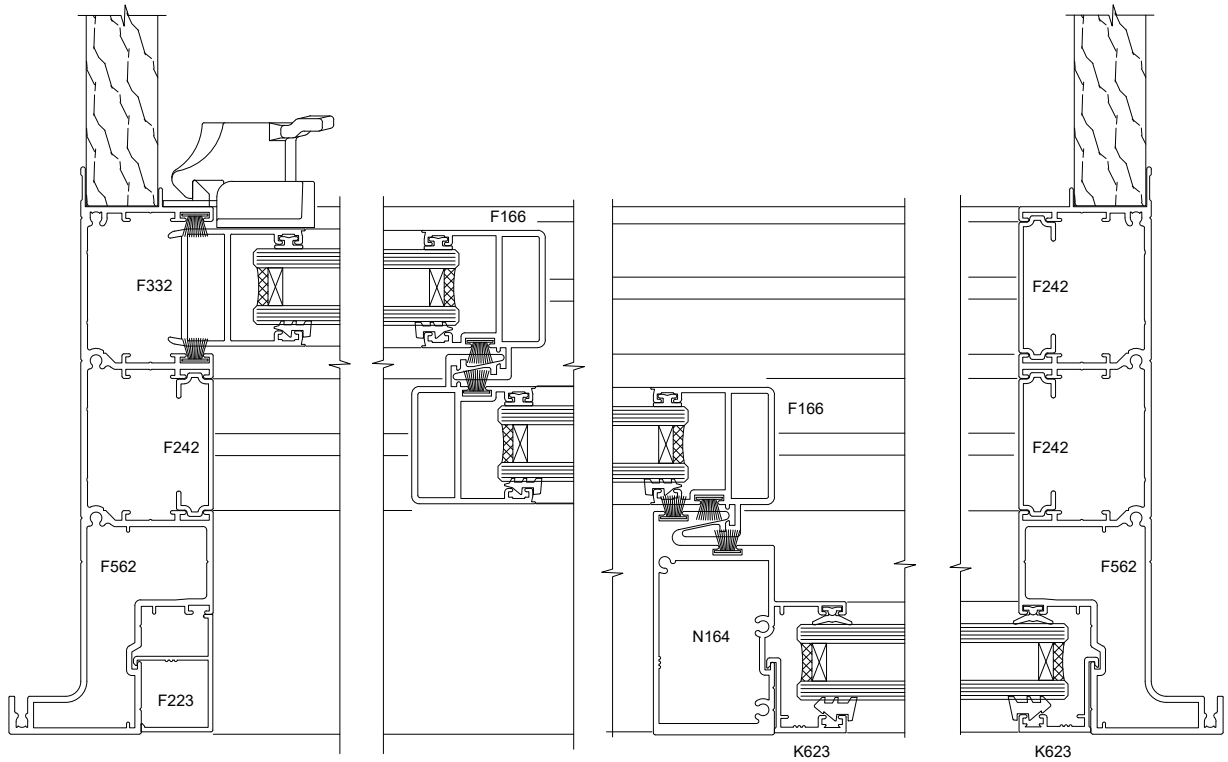
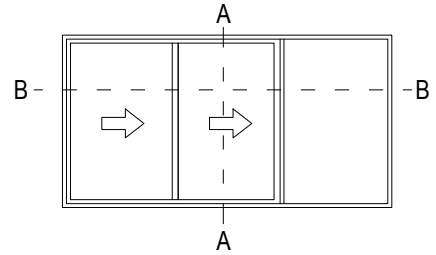
FAIRVIEW SYSTEMS LIMITED SPECIFIERS GUIDE 2014 © TECHNICAL SPECIFICATIONS & PROFILE DETAILS SUBJECT TO CHANGE WITHOUT NOTICE

ARCHITECTURAL LINEAR 35 COMPLETE SUITE

| | |
|--------------------|--------------|
| DATE 12.06.2018 | SCALE 1:2 |
| REF. AL35.0022 | |



SECTION A-A



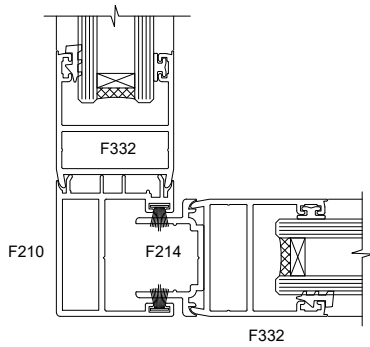
SECTION B-B

SLIDING WINDOW

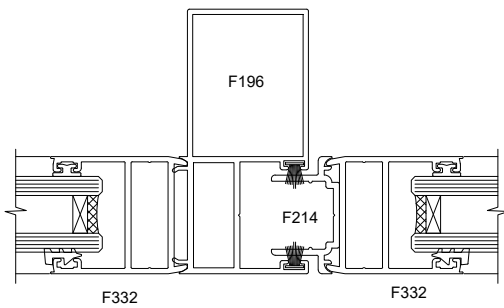
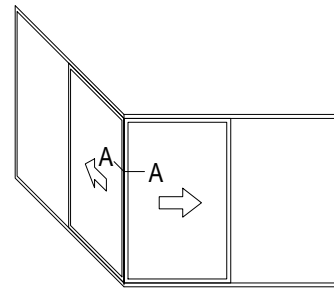
FAIRVIEW SYSTEMS LIMITED SPECIFIERS GUIDE 2014 © TECHNICAL SPECIFICATIONS & PROFILE DETAILS SUBJECT TO CHANGE WITHOUT NOTICE

ARCHITECTURAL LINEAR 35 COMPLETE SUITE

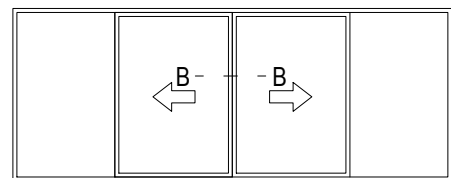
| | |
|--------------------|--------------|
| DATE 12.06.2018 | SCALE 1:2 |
| REF. AL35.0023 | |



SECTION A-A



SECTION B-B

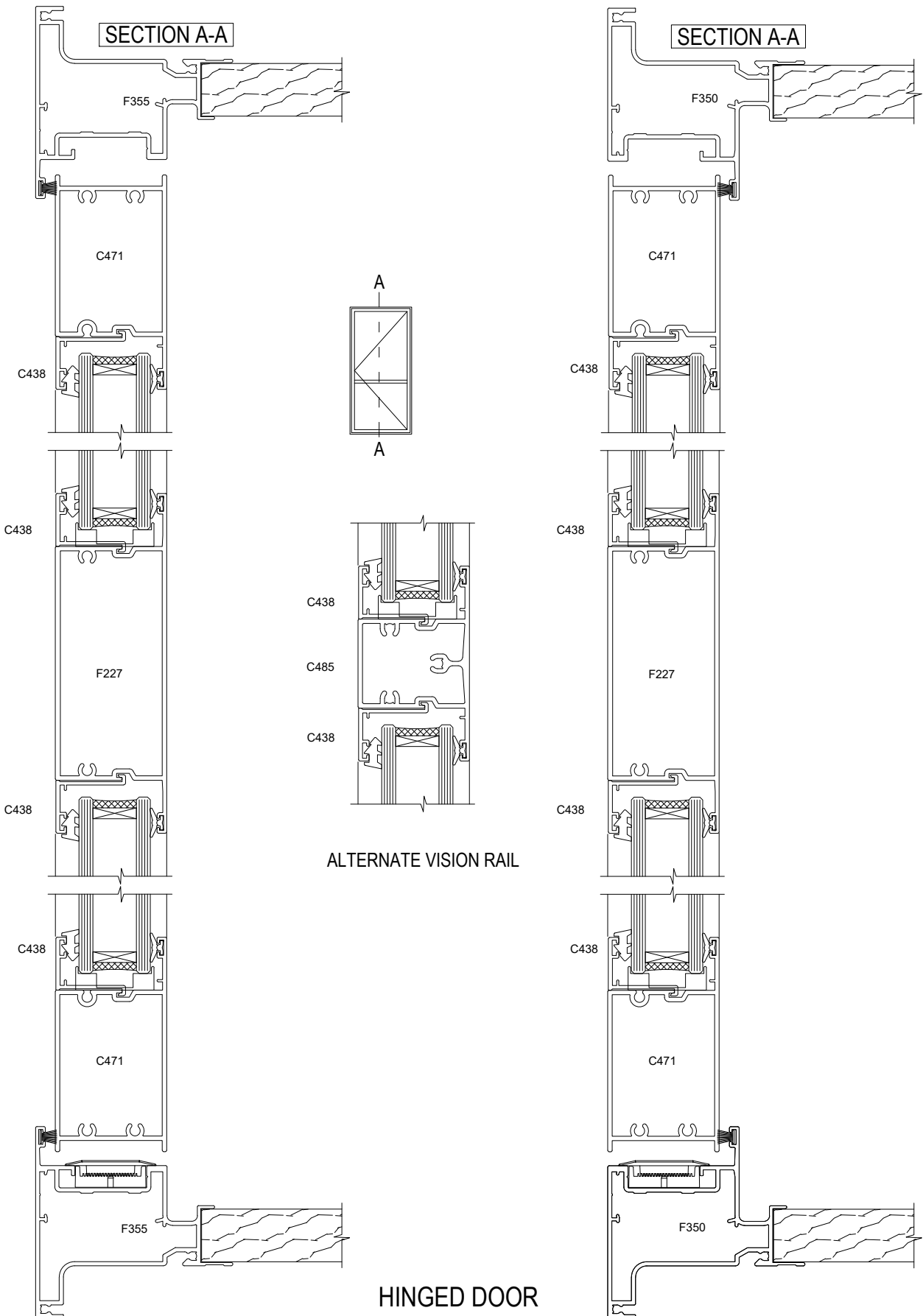


SLIDING WINDOW

FAIRVIEW SYSTEMS LIMITED SPECIFIERS GUIDE 2014 © TECHNICAL SPECIFICATIONS & PROFILE DETAILS SUBJECT TO CHANGE WITHOUT NOTICE

ARCHITECTURAL LINEAR 35 COMPLETE SUITE

| | |
|--------------------|--------------|
| DATE 12.06.2018 | SCALE 1:2 |
| REF. AL35.0024 | |



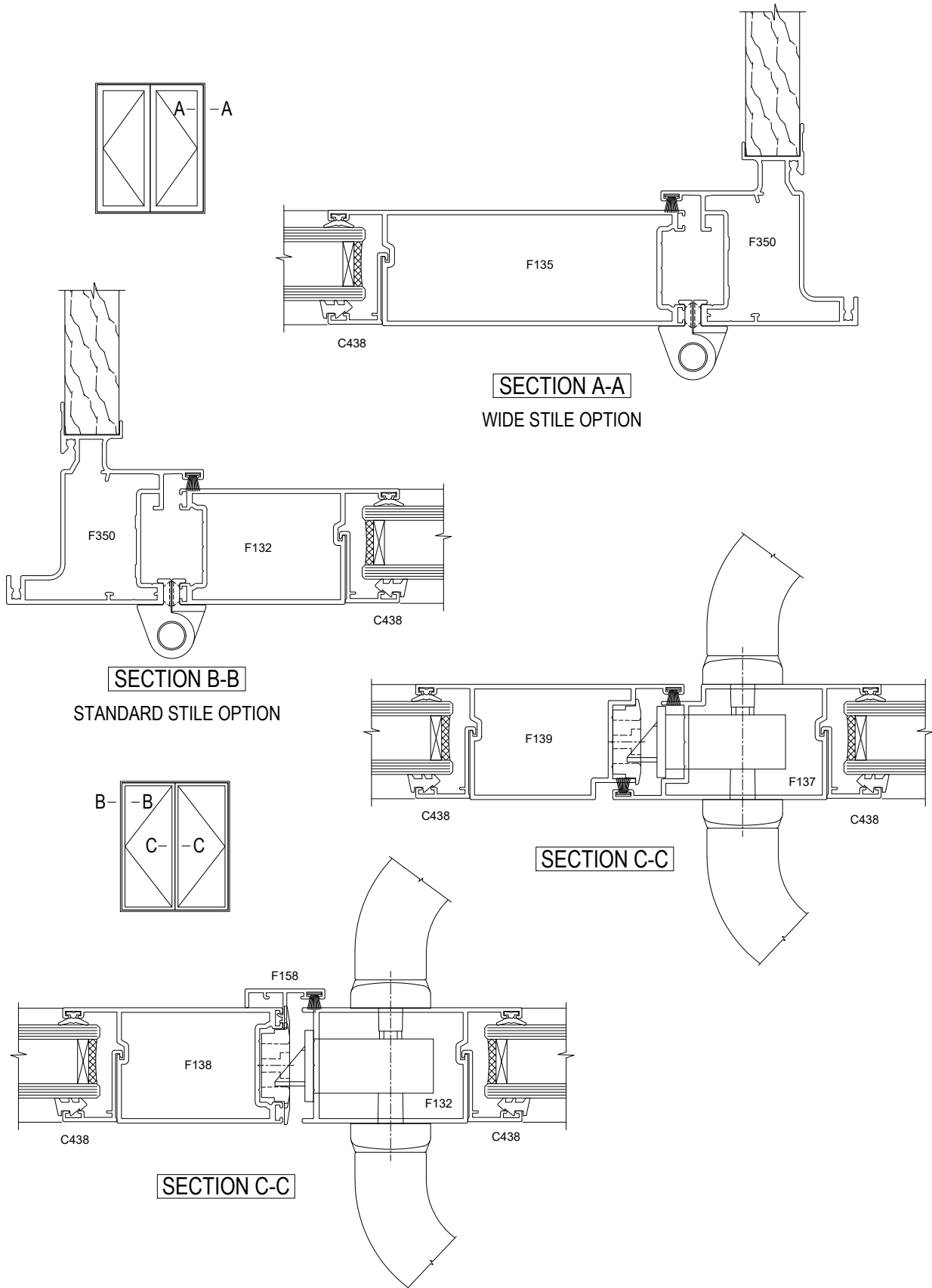
FAIRVIEW SYSTEMS LIMITED SPECIFIERS GUIDE 2014 © TECHNICAL SPECIFICATIONS & PROFILE DETAILS SUBJECT TO CHANGE WITHOUT NOTICE

ARCHITECTURAL LINEAR 35 COMPLETE SUITE

DATE
12.06.2018

SCALE
1:2

REF. AL35.0031



HINGED DOOR

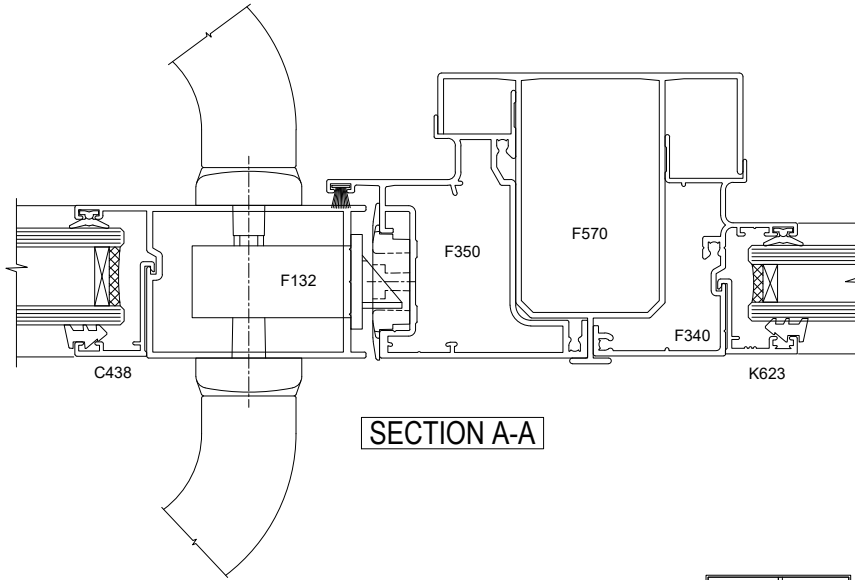
FAIRVIEW SYSTEMS LIMITED SPECIFIERS GUIDE 2014 © TECHNICAL SPECIFICATIONS & PROFILE DETAILS SUBJECT TO CHANGE WITHOUT NOTICE

ARCHITECTURAL LINEAR 35 COMPLETE SUITE

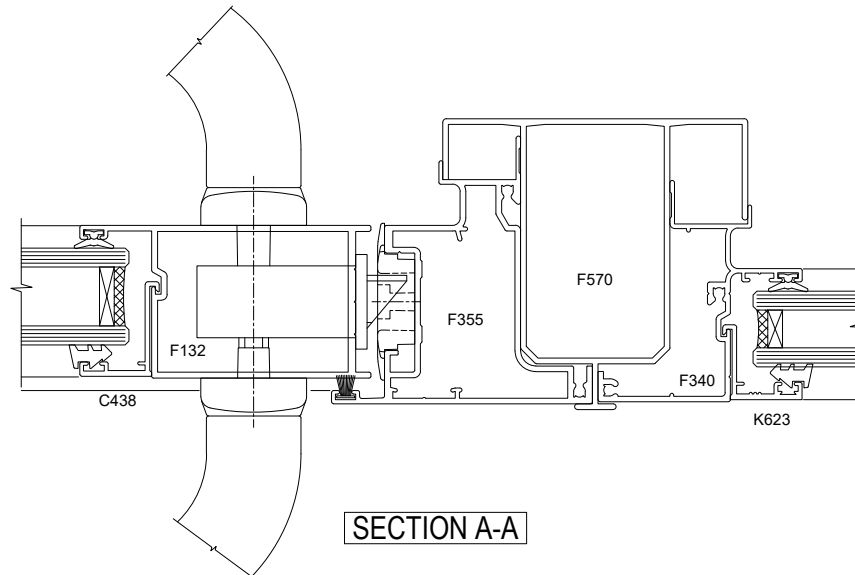
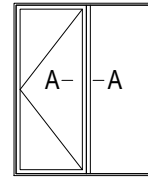
DATE
12.06.2018

SCALE
1:2

REF. AL35.0032



SECTION A-A



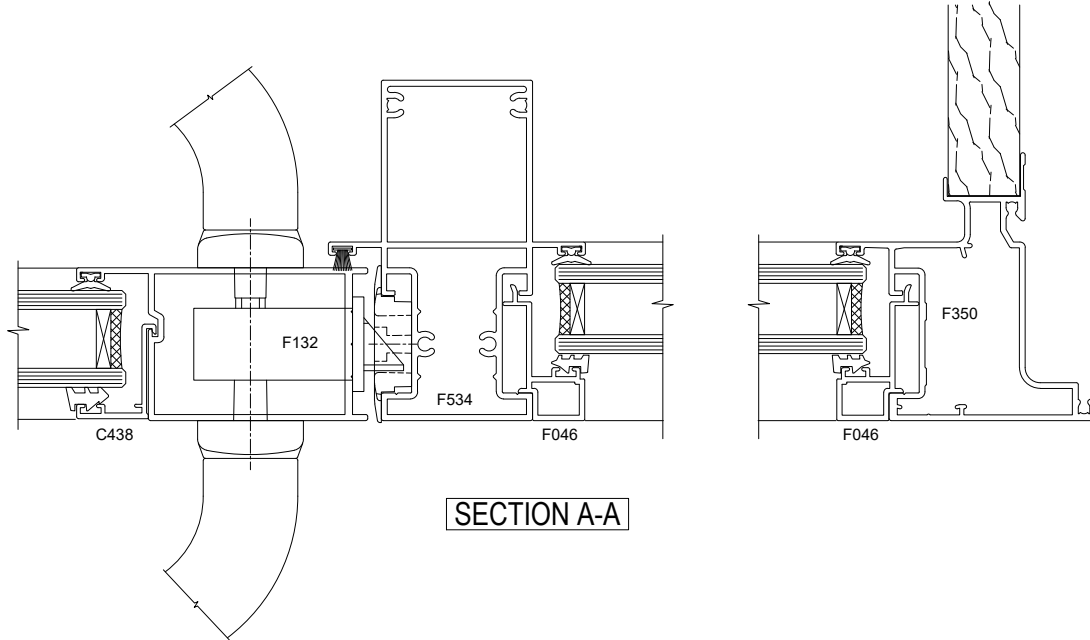
SECTION A-A

HINGED DOOR

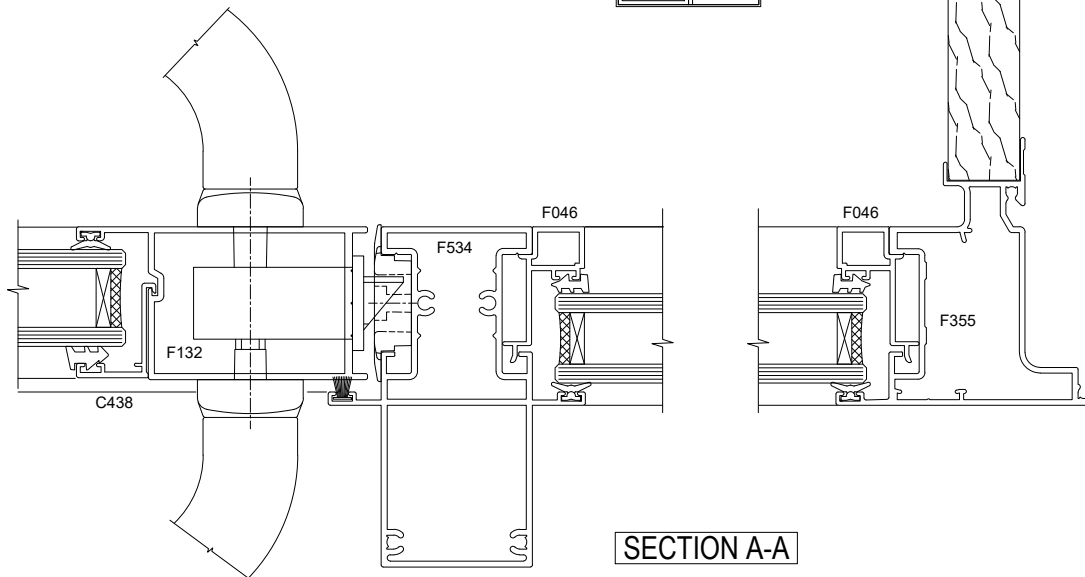
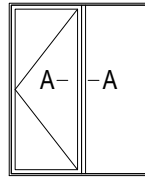
FAIRVIEW SYSTEMS LIMITED SPECIFIERS GUIDE 2014 © TECHNICAL SPECIFICATIONS & PROFILE DETAILS SUBJECT TO CHANGE WITHOUT NOTICE

ARCHITECTURAL LINEAR 35 COMPLETE SUITE

| | |
|--------------------|--------------|
| DATE 12.06.2018 | SCALE 1:2 |
| REF. AL35.0033 | |



SECTION A-A



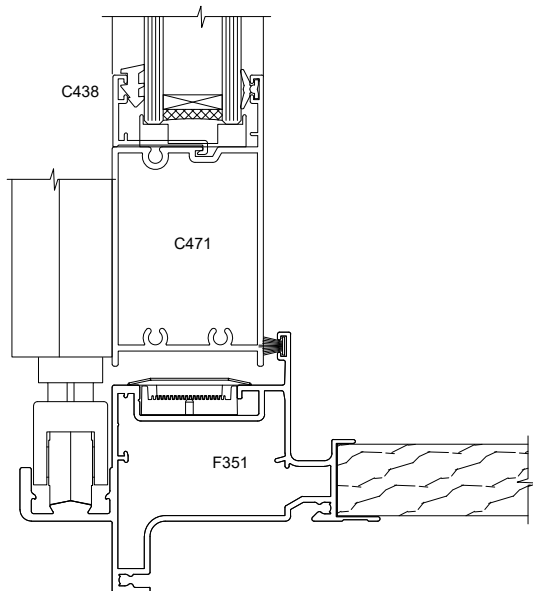
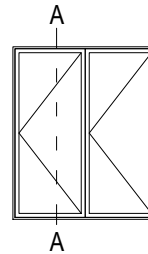
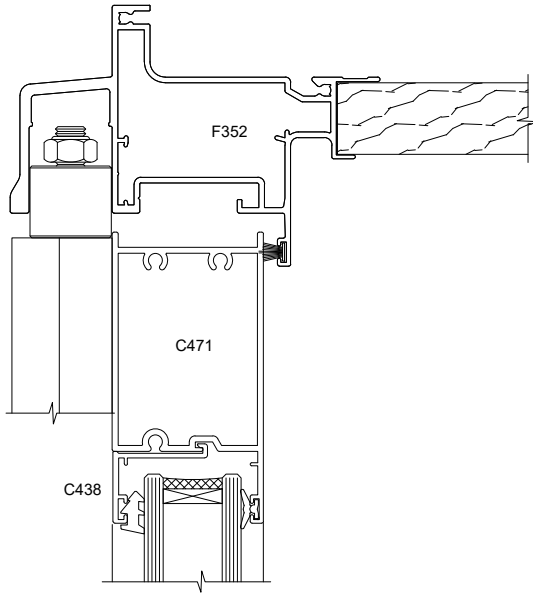
SECTION A-A

HINGED DOOR

FAIRVIEW SYSTEMS LIMITED SPECIFIERS GUIDE 2014 © TECHNICAL SPECIFICATIONS & PROFILE DETAILS SUBJECT TO CHANGE WITHOUT NOTICE

ARCHITECTURAL LINEAR 35 COMPLETE SUITE

| | |
|--------------------|--------------|
| DATE 12.06.2018 | SCALE 1:2 |
| REF. AL35.0034 | |



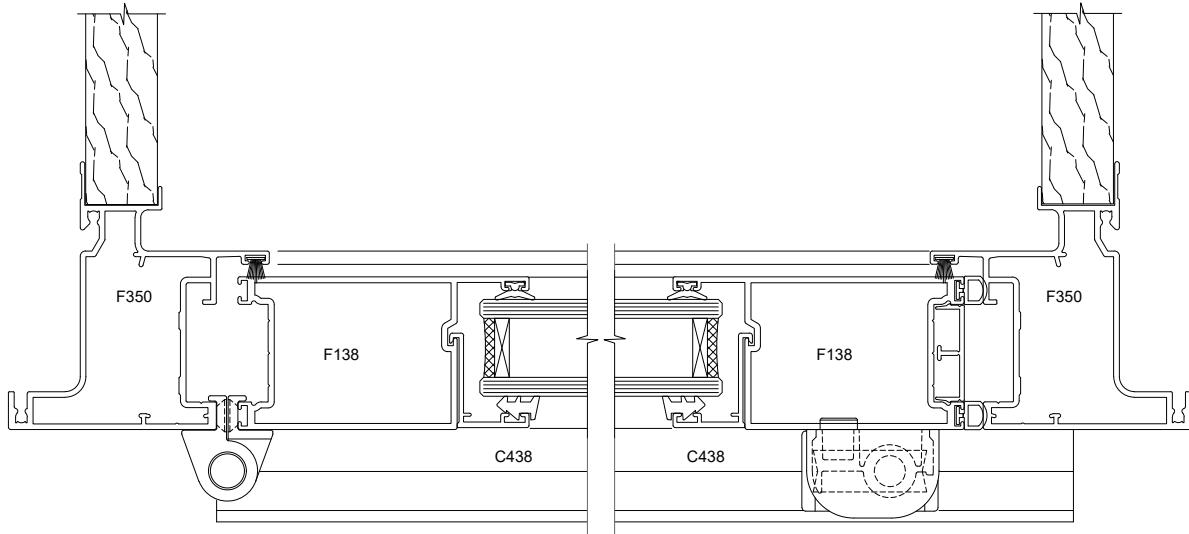
SECTION A-A

BOTTOM ROLLING BI-FOLD DOOR

FAIRVIEW SYSTEMS LIMITED SPECIFIERS GUIDE 2014 © TECHNICAL SPECIFICATIONS & PROFILE DETAILS SUBJECT TO CHANGE WITHOUT NOTICE

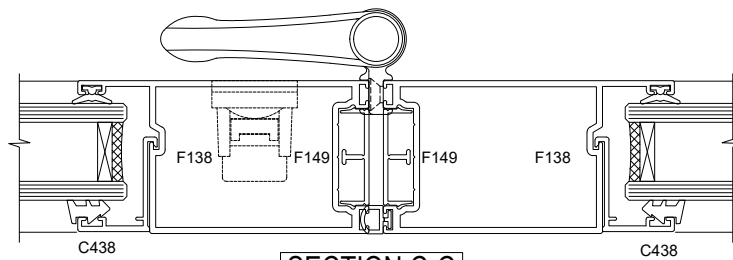
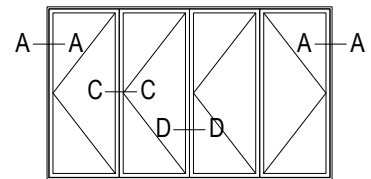
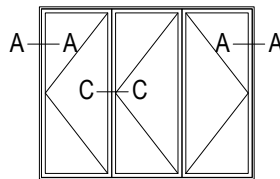
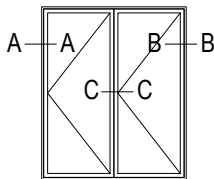
ARCHITECTURAL LINEAR 35 COMPLETE SUITE

| | |
|--------------------|--------------|
| DATE 12.06.2018 | SCALE 1:2 |
| REF. AL35.0041 | |

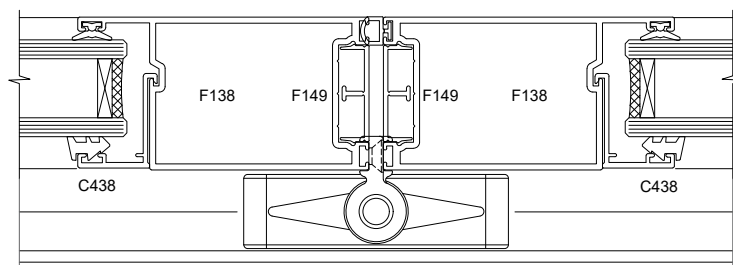


SECTION A-A

SECTION B-B



SECTION C-C



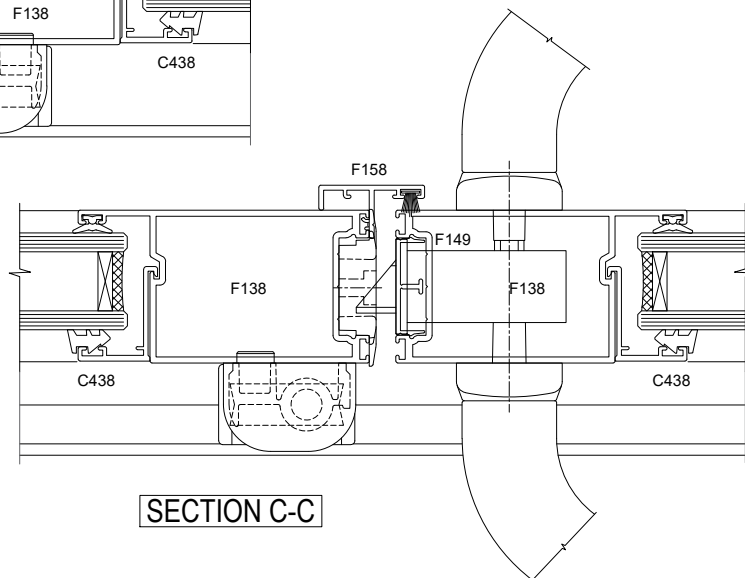
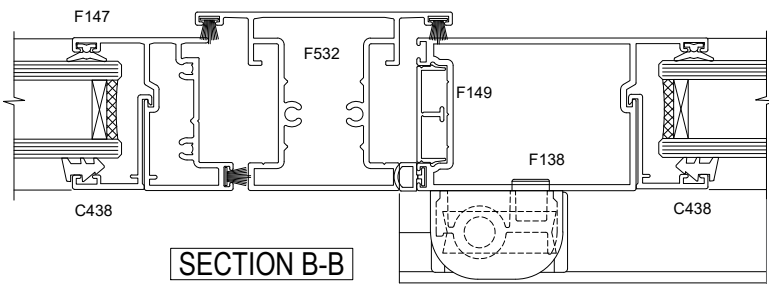
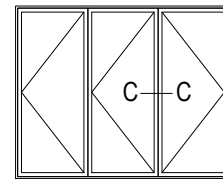
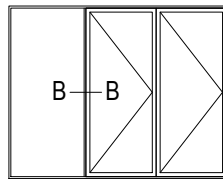
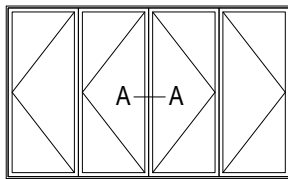
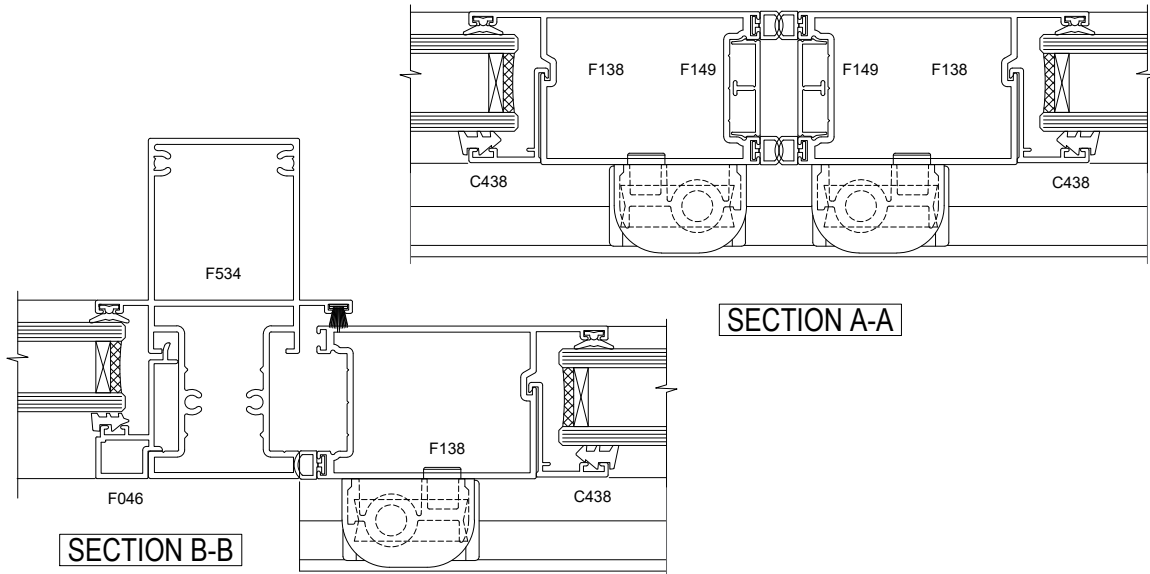
SECTION D-D

BOTTOM ROLLING BI-FOLD DOOR

FAIRVIEW SYSTEMS LIMITED SPECIFIERS GUIDE 2014 © TECHNICAL SPECIFICATIONS & PROFILE DETAILS SUBJECT TO CHANGE WITHOUT NOTICE

ARCHITECTURAL LINEAR 35 COMPLETE SUITE

| | |
|--------------------|--------------|
| DATE 12.06.2018 | SCALE 1:2 |
| REF. AL35.0042 | |

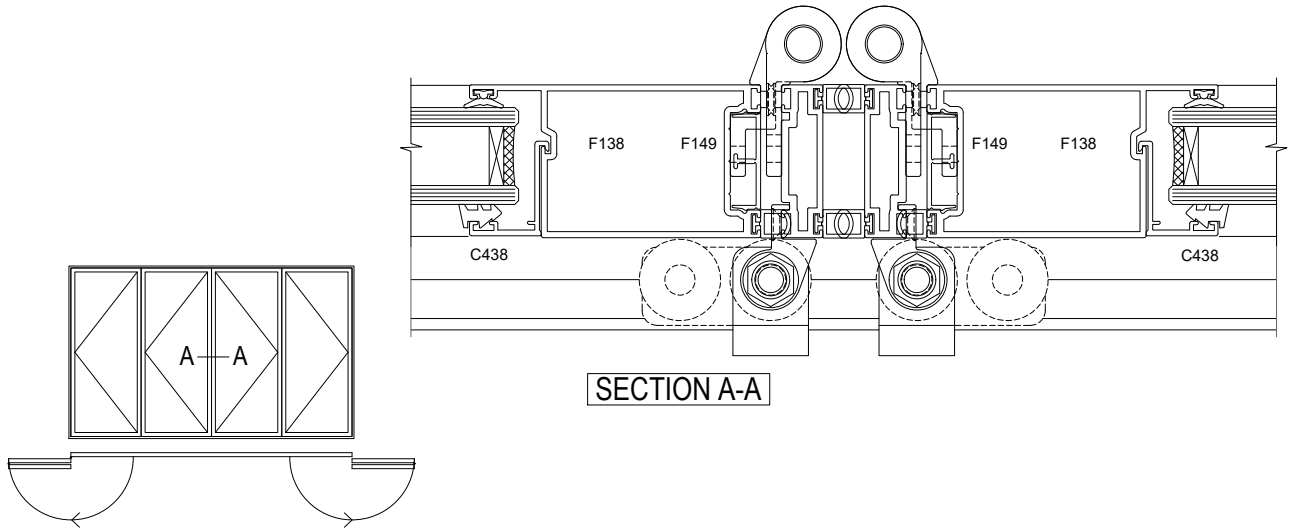


BOTTOM ROLLING BI-FOLD DOOR

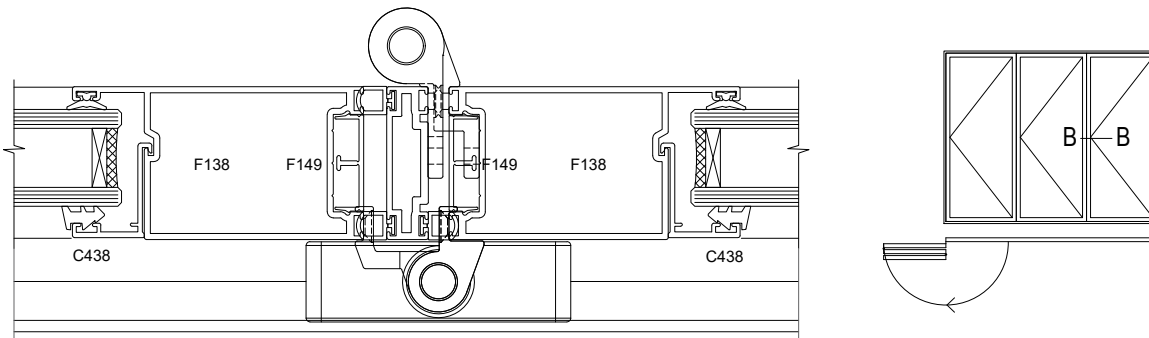
FAIRVIEW SYSTEMS LIMITED SPECIFIERS GUIDE 2014 © TECHNICAL SPECIFICATIONS & PROFILE DETAILS SUBJECT TO CHANGE WITHOUT NOTICE

ARCHITECTURAL LINEAR 35 COMPLETE SUITE

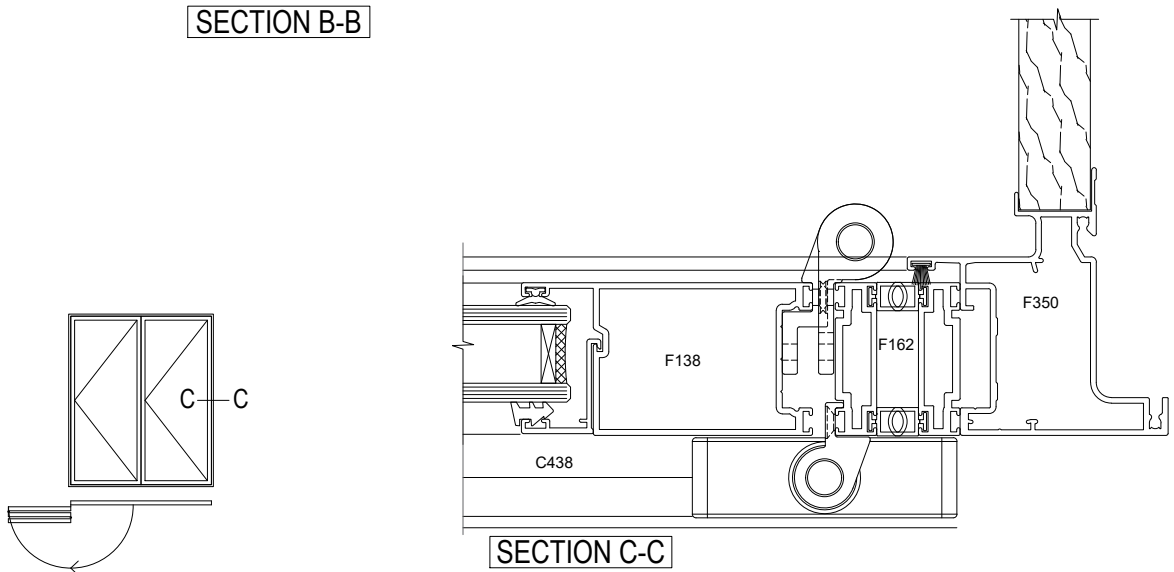
| | |
|--------------------|--------------|
| DATE 12.06.2018 | SCALE 1:2 |
| REF. AL35.0043 | |



SECTION A-A



SECTION B-B



SECTION C-C

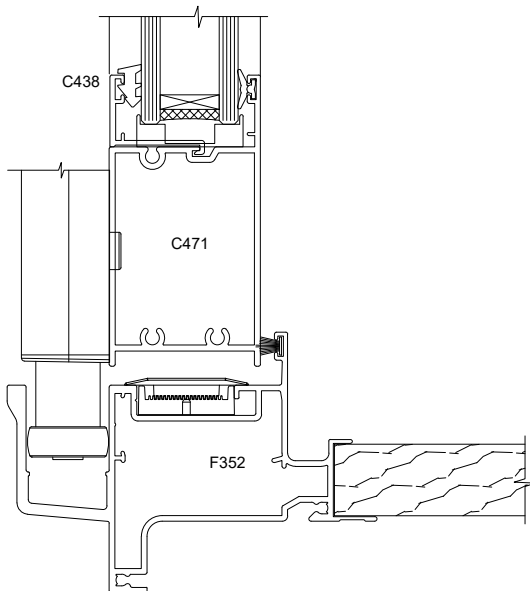
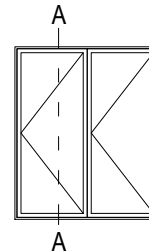
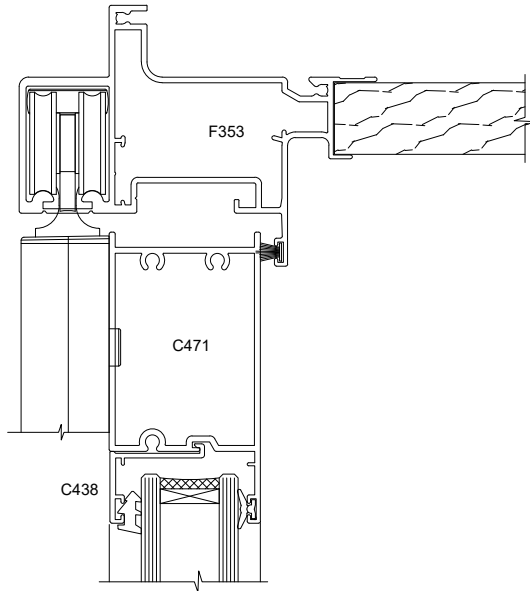
FREEFOLD

BOTTOM ROLLING BI-FOLD DOOR

FAIRVIEW SYSTEMS LIMITED SPECIFIERS GUIDE 2014 © TECHNICAL SPECIFICATIONS & PROFILE DETAILS SUBJECT TO CHANGE WITHOUT NOTICE

ARCHITECTURAL LINEAR 35 COMPLETE SUITE

| | |
|--------------------|--------------|
| DATE 12.06.2018 | SCALE 1:2 |
| REF. AL35.0044 | |



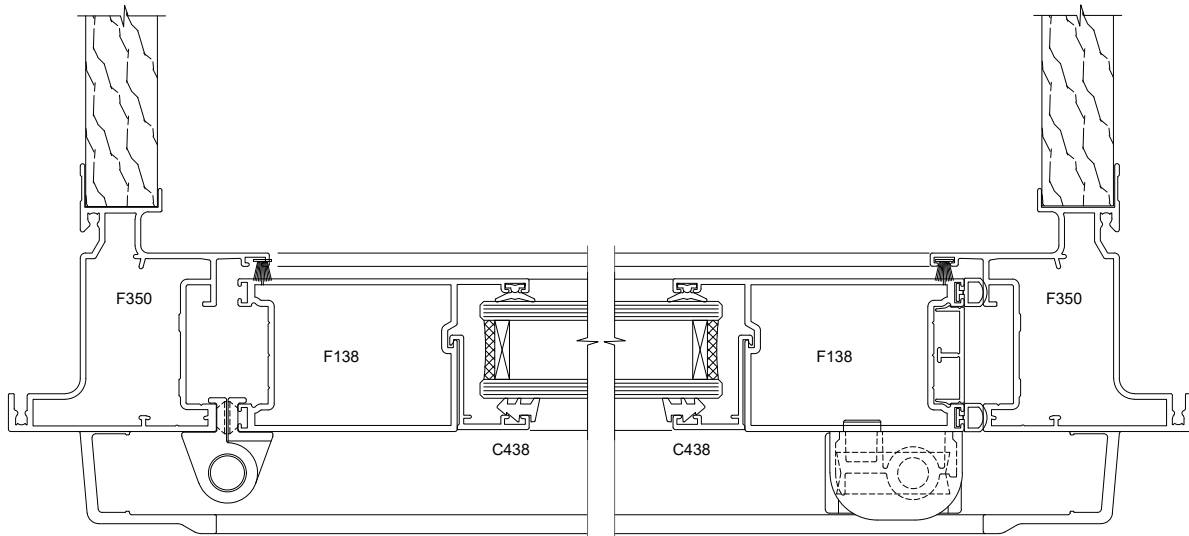
SECTION A-A

TOP HUNG CHANEL GUIDE BI-FOLD DOOR

FAIRVIEW SYSTEMS LIMITED SPECIFIERS GUIDE 2014 © TECHNICAL SPECIFICATIONS & PROFILE DETAILS SUBJECT TO CHANGE WITHOUT NOTICE

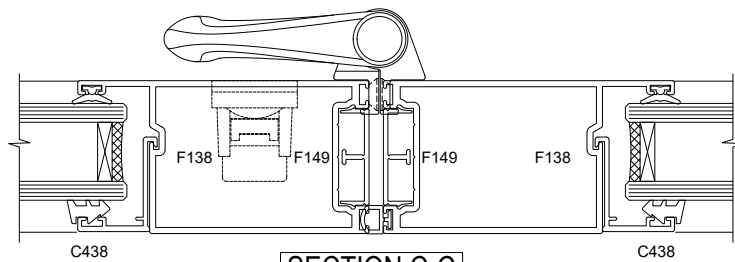
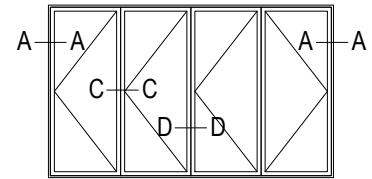
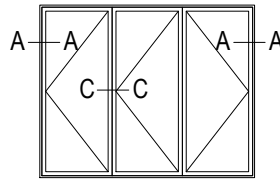
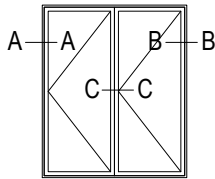
ARCHITECTURAL LINEAR 35 COMPLETE SUITE

| | |
|--------------------|--------------|
| DATE 12.06.2018 | SCALE 1:2 |
| REF. AL35.0051 | |

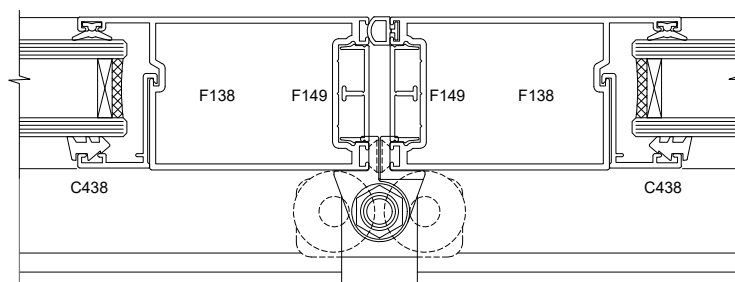


SECTION A-A

SECTION B-B



SECTION C-C



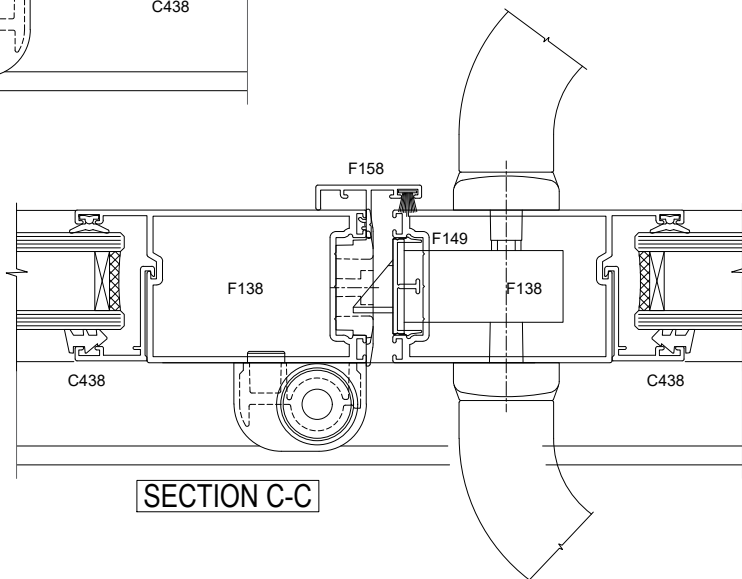
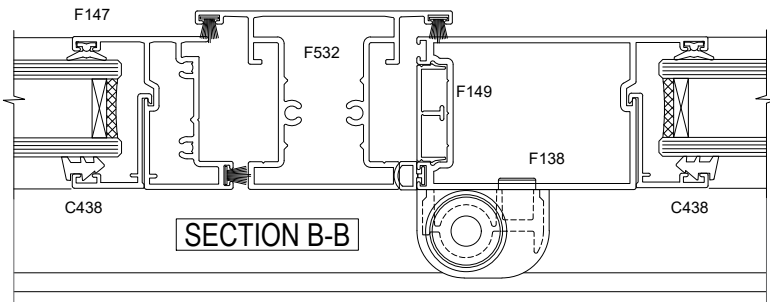
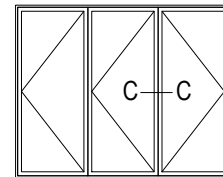
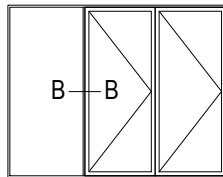
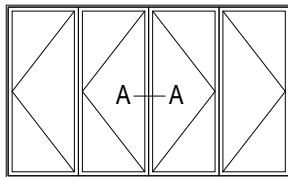
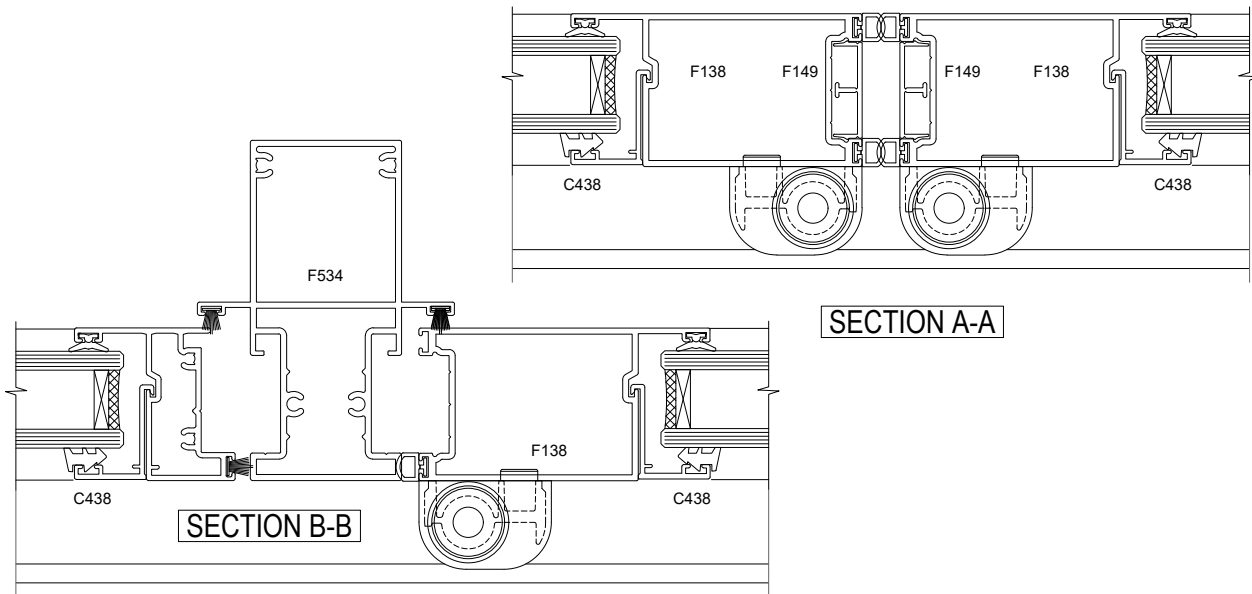
SECTION D-D

TOP HUNG CHANEL GUIDE BI-FOLD DOOR

FAIRVIEW SYSTEMS LIMITED SPECIFIERS GUIDE 2014 © TECHNICAL SPECIFICATIONS & PROFILE DETAILS SUBJECT TO CHANGE WITHOUT NOTICE

ARCHITECTURAL LINEAR 35 COMPLETE SUITE

| | |
|--------------------|--------------|
| DATE 12.06.2018 | SCALE 1:2 |
| REF. AL35.0052 | |

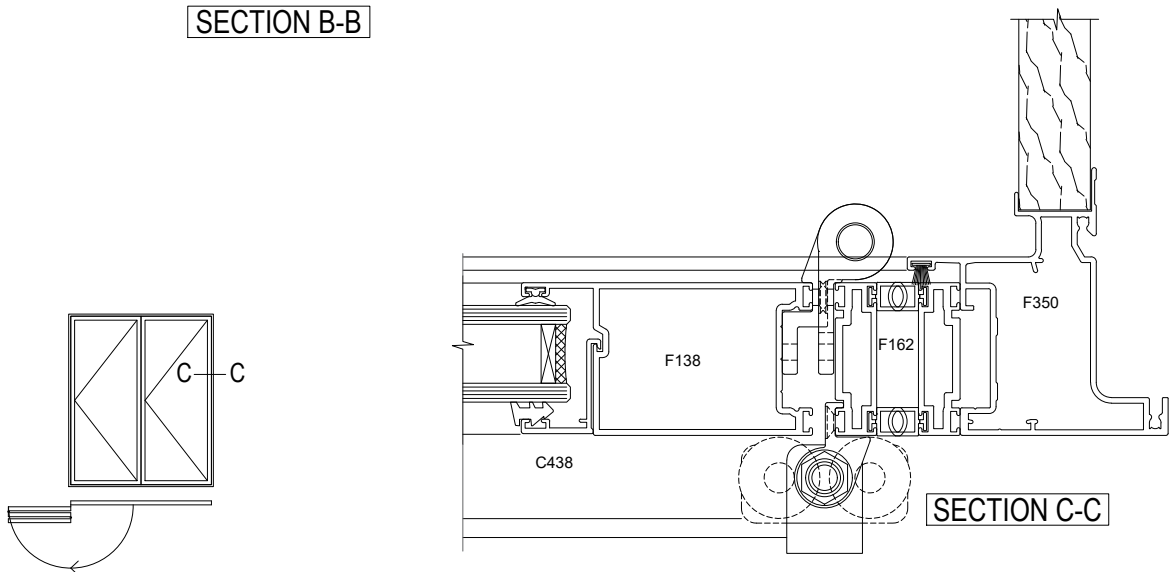
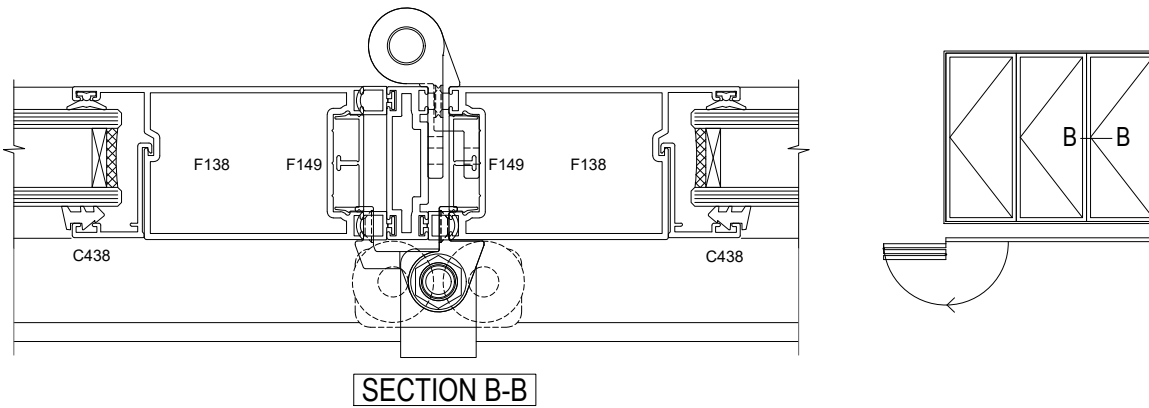
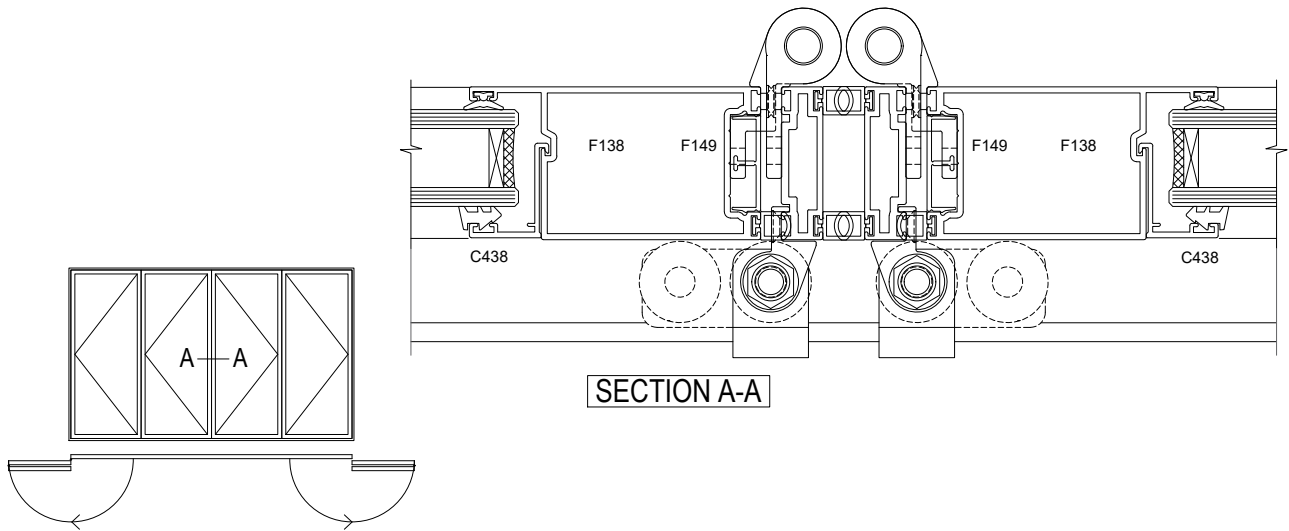


TOP HUNG CHANEL GUIDE BI-FOLD DOOR

FAIRVIEW SYSTEMS LIMITED SPECIFIERS GUIDE 2014 © TECHNICAL SPECIFICATIONS & PROFILE DETAILS SUBJECT TO CHANGE WITHOUT NOTICE

ARCHITECTURAL LINEAR 35 COMPLETE SUITE

| | |
|--------------------|--------------|
| DATE 12.06.2018 | SCALE 1:2 |
| REF. AL35.0053 | |



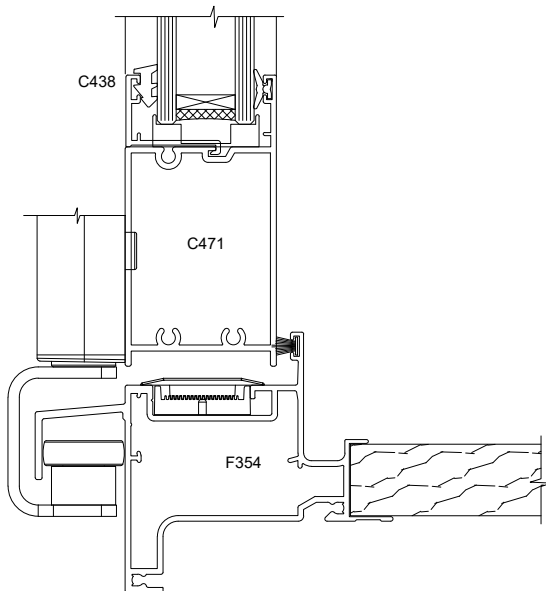
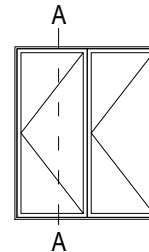
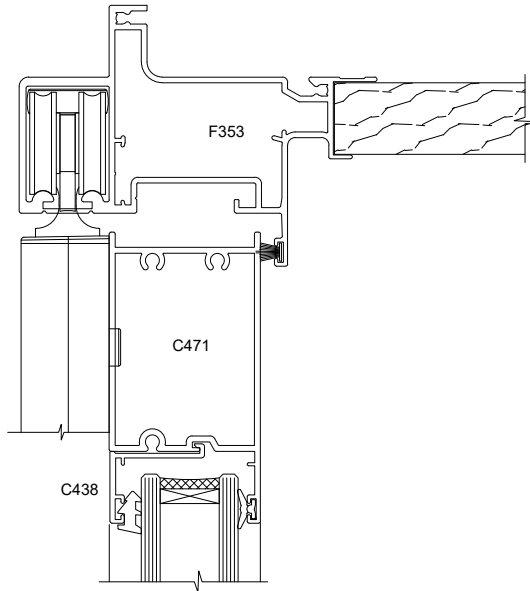
FREEFOLD

TOP HUNG CHANEL GUIDE BI-FOLD DOOR

FAIRVIEW SYSTEMS LIMITED SPECIFIERS GUIDE 2014 © TECHNICAL SPECIFICATIONS & PROFILE DETAILS SUBJECT TO CHANGE WITHOUT NOTICE

ARCHITECTURAL LINEAR 35 COMPLETE SUITE

| | |
|--------------------|--------------|
| DATE 12.06.2018 | SCALE 1:2 |
| REF. AL35.0054 | |



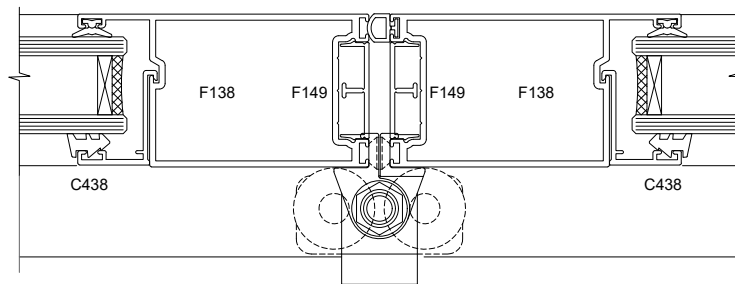
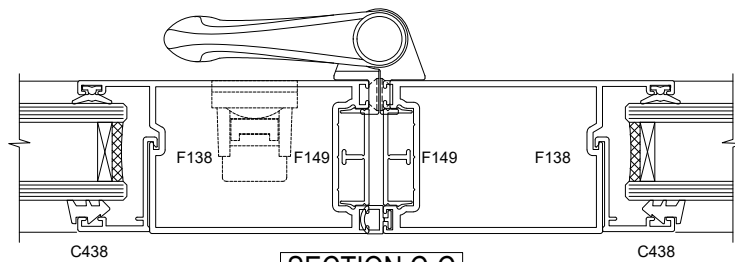
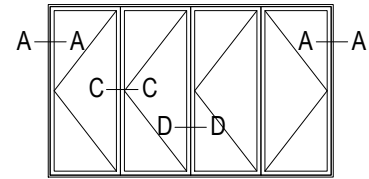
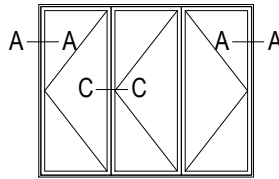
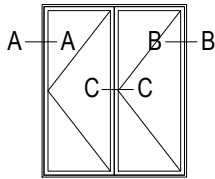
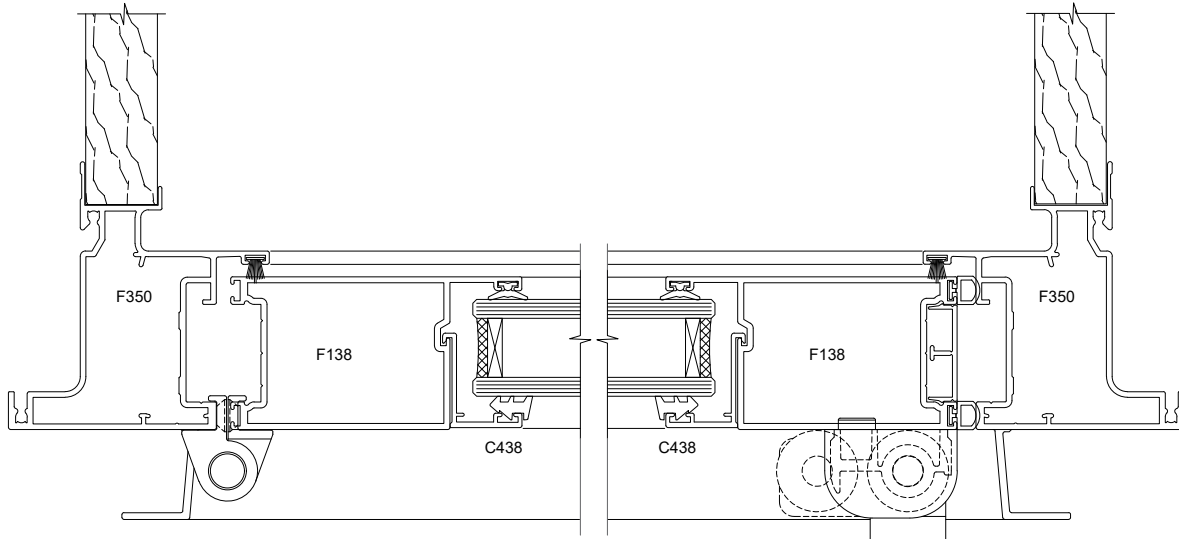
SECTION A-A

TOP HUNG HOODED GUIDE BI-FOLD DOOR

FAIRVIEW SYSTEMS LIMITED SPECIFIERS GUIDE 2014 © TECHNICAL SPECIFICATIONS & PROFILE DETAILS SUBJECT TO CHANGE WITHOUT NOTICE

ARCHITECTURAL LINEAR 35 COMPLETE SUITE

| | |
|--------------------|--------------|
| DATE 12.06.2018 | SCALE 1:2 |
| REF. AL35.0061 | |

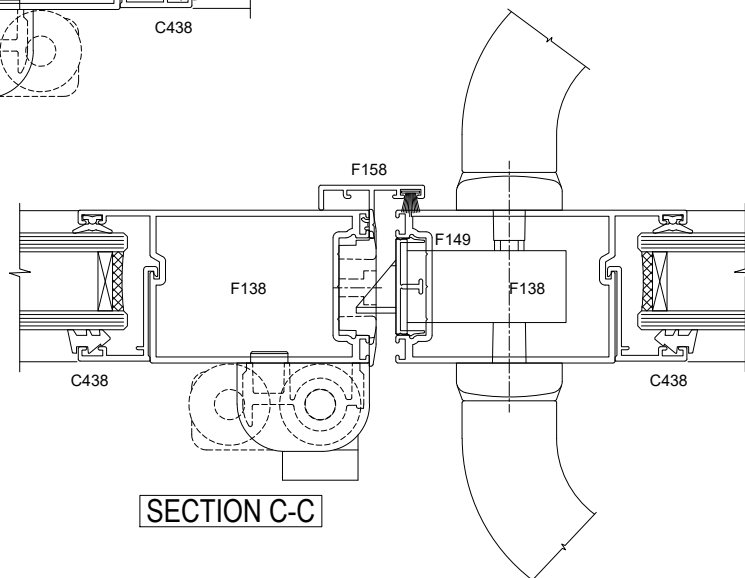
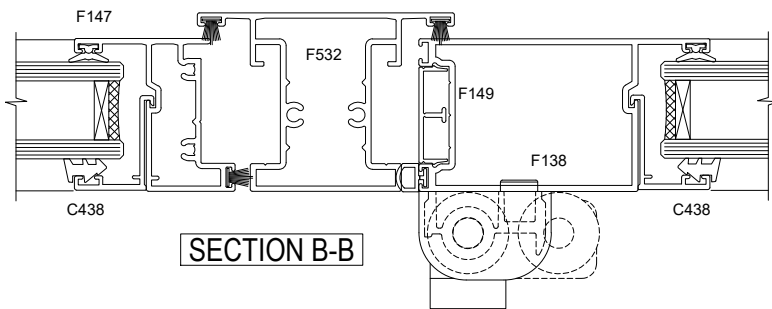
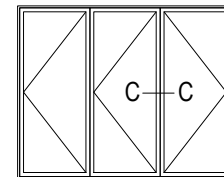
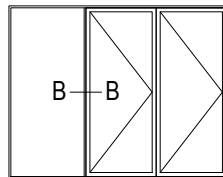
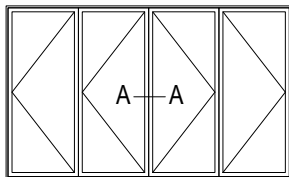
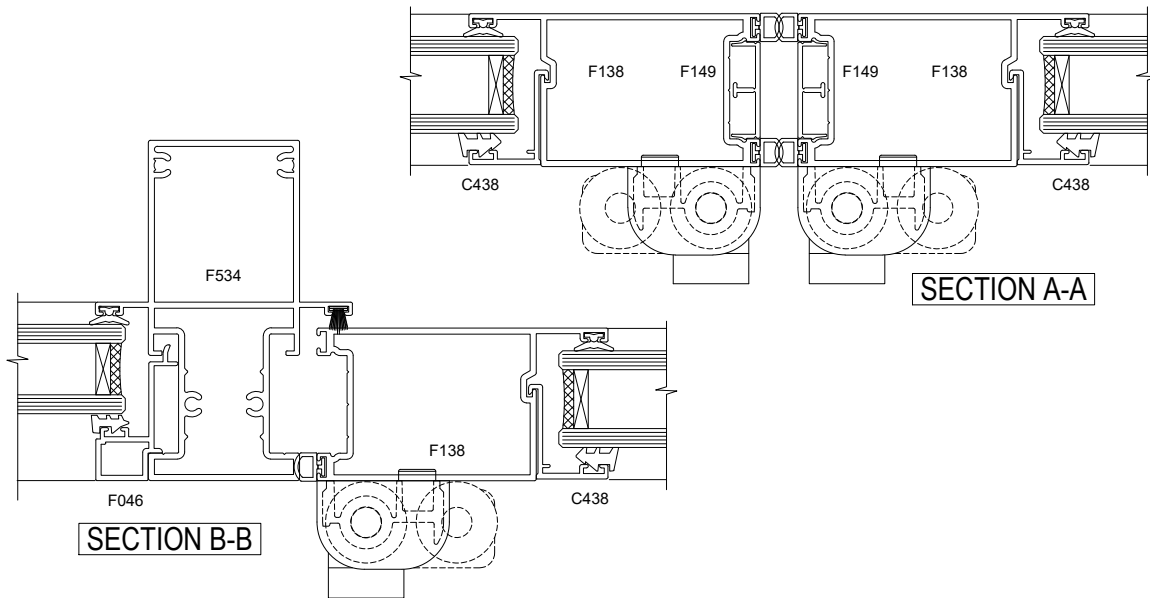


TOP HUNG HOODED GUIDE BI-FOLD DOOR

FAIRVIEW SYSTEMS LIMITED SPECIFIERS GUIDE 2014 © TECHNICAL SPECIFICATIONS & PROFILE DETAILS SUBJECT TO CHANGE WITHOUT NOTICE

ARCHITECTURAL LINEAR 35 COMPLETE SUITE

| | |
|--------------------|--------------|
| DATE 12.06.2018 | SCALE 1:2 |
| REF. AL35.0062 | |

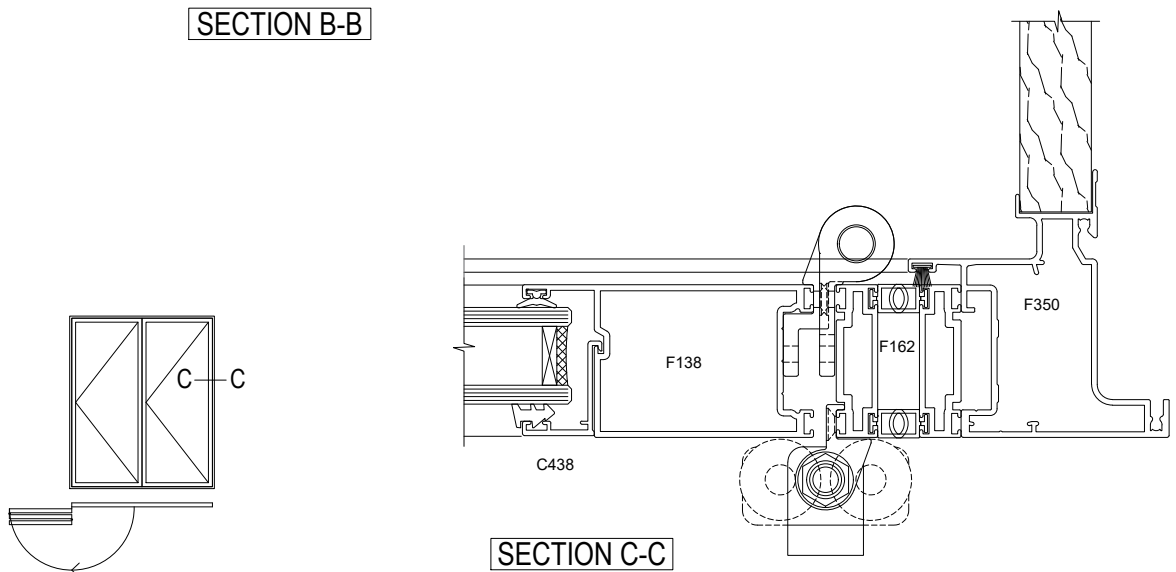
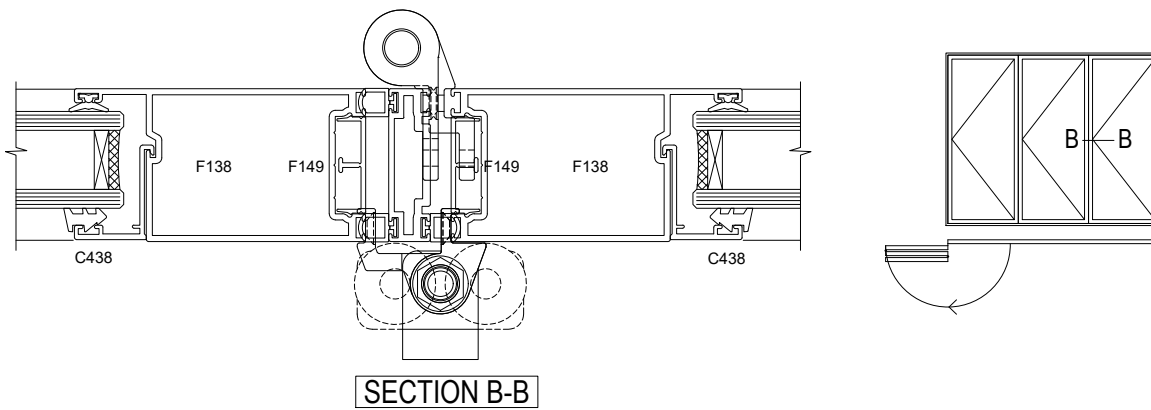
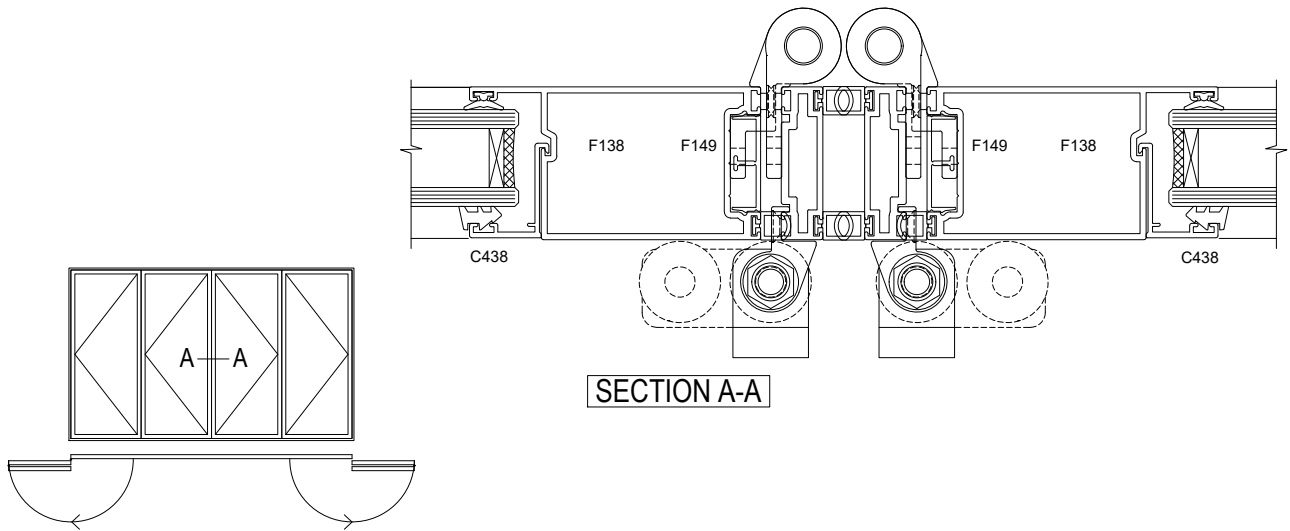


TOP HUNG HOODED GUIDE BI-FOLD DOOR

FAIRVIEW SYSTEMS LIMITED SPECIFIERS GUIDE 2014 © TECHNICAL SPECIFICATIONS & PROFILE DETAILS SUBJECT TO CHANGE WITHOUT NOTICE

ARCHITECTURAL LINEAR 35 COMPLETE SUITE

| | |
|--------------------|--------------|
| DATE 12.06.2018 | SCALE 1:2 |
| REF. AL35.0063 | |



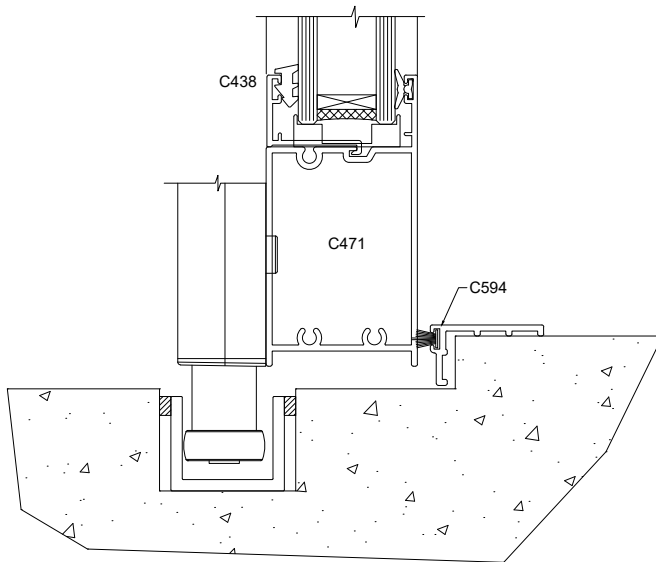
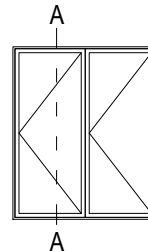
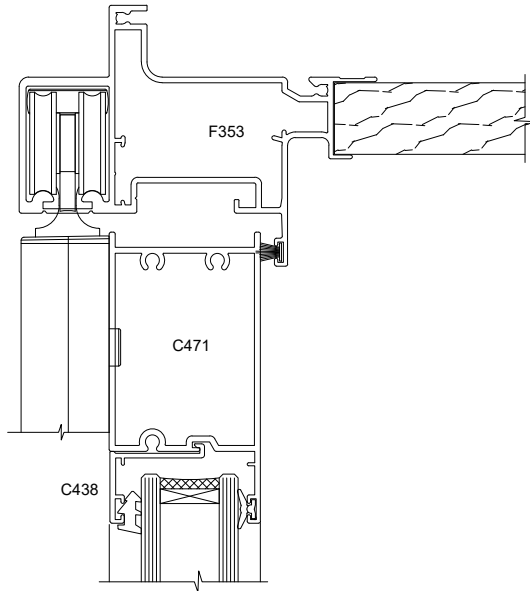
FREEFOLD

TOP HUNG HOODED GUIDE BI-FOLD DOOR

FAIRVIEW SYSTEMS LIMITED SPECIFIERS GUIDE 2014 © TECHNICAL SPECIFICATIONS & PROFILE DETAILS SUBJECT TO CHANGE WITHOUT NOTICE

ARCHITECTURAL LINEAR 35 COMPLETE SUITE

| | |
|--------------------|--------------|
| DATE 12.06.2018 | SCALE 1:2 |
| REF. AL35.0064 | |



SECTION A-A

TOP HUNG NON-WEATHERED GUIDE BI-FOLD DOOR

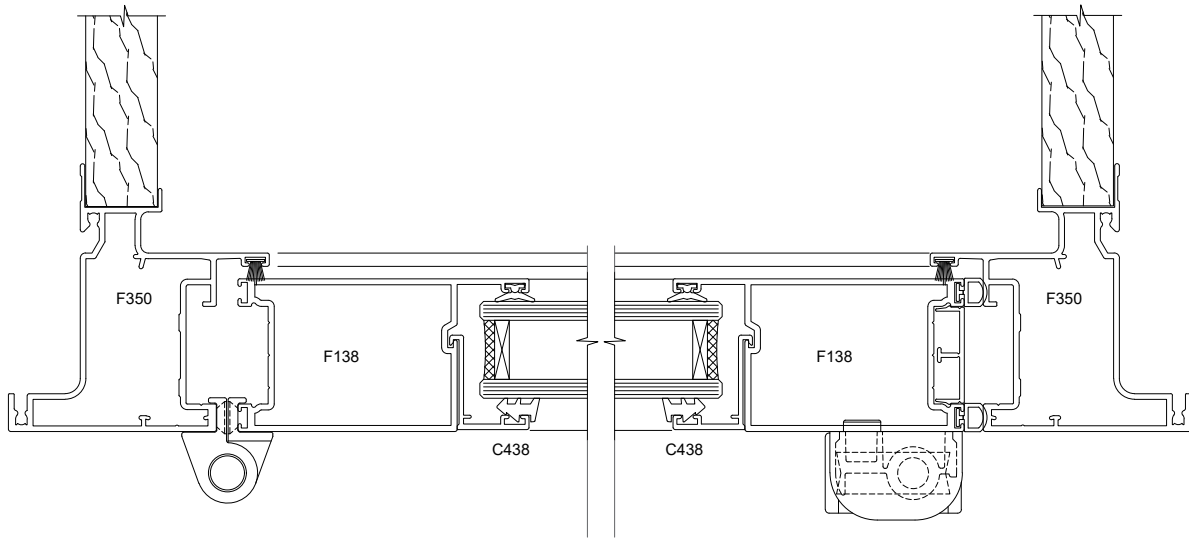
FAIRVIEW SYSTEMS LIMITED SPECIFIERS GUIDE 2014 © TECHNICAL SPECIFICATIONS & PROFILE DETAILS SUBJECT TO CHANGE WITHOUT NOTICE

ARCHITECTURAL LINEAR 35 COMPLETE SUITE

DATE
12.06.2018

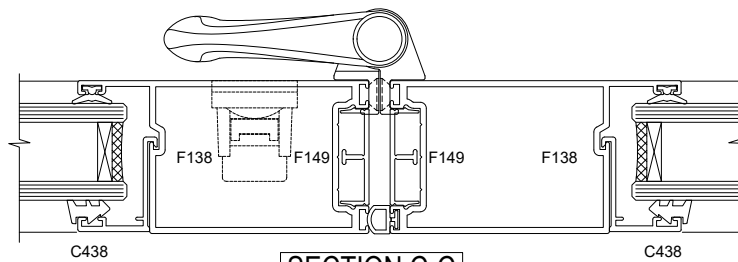
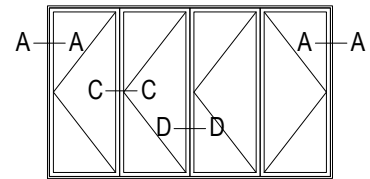
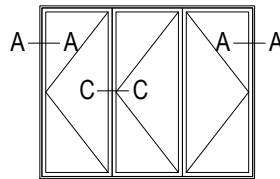
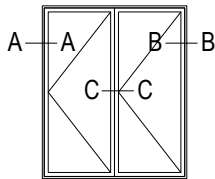
SCALE
1:2

REF. AL35.0071

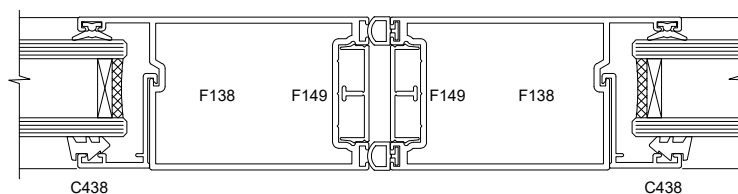


SECTION A-A

SECTION B-B



SECTION C-C



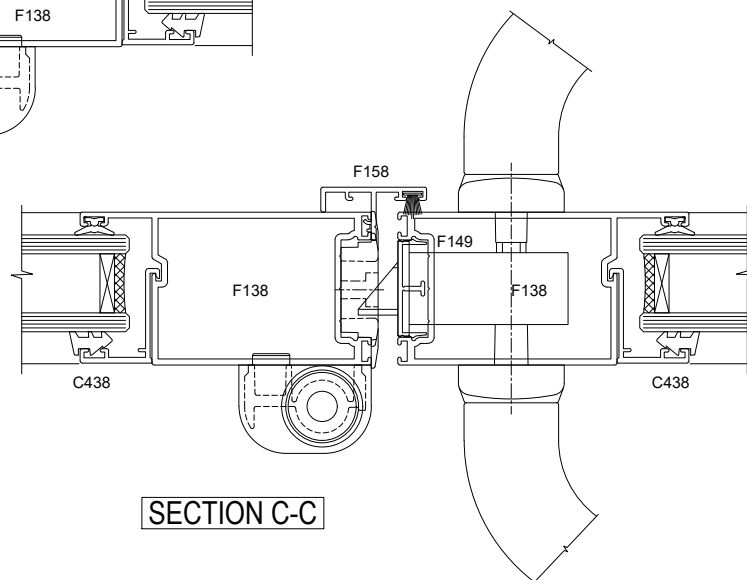
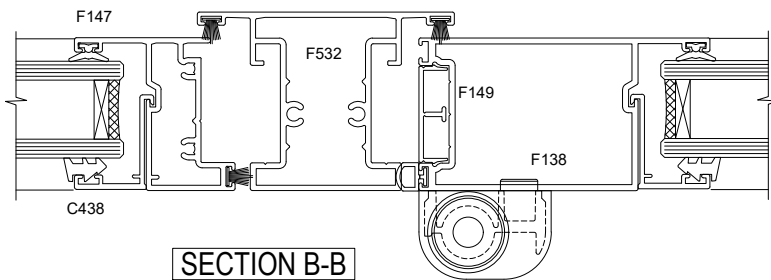
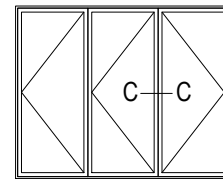
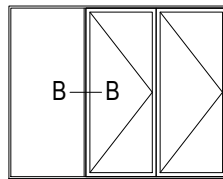
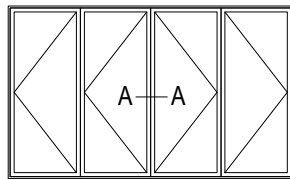
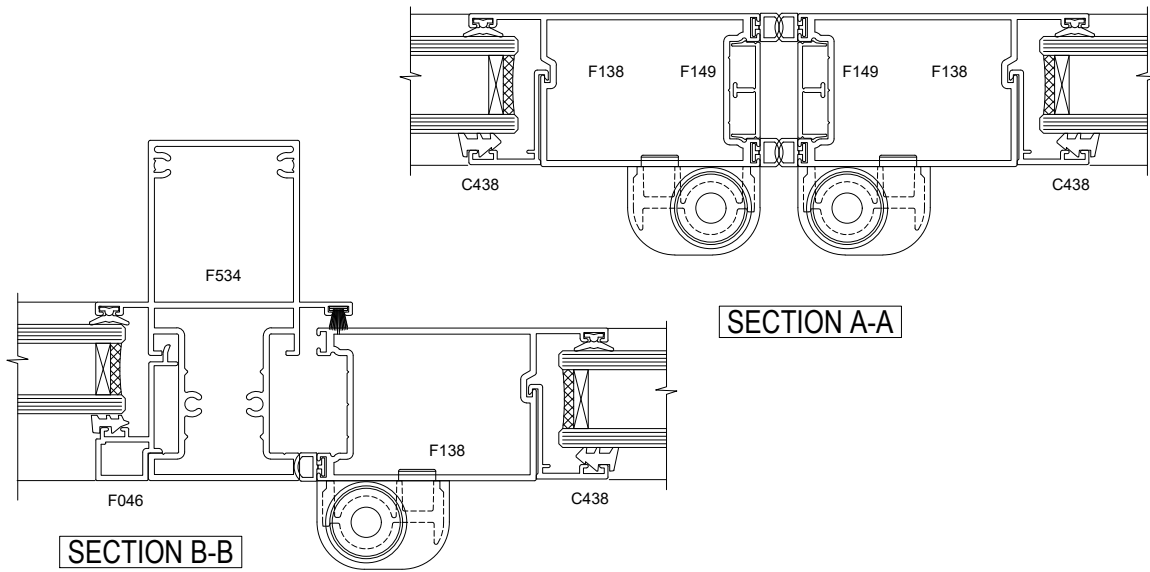
SECTION D-D

TOP HUNG NON-WEATHERED GUIDE BI-FOLD DOOR

FAIRVIEW SYSTEMS LIMITED SPECIFIERS GUIDE 2014 © TECHNICAL SPECIFICATIONS & PROFILE DETAILS SUBJECT TO CHANGE WITHOUT NOTICE

ARCHITECTURAL LINEAR 35 COMPLETE SUITE

| | |
|--------------------|--------------|
| DATE 12.06.2018 | SCALE 1:2 |
| REF. AL35.0072 | |

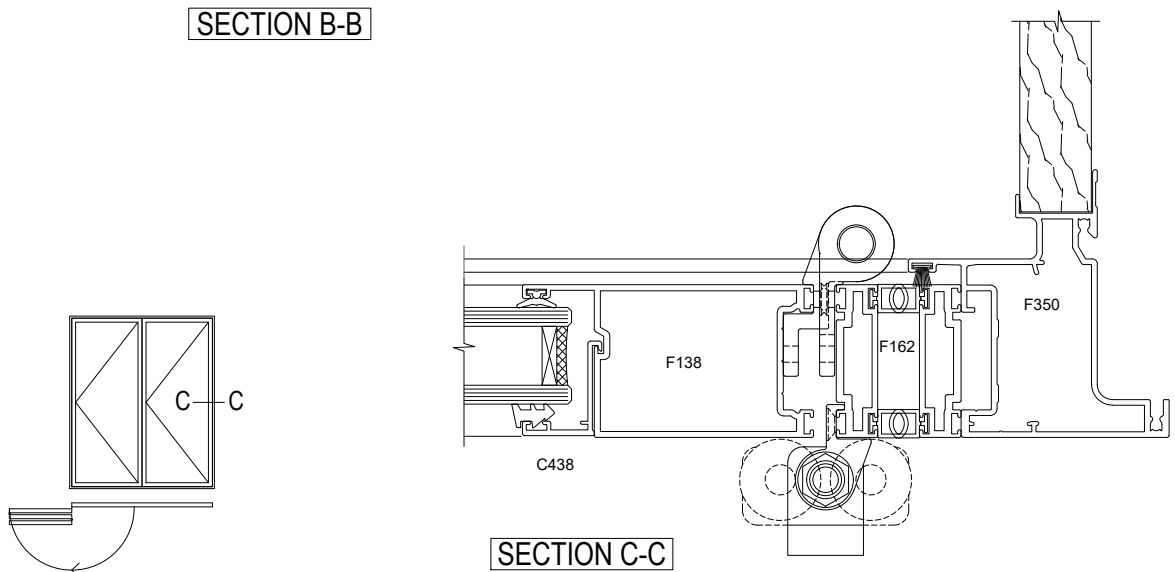
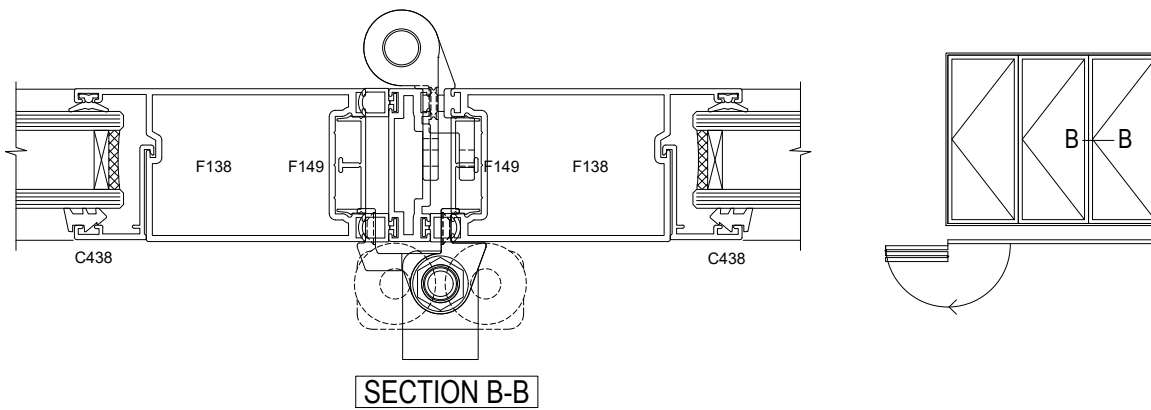
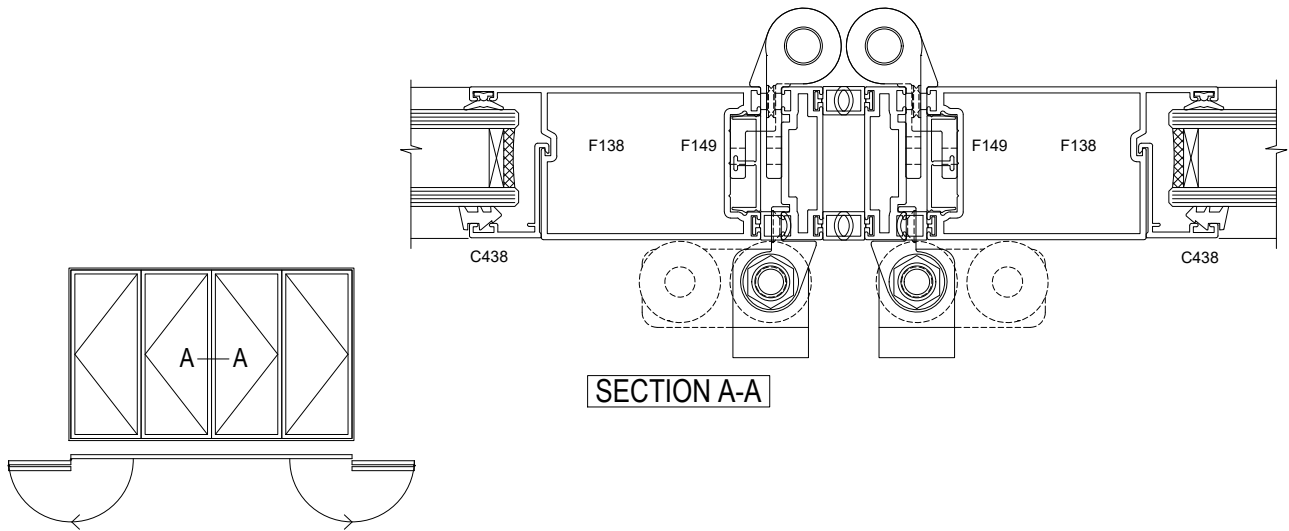


TOP HUNG NON-WEATHERED GUIDE BI-FOLD DOOR

FAIRVIEW SYSTEMS LIMITED SPECIFIERS GUIDE 2014 © TECHNICAL SPECIFICATIONS & PROFILE DETAILS SUBJECT TO CHANGE WITHOUT NOTICE

ARCHITECTURAL LINEAR 35 COMPLETE SUITE

| | |
|--------------------|--------------|
| DATE 12.06.2018 | SCALE 1:2 |
| REF. AL35.0073 | |



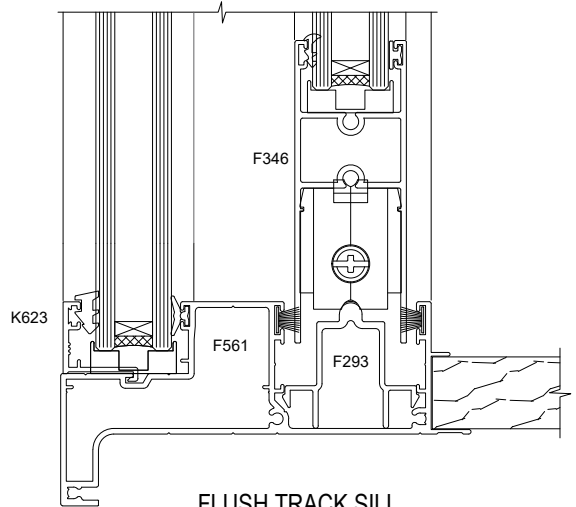
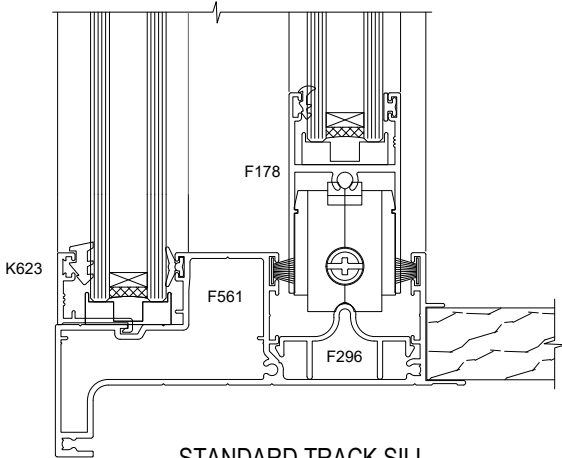
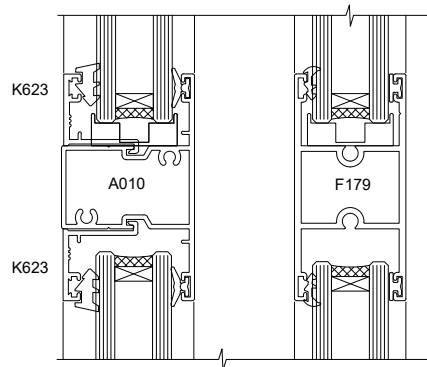
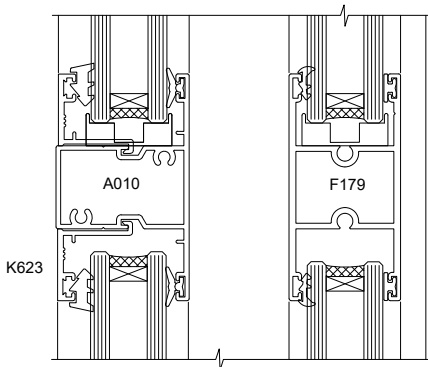
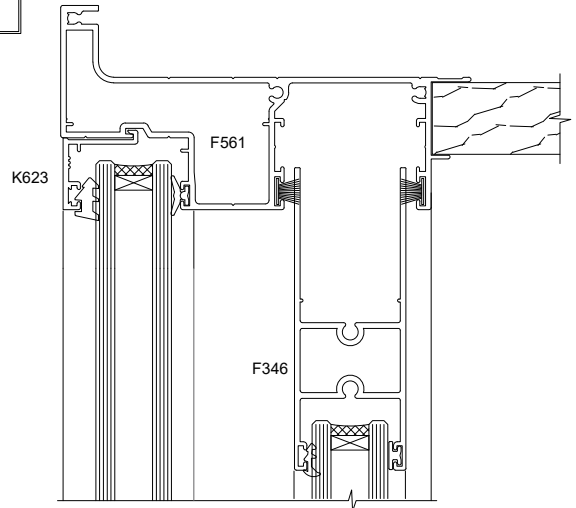
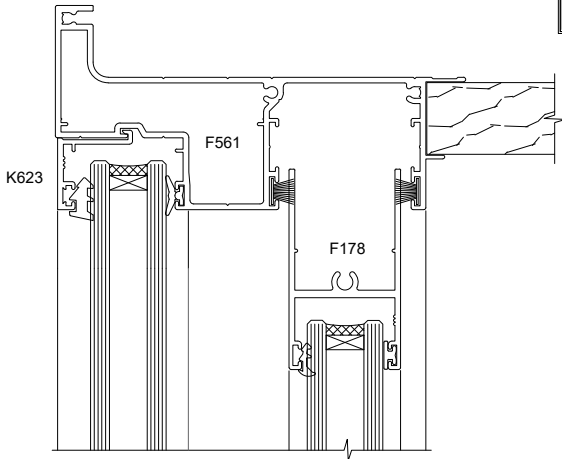
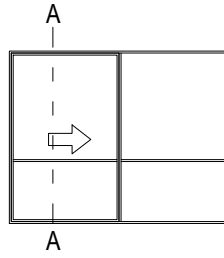
FREEFOLD

TOP HUNG NON-WEATHERED GUIDE BI-FOLD DOOR

FAIRVIEW SYSTEMS LIMITED SPECIFIERS GUIDE 2014 © TECHNICAL SPECIFICATIONS & PROFILE DETAILS SUBJECT TO CHANGE WITHOUT NOTICE

ARCHITECTURAL LINEAR 35 COMPLETE SUITE

| | |
|--------------------|--------------|
| DATE 12.06.2018 | SCALE 1:2 |
| REF. AL35.0074 | |



STANDARD TRACK SILL

FLUSH TRACK SILL

SECTION A-A

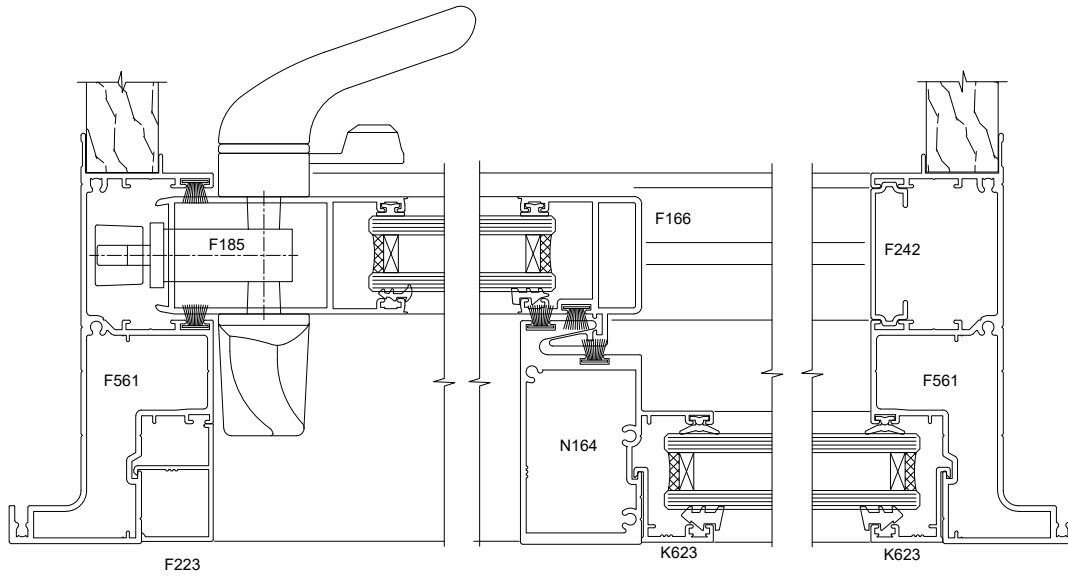
SECTION A-A

SLIDING DOOR

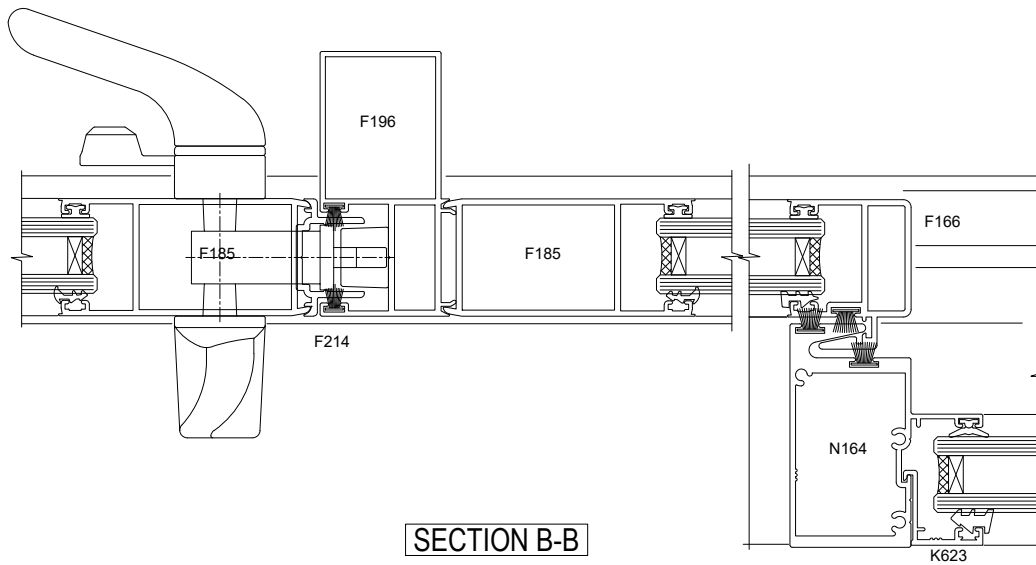
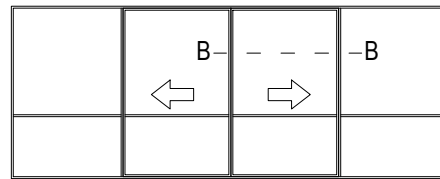
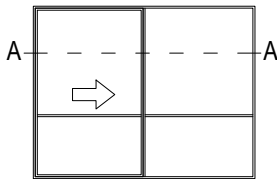
FAIRVIEW SYSTEMS LIMITED SPECIFIERS GUIDE 2014 © TECHNICAL SPECIFICATIONS & PROFILE DETAILS SUBJECT TO CHANGE WITHOUT NOTICE

ARCHITECTURAL LINEAR 35 COMPLETE SUITE

| | |
|--------------------|--------------|
| DATE 12.06.2018 | SCALE 1:2 |
| REF. AL35.0081 | |



SECTION A-A



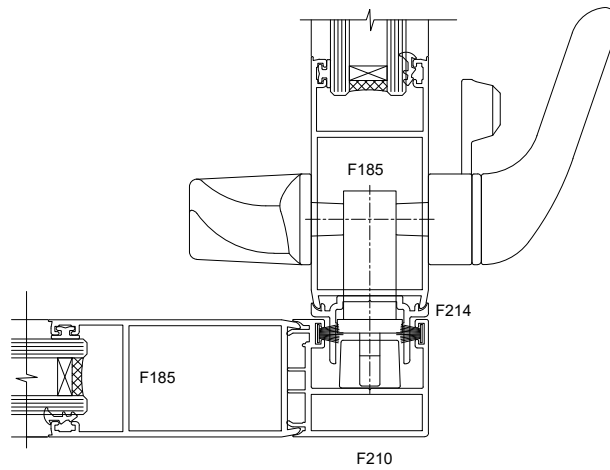
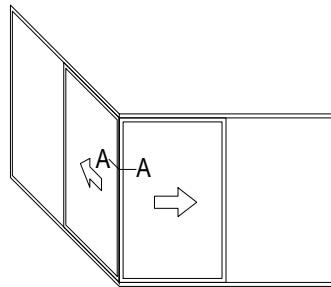
SECTION B-B

SLIDING DOOR

FAIRVIEW SYSTEMS LIMITED SPECIFIERS GUIDE 2014 © TECHNICAL SPECIFICATIONS & PROFILE DETAILS SUBJECT TO CHANGE WITHOUT NOTICE

ARCHITECTURAL LINEAR 35 COMPLETE SUITE

| | |
|--------------------|--------------|
| DATE 12.06.2018 | SCALE 1:2 |
| REF. AL35.0082 | |



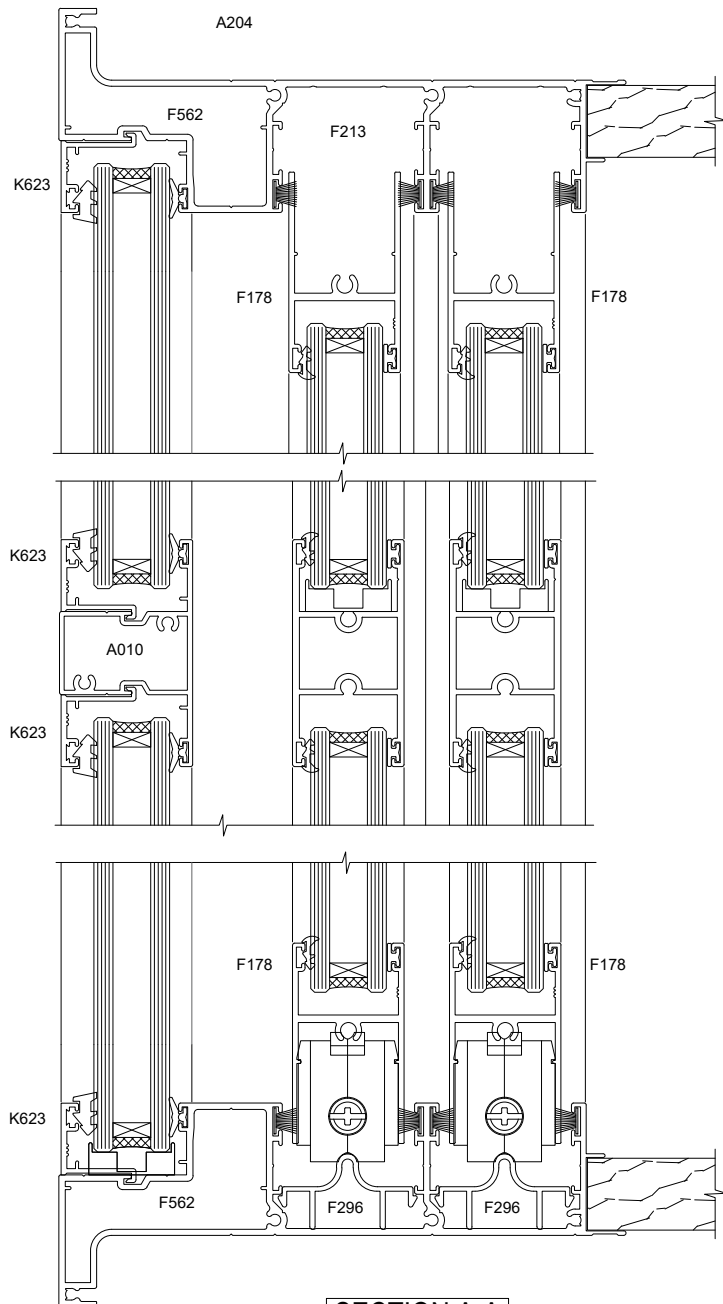
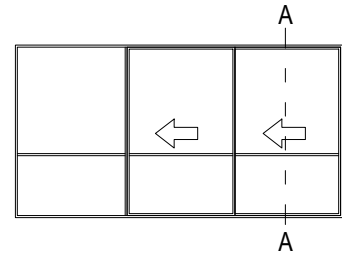
SECTION A-A

SLIDING DOOR

FAIRVIEW SYSTEMS LIMITED SPECIFIERS GUIDE 2014 © TECHNICAL SPECIFICATIONS & PROFILE DETAILS SUBJECT TO CHANGE WITHOUT NOTICE

ARCHITECTURAL LINEAR 35 COMPLETE SUITE

| | |
|--------------------|--------------|
| DATE 12.06.2018 | SCALE 1:2 |
| REF. AL35.0083 | |



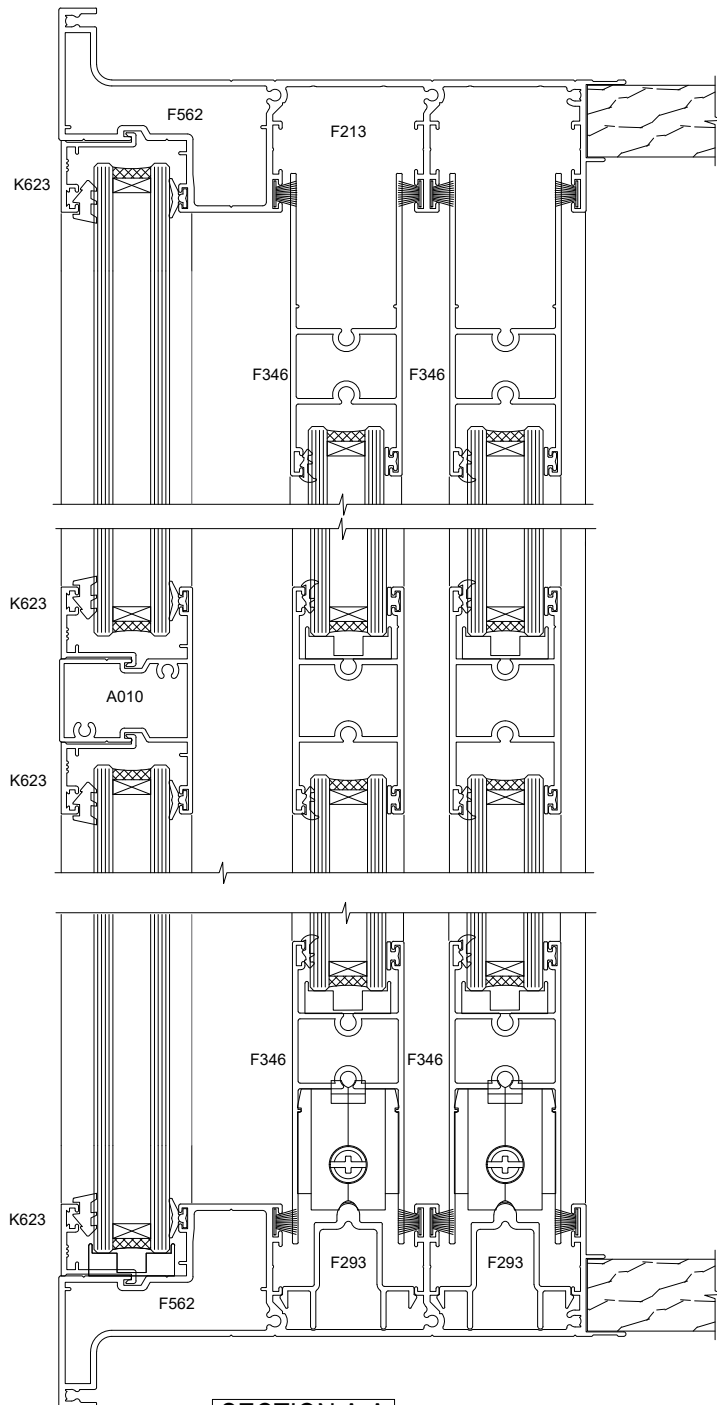
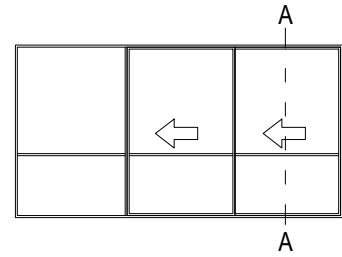
SECTION A-A

**STANDARD TRACK SILL
STACKING DOOR**

FAIRVIEW SYSTEMS LIMITED SPECIFIERS GUIDE 2014 © TECHNICAL SPECIFICATIONS & PROFILE DETAILS SUBJECT TO CHANGE WITHOUT NOTICE

ARCHITECTURAL LINEAR 35 COMPLETE SUITE

| | |
|--------------------|--------------|
| DATE 12.06.2018 | SCALE 1:2 |
| REF. AL35.0091 | |



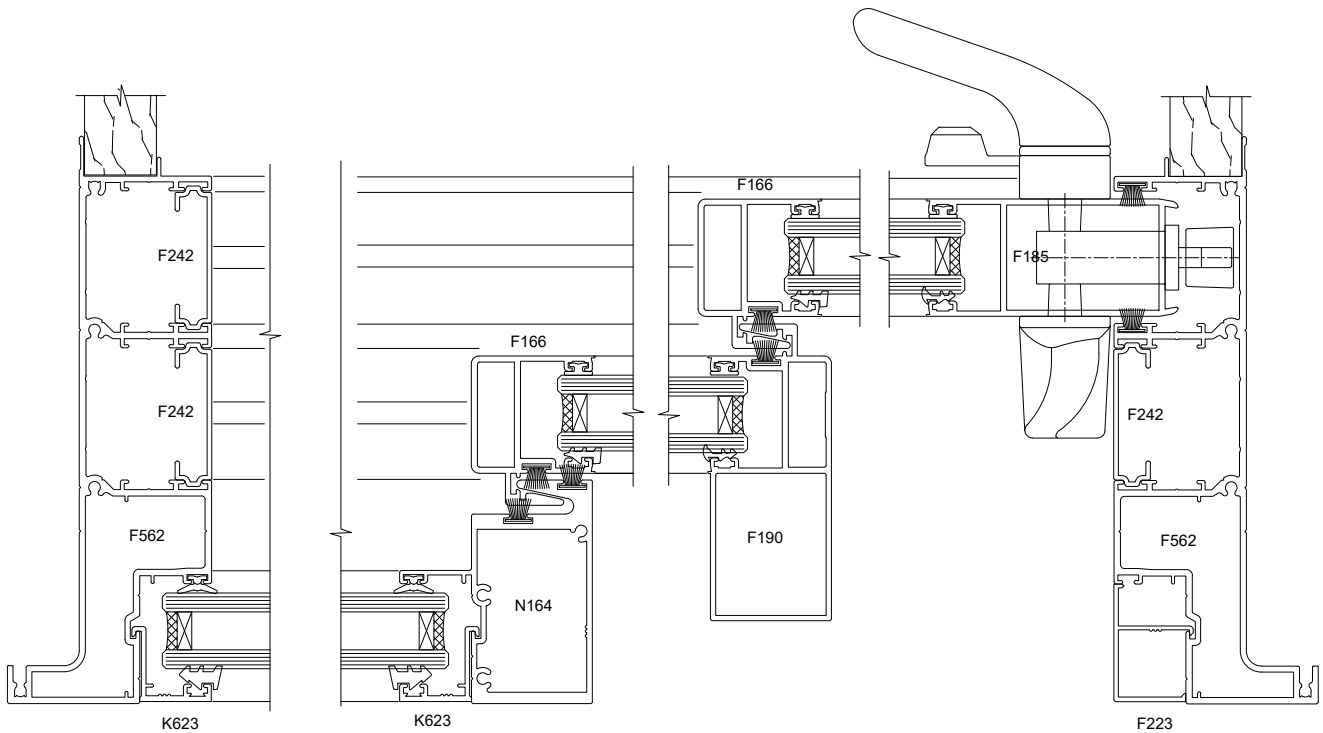
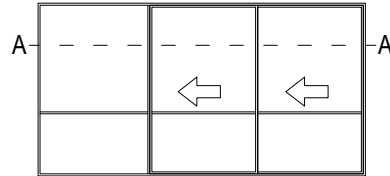
SECTION A-A

**FLUSH TRACK SILL
STACKING DOOR**

FAIRVIEW SYSTEMS LIMITED SPECIFIERS GUIDE 2014 © TECHNICAL SPECIFICATIONS & PROFILE DETAILS SUBJECT TO CHANGE WITHOUT NOTICE

ARCHITECTURAL LINEAR 35 COMPLETE SUITE

| | |
|--------------------|--------------|
| DATE 12.06.2018 | SCALE 1:2 |
| REF. AL35.0092 | |



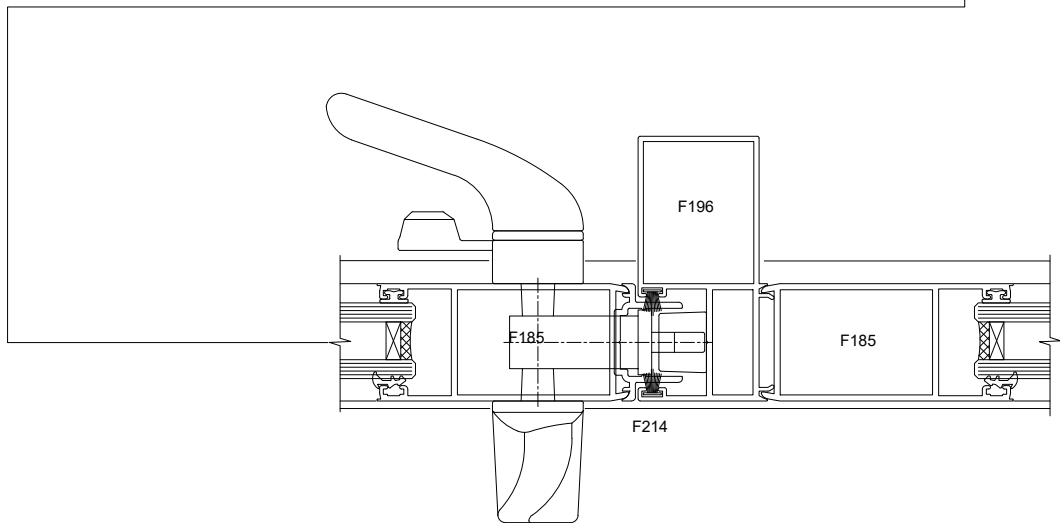
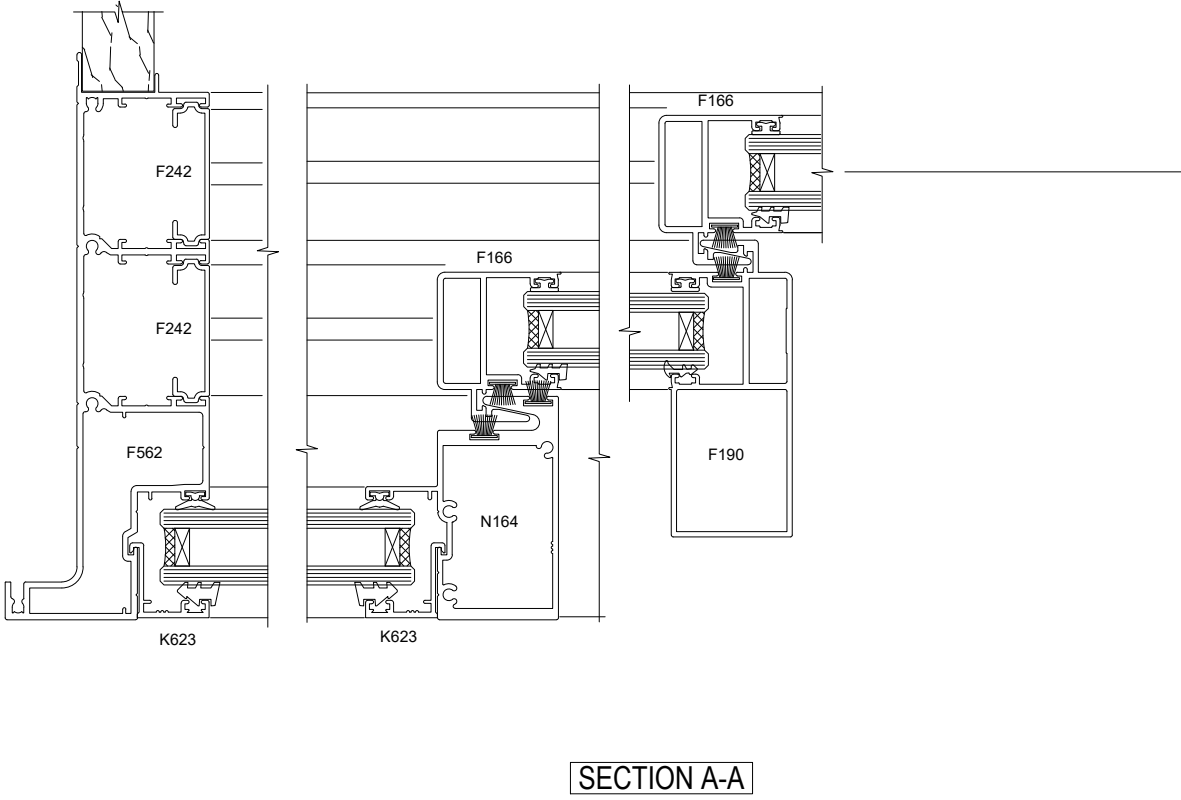
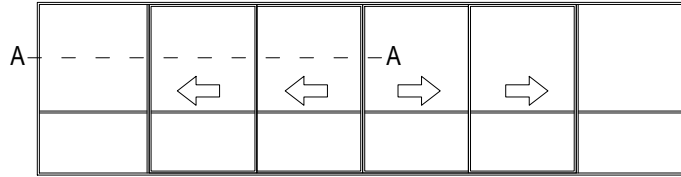
SECTION A-A

STACKING DOOR

FAIRVIEW SYSTEMS LIMITED SPECIFIERS GUIDE 2014 © TECHNICAL SPECIFICATIONS & PROFILE DETAILS SUBJECT TO CHANGE WITHOUT NOTICE

ARCHITECTURAL LINEAR 35 COMPLETE SUITE

| | |
|--------------------|--------------|
| DATE 12.06.2018 | SCALE 1:2 |
| REF. AL35.0093 | |



STACKING DOOR

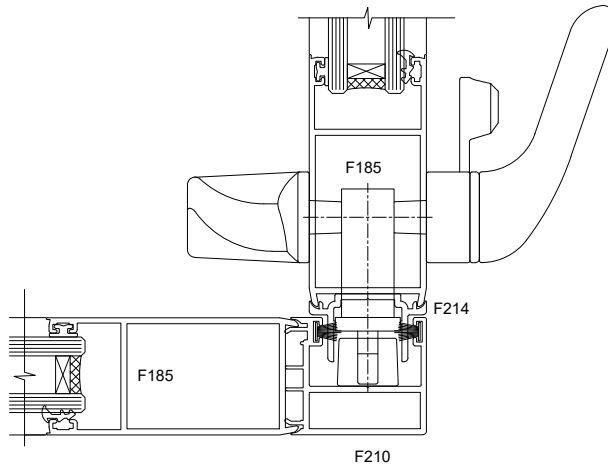
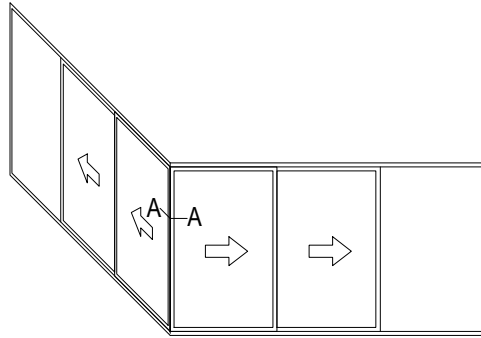
FAIRVIEW SYSTEMS LIMITED SPECIFIERS GUIDE 2014 © TECHNICAL SPECIFICATIONS & PROFILE DETAILS SUBJECT TO CHANGE WITHOUT NOTICE

ARCHITECTURAL LINEAR 35 COMPLETE SUITE

DATE
12.06.2018

SCALE
1:2

REF. AL35.0094



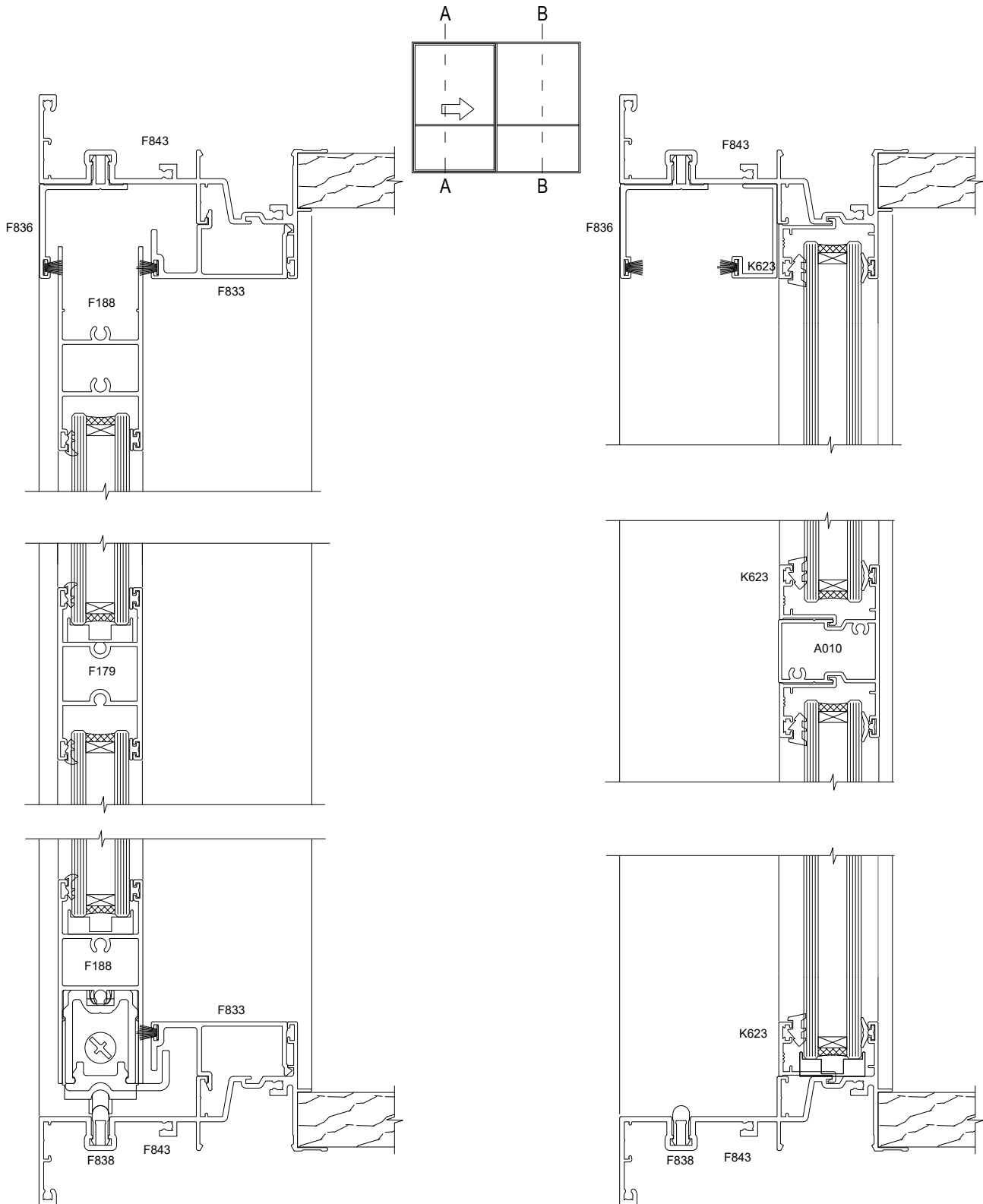
SECTION A-A

SLIDING DOOR

FAIRVIEW SYSTEMS LIMITED SPECIFIERS GUIDE 2014 © TECHNICAL SPECIFICATIONS & PROFILE DETAILS SUBJECT TO CHANGE WITHOUT NOTICE

ARCHITECTURAL LINEAR 35 COMPLETE SUITE

| | |
|--------------------|--------------|
| DATE 12.06.2018 | SCALE 1:2 |
| REF. AL35.0095 | |



SECTION A-A

EXTERNAL SLIDING DOOR

SECTION B-B

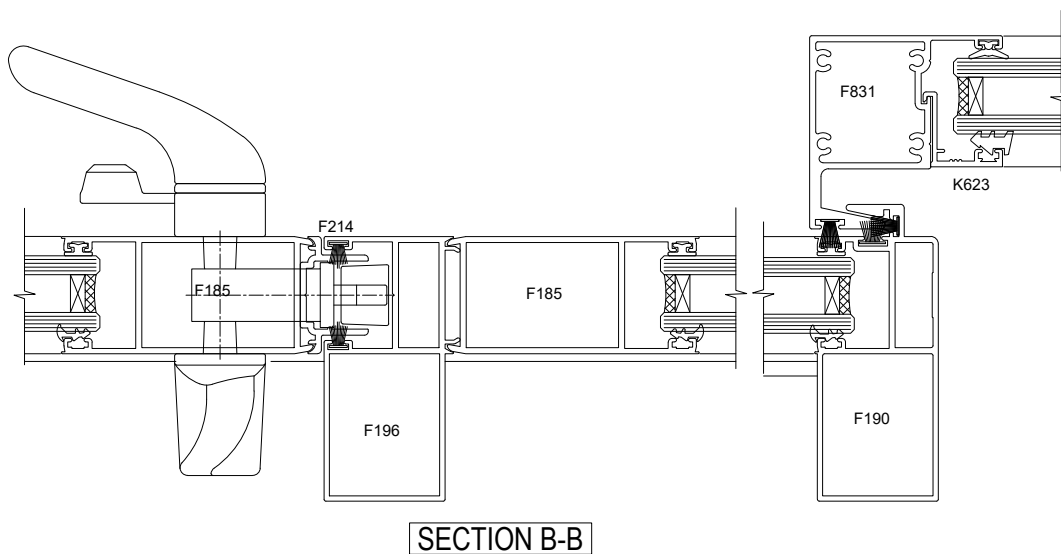
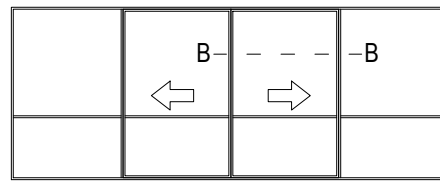
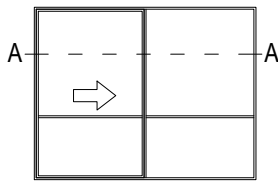
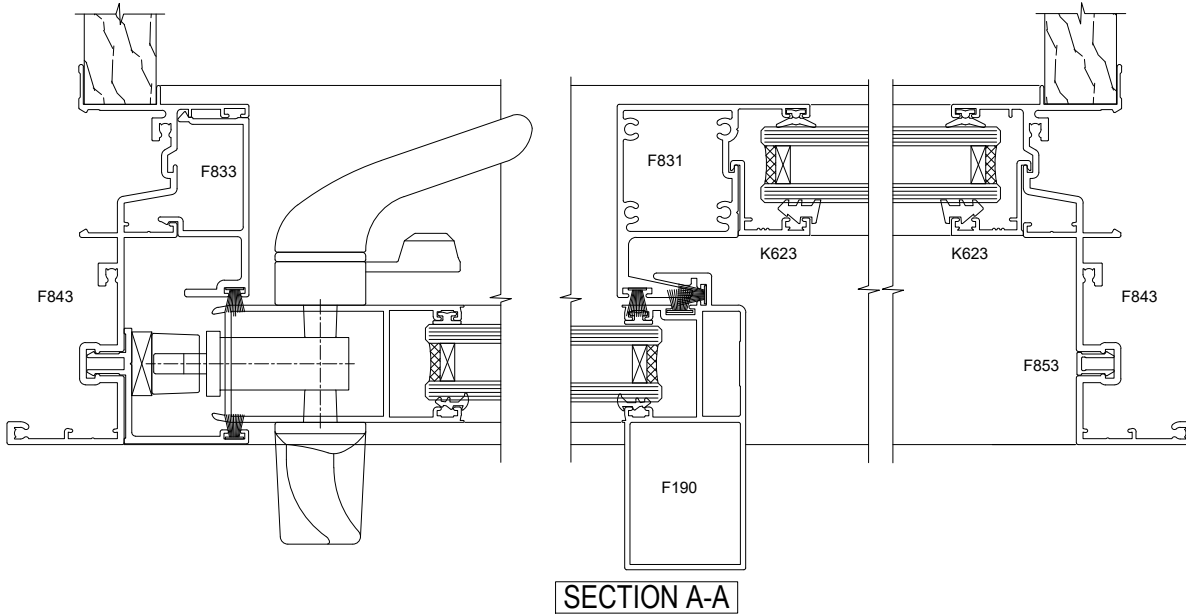
FAIRVIEW SYSTEMS LIMITED SPECIFIERS GUIDE 2014 © TECHNICAL SPECIFICATIONS & PROFILE DETAILS SUBJECT TO CHANGE WITHOUT NOTICE

ARCHITECTURAL LINEAR 35 COMPLETE SUITE

DATE
12.06.2018

SCALE
1:2

REF. AL35.0101

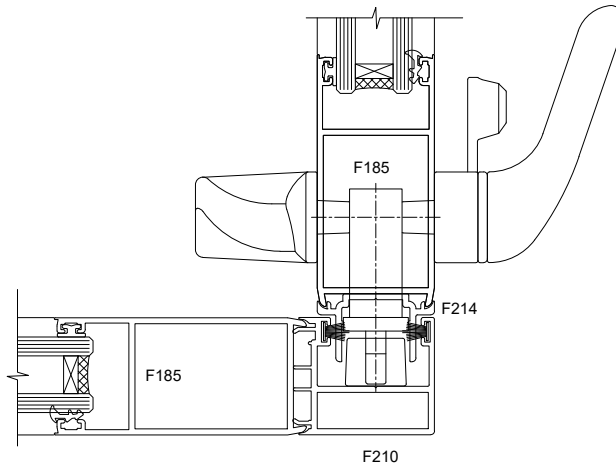
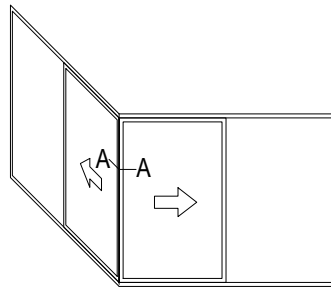


EXTERNAL SLIDING DOOR

FAIRVIEW SYSTEMS LIMITED SPECIFIERS GUIDE 2014 © TECHNICAL SPECIFICATIONS & PROFILE DETAILS SUBJECT TO CHANGE WITHOUT NOTICE

ARCHITECTURAL LINEAR 35 COMPLETE SUITE

| | |
|--------------------|--------------|
| DATE 12.06.2018 | SCALE 1:2 |
| REF. AL35.0102 | |



SECTION A-A

EXTERNAL SLIDING DOOR

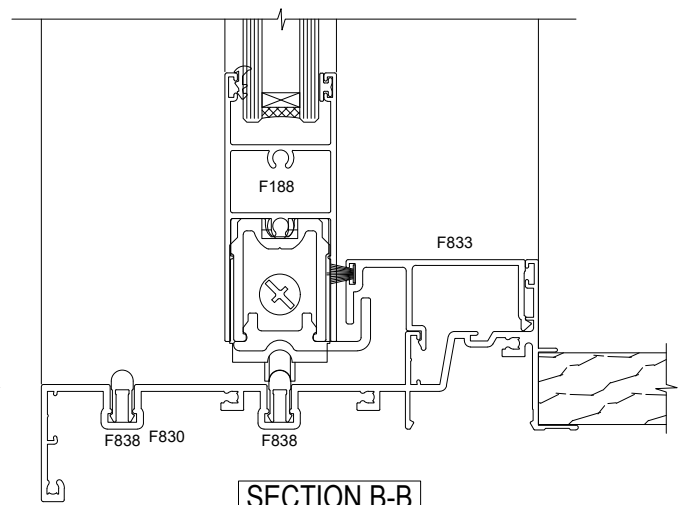
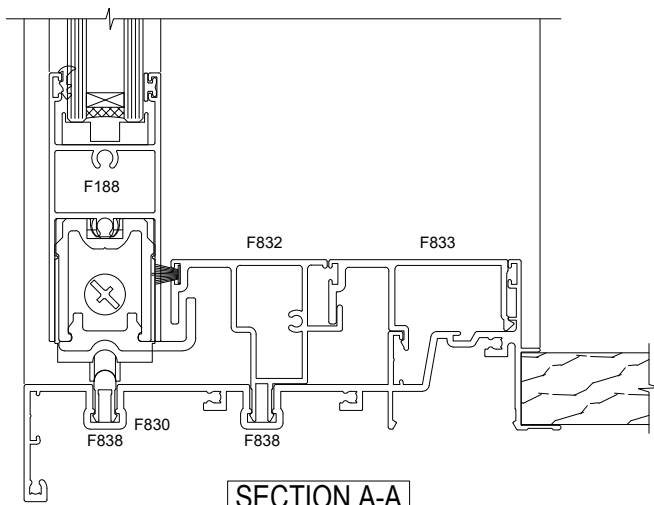
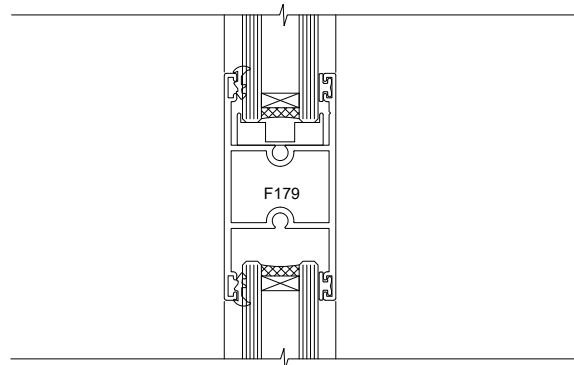
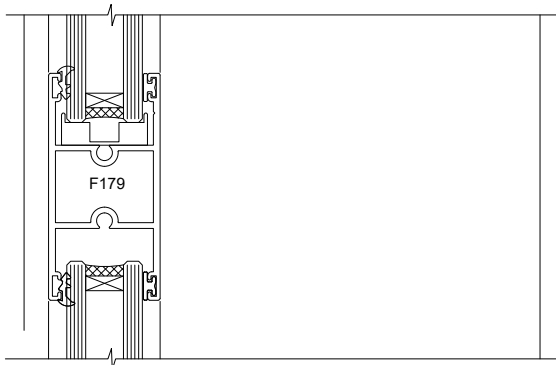
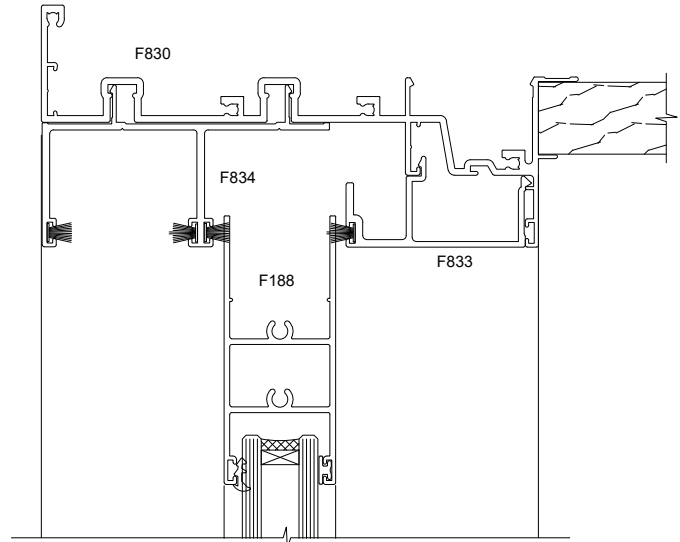
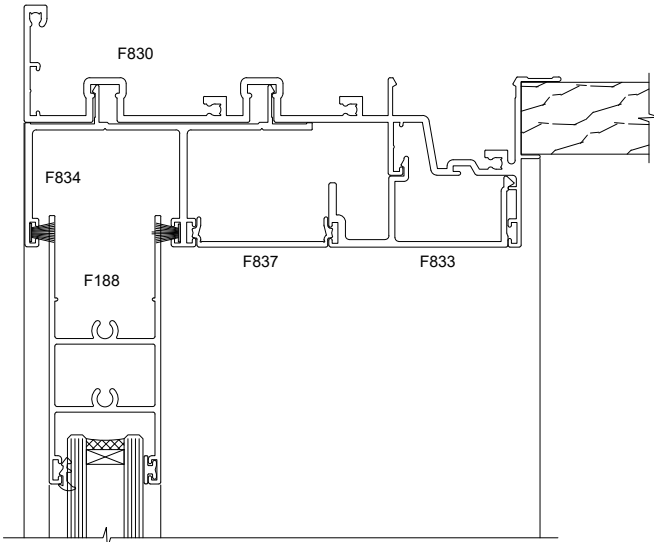
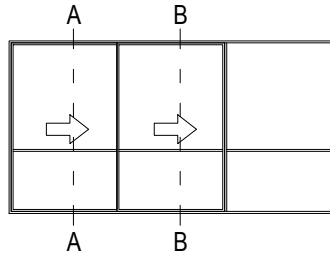
FAIRVIEW SYSTEMS LIMITED SPECIFIERS GUIDE 2014 © TECHNICAL SPECIFICATIONS & PROFILE DETAILS SUBJECT TO CHANGE WITHOUT NOTICE

ARCHITECTURAL LINEAR 35 COMPLETE SUITE

DATE
12.06.2018

SCALE
1:2

REF. AL35.0103



SECTION A-A

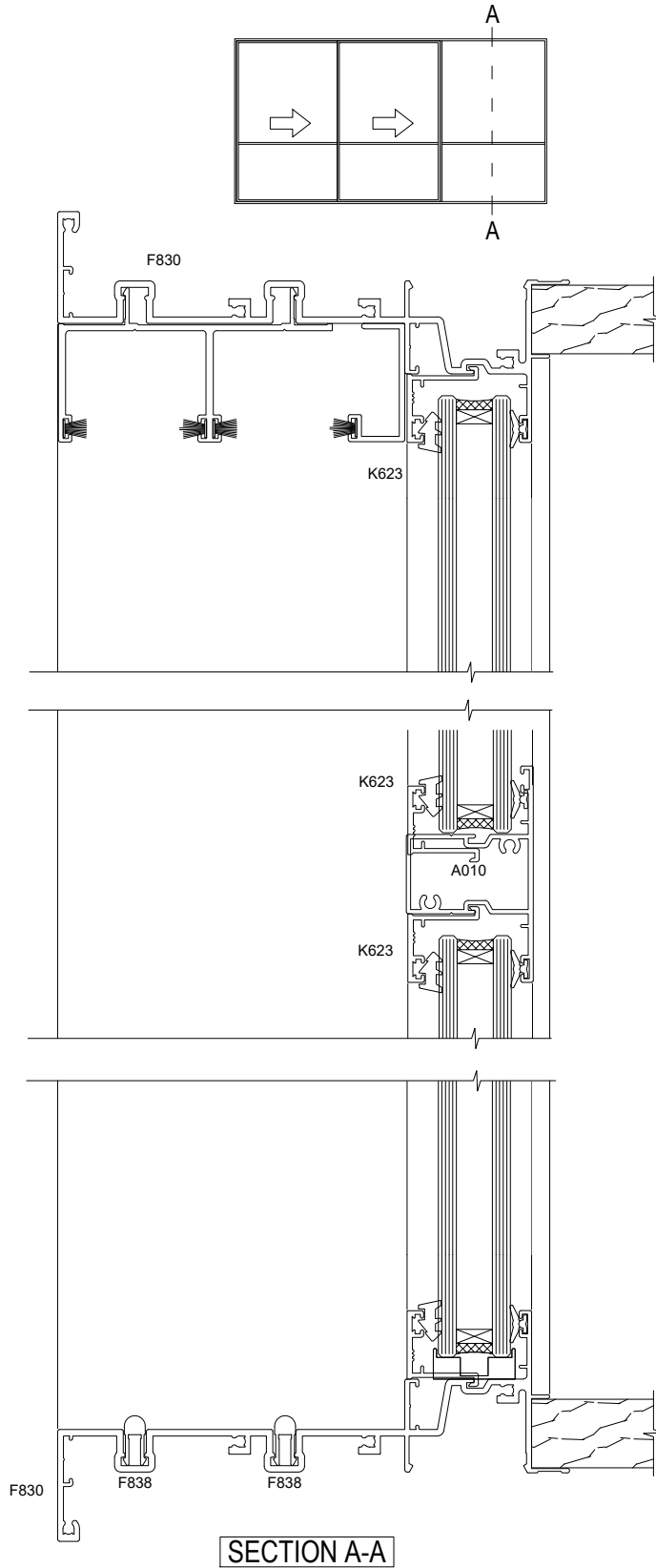
SECTION B-B

EXTERNAL STACKING DOOR

FAIRVIEW SYSTEMS LIMITED SPECIFIERS GUIDE 2014 © TECHNICAL SPECIFICATIONS & PROFILE DETAILS SUBJECT TO CHANGE WITHOUT NOTICE

ARCHITECTURAL LINEAR 35 COMPLETE SUITE

| | |
|--------------------|--------------|
| DATE 12.06.2018 | SCALE 1:2 |
| REF. AL35.0111 | |



EXTERNAL STACKING DOOR

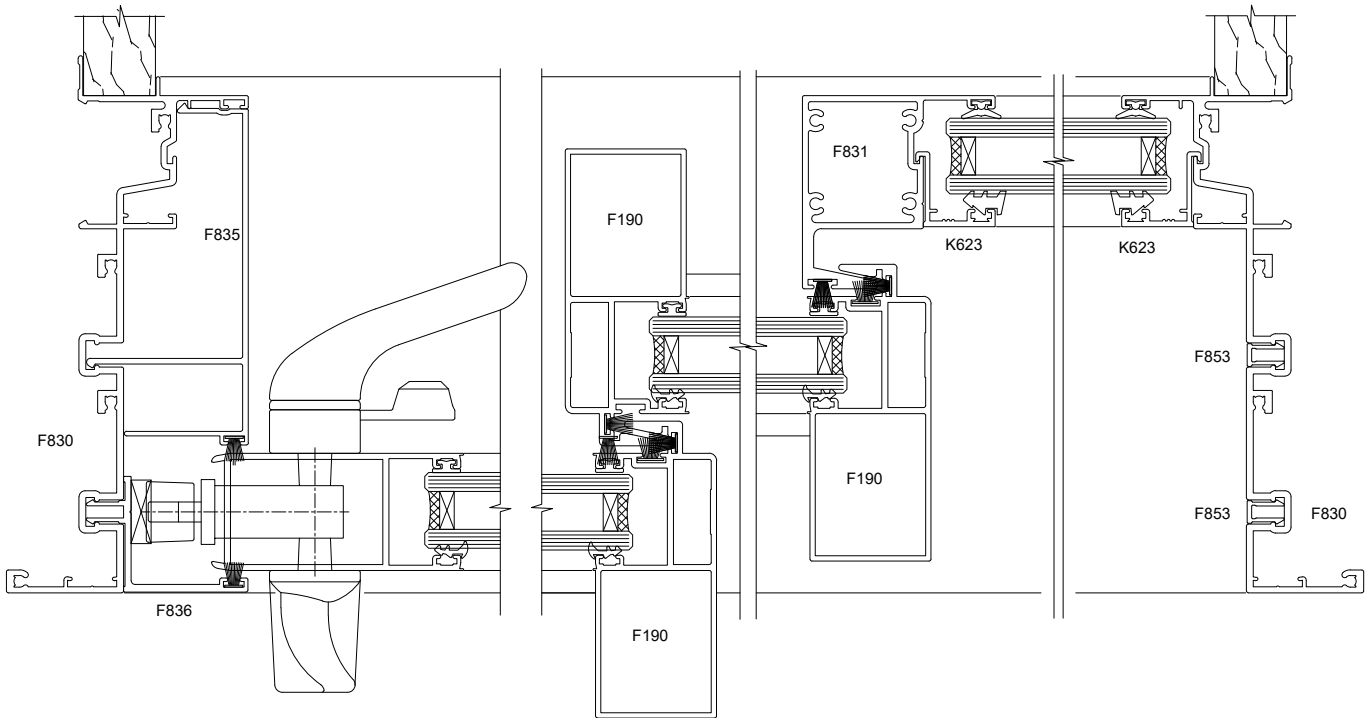
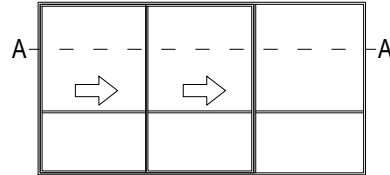
FAIRVIEW SYSTEMS LIMITED SPECIFIERS GUIDE 2014 © TECHNICAL SPECIFICATIONS & PROFILE DETAILS SUBJECT TO CHANGE WITHOUT NOTICE

ARCHITECTURAL LINEAR 35 COMPLETE SUITE

DATE
12.06.2018

SCALE
1:2

REF. AL35.0112



SECTION A-A

EXTERNAL STACKING DOOR

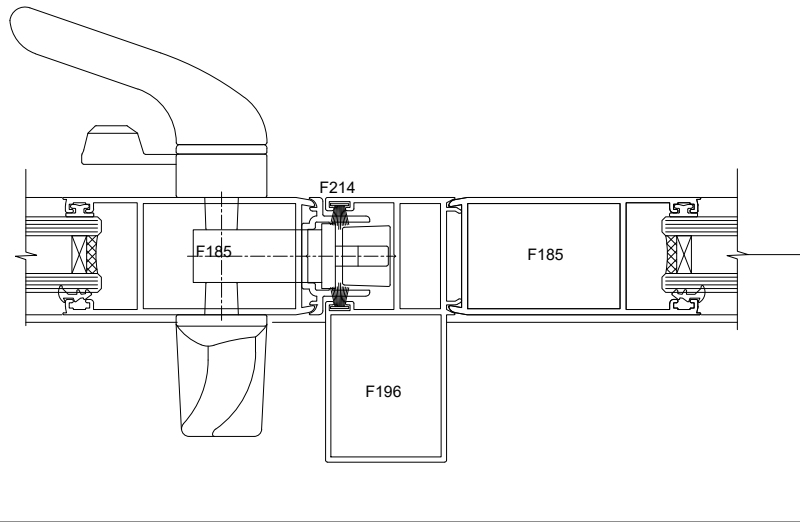
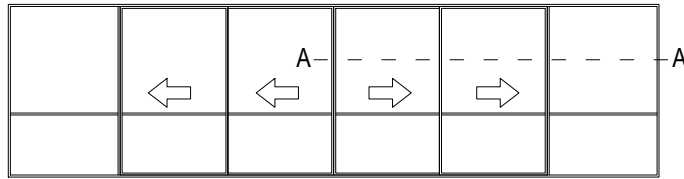
FAIRVIEW SYSTEMS LIMITED SPECIFIERS GUIDE 2014 © TECHNICAL SPECIFICATIONS & PROFILE DETAILS SUBJECT TO CHANGE WITHOUT NOTICE

ARCHITECTURAL LINEAR 35 COMPLETE SUITE

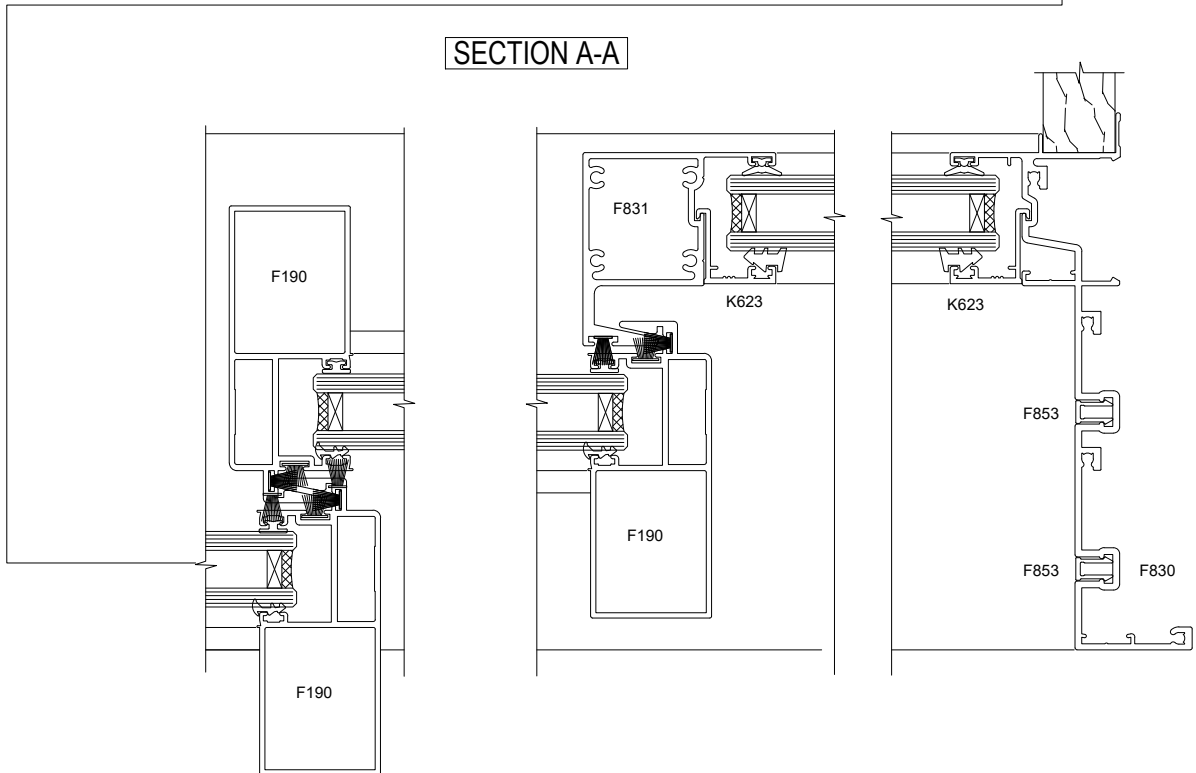
DATE
12.06.2018

SCALE
1:2

REF. AL35.0113



SECTION A-A

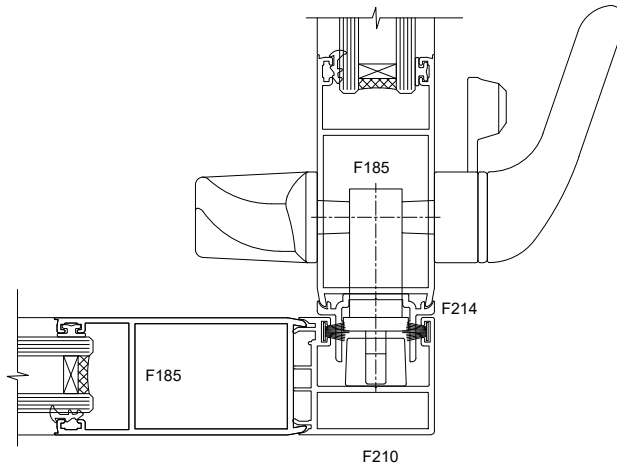
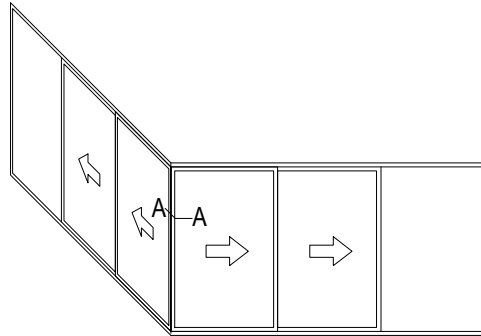


EXTERNAL STACKING DOOR

FAIRVIEW SYSTEMS LIMITED SPECIFIERS GUIDE 2014 © TECHNICAL SPECIFICATIONS & PROFILE DETAILS SUBJECT TO CHANGE WITHOUT NOTICE

ARCHITECTURAL LINEAR 35 COMPLETE SUITE

| | |
|--------------------|--------------|
| DATE 12.06.2018 | SCALE 1:2 |
| REF. AL35.0114 | |



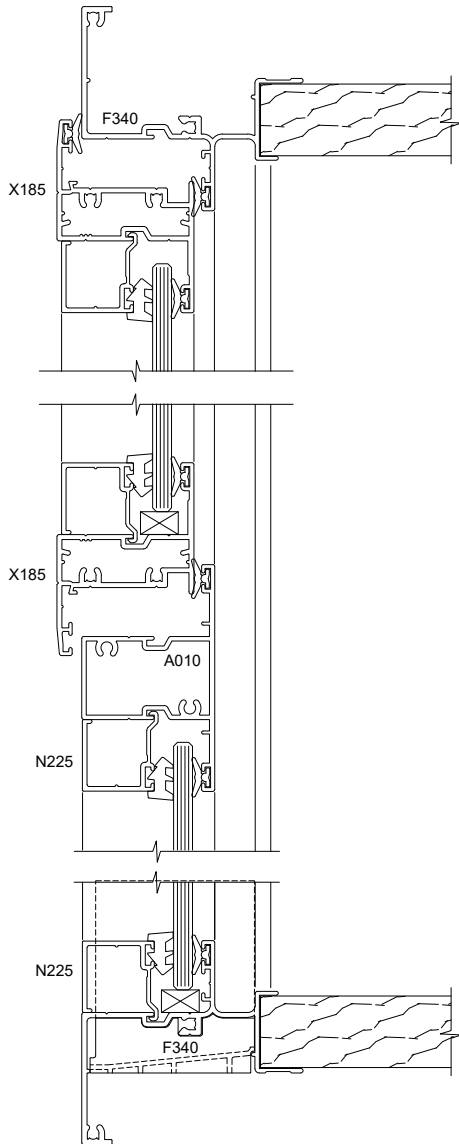
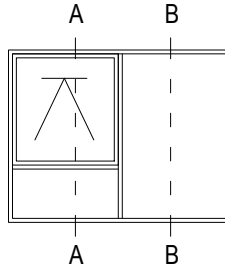
SECTION A-A

EXTERNAL STACKING DOOR

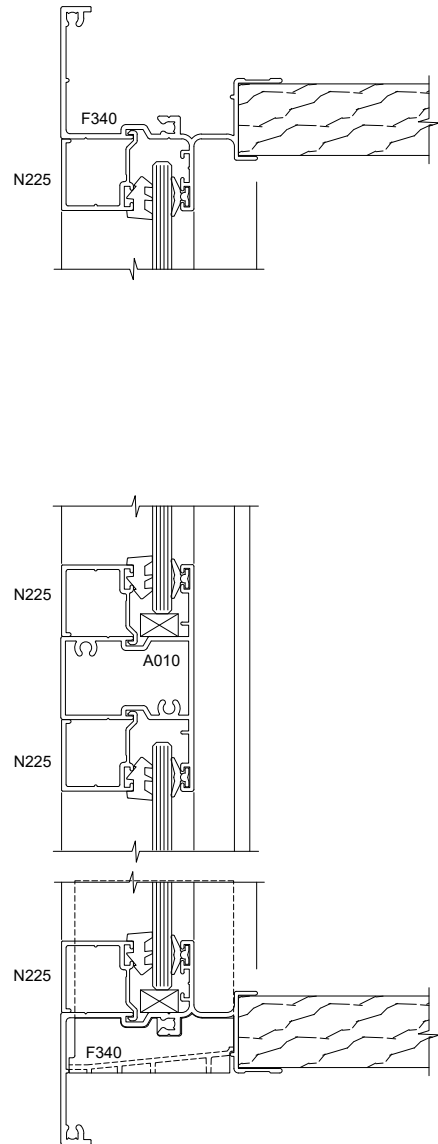
FAIRVIEW SYSTEMS LIMITED SPECIFIERS GUIDE 2014 © TECHNICAL SPECIFICATIONS & PROFILE DETAILS SUBJECT TO CHANGE WITHOUT NOTICE

ARCHITECTURAL LINEAR 35 COMPLETE SUITE

| | |
|--------------------|--------------|
| DATE 12.06.2018 | SCALE 1:2 |
| REF. AL35.0115 | |



SECTION A-A



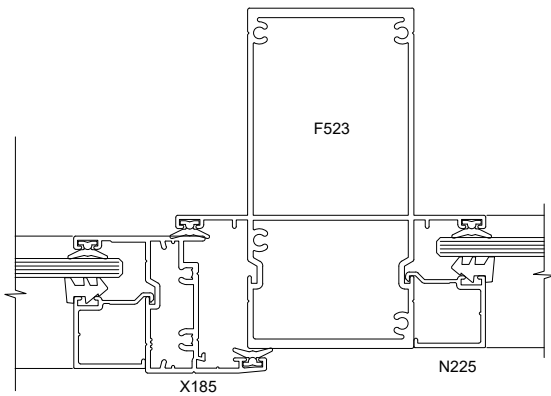
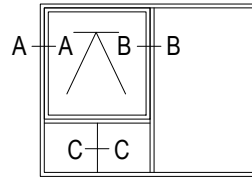
SECTION B-B

AWNING / CASEMENT WINDOW

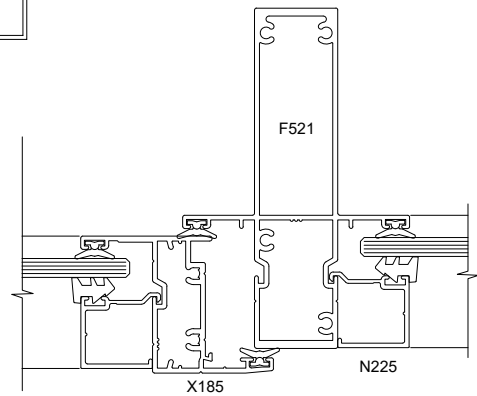
FAIRVIEW SYSTEMS LIMITED SPECIFIERS GUIDE 2014 © TECHNICAL SPECIFICATIONS & PROFILE DETAILS SUBJECT TO CHANGE WITHOUT NOTICE

ARCHITECTURAL LINEAR 35 COMPLETE SUITE

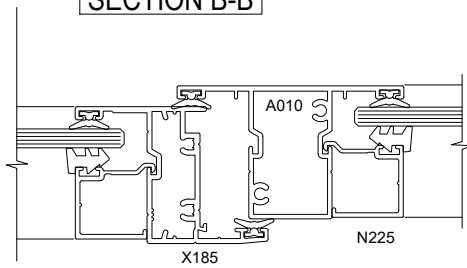
| | |
|--------------------|--------------|
| DATE 12.06.2018 | SCALE 1:2 |
| REF. AL35.1001 | |



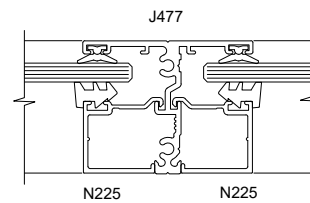
SECTION B-B



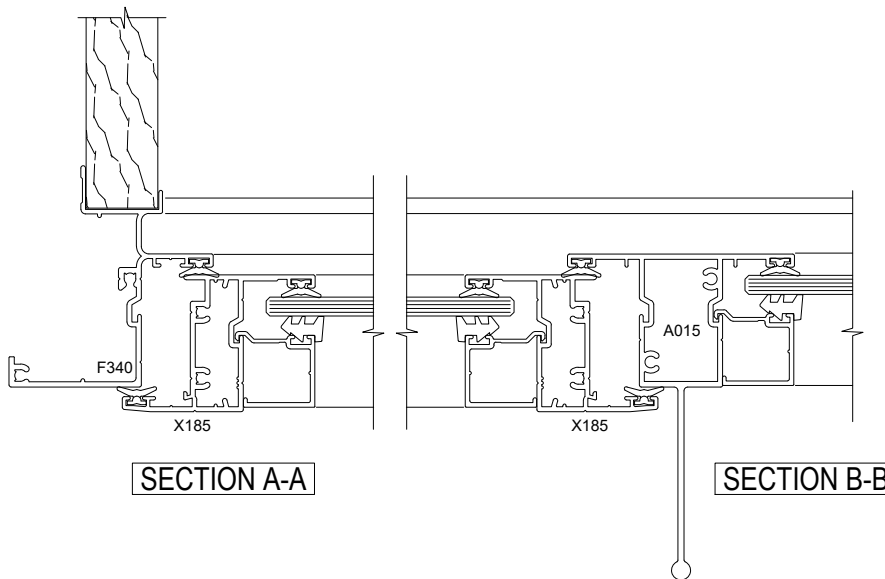
SECTION B-B



SECTION B-B



SECTION C-C



SECTION A-A

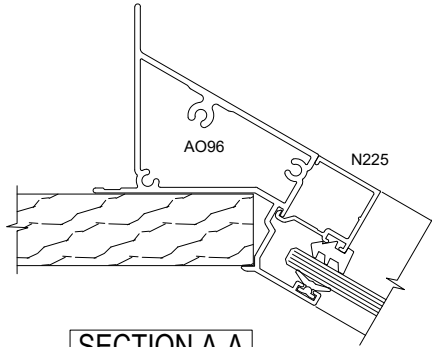
SECTION B-B

AWNING / CASEMENT WINDOW

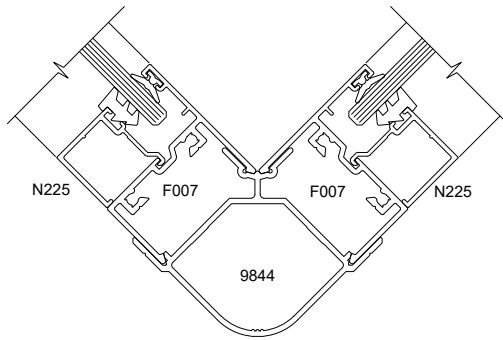
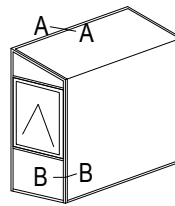
FAIRVIEW SYSTEMS LIMITED SPECIFIERS GUIDE 2014 © TECHNICAL SPECIFICATIONS & PROFILE DETAILS SUBJECT TO CHANGE WITHOUT NOTICE

ARCHITECTURAL LINEAR 35 COMPLETE SUITE

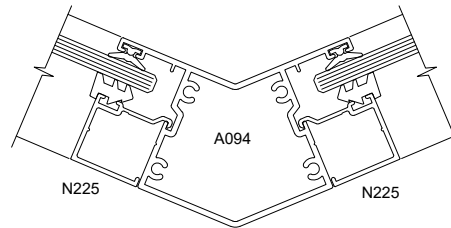
| | |
|--------------------|--------------|
| DATE 12.06.2018 | SCALE 1:2 |
| REF. AL35.1002 | |



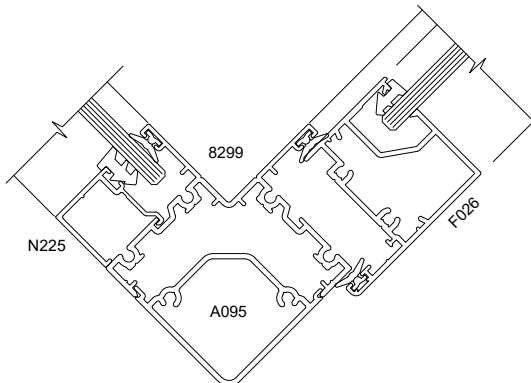
SECTION A-A



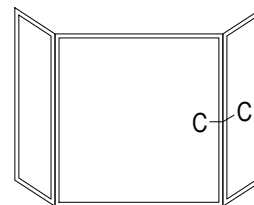
SECTION B-B



SECTION C-C



SECTION B-B

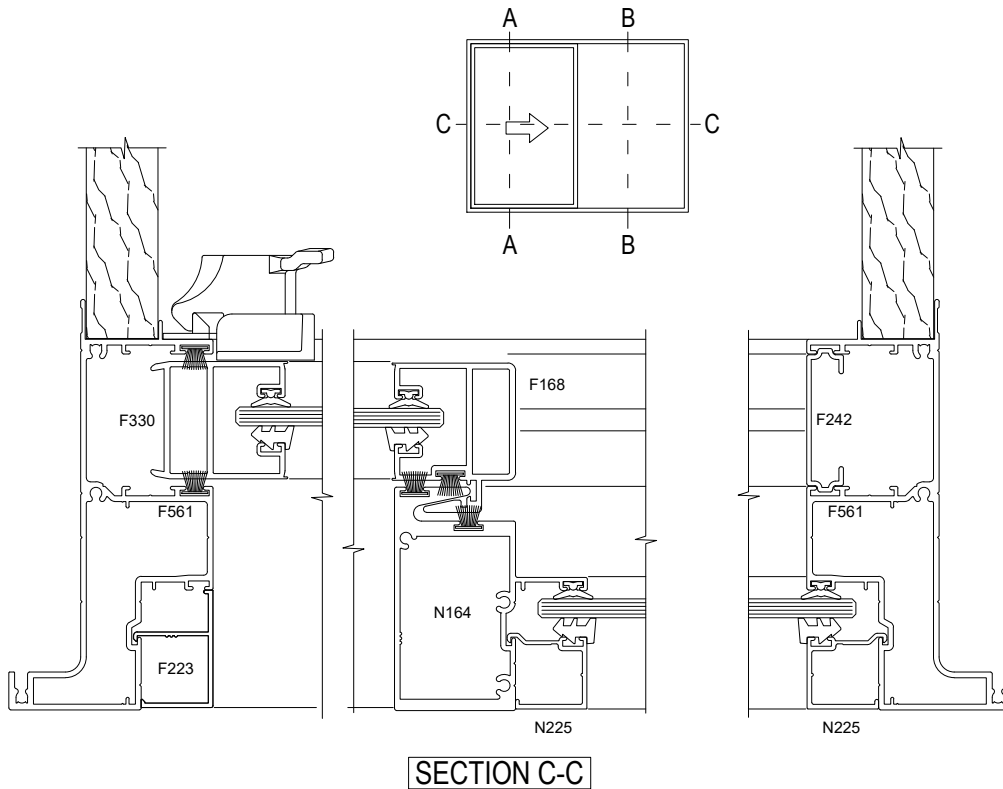
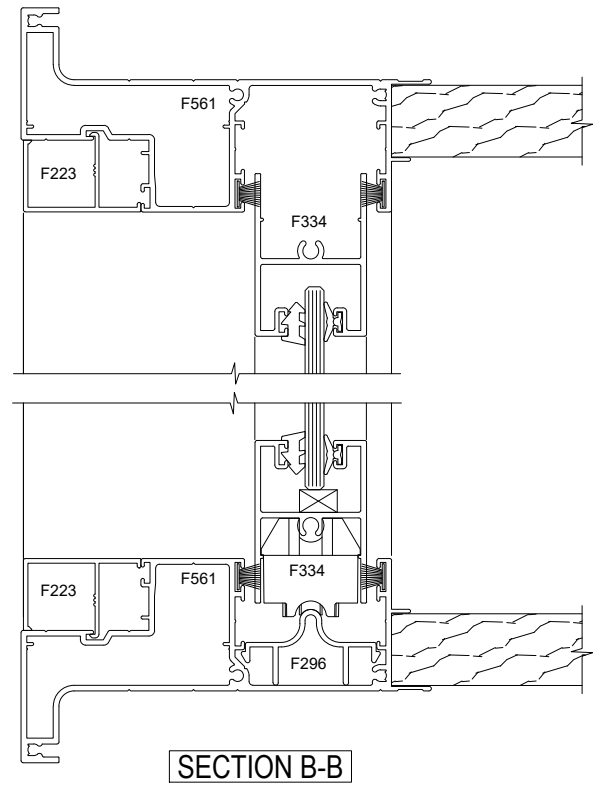
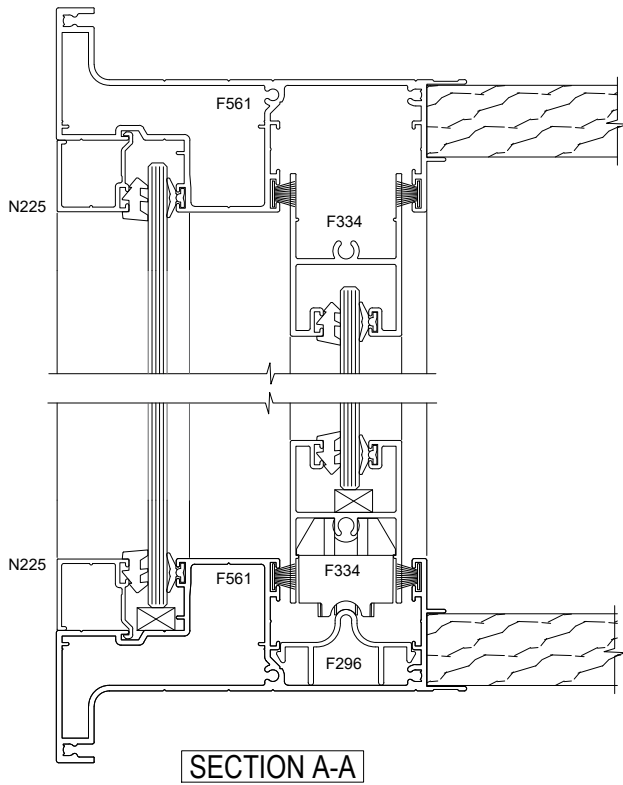


BOX & BAY WINDOW

FAIRVIEW SYSTEMS LIMITED SPECIFIERS GUIDE 2014 © TECHNICAL SPECIFICATIONS & PROFILE DETAILS SUBJECT TO CHANGE WITHOUT NOTICE

ARCHITECTURAL LINEAR 35 COMPLETE SUITE

| | |
|--------------------|--------------|
| DATE 12.06.2018 | SCALE 1:2 |
| REF. AL35.1003 | |

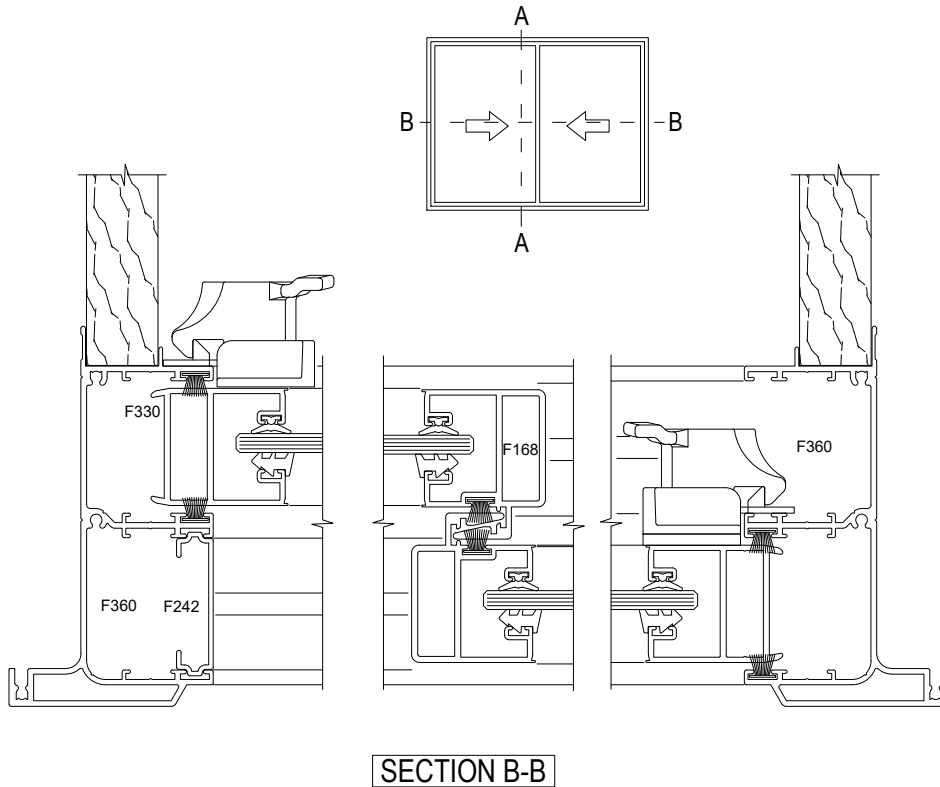
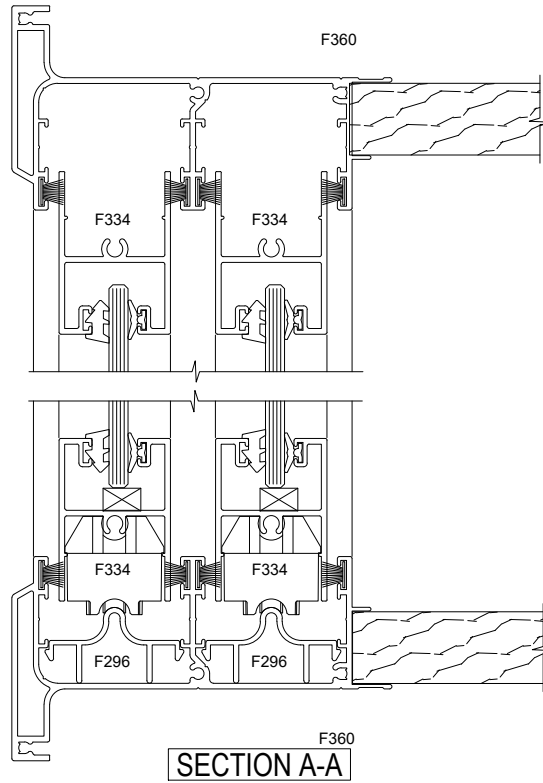


SLIDING WINDOW

FAIRVIEW SYSTEMS LIMITED SPECIFIERS GUIDE 2014 © TECHNICAL SPECIFICATIONS & PROFILE DETAILS SUBJECT TO CHANGE WITHOUT NOTICE

ARCHITECTURAL LINEAR 35 COMPLETE SUITE

| | |
|--------------------|--------------|
| DATE 12.06.2018 | SCALE 1:2 |
| REF. AL35.1021 | |

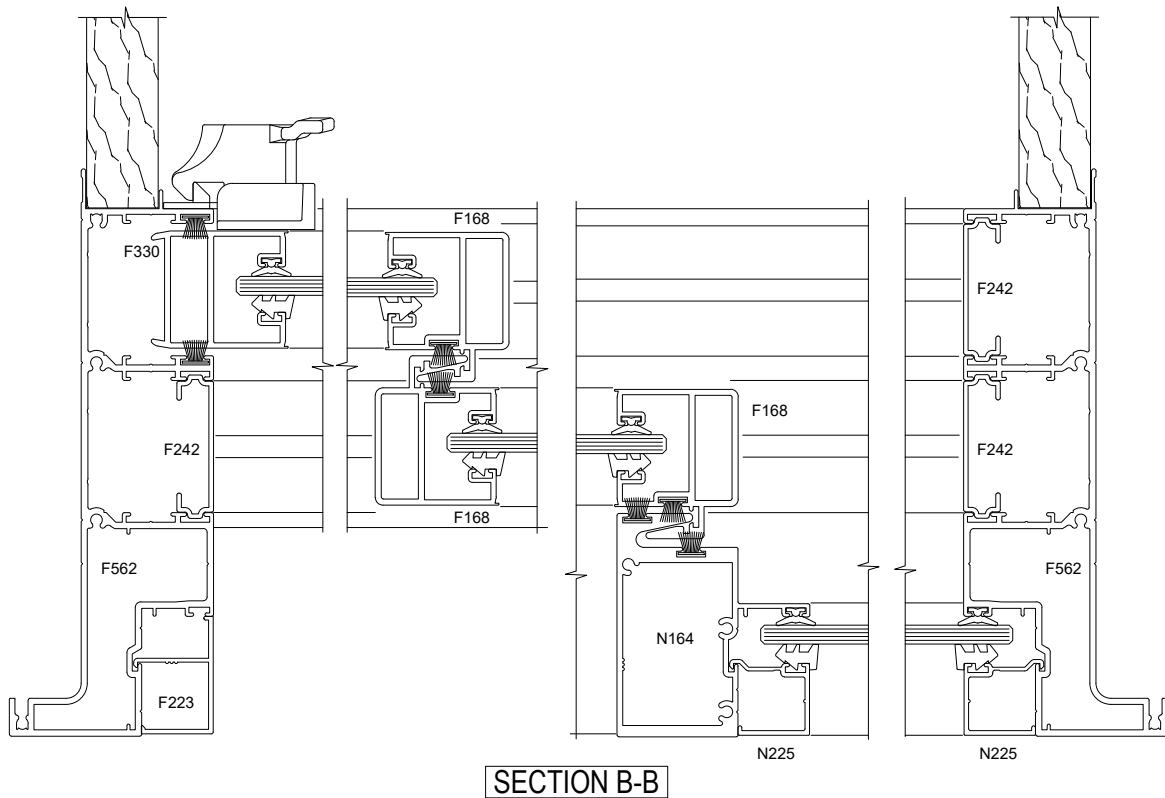
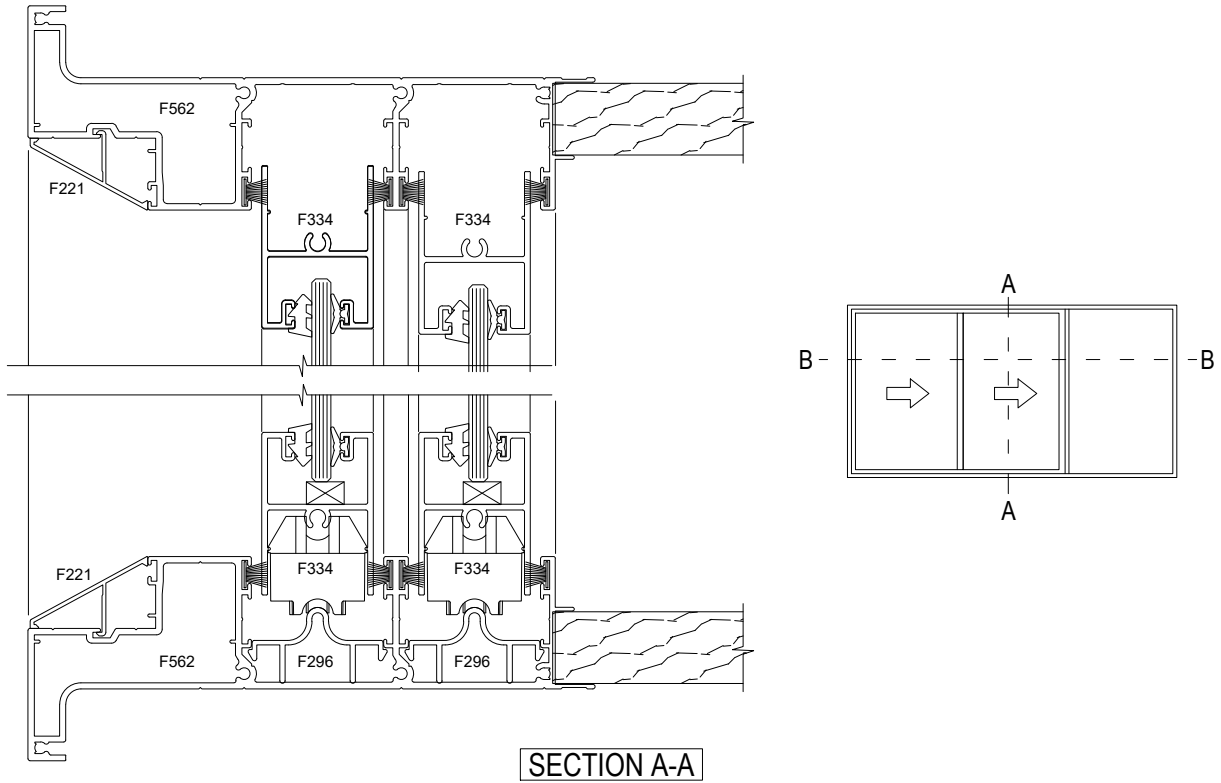


SLIDING WINDOW

FAIRVIEW SYSTEMS LIMITED SPECIFIERS GUIDE 2014 © TECHNICAL SPECIFICATIONS & PROFILE DETAILS SUBJECT TO CHANGE WITHOUT NOTICE

ARCHITECTURAL LINEAR 35 COMPLETE SUITE

| | |
|--------------------|--------------|
| DATE 12.06.2018 | SCALE 1:2 |
| REF. AL35.1022 | |

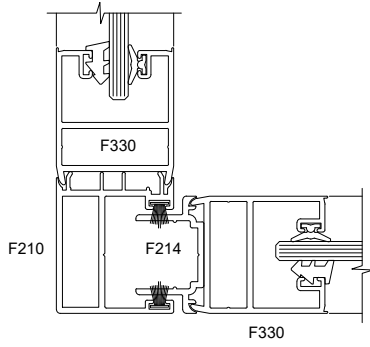


SLIDING WINDOW

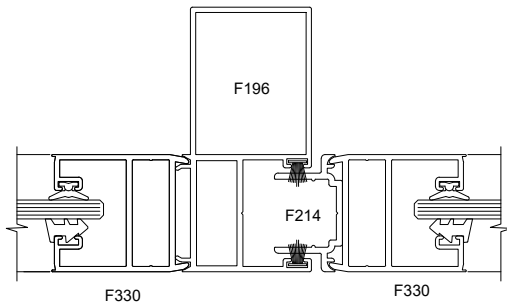
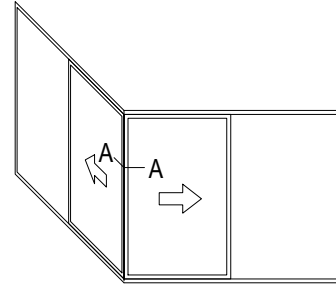
FAIRVIEW SYSTEMS LIMITED SPECIFIERS GUIDE 2014 © TECHNICAL SPECIFICATIONS & PROFILE DETAILS SUBJECT TO CHANGE WITHOUT NOTICE

ARCHITECTURAL LINEAR 35 COMPLETE SUITE

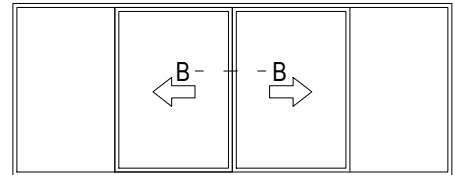
| | |
|--------------------|--------------|
| DATE 12.06.2018 | SCALE 1:2 |
| REF. AL35.1023 | |



SECTION A-A



SECTION B-B



SLIDING WINDOW

FAIRVIEW SYSTEMS LIMITED SPECIFIERS GUIDE 2014 © TECHNICAL SPECIFICATIONS & PROFILE DETAILS SUBJECT TO CHANGE WITHOUT NOTICE

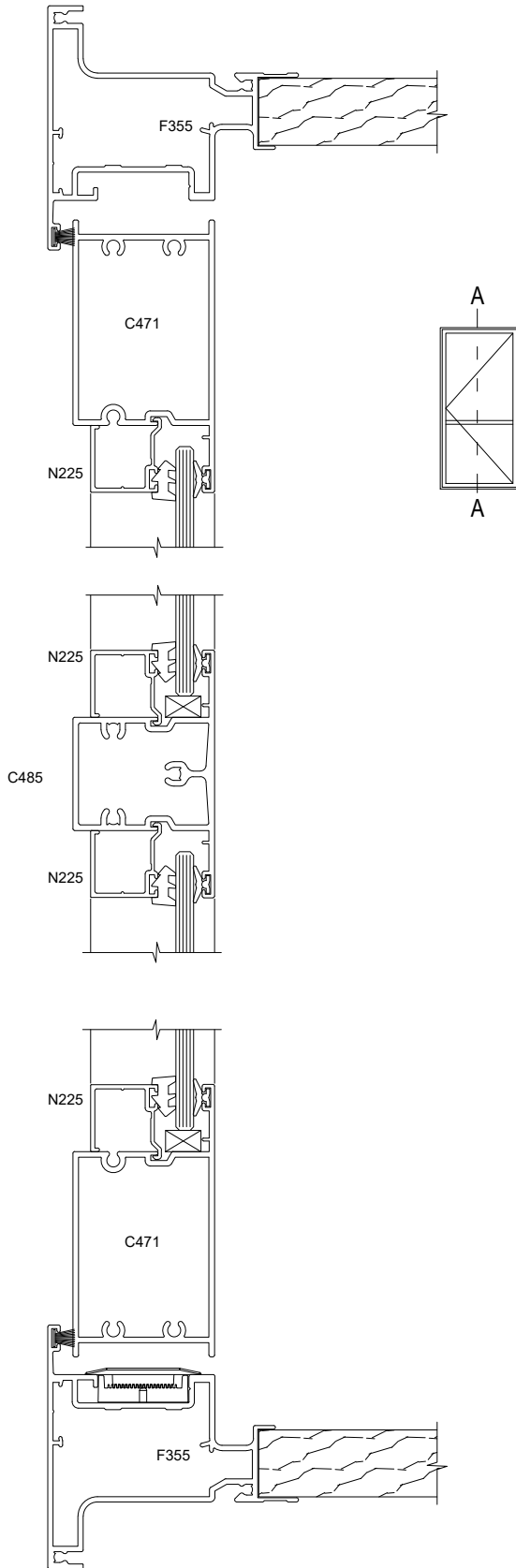
ARCHITECTURAL LINEAR 35 COMPLETE SUITE

DATE
12.06.2018

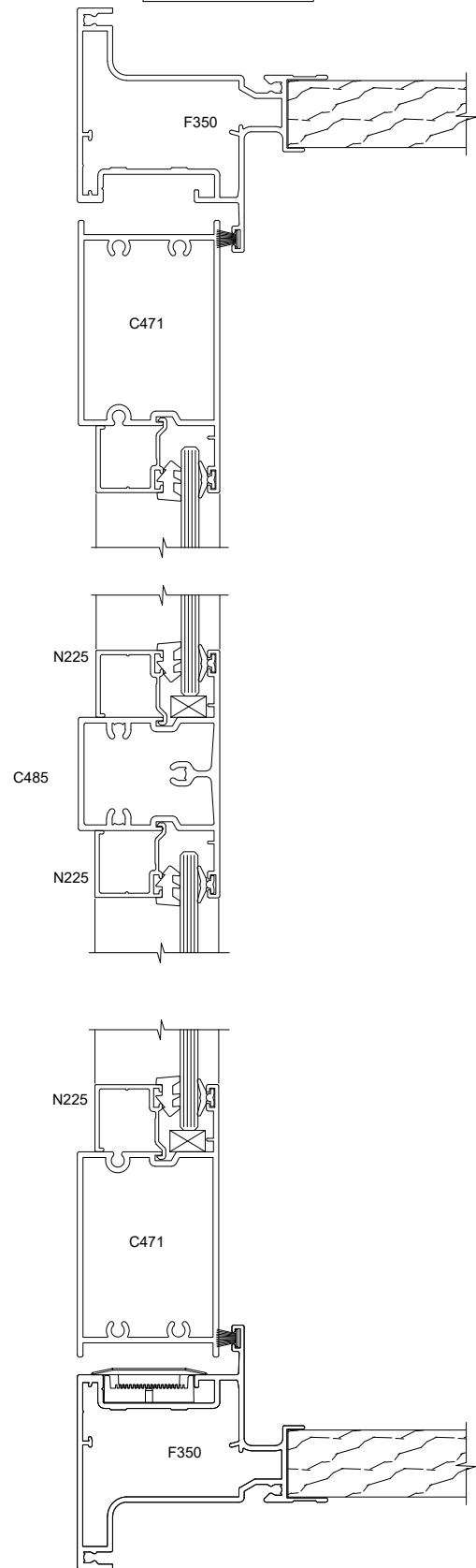
SCALE
1:2

REF. AL35.1024

SECTION A-A



SECTION A-A



HINGED DOOR

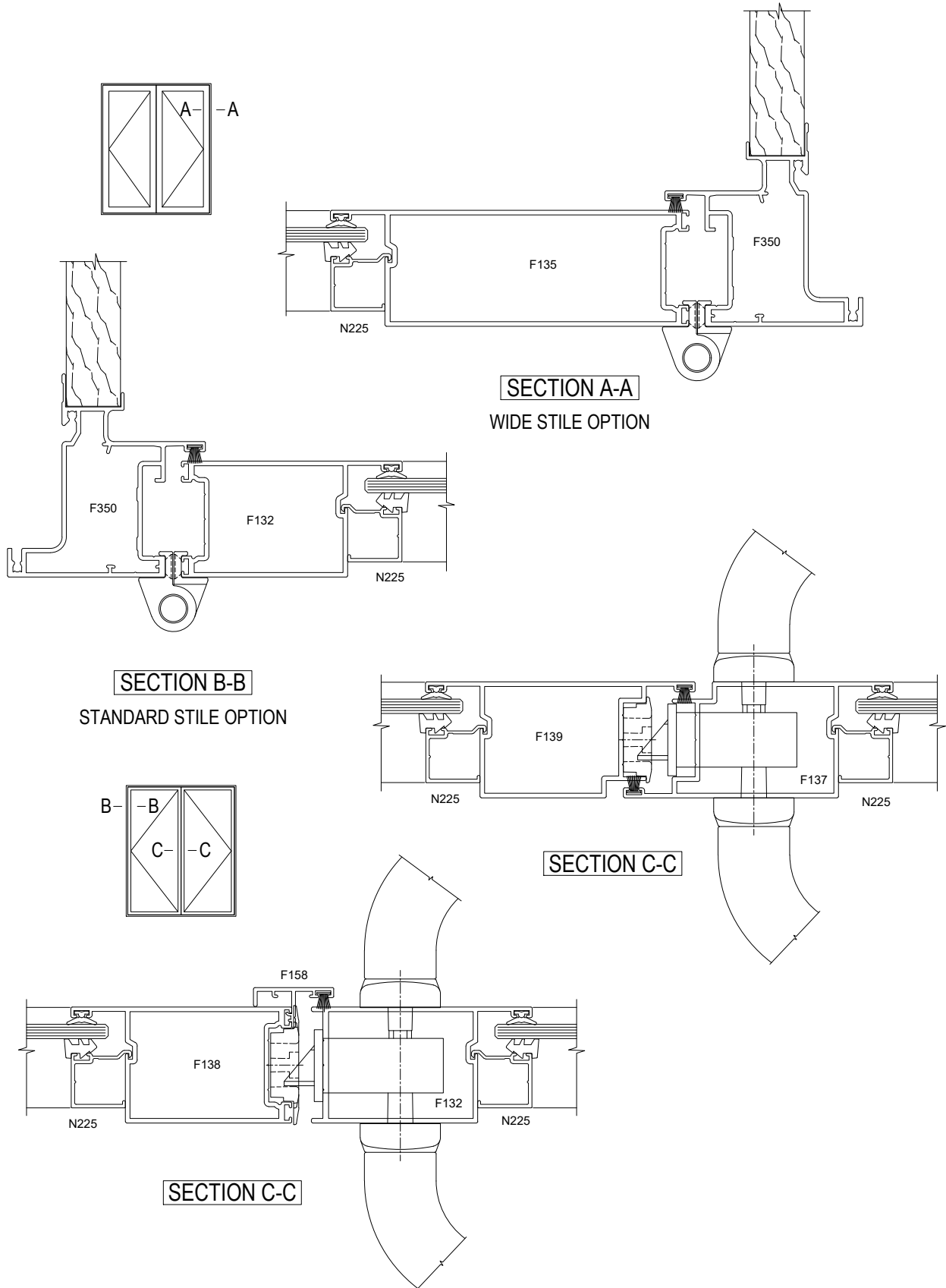
FAIRVIEW SYSTEMS LIMITED SPECIFIERS GUIDE 2014 © TECHNICAL SPECIFICATIONS & PROFILE DETAILS SUBJECT TO CHANGE WITHOUT NOTICE

ARCHITECTURAL LINEAR 35 COMPLETE SUITE

DATE
12.06.2018

SCALE
1:2

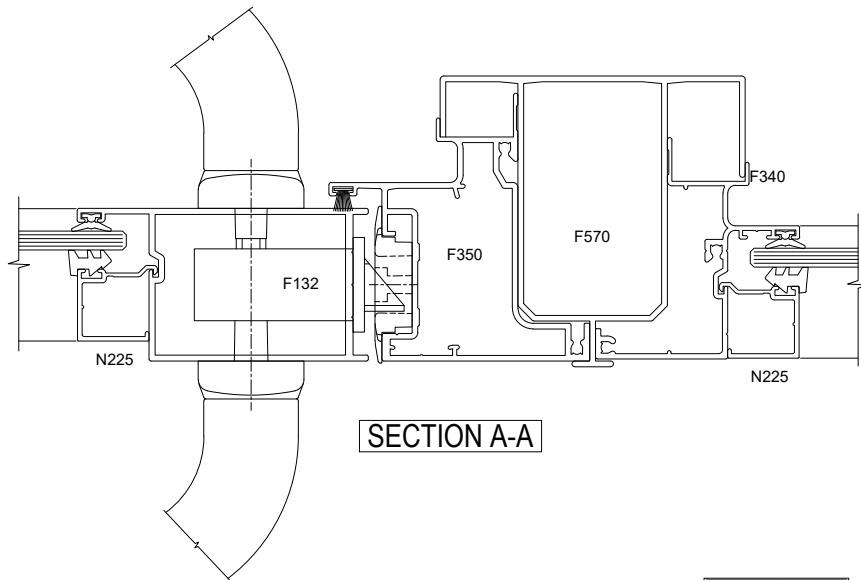
REF. AL35.1031



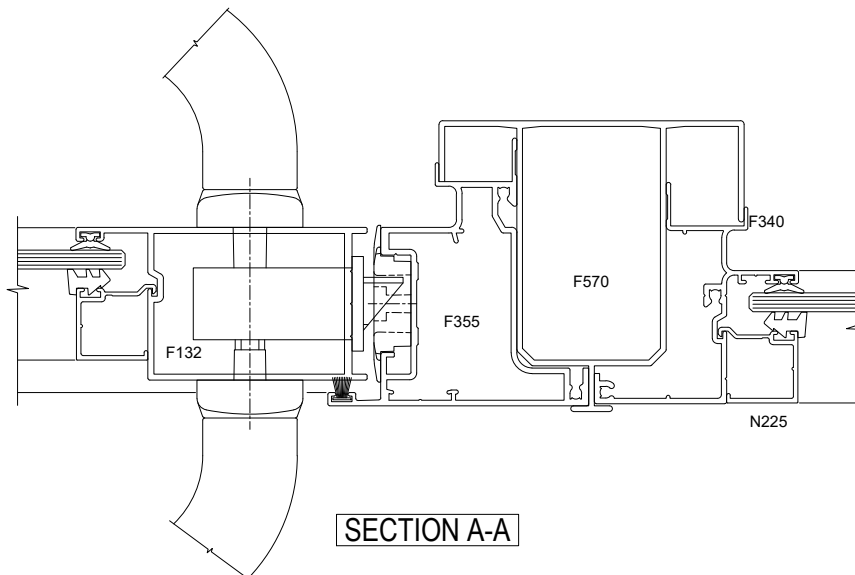
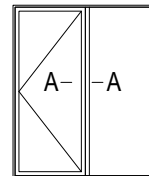
FAIRVIEW SYSTEMS LIMITED SPECIFIERS GUIDE 2014 © TECHNICAL SPECIFICATIONS & PROFILE DETAILS SUBJECT TO CHANGE WITHOUT NOTICE

ARCHITECTURAL LINEAR 35 COMPLETE SUITE

| | |
|--------------------|--------------|
| DATE 12.06.2018 | SCALE 1:2 |
| REF. AL35.1032 | |



SECTION A-A



SECTION A-A

HINGED DOOR

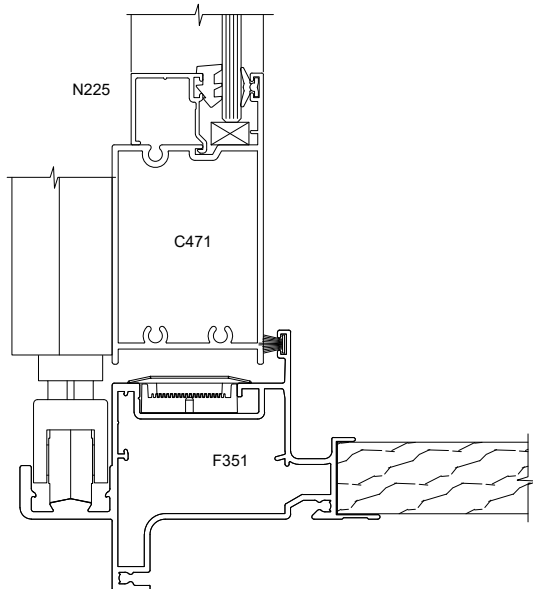
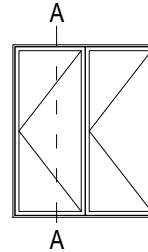
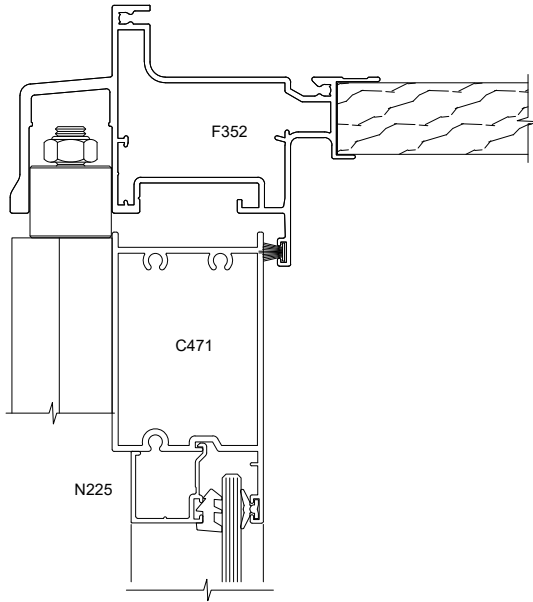
FAIRVIEW SYSTEMS LIMITED SPECIFIERS GUIDE 2014 © TECHNICAL SPECIFICATIONS & PROFILE DETAILS SUBJECT TO CHANGE WITHOUT NOTICE

ARCHITECTURAL LINEAR 35 COMPLETE SUITE

DATE
12.06.2018

SCALE
1:2

REF. AL35.1033



SECTION A-A

BOTTOM ROLLING BI-FOLD DOOR

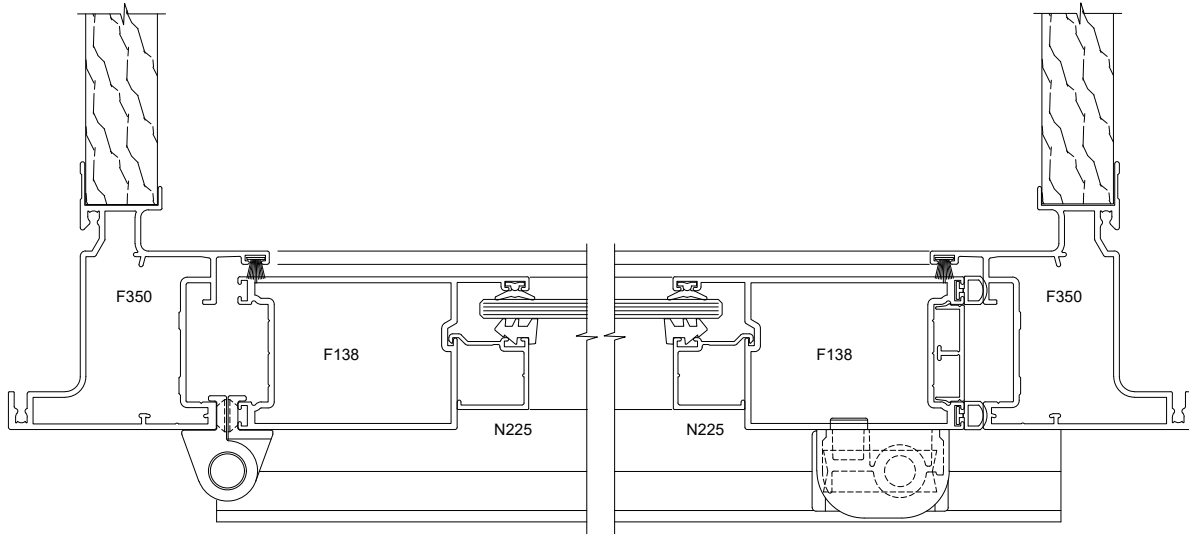
FAIRVIEW SYSTEMS LIMITED SPECIFIERS GUIDE 2014 © TECHNICAL SPECIFICATIONS & PROFILE DETAILS SUBJECT TO CHANGE WITHOUT NOTICE

ARCHITECTURAL LINEAR 35 COMPLETE SUITE

DATE
12.06.2018

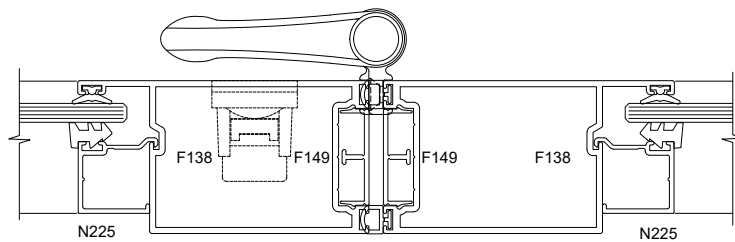
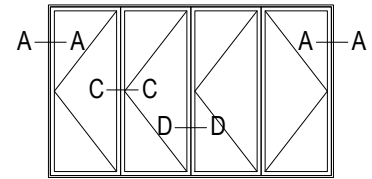
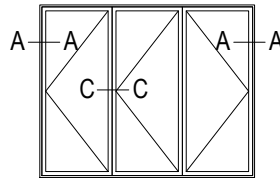
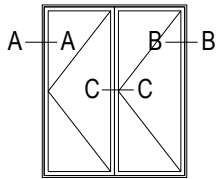
SCALE
1:2

REF. AL35.1041

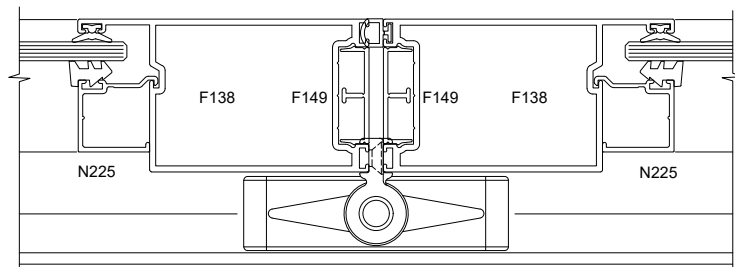


SECTION A-A

SECTION B-B



SECTION C-C



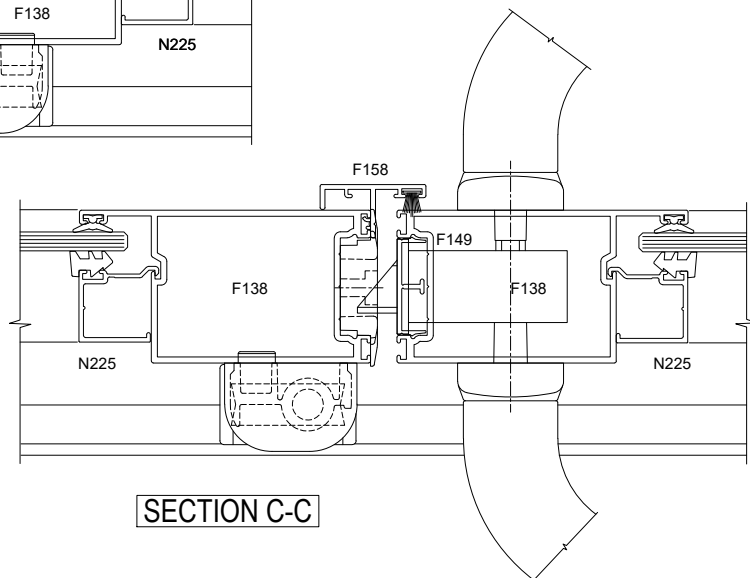
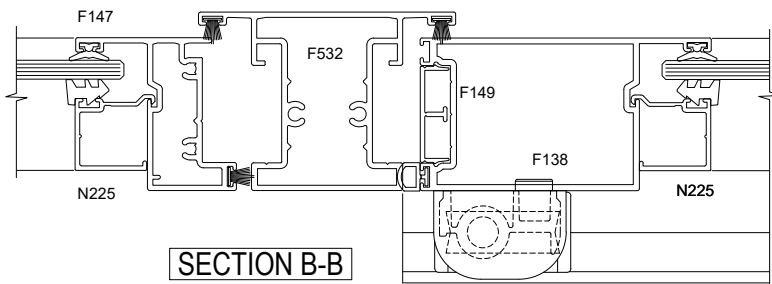
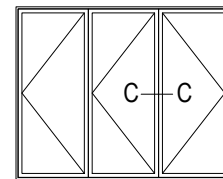
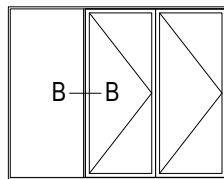
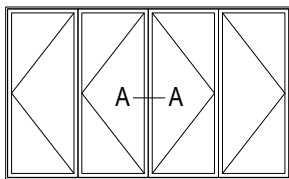
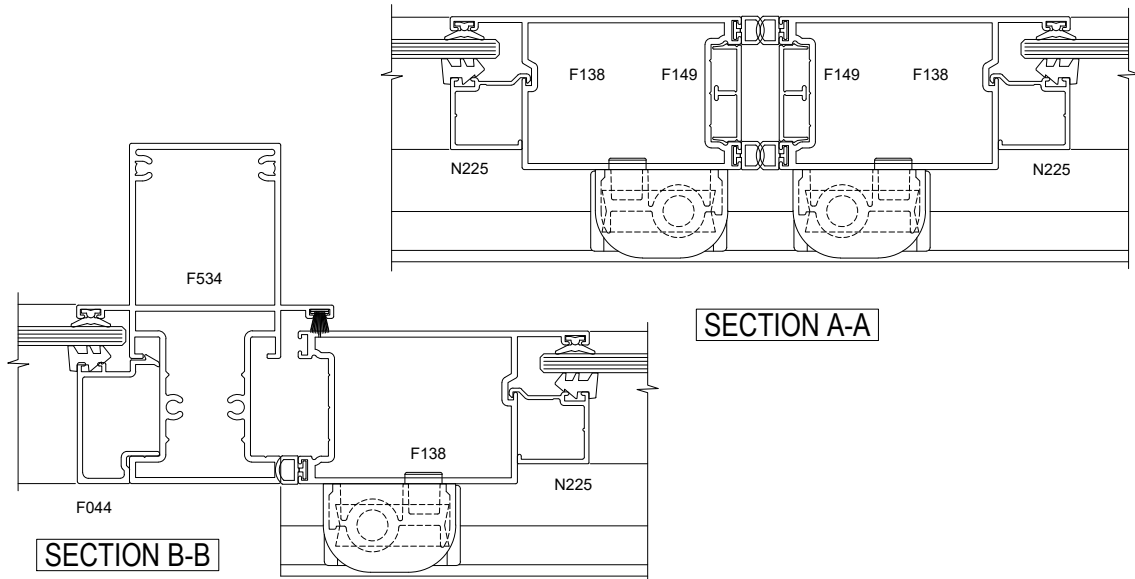
SECTION D-D

BOTTOM ROLLING BI-FOLD DOOR

FAIRVIEW SYSTEMS LIMITED SPECIFIERS GUIDE 2014 © TECHNICAL SPECIFICATIONS & PROFILE DETAILS SUBJECT TO CHANGE WITHOUT NOTICE

ARCHITECTURAL LINEAR 35 COMPLETE SUITE

| | |
|--------------------|--------------|
| DATE 12.06.2018 | SCALE 1:2 |
| REF. AL35.1042 | |

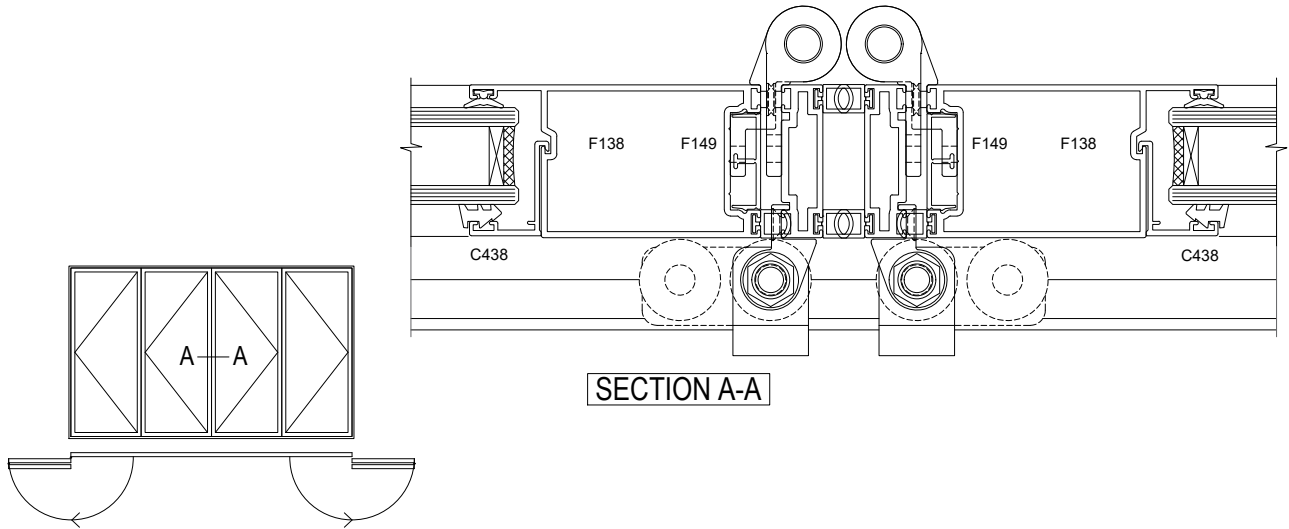


BOTTOM ROLLING BI-FOLD DOOR

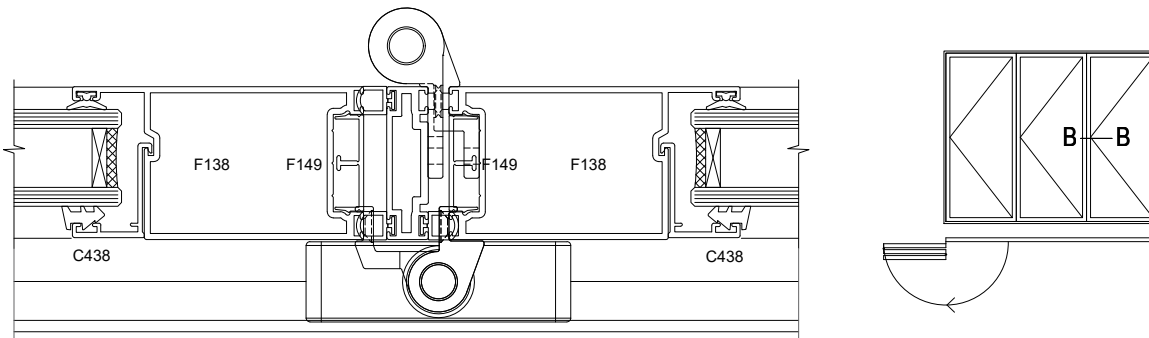
FAIRVIEW SYSTEMS LIMITED SPECIFIERS GUIDE 2014 © TECHNICAL SPECIFICATIONS & PROFILE DETAILS SUBJECT TO CHANGE WITHOUT NOTICE

ARCHITECTURAL LINEAR 35 COMPLETE SUITE

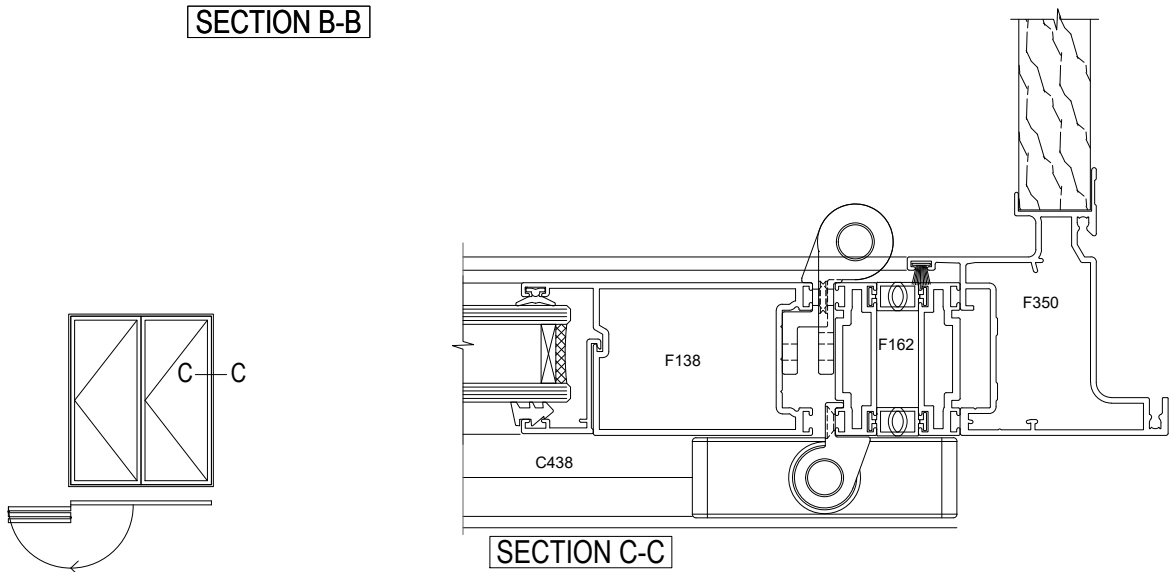
| | |
|--------------------|--------------|
| DATE 12.06.2018 | SCALE 1:2 |
| REF. AL35.1043 | |



SECTION A-A



SECTION B-B



SECTION C-C

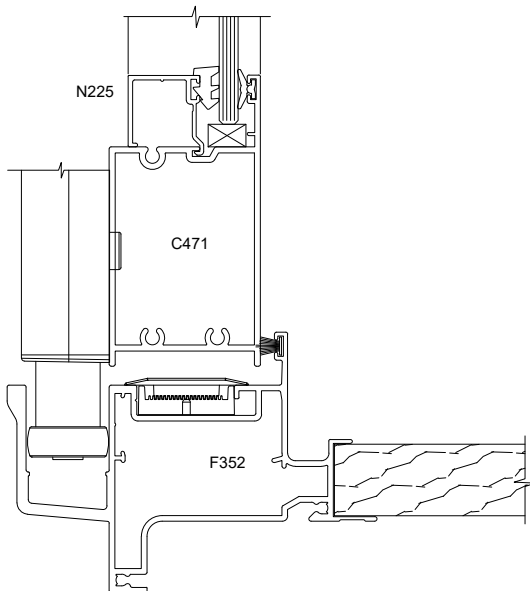
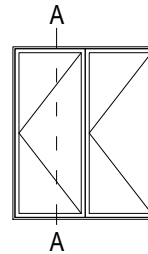
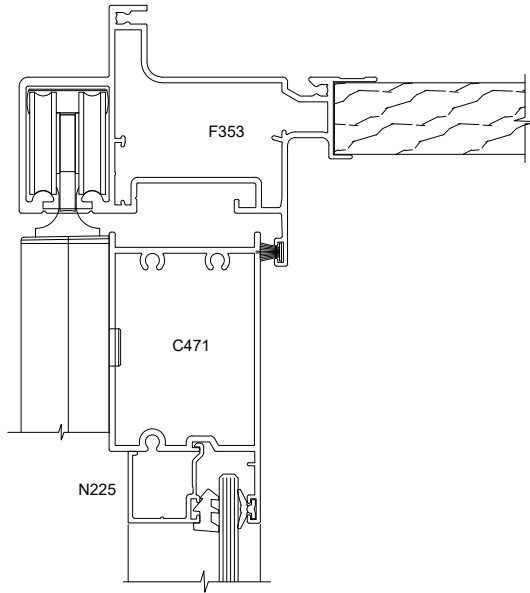
FREEFOLD

BOTTOM ROLLING BI-FOLD DOOR

FAIRVIEW SYSTEMS LIMITED SPECIFIERS GUIDE 2014 © TECHNICAL SPECIFICATIONS & PROFILE DETAILS SUBJECT TO CHANGE WITHOUT NOTICE

ARCHITECTURAL LINEAR 35 COMPLETE SUITE

| | |
|--------------------|--------------|
| DATE 12.06.2018 | SCALE 1:2 |
| REF. AL35.1044 | |



SECTION A-A

TOP HUNG CHANEL GUIDE BI-FOLD DOOR

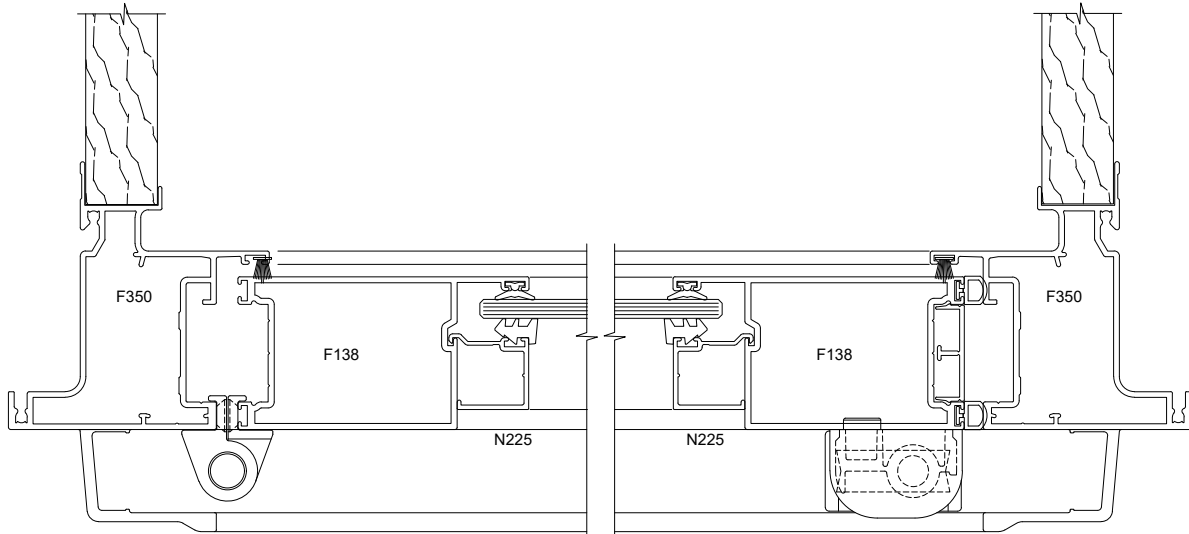
FAIRVIEW SYSTEMS LIMITED SPECIFIERS GUIDE 2014 © TECHNICAL SPECIFICATIONS & PROFILE DETAILS SUBJECT TO CHANGE WITHOUT NOTICE

ARCHITECTURAL LINEAR 35 COMPLETE SUITE

DATE
12.06.2018

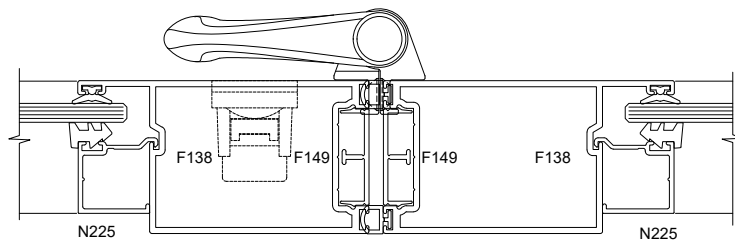
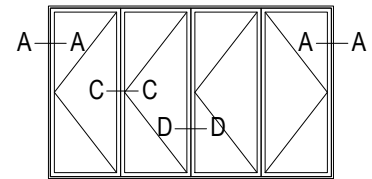
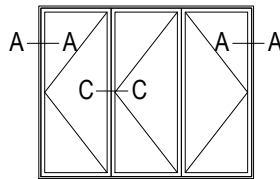
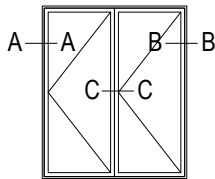
SCALE
1:2

REF. AL35.1051

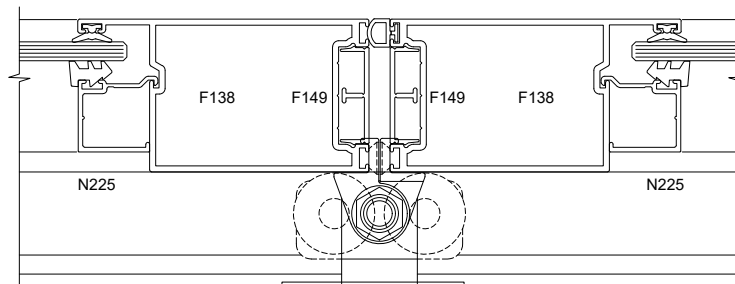


SECTION A-A

SECTION B-B



SECTION C-C



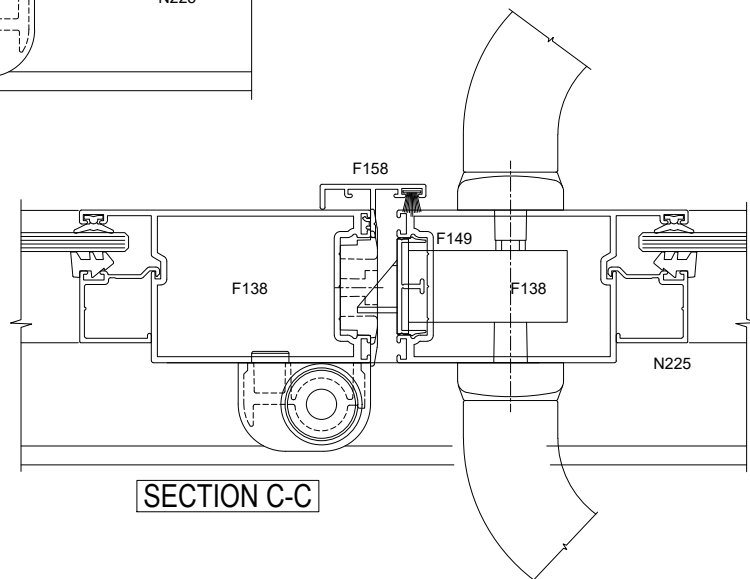
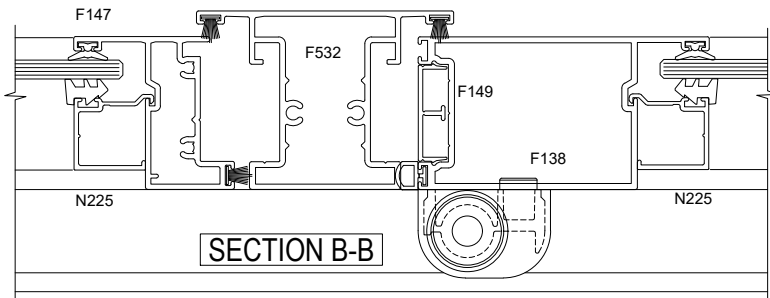
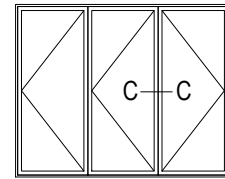
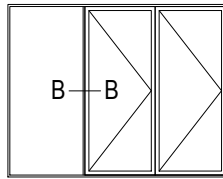
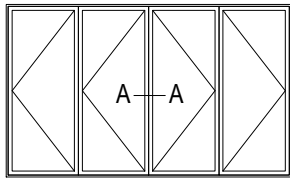
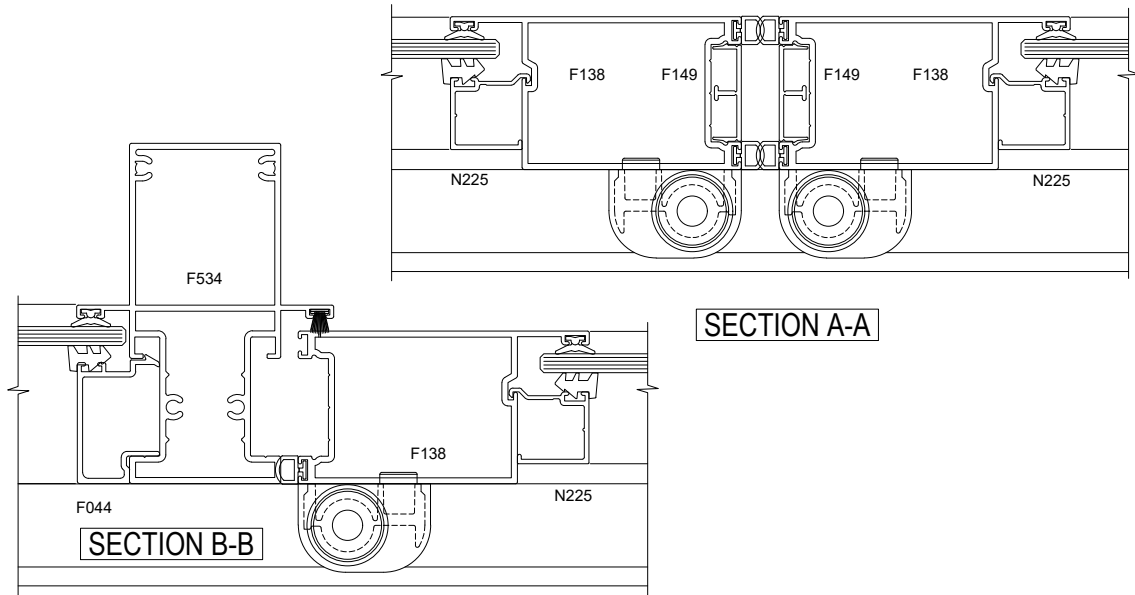
SECTION D-D

TOP HUNG CHANEL GUIDE BI-FOLD DOOR

FAIRVIEW SYSTEMS LIMITED SPECIFIERS GUIDE 2014 © TECHNICAL SPECIFICATIONS & PROFILE DETAILS SUBJECT TO CHANGE WITHOUT NOTICE

ARCHITECTURAL LINEAR 35 COMPLETE SUITE

| | |
|--------------------|--------------|
| DATE 12.06.2018 | SCALE 1:2 |
| REF. AL35.1052 | |

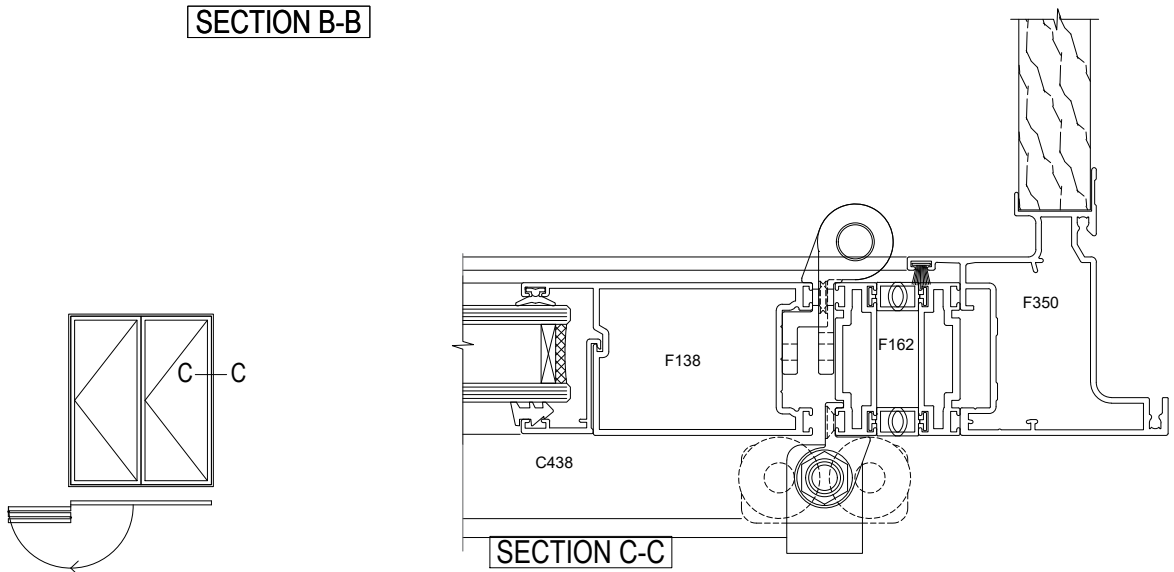
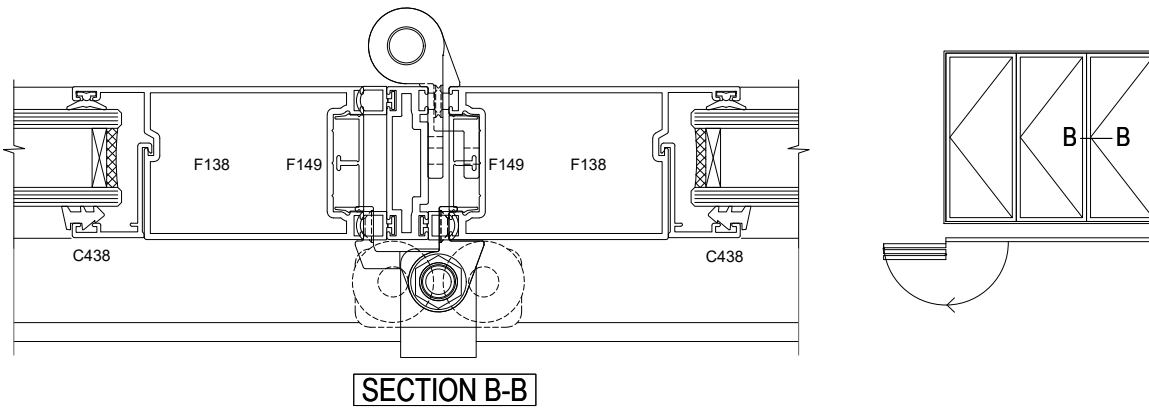
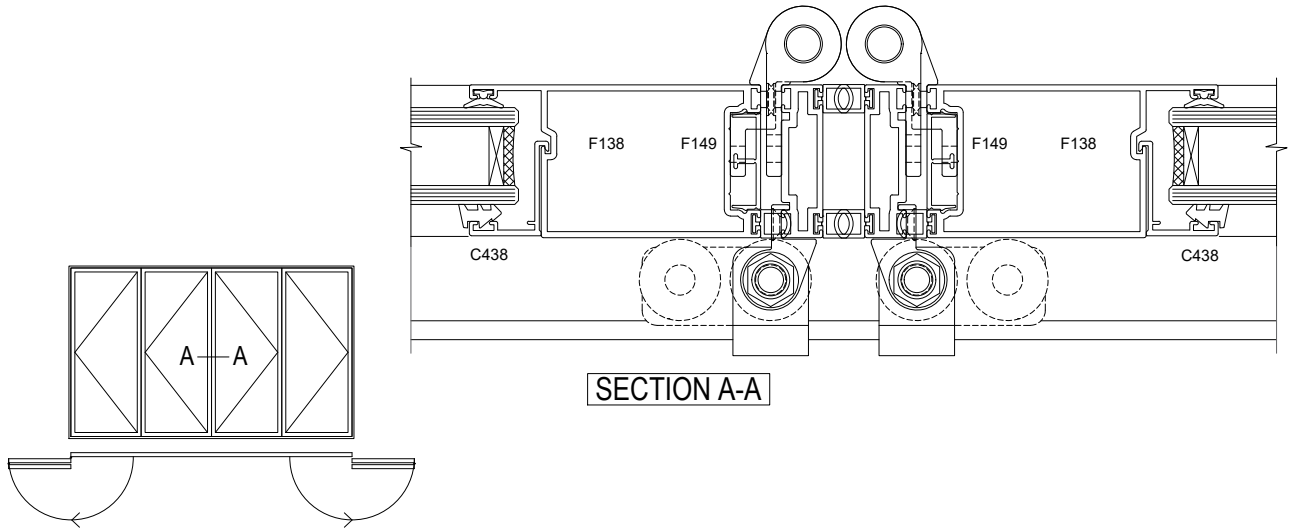


TOP HUNG CHANEL GUIDE BI-FOLD DOOR

FAIRVIEW SYSTEMS LIMITED SPECIFIERS GUIDE 2014 © TECHNICAL SPECIFICATIONS & PROFILE DETAILS SUBJECT TO CHANGE WITHOUT NOTICE

ARCHITECTURAL LINEAR 35 COMPLETE SUITE

| | |
|--------------------|--------------|
| DATE 12.06.2018 | SCALE 1:2 |
| REF. AL35.1053 | |



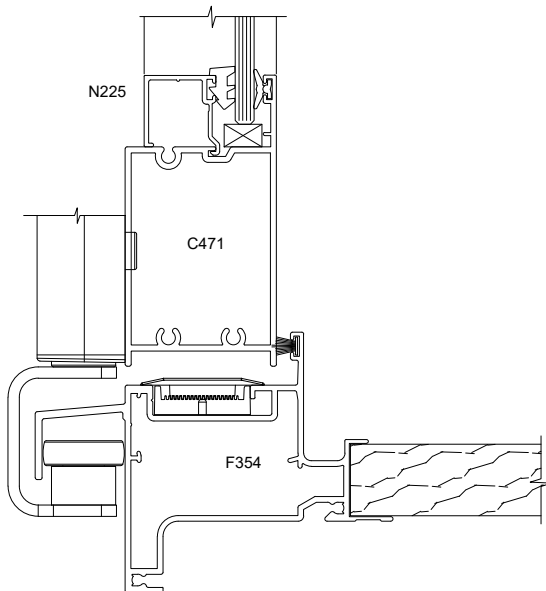
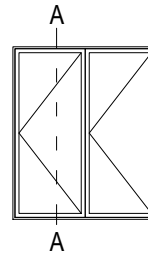
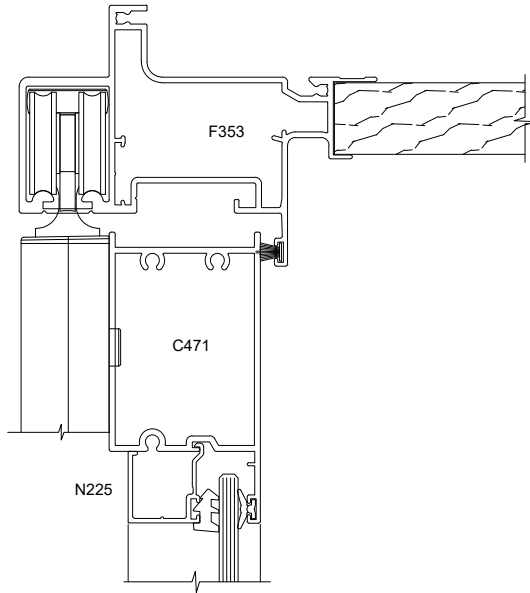
FREEFOLD

TOP HUNG CHANEL GUIDE BI-FOLD DOOR

FAIRVIEW SYSTEMS LIMITED SPECIFIERS GUIDE 2014 © TECHNICAL SPECIFICATIONS & PROFILE DETAILS SUBJECT TO CHANGE WITHOUT NOTICE

ARCHITECTURAL LINEAR 35 COMPLETE SUITE

| | |
|--------------------|--------------|
| DATE 12.06.2018 | SCALE 1:2 |
| REF. AL35.1054 | |



SECTION A-A

TOP HUNG HOODED GUIDE BI-FOLD DOOR

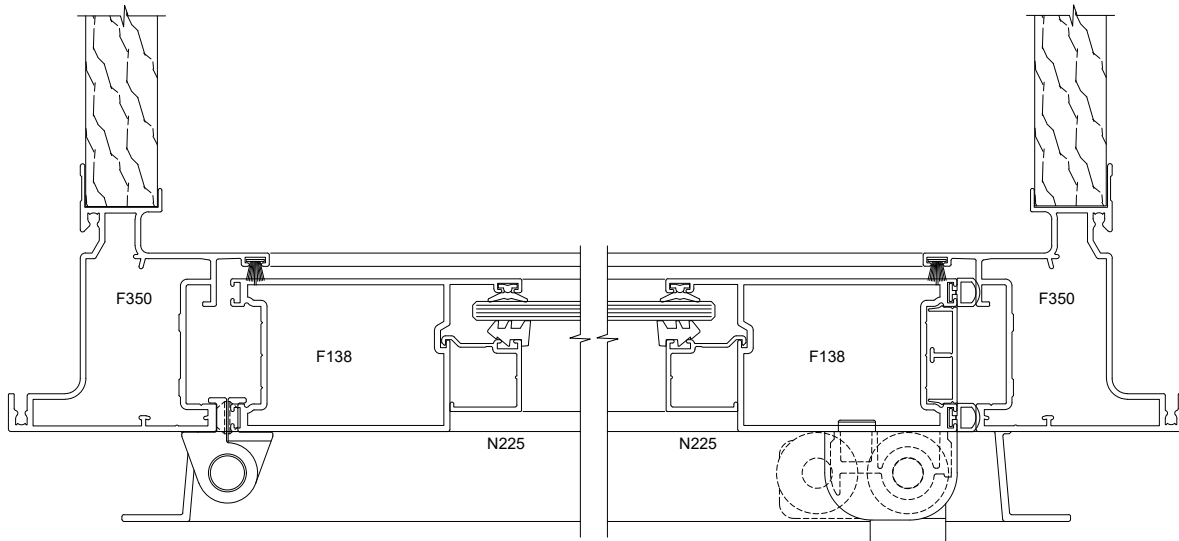
FAIRVIEW SYSTEMS LIMITED SPECIFIERS GUIDE 2014 © TECHNICAL SPECIFICATIONS & PROFILE DETAILS SUBJECT TO CHANGE WITHOUT NOTICE

ARCHITECTURAL LINEAR 35 COMPLETE SUITE

DATE
12.06.2018

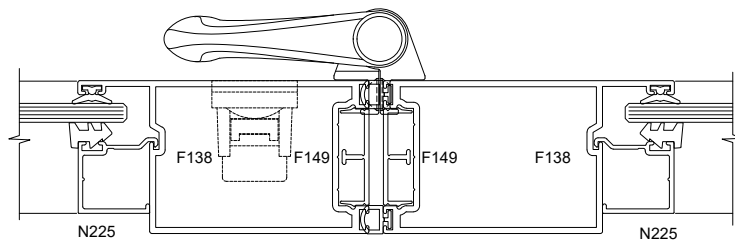
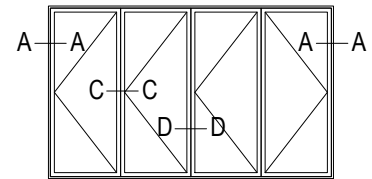
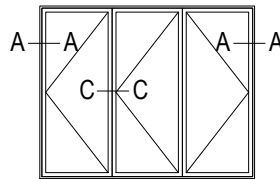
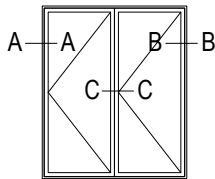
SCALE
1:2

REF. AL35.1061

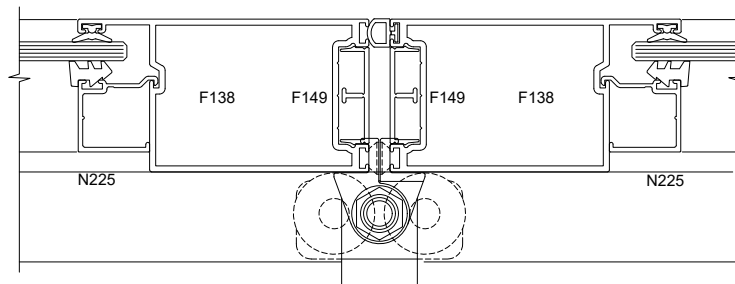


SECTION A-A

SECTION B-B



SECTION C-C



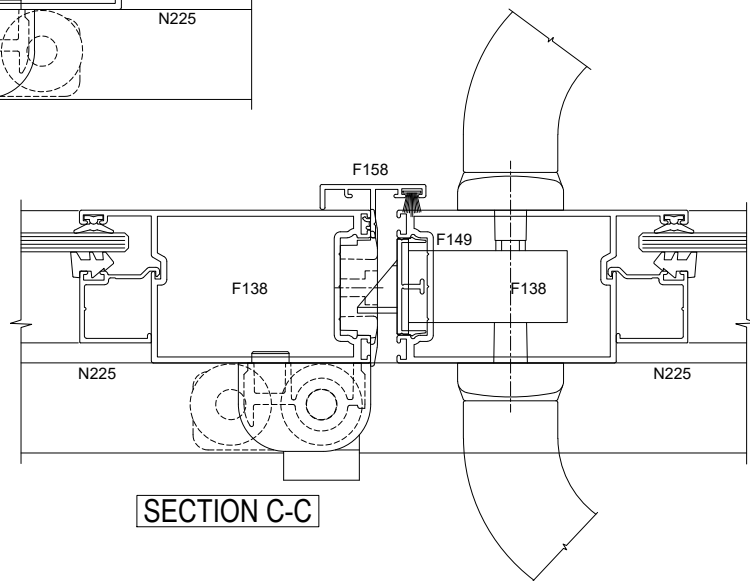
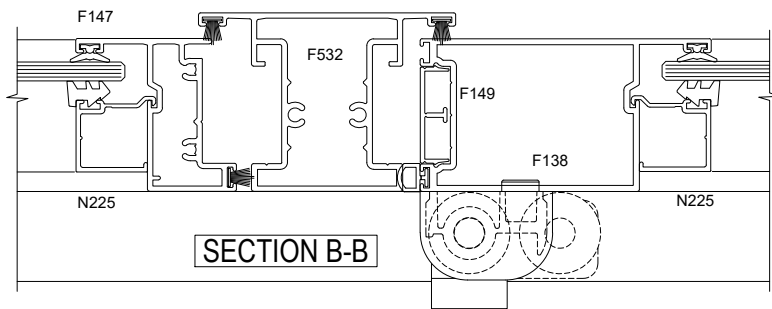
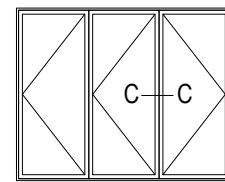
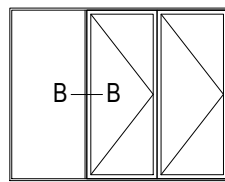
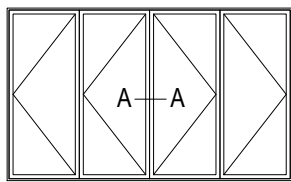
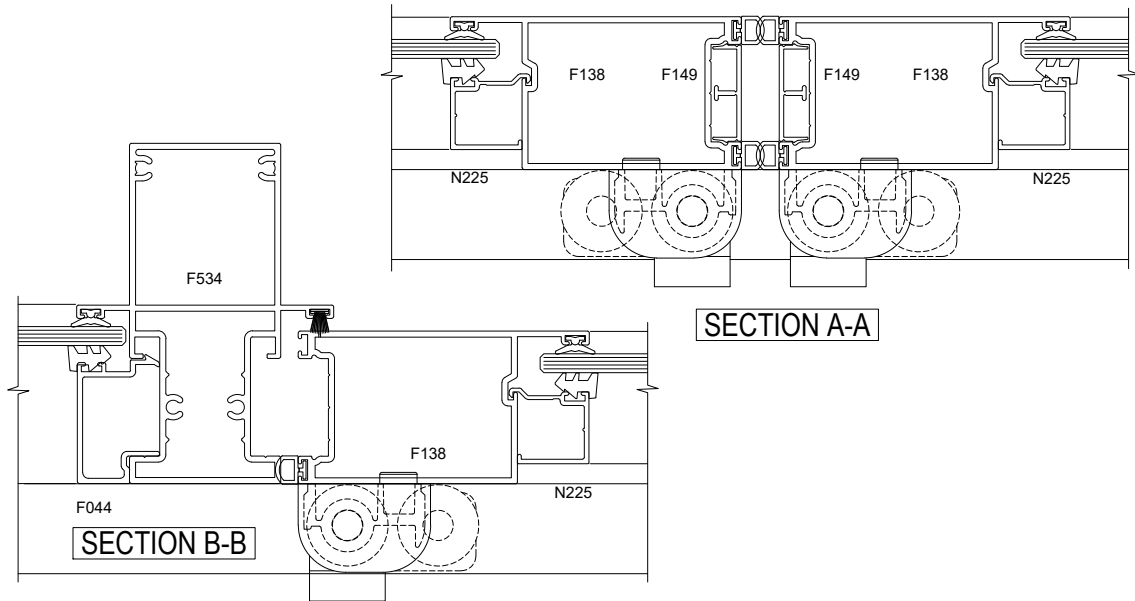
SECTION D-D

TOP HUNG HOODED GUIDE BI-FOLD DOOR

FAIRVIEW SYSTEMS LIMITED SPECIFIERS GUIDE 2014 © TECHNICAL SPECIFICATIONS & PROFILE DETAILS SUBJECT TO CHANGE WITHOUT NOTICE

ARCHITECTURAL LINEAR 35 COMPLETE SUITE

| | |
|--------------------|--------------|
| DATE 12.06.2018 | SCALE 1:2 |
| REF. AL35.1062 | |

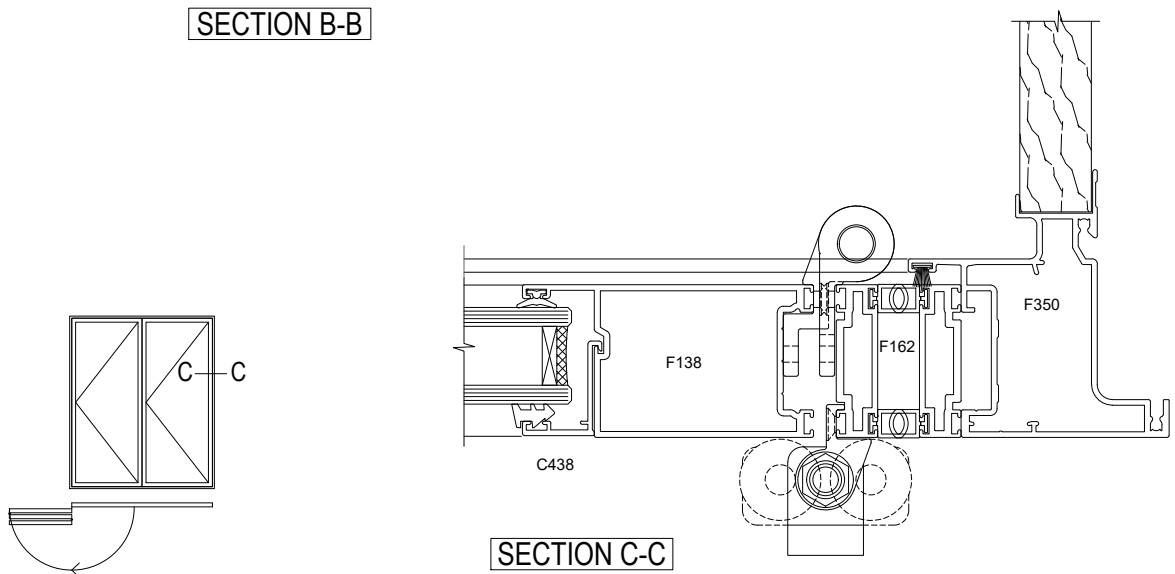
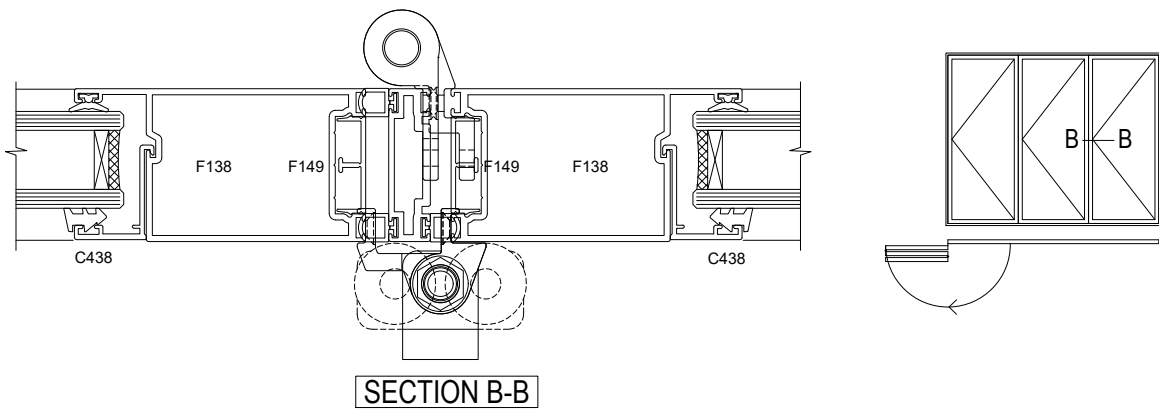
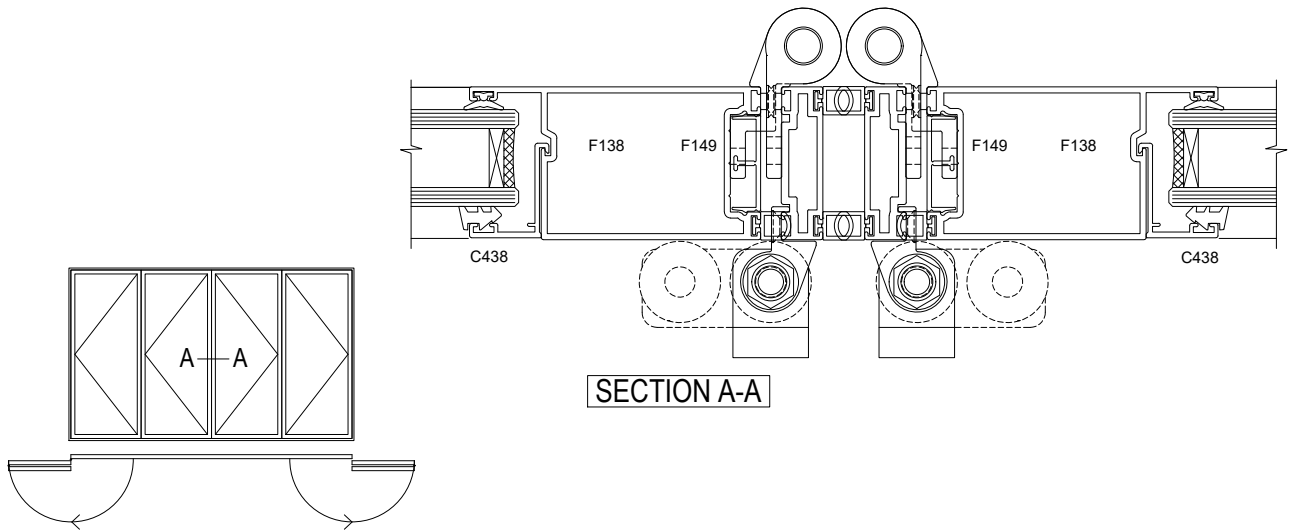


TOP HUNG HOODED GUIDE BI-FOLD DOOR

FAIRVIEW SYSTEMS LIMITED SPECIFIERS GUIDE 2014 © TECHNICAL SPECIFICATIONS & PROFILE DETAILS SUBJECT TO CHANGE WITHOUT NOTICE

ARCHITECTURAL LINEAR 35 COMPLETE SUITE

| | |
|--------------------|--------------|
| DATE 12.06.2018 | SCALE 1:2 |
| REF. AL35.1063 | |



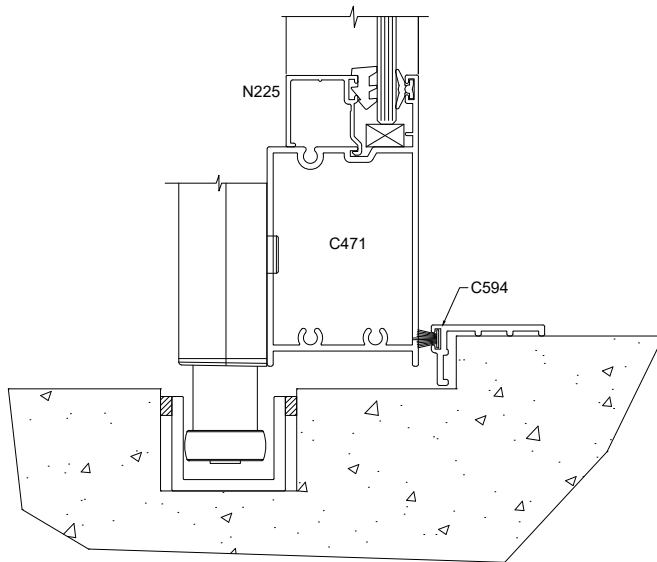
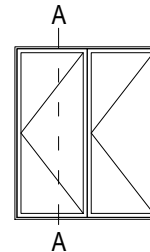
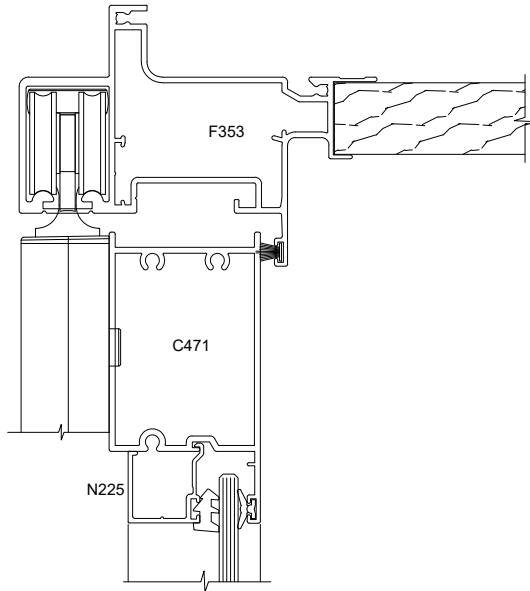
FREEFOLD

TOP HUNG HOODED GUIDE BI-FOLD DOOR

FAIRVIEW SYSTEMS LIMITED SPECIFIERS GUIDE 2014 © TECHNICAL SPECIFICATIONS & PROFILE DETAILS SUBJECT TO CHANGE WITHOUT NOTICE

ARCHITECTURAL LINEAR 35 COMPLETE SUITE

| | |
|--------------------|--------------|
| DATE 12.06.2018 | SCALE 1:2 |
| REF. AL35.1064 | |



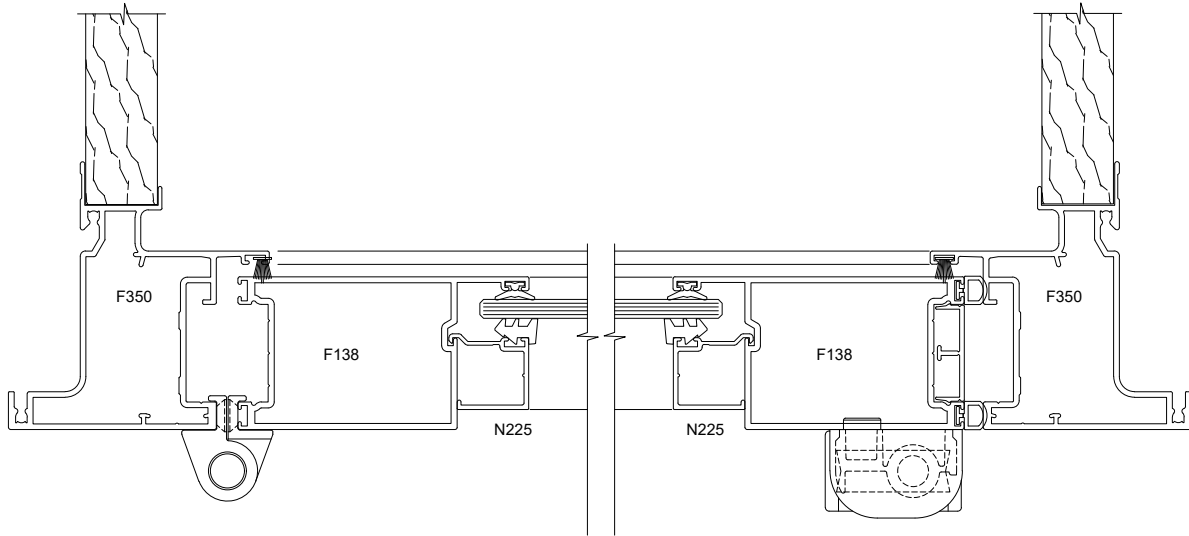
SECTION A-A

TOP HUNG NON-WEATHERED GUIDE BI-FOLD DOOR

FAIRVIEW SYSTEMS LIMITED SPECIFIERS GUIDE 2014 © TECHNICAL SPECIFICATIONS & PROFILE DETAILS SUBJECT TO CHANGE WITHOUT NOTICE

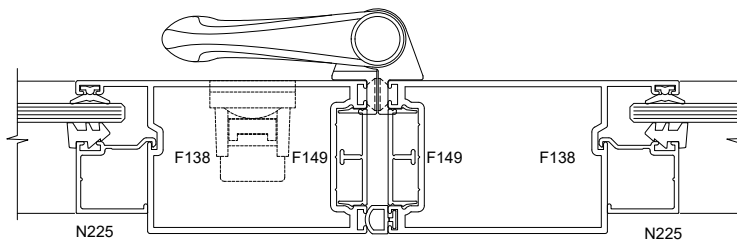
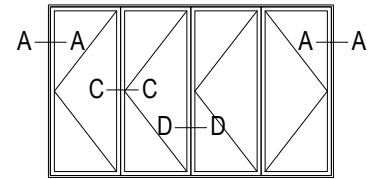
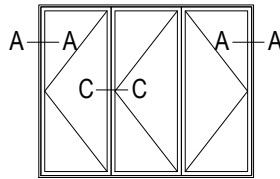
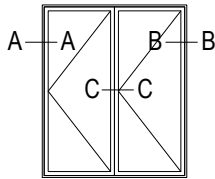
ARCHITECTURAL LINEAR 35 COMPLETE SUITE

| | |
|--------------------|--------------|
| DATE 12.06.2018 | SCALE 1:2 |
| REF. AL35.1071 | |

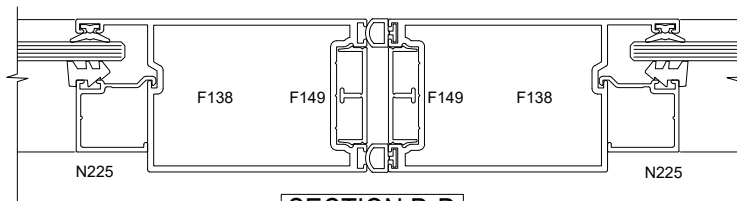


SECTION A-A

SECTION B-B



SECTION C-C



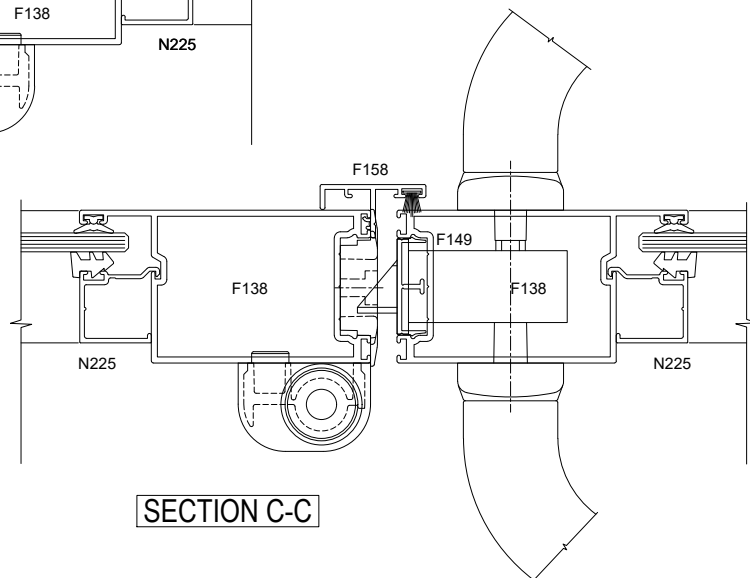
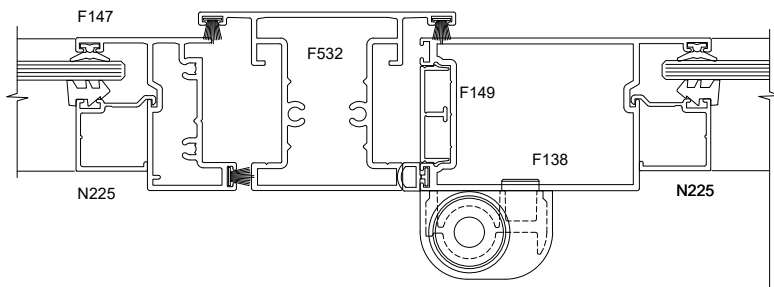
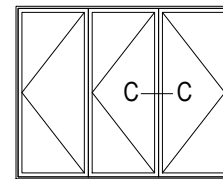
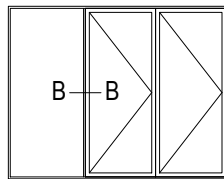
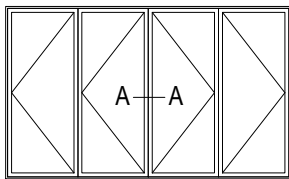
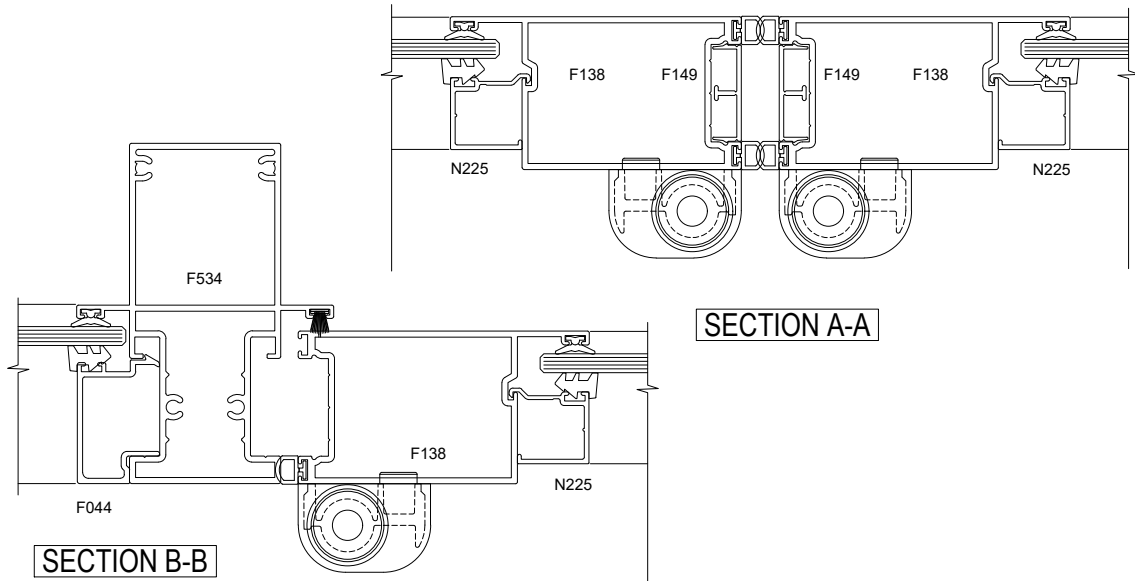
SECTION D-D

TOP HUNG NON-WEATHERED GUIDE BI-FOLD DOOR

FAIRVIEW SYSTEMS LIMITED SPECIFIERS GUIDE 2014 © TECHNICAL SPECIFICATIONS & PROFILE DETAILS SUBJECT TO CHANGE WITHOUT NOTICE

ARCHITECTURAL LINEAR 35 COMPLETE SUITE

| | |
|--------------------|--------------|
| DATE 12.06.2018 | SCALE 1:2 |
| REF. AL35.1072 | |

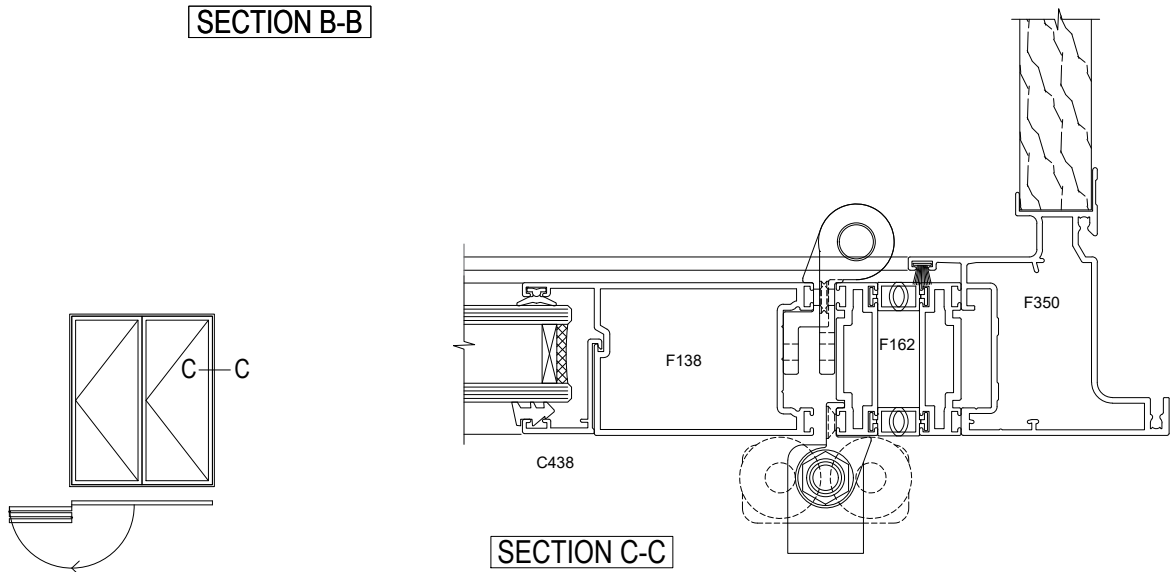
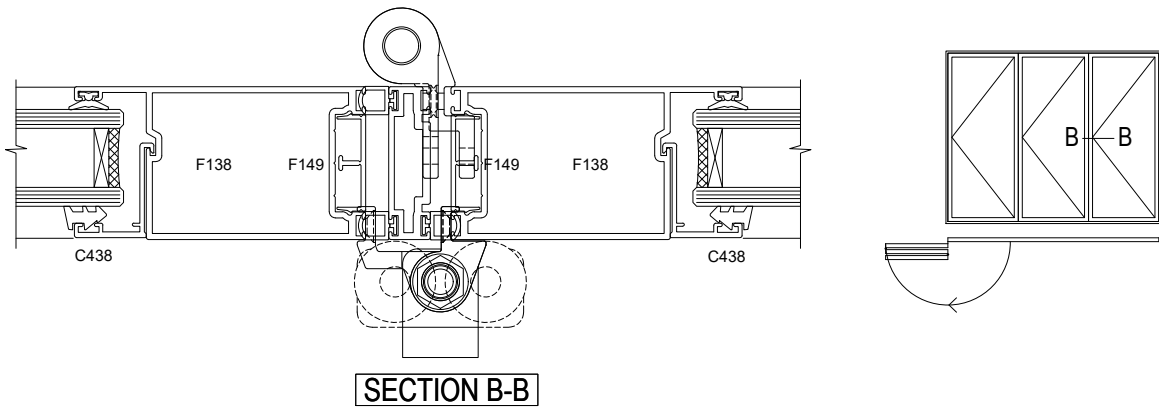
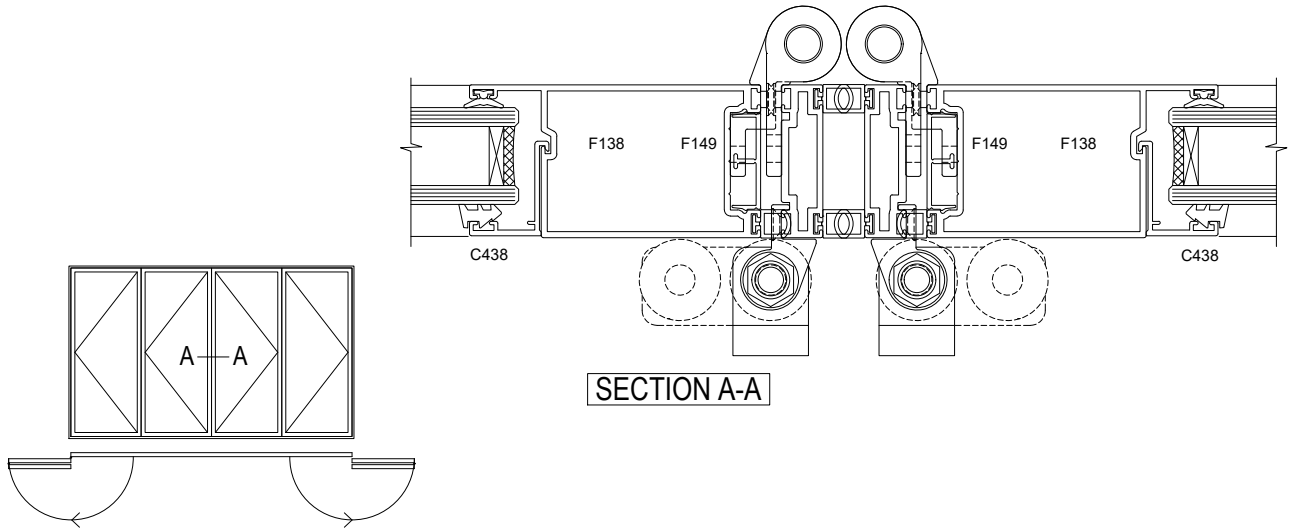


TOP HUNG NON-WEATHERED GUIDE BI-FOLD DOOR

FAIRVIEW SYSTEMS LIMITED SPECIFIERS GUIDE 2014 © TECHNICAL SPECIFICATIONS & PROFILE DETAILS SUBJECT TO CHANGE WITHOUT NOTICE

ARCHITECTURAL LINEAR 35 COMPLETE SUITE

| | |
|--------------------|--------------|
| DATE 12.06.2018 | SCALE 1:2 |
| REF. AL35.1073 | |



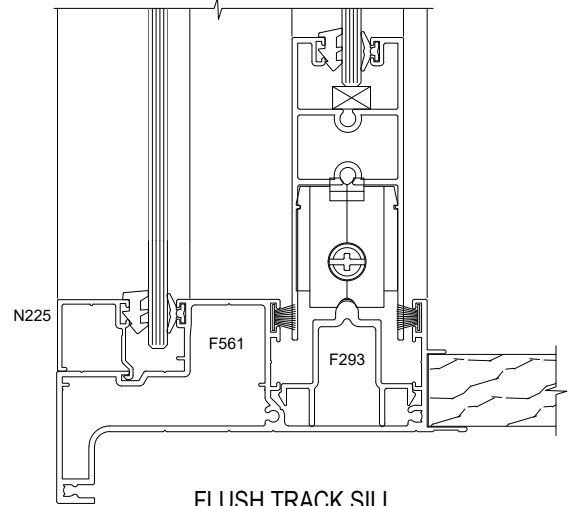
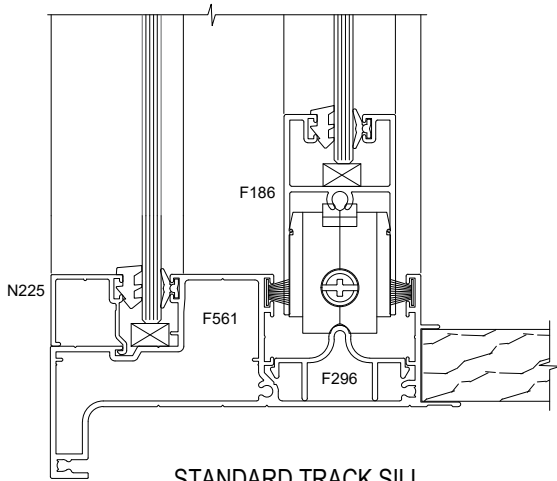
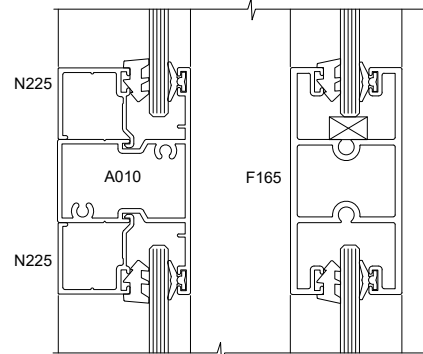
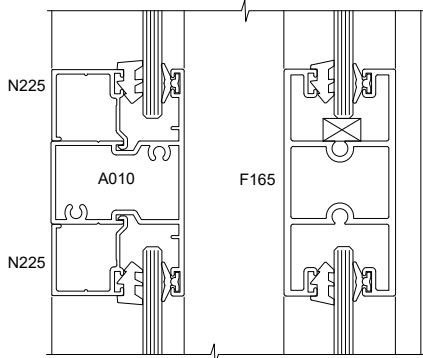
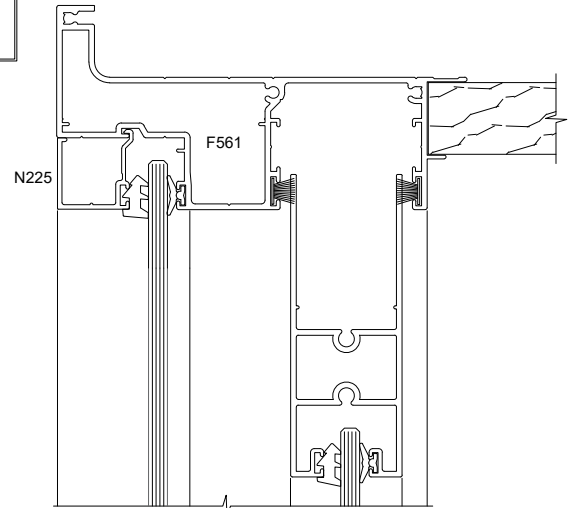
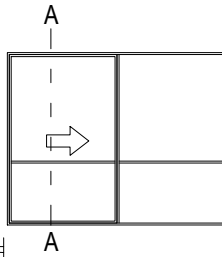
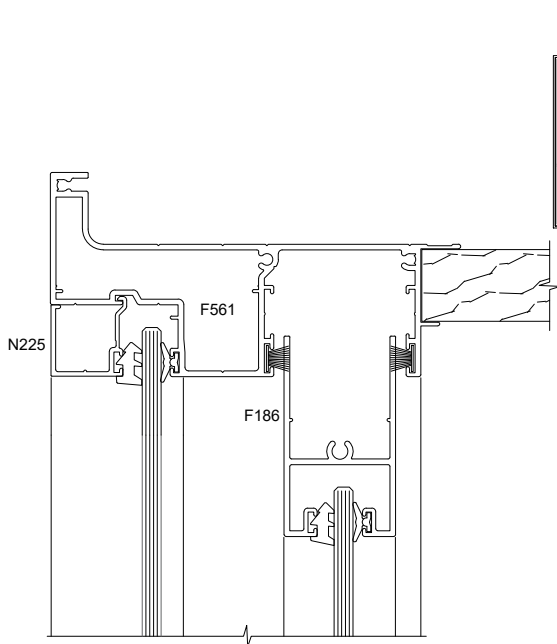
FREEFOLD

TOP HUNG NON-WEATHERED GUIDE BI-FOLD DOOR

FAIRVIEW SYSTEMS LIMITED SPECIFIERS GUIDE 2014 © TECHNICAL SPECIFICATIONS & PROFILE DETAILS SUBJECT TO CHANGE WITHOUT NOTICE

ARCHITECTURAL LINEAR 35 COMPLETE SUITE

| | |
|--------------------|--------------|
| DATE 12.06.2018 | SCALE 1:2 |
| REF. AL35.1074 | |



STANDARD TRACK SILL

FLUSH TRACK SILL

SECTION A-A

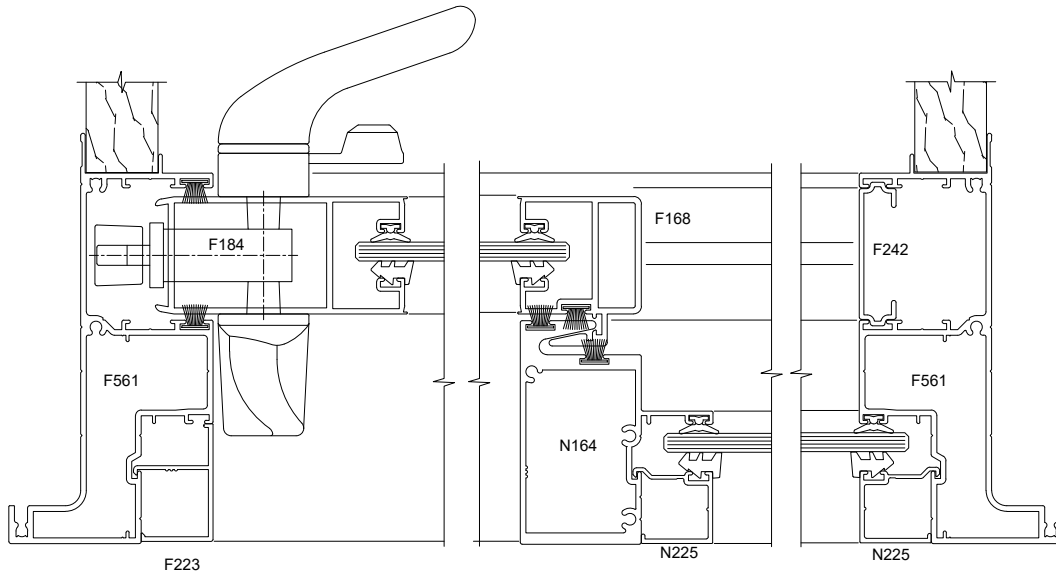
SECTION A-A

SLIDING DOOR

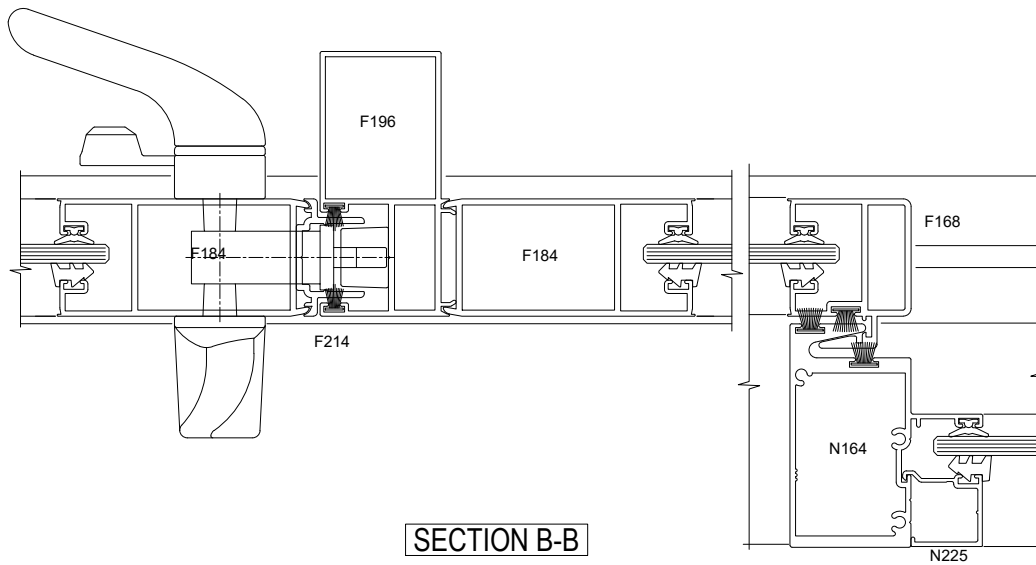
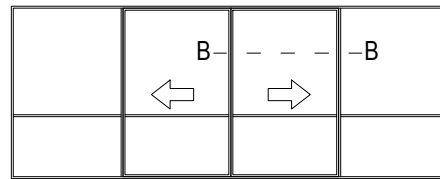
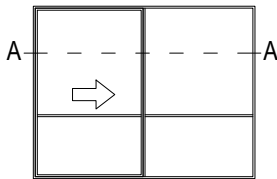
FAIRVIEW SYSTEMS LIMITED SPECIFIERS GUIDE 2014 © TECHNICAL SPECIFICATIONS & PROFILE DETAILS SUBJECT TO CHANGE WITHOUT NOTICE

ARCHITECTURAL LINEAR 35 COMPLETE SUITE

| | |
|--------------------|--------------|
| DATE 12.06.2018 | SCALE 1:2 |
| REF. AL35.1081 | |



SECTION A-A



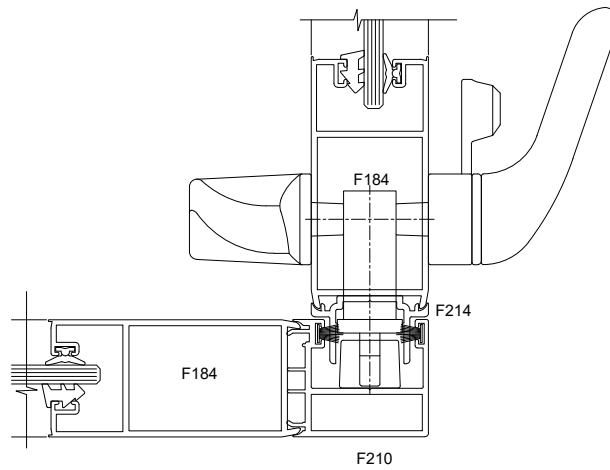
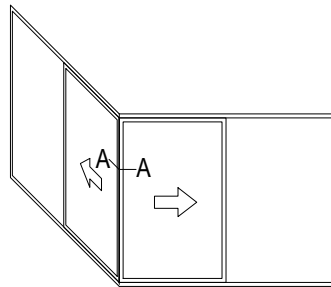
SECTION B-B

SLIDING DOOR

FAIRVIEW SYSTEMS LIMITED SPECIFIERS GUIDE 2014 © TECHNICAL SPECIFICATIONS & PROFILE DETAILS SUBJECT TO CHANGE WITHOUT NOTICE

ARCHITECTURAL LINEAR 35 COMPLETE SUITE

| | |
|--------------------|--------------|
| DATE 12.06.2018 | SCALE 1:2 |
| REF. AL35.1082 | |



SECTION A-A

SLIDING DOOR

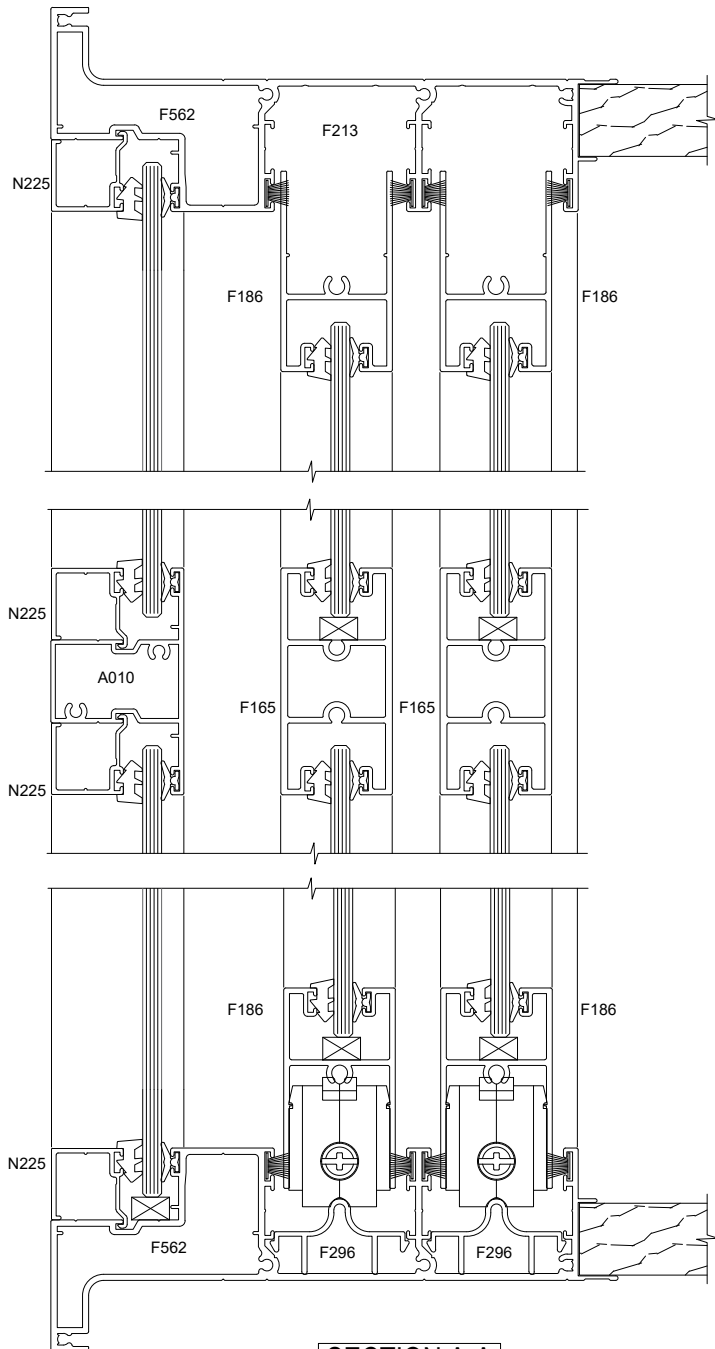
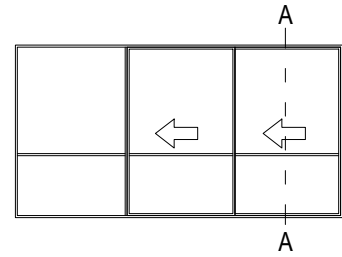
FAIRVIEW SYSTEMS LIMITED SPECIFIERS GUIDE 2014 © TECHNICAL SPECIFICATIONS & PROFILE DETAILS SUBJECT TO CHANGE WITHOUT NOTICE

ARCHITECTURAL LINEAR 35 COMPLETE SUITE

DATE
12.06.2018

SCALE
1:2

REF. AL35.1083



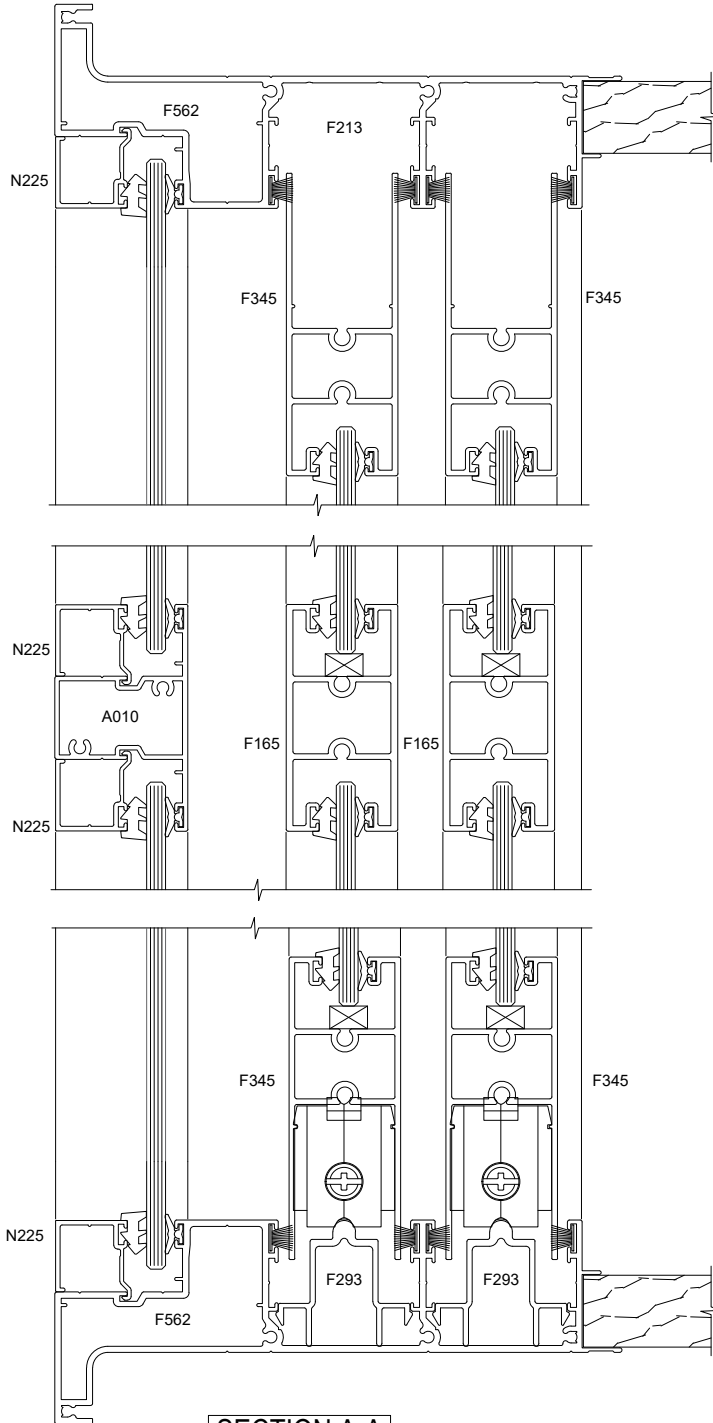
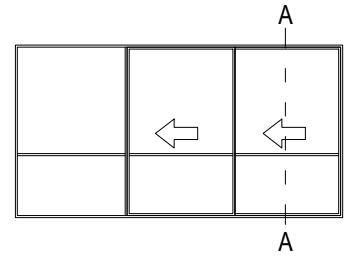
SECTION A-A

**STANDARD TRACK SILL
STACKING DOOR**

FAIRVIEW SYSTEMS LIMITED SPECIFIERS GUIDE 2014 © TECHNICAL SPECIFICATIONS & PROFILE DETAILS SUBJECT TO CHANGE WITHOUT NOTICE

ARCHITECTURAL LINEAR 35 COMPLETE SUITE

| | |
|--------------------|--------------|
| DATE 12.06.2018 | SCALE 1:2 |
| REF. AL35.1091 | |



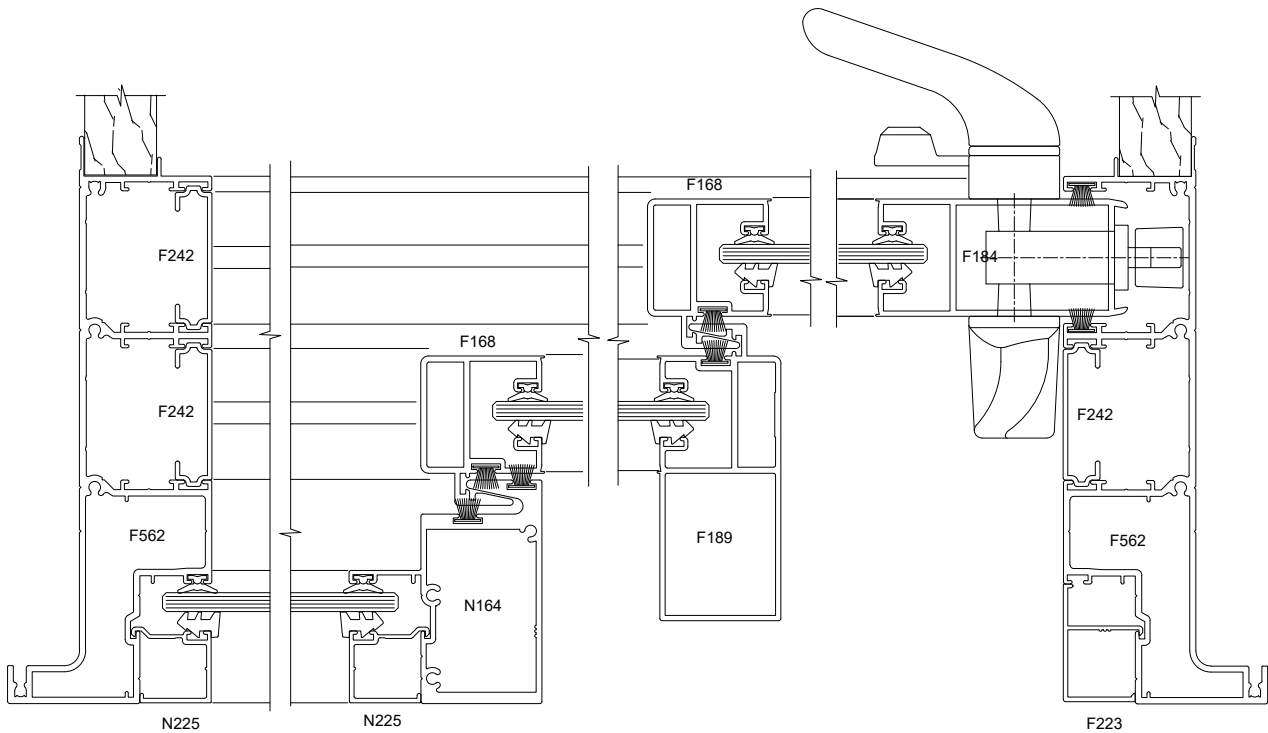
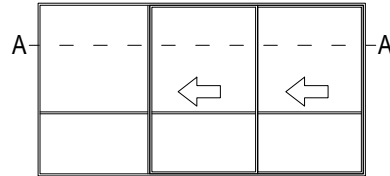
SECTION A-A

**FLUSH TRACK SILL
STACKING DOOR**

FAIRVIEW SYSTEMS LIMITED SPECIFIERS GUIDE 2014 © TECHNICAL SPECIFICATIONS & PROFILE DETAILS SUBJECT TO CHANGE WITHOUT NOTICE

ARCHITECTURAL LINEAR 35 COMPLETE SUITE

| | |
|--------------------|--------------|
| DATE 12.06.2018 | SCALE 1:2 |
| REF. AL35.1092 | |



SECTION A-A

STACKING DOOR

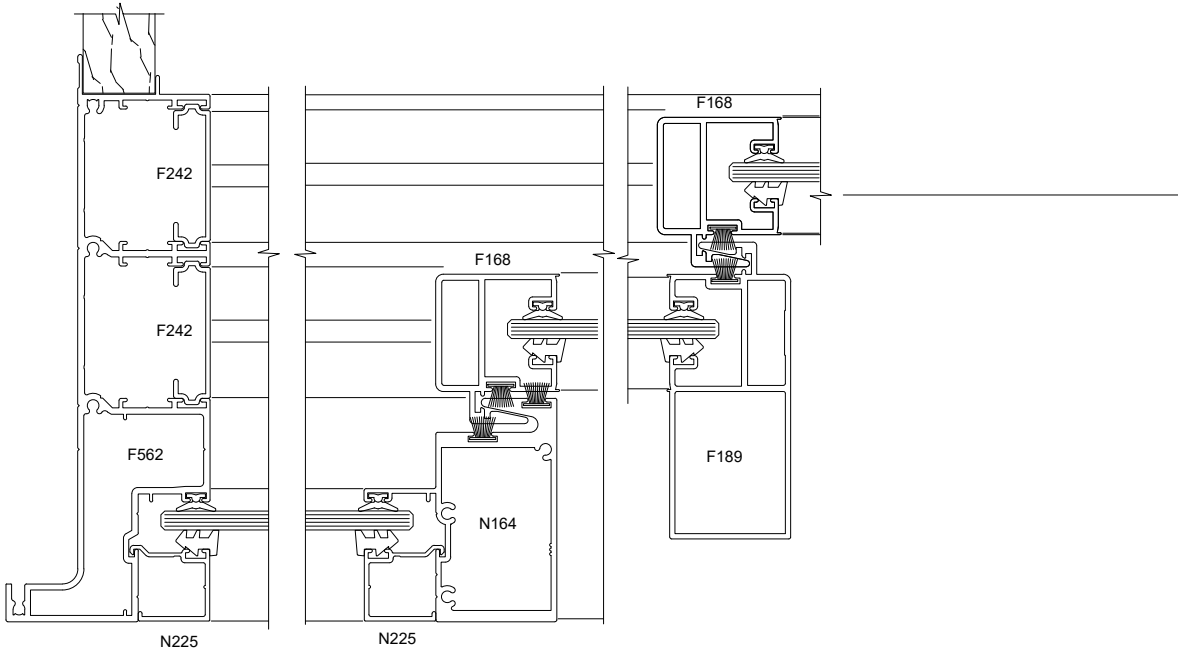
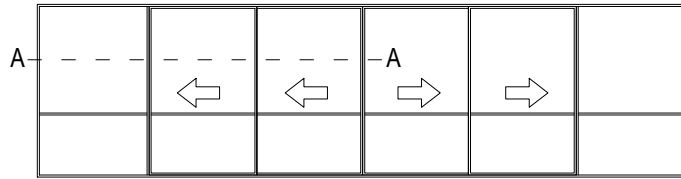
FAIRVIEW SYSTEMS LIMITED SPECIFIERS GUIDE 2014 © TECHNICAL SPECIFICATIONS & PROFILE DETAILS SUBJECT TO CHANGE WITHOUT NOTICE

ARCHITECTURAL LINEAR 35 COMPLETE SUITE

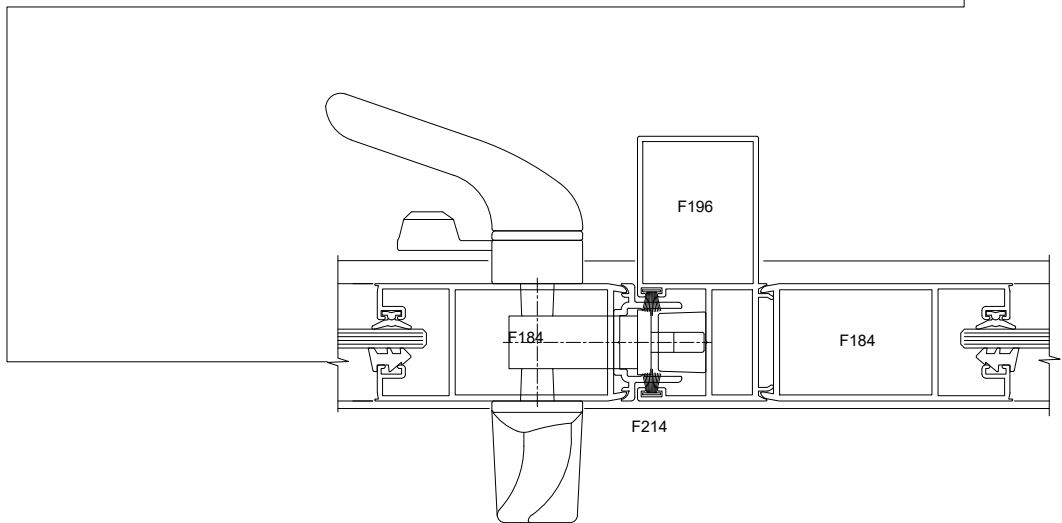
DATE
12.06.2018

SCALE
1:2

REF. AL35.1093



SECTION A-A



STACKING DOOR

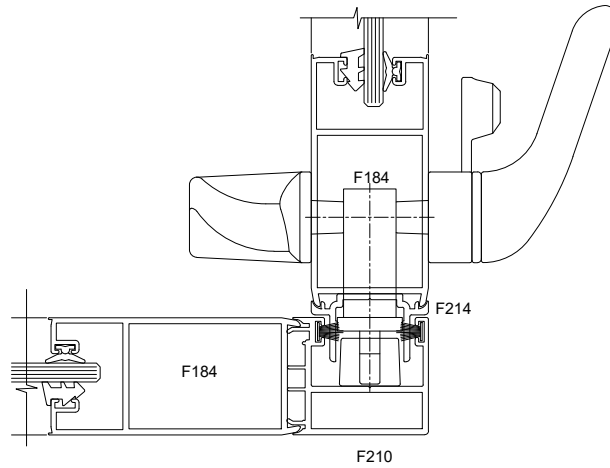
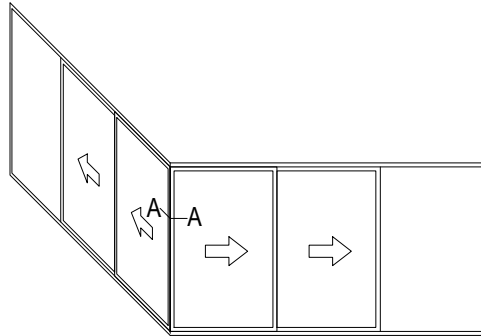
FAIRVIEW SYSTEMS LIMITED SPECIFIERS GUIDE 2014 © TECHNICAL SPECIFICATIONS & PROFILE DETAILS SUBJECT TO CHANGE WITHOUT NOTICE

ARCHITECTURAL LINEAR 35 COMPLETE SUITE

DATE
12.06.2018

SCALE
1:2

REF. AL35.1094



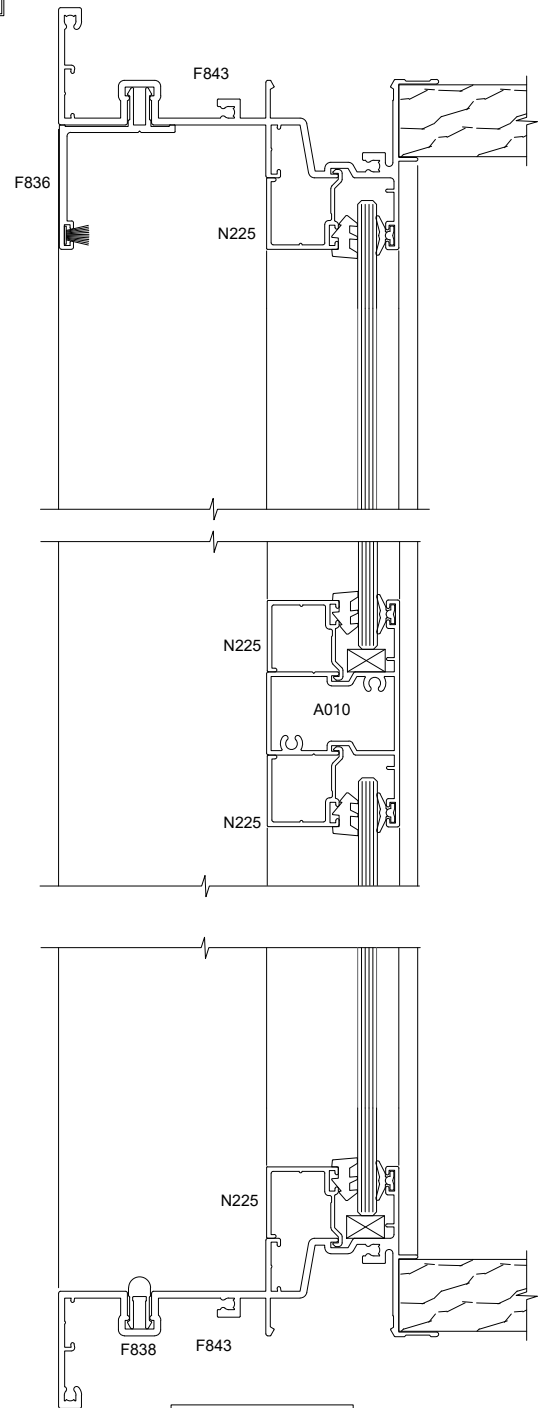
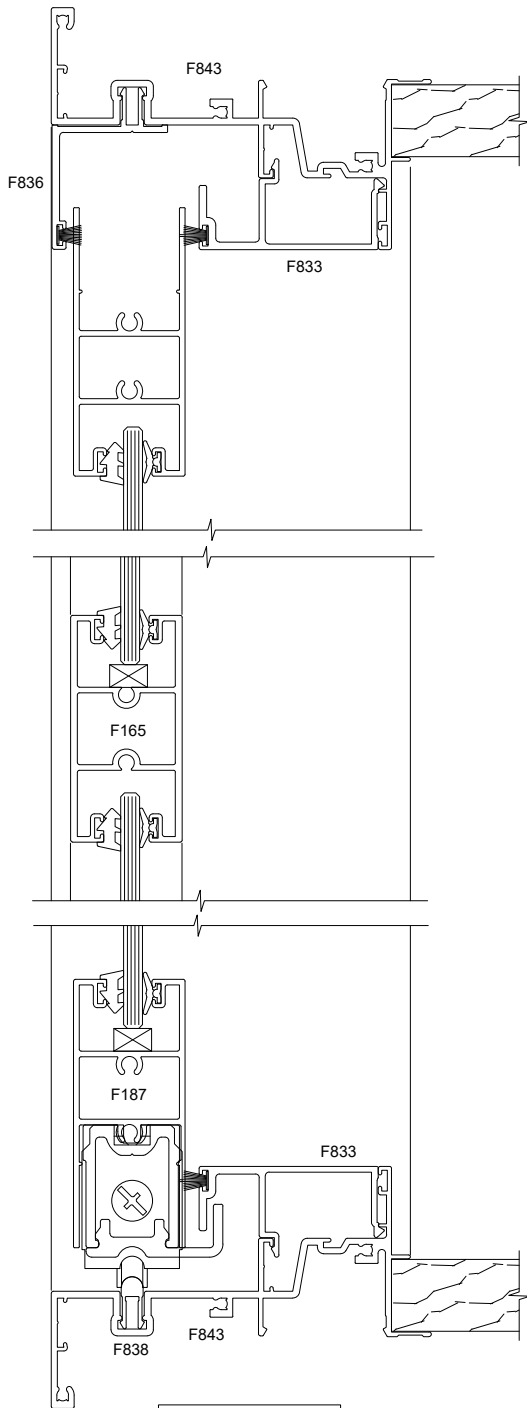
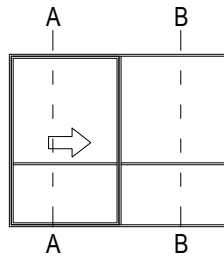
SECTION A-A

SLIDING DOOR

FAIRVIEW SYSTEMS LIMITED SPECIFIERS GUIDE 2014 © TECHNICAL SPECIFICATIONS & PROFILE DETAILS SUBJECT TO CHANGE WITHOUT NOTICE

ARCHITECTURAL LINEAR 35 COMPLETE SUITE

| | |
|--------------------|--------------|
| DATE 12.06.2018 | SCALE 1:2 |
| REF. AL35.1095 | |



EXTERNAL SLIDING DOOR

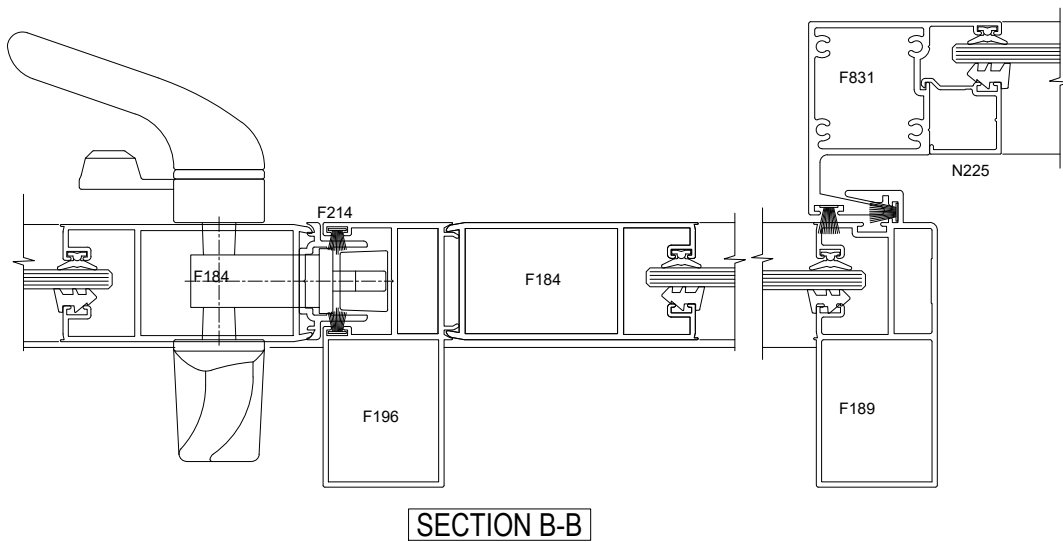
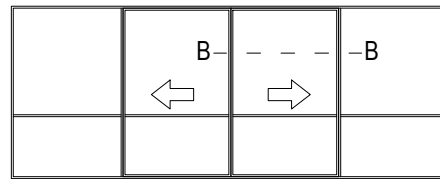
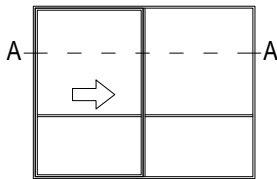
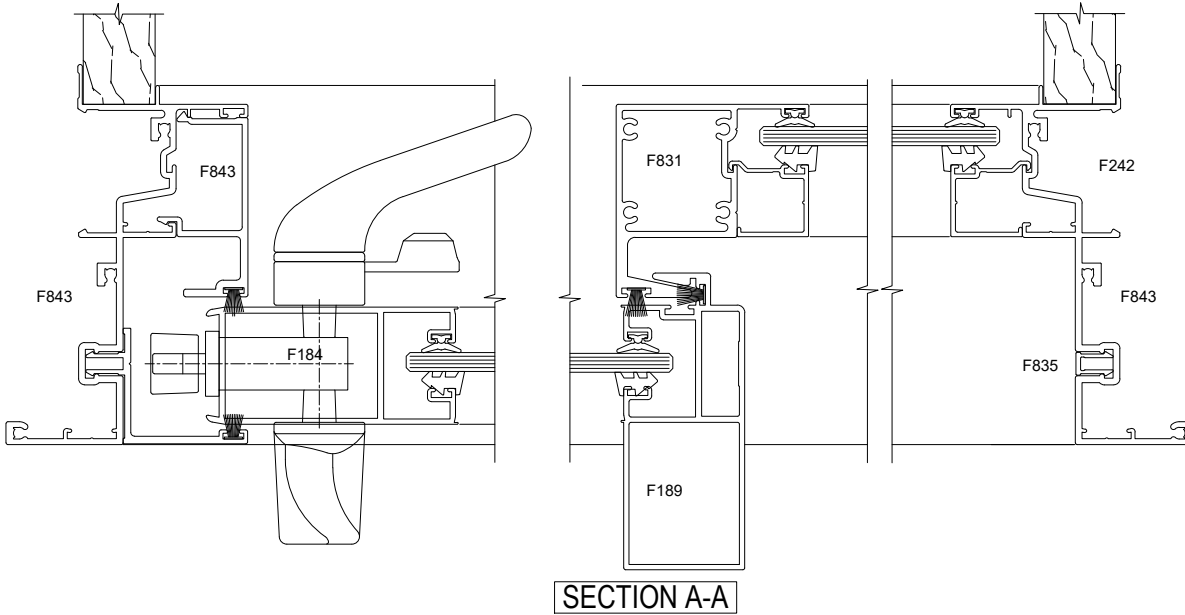
FAIRVIEW SYSTEMS LIMITED SPECIFIERS GUIDE 2014 © TECHNICAL SPECIFICATIONS & PROFILE DETAILS SUBJECT TO CHANGE WITHOUT NOTICE

ARCHITECTURAL LINEAR 35 COMPLETE SUITE

DATE
12.06.2018

SCALE
1:2

REF. AL35.1101

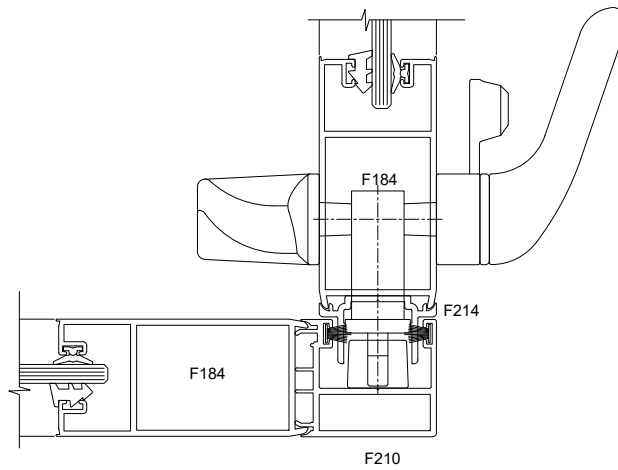
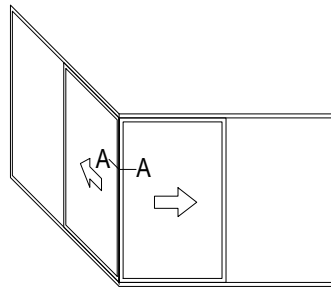


EXTERNAL SLIDING DOOR

FAIRVIEW SYSTEMS LIMITED SPECIFIERS GUIDE 2014 © TECHNICAL SPECIFICATIONS & PROFILE DETAILS SUBJECT TO CHANGE WITHOUT NOTICE

ARCHITECTURAL LINEAR 35 COMPLETE SUITE

| | |
|--------------------|--------------|
| DATE 12.06.2018 | SCALE 1:2 |
| REF. AL35.1102 | |



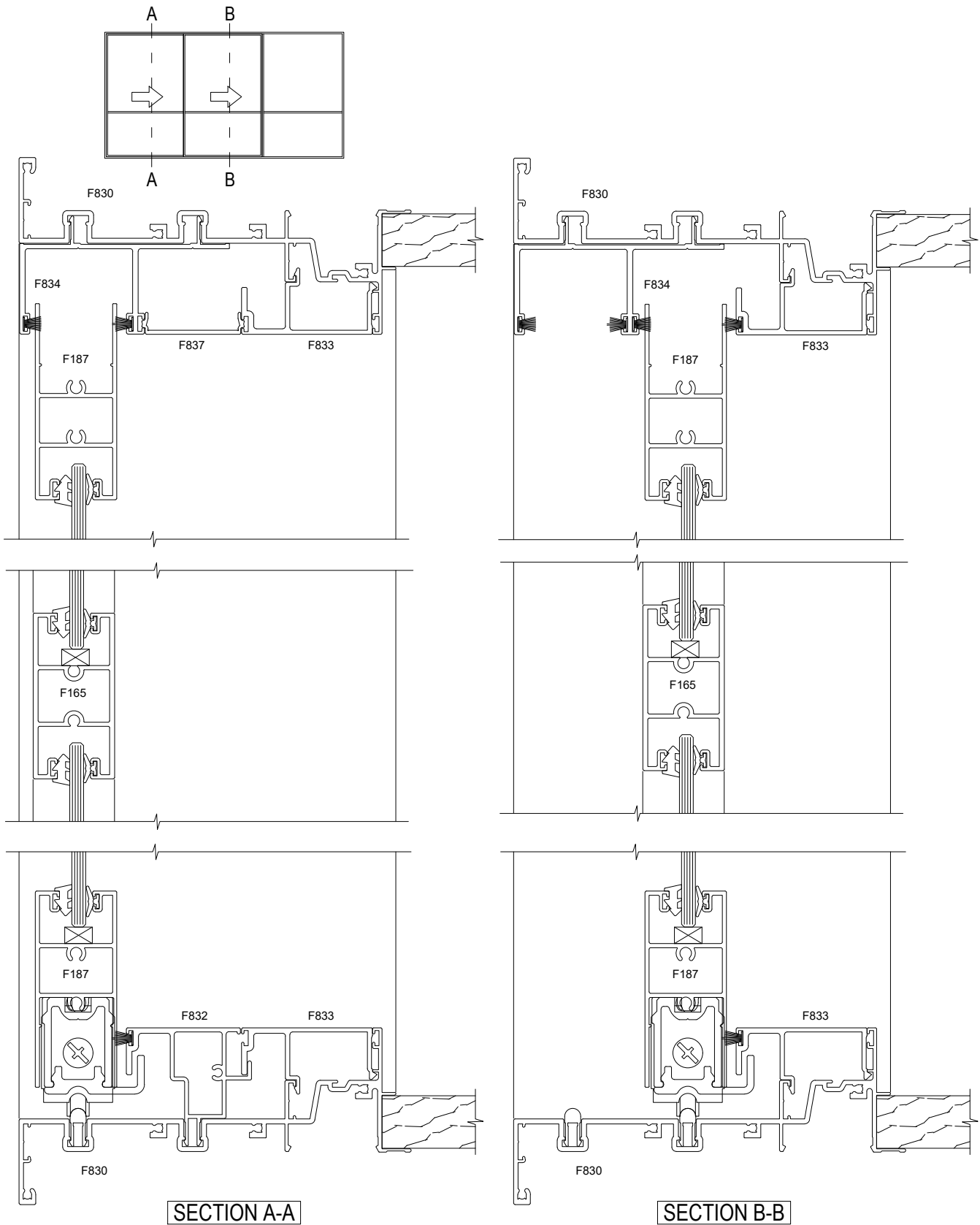
SECTION A-A

EXTERNAL SLIDING DOOR

FAIRVIEW SYSTEMS LIMITED SPECIFIERS GUIDE 2014 © TECHNICAL SPECIFICATIONS & PROFILE DETAILS SUBJECT TO CHANGE WITHOUT NOTICE

ARCHITECTURAL LINEAR 35 COMPLETE SUITE

| | |
|--------------------|--------------|
| DATE 12.06.2018 | SCALE 1:2 |
| REF. AL35.1103 | |

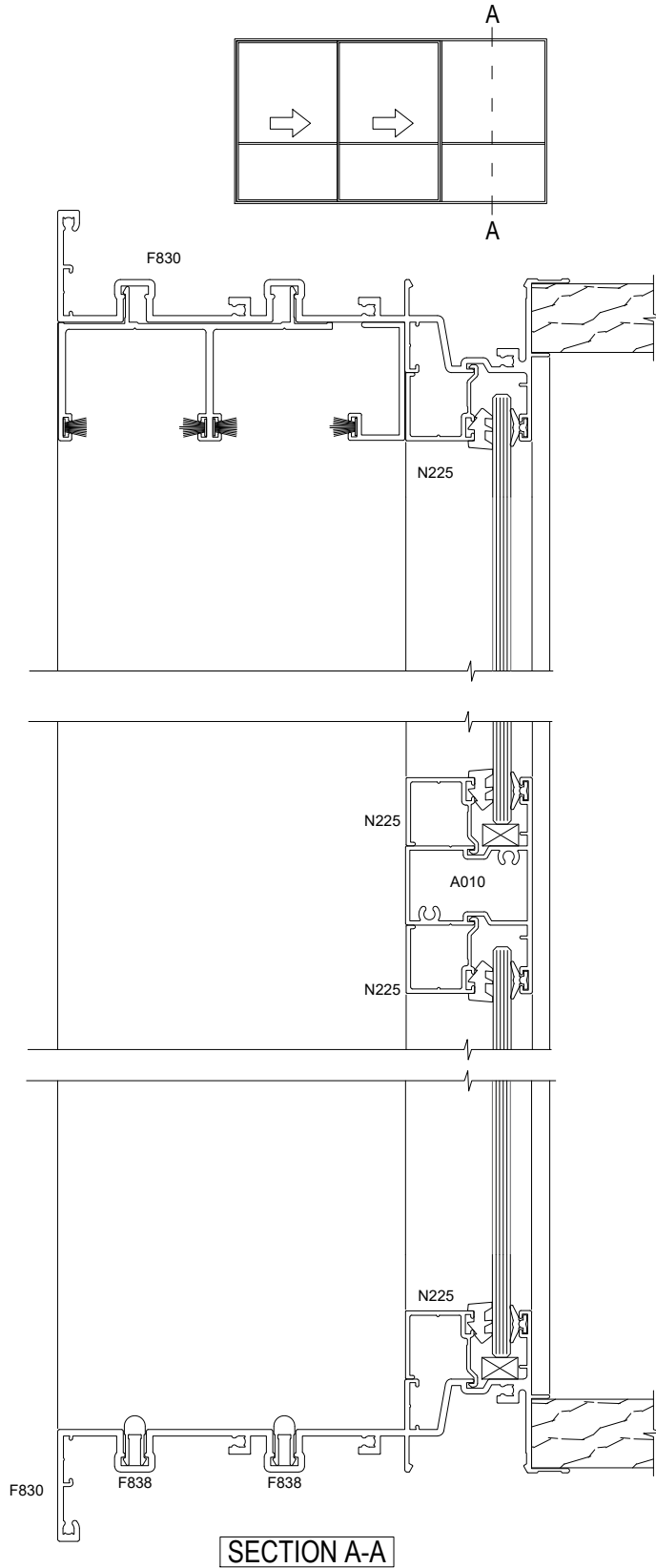


EXTERNAL STACKING DOOR

FAIRVIEW SYSTEMS LIMITED SPECIFIERS GUIDE 2014 © TECHNICAL SPECIFICATIONS & PROFILE DETAILS SUBJECT TO CHANGE WITHOUT NOTICE

ARCHITECTURAL LINEAR 35 COMPLETE SUITE

| | |
|--------------------|--------------|
| DATE 12.06.2018 | SCALE 1:2 |
| REF. AL35.1111 | |

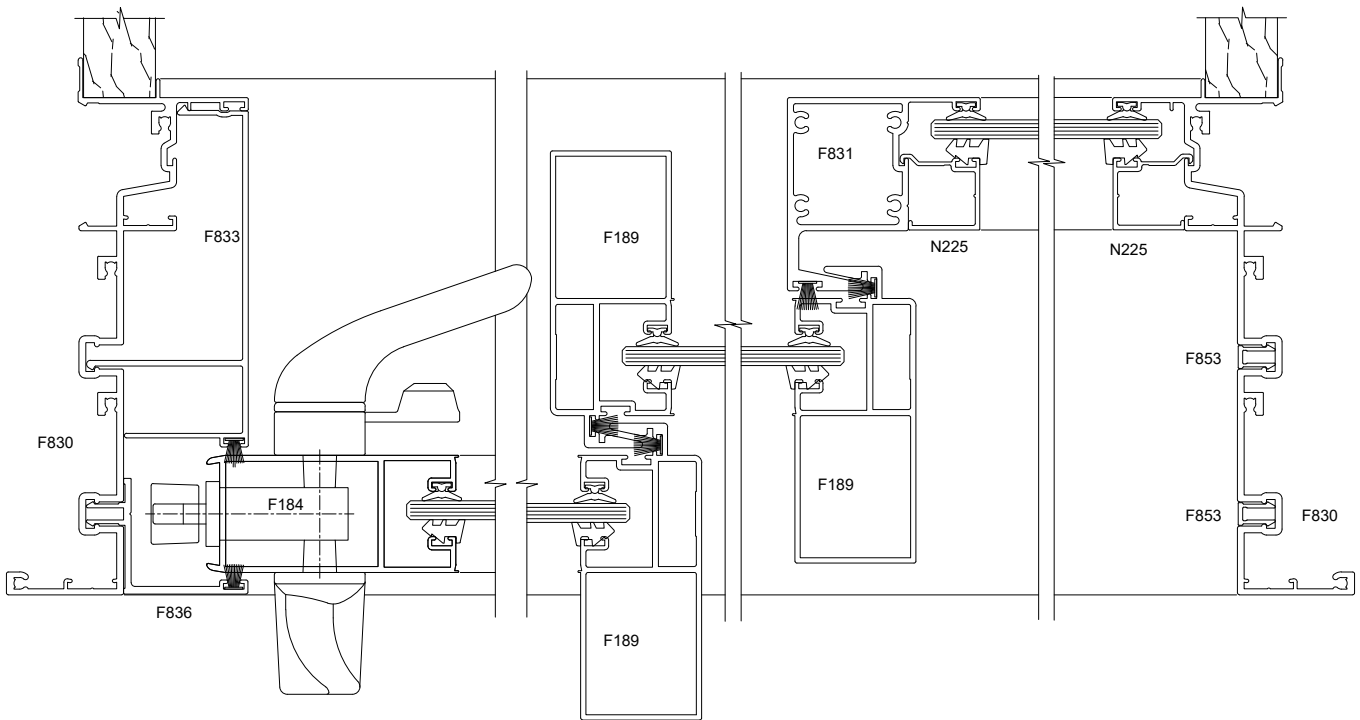
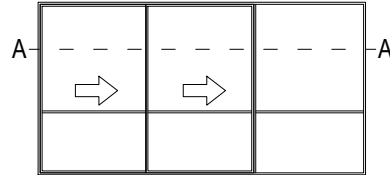


EXTERNAL STACKING DOOR

FAIRVIEW SYSTEMS LIMITED SPECIFIERS GUIDE 2014 © TECHNICAL SPECIFICATIONS & PROFILE DETAILS SUBJECT TO CHANGE WITHOUT NOTICE

ARCHITECTURAL LINEAR 35 COMPLETE SUITE

| | |
|--------------------|--------------|
| DATE 12.06.2018 | SCALE 1:2 |
| REF. AL35.1112 | |



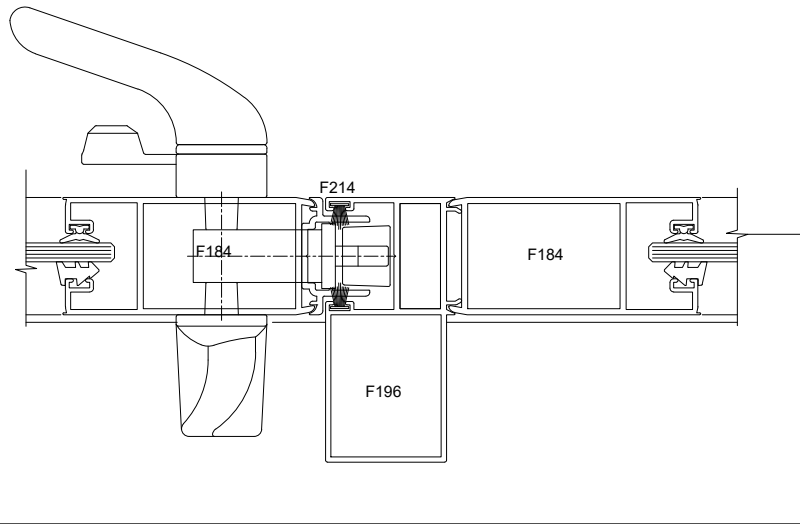
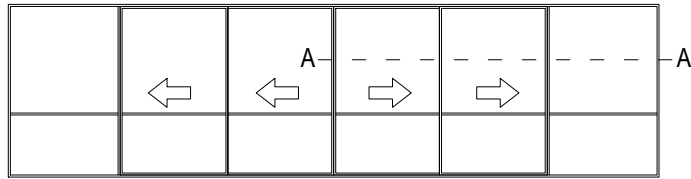
SECTION A-A

EXTERNAL STACKING DOOR

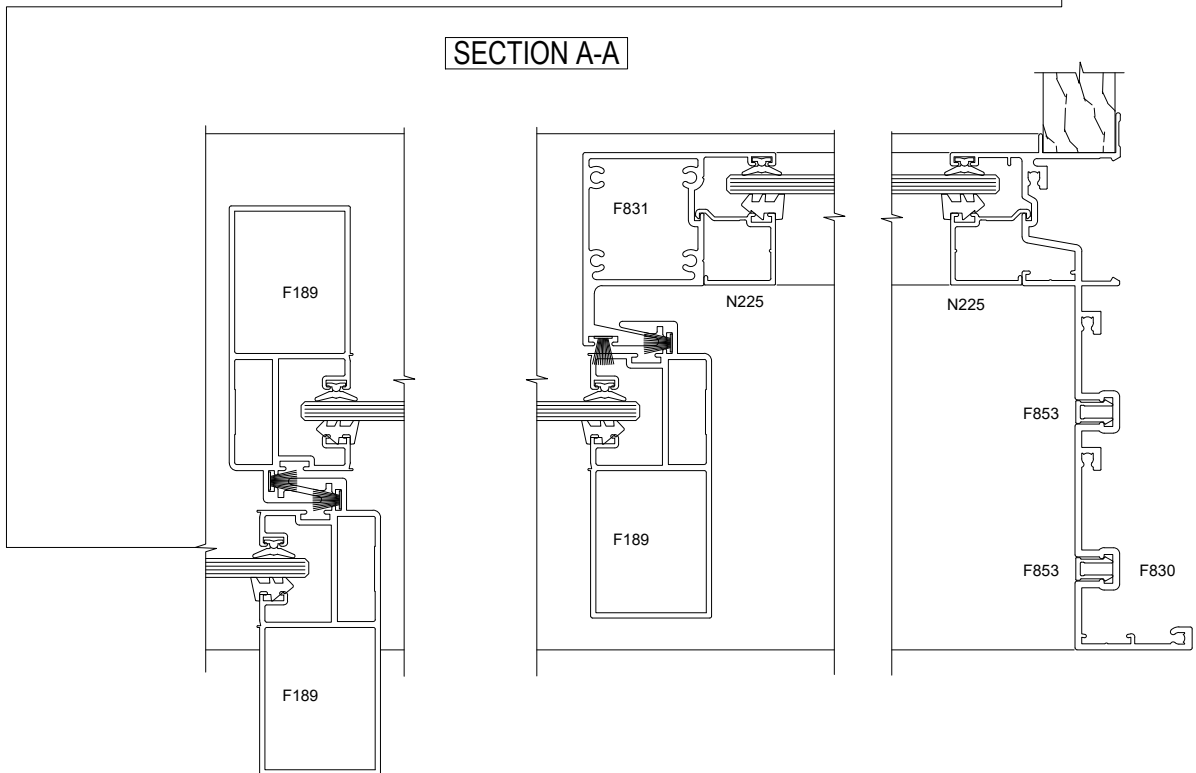
FAIRVIEW SYSTEMS LIMITED SPECIFIERS GUIDE 2014 © TECHNICAL SPECIFICATIONS & PROFILE DETAILS SUBJECT TO CHANGE WITHOUT NOTICE

ARCHITECTURAL LINEAR 35 COMPLETE SUITE

| | |
|--------------------|--------------|
| DATE 12.06.2018 | SCALE 1:2 |
| REF. AL35.1113 | |



SECTION A-A

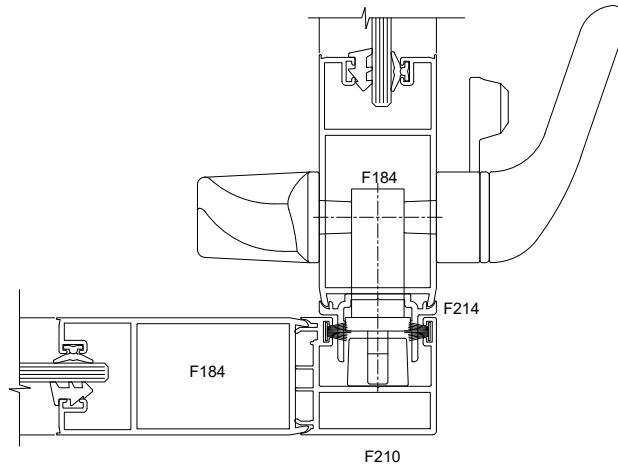
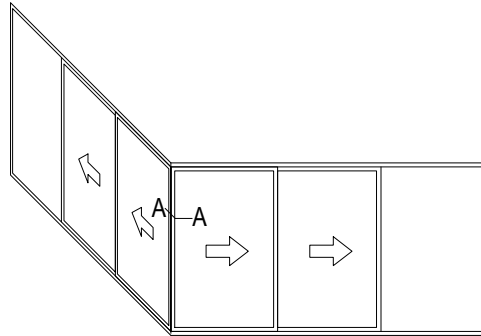


EXTERNAL STACKING DOOR

FAIRVIEW SYSTEMS LIMITED SPECIFIERS GUIDE 2014 © TECHNICAL SPECIFICATIONS & PROFILE DETAILS SUBJECT TO CHANGE WITHOUT NOTICE

ARCHITECTURAL LINEAR 35 COMPLETE SUITE

| | |
|--------------------|--------------|
| DATE 12.06.2018 | SCALE 1:2 |
| REF. AL35.1114 | |



SECTION A-A

EXTERNAL STACKING DOOR

FAIRVIEW SYSTEMS LIMITED SPECIFIERS GUIDE 2014 © TECHNICAL SPECIFICATIONS & PROFILE DETAILS SUBJECT TO CHANGE WITHOUT NOTICE

ARCHITECTURAL LINEAR 35 COMPLETE SUITE

| | |
|--------------------|--------------|
| DATE 12.06.2018 | SCALE 1:2 |
| REF. AL35.1115 | |