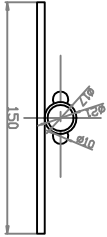
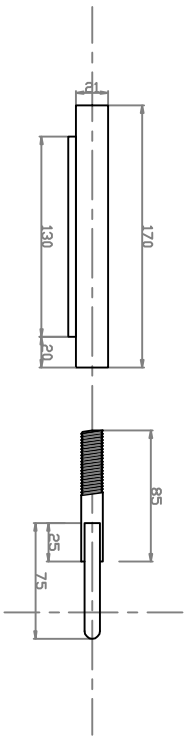


Elevation A
Scale 1:1



Elevation B
Scale 1:1

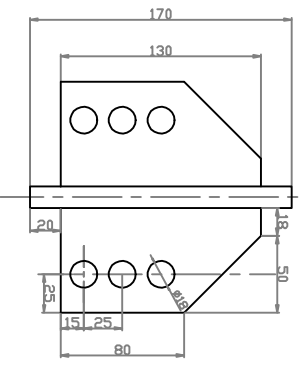
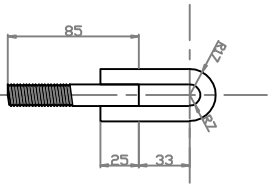
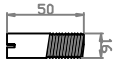


Elevation C
Scale 1:1

Nylon plug Top/Bottom
Scale 1:1



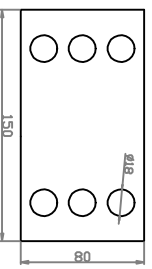
Nylon plug Pin
Scale 1:1



C4004 Concrete Roof Anchor
Scale 1:1



Rear Plate Elevation
Scale 1:1



Rear Plate Plan
Scale 1:1