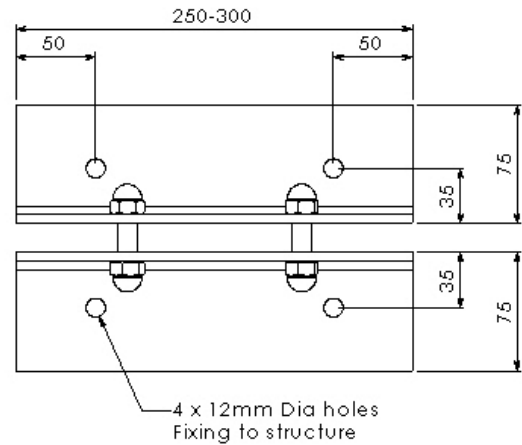
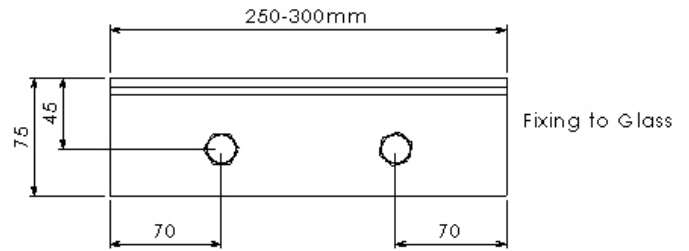
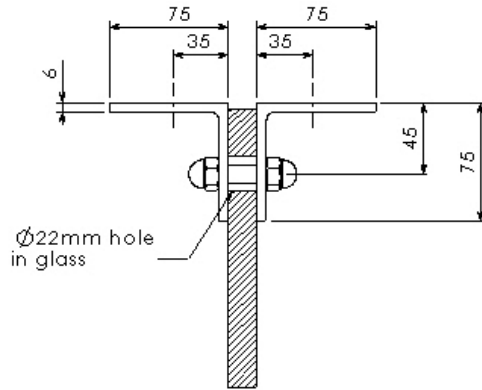


FRAMELESS COMMERCIAL HARDWARE

Stainless Fin Brackets



Code	Description	Prices
FB-250	Fin Bracket Set to support 250mm Fin 250 x 75 x 75 x 6 Specify Glass thickness SSS	
FB-300	Fin Bracket Set to support 300mm Fin 300 x 75 x 75 x 6 Specify Glass thickness SSS	
FB-SP	Special length Fin bracket 75 x 75 x 6 Specify Glass thickness SSS	P.O.A.