

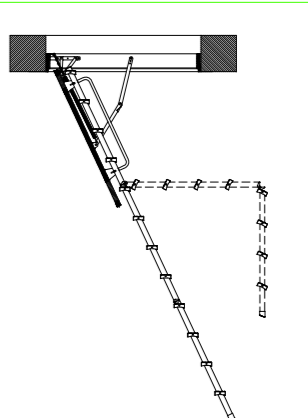
- 78-Spring
- 80-Tread
- 84-Thermo-insulated hatch
- 85-Ladder bracket
- 86-Hinge
- 88-Side bracket
- 90-LXH handrail
- 93-LXS stile end
- 507-Finishing lining slats LXL FAKRO

E	S	G
Tread length	Tread width	Distance between treads
[cm]	[cm]	[cm]
34	8	25

Loft ladder dimensions								
H	A	B	K	R	C	T	WxL	MxN
Room height	Width ceiling opening dimensions	Length ceiling opening dimensions	Folded ladder height	Swing space	Distance after ladder unfolding	Box height	Box external dimensions	Internal box dimensions
[cm]	[cm]	[cm]	[cm]	[cm]	[cm]	[cm]	[cm]	[cm]
280	60	120	25,5	157	118,5	14	58x118,4	54x114
	70	120					68x118,4	64x114
	70	130					68x128,4	64x124
	70	140					68x138,4	64x134
305	60	130	175	127	14	58x128,4	54x124	
	70	130				68x128,4	64x124	
	70	140				68x138,4	64x134	

FAKRO®

LMK



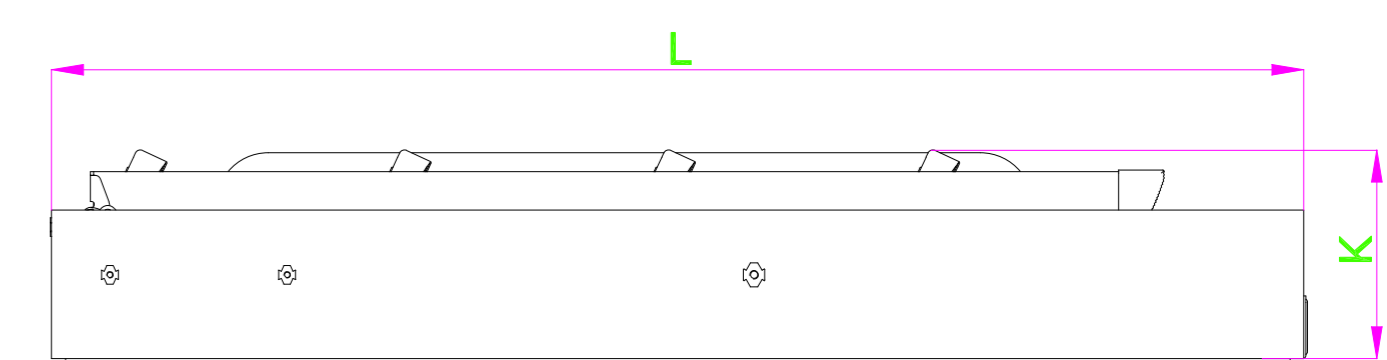
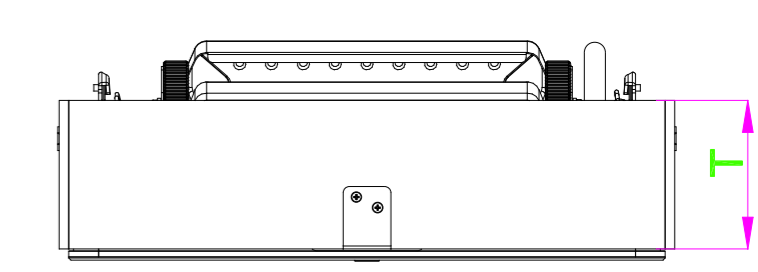
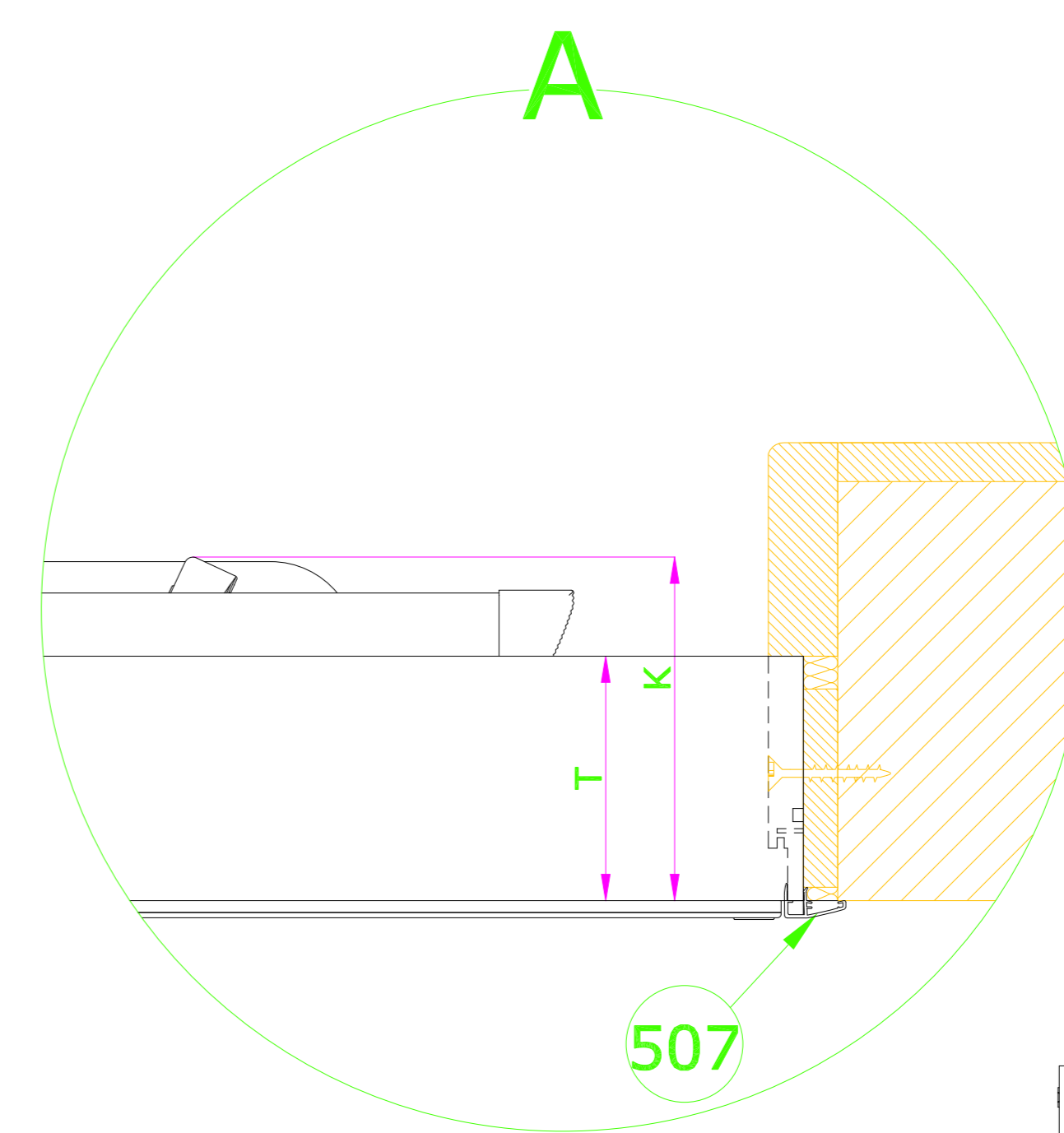
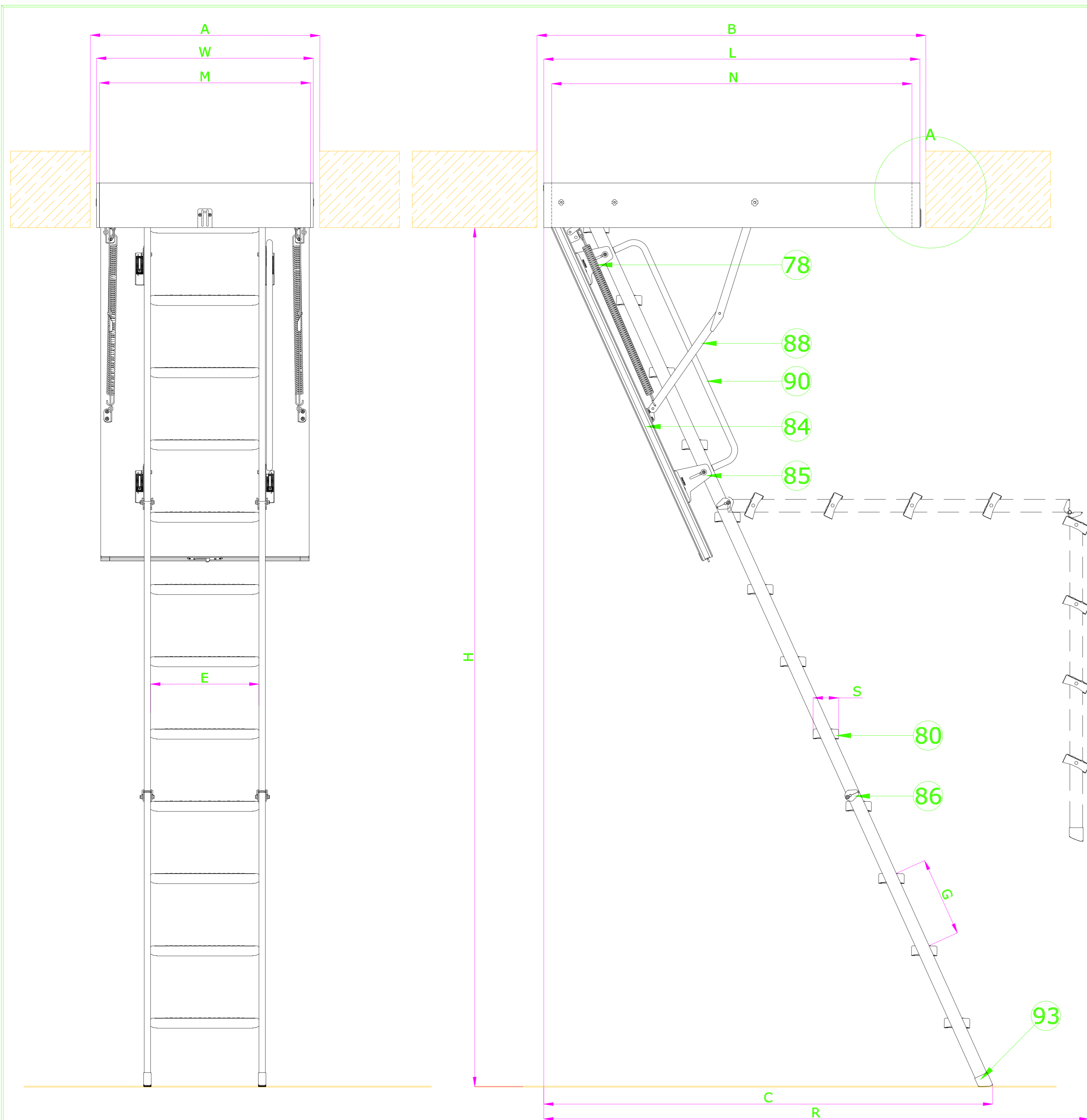
Technical drawing:
The LMK Loft Ladder.

FORMAT:
A4

SCALE:
1:20/1:10

DATE:
06.2022

Warning! The present drawing is for informational-demonstrative purposes only and as such cannot constitute a basis for performance. All dimensions presented in this drawing should be verified on site. Because of the fact that the drawing is a schematic one, FAKRO shall not assume any responsibility for the actual installation quality. This drawing is FAKRO's property and cannot be published or used publicly without our written consent.



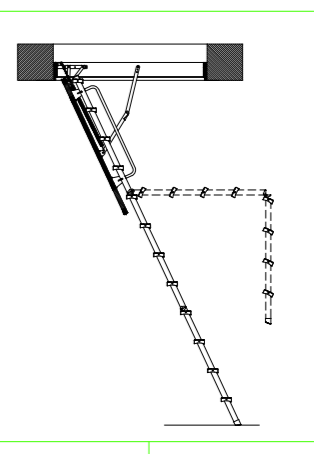
- 78-Spring
- 80-Tread
- 84-Thermo-insulated hatch
- 85-Ladder bracket
- 86-Hinge
- 88-Side bracket
- 90-LXH handrail
- 93-LXS stile end
- 507-Finishing lining slats LXL FAKRO

E	S	G
Tread length	Tread width	Distance between treads
[cm]	[cm]	[cm]
34	8	25

H	A	B	K	R	C	T	WxL	MxN
[cm]	[cm]	[cm]	[cm]	[cm]	[cm]	[cm]	[cm]	[cm]
280	60	120	25,5	157	118,5	14	58x118,4	54x114
	70	120						64x114
	70	130						64x124
	70	140						64x134
305	60	130	175	127	14	58x128,4	54x124	
	70	130					64x124	
	70	140					64x134	

FAKRO®

LMK



Technical drawing: The LMK Loft Ladder.	FORMAT: A4	SCALE: 1:20/1:10	DATE: 06.2022
--	---------------	---------------------	------------------

Warning! The present drawing is for informational-demonstrative purposes only and as such cannot constitute a basis for performance. All dimensions presented in this drawing should be verified on site. Because of the fact that the drawing is a schematic one, FAKRO shall not assume any responsibility for the actual installation quality. This drawing is FAKRO's property and cannot be published or used publicly without our written consent.