

Applications

Brio's Open Round Rail Top Fix Timber is now available as a Face Fix hanger making it an ideal internal system for residential and commercial applications of timber panels with exposed hangers and rail.

Open Round Rail Timber Face Fix 100 hangers are 304 stainless steel with precision bearings.

Panel Specification

Track System:	Open Round Rail Timber Face Fix100
For Individual Panels:	
Max Panel Height	3000mm
Max Panel Width	2000mm
Max Panel Weight	100kg
Panel Thickness	35-40mm

Standard Packs

Packs include 2 hangers, doorstops, guide, handle, brackets and fixings

Pack No.	Finish
ORF100	Stainless Steel
ORF100PR	PVD Black

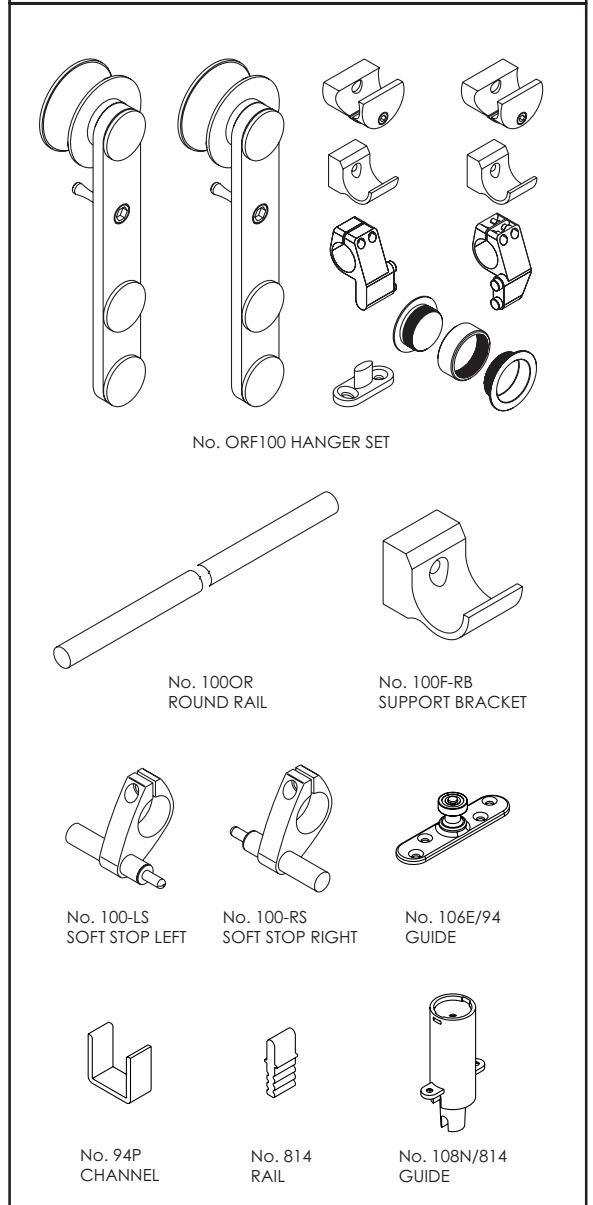
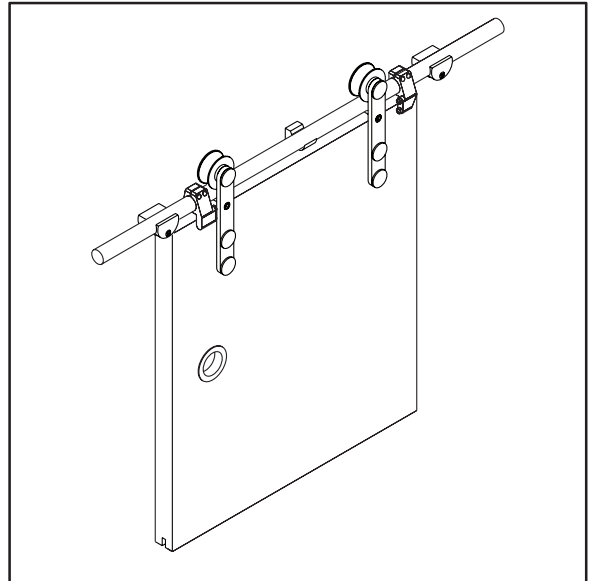
Hardware Specification

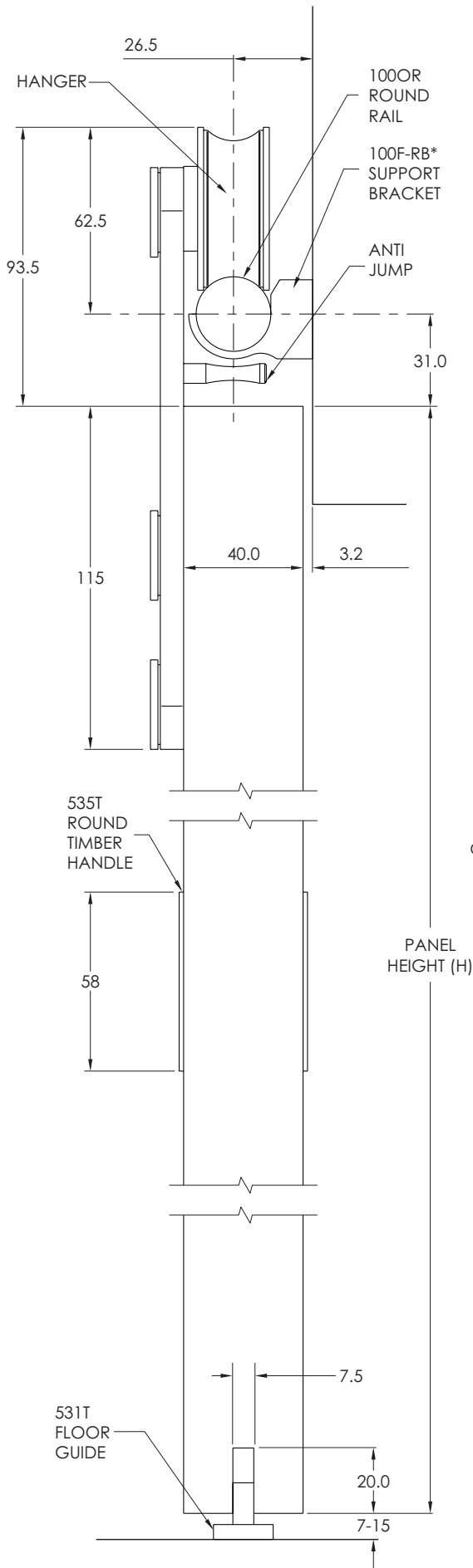
Track:	100OR
Material	Stainless Steel
Standard lengths	2000mm 2500mm 3000mm 4000mm
Finishes	Stainless Steel and PVD Black (except 4000mm)

Guides:	
Stainless precision bearing	106E/94
Nylon spring loaded guide	108N/814

Channels:	
Polypropylene	94P Black
Aluminium	94PPA Aluminium Support & Polypropylene 814 Aluminium Rail
Finish	Aluminium - Mill or Clear Anodised
Standard lengths	2000mm 3000mm 4000mm 6000mm

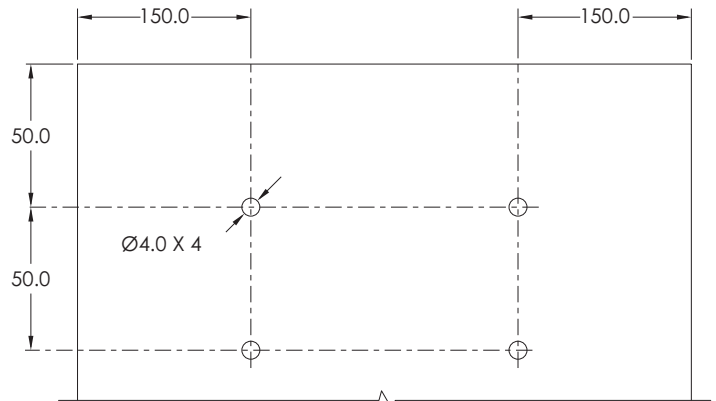
Support Bracket:	
Support bracket	100F-RB or 100F-RBPR



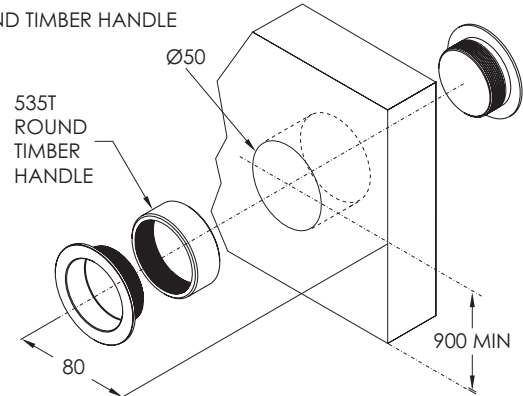


DOOR PREPARATION

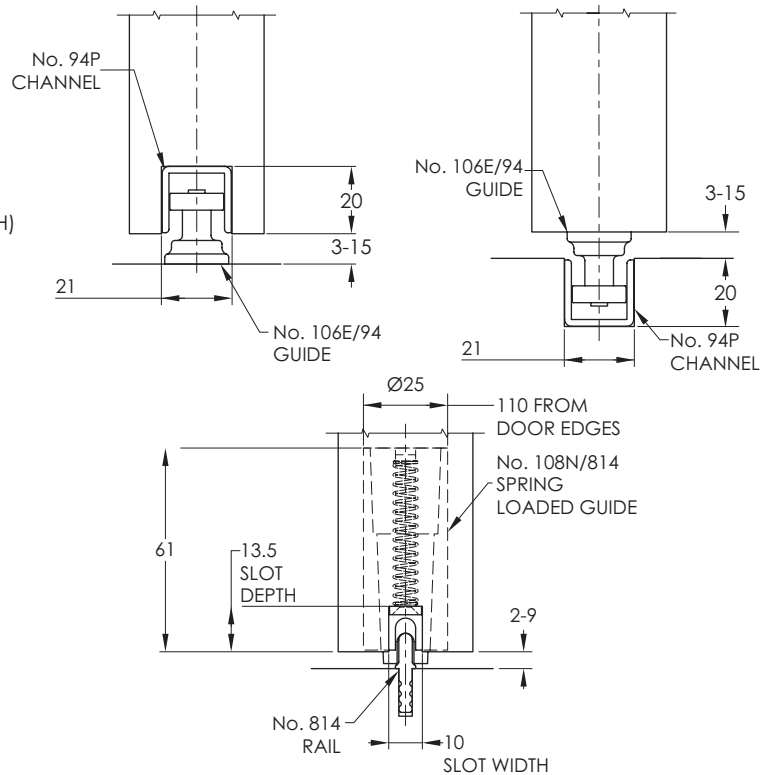
HANGERS (INSIDE FACE OF DOOR SHOWN)



ROUND TIMBER HANDLE



OPTIONAL GUIDES



RAIL LENGTH	*ADDITIONAL 100F-RB REQUIRED
2500	1
3000	2
4000	4