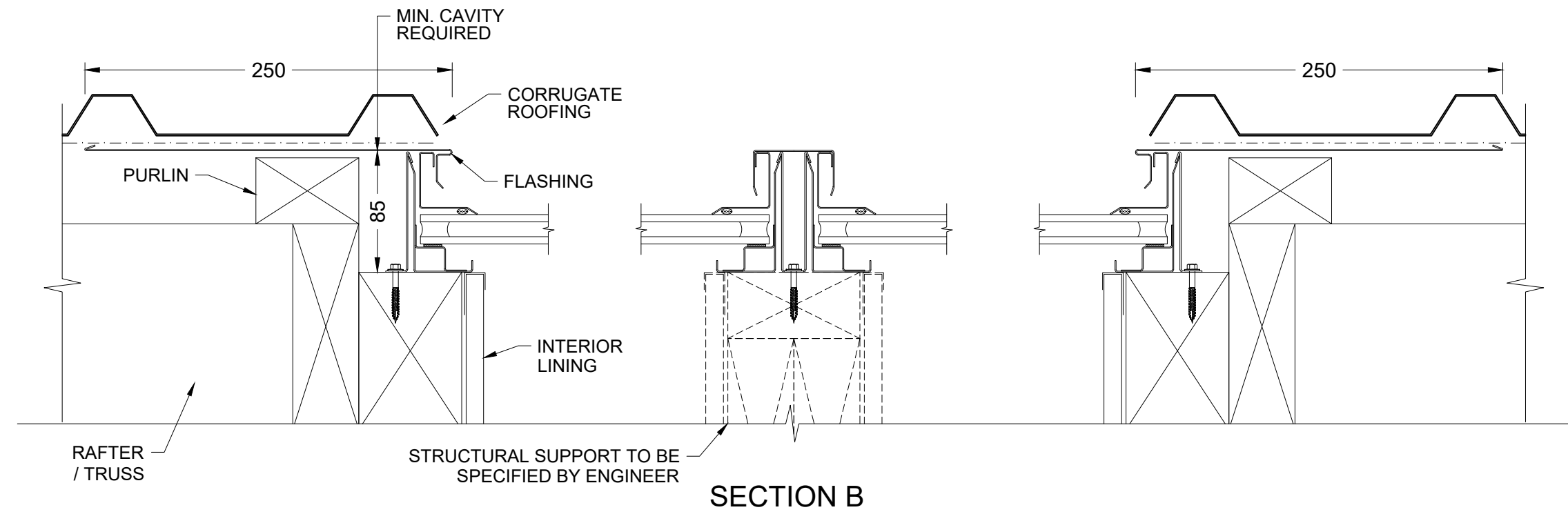
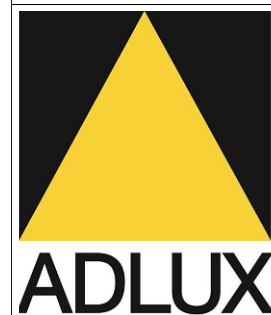


Note:
Minimum pitch 5°



* Dimensions to be in accordance with NZBC Clause E2

Not to scale, do not scale from drawing



ADLUX Industries Ltd. ©
 36 Olive Road, Penrose
 P.O. Box 13866, Auckland.
 New Zealand.
 Ph: (09) 636 6866
 Fax: (09) 636 6846
 email: sales@adlux.co.nz

MEGA ROOF WINDOW MODULAR non-vent (Double Glazed) ARRANGEMENT 002

DATE: 27/05/19

DWG No: MRWMnv-002