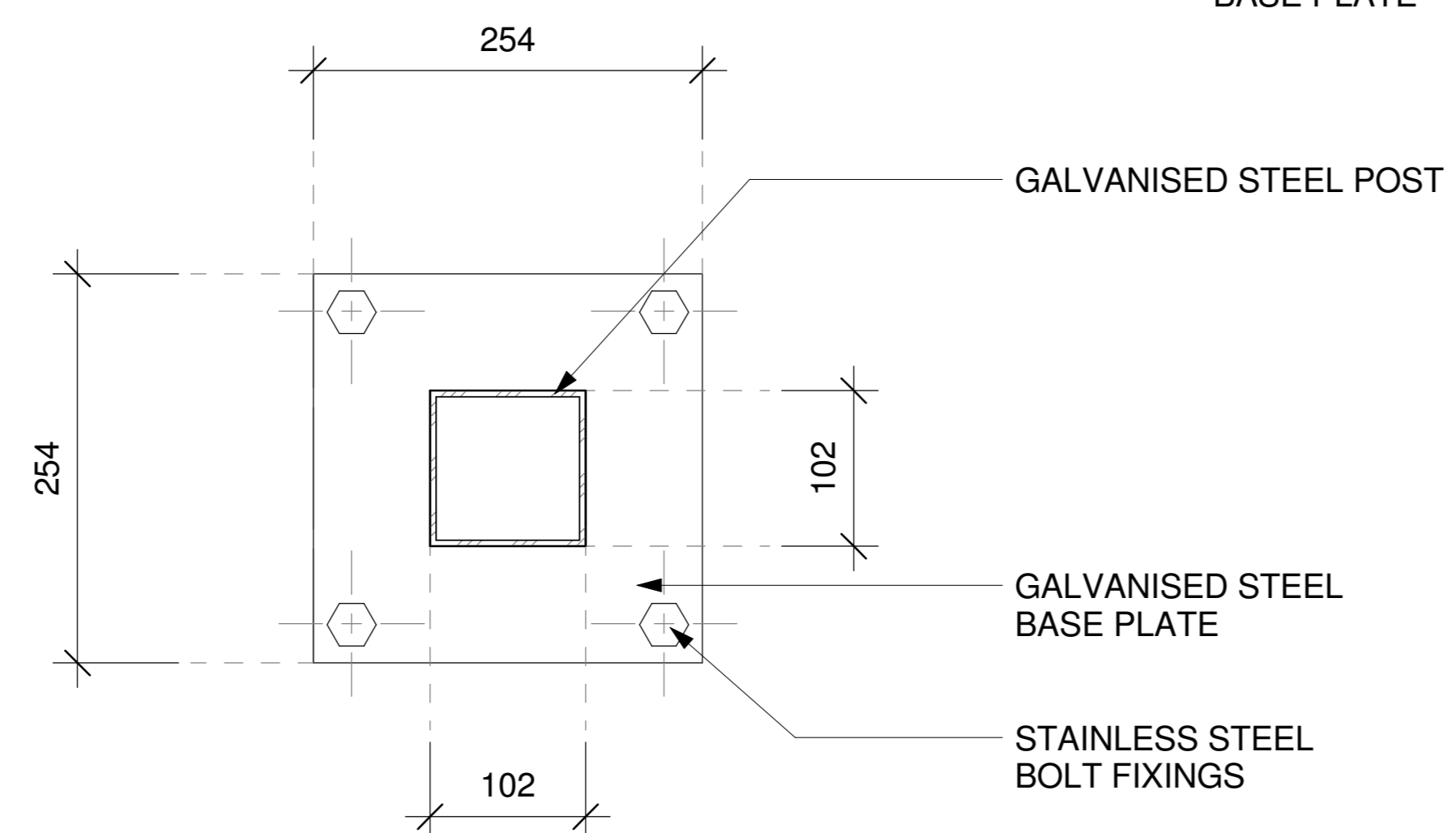


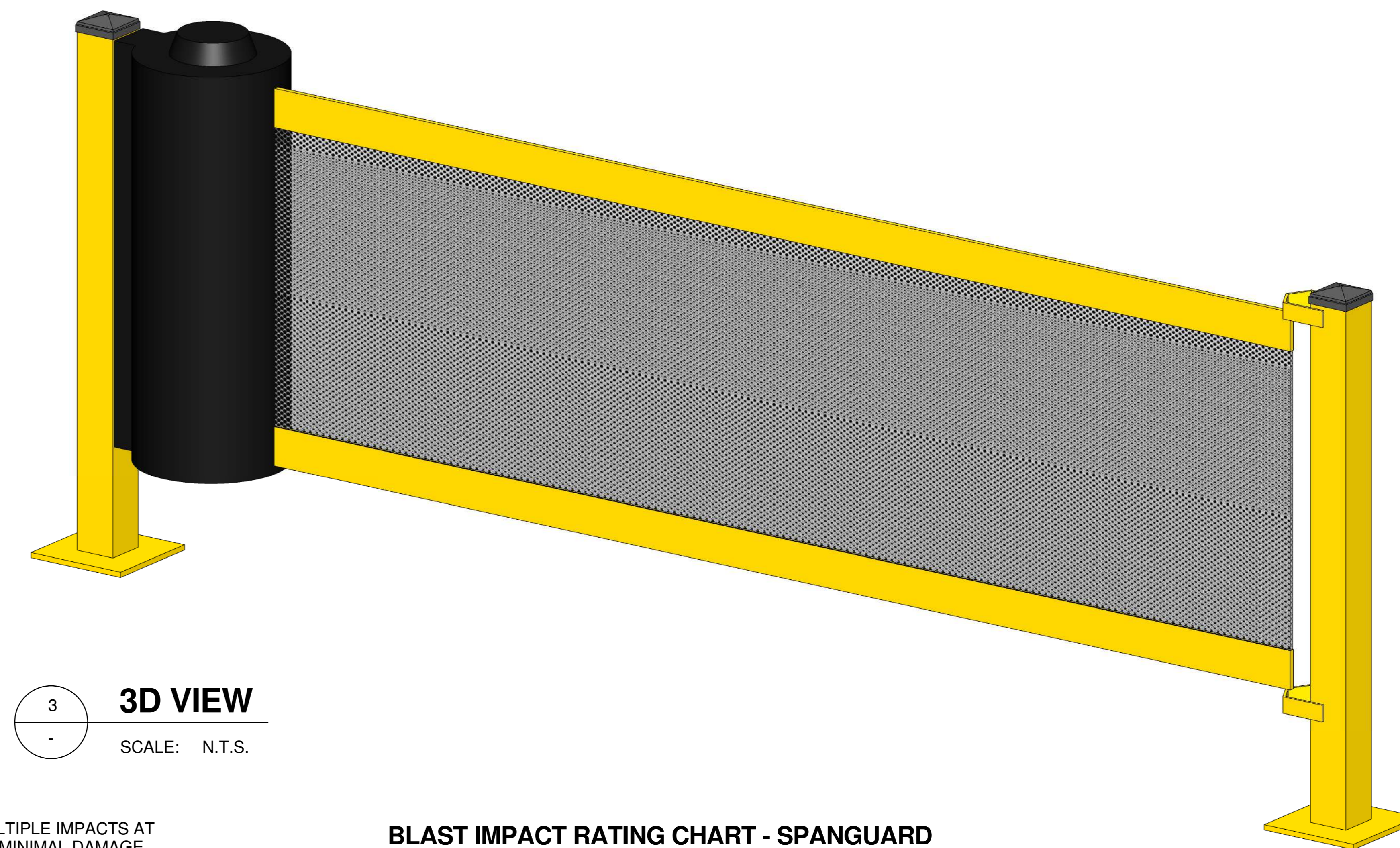
**1 FLOOR PLAN VIEW**  
SCALE: 1:10 MTS.

**SPANGUARD DEFLECTION**

KE (Joules)	9150mm CLEAR OPENING	18300mm CLEAR OPENING
	mm	mm
200	432	660
400	470	699
600	508	737
800	546	775
950	584	813



**POST BLOW-UP DETAIL**

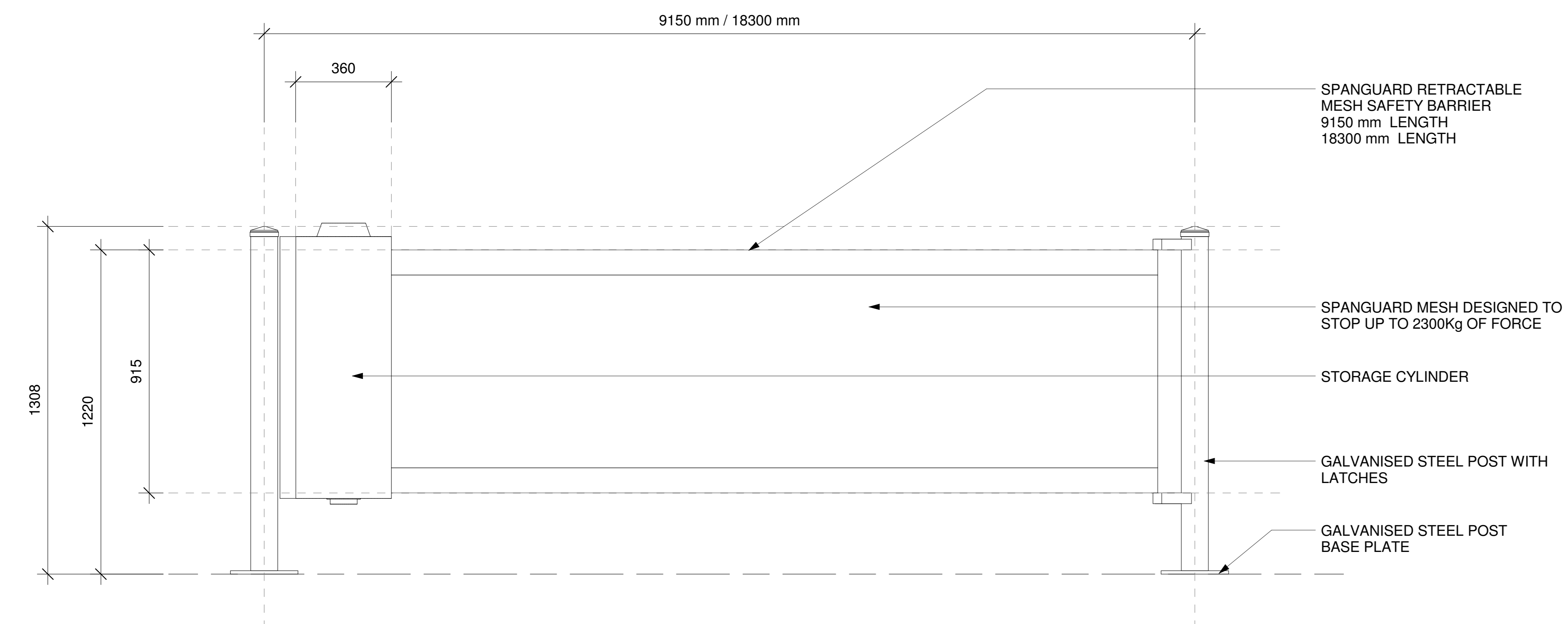


**3 3D VIEW**  
SCALE: N.T.S.

WILL ABSORB MULTIPLE IMPACTS AT THIS LEVEL WITH MINIMAL DAMAGE  
 WILL NOT ABSORB AN IMPACT OF THIS LEVEL

**BLAST IMPACT RATING CHART - SPANGUARD**

MPH	M / sec	KE ( Joules )									
		227	455	682	909	1136	1364	1591	1818	2045	2273
2	0.89	90	181	271	362	452	543	633	724	814	905
2.5	1.12	141	283	424	566	707	848	990	1131	1273	1414
3	1.34	204	407	611	814	1018	1222	1425	1629	1833	2036
3.5	1.56	277	554	831	1109	1386	1663	1940	2217	2494	2771
4	1.78	362	724	1086	1448	1810	2172	2634	2896	3258	3620
4.5	2.01	458	916	1374	1833	2291	2749	3207	3665	4123	4581
5	2.23	566	1131	1697	2622	2828	3394	3959	4525	5090	5656
5.5	2.45	684	1369	2053	2738	3422	4106	4791	5475	6159	6844
6	2.68	814	1629	2443	3258	4072	4887	5701	6516	7330	8145
6.5	2.90	956	1912	2868	3824	4779	5735	6691	7647	8603	9559
7	3.12	1109	2217	3326	4434	5543	6652	7760	8869	9977	11086



**2 ELEVATION VIEW**  
SCALE: 1:10 MTS.



**NOTE:**  
CONTACT ULTI GROUP FOR ANY CUSTOMISATIONS AND TO DISCUSS PROJECT SPECIFIC INFORMATION



www.ultigroup.co.nz  
sales@ultigroup.co.nz  
Phone: 0800 807 753  
68 McLaughlins Road, Wiri, Auckland, 2104

©Uliti Group Ltd, 2017

# Spanguard Retractable Mesh Safety Barrier

No.	Description	Date
1	CHECKED AND CODED BY TS	MAR.20.2017
2	BLOW UP DETAIL ADDED	OCT.24.2017

**PLAN VIEW, ELEVATION AND 3D VIEW**

Project Number  
Date: MARCH.14.2017  
Drawn By: J.ENRIQUEZ

**SPANGUARD-001**

Scale: As indicated @ A0

\*All dimensions are in millimeters unless otherwise specified