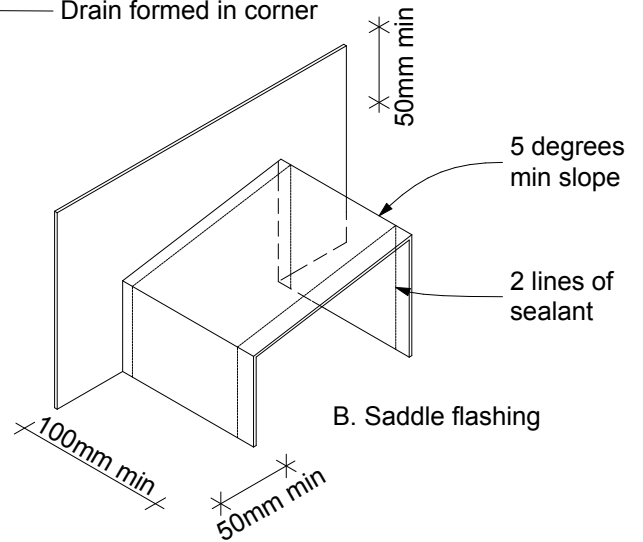
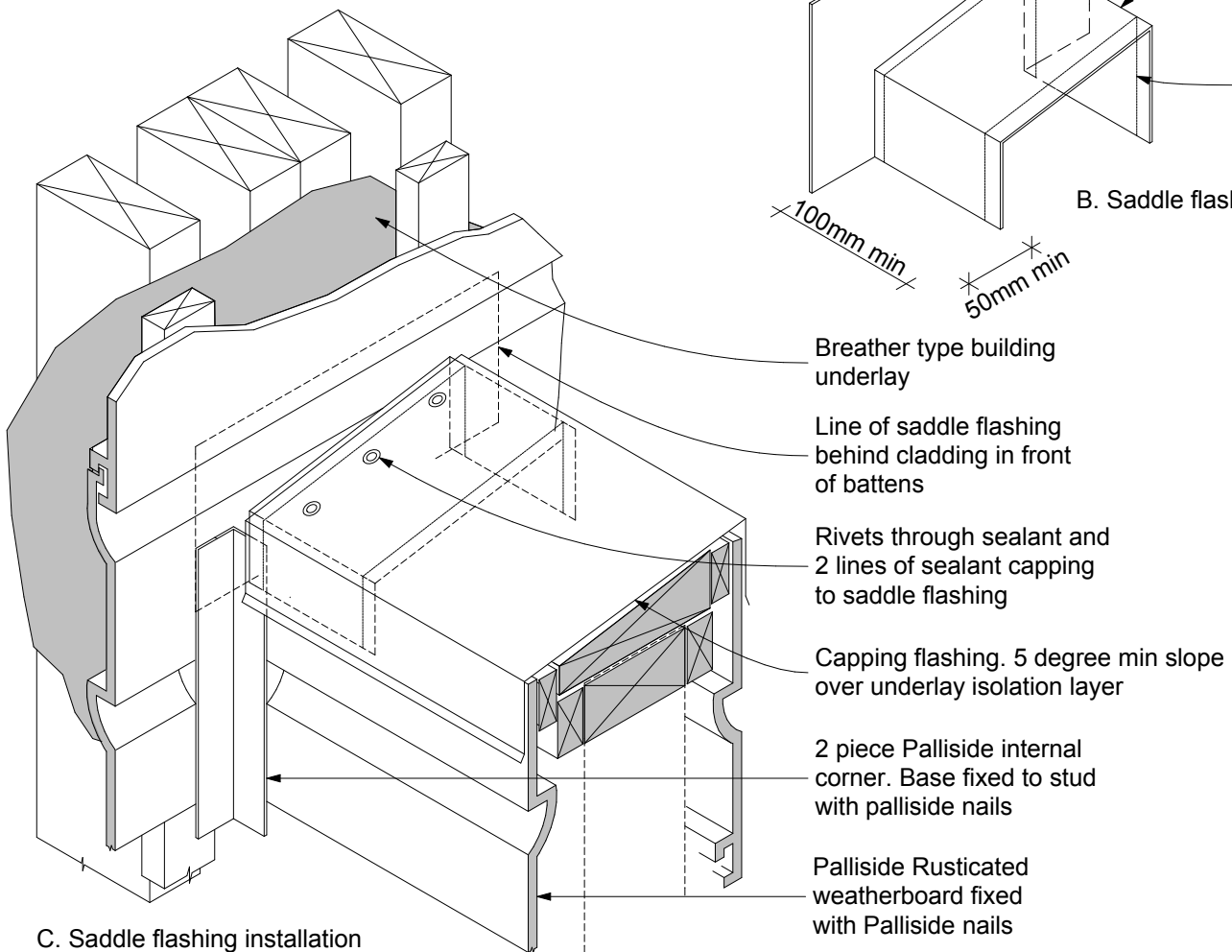


A. Flexible flashing tape installation



B. Saddle flashing



C. Saddle flashing installation



Balustrade / Wall Junction

Palliside Rusticated Weatherboard

| | |
|---|----------------|
| Scale: | 1:5 |
| Do not scale from drawings. Contact Dynex Extrusions Ltd for exact dimensions www.palliside.co.nz 0800 4 DYNEX (0800 4 39639) | |
| Date: | March 2015 |
| Detail No: | DC-24-R |