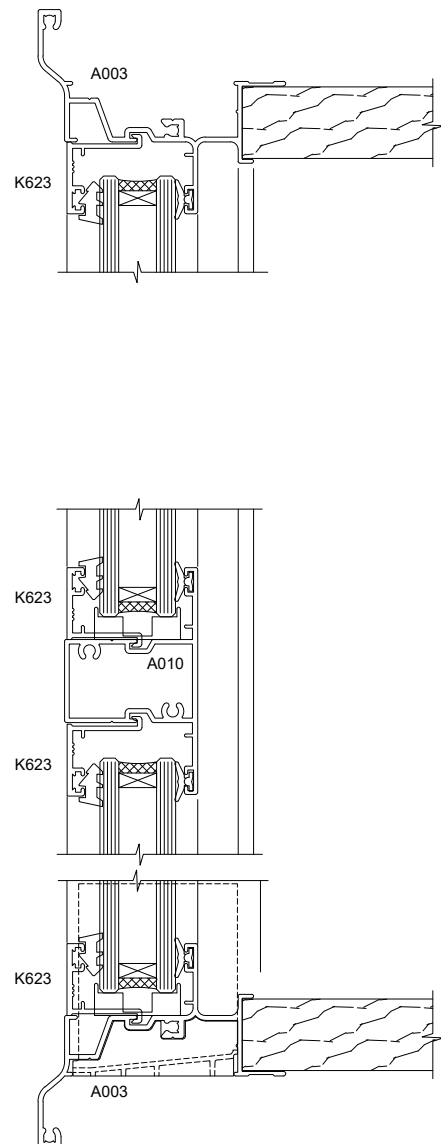


SECTION A-A



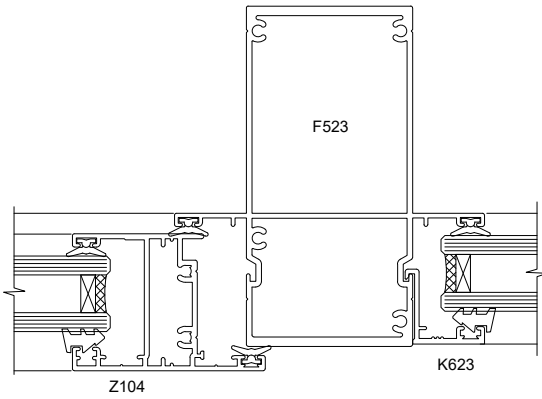
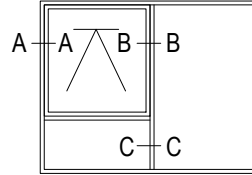
SECTION B-B

AWNING / CASEMENT WINDOW

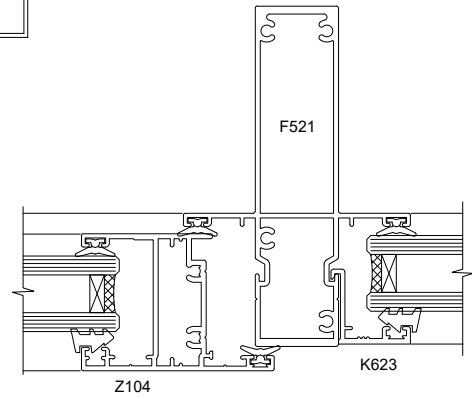
FAIRVIEW SYSTEMS LIMITED SPECIFIERS GUIDE 2014 © TECHNICAL SPECIFICATIONS & PROFILE DETAILS SUBJECT TO CHANGE WITHOUT NOTICE

CLASSIC RESIDENTIAL 35 - COMPLETE SUITE

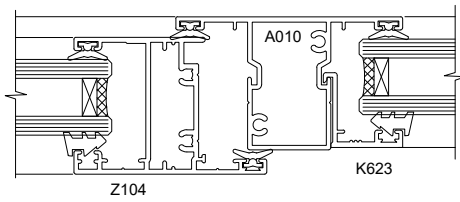
DATE 20.12.2017	SCALE 1:2
REF. CR35.0001	



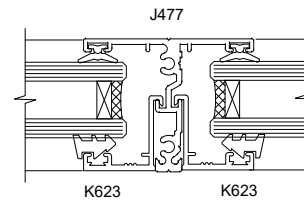
SECTION B-B



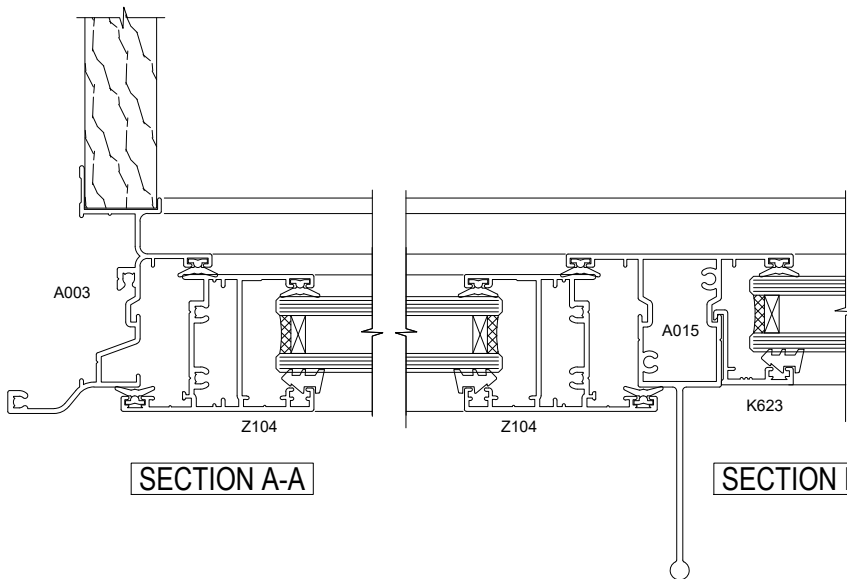
SECTION B-B



SECTION B-B



SECTION C-C



SECTION A-A

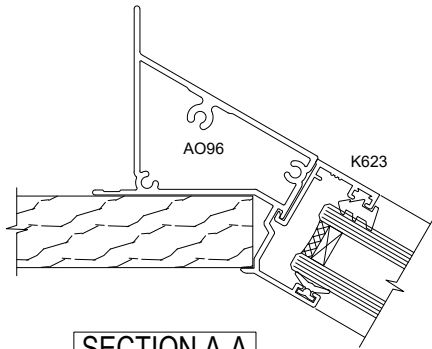
SECTION B-B

AWNING / CASEMENT WINDOW

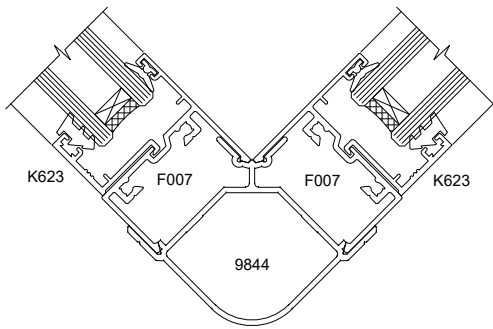
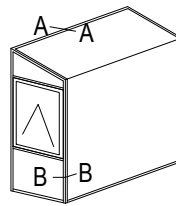
FAIRVIEW SYSTEMS LIMITED SPECIFIERS GUIDE 2014 © TECHNICAL SPECIFICATIONS & PROFILE DETAILS SUBJECT TO CHANGE WITHOUT NOTICE

CLASSIC RESIDENTIAL 35 - COMPLETE SUITE

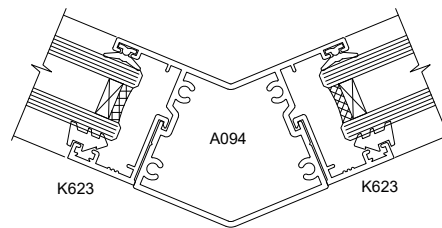
DATE 20.12.2017	SCALE 1:2
REF. CR35.0002	



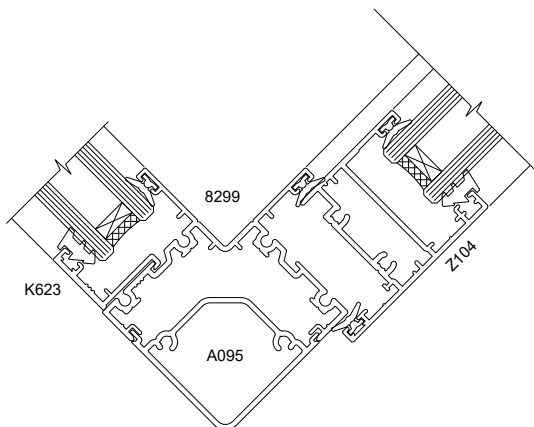
SECTION A-A



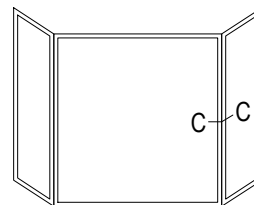
SECTION B-B



SECTION C-C



SECTION B-B

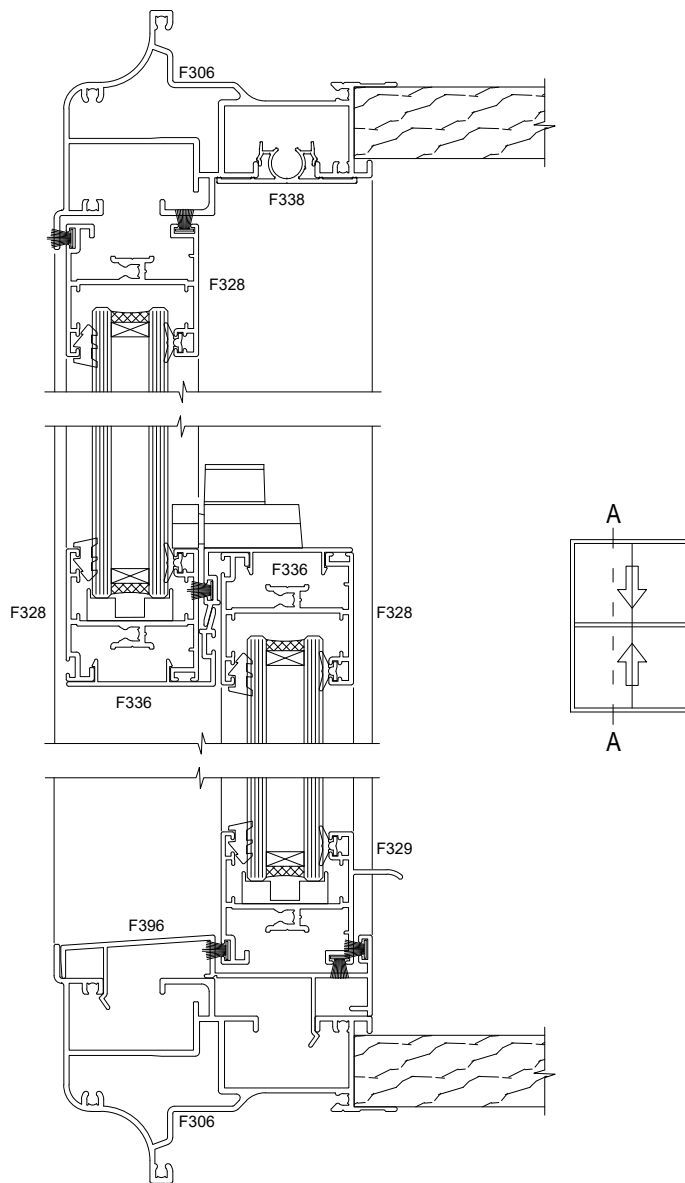


BOX & BAY WINDOW

FAIRVIEW SYSTEMS LIMITED SPECIFIERS GUIDE 2014 © TECHNICAL SPECIFICATIONS & PROFILE DETAILS SUBJECT TO CHANGE WITHOUT NOTICE

CLASSIC RESIDENTIAL 35 - COMPLETE SUITE

DATE 20.12.2017	SCALE 1:2
REF. CR35.0003	



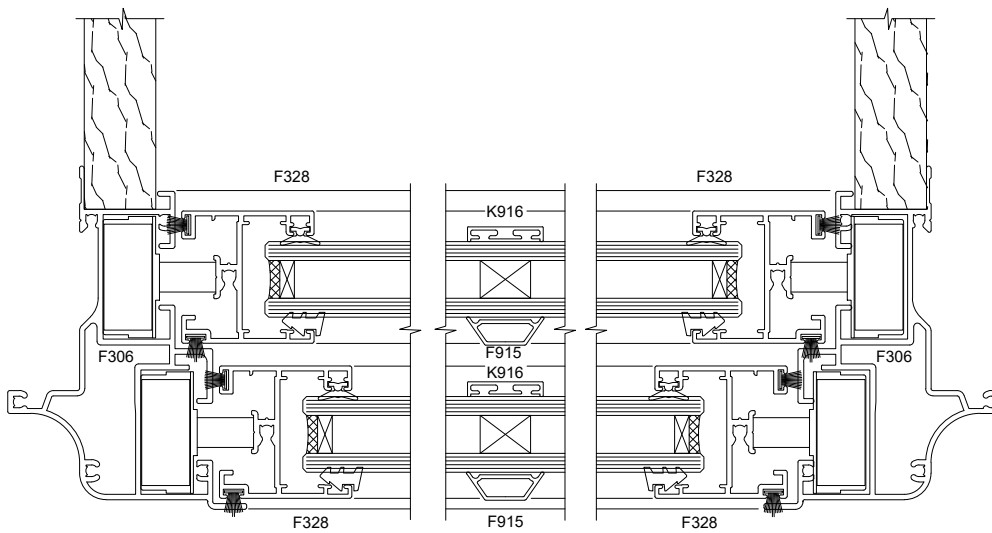
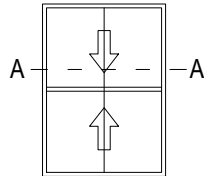
SECTION A-A

DOUBLE HUNG WINDOW

FAIRVIEW SYSTEMS LIMITED SPECIFIERS GUIDE 2014 © TECHNICAL SPECIFICATIONS & PROFILE DETAILS SUBJECT TO CHANGE WITHOUT NOTICE

CLASSIC RESIDENTIAL 35 - COMPLETE SUITE

DATE 20.12.2017	SCALE 1:2
REF. CR35.0011	



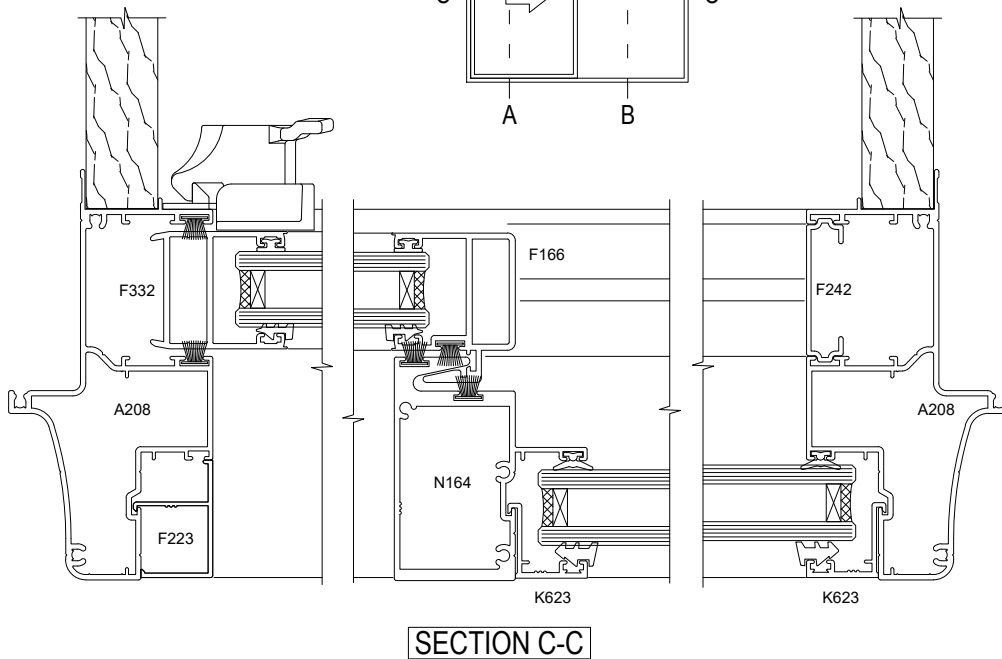
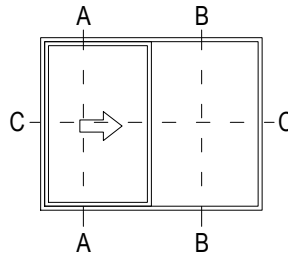
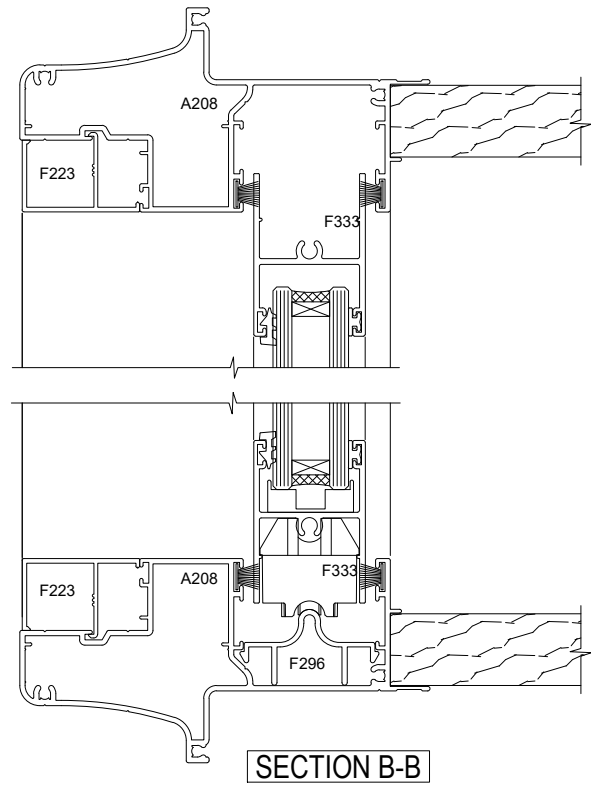
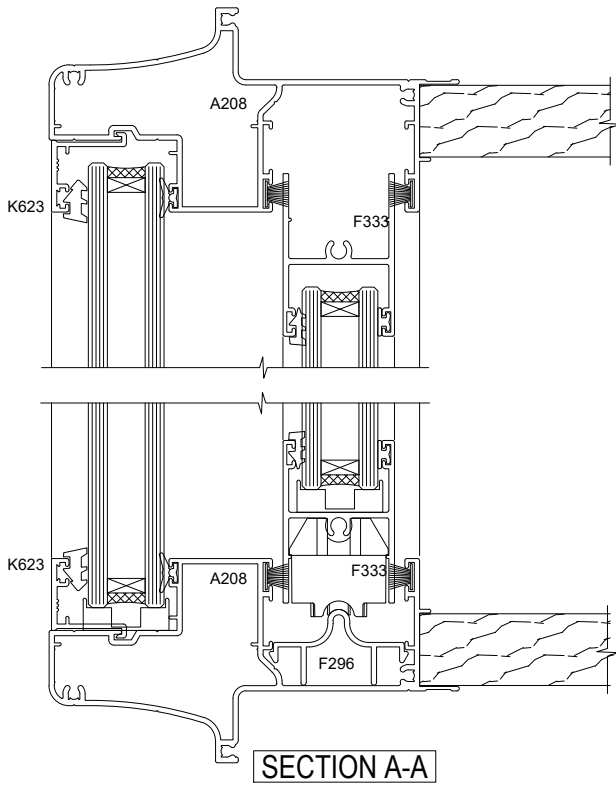
SECTION A-A

DOUBLE HUNG WINDOW

FAIRVIEW SYSTEMS LIMITED SPECIFIERS GUIDE 2014 © TECHNICAL SPECIFICATIONS & PROFILE DETAILS SUBJECT TO CHANGE WITHOUT NOTICE

CLASSIC RESIDENTIAL 35 - COMPLETE SUITE

DATE 20.12.2017	SCALE 1:2
REF. CR35.0012	

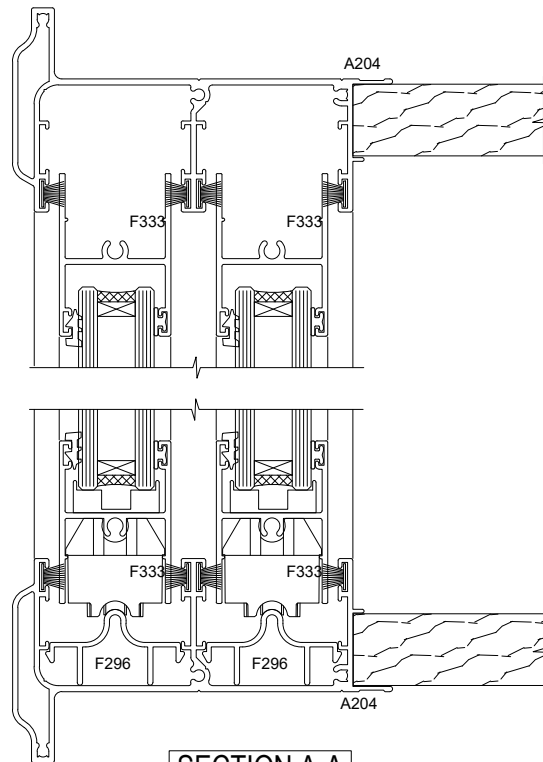


SLIDING WINDOW

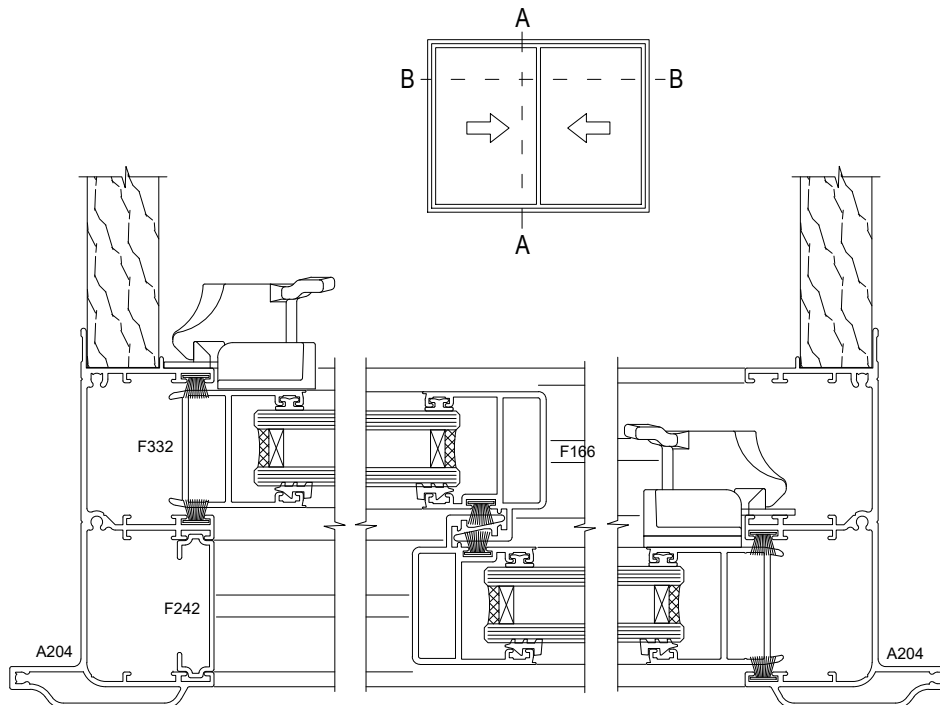
FAIRVIEW SYSTEMS LIMITED SPECIFIERS GUIDE 2014 © TECHNICAL SPECIFICATIONS & PROFILE DETAILS SUBJECT TO CHANGE WITHOUT NOTICE

CLASSIC RESIDENTIAL 35 - COMPLETE SUITE

DATE 20.12.2017	SCALE 1:2
REF. CR35.0021	



SECTION A-A



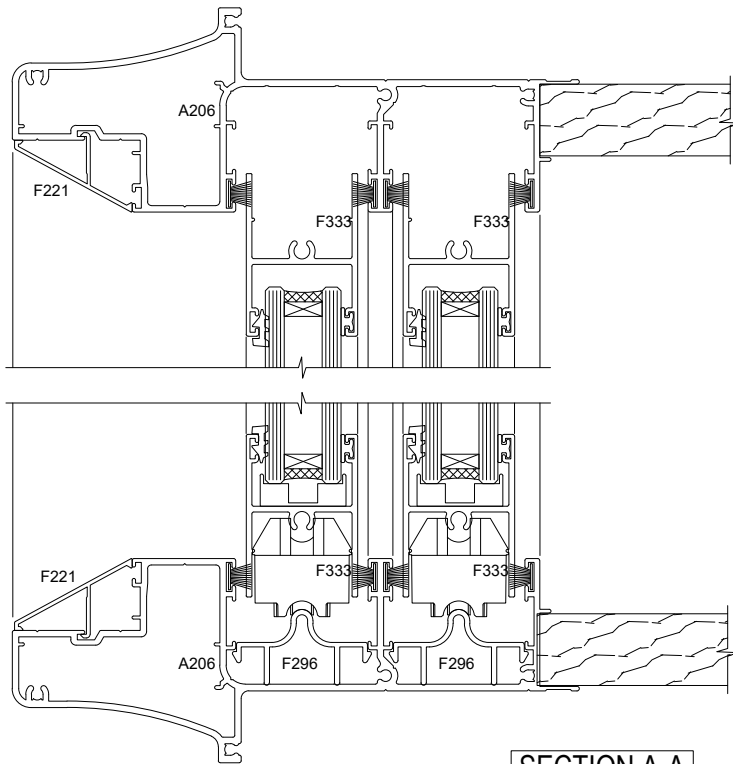
SECTION B-B

SLIDING WINDOW

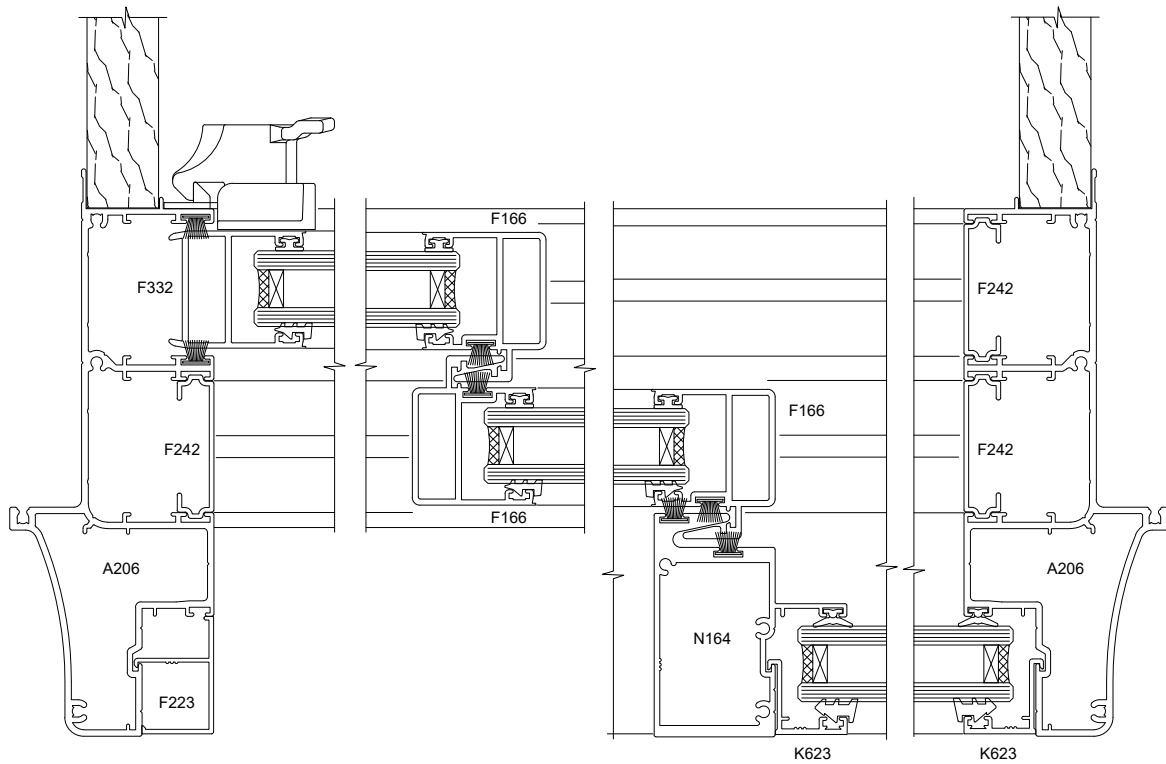
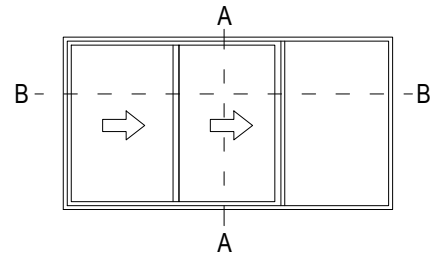
FAIRVIEW SYSTEMS LIMITED SPECIFIERS GUIDE 2014 © TECHNICAL SPECIFICATIONS & PROFILE DETAILS SUBJECT TO CHANGE WITHOUT NOTICE

CLASSIC RESIDENTIAL 35 - COMPLETE SUITE

DATE 20.12.2017	SCALE 1:2
REF. CR35.0022	



SECTION A-A



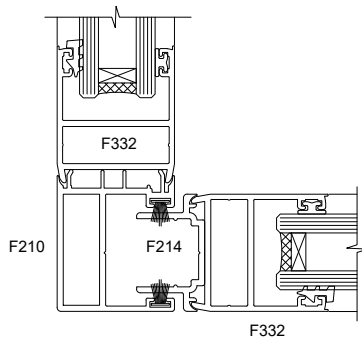
SECTION B-B

SLIDING WINDOW

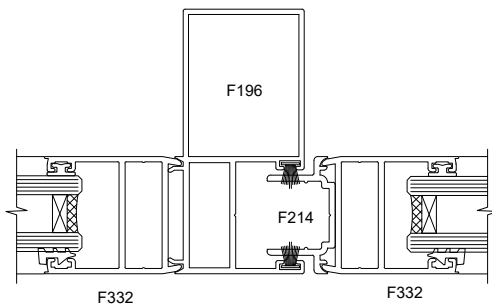
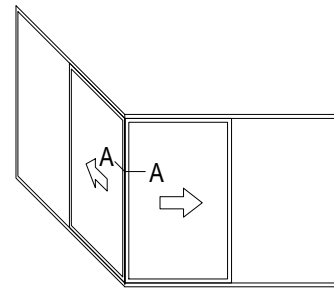
FAIRVIEW SYSTEMS LIMITED SPECIFIERS GUIDE 2014 © TECHNICAL SPECIFICATIONS & PROFILE DETAILS SUBJECT TO CHANGE WITHOUT NOTICE

CLASSIC RESIDENTIAL 35 - COMPLETE SUITE

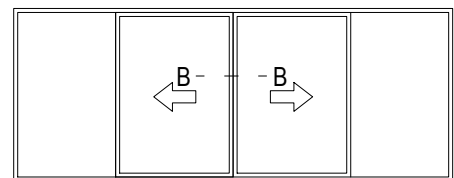
DATE 20.12.2017	SCALE 1:2
REF. CR35.0023	



SECTION A-A



SECTION B-B

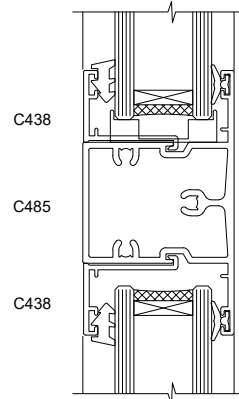
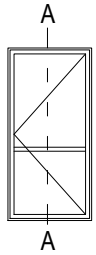
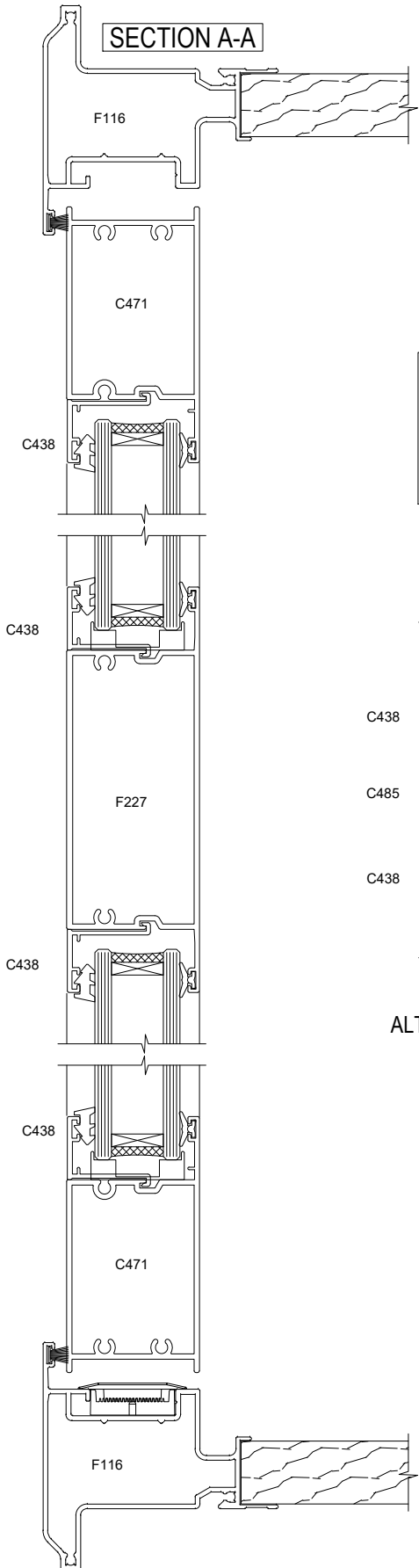


SLIDING WINDOW

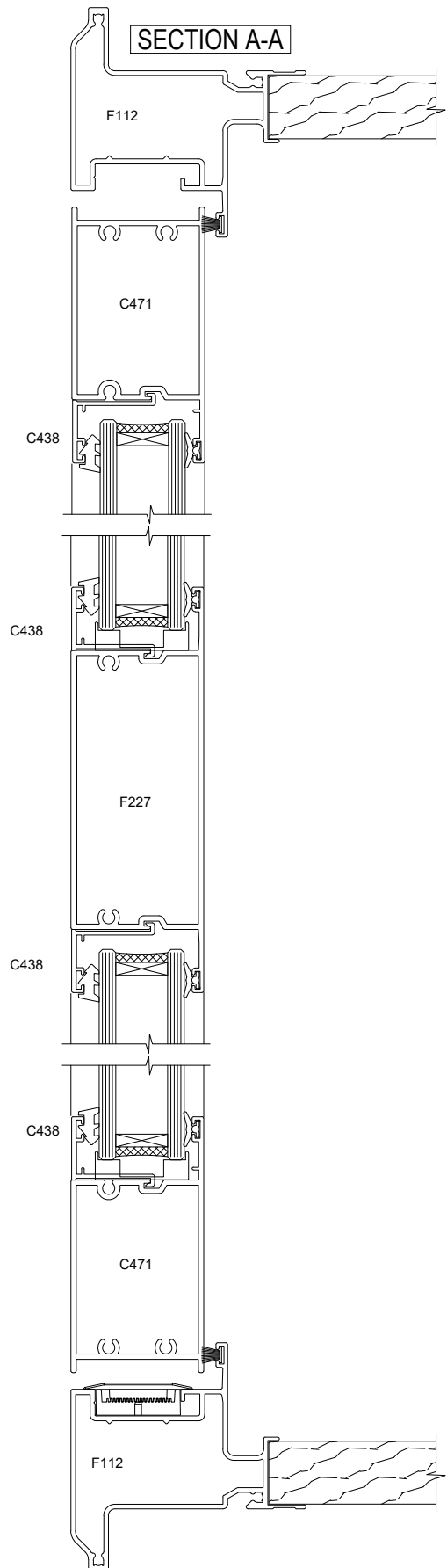
FAIRVIEW SYSTEMS LIMITED SPECIFIERS GUIDE 2014 © TECHNICAL SPECIFICATIONS & PROFILE DETAILS SUBJECT TO CHANGE WITHOUT NOTICE

CLASSIC RESIDENTIAL 35 - COMPLETE SUITE

DATE 20.12.2017	SCALE 1:2
REF. CR35.0024	



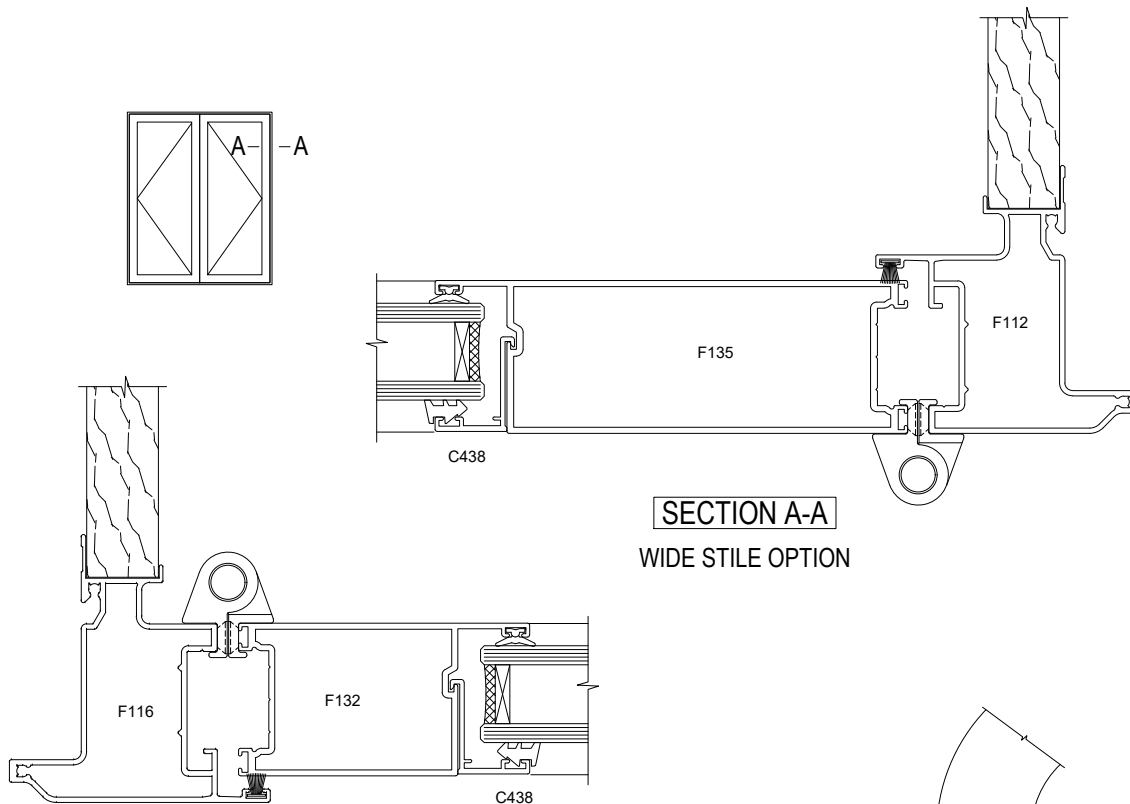
ALTERNATE VISION RAIL



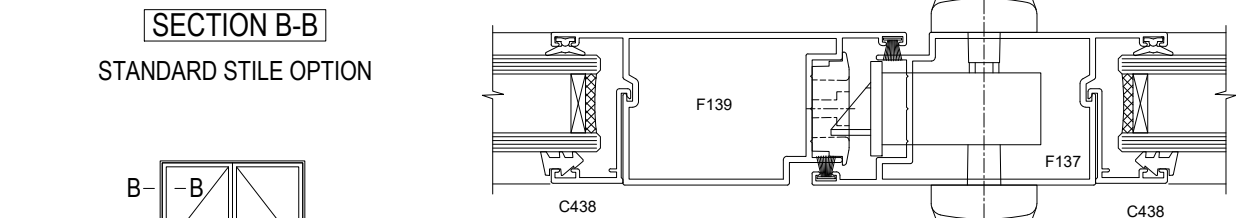
HINGED DOOR

FAIRVIEW SYSTEMS LIMITED SPECIFIERS GUIDE 2014 © TECHNICAL SPECIFICATIONS & PROFILE DETAILS SUBJECT TO CHANGE WITHOUT NOTICE

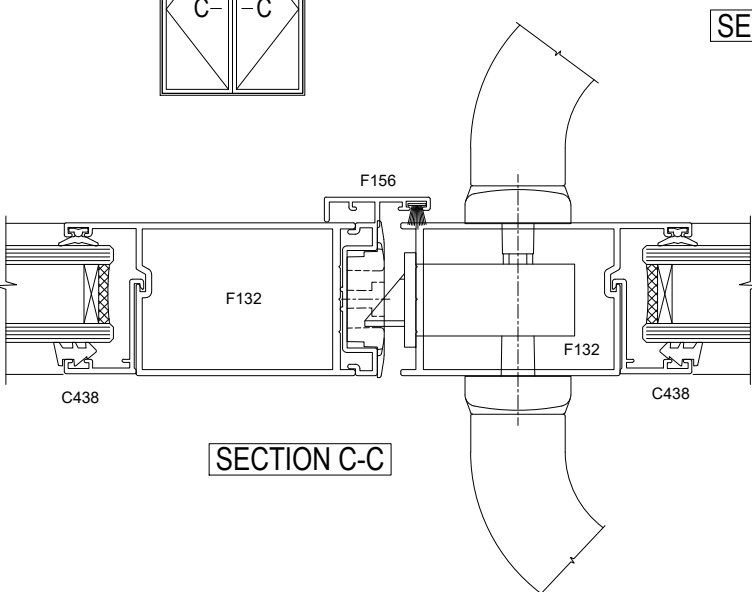
<h2>CLASSIC RESIDENTIAL 35 - COMPLETE SUITE</h2>	DATE 20.12.2017	SCALE 1:2
	REF. CR35.0031	



SECTION A-A
WIDE STILE OPTION



SECTION B-B
STANDARD STILE OPTION



SECTION C-C

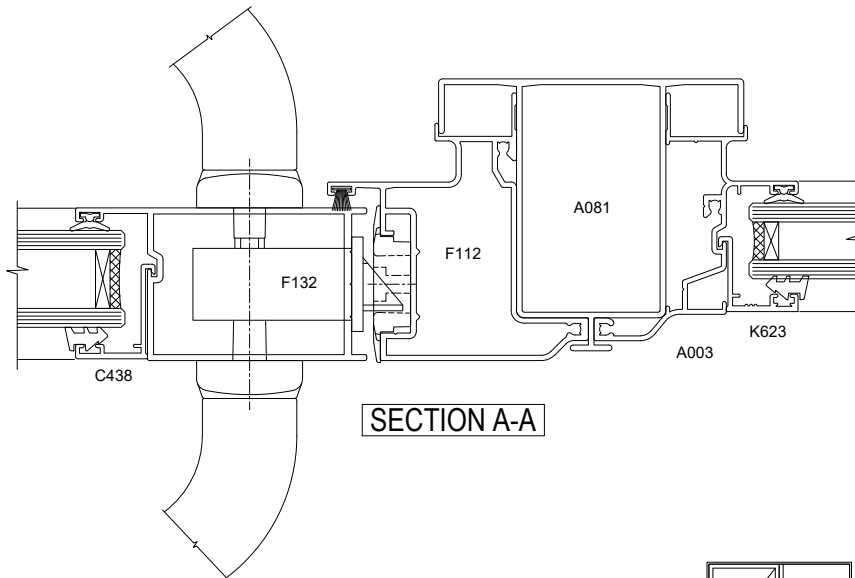
SECTION C-C

HINGED DOOR

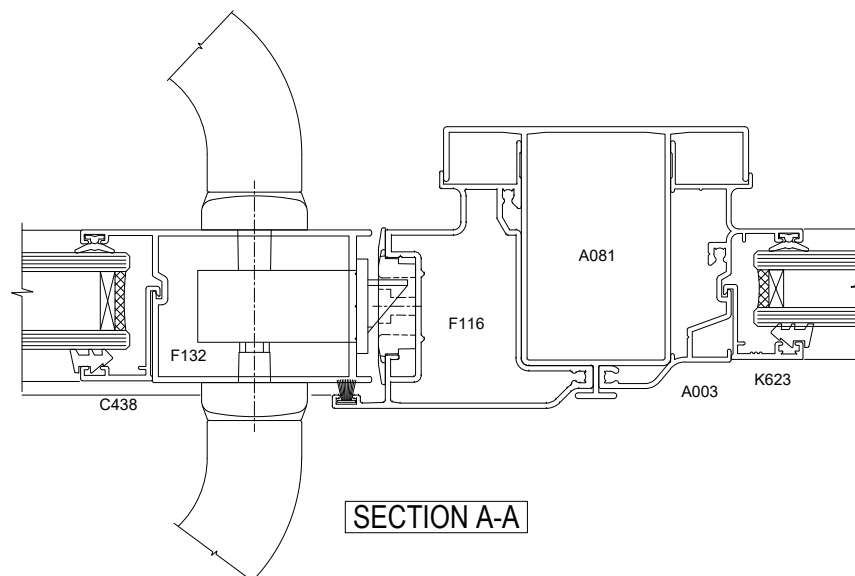
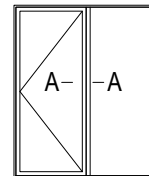
FAIRVIEW SYSTEMS LIMITED SPECIFIERS GUIDE 2014 © TECHNICAL SPECIFICATIONS & PROFILE DETAILS SUBJECT TO CHANGE WITHOUT NOTICE

CLASSIC RESIDENTIAL 35 - COMPLETE SUITE

DATE 20.12.2017	SCALE 1:2
REF. CR35.0032	



SECTION A-A



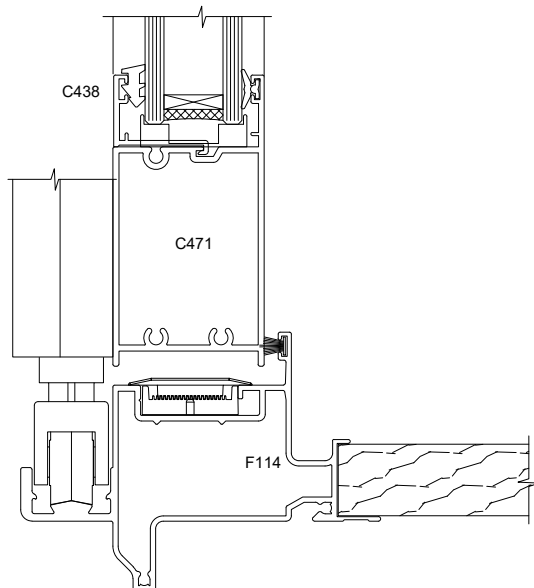
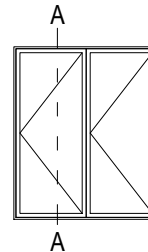
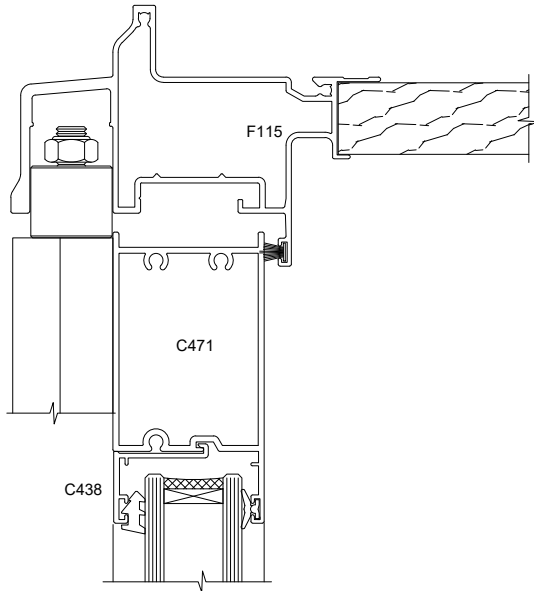
SECTION A-A

HINGED DOOR

FAIRVIEW SYSTEMS LIMITED SPECIFIERS GUIDE 2014 © TECHNICAL SPECIFICATIONS & PROFILE DETAILS SUBJECT TO CHANGE WITHOUT NOTICE

CLASSIC RESIDENTIAL 35 - COMPLETE SUITE

DATE 20.12.2017	SCALE 1:2
REF. CR35.0033	



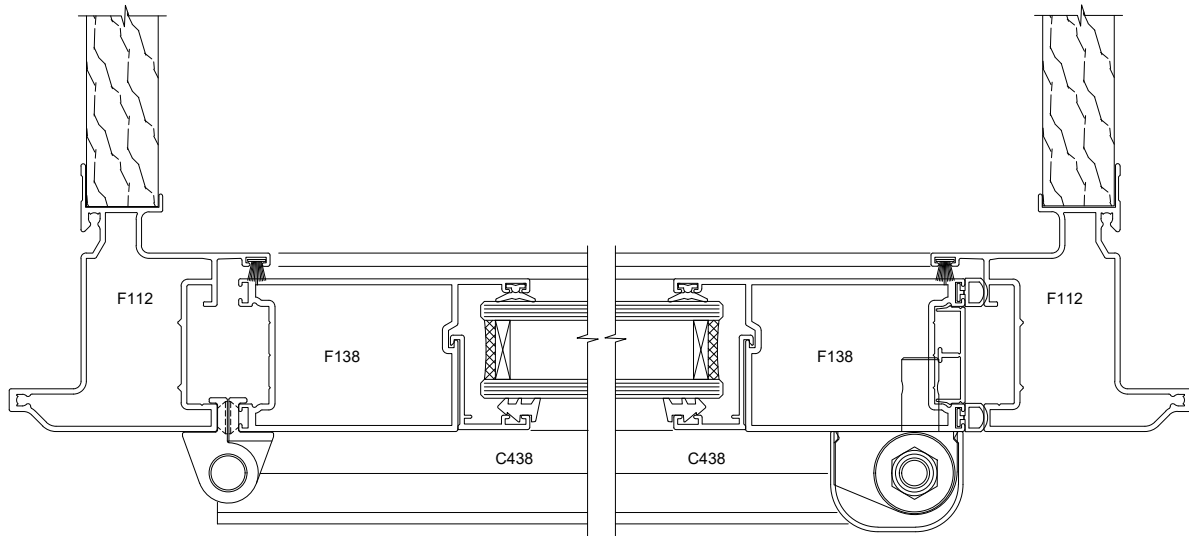
SECTION A-A

BOTTOM ROLLING BI-FOLD DOOR

FAIRVIEW SYSTEMS LIMITED SPECIFIERS GUIDE 2014 © TECHNICAL SPECIFICATIONS & PROFILE DETAILS SUBJECT TO CHANGE WITHOUT NOTICE

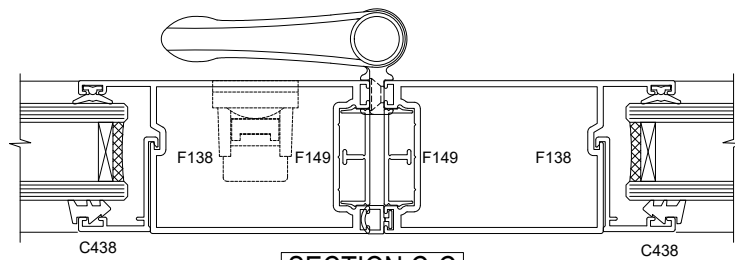
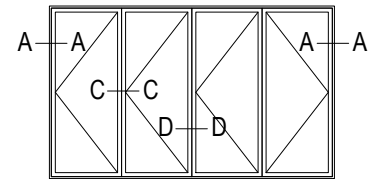
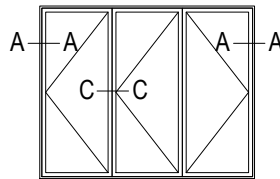
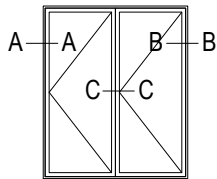
CLASSIC RESIDENTIAL 35 - COMPLETE SUITE

DATE 20.12.2017	SCALE 1:2
REF. CR35.0041	

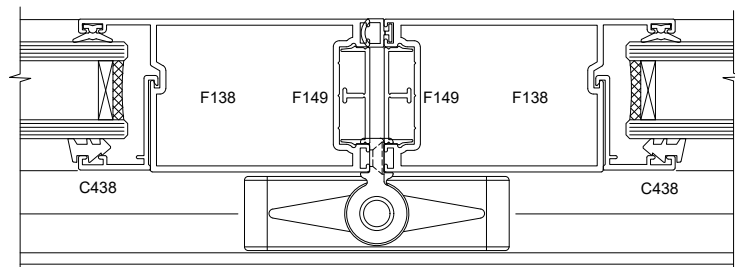


SECTION A-A

SECTION B-B



SECTION C-C



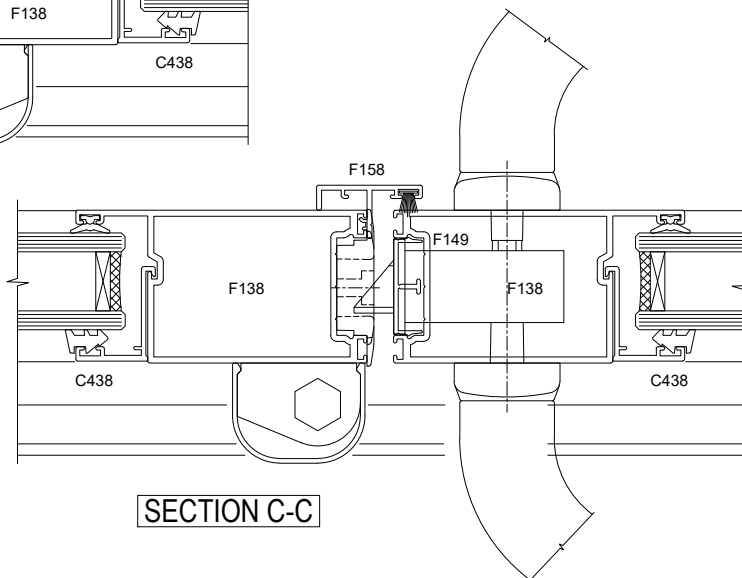
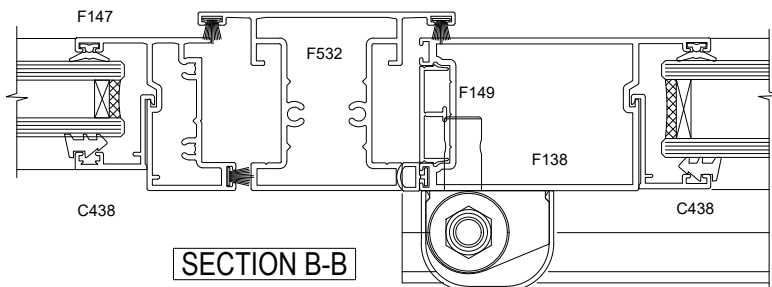
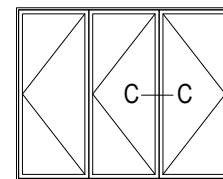
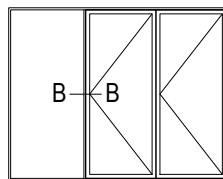
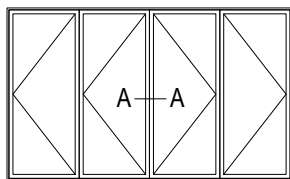
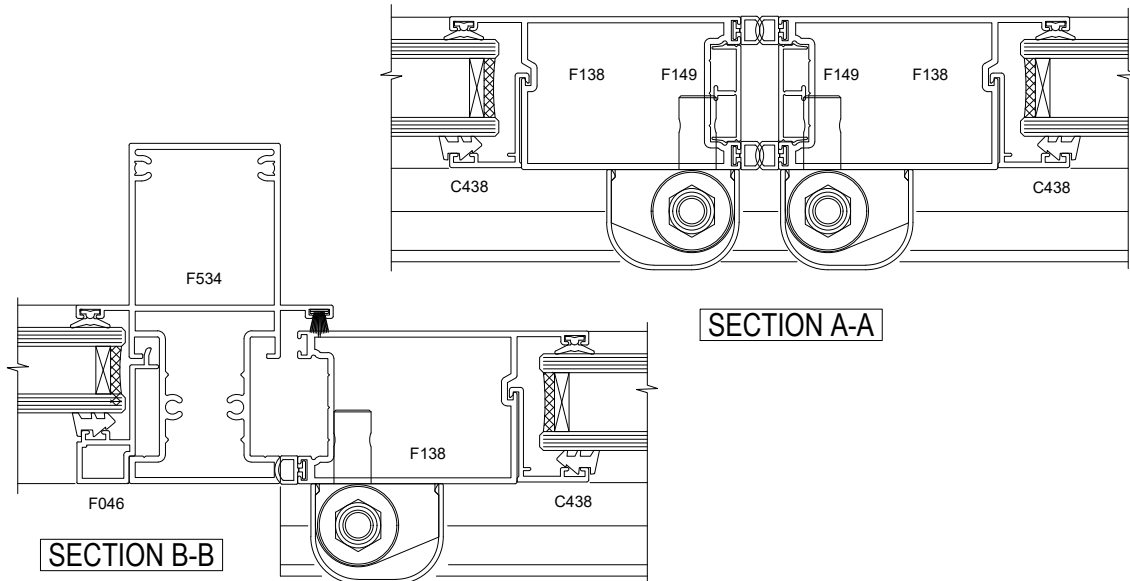
SECTION D-D

BOTTOM ROLLING BI-FOLD DOOR

FAIRVIEW SYSTEMS LIMITED SPECIFIERS GUIDE 2014 © TECHNICAL SPECIFICATIONS & PROFILE DETAILS SUBJECT TO CHANGE WITHOUT NOTICE

CLASSIC RESIDENTIAL 35 - COMPLETE SUITE

DATE 20.12.2017	SCALE 1:2
REF. CR35.0042	

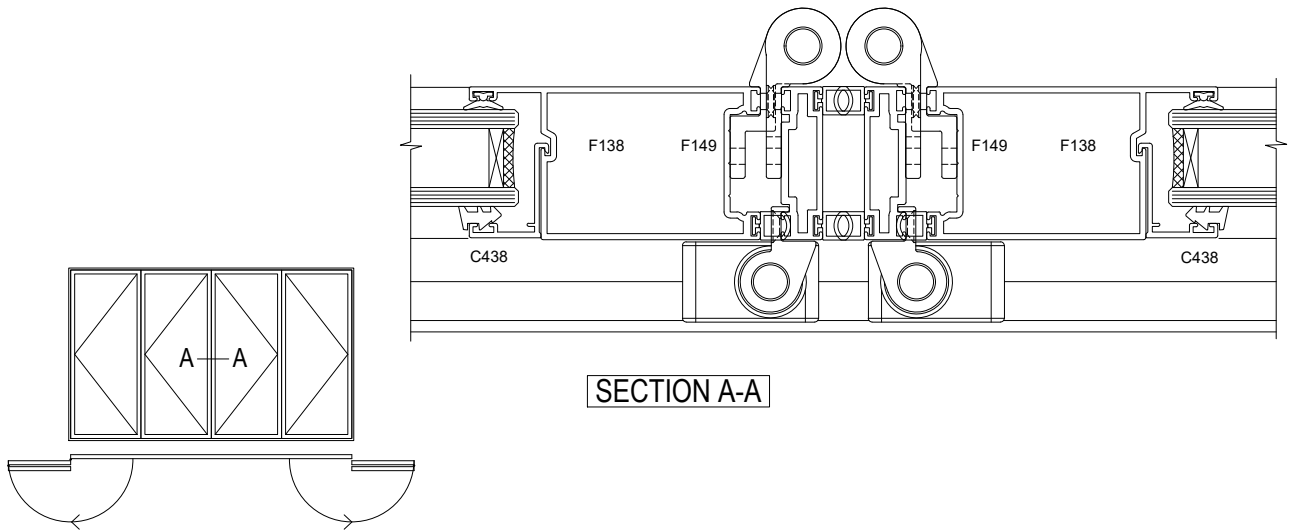


BOTTOM ROLLING BI-FOLD DOOR

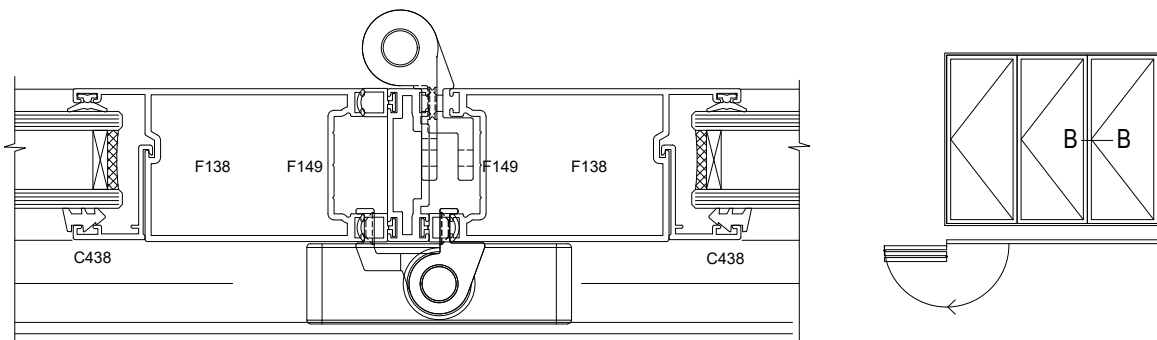
FAIRVIEW SYSTEMS LIMITED SPECIFIERS GUIDE 2014 © TECHNICAL SPECIFICATIONS & PROFILE DETAILS SUBJECT TO CHANGE WITHOUT NOTICE

CLASSIC RESIDENTIAL 35 - COMPLETE SUITE

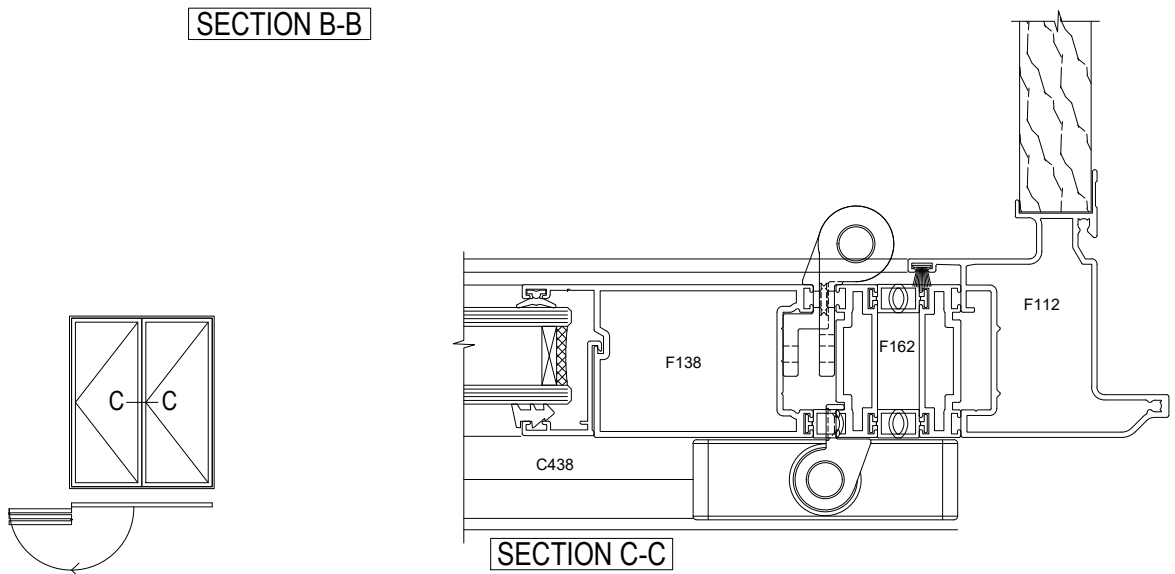
DATE 20.12.2017	SCALE 1:2
REF. CR35.0043	



SECTION A-A



SECTION B-B



SECTION C-C

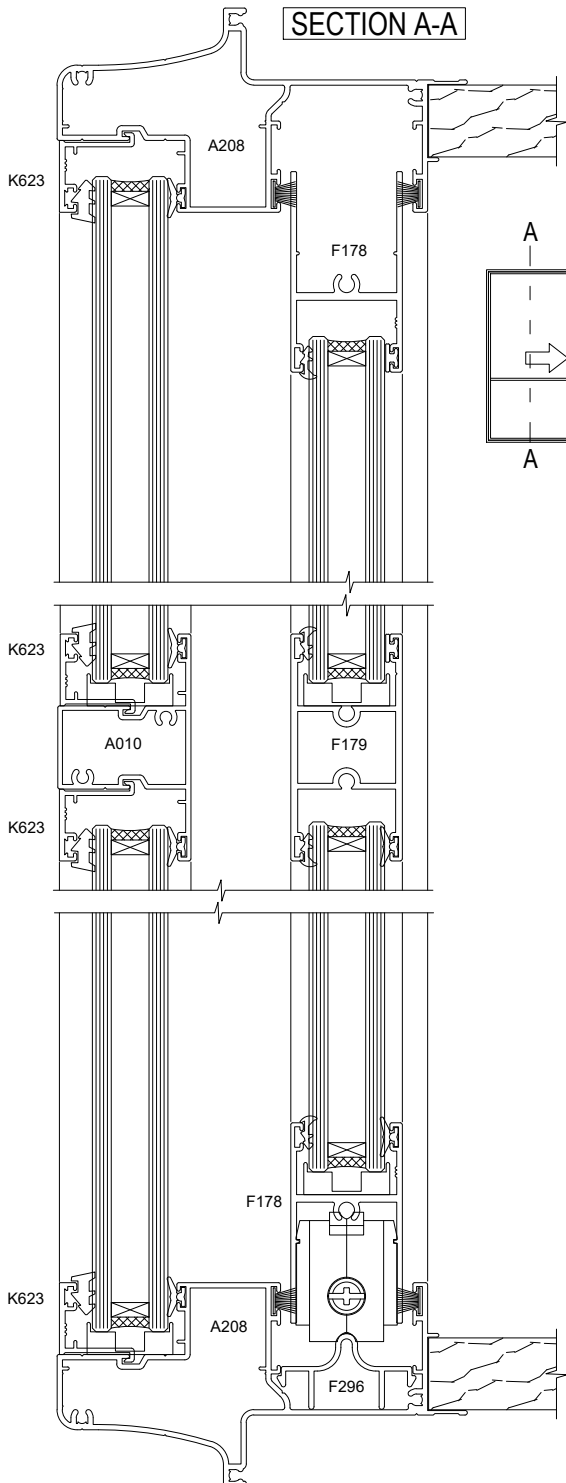
FREEFOLD

BOTTOM ROLLING BI-FOLD DOOR

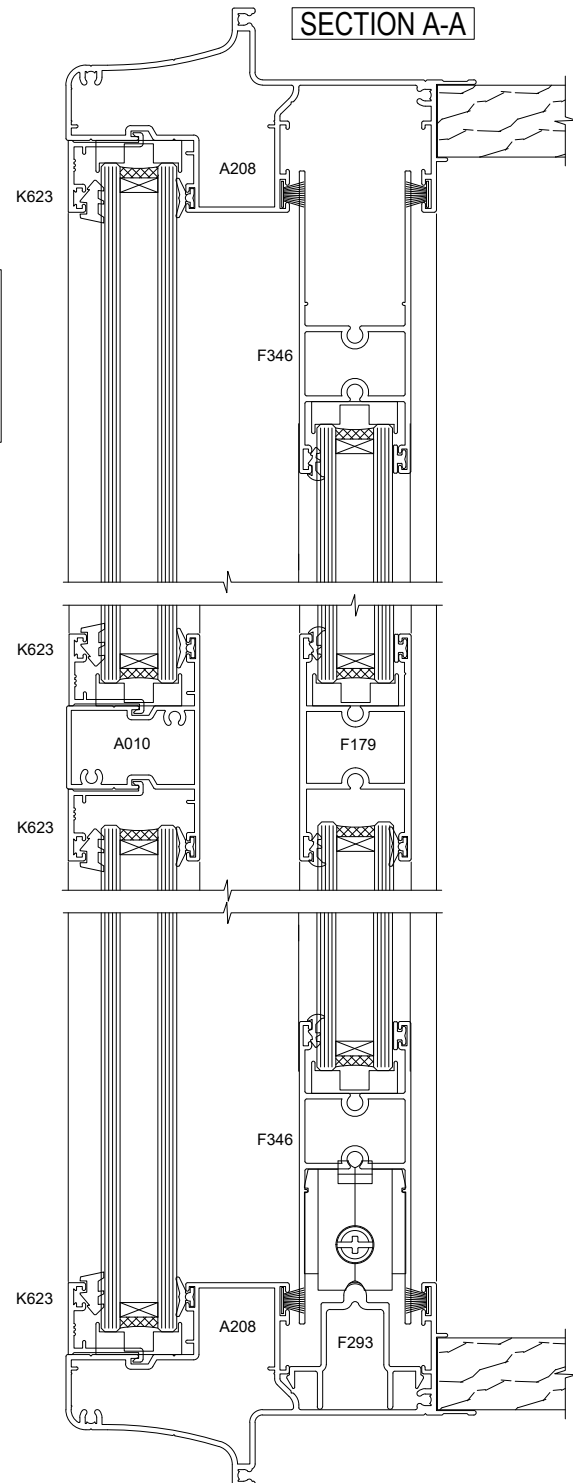
FAIRVIEW SYSTEMS LIMITED SPECIFIERS GUIDE 2014 © TECHNICAL SPECIFICATIONS & PROFILE DETAILS SUBJECT TO CHANGE WITHOUT NOTICE

CLASSIC RESIDENTIAL 35 - COMPLETE SUITE

DATE 20.12.2017	SCALE 1:2
REF. CR35.0044	



STANDARD TRACK SILL



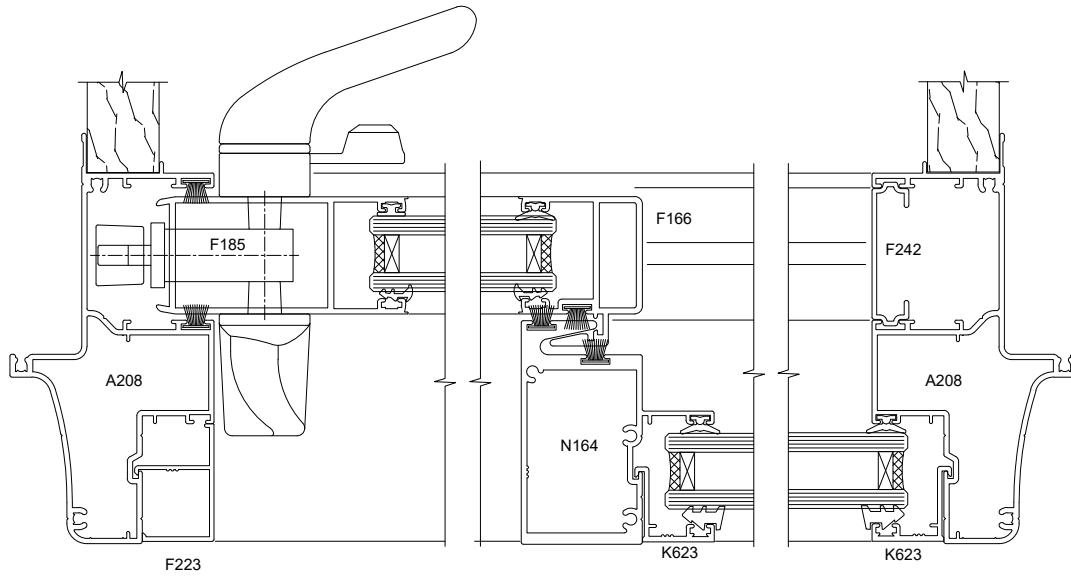
FLUSH TRACK SILL

SLIDING DOOR

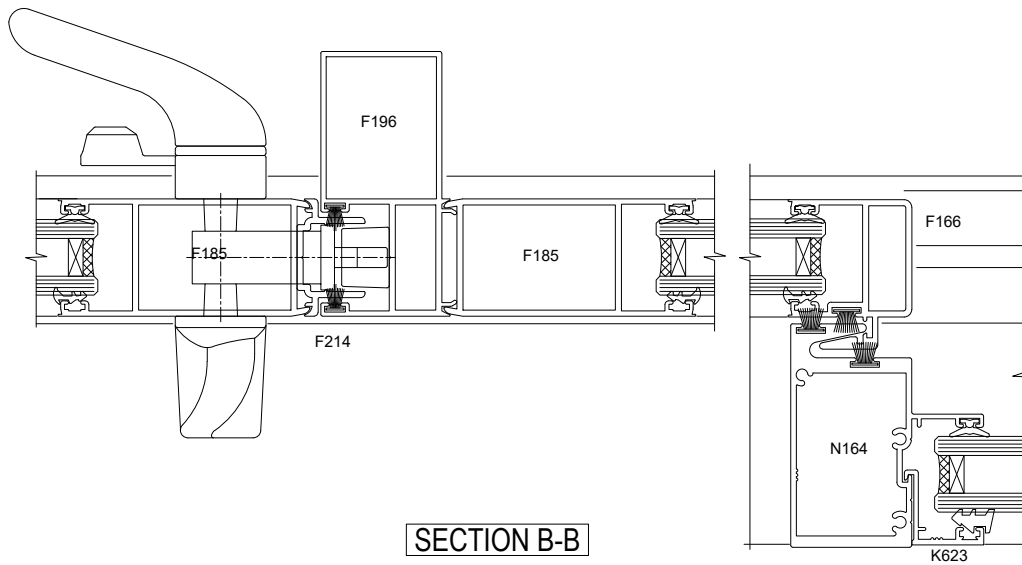
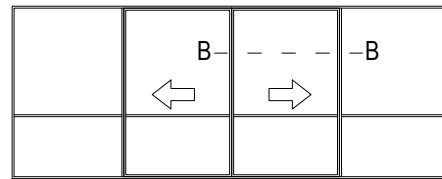
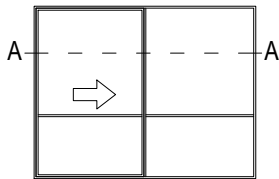
FAIRVIEW SYSTEMS LIMITED SPECIFIERS GUIDE 2014 © TECHNICAL SPECIFICATIONS & PROFILE DETAILS SUBJECT TO CHANGE WITHOUT NOTICE

CLASSIC RESIDENTIAL 35 - COMPLETE SUITE

DATE 20.12.2017	SCALE 1:2
REF. CR35.0051	



SECTION A-A



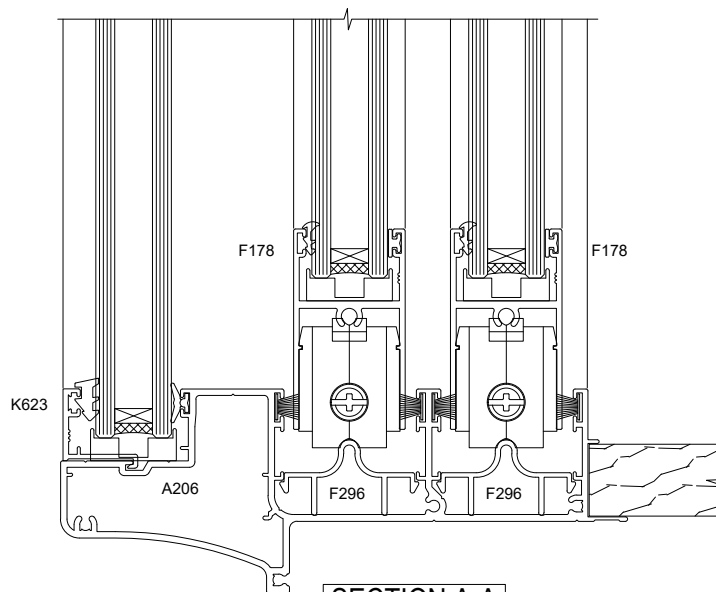
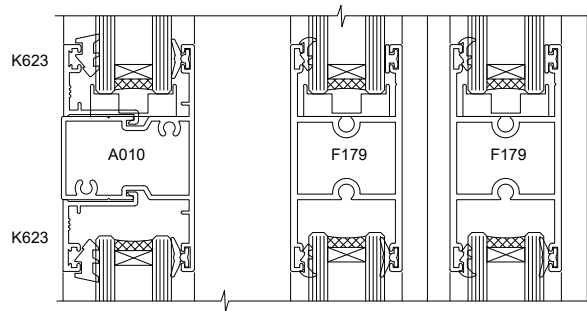
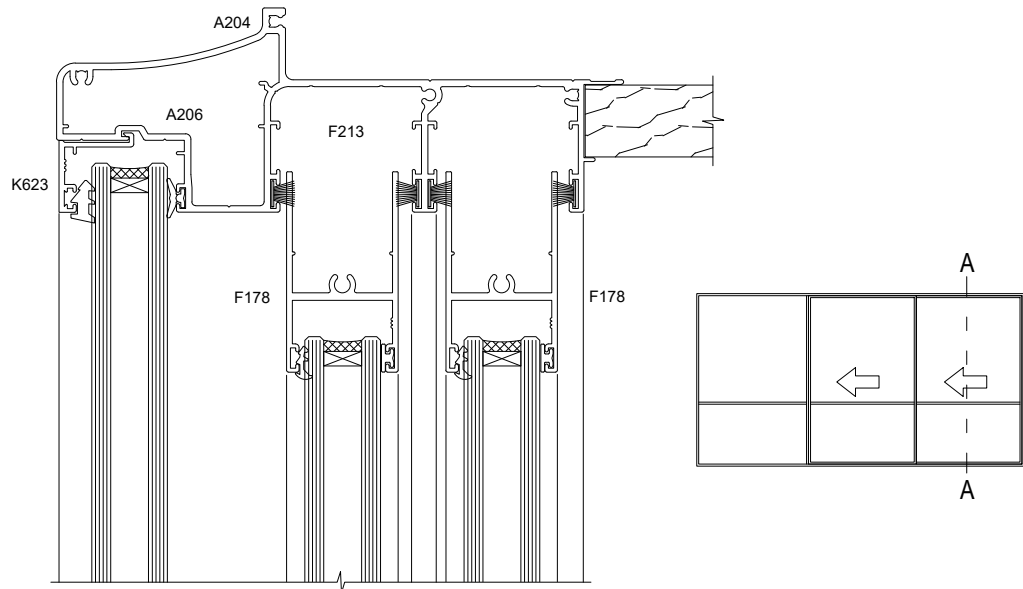
SECTION B-B

SLIDING DOOR

FAIRVIEW SYSTEMS LIMITED SPECIFIERS GUIDE 2014 © TECHNICAL SPECIFICATIONS & PROFILE DETAILS SUBJECT TO CHANGE WITHOUT NOTICE

CLASSIC RESIDENTIAL 35 - COMPLETE SUITE

DATE 20.12.2017	SCALE 1:2
REF. CR35.0052	



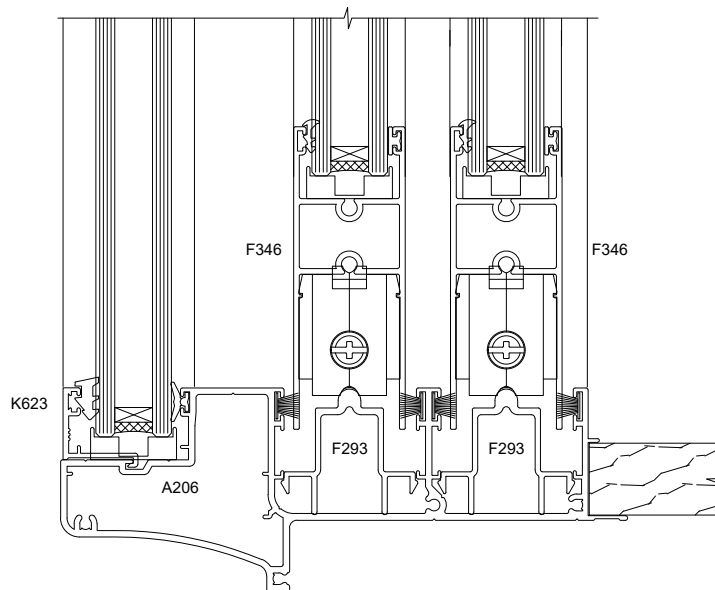
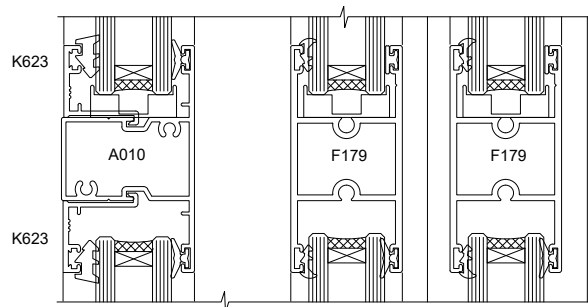
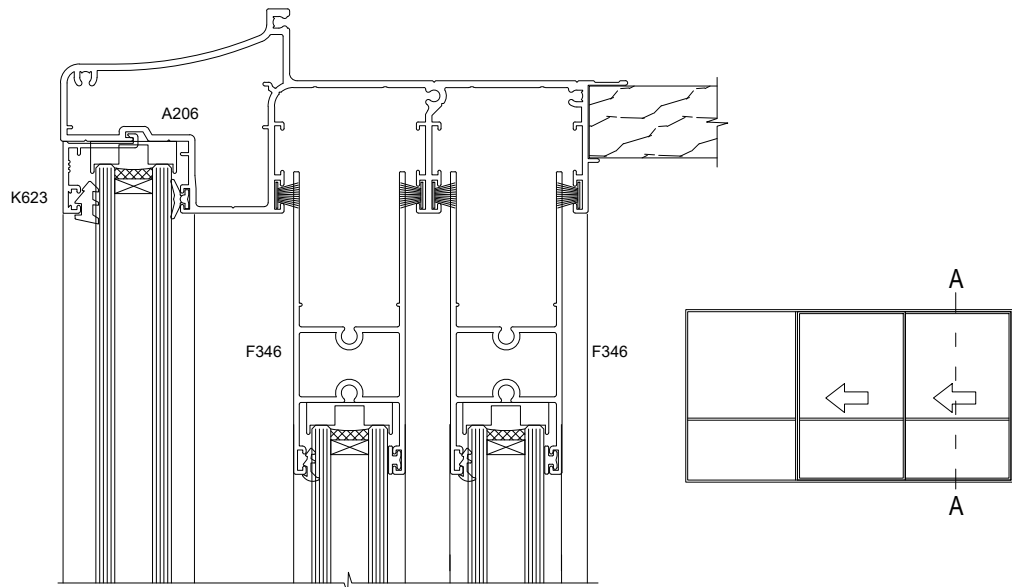
SECTION A-A

**STANDARD TRACK SILL
STACKING DOOR**

FAIRVIEW SYSTEMS LIMITED SPECIFIERS GUIDE 2014 © TECHNICAL SPECIFICATIONS & PROFILE DETAILS SUBJECT TO CHANGE WITHOUT NOTICE

CLASSIC RESIDENTIAL 35 - COMPLETE SUITE

DATE 20.12.2017	SCALE 1:2
REF. CR35.0061	

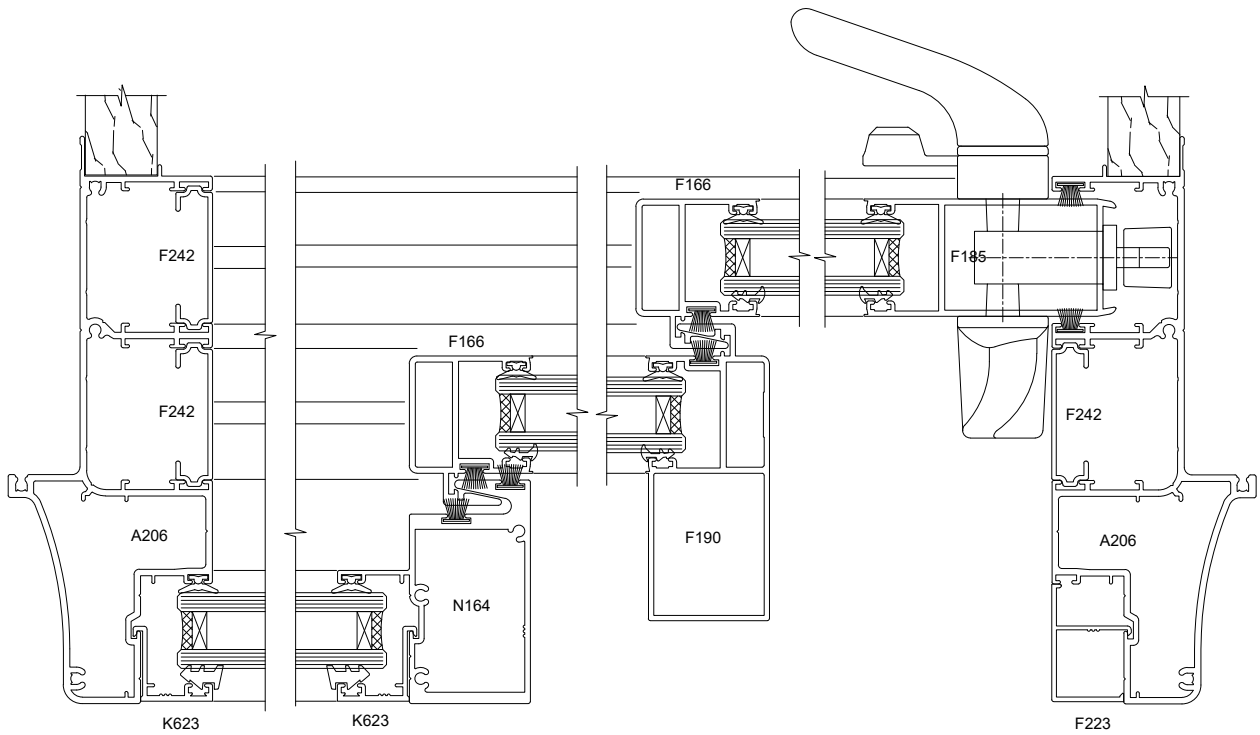
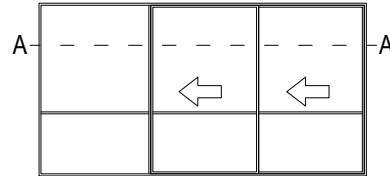


SECTION A-A
FLUSH TRACK SILL
STACKING DOOR

FAIRVIEW SYSTEMS LIMITED SPECIFIERS GUIDE 2014 © TECHNICAL SPECIFICATIONS & PROFILE DETAILS SUBJECT TO CHANGE WITHOUT NOTICE

CLASSIC RESIDENTIAL 35 - COMPLETE SUITE

DATE 20.12.2017	SCALE 1:2
REF. CR35.0062	



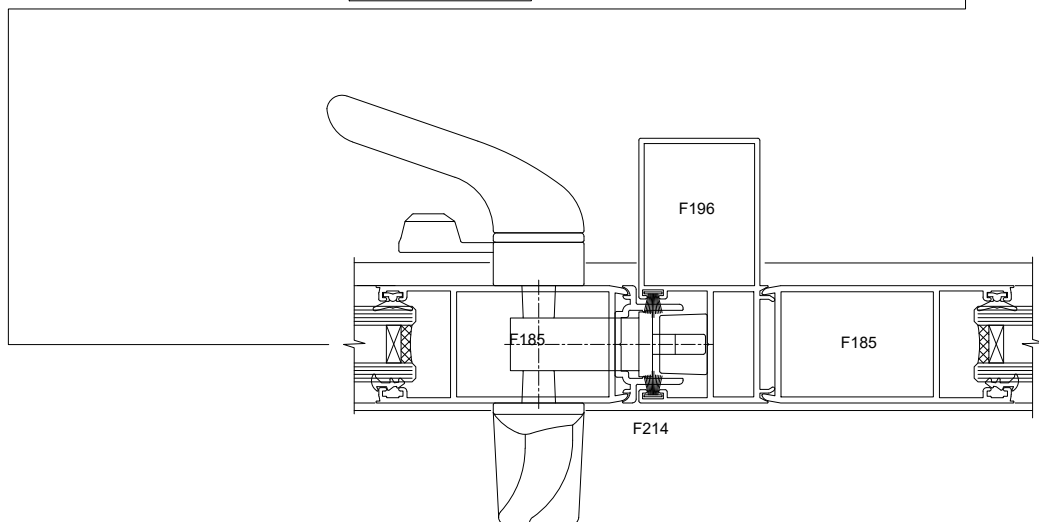
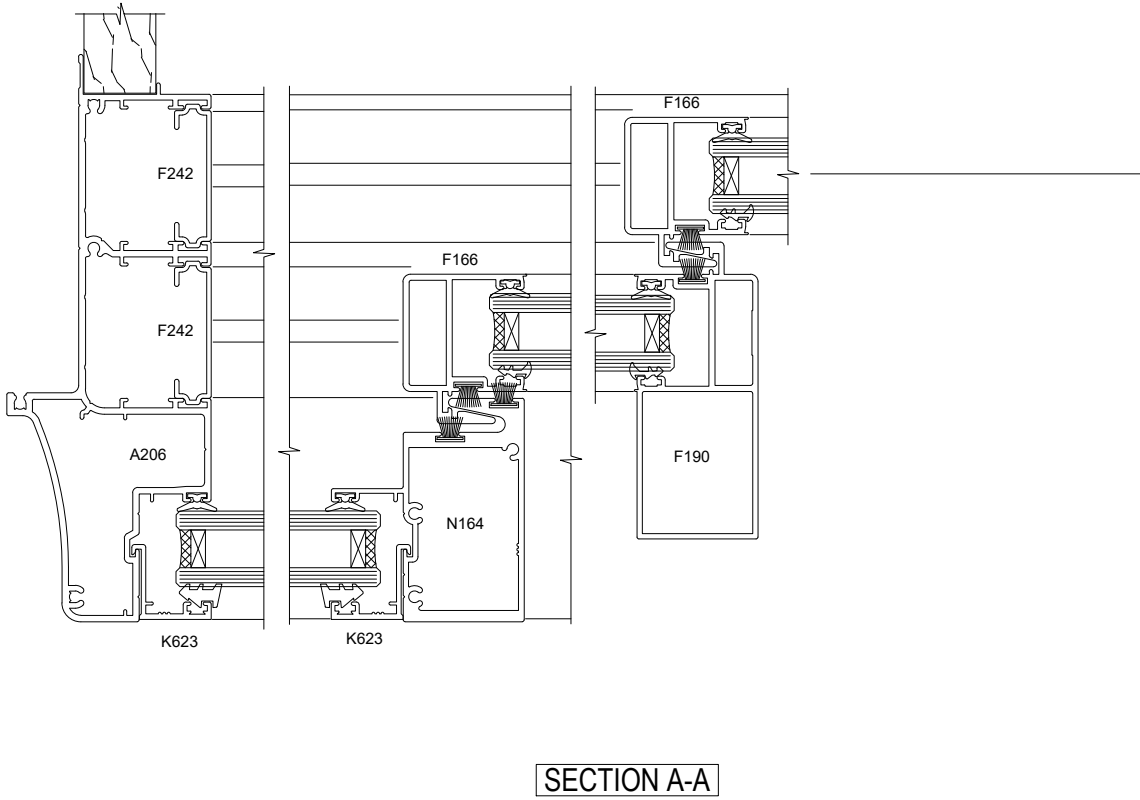
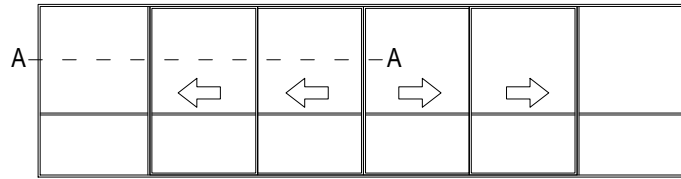
SECTION A-A

STACKING DOOR

FAIRVIEW SYSTEMS LIMITED SPECIFIERS GUIDE 2014 © TECHNICAL SPECIFICATIONS & PROFILE DETAILS SUBJECT TO CHANGE WITHOUT NOTICE

CLASSIC RESIDENTIAL 35 - COMPLETE SUITE

DATE 20.12.2017	SCALE 1:2
REF. CR35.0063	

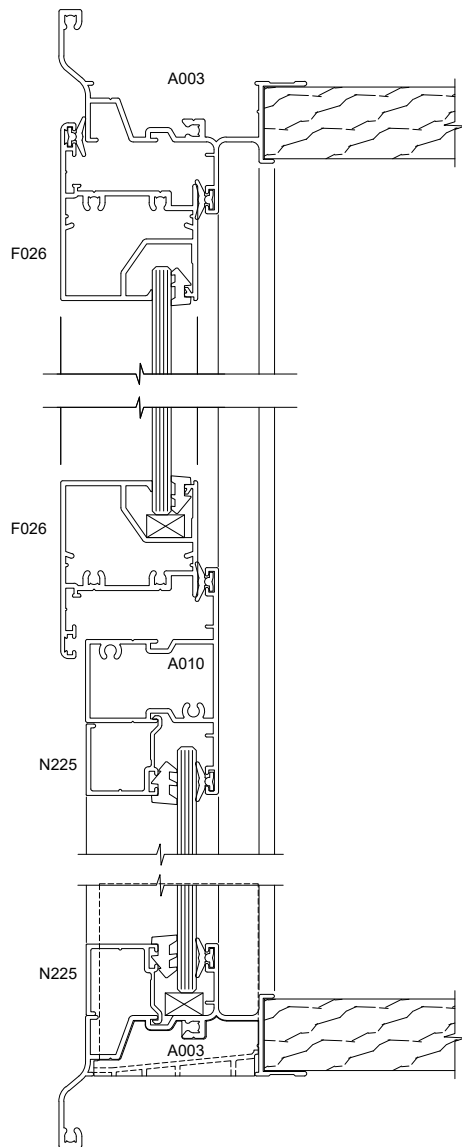
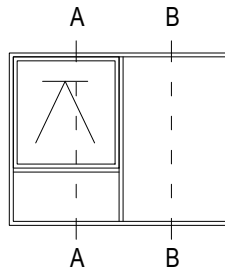


STACKING DOOR

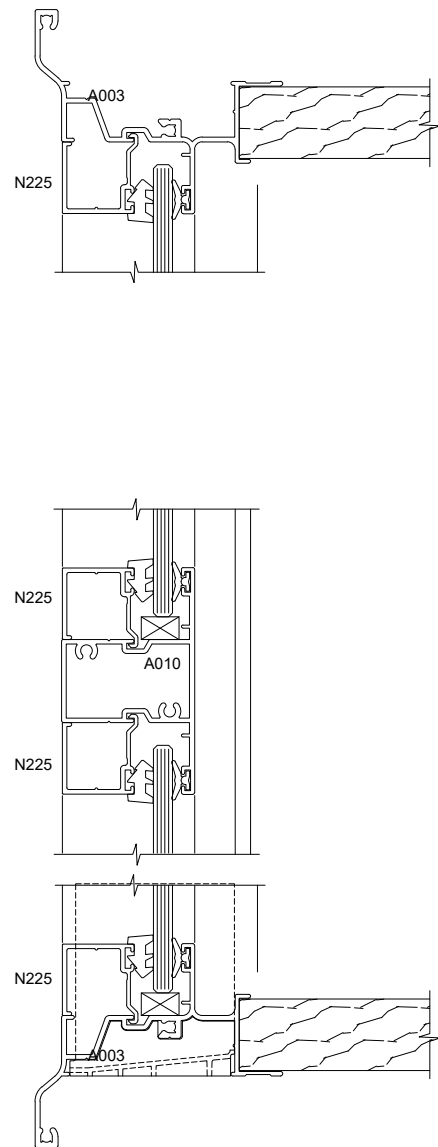
FAIRVIEW SYSTEMS LIMITED SPECIFIERS GUIDE 2014 © TECHNICAL SPECIFICATIONS & PROFILE DETAILS SUBJECT TO CHANGE WITHOUT NOTICE

CLASSIC RESIDENTIAL 35 - COMPLETE SUITE

DATE 20.12.2017	SCALE 1:2
REF. CR35.0064	



SECTION A-A



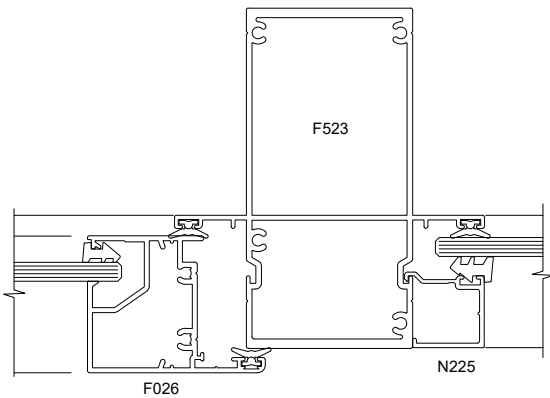
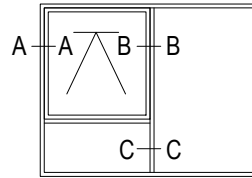
SECTION B-B

AWNING / CASEMENT WINDOW

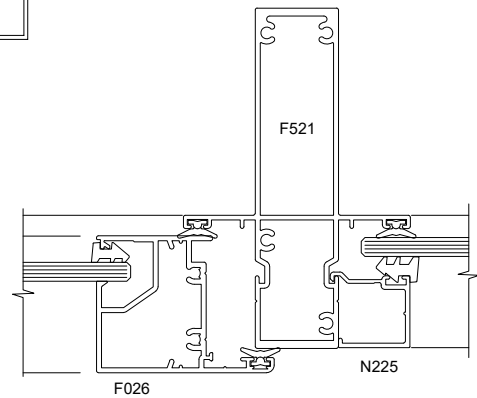
FAIRVIEW SYSTEMS LIMITED SPECIFIERS GUIDE 2014 © TECHNICAL SPECIFICATIONS & PROFILE DETAILS SUBJECT TO CHANGE WITHOUT NOTICE

CLASSIC RESIDENTIAL 35 - COMPLETE SUITE

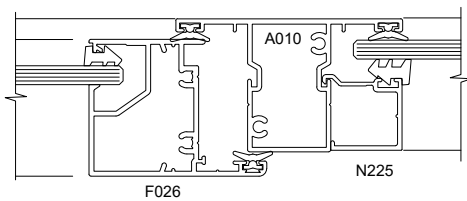
DATE 20.12.2017	SCALE 1:2
REF. CR35.1001	



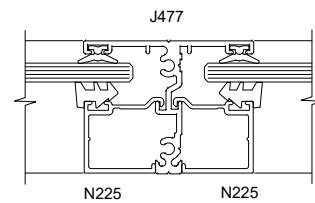
SECTION B-B



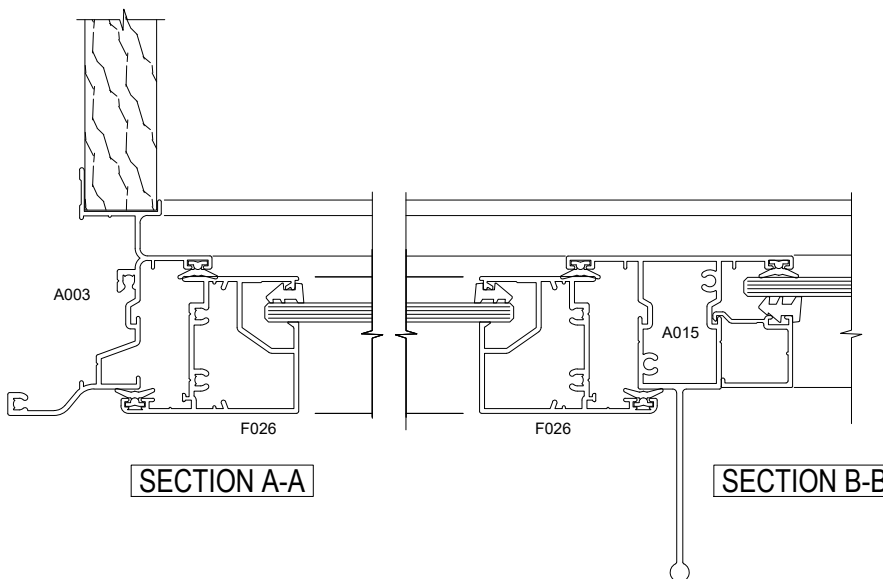
SECTION B-B



SECTION B-B



SECTION C-C



SECTION A-A

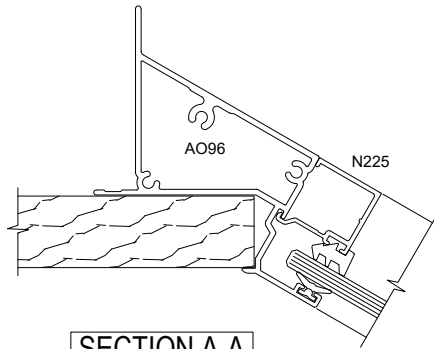
SECTION B-B

AWNING / CASEMENT WINDOW

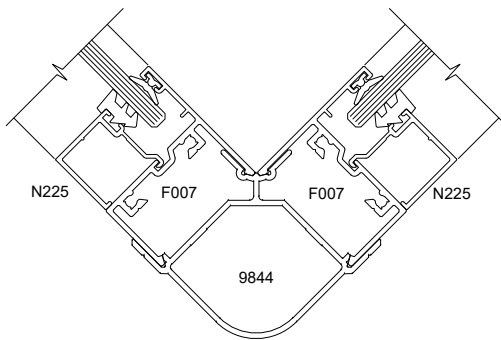
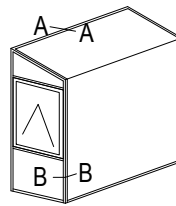
FAIRVIEW SYSTEMS LIMITED SPECIFIERS GUIDE 2014 © TECHNICAL SPECIFICATIONS & PROFILE DETAILS SUBJECT TO CHANGE WITHOUT NOTICE

CLASSIC RESIDENTIAL 35 - COMPLETE SUITE

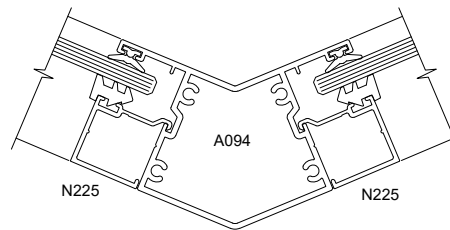
DATE 20.12.2017	SCALE 1:2
REF. CR35.1002	



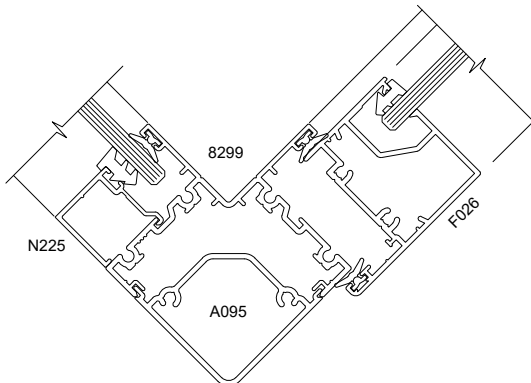
SECTION A-A



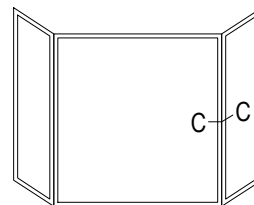
SECTION B-B



SECTION C-C



SECTION B-B

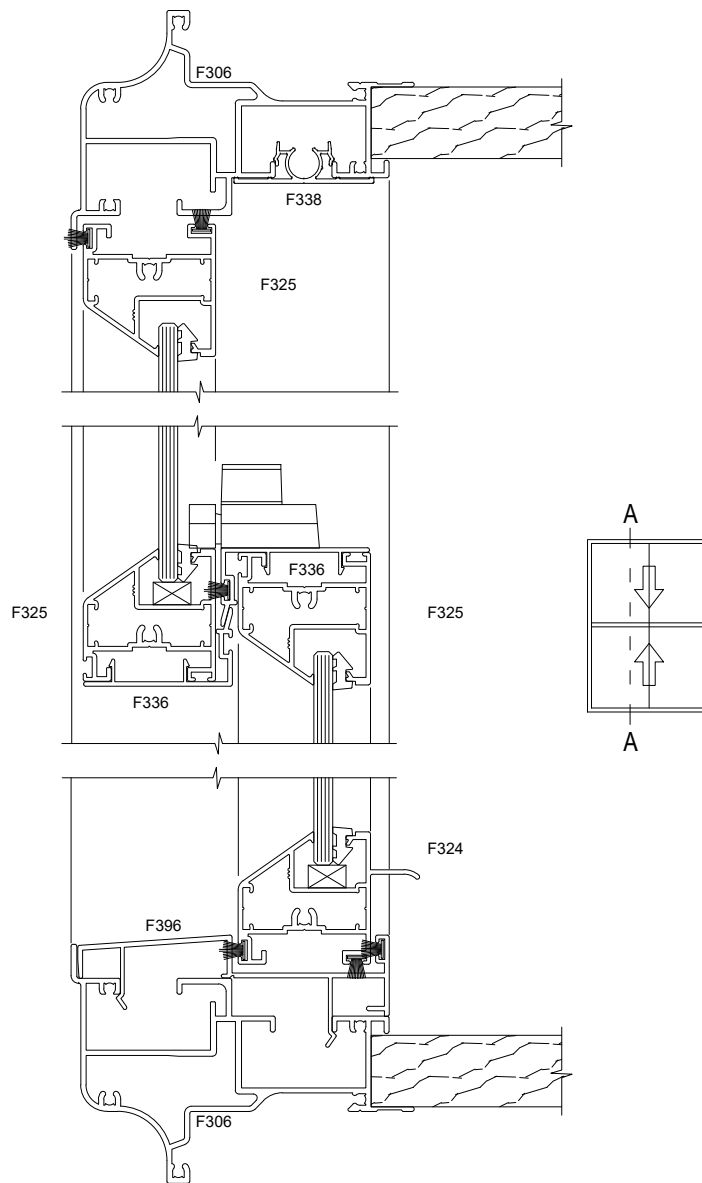


BOX & BAY WINDOW

FAIRVIEW SYSTEMS LIMITED SPECIFIERS GUIDE 2014 © TECHNICAL SPECIFICATIONS & PROFILE DETAILS SUBJECT TO CHANGE WITHOUT NOTICE

CLASSIC RESIDENTIAL 35 - COMPLETE SUITE

DATE 20.12.2017	SCALE 1:2
REF. CR35.1003	



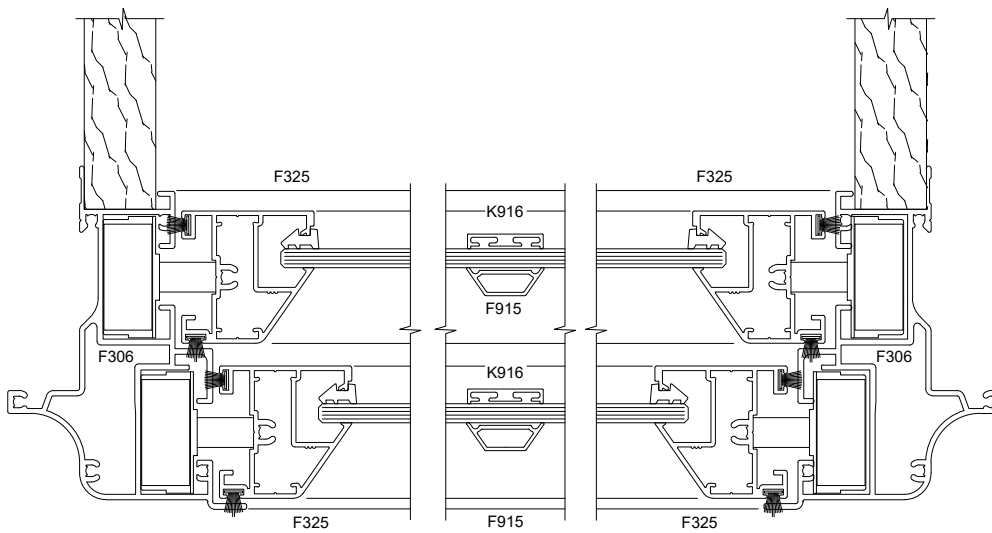
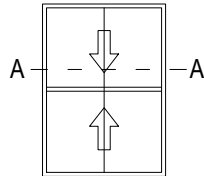
SECTION A-A

DOUBLE HUNG WINDOW

FAIRVIEW SYSTEMS LIMITED SPECIFIERS GUIDE 2014 © TECHNICAL SPECIFICATIONS & PROFILE DETAILS SUBJECT TO CHANGE WITHOUT NOTICE

CLASSIC RESIDENTIAL 35 - COMPLETE SUITE

DATE 20.12.2017	SCALE 1:2
REF. CR35.1011	



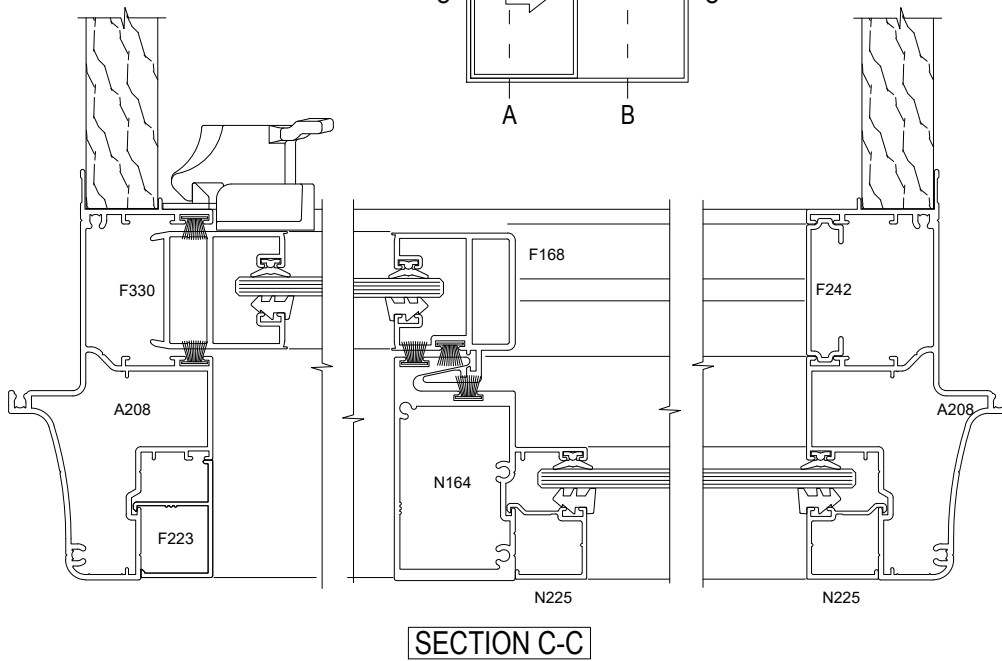
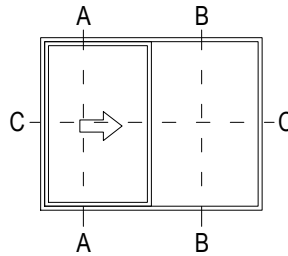
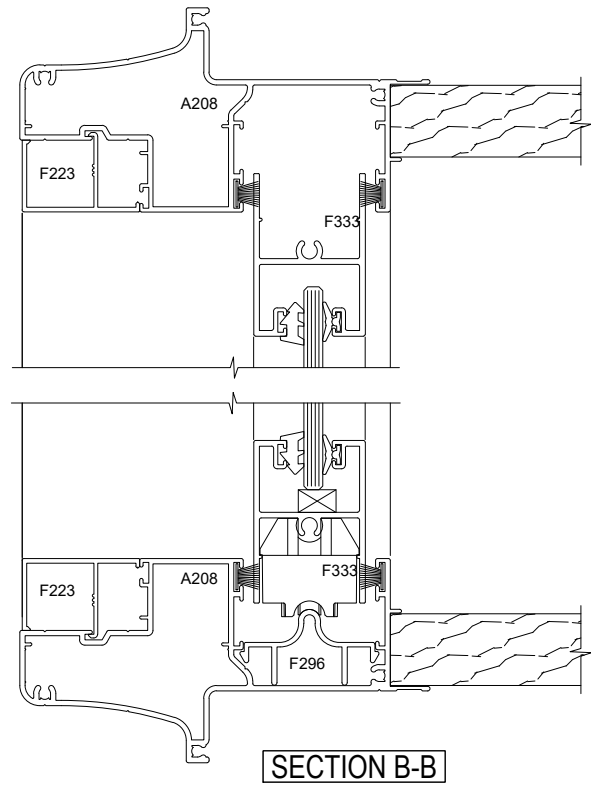
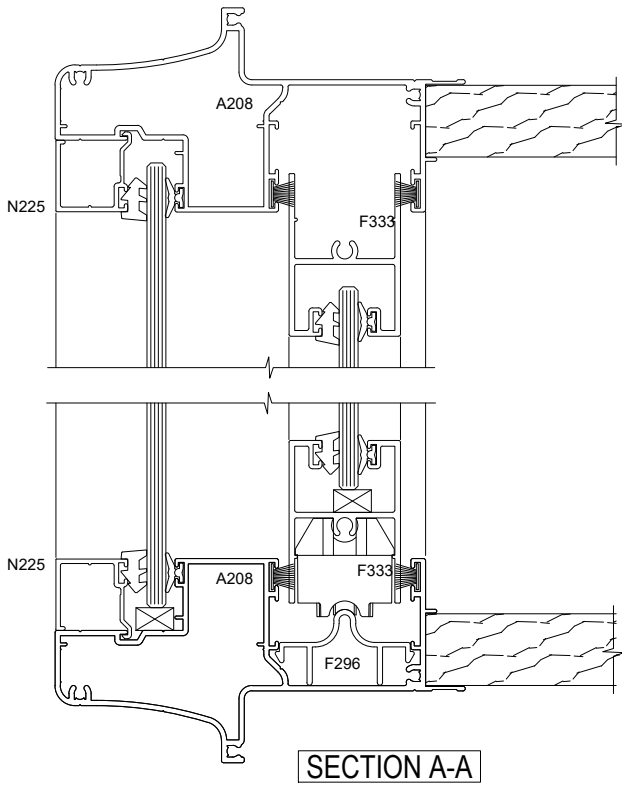
SECTION A-A

DOUBLE HUNG WINDOW

FAIRVIEW SYSTEMS LIMITED SPECIFIERS GUIDE 2014 © TECHNICAL SPECIFICATIONS & PROFILE DETAILS SUBJECT TO CHANGE WITHOUT NOTICE

CLASSIC RESIDENTIAL 35 - COMPLETE SUITE

DATE 20.12.2017	SCALE 1:2
REF. CR35.1012	

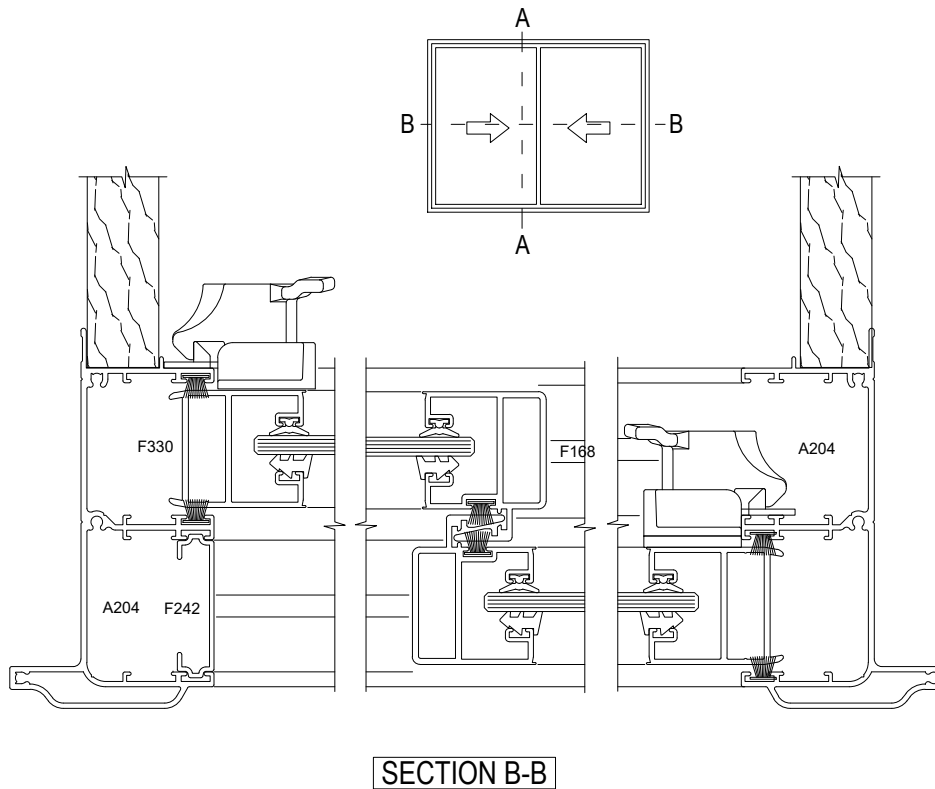
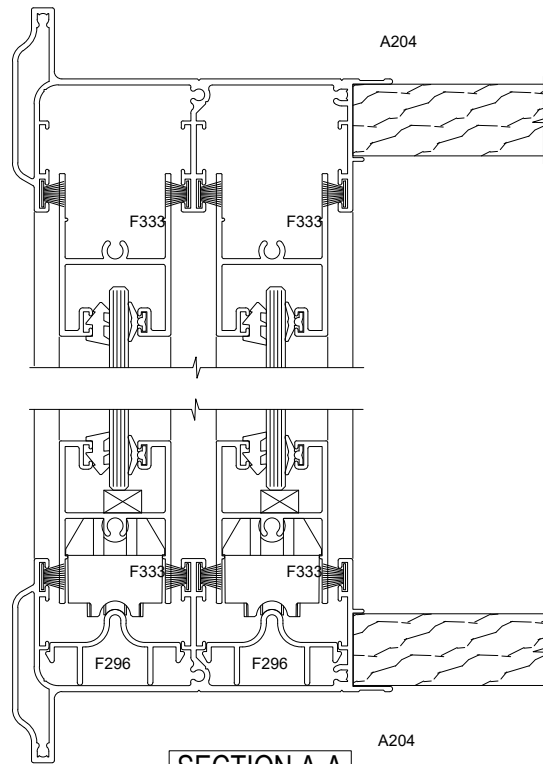


SLIDING WINDOW

FAIRVIEW SYSTEMS LIMITED SPECIFIERS GUIDE 2014 © TECHNICAL SPECIFICATIONS & PROFILE DETAILS SUBJECT TO CHANGE WITHOUT NOTICE

CLASSIC RESIDENTIAL 35 - COMPLETE SUITE

DATE 20.12.2017	SCALE 1:2
REF. CR35.1021	

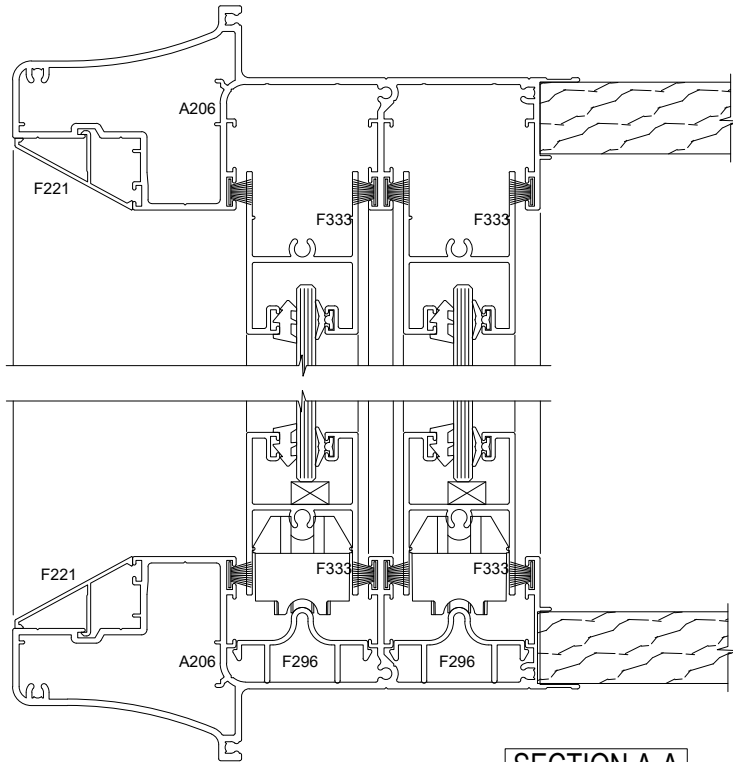


SLIDING WINDOW

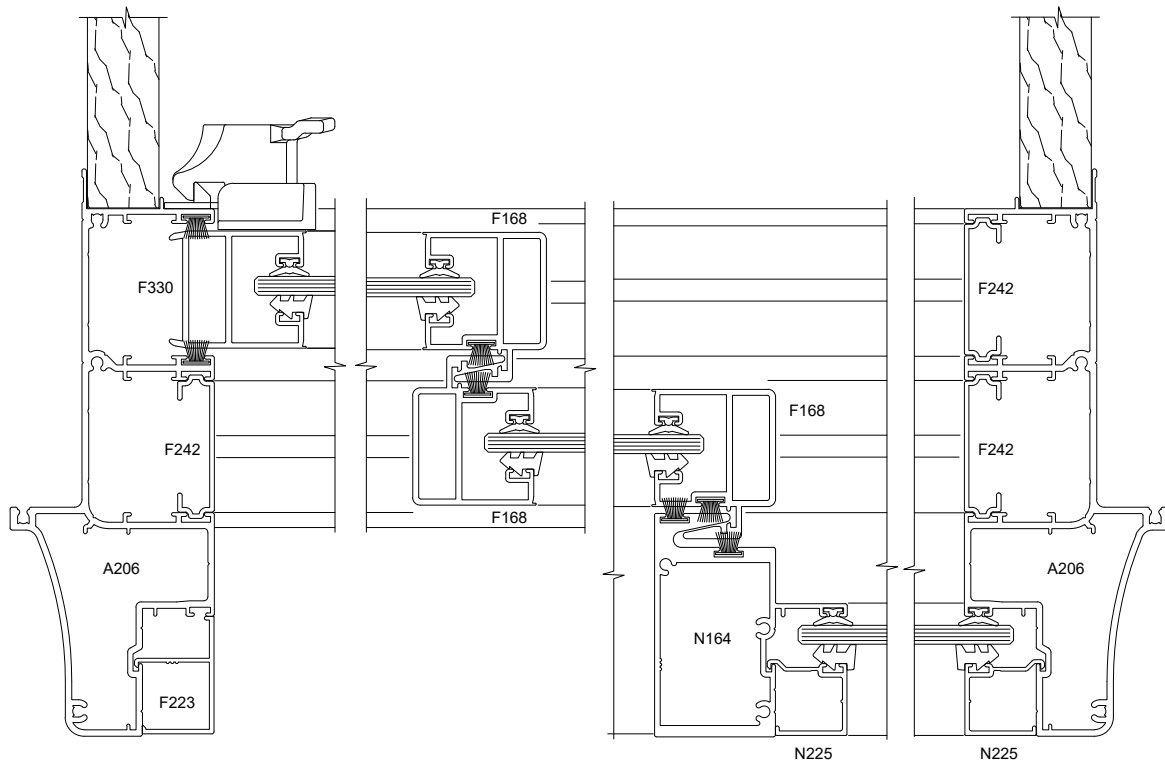
FAIRVIEW SYSTEMS LIMITED SPECIFIERS GUIDE 2014 © TECHNICAL SPECIFICATIONS & PROFILE DETAILS SUBJECT TO CHANGE WITHOUT NOTICE

CLASSIC RESIDENTIAL 35 - COMPLETE SUITE

DATE 20.12.2017	SCALE 1:2
REF. CR35.1022	



SECTION A-A



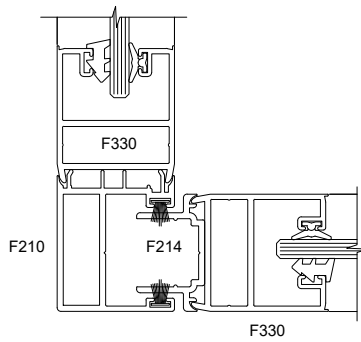
SECTION B-B

SLIDING WINDOW

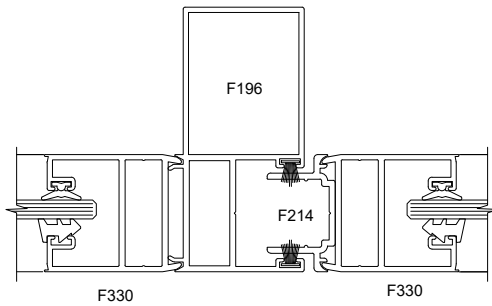
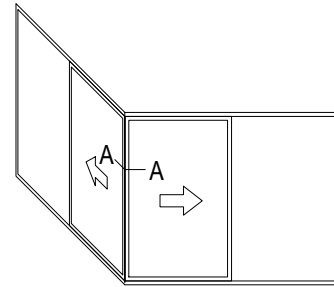
FAIRVIEW SYSTEMS LIMITED SPECIFIERS GUIDE 2014 © TECHNICAL SPECIFICATIONS & PROFILE DETAILS SUBJECT TO CHANGE WITHOUT NOTICE

CLASSIC RESIDENTIAL 35 - COMPLETE SUITE

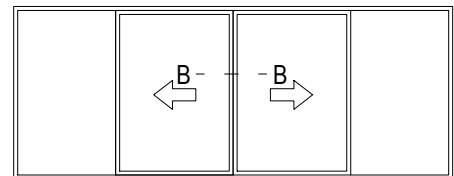
DATE 20.12.2017	SCALE 1:2
REF. CR35.1023	



SECTION A-A



SECTION B-B

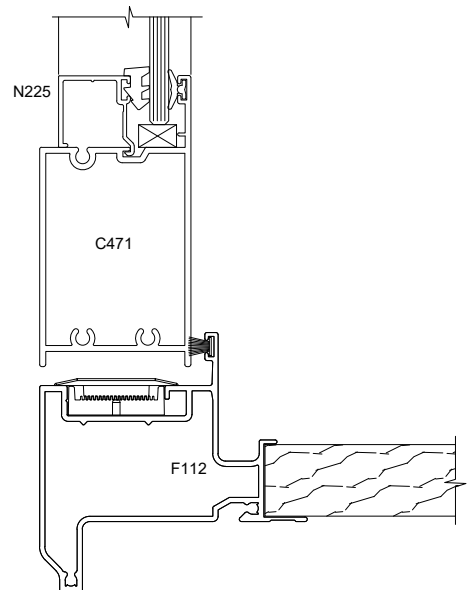
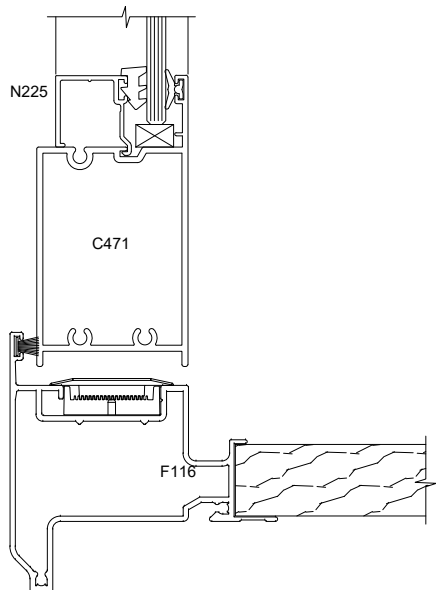
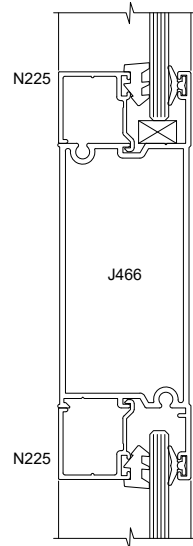
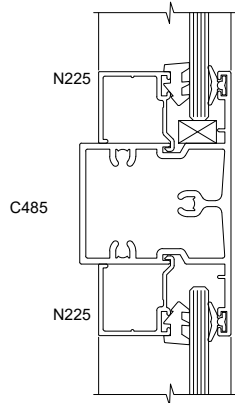
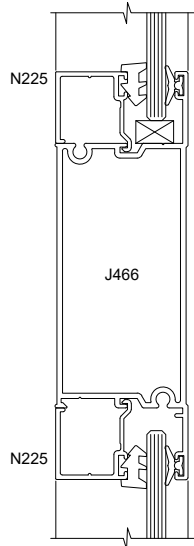
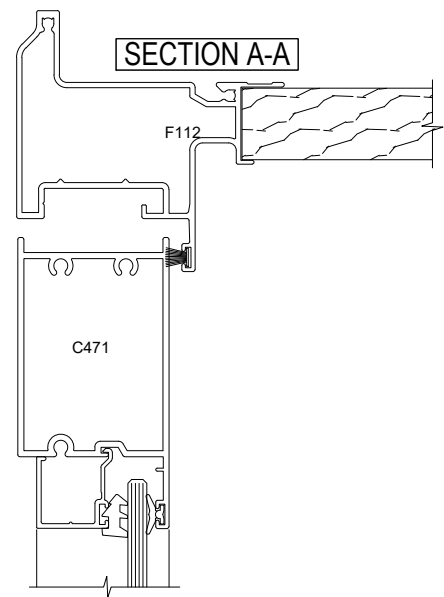
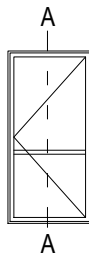
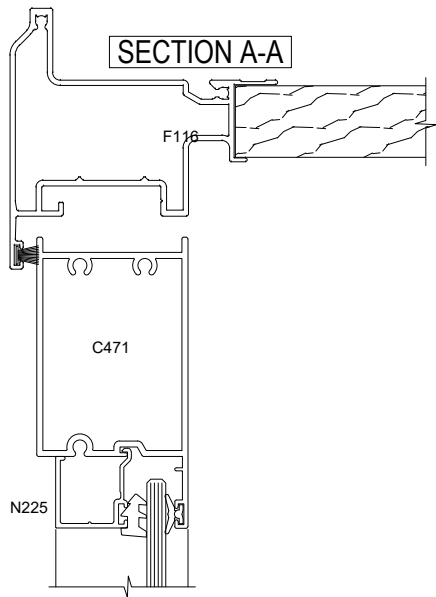


SLIDING WINDOW

FAIRVIEW SYSTEMS LIMITED SPECIFIERS GUIDE 2014 © TECHNICAL SPECIFICATIONS & PROFILE DETAILS SUBJECT TO CHANGE WITHOUT NOTICE

CLASSIC RESIDENTIAL 35 - COMPLETE SUITE

DATE 20.12.2017	SCALE 1:2
REF. CR35.1024	

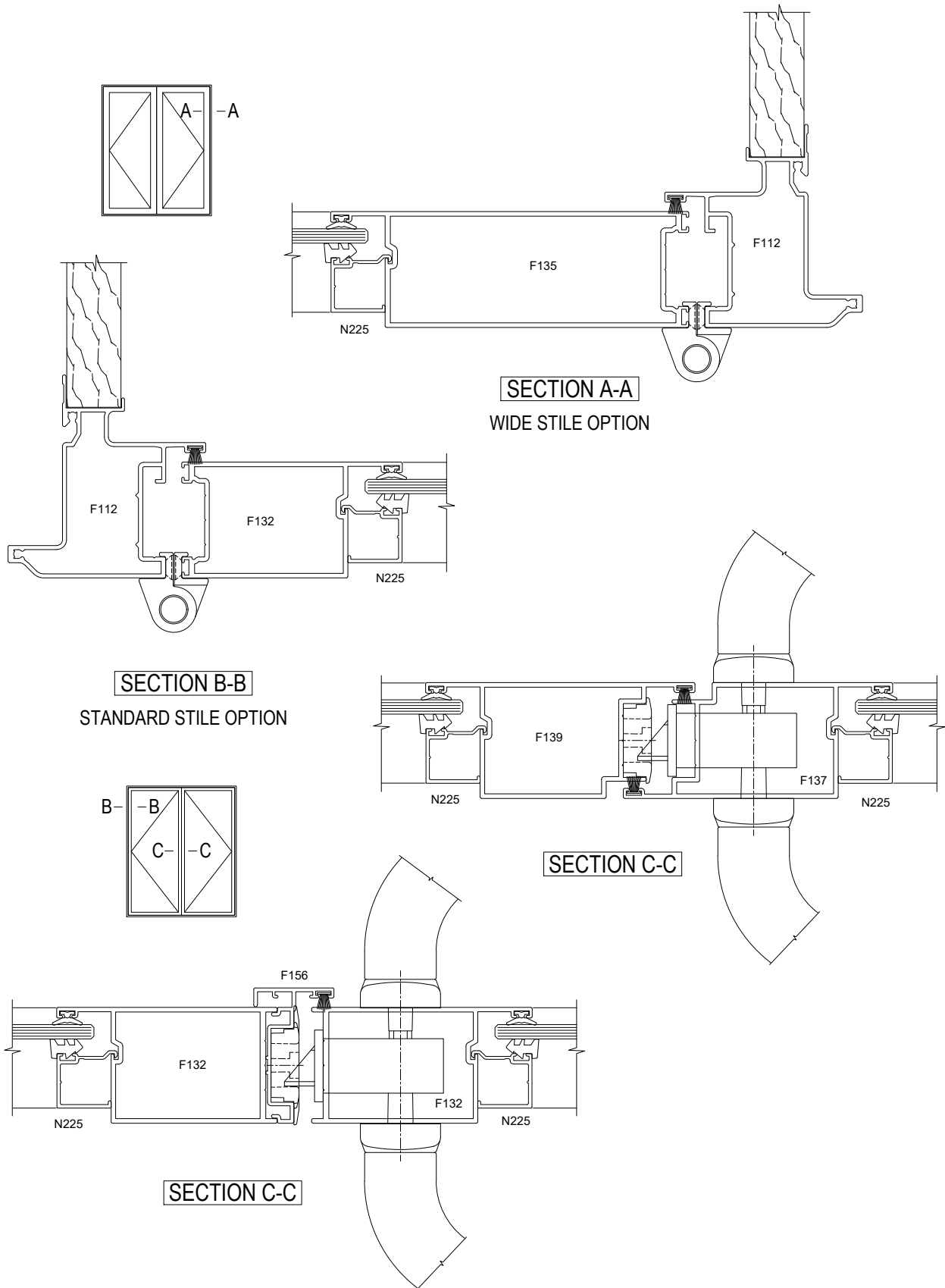


HINGED DOOR

FAIRVIEW SYSTEMS LIMITED SPECIFIERS GUIDE 2014 © TECHNICAL SPECIFICATIONS & PROFILE DETAILS SUBJECT TO CHANGE WITHOUT NOTICE

CLASSIC RESIDENTIAL 35 - COMPLETE SUITE

DATE 20.12.2017	SCALE 1:2
REF. CR35.1031	

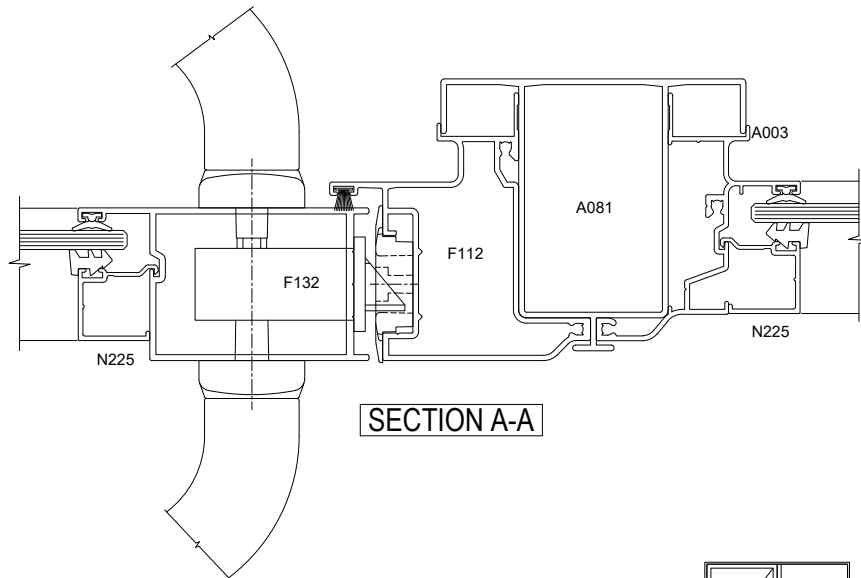


HINGED DOOR

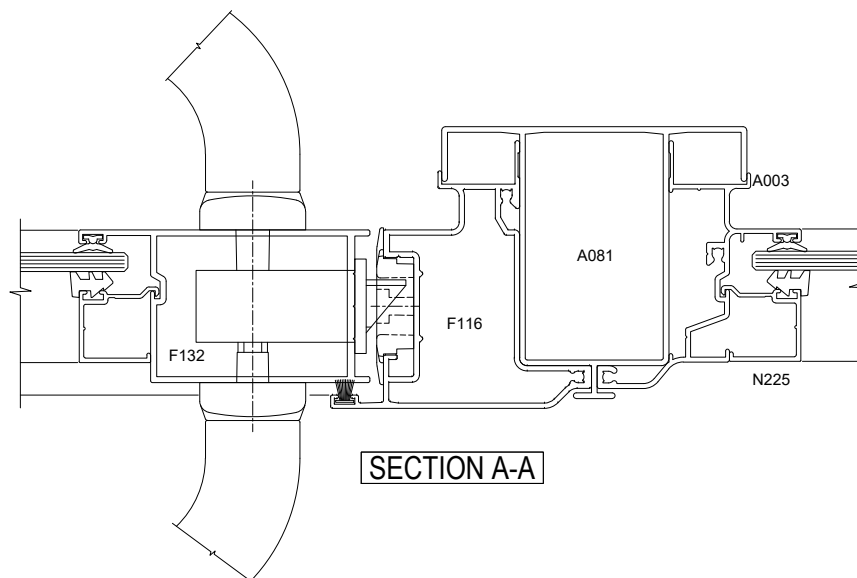
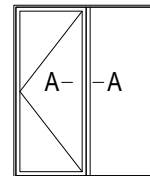
FAIRVIEW SYSTEMS LIMITED SPECIFIERS GUIDE 2014 © TECHNICAL SPECIFICATIONS & PROFILE DETAILS SUBJECT TO CHANGE WITHOUT NOTICE

CLASSIC RESIDENTIAL 35 - COMPLETE SUITE

DATE 20.12.2017	SCALE 1:2
REF. CR35.1032	



SECTION A-A



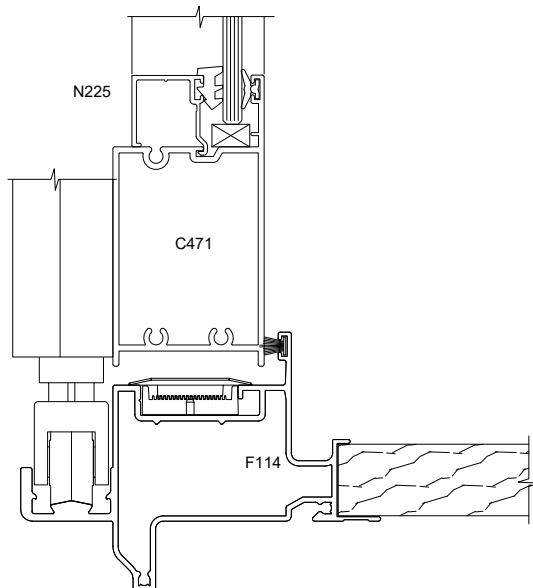
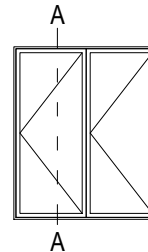
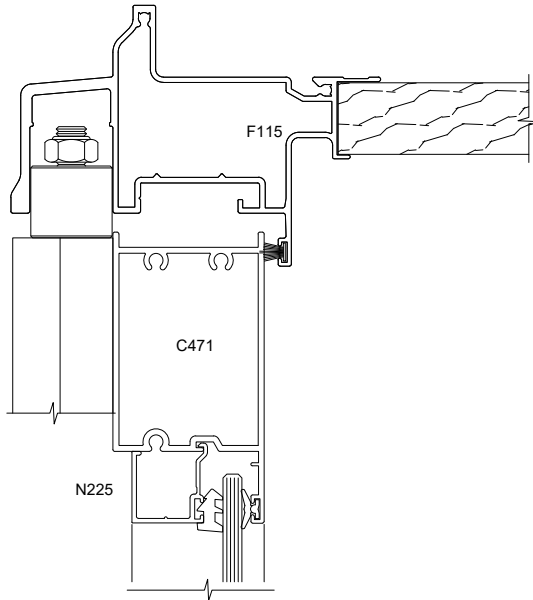
SECTION A-A

HINGED DOOR

FAIRVIEW SYSTEMS LIMITED SPECIFIERS GUIDE 2014 © TECHNICAL SPECIFICATIONS & PROFILE DETAILS SUBJECT TO CHANGE WITHOUT NOTICE

CLASSIC RESIDENTIAL 35 - COMPLETE SUITE

DATE 20.12.2017	SCALE 1:2
REF. CR35.1033	



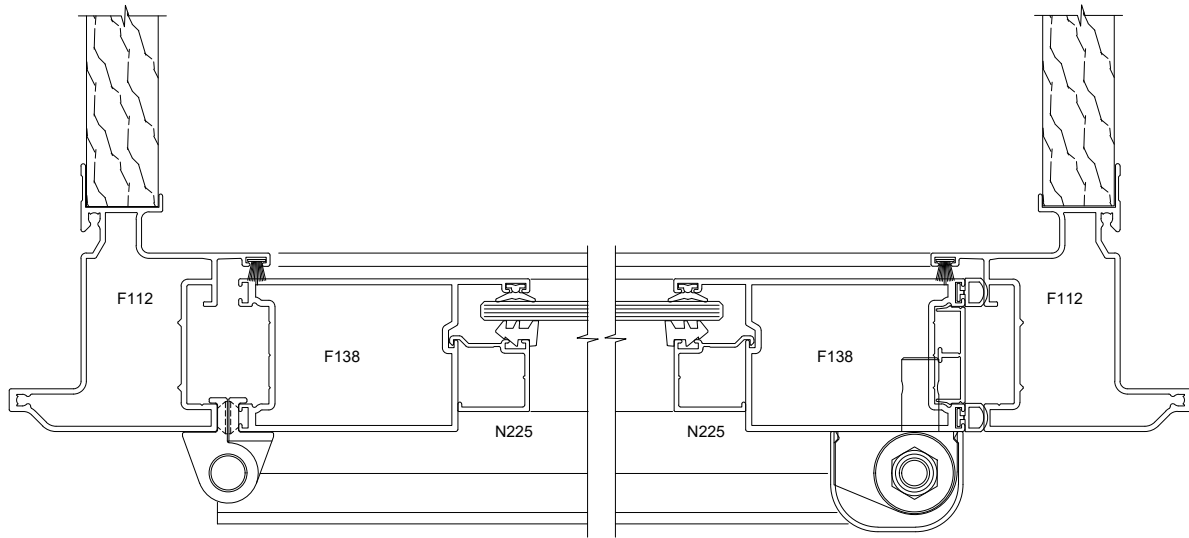
SECTION A-A

BOTTOM ROLLING BI-FOLD DOOR

FAIRVIEW SYSTEMS LIMITED SPECIFIERS GUIDE 2014 © TECHNICAL SPECIFICATIONS & PROFILE DETAILS SUBJECT TO CHANGE WITHOUT NOTICE

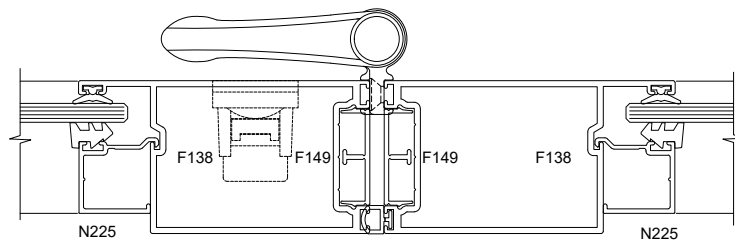
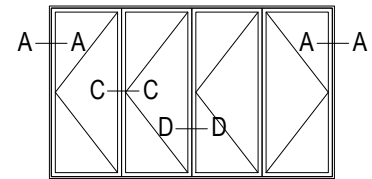
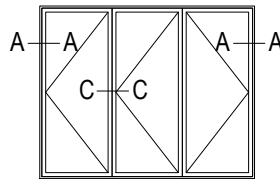
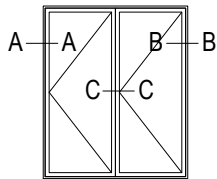
CLASSIC RESIDENTIAL 35 - COMPLETE SUITE

DATE 20.12.2017	SCALE 1:2
REF. CR35.1041	

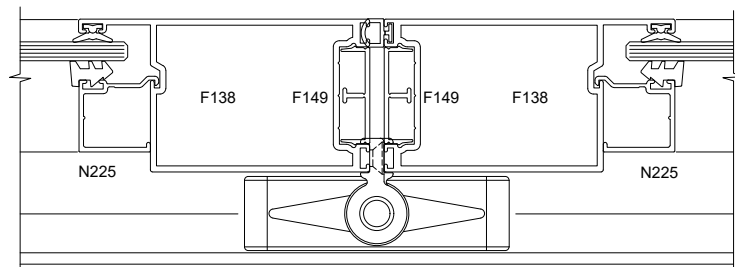


SECTION A-A

SECTION B-B



SECTION C-C



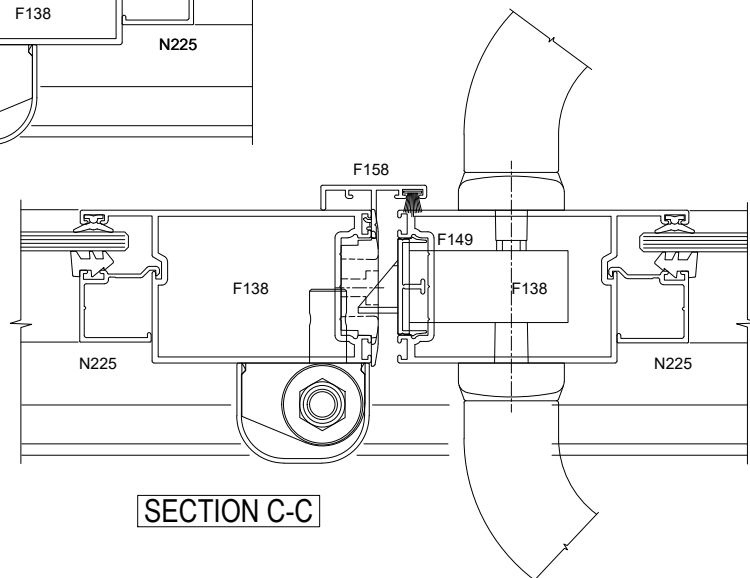
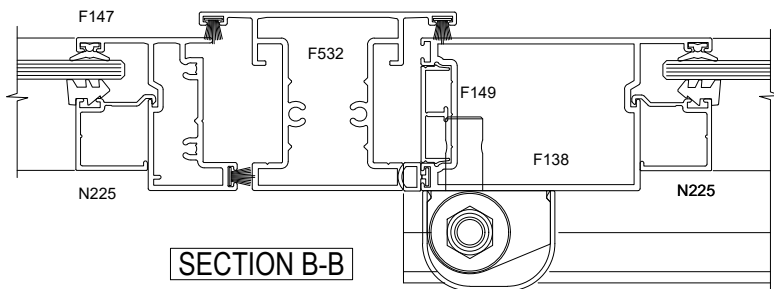
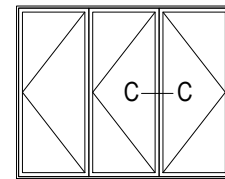
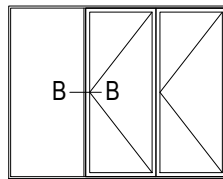
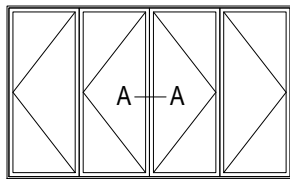
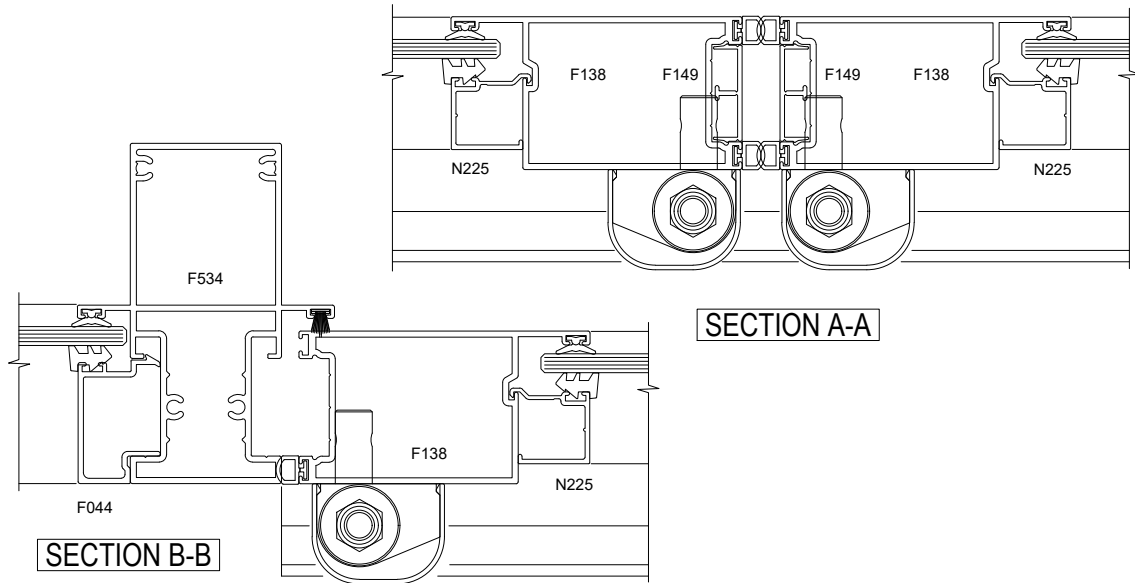
SECTION D-D

BOTTOM ROLLING BI-FOLD DOOR

FAIRVIEW SYSTEMS LIMITED SPECIFIERS GUIDE 2014 © TECHNICAL SPECIFICATIONS & PROFILE DETAILS SUBJECT TO CHANGE WITHOUT NOTICE

CLASSIC RESIDENTIAL 35 - COMPLETE SUITE

DATE 20.12.2017	SCALE 1:2
REF. CR35.1042	

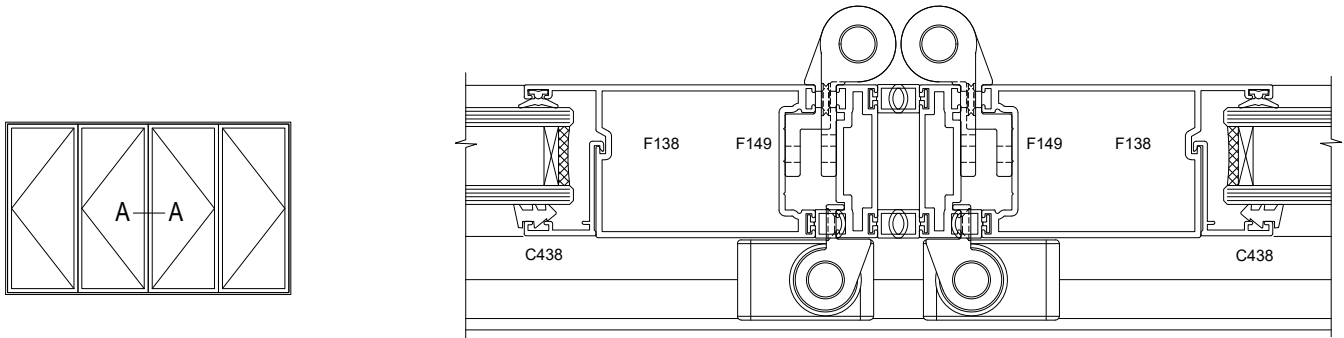


BOTTOM ROLLING BI-FOLD DOOR

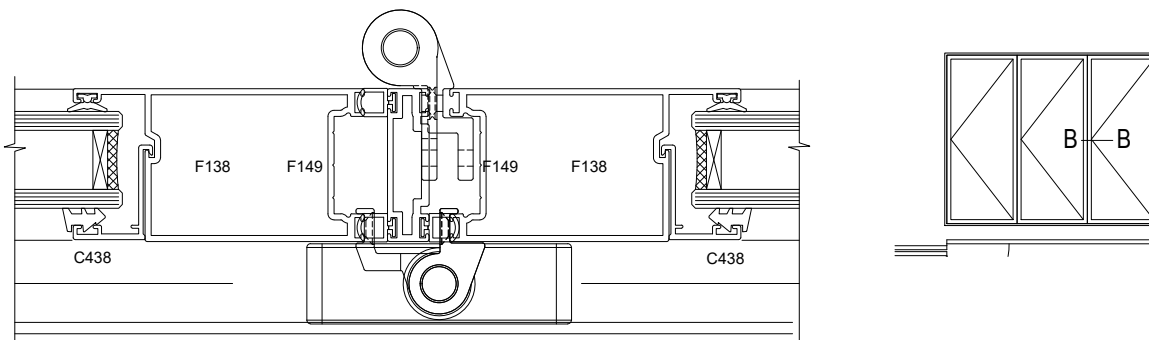
FAIRVIEW SYSTEMS LIMITED SPECIFIERS GUIDE 2014 © TECHNICAL SPECIFICATIONS & PROFILE DETAILS SUBJECT TO CHANGE WITHOUT NOTICE

CLASSIC RESIDENTIAL 35 - COMPLETE SUITE

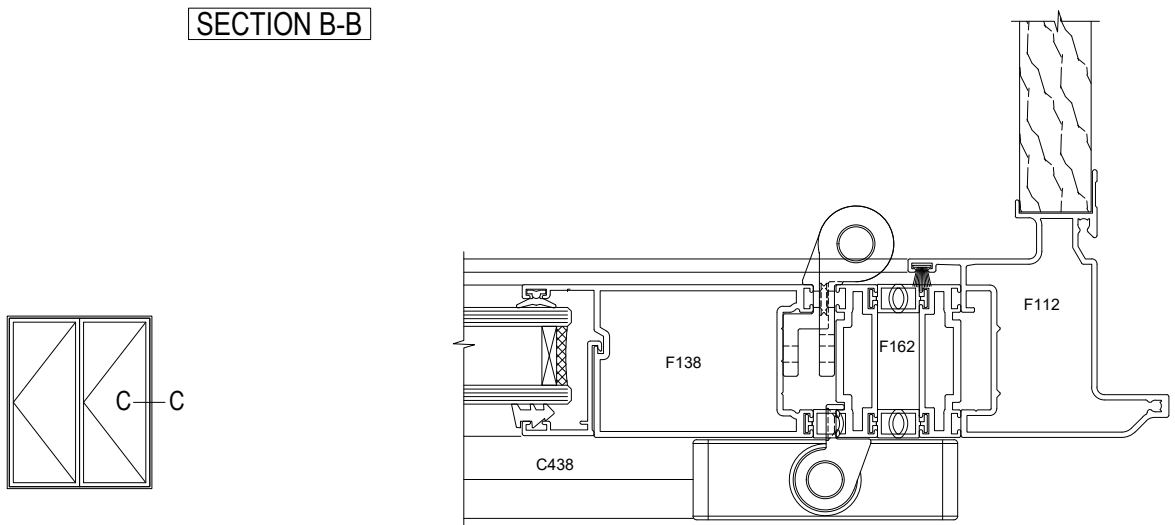
DATE 20.12.2017	SCALE 1:2
REF. CR35.1043	



SECTION A-A



SECTION B-B



SECTION C-C

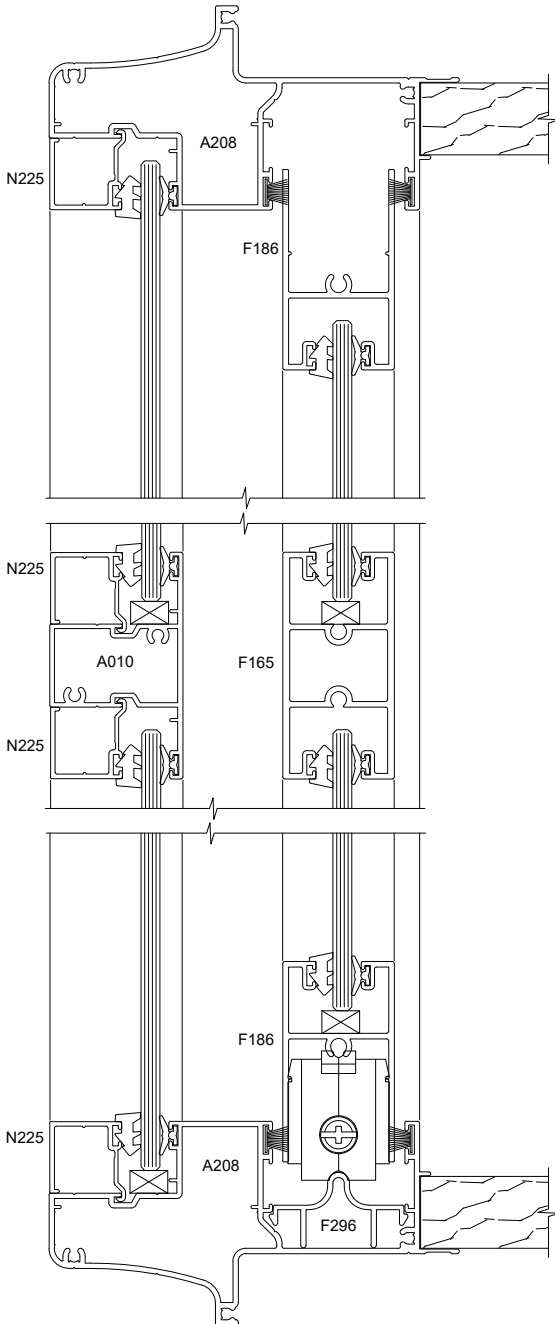
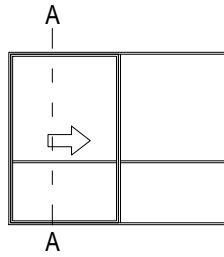
FREEFOLD

BOTTOM ROLLING BI-FOLD DOOR

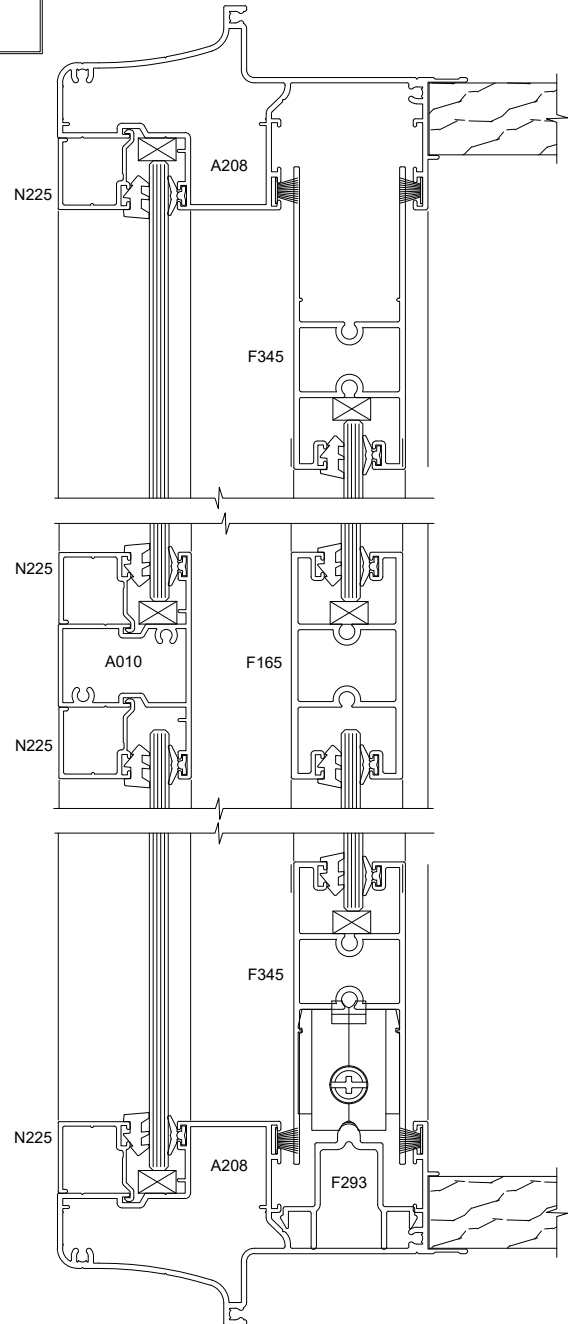
FAIRVIEW SYSTEMS LIMITED SPECIFIERS GUIDE 2014 © TECHNICAL SPECIFICATIONS & PROFILE DETAILS SUBJECT TO CHANGE WITHOUT NOTICE

CLASSIC RESIDENTIAL 35 - COMPLETE SUITE

DATE 20.12.2017	SCALE 1:2
REF. CR35.1044	



SECTION A-A
STANDARD TRACK SILL



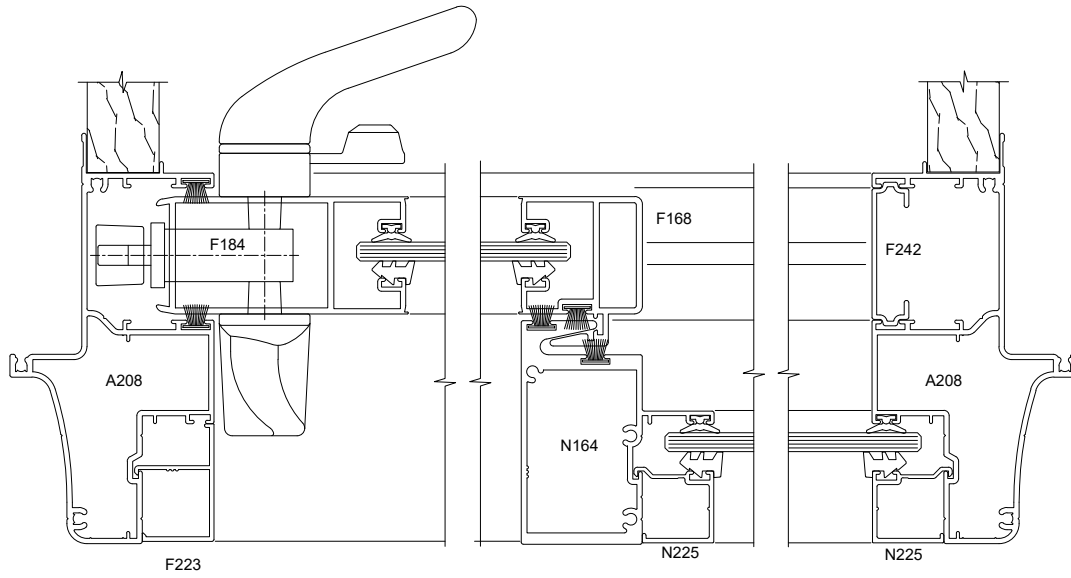
SECTION A-A
FLUSH TRACK SILL

SLIDING DOOR

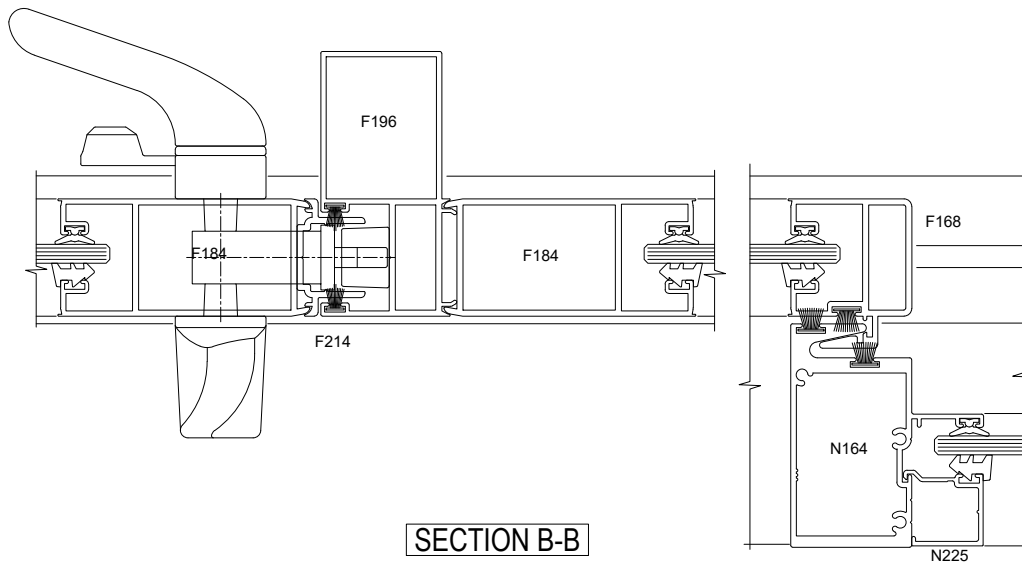
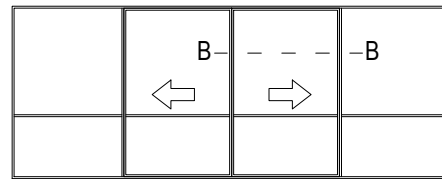
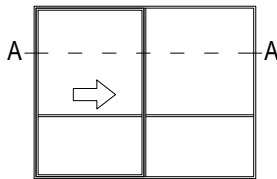
FAIRVIEW SYSTEMS LIMITED SPECIFIERS GUIDE 2014 © TECHNICAL SPECIFICATIONS & PROFILE DETAILS SUBJECT TO CHANGE WITHOUT NOTICE

CLASSIC RESIDENTIAL 35 - COMPLETE SUITE

DATE 20.12.2017	SCALE 1:2
REF. CR35.1051	



SECTION A-A



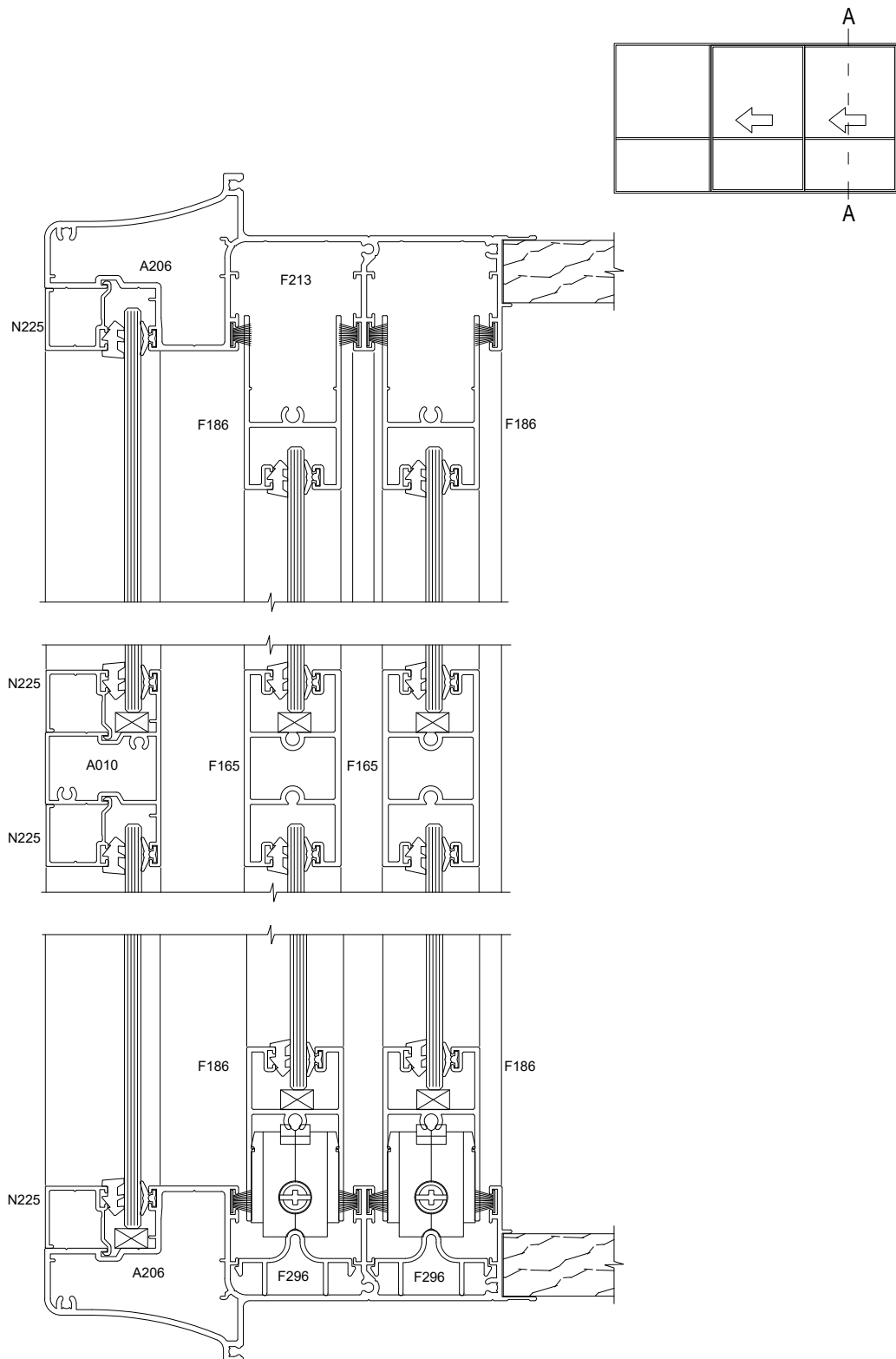
SECTION B-B

SLIDING DOOR

FAIRVIEW SYSTEMS LIMITED SPECIFIERS GUIDE 2014 © TECHNICAL SPECIFICATIONS & PROFILE DETAILS SUBJECT TO CHANGE WITHOUT NOTICE

CLASSIC RESIDENTIAL 35 - COMPLETE SUITE

DATE 20.12.2017	SCALE 1:2
REF. CR35.1052	



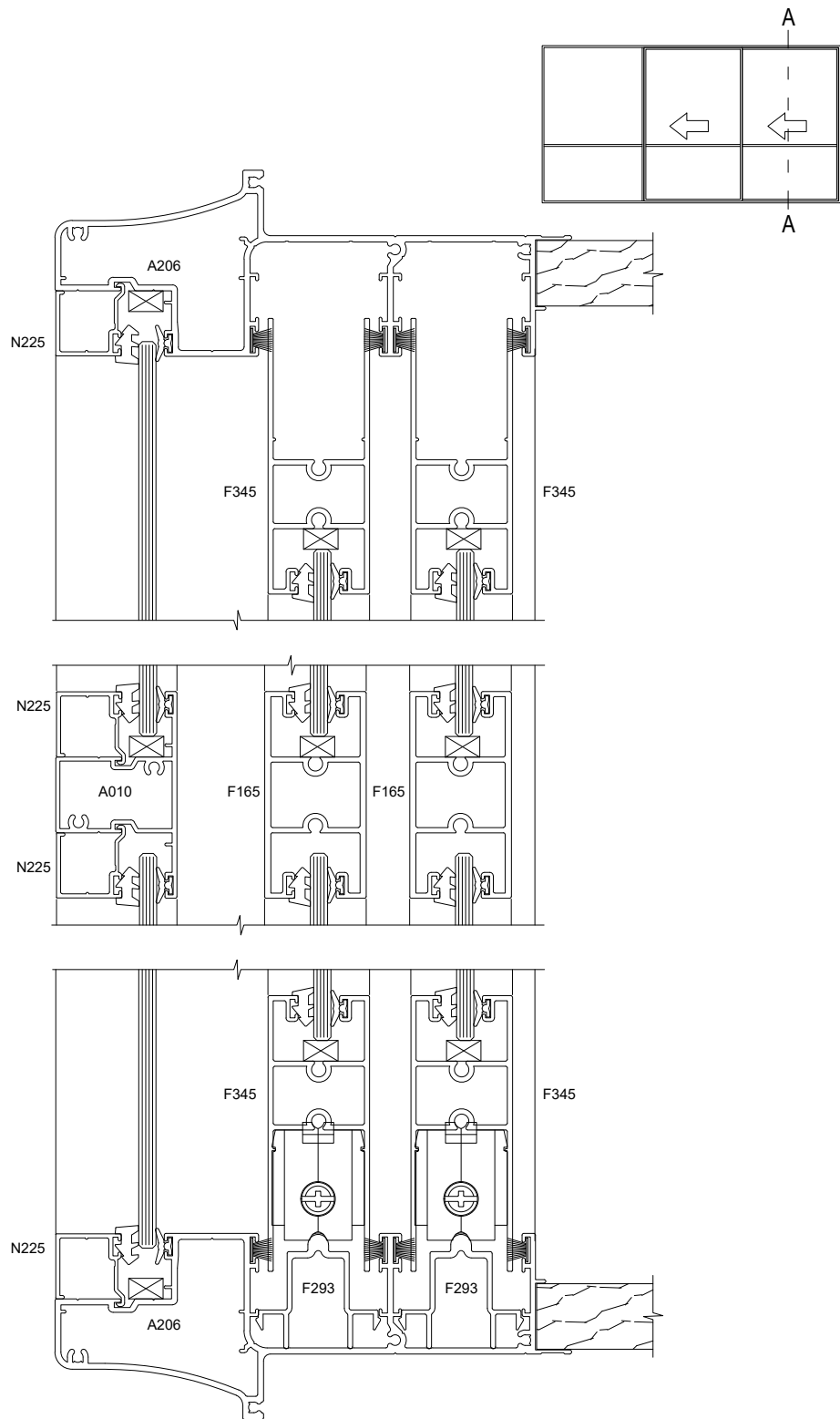
SECTION A-A

**STANDARD TRACK SILL
STACKING DOOR**

FAIRVIEW SYSTEMS LIMITED SPECIFIERS GUIDE 2014 © TECHNICAL SPECIFICATIONS & PROFILE DETAILS SUBJECT TO CHANGE WITHOUT NOTICE

CLASSIC RESIDENTIAL 35 - COMPLETE SUITE

DATE 20.12.2017	SCALE 1:2
REF. CR35.1061	

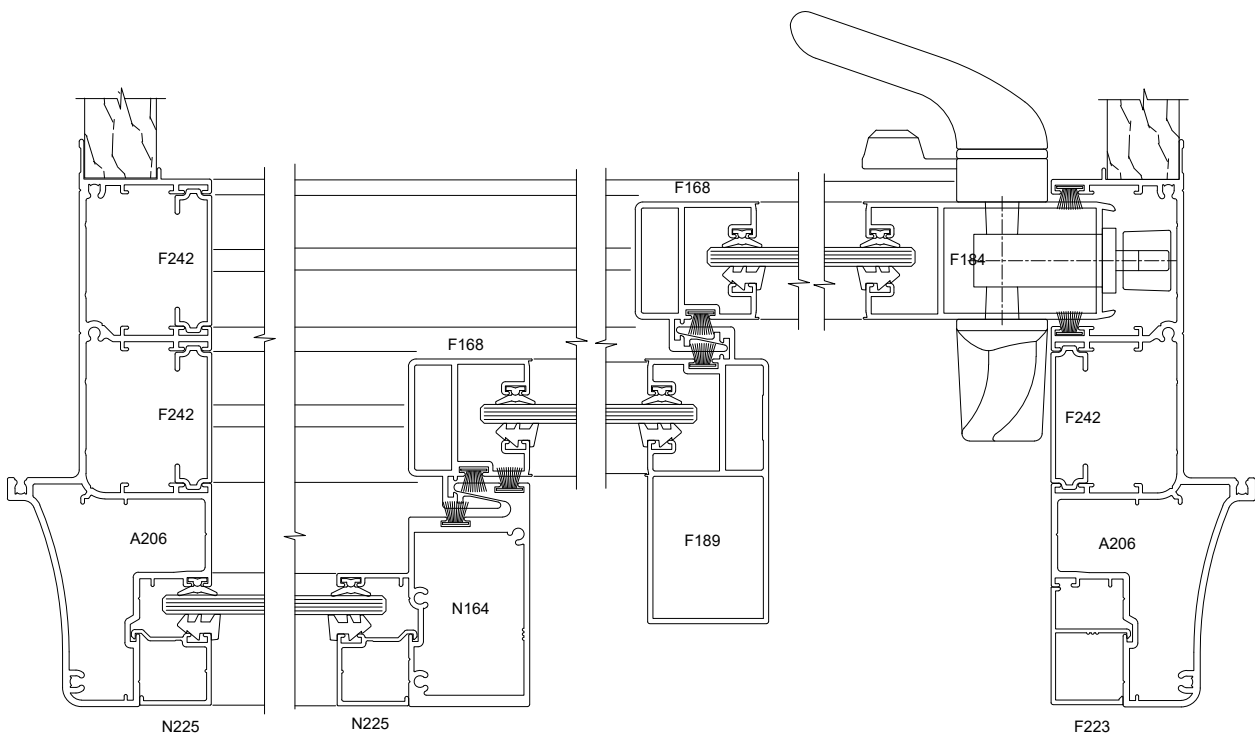
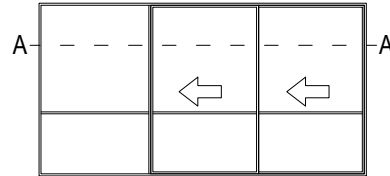


SECTION A-A
FLUSH TRACK SILL
STACKING DOOR

FAIRVIEW SYSTEMS LIMITED SPECIFIERS GUIDE 2014 © TECHNICAL SPECIFICATIONS & PROFILE DETAILS SUBJECT TO CHANGE WITHOUT NOTICE

CLASSIC RESIDENTIAL 35 - COMPLETE SUITE

DATE 20.12.2017	SCALE 1:2
REF. CR35.1062	



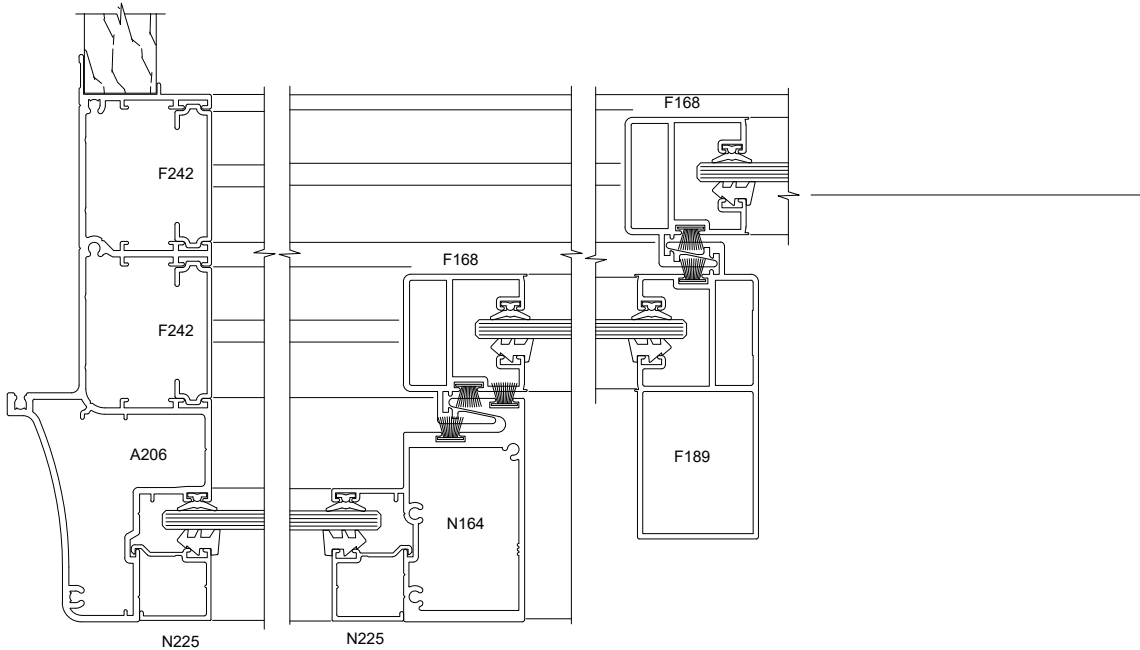
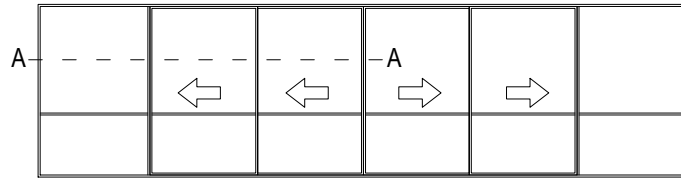
SECTION A-A

STACKING DOOR

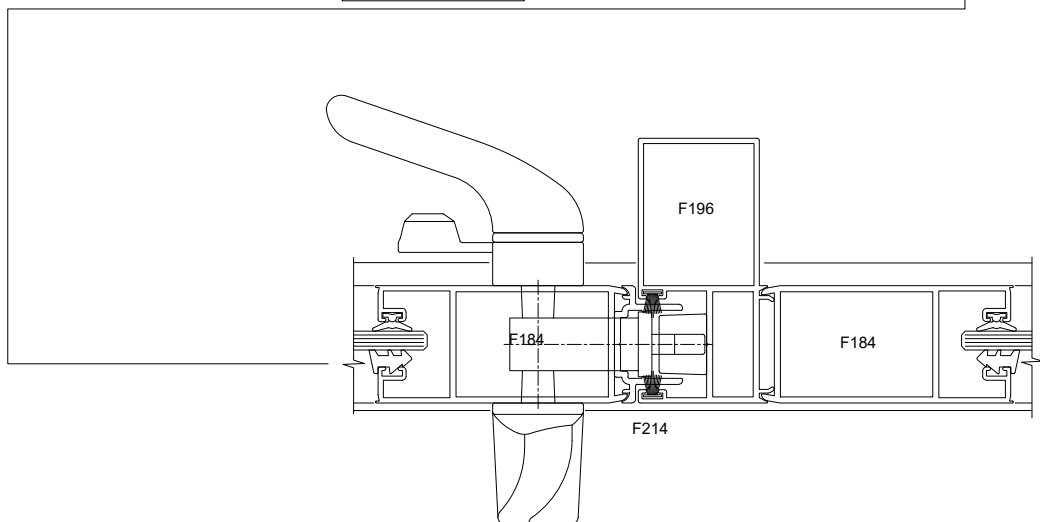
FAIRVIEW SYSTEMS LIMITED SPECIFIERS GUIDE 2014 © TECHNICAL SPECIFICATIONS & PROFILE DETAILS SUBJECT TO CHANGE WITHOUT NOTICE

CLASSIC RESIDENTIAL 35 - COMPLETE SUITE

DATE 20.12.2017	SCALE 1:2
REF. CR35.1063	



SECTION A-A



STACKING DOOR

FAIRVIEW SYSTEMS LIMITED SPECIFIERS GUIDE 2014 © TECHNICAL SPECIFICATIONS & PROFILE DETAILS SUBJECT TO CHANGE WITHOUT NOTICE

CLASSIC RESIDENTIAL 35 - COMPLETE SUITE

DATE 20.12.2017	SCALE 1:2
REF. CR35.1064	