



# Zenith Autoboil & Hydroboil Plus

On wall boiling water.

**Models:**

**Hydroboil Plus:** 3L, 5L, 7.5L

**Autoboil:** 3L, 5L, 7.5L, 15L, 25L, 40





## Contents

<b>IMPORTANT SAFETY INSTRUCTIONS .....</b>	<b>4</b>
<b>WARNINGS &amp; PRECAUTIONS .....</b>	<b>5</b>
<b>TECHNICAL SPECIFICATION .....</b>	<b>6</b>
<b>Step 1 – Positioning .....</b>	<b>7</b>
<b>Step 2 – Fastening .....</b>	<b>8</b>
<b>Step 3 – Plumbing connection.....</b>	<b>10</b>
<b>Step 4 – Electrical connection.....</b>	<b>11</b>
<b>Step 5 – Assembly .....</b>	<b>13</b>
<b>Step 6 – Commissioning .....</b>	<b>14</b>
<b>Step 7 – Tap operation.....</b>	<b>16</b>
<b>Screen operation .....</b>	<b>17</b>
<b>Maintenance .....</b>	<b>25</b>
<b>Troubleshooting.....</b>	<b>26</b>
<b>Cleaning .....</b>	<b>27</b>
<b>End of life disposal .....</b>	<b>27</b>

## IMPORTANT SAFETY INSTRUCTIONS



### **Safety**

This appliance can be used by children aged from 8 years and above and persons with reduced physical, sensory or mental capabilities or lack of experience and knowledge if they have been given supervision or instruction concerning use of the appliance in a safe way and understand the hazards involved. Children should be supervised to ensure that they do not play with the appliance. Cleaning and user maintenance shall not be made by children without supervision.

### **Qualifications**

If the power cable is damaged it must be replaced by a qualified technician. To avoid hazards, all installation procedures must be carried out by a suitably qualified tradesperson.

### **Venting**

Occasionally steam and / or boiling water may discharge through a vent outlet or the tap. Ensure the tap body is located so the tap outlet safely dispenses into the drip tray or sink bowl area, and the vent is plumbed to a safe location.

### **Lifting**

Take care when lifting. The appliance may exceed safe lifting limits. If you feel this is beyond your personal capabilities, please seek assistance with the lift. Do not lift the appliance by the tap or any of its connections. Refer to the Technical specification for the weight of the product.


### **Positioning**

Ensure the appliance is positioned in an accessible area. The appliance must be installed upright, with its base in a horizontal position.

### **Frost protection**

If the appliance is located where ambient air temperature could fall below 5°C when the appliance is not in use, do not turn it off electrically. This safeguard does not offer the same protection to the connecting pipework and fittings.

## WARNINGS & PRECAUTIONS

1. For continued safety of this appliance it must be installed, operated and maintained in accordance with the manufacturer's instructions.
2. This appliance may deliver water at high temperature. Refer to the Plumbing Code of Australia (PCA), local requirements and installation instructions to determine if additional delivery temperature control is required.
3. All plumbing and electrical connections must be made in accordance with local regulations and relevant standards. For Australia/NZ: electrical installation must comply with AS/NZS 3000. For Australia/NZ:, plumbing installation must comply with Plumbing standard AS/NZS 3500. UK: the system must be installed in accordance with water supply byelaws, current IEEE regulations and local authority byelaws.
4. All installation and service work must be completed by trained and suitably qualified tradespeople. Faulty operation due to unqualified persons working on the product may void warranty coverage.
5.  This appliance must be earthed. The resistance of the earth connection from each exposed metal part must be less than 1 ohm.
6. The power cord and general power outlet must be in a safe and accessible position after installation.
7. Any disconnection to the fixed wiring must be in accordance with local regulations and relevant standards including AS/NZS 3000.
8. Do not remove the cover of the appliance under any circumstances without first isolating the appliance from the power supply.
9. The cold water supply to this appliance must be potable and fall within your local authority guidelines.
10. The installer is responsible to supply and install all valves as required by local regulations and relevant standards.
11. In hard water areas where mineral scale accumulation may become a problem, consideration should be given to the maintenance required. A suitable form of water treatment may be necessary.
12. This appliance is designed for indoor use and must not be installed outdoors or exposed to the elements of nature.
13. This appliance must operate within ambient temperatures of 5°C - 50°C.
14. Do not clean this appliance with a water jet. Do not position this appliance in an area that may be cleaned by a water jet.
15. This appliance is not intended for use by young children or infirm people without supervision. Young children should be prevented from having access to ensure that they are not able to use or play with the appliance.
16. This appliance is intended to be used in: staff kitchen areas in shops, offices and other working environments; farm houses and by clients in hotels, motels and other residential type environments; bed and breakfast type environments; catering and similar non-retail applications.
17. Due to the process of continuous improvement, the manufacturer reserves the right to change details mentioned in this manual, without notice. Visit the website of the manufacturer/distributor to ensure you have the latest copy of this document.

## TECHNICAL SPECIFICATION

Tank size (litres)	Heat up time (Inlet 15°C)	Heat up time (Inlet 10°C)	Rated voltage and power	Dimensions W x D x H (mm)*	Filled weight (kg)
3.0	16mins	17mins	220-240V, 50Hz, 1500W (AU/NZ)	300 x 183 x 439	12
			220-240V, 50Hz, 1400W (non-AU/NZ)		
			220V, 60Hz, 1250W		
5.0	16mins	17mins	220-240V, 50Hz, 2200W	329 x 201 x 473	15
7.5	23mins	23mins	220V, 60Hz, 2000W	329 x 201 x 586	20
15.0	40mins	43mins	220-240V, 50Hz, 2400W	401 x 301 x 606	33
25.0	47mins	50mins		401 x 301 x 786	47
40.0	60mins	64mins	220V, 50Hz, 6000W 415V, 50Hz, 6000W	526 x 286 x 847	70

\* add 28mm to Depth for Fascia (Hydroboil Plus)  
add 98mm to Depth for Tap and Fascia (Autoboil)

### Before installation, ensure that:

- All technical specifications and instructions have been reviewed and understood.
- The mounting wall can support the product weight when full of water. See Technical specifications.
- Sufficient space is provided to install the appliance and other components in accordance with these installation instructions. Check cable and plumbing against inlet /outlet positions before proceeding.
- An easily accessible socket and double pole isolation switch (correctly rated for the appliance) is required. For models rated below 3kW: 220-240V AC 50-60Hz; for models rated above 3kW: 380-415V AC mains power.
- The appliance must be connected to a potable water supply with working pressure of: AU/ NZ 150 - 700 kPa (1.5 - 7.0 bar).
- The appliance must be connected with an isolating valve within reach of the hose and positioned so that the valve will not be obstructed.
- A 350 kPa (3.5 bar) pressure limiting valve (not supplied) must be fitted if the incoming mains water pressure is likely to exceed 500 kPa (5.0 bar)
- The appliance must be placed upright with its base in a horizontal position.



**IMPORTANT! Do not proceed with the installation if these requirements are not met.**

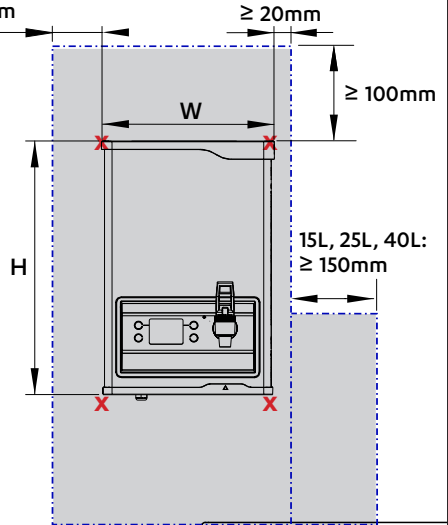
## Step 1 – Positioning

1.1

3L, 5L, 7.5L:  $\geq 65\text{mm}$   
15L, 25L, 40L:  $\geq 150\text{mm}$

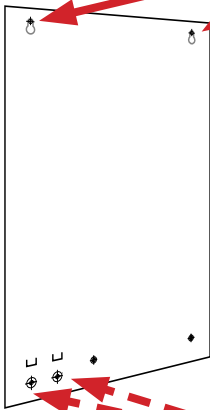
Mark corners of the appliance on the wall.

Observe clearance around the appliance for service access



1.2

Place supplied paper template on the wall. Drill holes as shown.



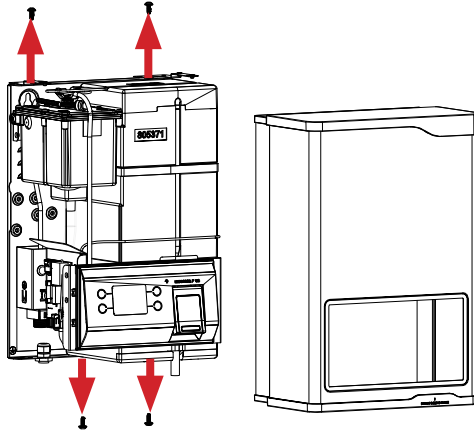
1.3

OPTION: Drill holes for concealed plumbing (water inlet, vent outlet) and electrical.

## Step 2 – Fastening

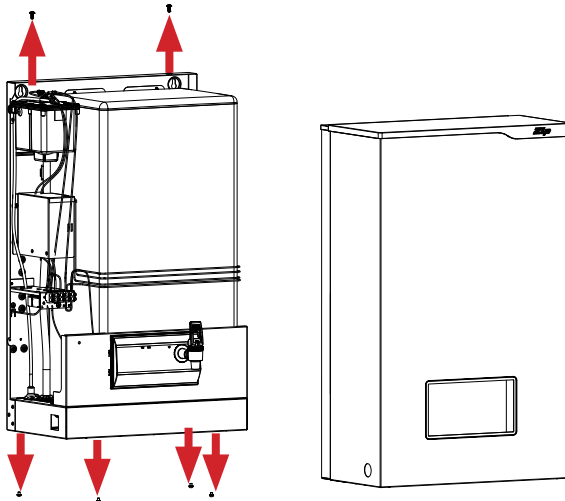
- 2.1** Remove 4 screws. Remove the cover.  
Use supplied screws to mount the appliance to the wall.

### 3 - 7.5 litre models



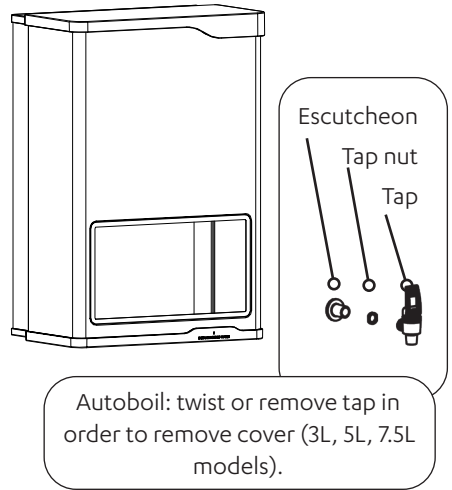
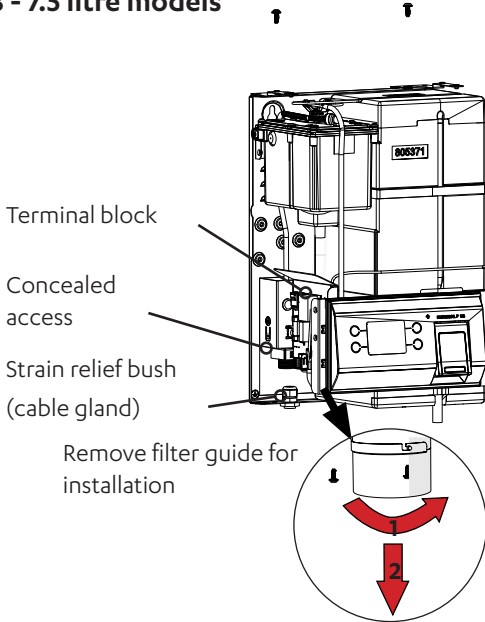
Autoboil: twist the tap 90 degrees to allow the cover to be removed.

### 15 - 40 litre models

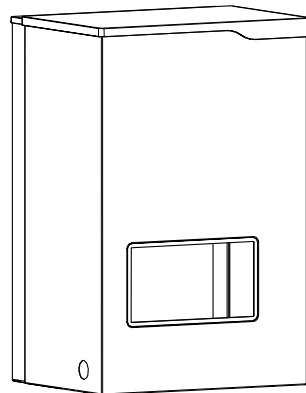
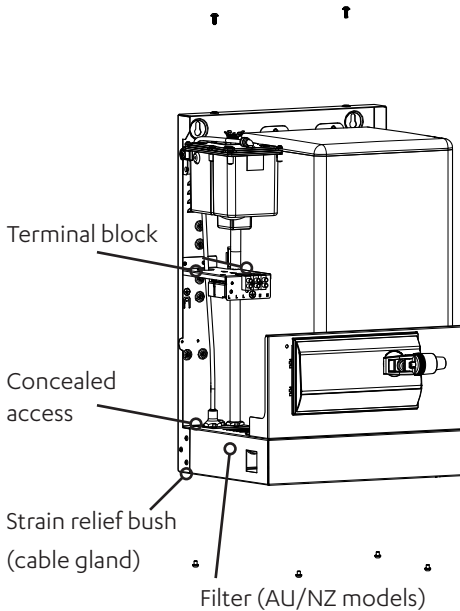




### 3 - 7.5 litre models



### 15 - 40 litre models

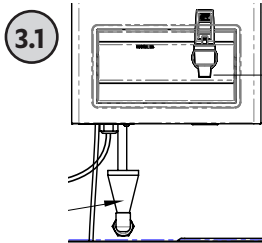


## Step 3 – Plumbing connection

### Cold water inlet and vent outlet

#### IMPORTANT:

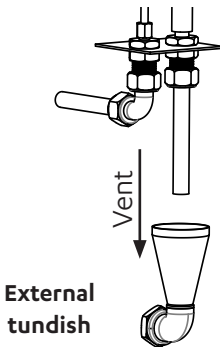
- Cold water pipes must be flushed before connection to the inlet to prevent blockages from affecting operation of the appliance.
- An isolation valve (not supplied) must be fitted to the water supply.
- All Vent pipework:
  - must be installed with continuous fall.
  - must be no more than 3 metres in length.
  - must have no more than 3 right-angle bends.



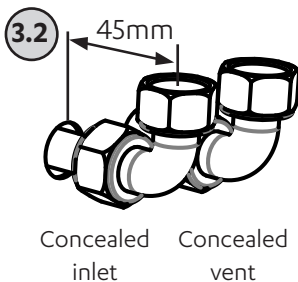
#### Exposed plumbing connection

Connect the cold water inlet pipe from the base of the Hydroboil directly to the 12.7mm (½" BSP) compression fittings with nuts and olives supplied.

install a visible tundish and plumb to trapped waste. Ensure access for filter replacement is not obstructed.



OR



#### Concealed plumbing connection

Connect cold water pipe through the rear of the appliance using a 12.7mm (1/2" BSP) capillary elbow (e.g. No.63, loose nut elbow).

Connect vent from the concealed rear of the appliance to a dia12.7mm pipe. Vent outlet must be visible and discharge to a waste water drain.

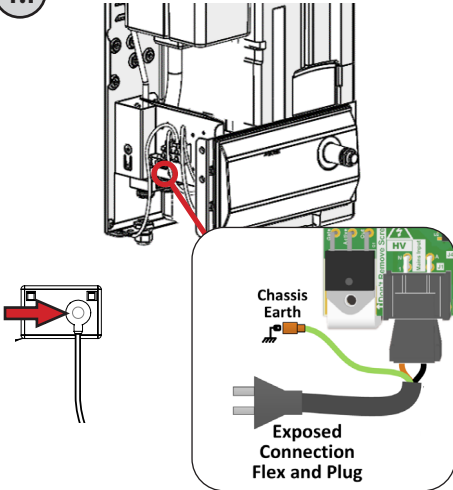
## Step 4 – Electrical connection



All wiring must be performed by a qualified electrician. Refer to local relevant electrical codes and guidelines for installation requirements, cable size and selection to ensure suitability for local installation conditions and your product's power rating.

4.1

220-240V AC, 50Hz



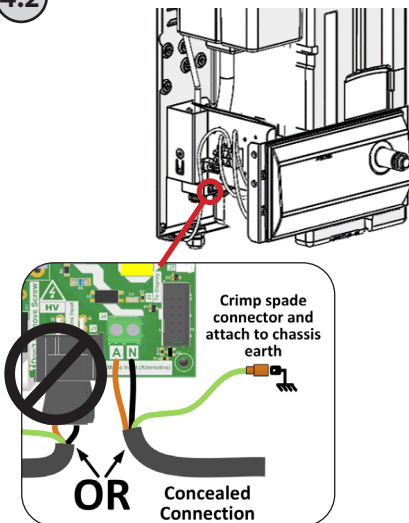
**Exposed electrical connection for 3L, 5L, 7.5L models**

- If a power cable is not already fitted, connect a cable to the terminal block on the PCB, via the strain relief bush (cable gland). Tighten the strain relief bush to secure the cable.
- With power cable fitted, connect the cable plug to a 220-240V AC power outlet.
- Do not turn power ON until the appliance can dispense water from the tap outlet.

OR

4.2

220-240V AC, 1-phase



**Concealed electrical connection for 15L, 25L, 40L models**

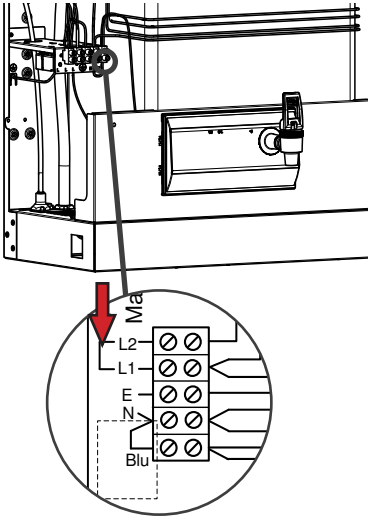
**(optional for 3L, 5L, 7.5L models)**

- If a power cable is fitted, disconnect and discard.
- Connect a concealed power cable through the rear access opening to the terminal block "live" (active) and "neutral" wires, via the strain relief bush. Tighten the strain relief bush to secure the cable.
- Crimp a 6.3mm QC female spade connection to the earth conductor and attach to the chassis earth male terminal.
- An isolation switch should be installed, according to AS3000.
- Do not turn power ON until the appliance can dispense water from the tap outlet.
- Verify the earth continuity.

## Step 4 – Electrical connection

4.3

### 220-240V AC, 1-phase



### Single-phase power supply

**15-25L models:** These models have single-phase connection. No bridging is required.

**40L models:** There are two connection options:

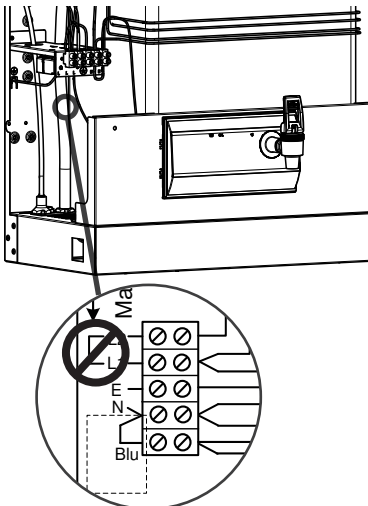
- Single phase 220-240V. L1 and L2 need to be bridged on installation. The single phase supply must be sufficient to handle the power of the unit (i.e. 25A or above)
- 3 phase connection (see below)

OR

4.4

### 40L models

### 380-415V AC, 3-phase



### 3-phase power supply

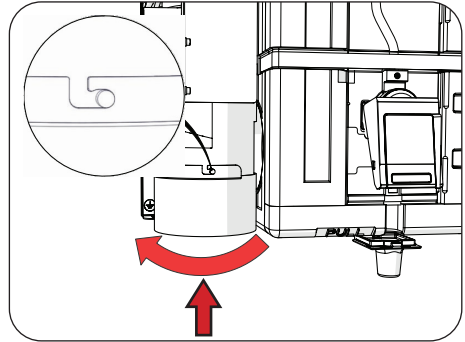
**40L models:** There are two connection options:

- Single phase 220-240V (see above)
- 3 phase connection 380-415V. 2 out of 3 phases are connected to L1 and L2. No bridging between L1 and L2 is required

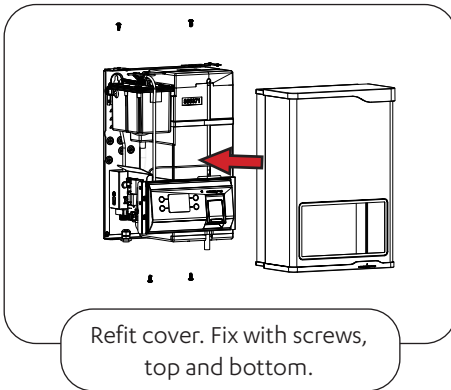
## Step 5 – Assembly

### 5.1 Refit filter guide

Push filter guide upwards.  
Rotate clockwise until locked.

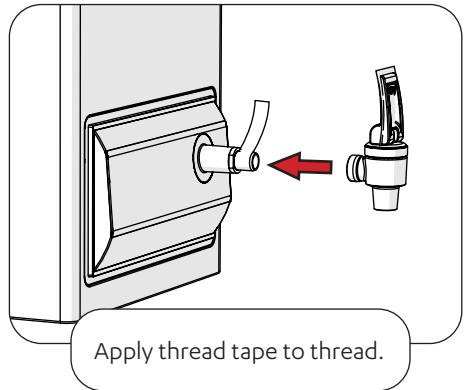


### 5.2 Refit cover



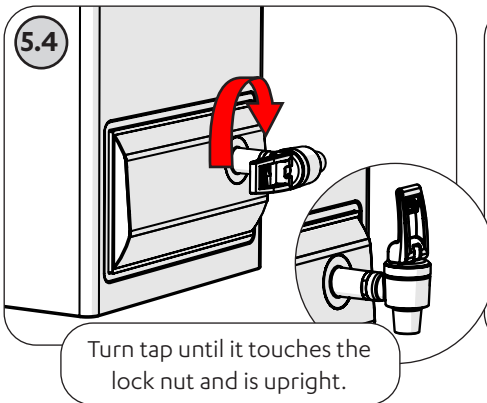
Refit cover. Fix with screws,  
top and bottom.

### 5.3 Refit tap (Autoboil models)



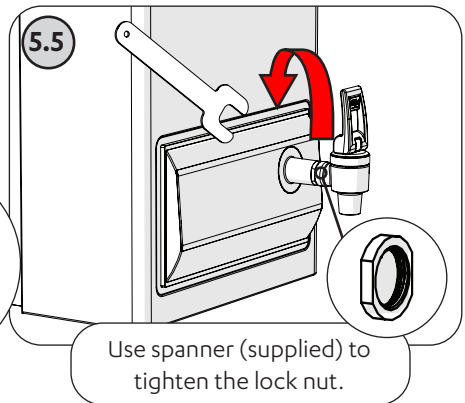
Apply thread tape to thread.

5.4



Turn tap until it touches the  
lock nut and is upright.

5.5



Use spanner (supplied) to  
tighten the lock nut.

## Step 6 – Commissioning

6.1



**Warning: This appliance must be earthed**

**Do not turn ON electrical power until instructed. Water must be available from the tap outlet to prevent damage. Water dispensed during commissioning may be boiling.**

### Check earthing

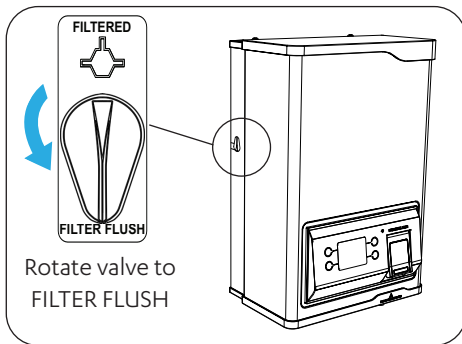
Earthing continuity must be tested by a qualified technician using a resistance meter of minimum accuracy of 5% full scale deflection.

- Ensure electrical power is OFF.
- Verify meter ohms range, connect leads together, reading should be 0 ohms.
- Hold one test lead to the earth of the power lead.
- Hold the other test lead on a cover fixing screw, then the tap.
- Verify that in every instance the electrical resistance does not exceed 1 ohm.



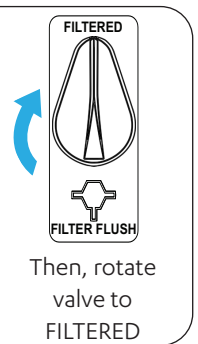
6.2

### Filter flush

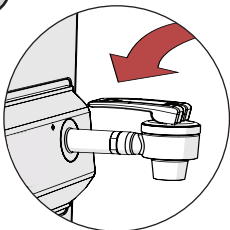


Turn ON mains water.  
Allow 5 litres to flow  
from vent outlet, to  
flush the filter.

Note: Water should NOT  
flow into the tank.



6.3



### Check water connections

Turn ON the mains water supply. Water will flow into the Hydroboil. Check connections and repair any leaks.

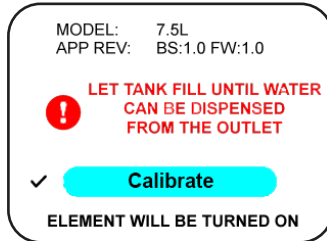
Depress the tap lever into the locked open position. Allow the tank to fill until water flows from the tap outlet.

Once water is available from the tap, close the tap to stop water flow.

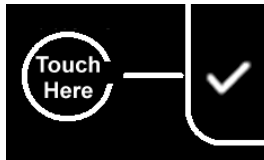
## Step 6 – Commissioning

### 6.4 Turn on electrical power

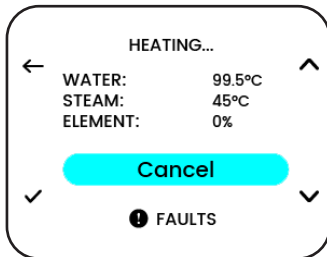
Turn the mains electrical power ON. Refer to the screen.



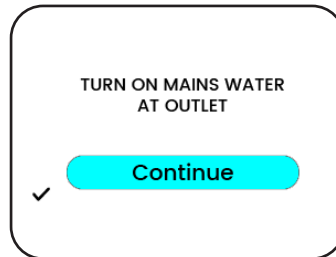
Touch the white circle left of the  [Tick] to “Continue”.



Boiling Calibration will commence. Allow several minutes for the water to boil.



Calibrating



Completed

When completed, as prompted, turn on the mains water supply.

Select  to **Continue**

The home screen will be shown (see section 2.1).

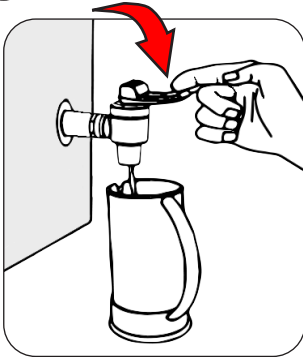
The tank will fill and heat. Allow 15-30 minutes for the water to reach boiling set temperature.

## Step 7 – Tap operation

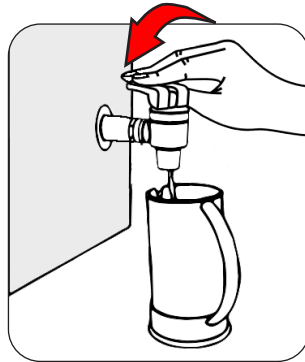


**Boiling water will be dispensed**

### 7.1 Tap operation: Autoboil

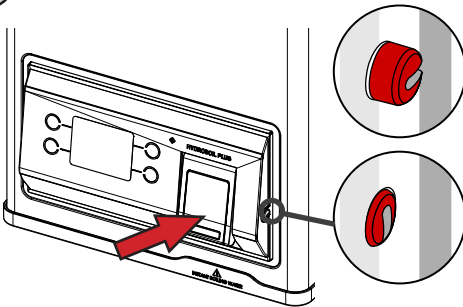


Press lever to dispense boiling water.



Push to lock for continuous flow.  
If lever does not lock, rotate it 180° before dispensing.

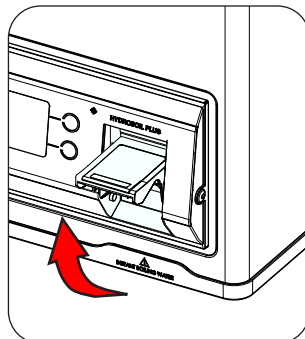
### 7.2 Tap operation: Hydroboil Plus



Gently push the tap to dispense boiling water.

Lift the tap until it locks in a horizontal position, for continuous flow.

Ensure the red lock button on the right hand side of the control panel is in a depressed position. If not, push the button and simultaneously rotate it 90°. The button should remain depressed.





## Screen operation

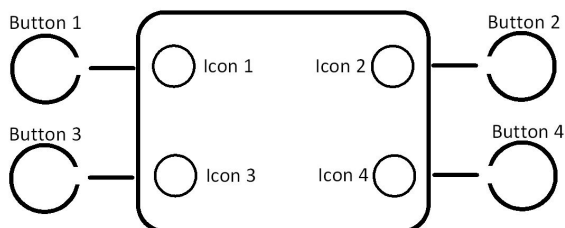
### 1 Understanding icons and buttons








Autoboil and Hydroboil Plus have a display and button menu system for setup and operation adjustment.

Use the side buttons to navigate, perform selections and modify values.

The icon changes according to the button action.

A button has no function when no icon is shown.



-  Move to the next item (highlighted).
-  Move to the previous item
-  Confirm menu selection
-  Move to the previous menu.
-  Perform one of 3 functions:
  - Move to the menu titled by the highlighted item.
  - Select the currently highlighted item to adjust it.
  - Confirm the value of a selected item.
-  Increment the item selected.
-  Decrement the item selected.

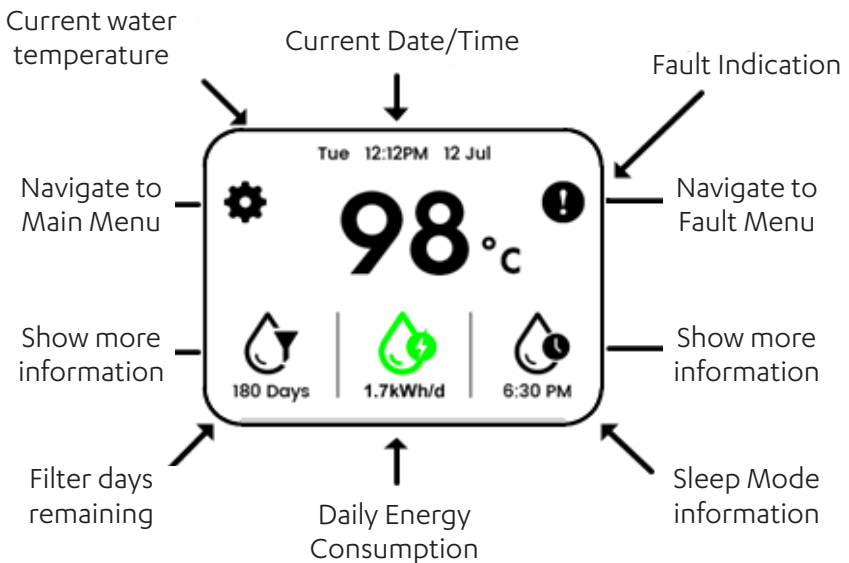
## Screen operation

### 2 Home screen modes

There are 3 Home screen modes:

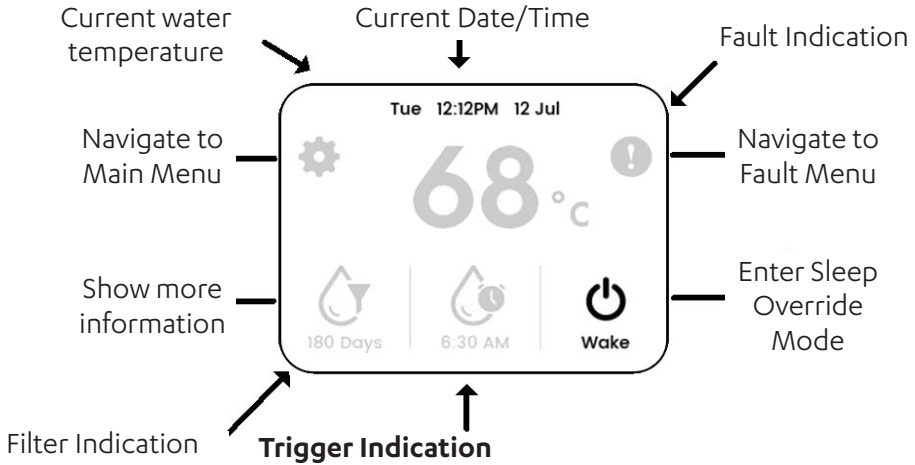
- Normal mode.
- Sleep mode.
- Sleep override mode.

#### 2.1 Normal mode



## Screen operation

### 2.2 Sleep mode

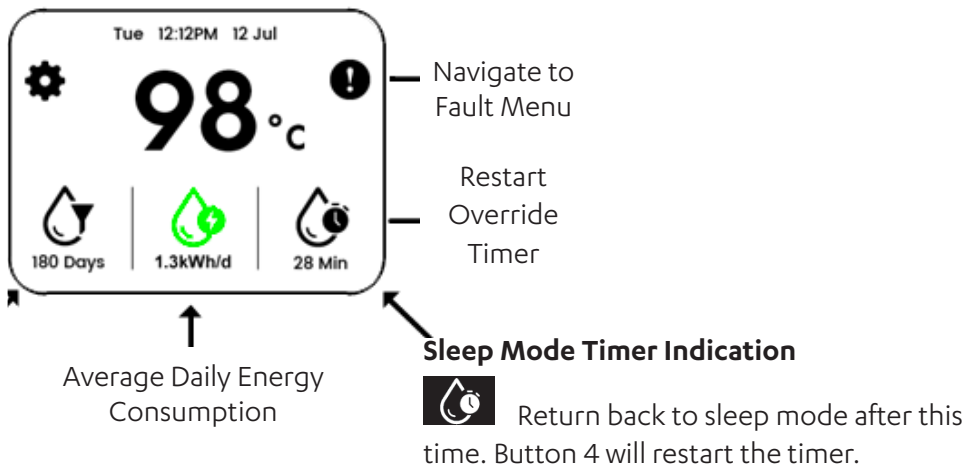


Exits sleep mode at the time shown.



Exits sleep mode when ambient light returns to normal (bright room).

### 2.3 Sleep Override Mode



Return back to sleep mode after this time. Button 4 will restart the timer.

## Screen operation

### 3 MAIN menu



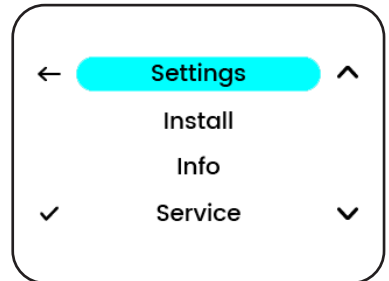
Main menu (from Home Screen)



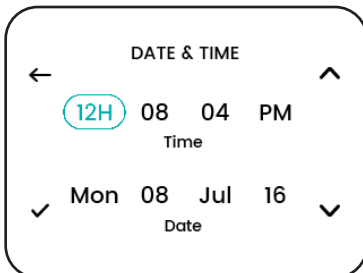
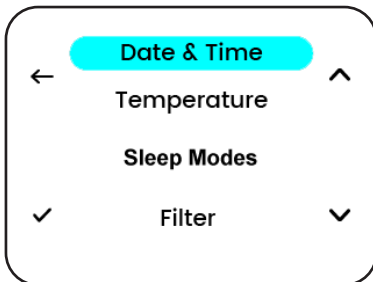
Scroll menu options.



Select option.

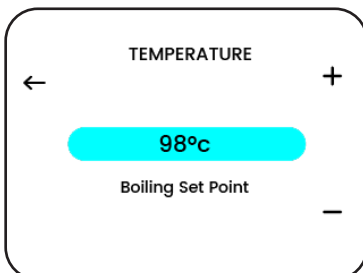


### 4 SETTINGS



#### Settings - Date & Time

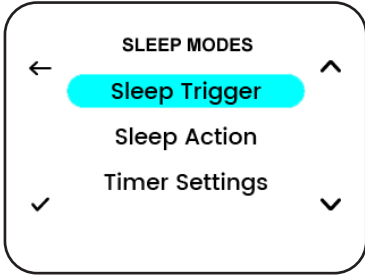
Set the date & time



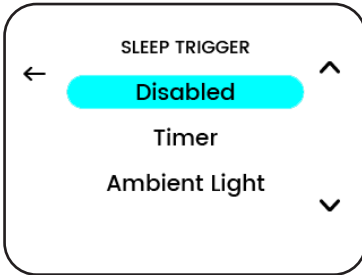
#### Settings - Temperature

Set the Boiling Set Point temperature

## Screen operation

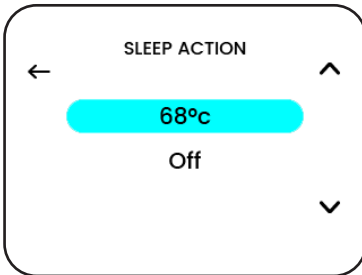


### Settings - Sleep Modes menu



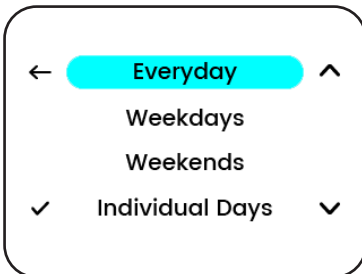
### - Sleep Trigger

Select the trigger that will enable Sleep Mode



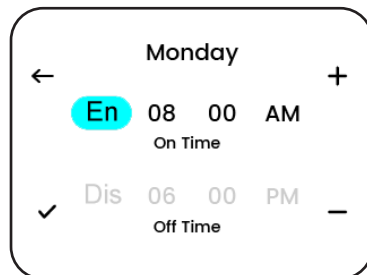
### - Sleep Action

Select either reduced water temperature, or switch off the appliance.

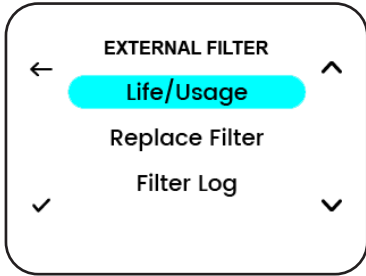


### - Timer Settings

Select when Sleep Mode will be enabled.



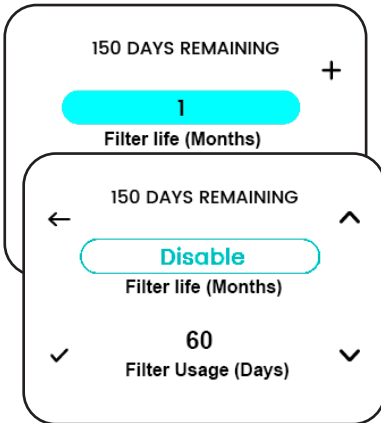
## Screen operation



### Settings - Filter menu

Change the settings to show when the water filter is due to be replaced.

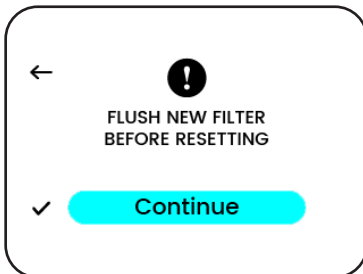
**In Australia:** Select either Internal or External filter to continue.



### - Life/Usage

Set the filter life (default 12 months; refer to the filter cartridge) and the actual filter usage.

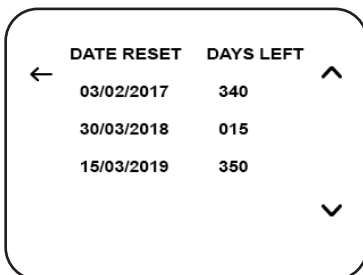
Disable, to prevent filter change reminders.



### - Replace Filter

Select this option when replacing a water filter. The screen prompts to flush the new filter before resetting.

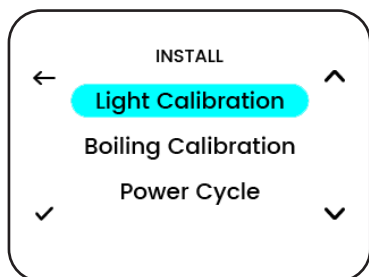
Press Continue to reset the filter life.



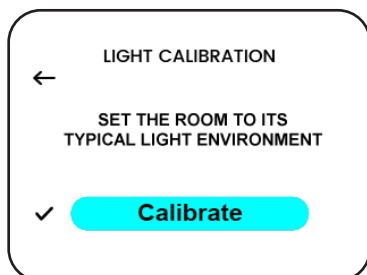
### - Filter Log

Shows date of new filter installation.

## Screen operation

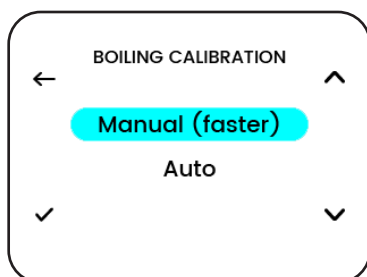


### Settings - Install menu



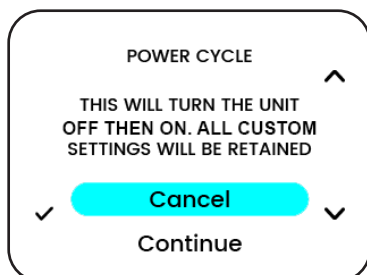
#### - Light Calibration

Calibrate the operating ambient light in order to trigger sleep mode when the light dims below “ambient”.



#### - Boiling Calibration

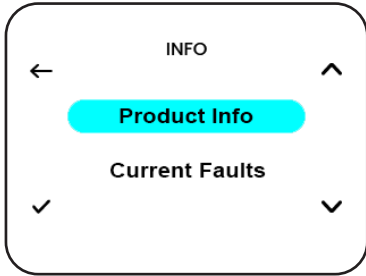
Follow the instructions on the screen to calibrate boiling.



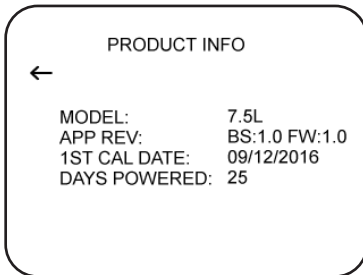
#### - Power Cycle

This will turn the appliance off, then on.

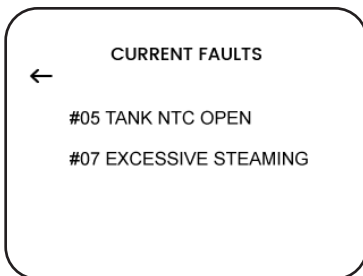
## Screen operation



### Settings - Info menu



### - Product Info



### - Current Faults

Refer to “Troubleshooting” to identify fault codes.



## Maintenance

### Filter replacement

The filter cartridge should be replaced every 6-12 months, or earlier if you notice a persistent reduction in water pressure from the appliance or an unpleasant taste or odour in the water.



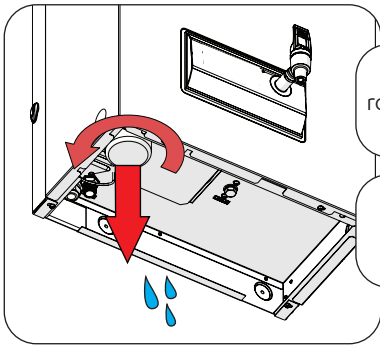
**Warning! Not changing filtration cartridges when required, may cause the water to become biologically unsafe.**



**If the appliance is switched off for a long period of time (more than 2-3 days), run water through the outlet for at least 5 minutes before consumption.**

Use only a Zenith Filter in this product to ensure effective filtration and operation. Replacement filter cartridges can be obtained through plumbing suppliers or directly from Zenith. Filter replacement instructions are included with the filter cartridge spare part kits.

### To replace the filter cartridge:

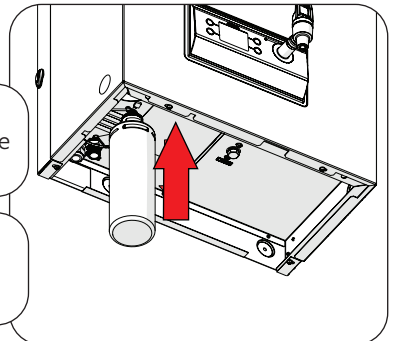


To remove filter cartridge:  
rotate the filter anti-clockwise.  
Gently pull down.

Have an absorbent cloth  
ready to catch any water  
released.

Replace with a new filter by gently pushing up,  
engaging the key and turning the filter clockwise  
until the filter clicks or locks into place.

Perform filter flush by following the filter flush  
steps in Commissioning (page 14).  
Dispose of the filter cartridge responsibly.



## Troubleshooting

In the event of a fault or failure, isolate power and water. Do not use the appliance. Contact a Zenith authorised service agent for assistance, service, spare parts or enquiries.

Symptom	Possible cause	Solution
Fails to dispense water.	Water isolating valve turned off. Blocked filter, blocked meter tube, blocked strainer, jammed ball valve assy, airlock in transfer tube.	Check water supply valve. Contact Zenith authorised agent.
Water not boiling.	No power. Faulty PCB, faulty element, faulty cut-out.	Check power supply. Contact Zenith authorised agent.
Runs out of boiling water and fails to refill. Outlet tap drips. Overflow from vent. Excessive steam from vent. Power "on" but no heat. Overload repeatedly tripping with excessive steam. Overload repeatedly tripping without excessive steam.	Internal adjustment.	Contact Zenith authorised agent.

## Troubleshooting

Error code	Error meaning	Resolution
00 01 02 03	Boiling sensor or steam sensor is open circuit or short circuit.	Contact Zenith authorised agent.
04 05 06 07 08	Boiling calibration error	Turn the unit off, then on. Re-run commissioning or boiling calibration. If the problem persists, contact a Zenith authorised agent.
32	Event log - a boiling calibration has successfully occurred and recorded 2 parameters.	Unit should continue to work normally. If not, contact a Zenith authorised agent.

## Cleaning



Do not use strong, corrosive or abrasive cleaning materials. Stainless steel surfaces will show scratches if an abrasive cleaning product is used.

Wipe clean the outer surfaces with a sponge or a soft cloth using a mild soap and water.

## End of life disposal

In order to help preserve our environment we ask that you dispose of this product correctly. Please contact your local city council for collection centre details.



**Zenith Heaters Limited**

IRD/GST No. 95 640 729

18 Kawakawa Place, Westgate, Auckland 0814  
New Zealand

Ph: +(64 9) 838 8612 | Free Call 0800 558 055

**[zenithwater.co.nz](http://zenithwater.co.nz)**

Zenith products described in this publication are manufactured under one or more patents and further patent applications are pending.

As Zenith policy is one of continuous product improvement, changes to specifications may be made without prior notice. Images in this booklet have been modified and may not be true representations of the finished goods.

© 2021 Zenith Heaters Ltd.