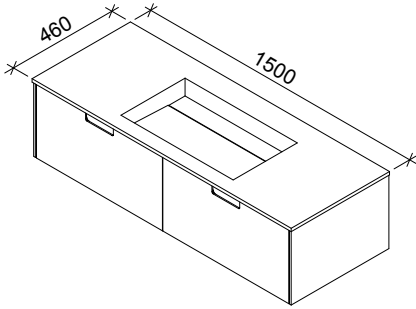
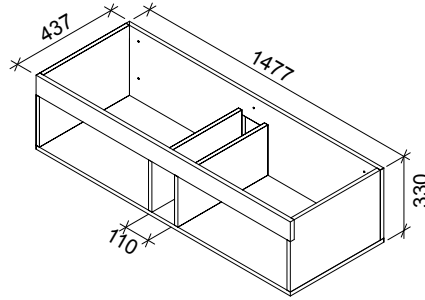


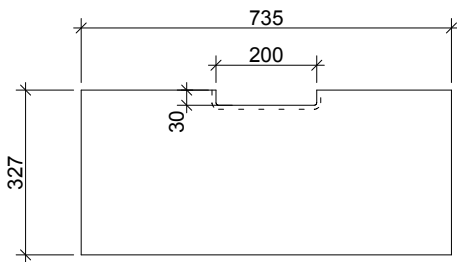
EI - SCH - 1500 VANITY



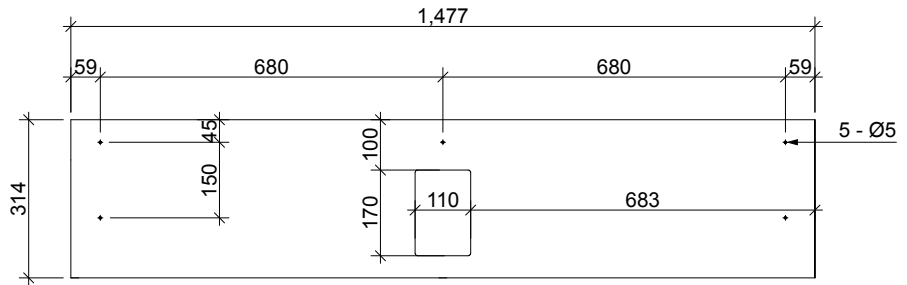
CABINET OVERALL



FRAME

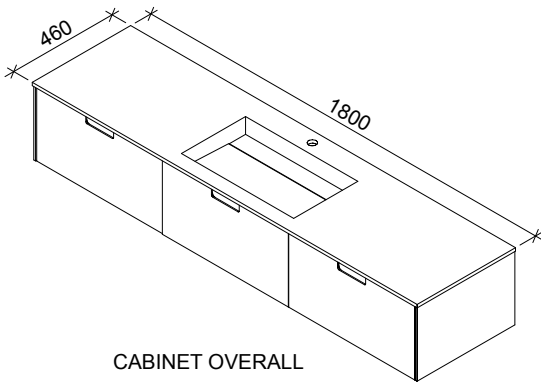


DRAWER FRONT

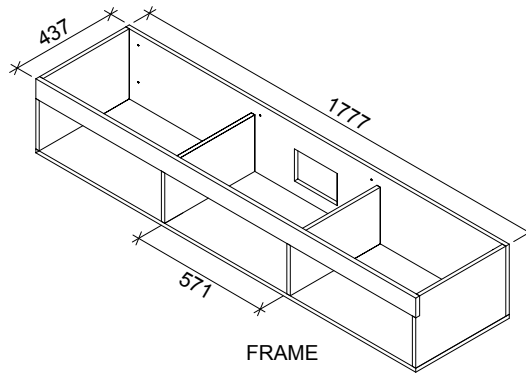


FRAME REAR

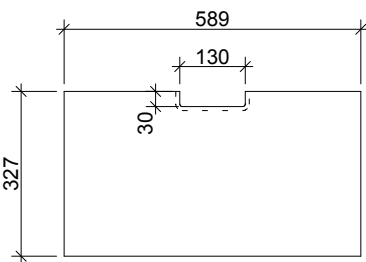
EI - SCH - 1800 VANITY



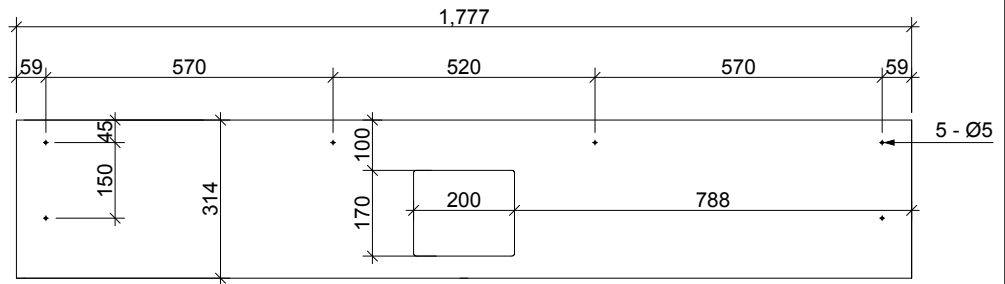
CABINET OVERALL



FRAME



DRAWER FRONT



FRAME REAR