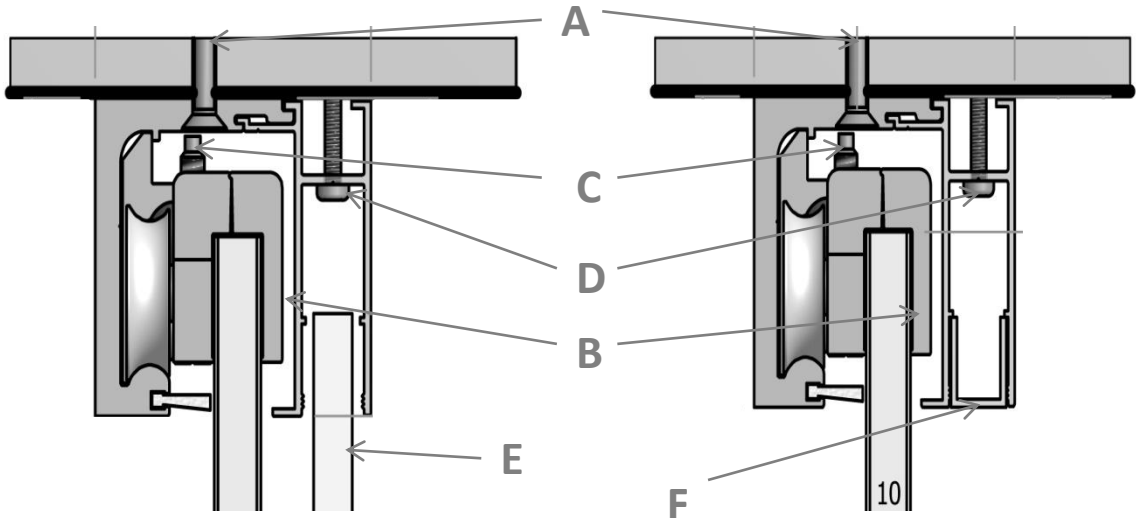
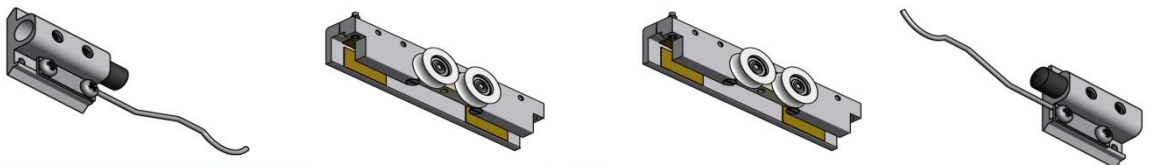


SPECIALITY FRAMELESS DOOR SYSTEMS

Glass Glide Installation Guide

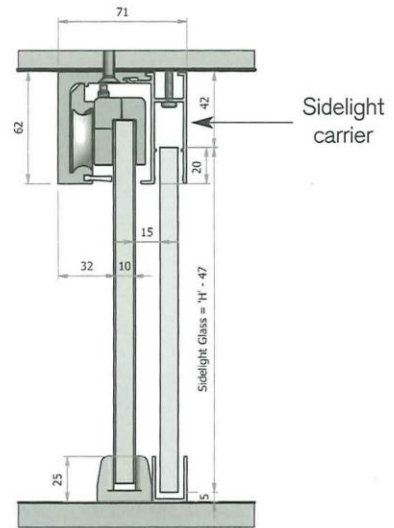
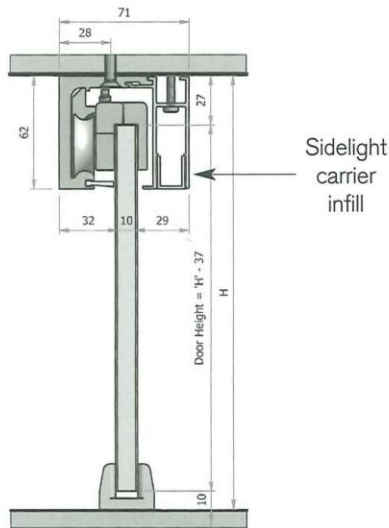


- A. To fix the track into the ceiling use 10 gauge CSK screws at 300mm to 600mm centre's. Ensure screw heads are counter sunk flush into the track
- B. Once the door and hangers are installed onto the track and the door is fitted you can then if required use the height adjustment allen screw to raise or lower the door.
- C. Adjust the anti jump screw so it clears the underside of the track by 1mm to 2mm max.
- D. Fit side light carrier to the track & secure with screws at 300mm to 600mm centers
- E. Fit & glaze the side light glass into the side light carrier and wall/floor channel.
- F. Cut the side light infill section (CS15 channel) to the width of the opening and secure in place with clear silicon.
- G. **Note:** Clamps have gaskets glued in place for 12mm glass. For 10mm glass use the additional 2mm thick gasket . Fix these to outer section of the clamps.



SPECIALITY FRAMELESS DOOR SYSTEMS

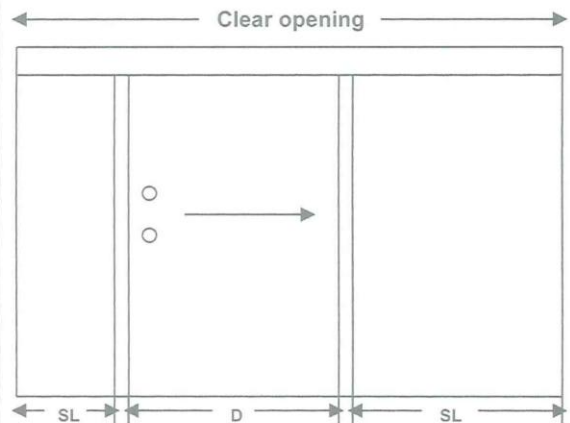
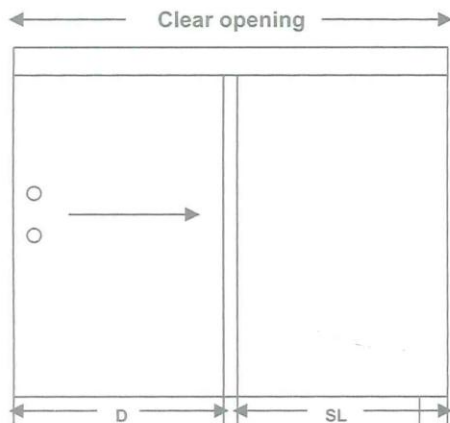
Glass Glide Installation Guide



To determine the height of glass doors & sidelights

H = Overall opening height
 DH = Glass door height
 DH = H less 37mm

SL = Glass sidelight height
 SL = H less 47mm



With the Metro Glass Glide sliding door & sidelight system there are numerous set out options.

Above are two of the more common options.

Note: It is recommended that the door and sidelight overlap be 35mm each side.

When glazing side lights specify CS25 channel.