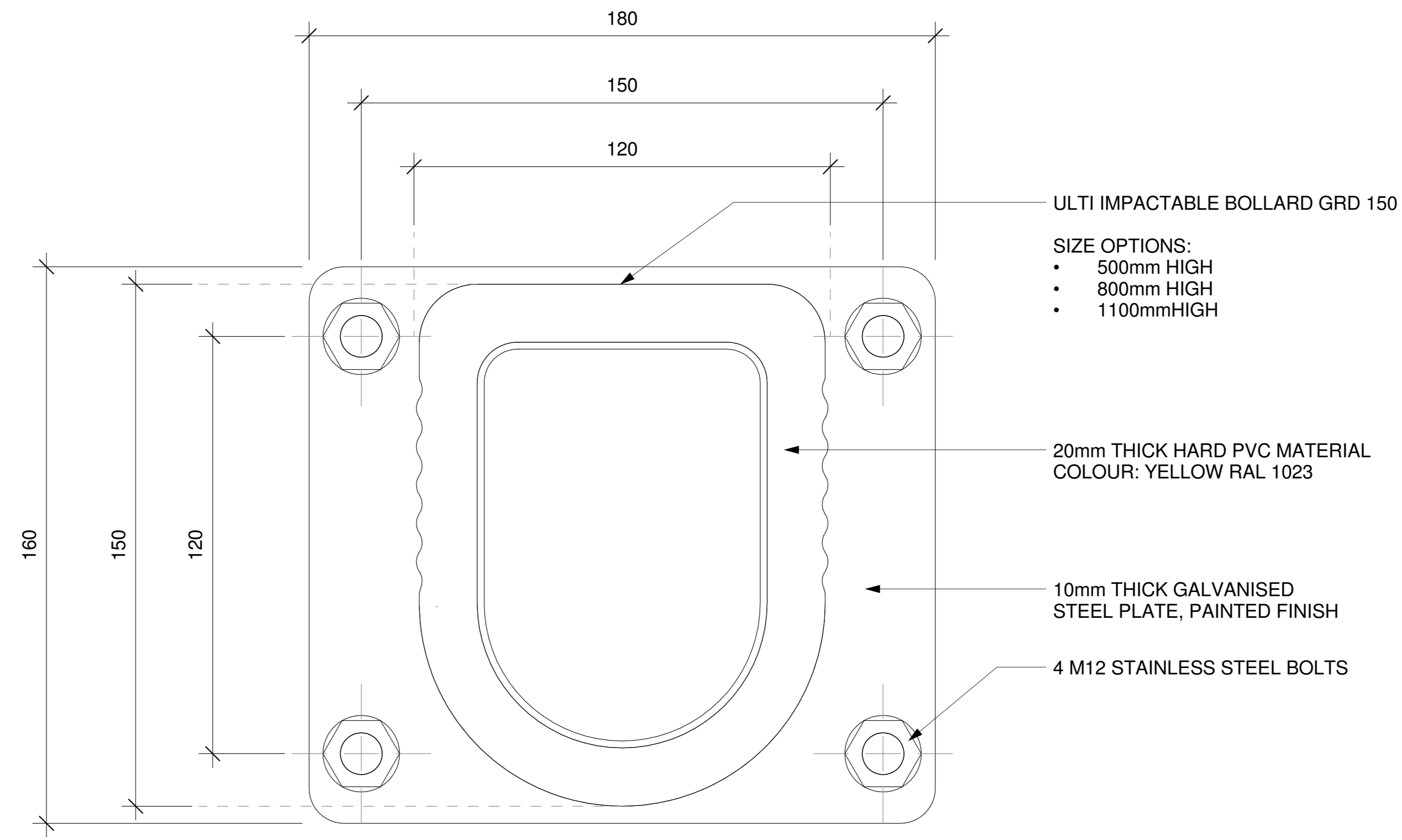


1 PLAN - BOLLARD GRD 90

SCALE: 1:1 MTS.

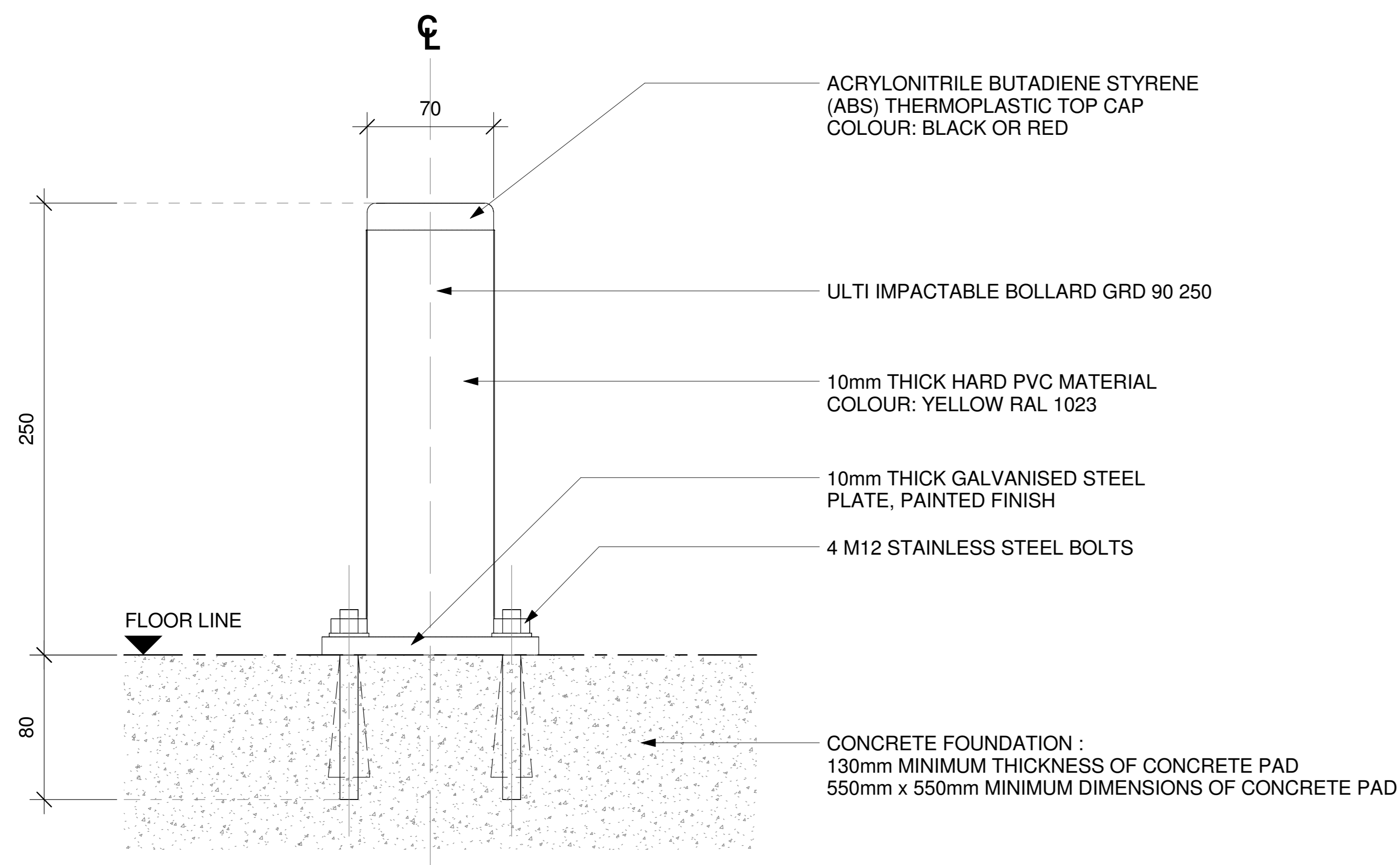
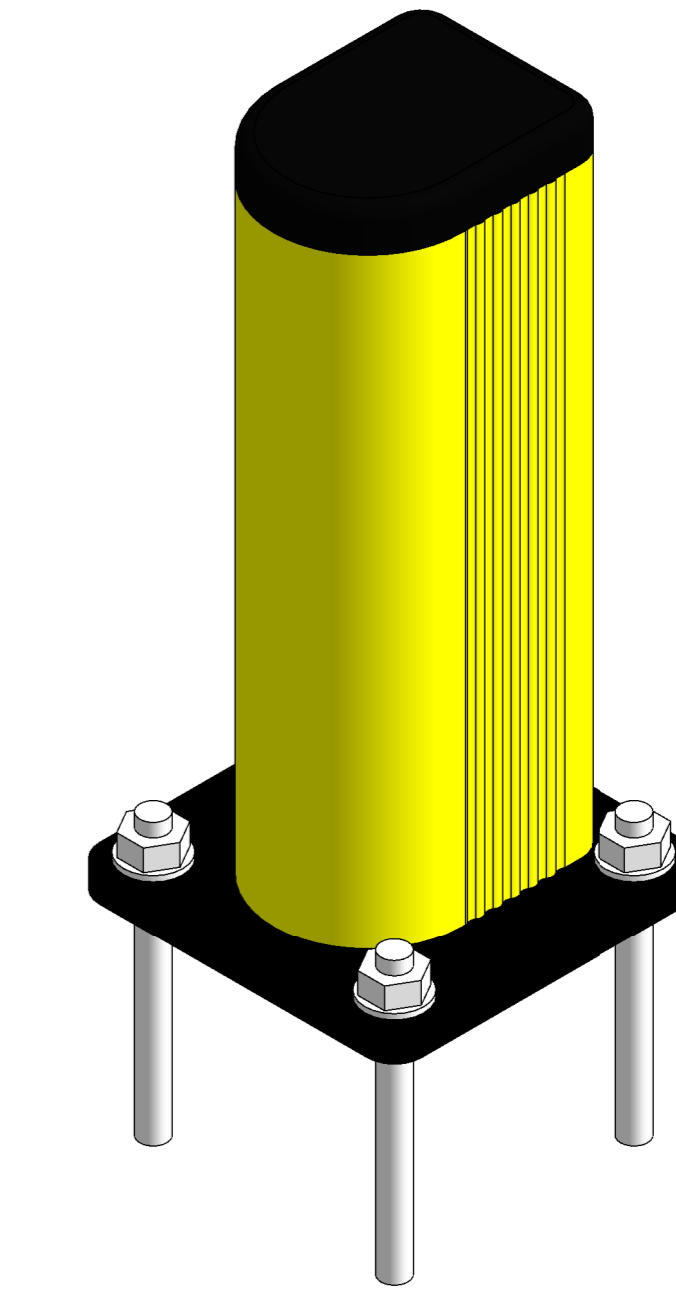


3 PLAN - BOLLARD GRD 150

SCALE: 1:1 MTS.

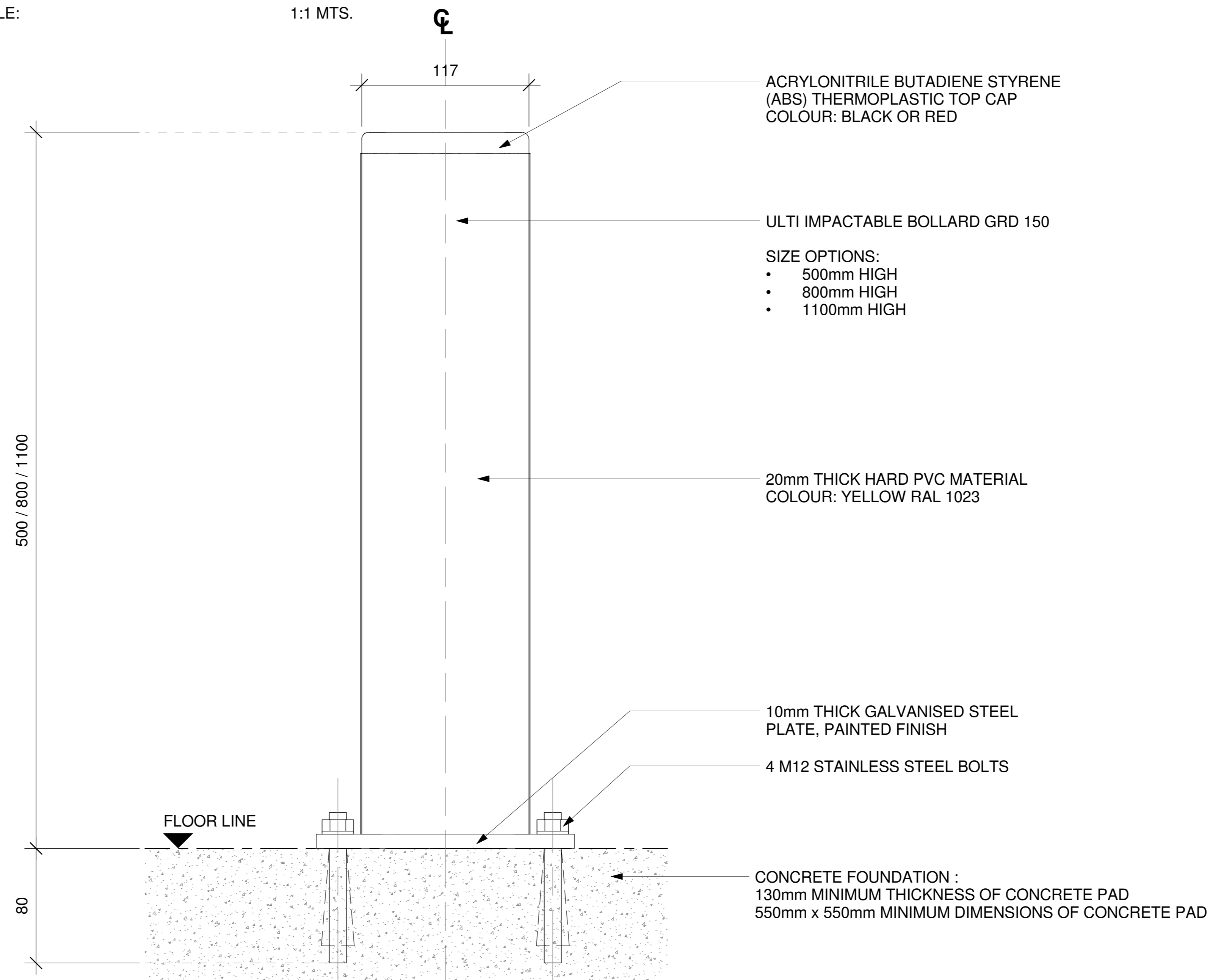
5 3D VIEW - BOLLARD GRD 90

SCALE: N.T.S.



2 ELEVATION - BOLLARD GRD 90

SCALE: 1:2 MTS.

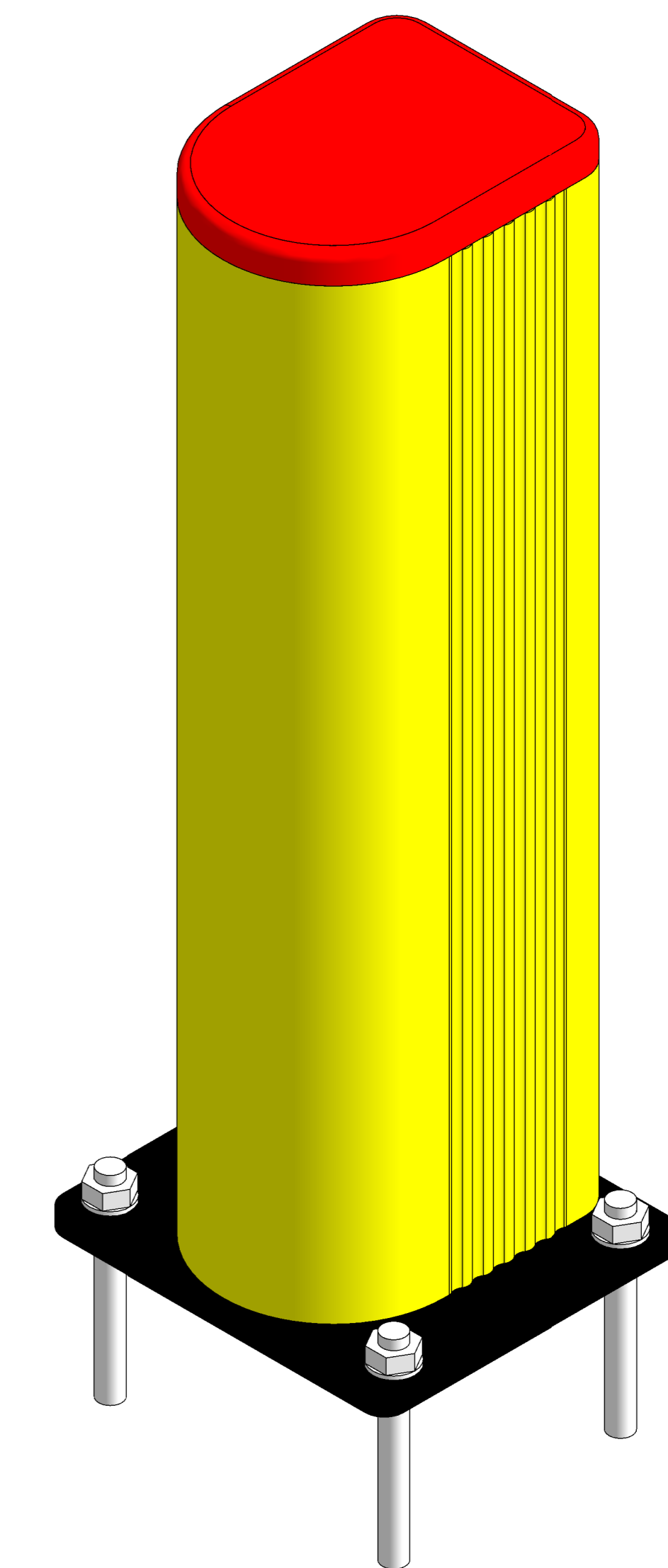


4 ELEVATION - BOLLARD GRD 150

SCALE: 1:2 MTS.

6 3D VIEW - BOLLARD GRD 150

SCALE: N.T.S.



NOTE:
CONTACT ULTI GROUP FOR ANY CUSTOMISATIONS
AND TO DISCUSS PROJECT SPECIFIC INFORMATION



www.ultigroup.co.nz
sales@ultigroup.co.nz
Phone: 0800 807 753
17 McKee Street, Te Rapa, Hamilton, 3200

UlTi Impactable Bollard GRD

GRD 90 250, GRD 150 500,
GRD 150 800, GRD 150 1100

No.	Description	Date
1	CHECKED BY TS	12.06.2016

PLAN VIEW, ELEVATION
AND 3D VIEW

Project Number -
Date 10.27.2016
Drawn By J.ENRIQUEZ

BOLLARD-GRD-001

Scale As indicated