

MANROSE CLASSIC DC SPECIALISED FANS

12/24V EXTRACT-A-LITE MODELS

Metric Size	Model No.	Switching Method	Colour	Performance	Order Code
100mm	BSL112W	Standard	White	18 l/s, 64m ³ /hr	FAN0625
100mm	BSL112G	Standard	Gold	18 l/s, 64m ³ /hr	FAN0690
100mm	BSL112C	Standard	Chrome	18 l/s, 64m ³ /hr	FAN0691
100mm	BSL124W	Standard	White	18 l/s, 64m ³ /hr	FAN0626
100mm	BSL124G	Standard	Gold	18 l/s, 64m ³ /hr	FAN0686
100mm	BSL124C	Standard	Chrome	18 l/s, 64m ³ /hr	FAN0685

- A compact extractor fan combined with an integral halogen light.
- Designed for installation in galleys, showers and toilets, ideal for marine and other leisure applications.
- Long life computer motor which will run continuously, only 2.8 watts.
- Supported by a 2 year warranty.

ACCESSORIES - EXTRACT-A-LITE COWL

Metric Size	Description	Order Code
100mm	Extract-a-lite cowl	DCT1097

- External cowl suitable for use in marine and non-marine applications

TECHNICAL DATA

DIMENSION INFORMATION

Models	A	B	C	D	E	F
BSL112	140	90	52	12	98	38
BSL124	140	90	52	10	98	38

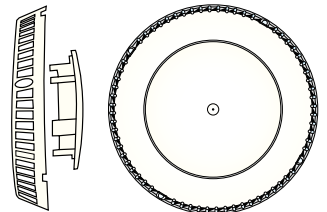
TECHNICAL SPECIFICATION

Models	BSL112	BSL124
Power	12V DC	24V DC
Fan Performance	18 l/s, 64m ³ /hr	18 l/s, 64m ³ /hr
Fan Wattage	45W	45W
Maximum Pressure	125 Pa	125 Pa
Fan Speed	1400 rpm	1400 rpm
Sound Level	45 dB(A)	45 dB(A)
Max. Operating Temp	40°C	40°C
IP Rating	IPX4	IPX4

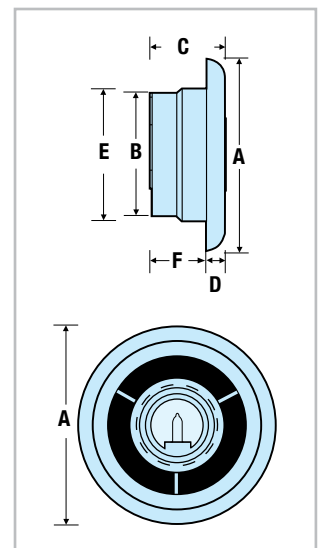
Switching Options

1. Standard Model - operates from remote switch (not supplied).

NOTE: All fan flow rates quoted are free air delivery.



► Dimensions - DC Extract-a-lite



► Performance - DC Extract-a-lite

