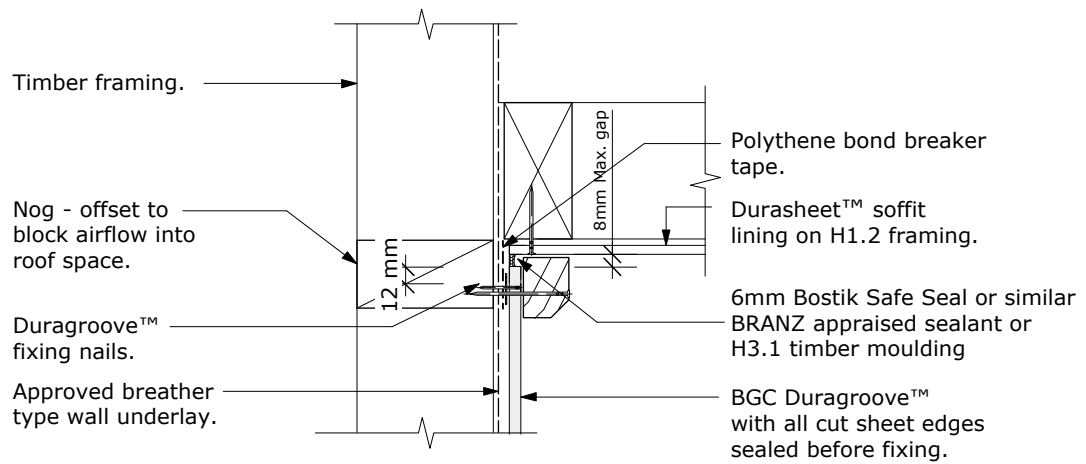


**BGC****Fibre Cement**PROFILE **BGC Duragroove™**

DATE Nov 2011

DETAIL **Soffit Detail - Direct Fix**

SCALE 1:5 @ A4

DETAIL NO. **D 22**