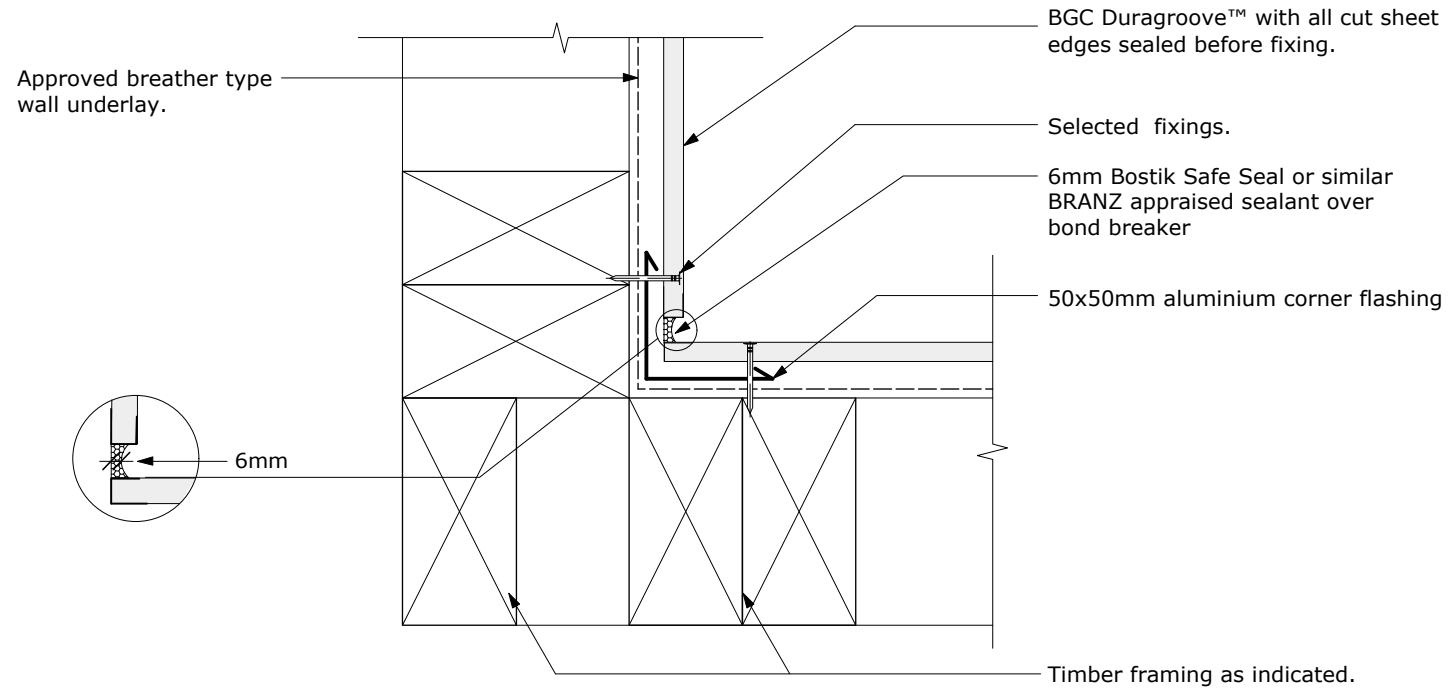


BGC

Fibre Cement



PROFILE BGC Duragroove™

DATE Nov 2011

DETAIL Internal Corner - Direct Fix

SCALE 1:3 @ A4

DETAIL NO. D 11