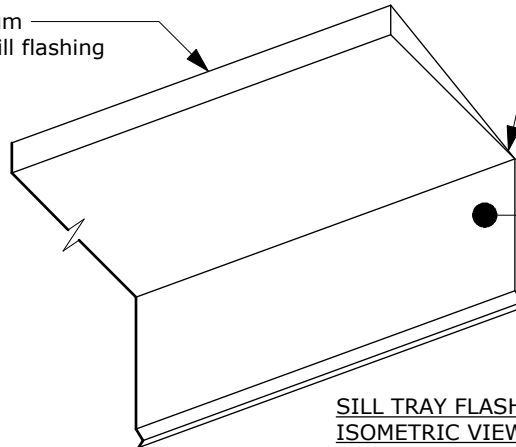


BGC

Fibre Cement

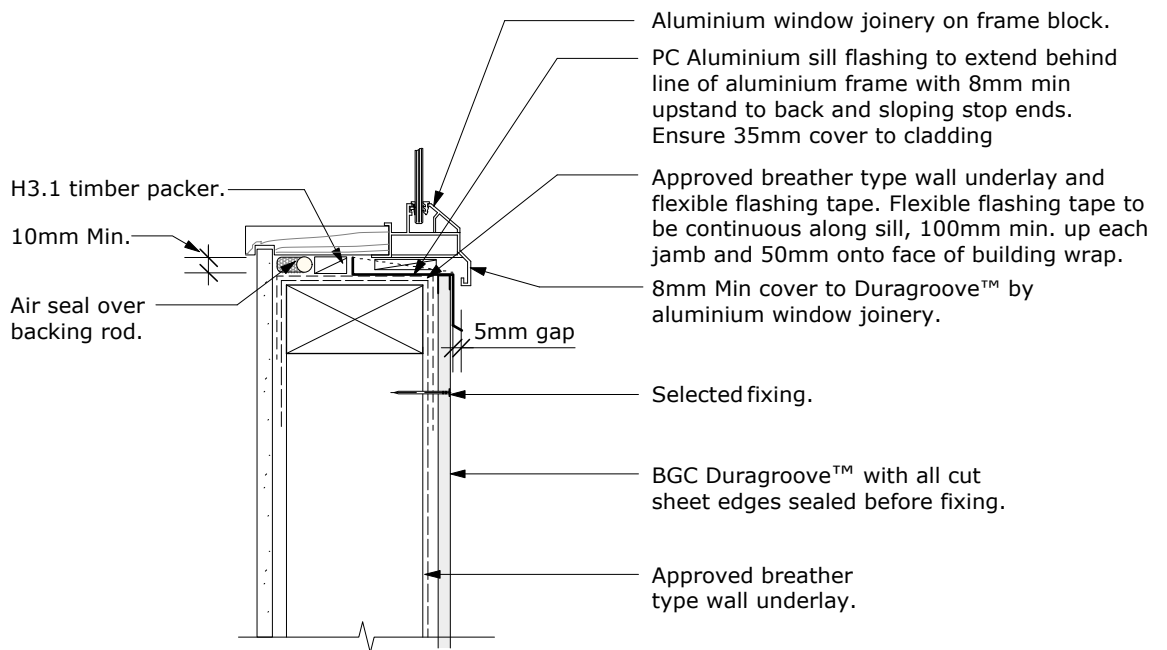
Ensure 8mm minimum upstand to back of sill flashing



Extend sill flashing through slot in cladding (not shown for clarity)

Flat sill tray flashing, minimum of full width of opening. Ensure flat sill tray does not slope backwards

SILL TRAY FLASHING
ISOMETRIC VIEW



Aluminium window joinery on frame block.

PC Aluminium sill flashing to extend behind line of aluminium frame with 8mm min upstand to back and sloping stop ends. Ensure 35mm cover to cladding

Approved breather type wall underlay and flexible flashing tape. Flexible flashing tape to be continuous along sill, 100mm min. up each jamb and 50mm onto face of building wrap.

8mm Min cover to Duragroove™ by aluminium window joinery.

Selected fixing.

BGC Duragroove™ with all cut sheet edges sealed before fixing.

Approved breather type wall underlay.

H3.1 timber packer.

10mm Min.

Air seal over backing rod.

5mm gap

PROFILE **BGC Duragroove™**

DETAIL **Window Sill Direct Fix**

DATE **Nov 2011**

SCALE **1:5 @ A4**

DETAIL NO. **D 21**