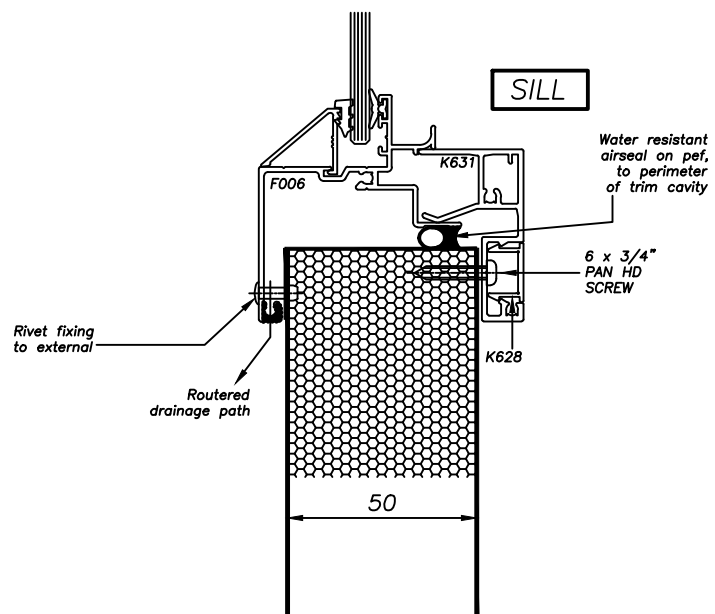
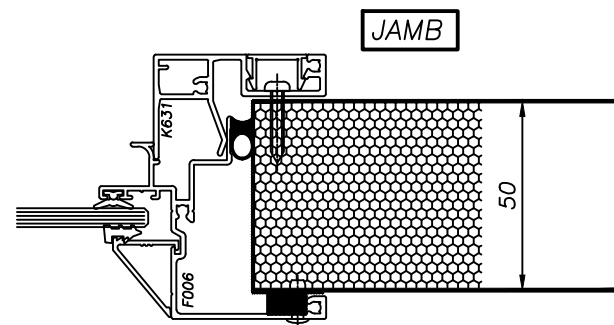
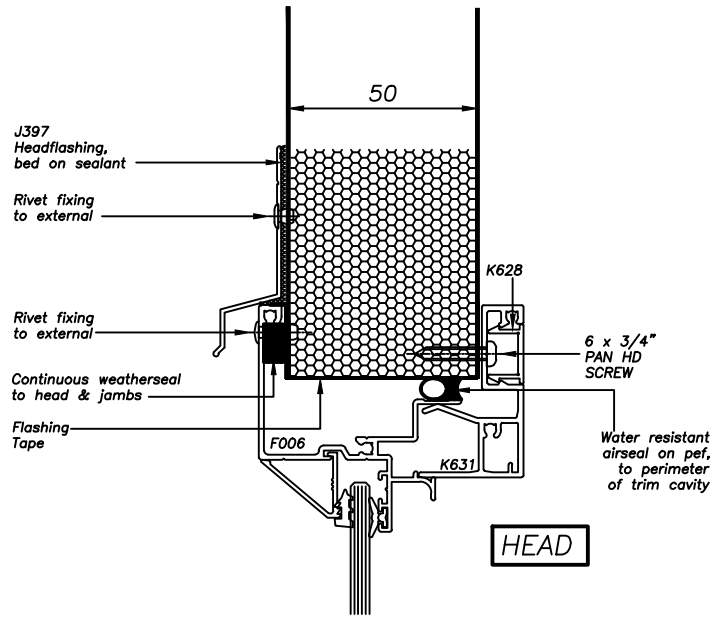




ALUMINIUM SYSTEMS LIMITED

3 Timaru Place, Mt Wellington, Auckland, 1060, NZ
P O Box 51.075, Pakuranga, Auckland, 2140, NZ
Tel + 064 9 574 2900 Fax + 064 9 574 2901



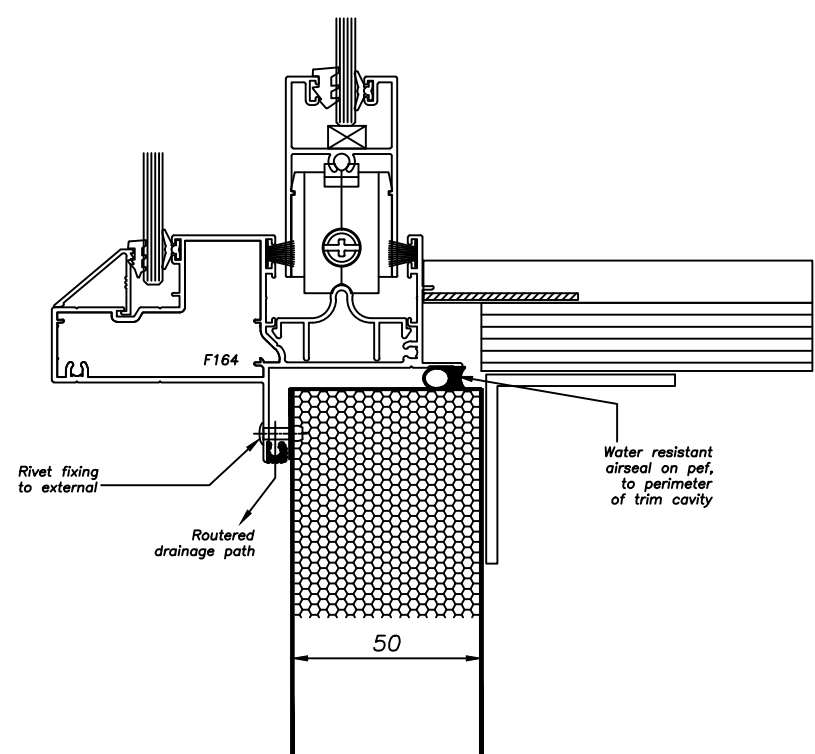
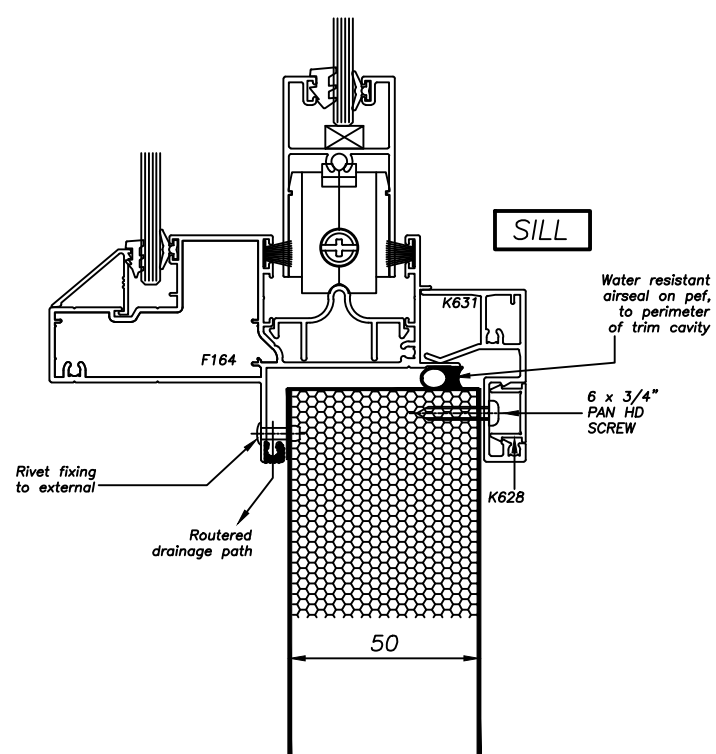
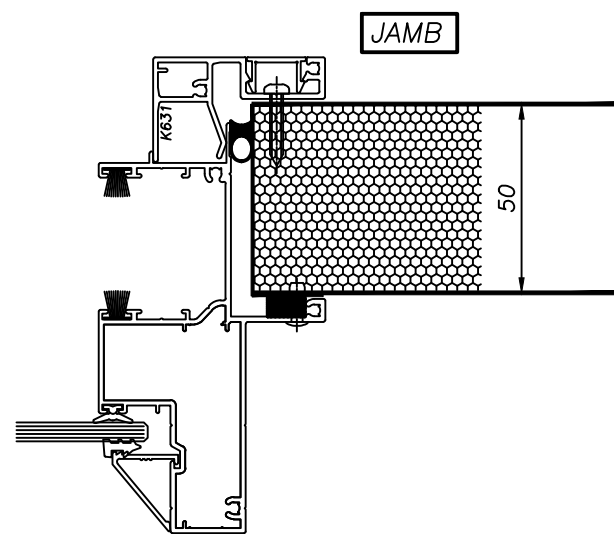
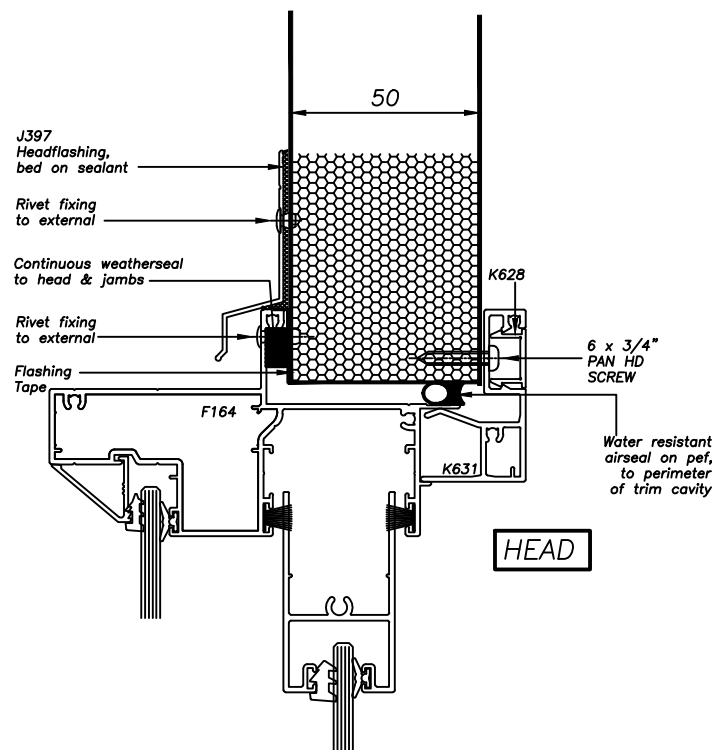
AWNING/WINDOW
INSTALLATION INTO 50mm WALL PANEL

TITLE								FF25 SINGLE GLAZED INSTALL INTO 50mm PANEL	
DWN BY	DATE	REV. BY	REV. DATE	APP'D. BY	SCALE	DWG No.	REV.		
R J S	22/11/13	RTS	17-02-14		1:2		0		
COPYRIGHT © THIS DRAWING IS THE PROPERTY OF ALUMINIUM SYSTEMS LIMITED: & MUST NOT BE USED					WITHOUT EXPRESS, WRITTEN CONSENT OF THE COMPANY				



ALUMINIUM SYSTEMS LIMITED

3 Timaru Place, Mt Wellington, Auckland, 1060, NZ
P O Box 51.075, Pakuranga, Auckland, 2140, NZ
Tel + 064 9 574 2900 Fax + 064 9 574 2901



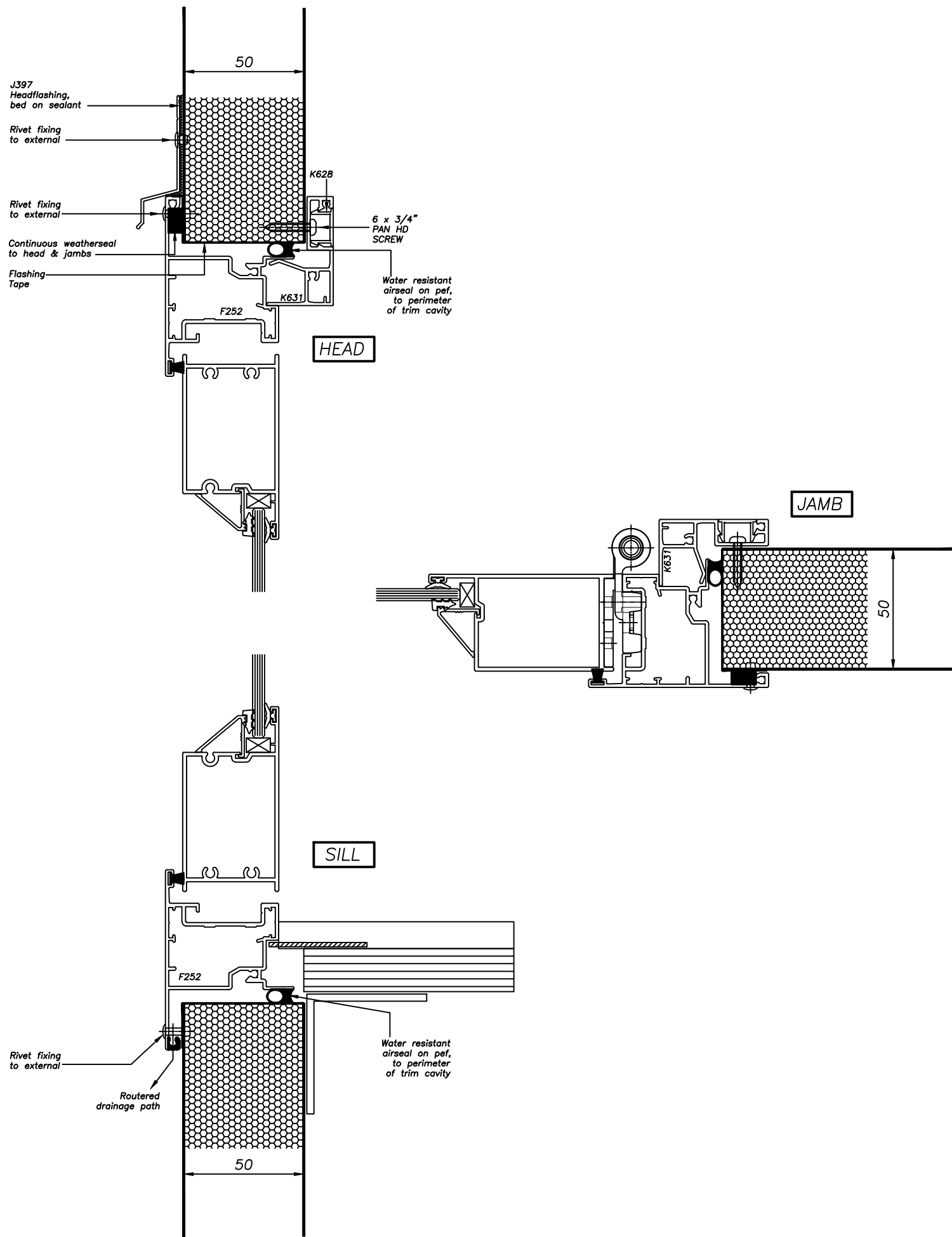
SLIDING WINDOW/DOOR INSTALLATION INTO 50mm WALL PANEL

TITLE									
FF25 SINGLE GLAZED INSTALL INTO 50mm PANEL									
DWN BY	DATE	REV. BY	REV. DATE	APP'D. BY	SCALE	DWG No.	REV.		
R J S	22/11/13	RTS	17-02-14		1:2		0		
COPYRIGHT © THIS DRAWING IS THE PROPERTY OF ALUMINIUM SYSTEMS LIMITED: & MUST NOT BE USED WITHOUT EXPRESS, WRITTEN CONSENT OF THE COMPANY									



ALUMINIUM SYSTEMS LIMITED

3 Timaru Place, Mt Wellington, Auckland, 1060, NZ
P O Box 51.075, Pakuranga, Auckland, 2140, NZ
Tel + 064 9 574 2900 Fax + 064 9 574 2901



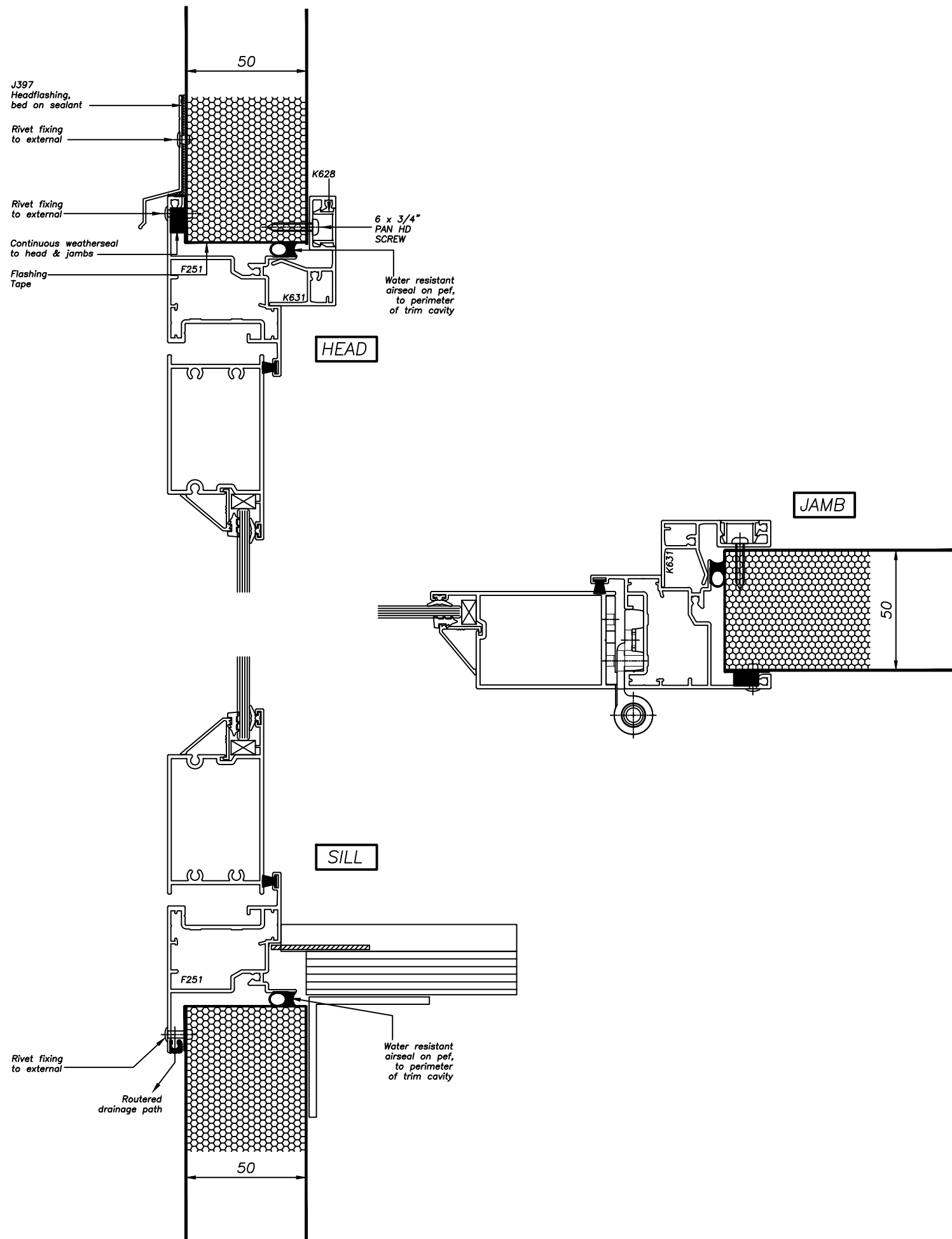
OPEN IN HINGED DOOR INSTALLATION INTO 50mm WALL PANEL

TITLE								FF25 SINGLE GLAZED INSTALL INTO 50mm PANEL	
DWN BY	DATE	REV. BY	REV. DATE	APP'D. BY	SCALE	DWG No.	REV.		
R J S	22/11/13	RTS	17-02-14		1:2		0		
COPYRIGHT © THIS DRAWING IS THE PROPERTY OF ALUMINIUM SYSTEMS LIMITED: & MUST NOT BE USED					WITHOUT EXPRESS, WRITTEN CONSENT OF THE COMPANY				



ALUMINIUM SYSTEMS LIMITED

3 Timaru Place, Mt Wellington, Auckland, 1060, NZ
P O Box 51.075, Pakuranga, Auckland, 2140, NZ
Tel + 064 9 574 2900 Fax + 064 9 574 2901



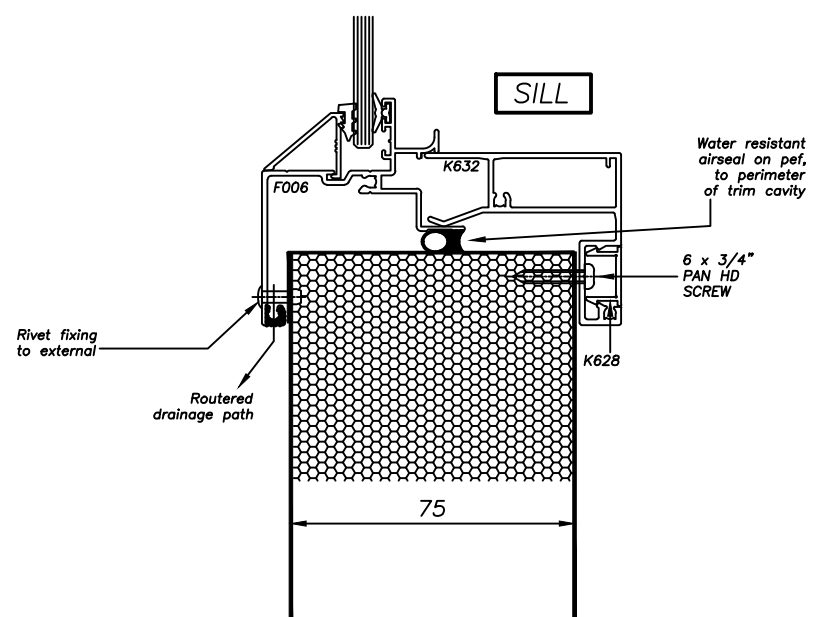
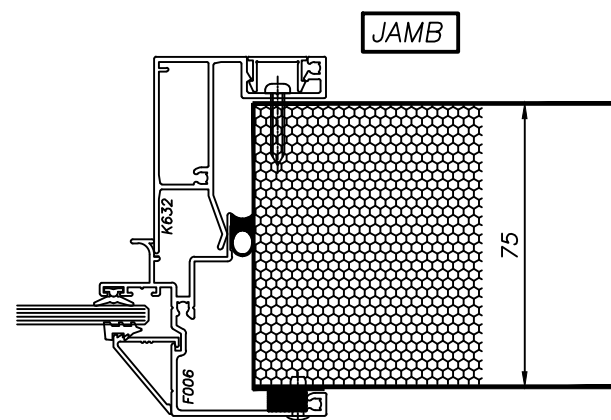
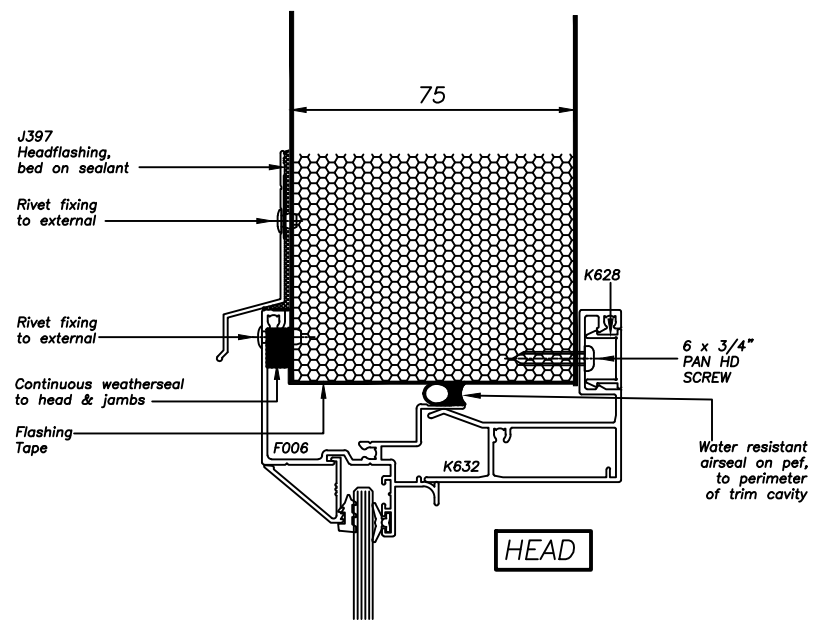
OPEN OUT HINGED DOOR
INSTALLATION INTO 50mm WALL PANEL

TITLE									
FF25 SINGLE GLAZED INSTALL INTO 50mm PANEL									
DWN BY	DATE	REV. BY	REV. DATE	APP'D. BY	SCALE	DWG No.	REV.		
R J S	22/11/13	RTS	17-02-14		1:2		0		
COPYRIGHT © THIS DRAWING IS THE PROPERTY OF ALUMINIUM SYSTEMS LIMITED: & MUST NOT BE USED WITHOUT EXPRESS, WRITTEN CONSENT OF THE COMPANY									



ALUMINIUM SYSTEMS LIMITED

3 Timaru Place, Mt Wellington, Auckland, 1060, NZ
P O Box 51.075, Pakuranga, Auckland, 2140, NZ
Tel + 064 9 574 2900 Fax + 064 9 574 2901



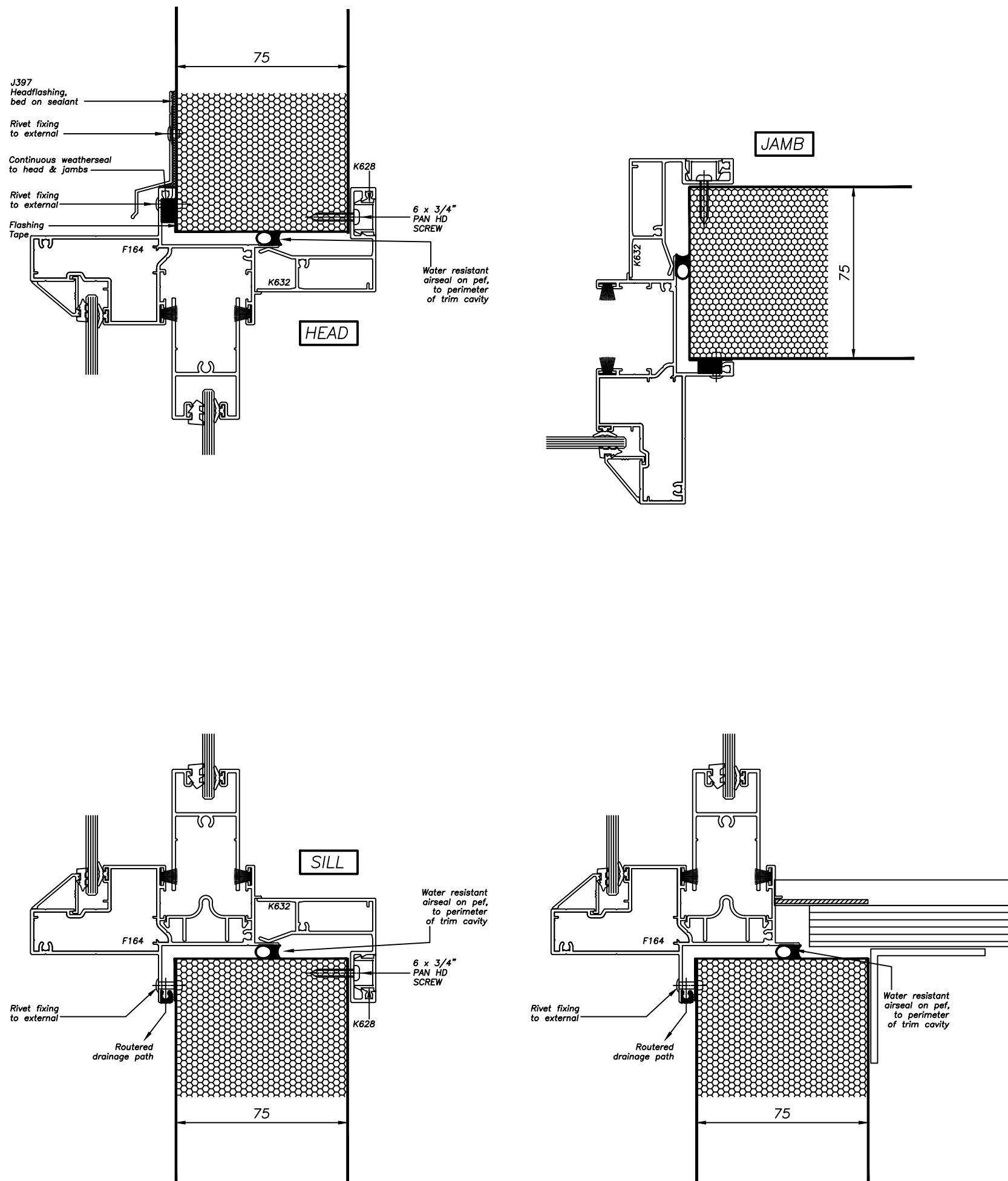
AWNING/WINDOW INSTALLATION INTO 75mm WALL PANEL

TITLE								FF25 SINGLE GLAZED INSTALL INTO 75mm PANEL	
DWN BY	DATE	REV. BY	REV. DATE	APP'D. BY	SCALE	DWG No.	REV.		
R J S	22/11/13	RTS	17-02-14		1:2		0		
COPYRIGHT © THIS DRAWING IS THE PROPERTY OF ALUMINIUM SYSTEMS LIMITED: & MUST NOT BE USED								WITHOUT EXPRESS, WRITTEN CONSENT OF THE COMPANY	



ALUMINIUM SYSTEMS LIMITED

3 Timaru Place, Mt Wellington, Auckland, 1060, NZ
 P O Box 51.075, Pakuranga, Auckland, 2140, NZ
 Tel + 064 9 574 2900 Fax + 064 9 574 2901



SLIDING WINDOW/DOOR
 INSTALLATION INTO 75mm WALL PANEL

TITLE									
FF25 SINGLE GLAZED INSTALL INTO 75mm PANEL									
DWN BY	DATE	REV. BY	REV. DATE	APP'D. BY	SCALE	DWG No.	REV.		
R J S	22/11/13	RTS	17-02-14		1:2		0		
COPYRIGHT © THIS DRAWING IS THE PROPERTY OF ALUMINIUM SYSTEMS LIMITED: & MUST NOT BE USED WITHOUT EXPRESS, WRITTEN CONSENT OF THE COMPANY									

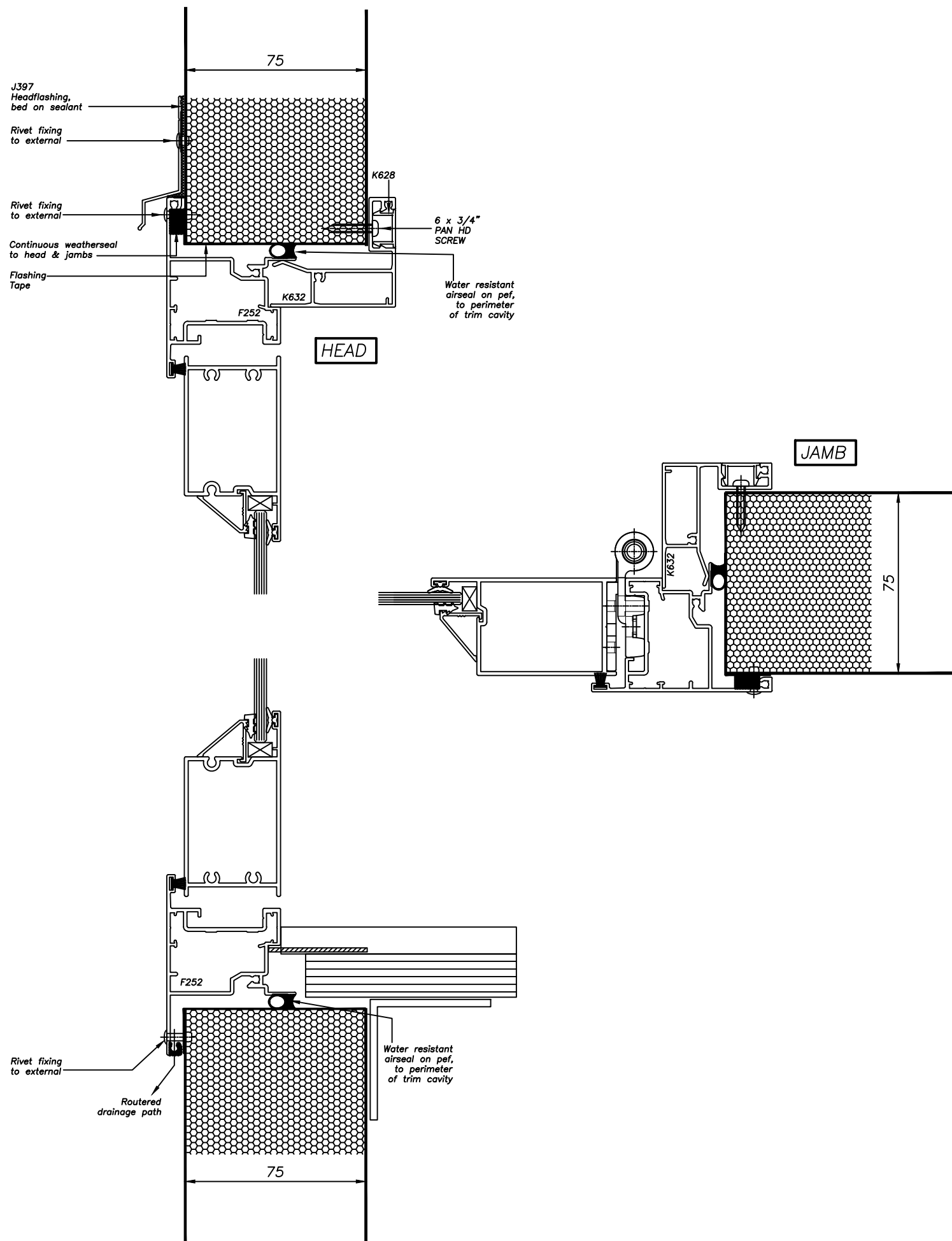


ALUMINIUM SYSTEMS LIMITED

3 Timaru Place, Mt Wellington, Auckland, 1060, NZ
P O Box 51.075, Pakuranga, Auckland, 2140, NZ
Tel + 064 9 574 2900 Fax + 064 9 574 2901



**ALUMINIUM
SYSTEMS**



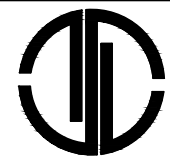
OPEN IN HINGED DOOR
INSTALLATION INTO 75mm WALL PANEL

TITLE									FF25 SINGLE GLAZED INSTALL INTO 75mm PANEL		
DWN BY	DATE	REV. BY	REV. DATE	APP'D. BY	SCALE	DWG No.	REV.				
R J S	22/11/13	RTS	17-02-14		1:2		0				
COPYRIGHT © THIS DRAWING IS THE PROPERTY OF ALUMINIUM SYSTEMS LIMITED: & MUST NOT BE USED						WITHOUT EXPRESS, WRITTEN CONSENT OF THE COMPANY					

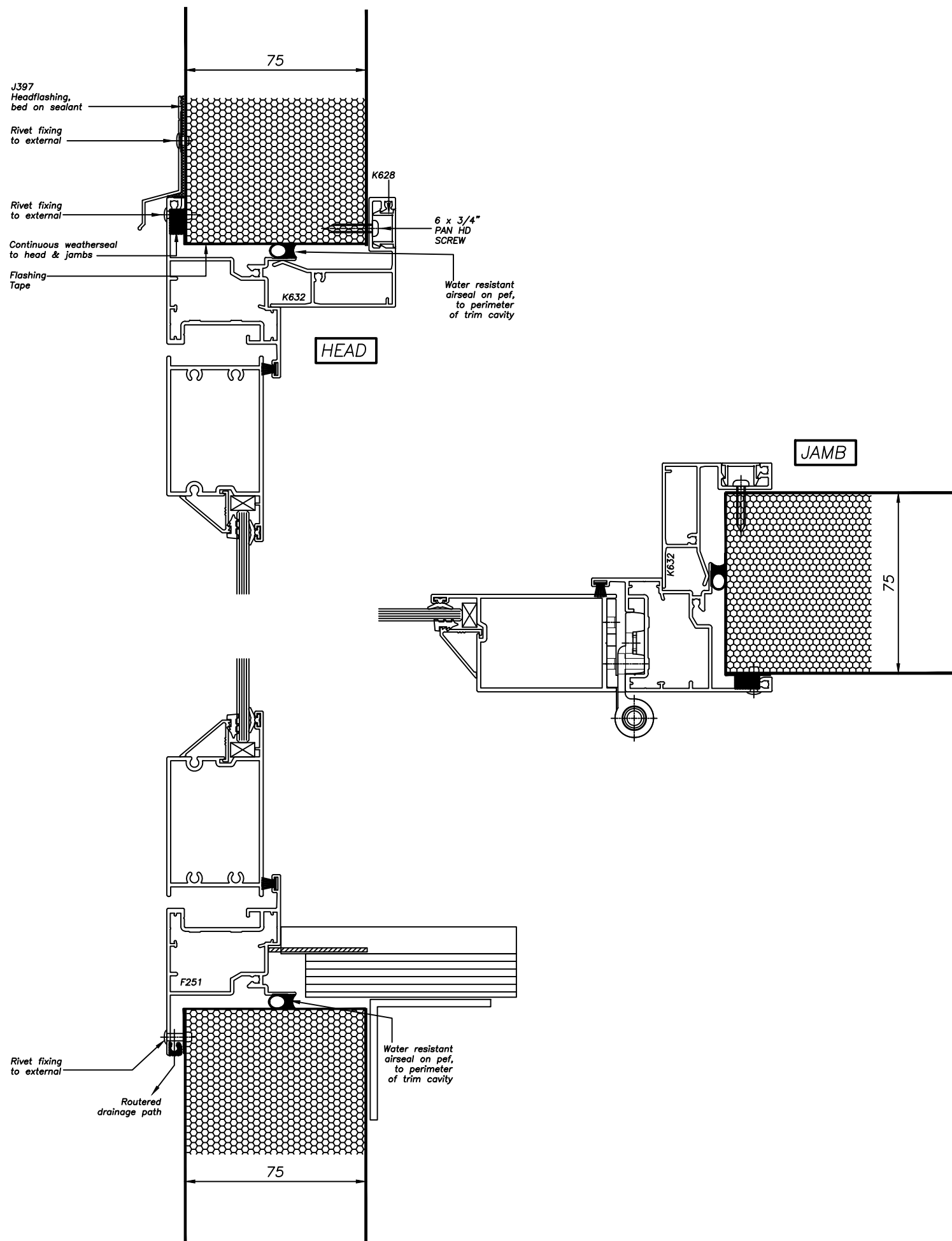


ALUMINIUM SYSTEMS LIMITED

3 Timaru Place, Mt Wellington, Auckland, 1060, NZ
P O Box 51.075, Pakuranga, Auckland, 2140, NZ
Tel + 064 9 574 2900 Fax + 064 9 574 2901



**ALUMINIUM
SYSTEMS**



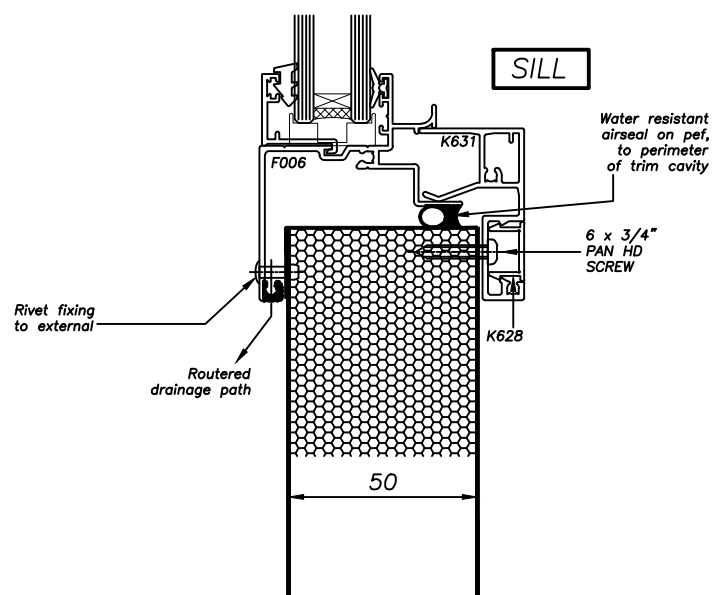
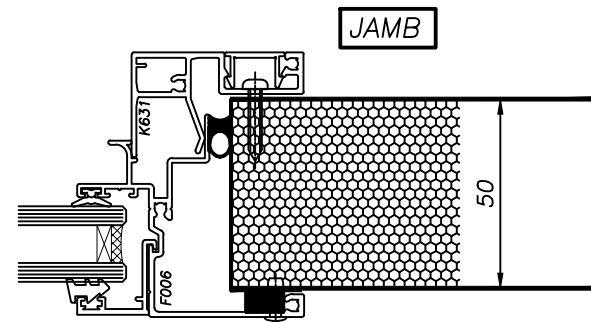
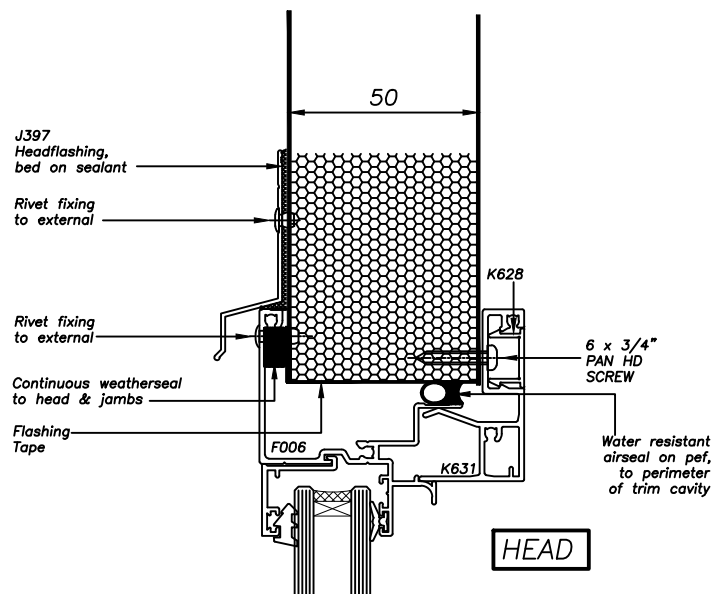
**OPEN OUT HINGED DOOR
INSTALLATION INTO 75mm WALL PANEL**

TITLE								FF25 SINGLE GLAZED INSTALL INTO 75mm PANEL	
DWN BY	DATE	REV. BY	REV. DATE	APP'D. BY	SCALE	DWG No.	REV.		
R J S	22/11/13	RTS	17-02-14		1:2		0		
COPYRIGHT © THIS DRAWING IS THE PROPERTY OF ALUMINIUM SYSTEMS LIMITED: & MUST NOT BE USED					WITHOUT EXPRESS, WRITTEN CONSENT OF THE COMPANY				



ALUMINIUM SYSTEMS LIMITED

3 Timaru Place, Mt Wellington, Auckland, 1060, NZ
P O Box 51.075, Pakuranga, Auckland, 2140, NZ
Tel + 064 9 574 2900 Fax + 064 9 574 2901



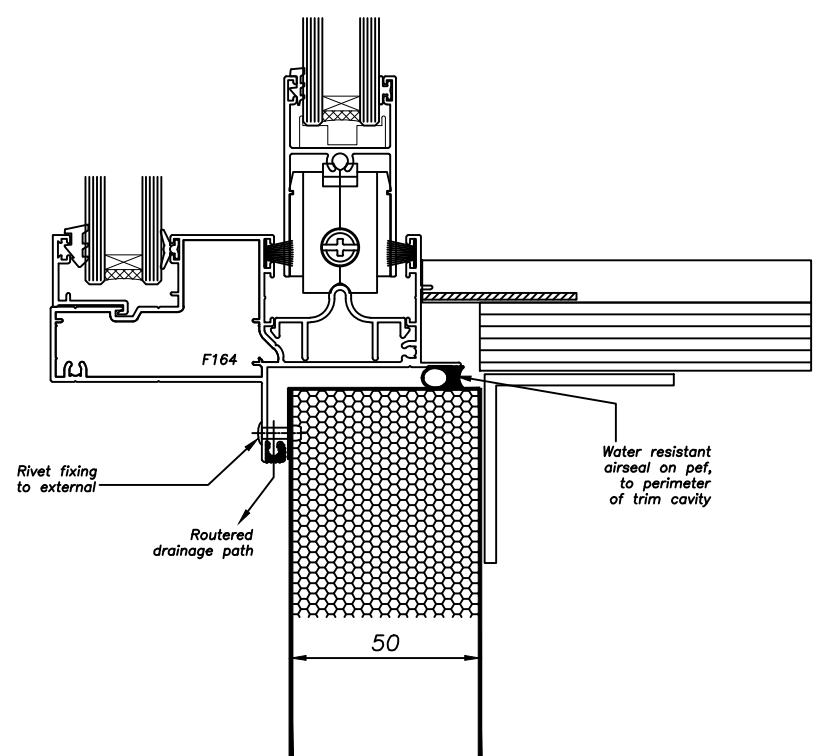
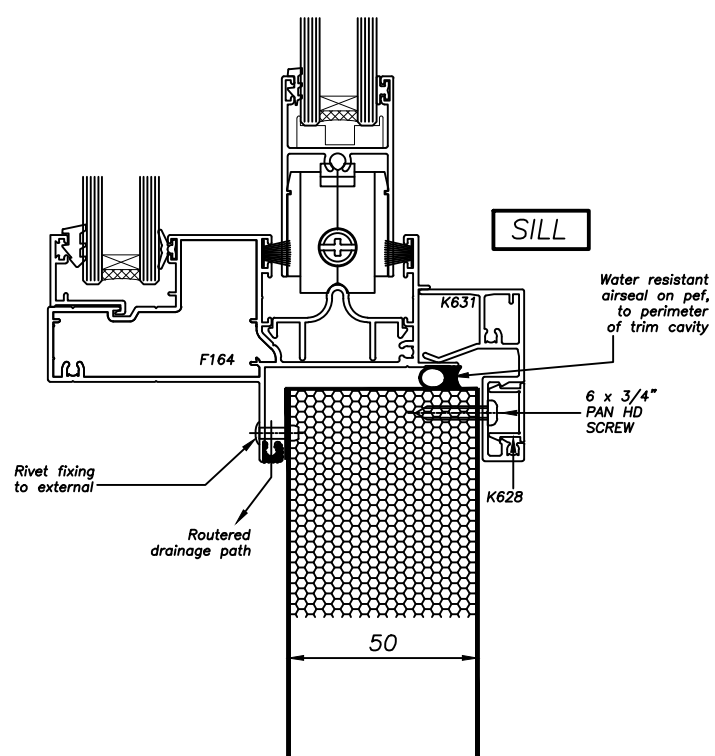
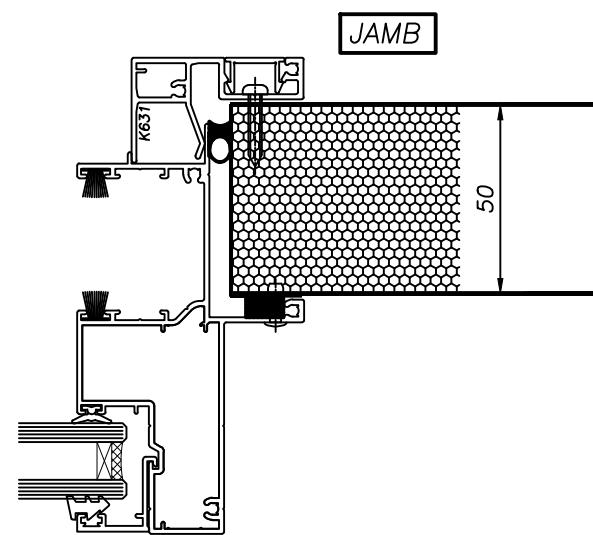
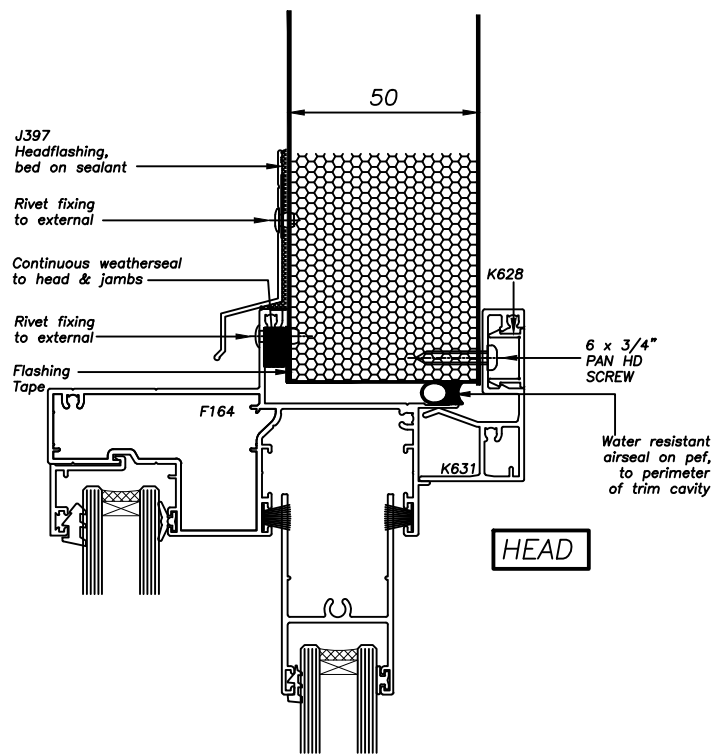
AWNING/WINDOW INSTALLATION INTO 50mm WALL PANEL

TITLE								FF25 DOUBLE GLAZED INSTALL INTO 50mm PANEL	
DWN BY	DATE	REV. BY	REV. DATE	APP'D. BY	SCALE	DWG No.	REV.		
R J S	22/11/13	RTS	17-02-14		1:2		a		
COPYRIGHT © THIS DRAWING IS THE PROPERTY OF ALUMINIUM SYSTEMS LIMITED: & MUST NOT BE USED					WITHOUT EXPRESS, WRITTEN CONSENT OF THE COMPANY				



ALUMINIUM SYSTEMS LIMITED

3 Timaru Place, Mt Wellington, Auckland, 1060, NZ
P O Box 51.075, Pakuranga, Auckland, 2140, NZ
Tel + 064 9 574 2900 Fax + 064 9 574 2901



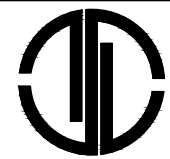
SLIDING WINDOW/DOOR INSTALLATION INTO 50mm WALL PANEL

TITLE								FF25 DOUBLE GLAZED INSTALL INTO 50mm PANEL	
DWN BY	DATE	REV. BY	REV. DATE	APP'D. BY	SCALE	DWG No.	REV.		
R J S	22/11/13	RTS	17-02-14		1:2		0		
COPYRIGHT © THIS DRAWING IS THE PROPERTY OF ALUMINIUM SYSTEMS LIMITED: & MUST NOT BE USED					WITHOUT EXPRESS, WRITTEN CONSENT OF THE COMPANY				

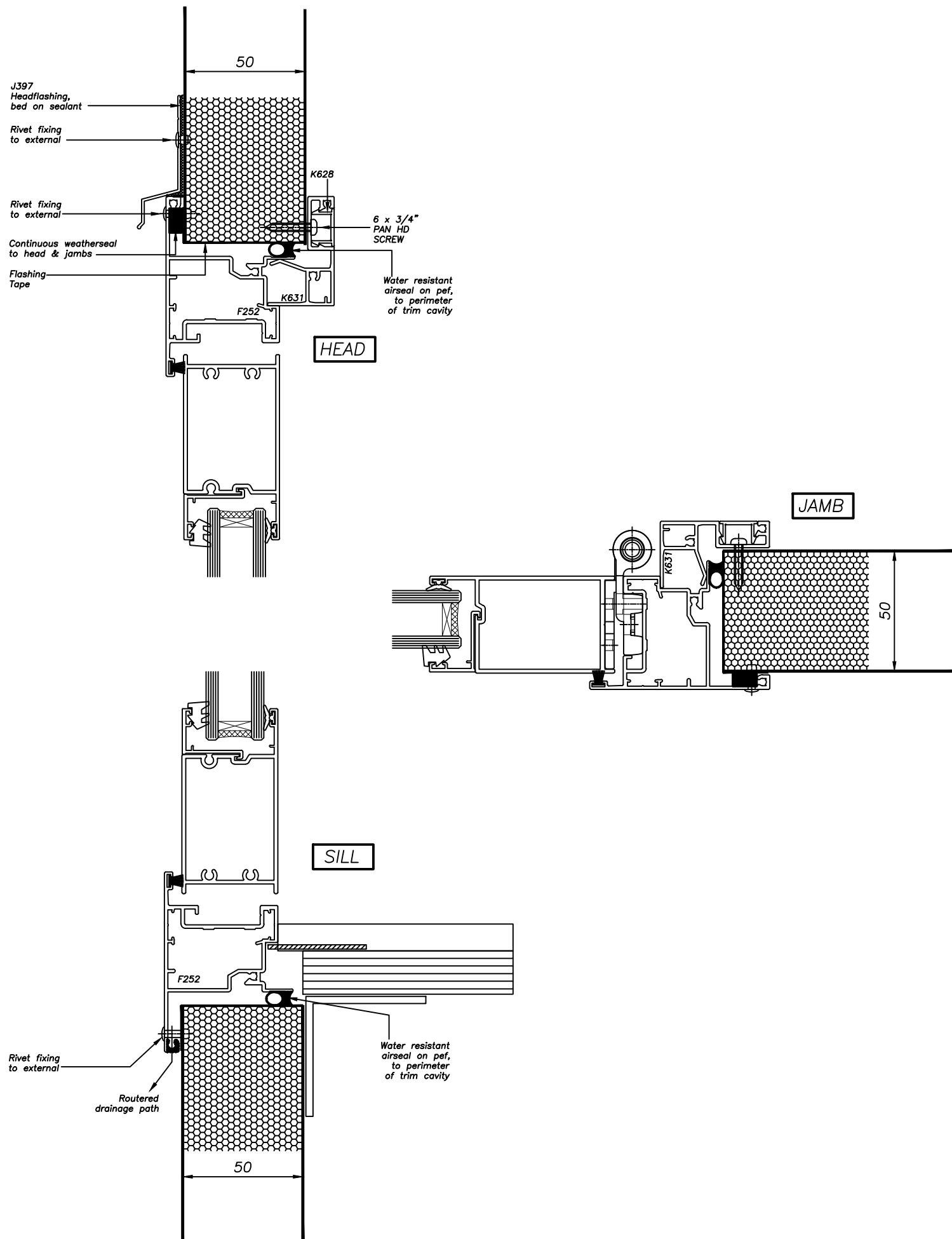


ALUMINIUM SYSTEMS LIMITED

3 Timaru Place, Mt Wellington, Auckland, 1060, NZ
P O Box 51.075, Pakuranga, Auckland, 2140, NZ
Tel + 064 9 574 2900 Fax + 064 9 574 2901



**ALUMINIUM
SYSTEMS**



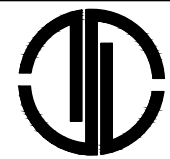
**OPEN IN HINGED DOOR
INSTALLATION INTO 50mm WALL PANEL**

TITLE									FF25 DOUBLE GLAZED INSTALL INTO 50mm PANEL								
DWN BY	DATE	REV. BY	REV. DATE	APP'D. BY	SCALE	DWG No.	REV.										
R J S	22/11/13	RTS	17-02-14		1:2		a										
COPYRIGHT © THIS DRAWING IS THE PROPERTY OF ALUMINIUM SYSTEMS LIMITED: & MUST NOT BE USED												WITHOUT EXPRESS, WRITTEN CONSENT OF THE COMPANY					

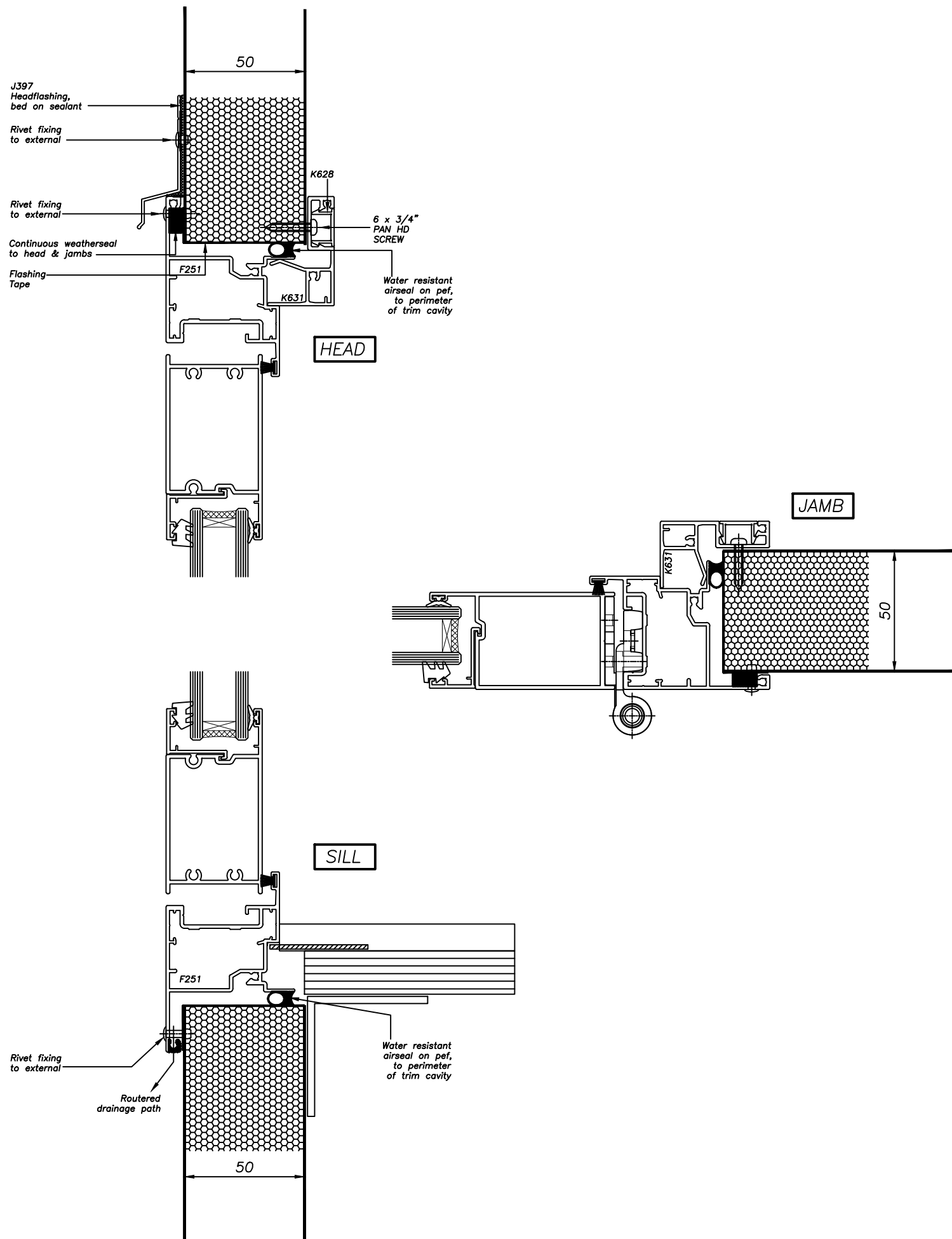


ALUMINIUM SYSTEMS LIMITED

3 Timaru Place, Mt Wellington, Auckland, 1060, NZ
P O Box 51.075, Pakuranga, Auckland, 2140, NZ
Tel + 064 9 574 2900 Fax + 064 9 574 2901



**ALUMINIUM
SYSTEMS**



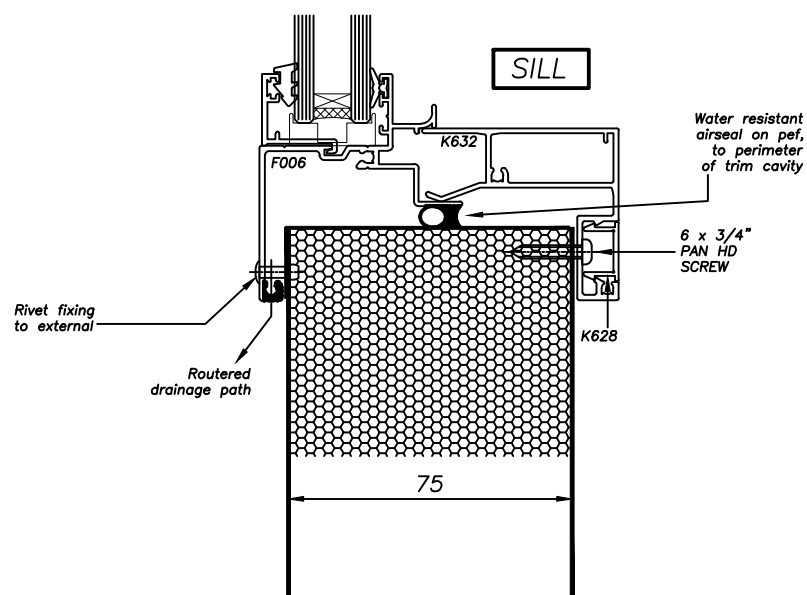
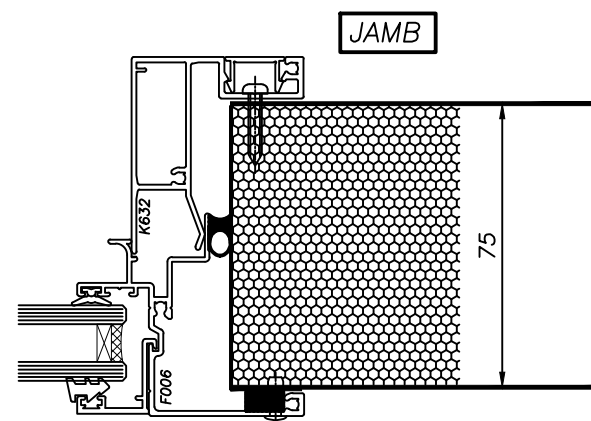
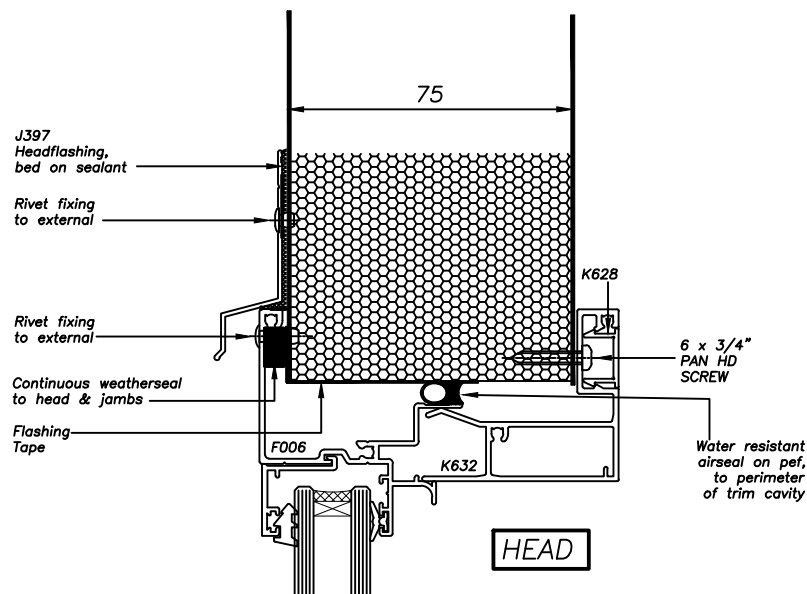
OPEN OUT HINGED DOOR
INSTALLATION INTO 50mm WALL PANEL

TITLE								FF25 DOUBLE GLAZED INSTALL INTO 50mm PANEL							
DWN BY	DATE	REV. BY	REV. DATE	APP'D. BY	SCALE	DWG No.	REV.	DWN BY	DATE	REV. BY	REV. DATE	APP'D. BY	SCALE	DWG No.	REV.
R J S	22/11/13	RTS	17-02-14		1:2		0	R J S	22/11/13	RTS	17-02-14		1:2		0
COPYRIGHT © THIS DRAWING IS THE PROPERTY OF ALUMINIUM SYSTEMS LIMITED: & MUST NOT BE USED WITHOUT EXPRESS, WRITTEN CONSENT OF THE COMPANY															



ALUMINIUM SYSTEMS LIMITED

3 Timaru Place, Mt Wellington, Auckland, 1060, NZ
P O Box 51.075, Pakuranga, Auckland, 2140, NZ
Tel + 064 9 574 2900 Fax + 064 9 574 2901



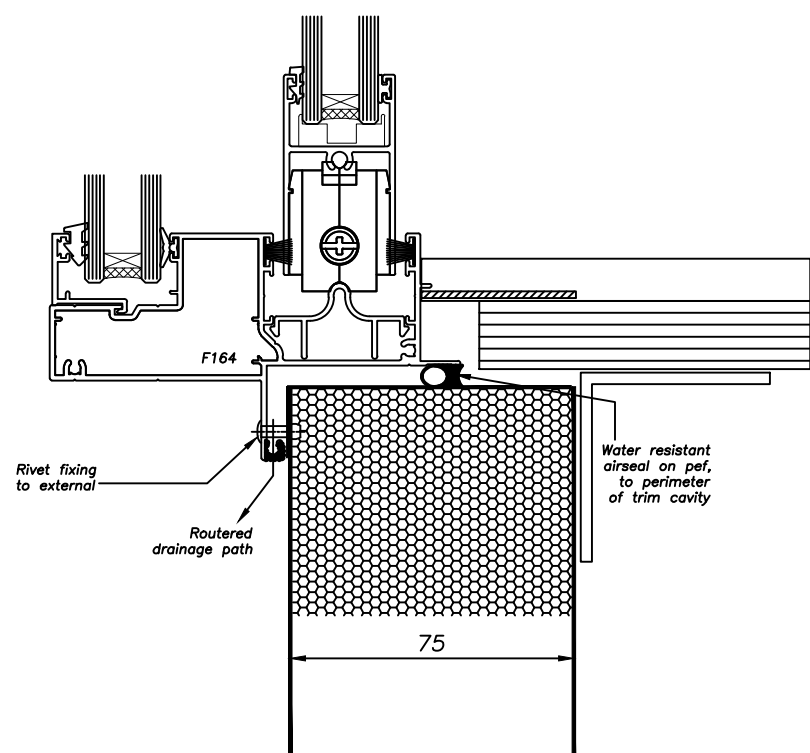
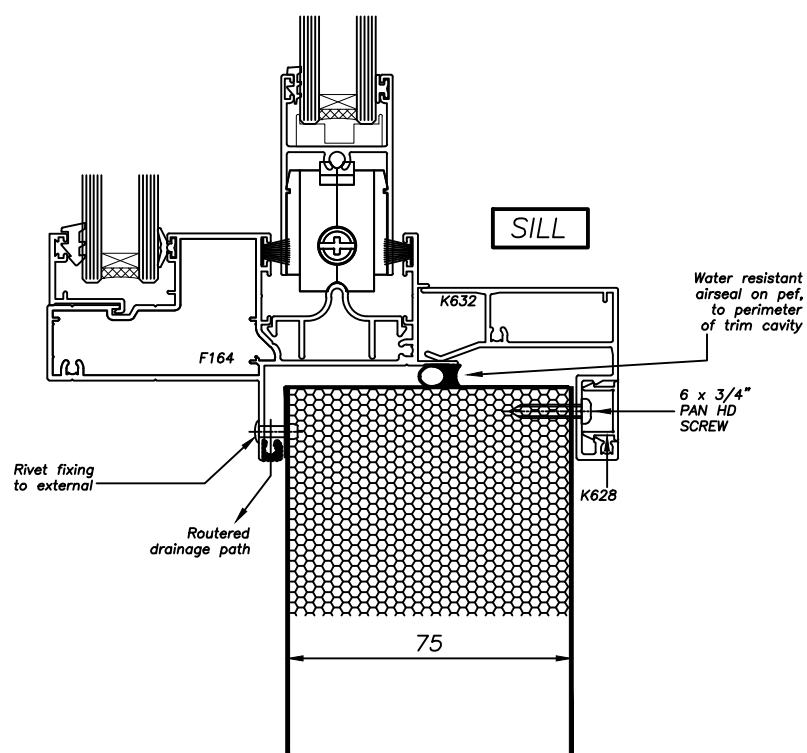
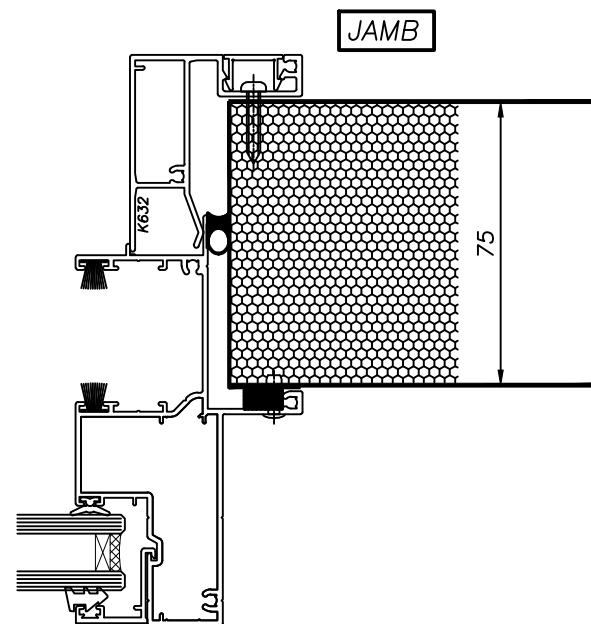
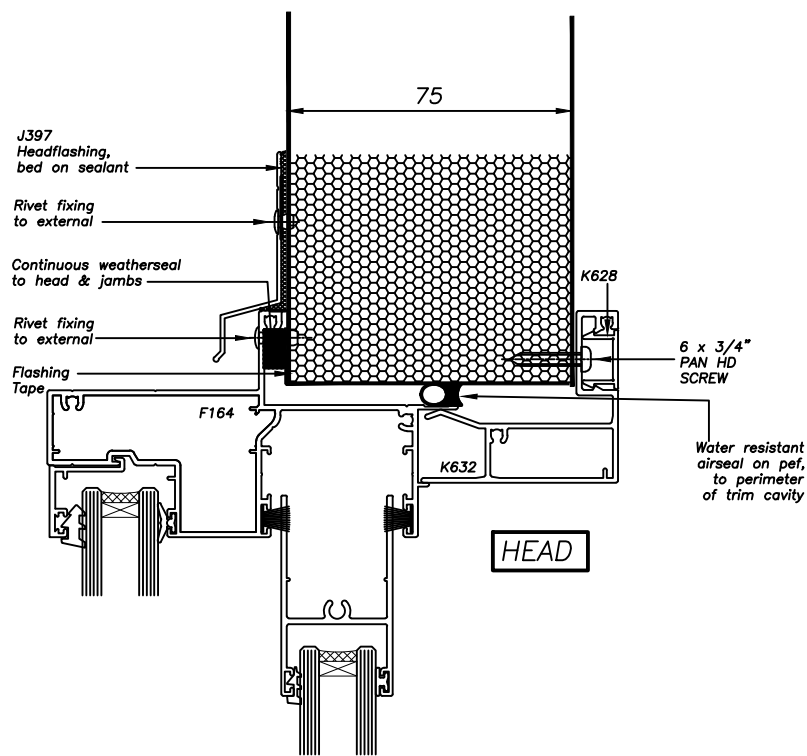
AWNING/WINDOW INSTALLATION INTO 75mm WALL PANEL

TITLE								FF25 DOUBLE GLAZED INSTALL INTO 75mm PANEL	
DWN BY	DATE	REV. BY	REV. DATE	APP'D. BY	SCALE	DWG No.	REV.		
R J S	22/11/13	RTS	17-02-14		1:2		0		
COPYRIGHT © THIS DRAWING IS THE PROPERTY OF ALUMINIUM SYSTEMS LIMITED: & MUST NOT BE USED								WITHOUT EXPRESS, WRITTEN CONSENT OF THE COMPANY	



ALUMINIUM SYSTEMS LIMITED

3 Timaru Place, Mt Wellington, Auckland, 1060, NZ
P O Box 51.075, Pakuranga, Auckland, 2140, NZ
Tel + 064 9 574 2900 Fax + 064 9 574 2901



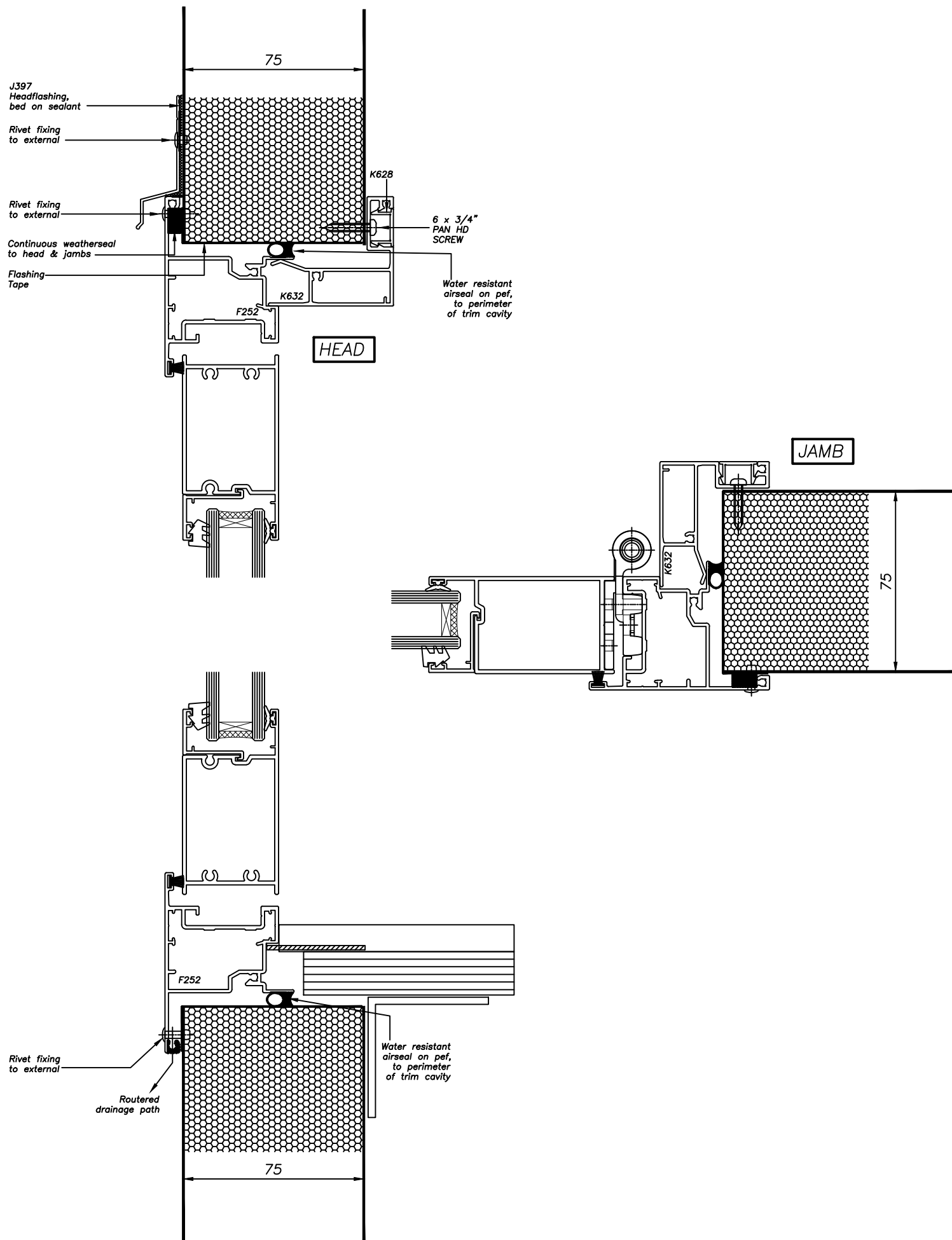
SLIDING WINDOW/DOOR INSTALLATION INTO 75mm WALL PANEL

TITLE								FF25 DOUBLE GLAZED INSTALL INTO 75mm PANEL							
DWN BY	DATE	REV. BY	REV. DATE	APP'D. BY	SCALE	DWG No.	REV.								
R J S	22/11/13	RTS	17-02-14		1:2		0								
COPYRIGHT © THIS DRAWING IS THE PROPERTY OF ALUMINIUM SYSTEMS LIMITED: & MUST NOT BE USED												WITHOUT EXPRESS, WRITTEN CONSENT OF THE COMPANY			



ALUMINIUM SYSTEMS LIMITED

3 Timaru Place, Mt Wellington, Auckland, 1060, NZ
P O Box 51.075, Pakuranga, Auckland, 2140, NZ
Tel + 064 9 574 2900 Fax + 064 9 574 2901



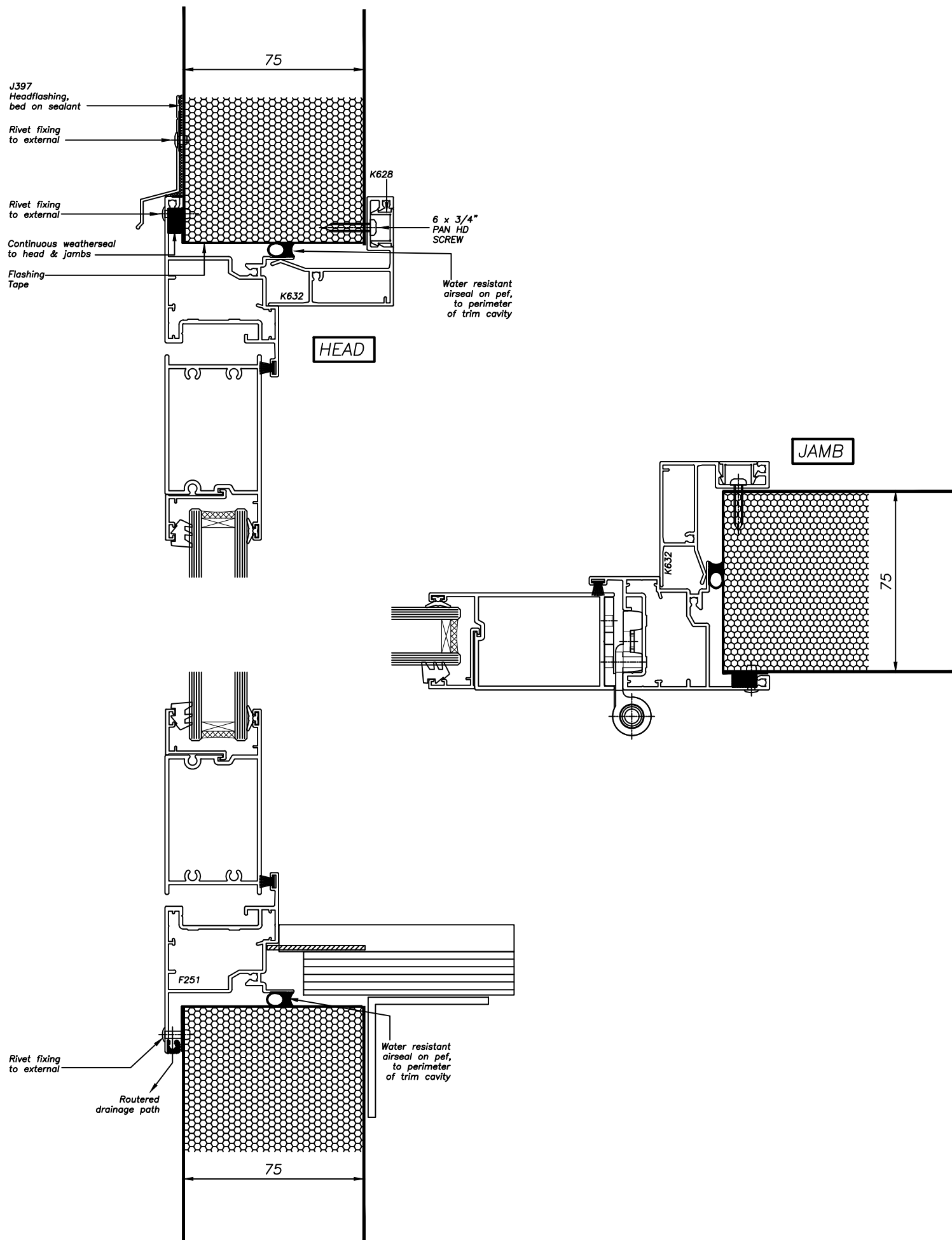
OPEN IN HINGED DOOR INSTALLATION INTO 75mm WALL PANEL

TITLE								FF25 DOUBLE GLAZED INSTALL INTO 75mm PANEL							
DWN BY	DATE	REV. BY	REV. DATE	APP'D. BY	SCALE	DWG No.	REV.	DWN BY	DATE	REV. BY	REV. DATE	APP'D. BY	SCALE	DWG No.	REV.
R J S	22/11/13	RTS	17-02-14		1:2		0	R J S	22/11/13	RTS	17-02-14		1:2		0
COPYRIGHT © THIS DRAWING IS THE PROPERTY OF ALUMINIUM SYSTEMS LIMITED: & MUST NOT BE USED WITHOUT EXPRESS, WRITTEN CONSENT OF THE COMPANY															



ALUMINIUM SYSTEMS LIMITED

3 Timaru Place, Mt Wellington, Auckland, 1060, NZ
P O Box 51.075, Pakuranga, Auckland, 2140, NZ
Tel + 064 9 574 2900 Fax + 064 9 574 2901



OPEN OUT HINGED DOOR
INSTALLATION INTO 75mm WALL PANEL

TITLE									FF25 DOUBLE GLAZED INSTALL INTO 75mm PANEL								
DWN BY	DATE	REV. BY	REV. DATE	APP'D. BY	SCALE	DWG No.	REV.										
R J S	22/11/13	RTS	17-02-14		1:2		0										
COPYRIGHT © THIS DRAWING IS THE PROPERTY OF ALUMINIUM SYSTEMS LIMITED: & MUST NOT BE USED WITHOUT EXPRESS, WRITTEN CONSENT OF THE COMPANY																	