

# MS TOPHATS FLOOR JOIST SPANS

## SINGLE SPAN AND DOUBLE SPAN

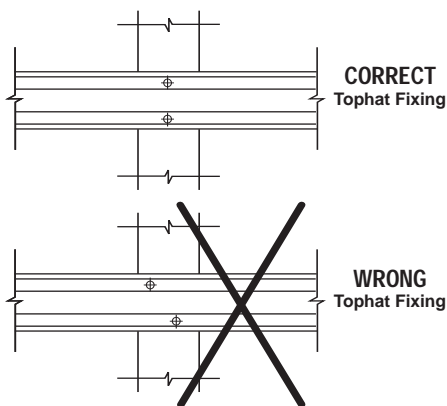


Code	Spacing					
	400		450		600	
	Single	Double	Single	Double	Single	Double
60 MS Tophat 0.75 BMT	1.05	1.25	1.00	1.20	0.95	1.10
60 MS Tophat 0.95 BMT	1.15	1.35	1.10	1.30	1.05	1.20
100 MS Tophat 0.75 BMT	1.80	2.20	1.75	2.05	1.65	1.90
100 MS Tophat 0.95 BMT	2.00	2.40	1.90	2.25	1.80	2.05
120 MS Tophat 0.75 BMT	2.20	2.60	2.10	2.45	1.90	2.20
120 MS Tophat 0.95 BMT	2.40	2.90	2.30	2.70	2.10	2.40
150 MS Tophat 0.95 BMT	2.90	3.60	2.80	3.30	2.50	2.90
150 MS Tophat 1.15 BMT	3.20	3.90	3.00	3.60	2.70	3.20
150 MS Tophat 1.55 BMT	3.60	4.30	3.40	4.10	3.00	3.60

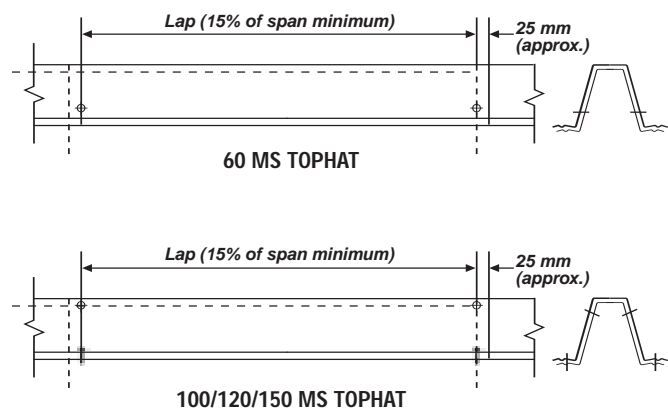
Spans are based on limiting floor vibrations and are capable of carrying live loads of at least 4kPa

## FIXING DETAILS & ASSEMBLY EXAMPLES

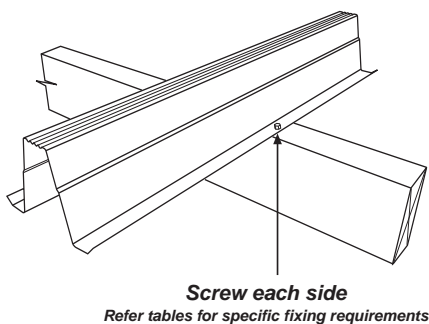
### FIXING TO SUPPORT DETAIL



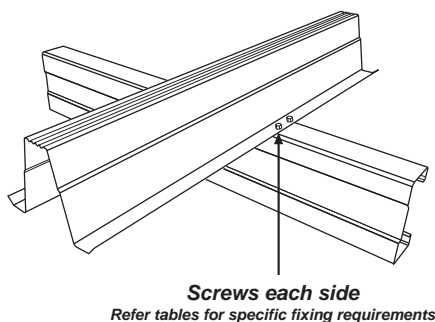
### TYPICAL FIXING – LAPPED SECTION



### TIMBER/STEEL TYPICAL SCREWED FIXINGS



### COLD FORMED TYPICAL SCREWED FIXINGS (Steel / Timber and Cold Formed)



### STRAPPED FIXING

