

## 4.1 - C Series 45

### Suite overview

Potter Interior Systems new series of partitioning systems incorporates a number of new design elements and is still interchangeable with the old.

Potters have consulted architects, designers, builders and glazing companies and have designed an aluminium system to suit all design and budget requirements.

C Series 45 is used as a commodity system when the budget is a factor but can also be designed into the A Series for a slimmer look.

The system has the following options available:

- Standard glazing profile of 45mm wide x 25mm high.
- Standard wall size based around 64mm or 92mm steel stud with one layer of plaster board each side.
- Can accommodate glass thicknesses between 6mm - 12.38mm max
- Door thicknesses between 38mm - 50mm max can be used.
- Can be fixed to standard openings or fixed to 105 or 132 series head/sill track.

### Specification

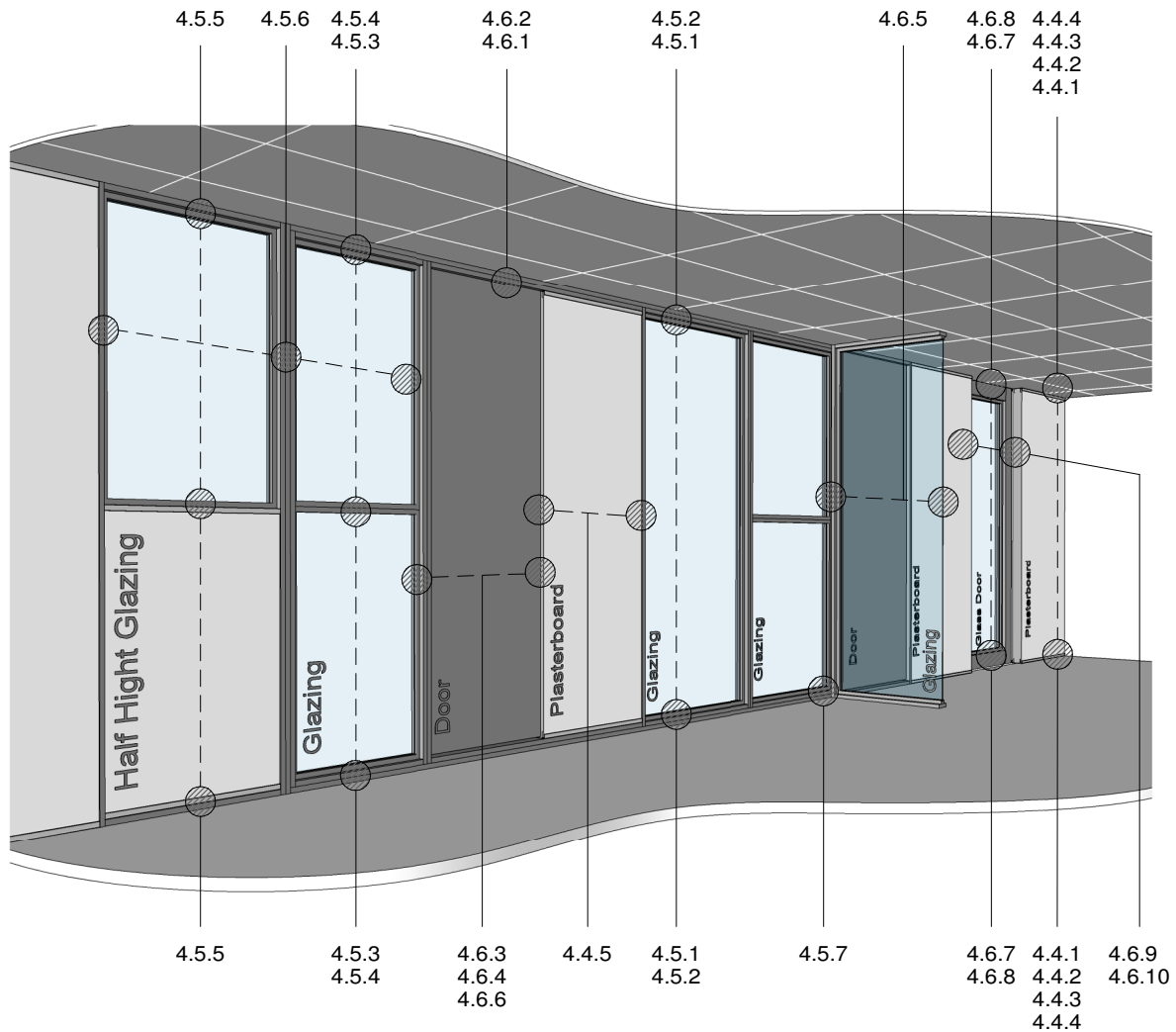
The Masterspec branded section 5211PP POTTER ALUMINIUM INTERNAL PARTITIONS is available for download from the following resources.

[www.masterspec.co.nz](http://www.masterspec.co.nz)

[www.potters.co.nz](http://www.potters.co.nz)

[www.eboss.co.nz](http://www.eboss.co.nz)

[www.productspec.co.nz](http://www.productspec.co.nz)



**TIPS FOR ARCHITECTS AND DESIGNERS:  
TYPICAL FOR ALL SUITES**

- 6MM - 12.38MM MAXIMUM LAMINATED GLASS SIZE
- 13MM PLASTERBOARD ONLY
- 105MM PROFILES = 64MM STUD
- 132MM PROFILES = 92MM STUD
- FOR SOUND TRANSMISSION CLASS POINTS (STC) REFER TO THE POTTERS WEBSITE [WWW.POTTERS.CO.NZ](http://WWW.POTTERS.CO.NZ) IN THE "PARTITIONING" SECTION

**POTTER ALUMINIUM SYSTEMS  
C SERIES 45 DETAIL REFERENCES**

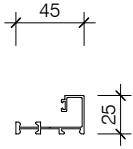
**4.2.1**  
SHEET

SCALE

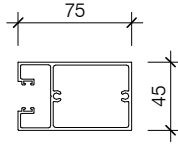
10/01/2011  
ISSUED DATE

0800 POTTER (0800 768 837) [WWW.POTTERS.CO.NZ](http://WWW.POTTERS.CO.NZ)  
DETAILS SUBJECT TO CHANGE WITHOUT NOTICE

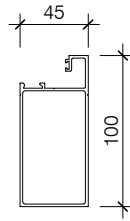
**CSR**



**PAS004**  
45 GLAZING  
MULLION/SILL



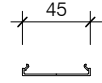
**PAS004/GP**  
45 GLAZING/75MM  
CORNER POST



**PAS004/100GP**  
45 GLAZING/100MM  
CORNER POST



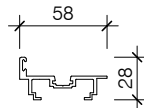
**PAS005**  
45 GLAZING BEAD



**PAS006**  
45 FRAME COVER



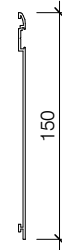
**PAS007**  
45 DOORJAMB SUITS  
DOORS TO 40MM  
THICK



**PAS008**  
45 DOORJAMB SUITS  
DOORS TO 50MM  
THICK



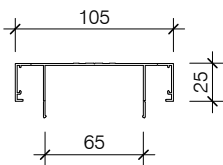
**PAS009**  
100MM SKIRTING



**PAS009/B**  
150MM SKIRTING



**PAS009/35**  
35mm CLIP ON  
SKIRTING



**PAS010/R**  
64mm CAPPING  
HEAD/FRAME



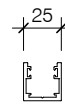
**PAS012**  
25 EXTENDER TRACK



**PAS044**  
25 GLAZING  
CHANNEL FRAME



**PAS045**  
25 GLAZING  
CHANNEL BEAD



**PAS046**  
25 GLAZING  
CHANNEL



**PASACC CLIP**

## POTTER ALUMINIUM SYSTEMS C SERIES 45 STANDARD SUITE PROFILES

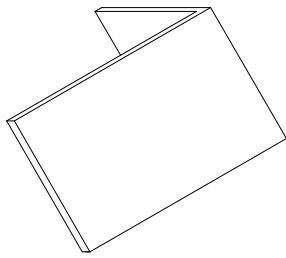
**4.3.1**  
SHEET

1 : 5 @ A4  
SCALE

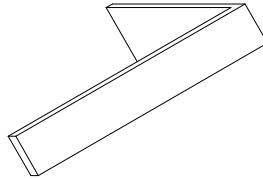
10/01/2011  
ISSUED DATE

0800 POTTER (0800 768 837) WWW.POTTERS.CO.NZ  
DETAILS SUBJECT TO CHANGE WITHOUT NOTICE

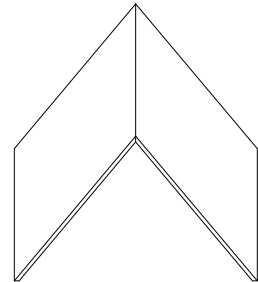




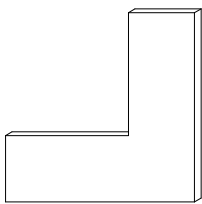
STAKE/1



STAKE/3



STAKE/8



STAKE/6



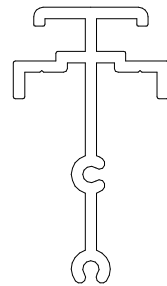
STAKE/7



PVC SKIRTING INFILL


 UNIVERSAL  
 JAMBSEAL


JAMBSEAL INFILL


 ACE CAPTIVE  
 WEDGE

 GLAZING POST  
 SPIGOT

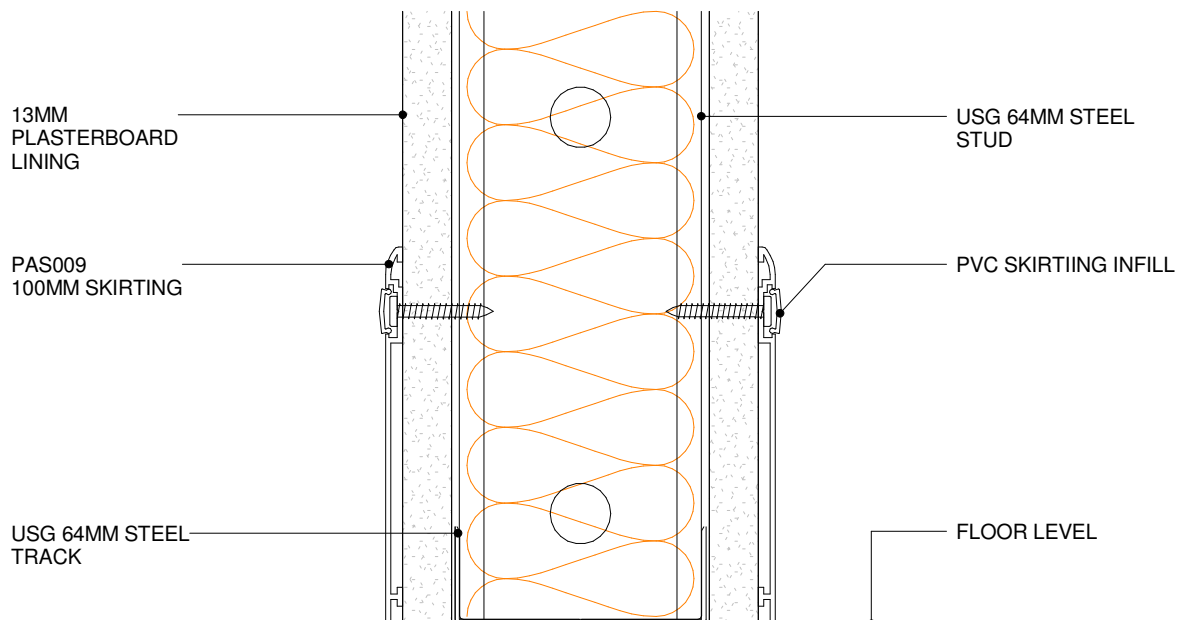
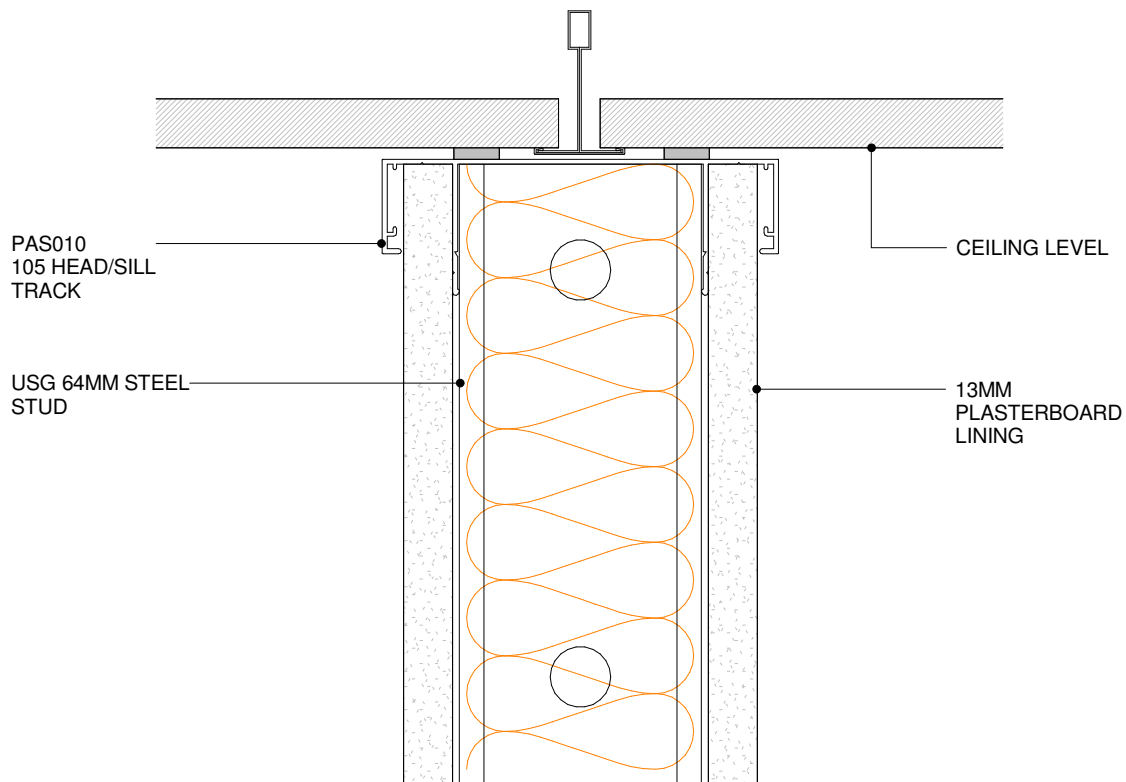
**POTTER ALUMINIUM SYSTEMS  
 C SERIES 45 ACCESSORIES**
**4.3.2**  
 SHEET

 1 : 2 @ A4  
 SCALE

 10/01/2011  
 ISSUED DATE

 0800 POTTER (0800 768 837) WWW.POTTERS.CO.NZ  
 DETAILS SUBJECT TO CHANGE WITHOUT NOTICE

**CSR**



**POTTER ALUMINIUM SYSTEMS**  
**C SERIES 45 - STEEL STUD WALL**  
**CROSS SECTION**

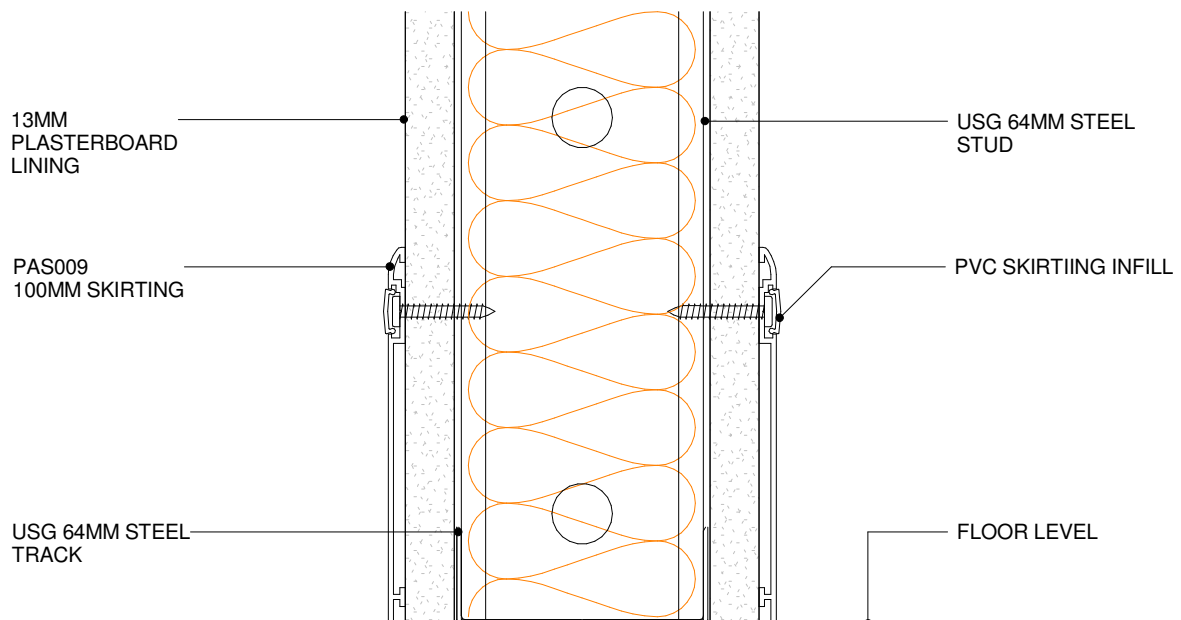
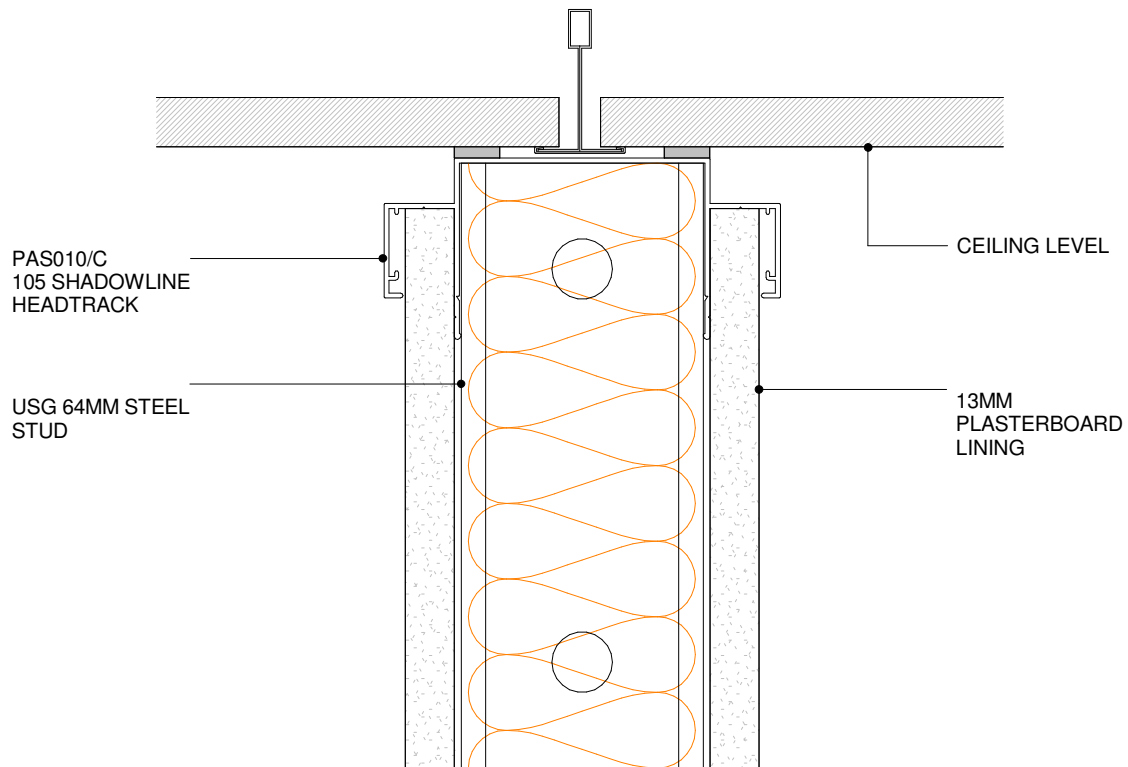
**4.4.1**  
SHEET

1 : 2 @ A4  
SCALE

10/01/2011  
ISSUED DATE

0800 POTTER (0800 768 837) WWW.POTTERS.CO.NZ  
 DETAILS SUBJECT TO CHANGE WITHOUT NOTICE


**CSR**



**POTTER ALUMINIUM SYSTEMS**  
**C SERIES 45 - SHADOWLINE STEEL STUD WALL**  
**CROSS SECTION**

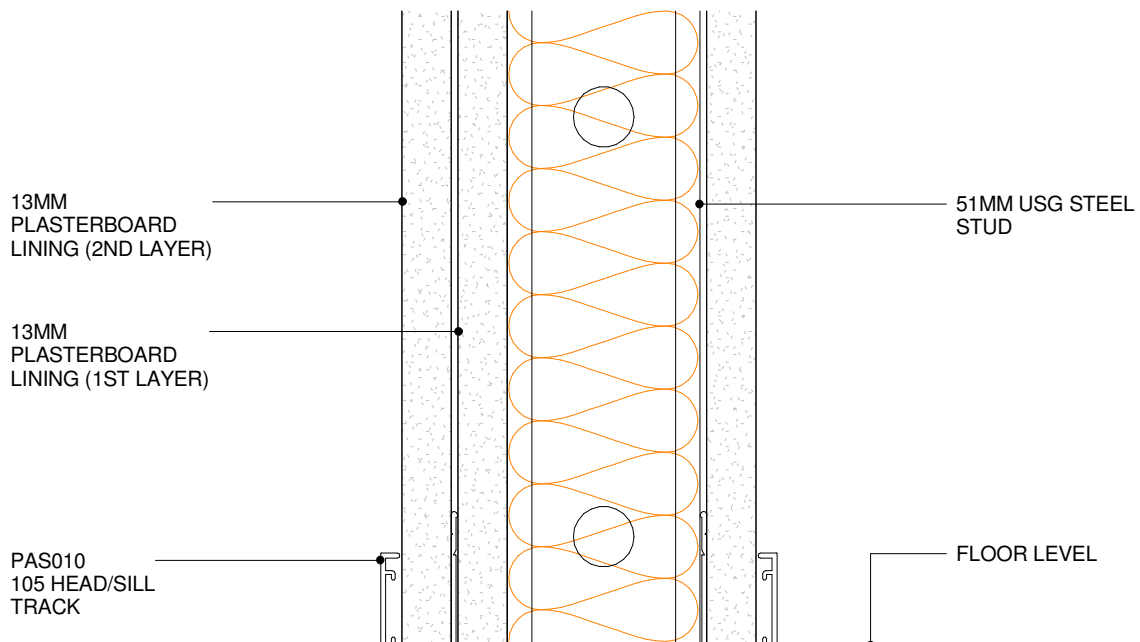
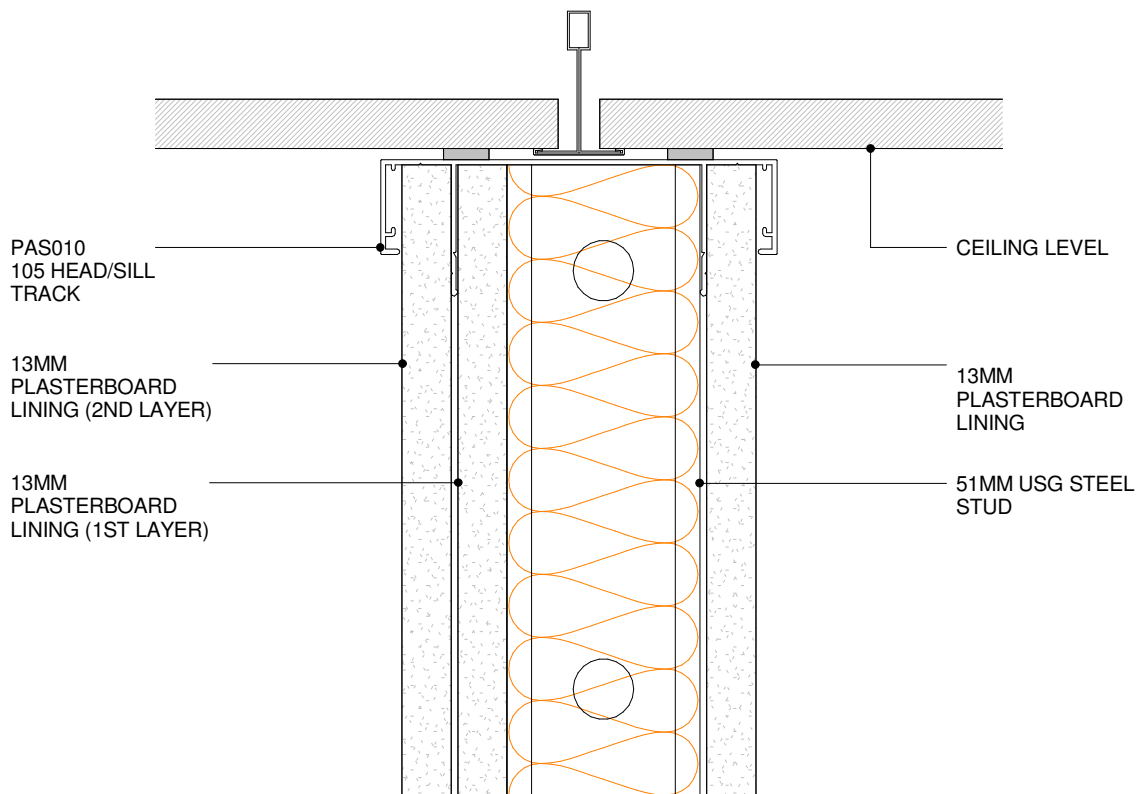
**4.4.2**  
SHEET

1 : 2 @ A4  
SCALE

10/01/2011  
ISSUED DATE

0800 POTTER (0800 768 837) WWW.POTTERS.CO.NZ  
DETAILS SUBJECT TO CHANGE WITHOUT NOTICE





**POTTER ALUMINIUM SYSTEMS**  
**C SERIES 45 - STEEL STUD WALL ALTERNATIVE**  
**CROSS SECTION**

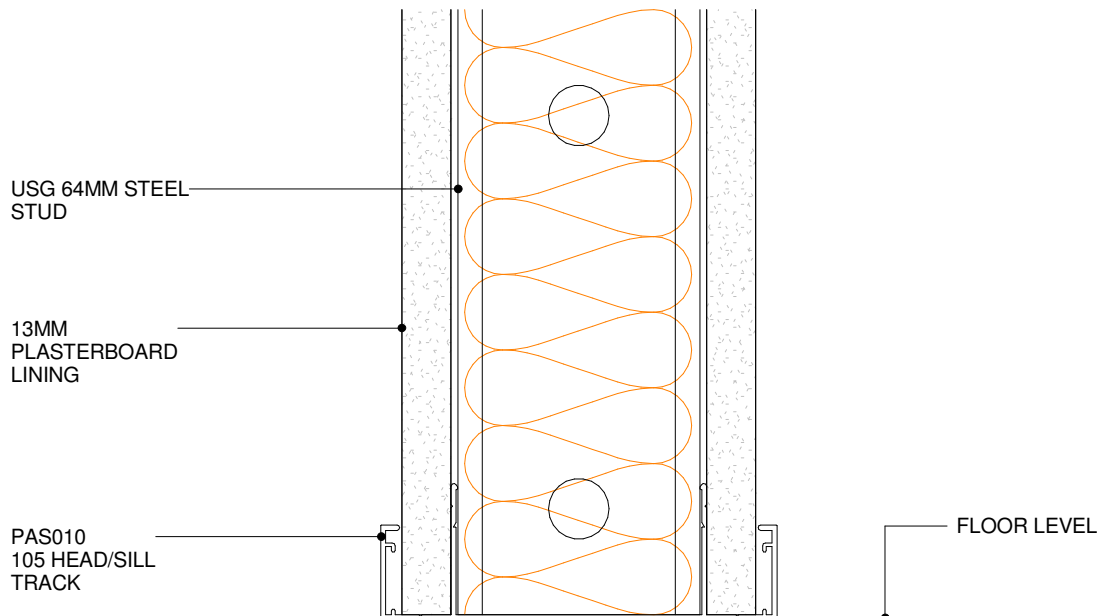
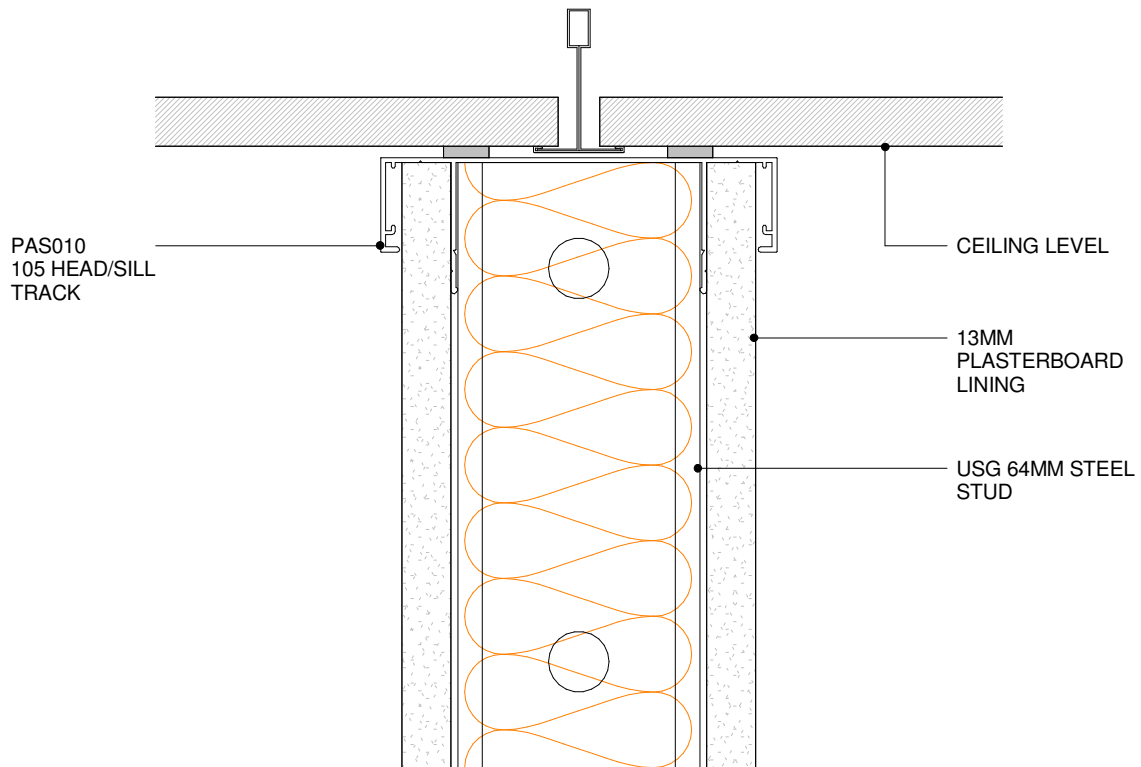
**4.4.3**  
SHEET

1 : 2 @ A4  
SCALE

10/01/2011  
ISSUED DATE

0800 POTTER (0800 768 837) WWW.POTTERS.CO.NZ  
 DETAILS SUBJECT TO CHANGE WITHOUT NOTICE





**POTTER ALUMINIUM SYSTEMS**  
**C SERIES 45 - STEEL STUD WALL ALTERNATIVE 2**  
**CROSS SECTION**

**4.4.4**  
SHEET

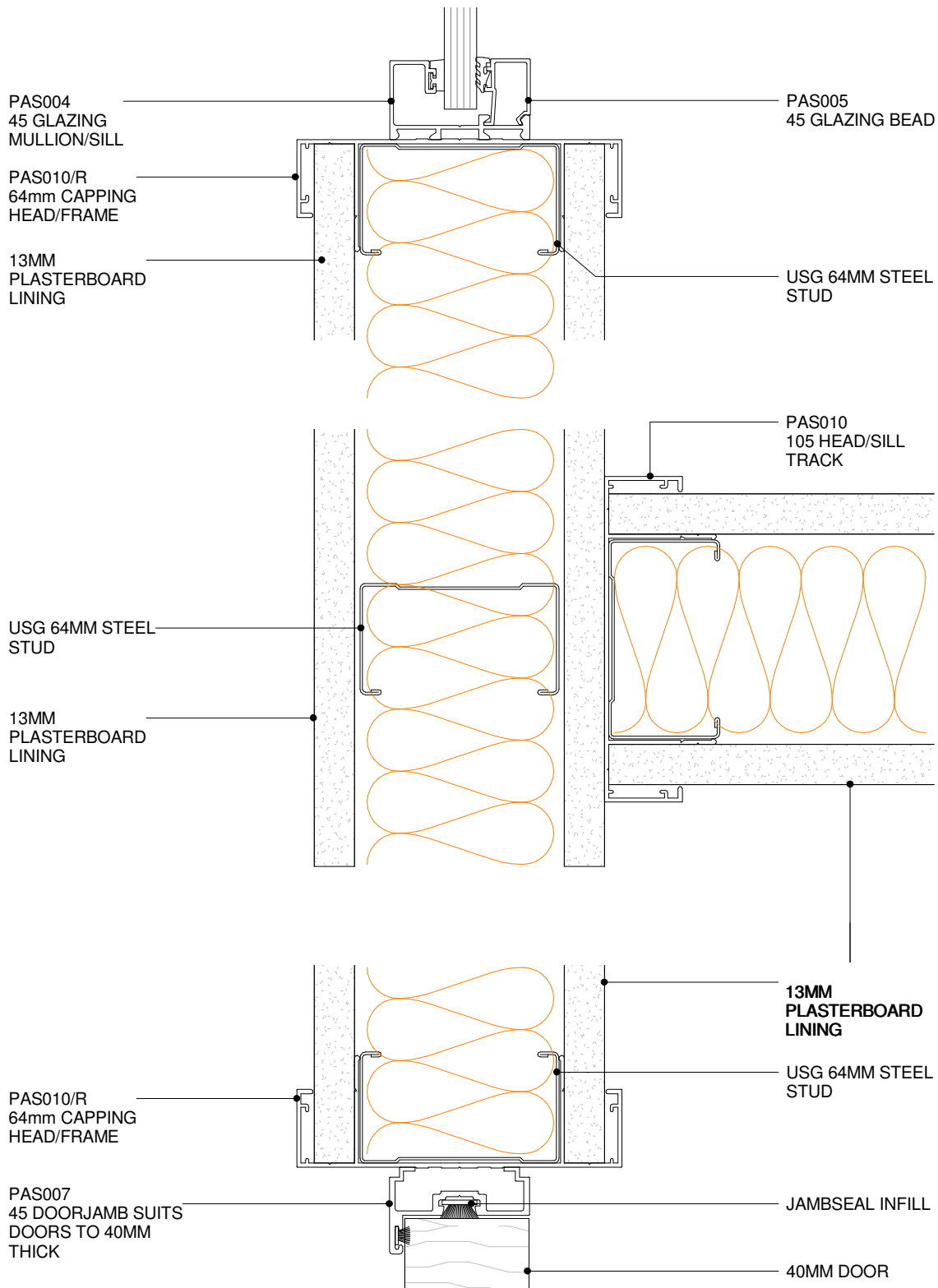
1 : 2 @ A4  
SCALE

10/01/2011  
ISSUED DATE

0800 POTTER (0800 768 837) WWW.POTTERS.CO.NZ  
DETAILS SUBJECT TO CHANGE WITHOUT NOTICE

**CSR**





**POTTER ALUMINIUM SYSTEMS**  
**C SERIES 45 - WALL INTERSECTION**  
**PLAN VIEW**

**4.4.5**

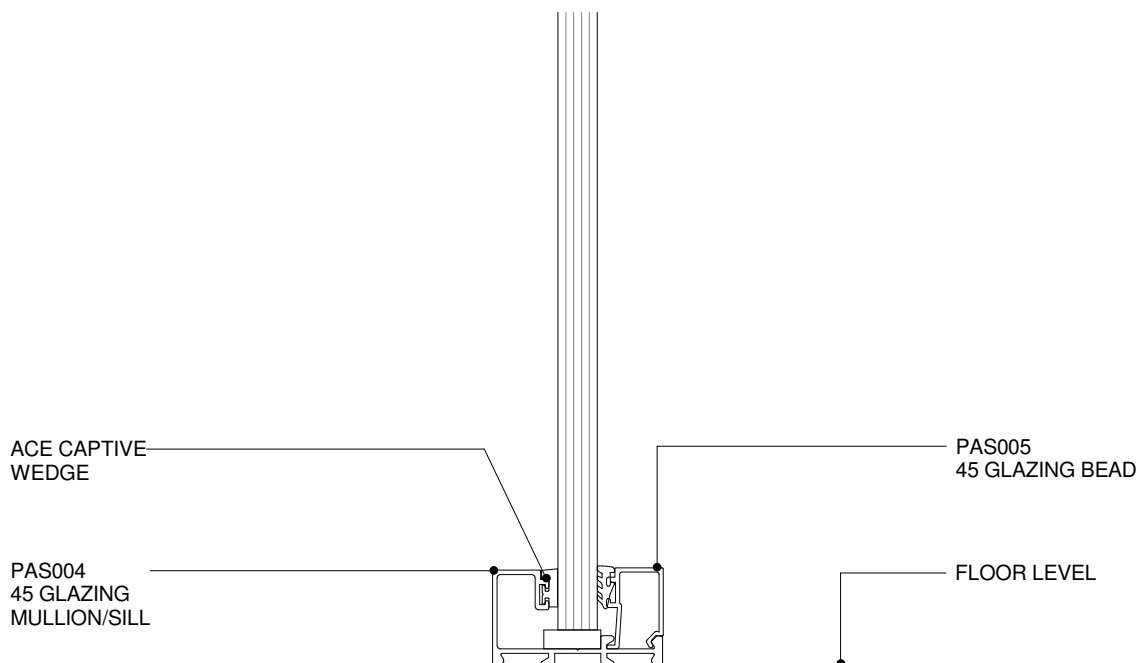
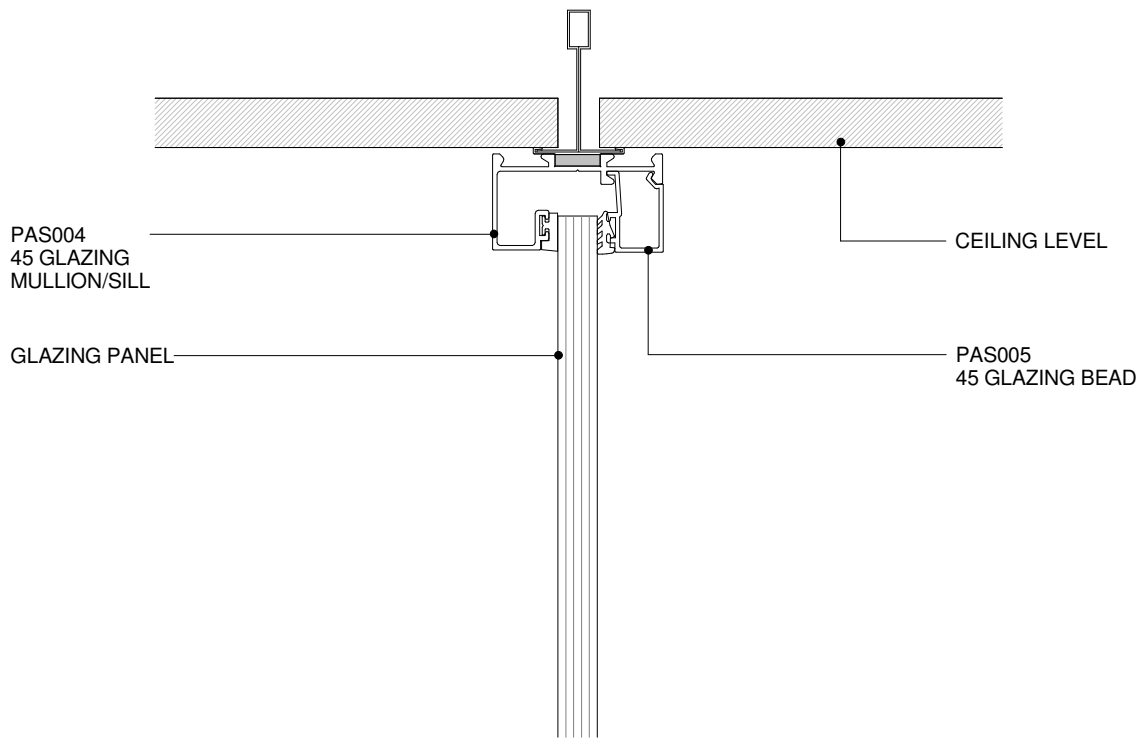
SHEET

1 : 2 @ A4  
SCALE

10/01/2011  
ISSUED DATE

0800 POTTER (0800 768 837) WWW.POTTERS.CO.NZ  
 DETAILS SUBJECT TO CHANGE WITHOUT NOTICE

**CSR**



**POTTER ALUMINIUM SYSTEMS**  
**C SERIES 45 - FULL HEIGHT GLAZING SYSTEM**  
**CROSS SECTION**

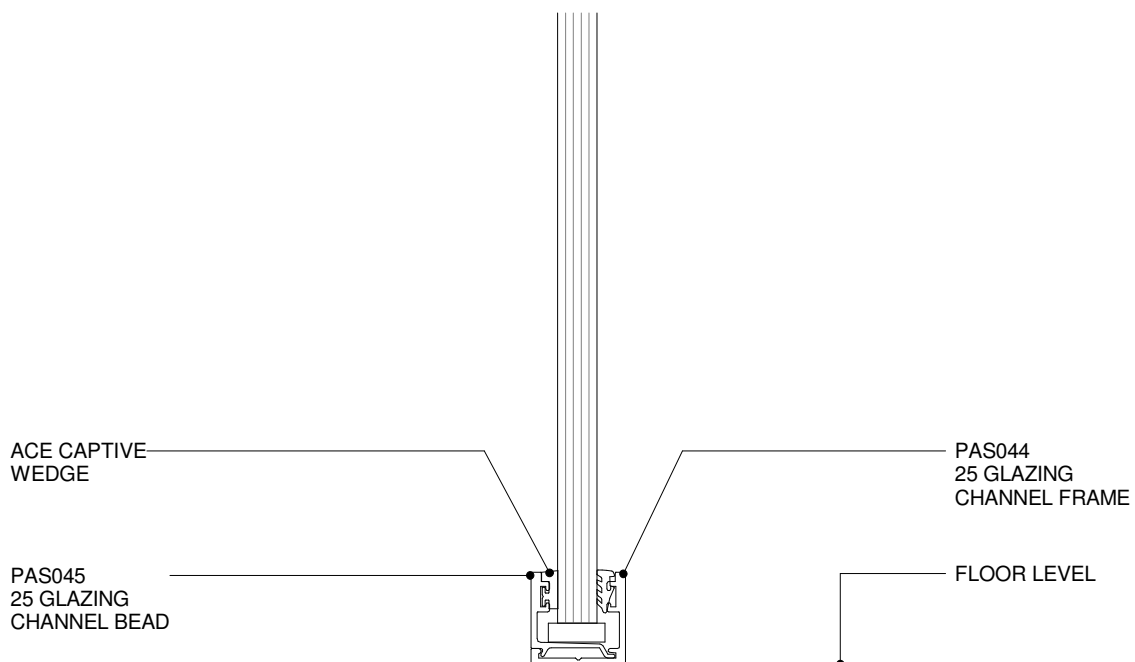
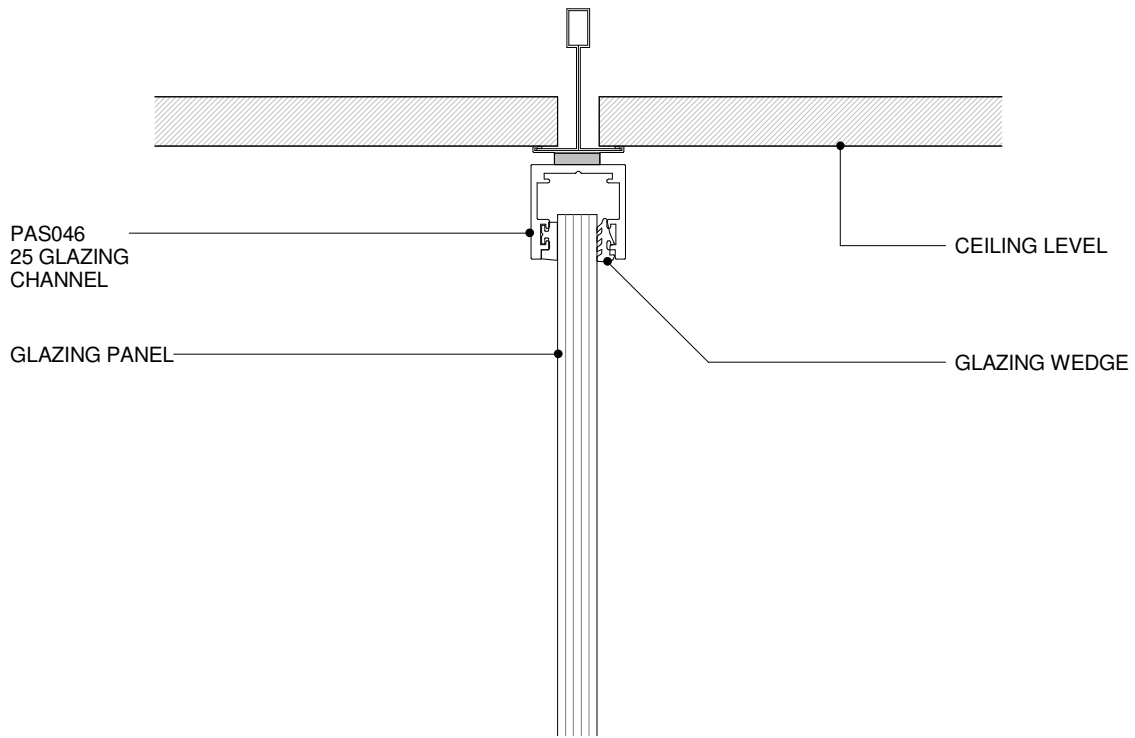
**4.5.1**  
 SHEET

1 : 2 @ A4  
 SCALE

10/01/2011  
 ISSUED DATE

0800 POTTER (0800 768 837) WWW.POTTERS.CO.NZ  
 DETAILS SUBJECT TO CHANGE WITHOUT NOTICE





**POTTER ALUMINIUM SYSTEMS**  
**C SERIES 45 - FULL HEIGHT GLAZING SYSTEM 2**  
**CROSS SECTION**

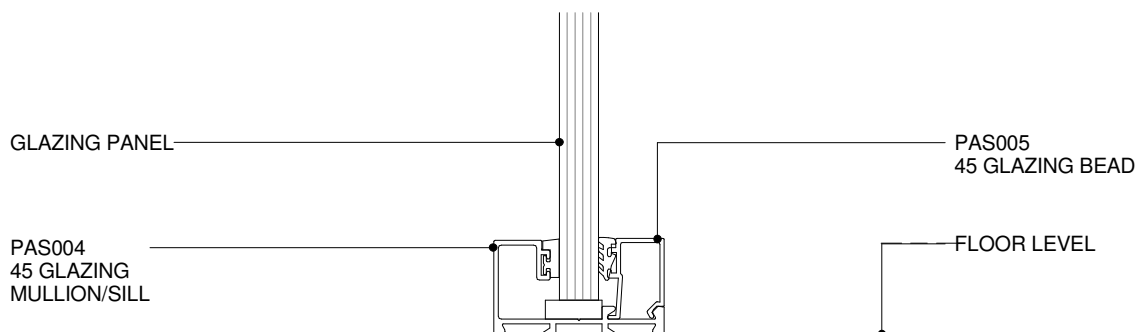
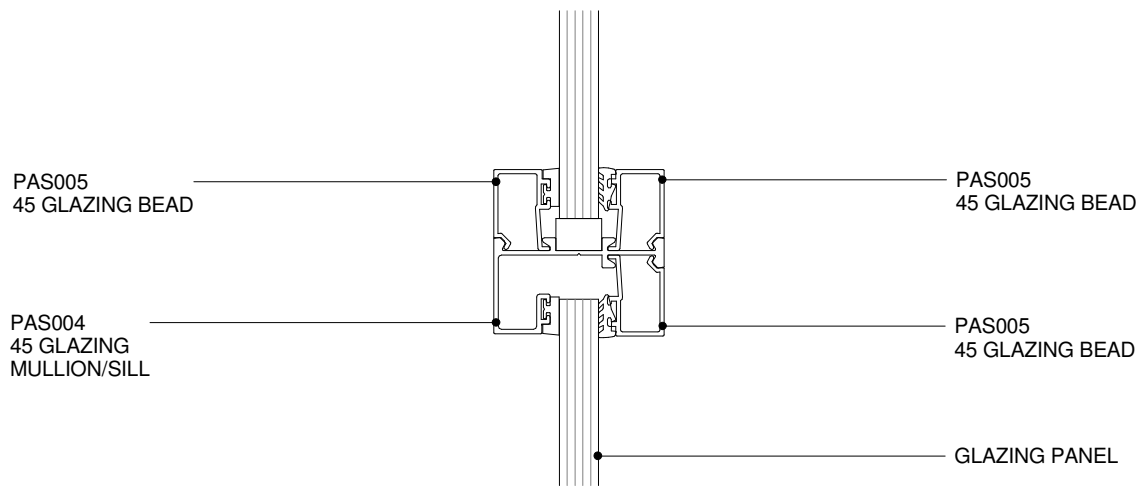
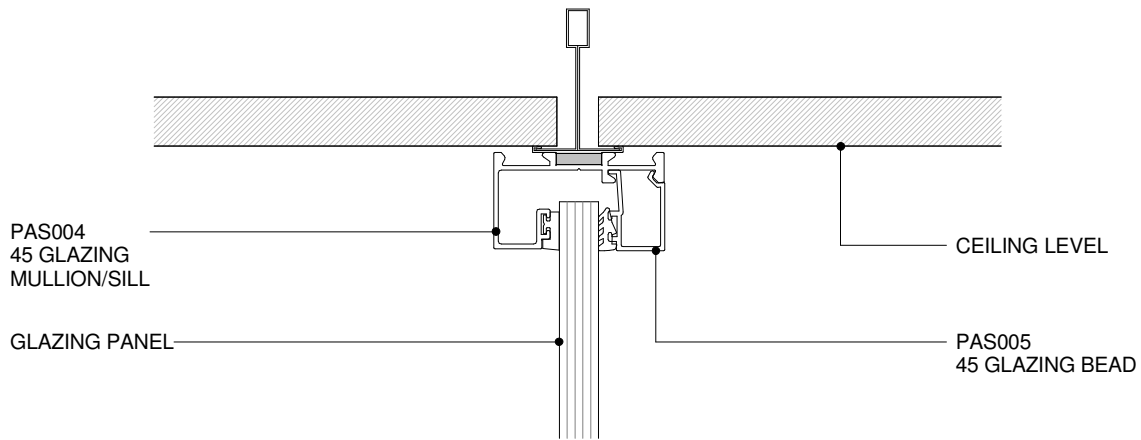
**4.5.2**  
SHEET

1 : 2 @ A4  
SCALE

10/01/2011  
ISSUED DATE

0800 POTTER (0800 768 837) WWW.POTTERS.CO.NZ  
DETAILS SUBJECT TO CHANGE WITHOUT NOTICE





**POTTER ALUMINIUM SYSTEMS**  
**C SERIES 45 - GLAZING TRANSOM**  
**CROSS SECTION**

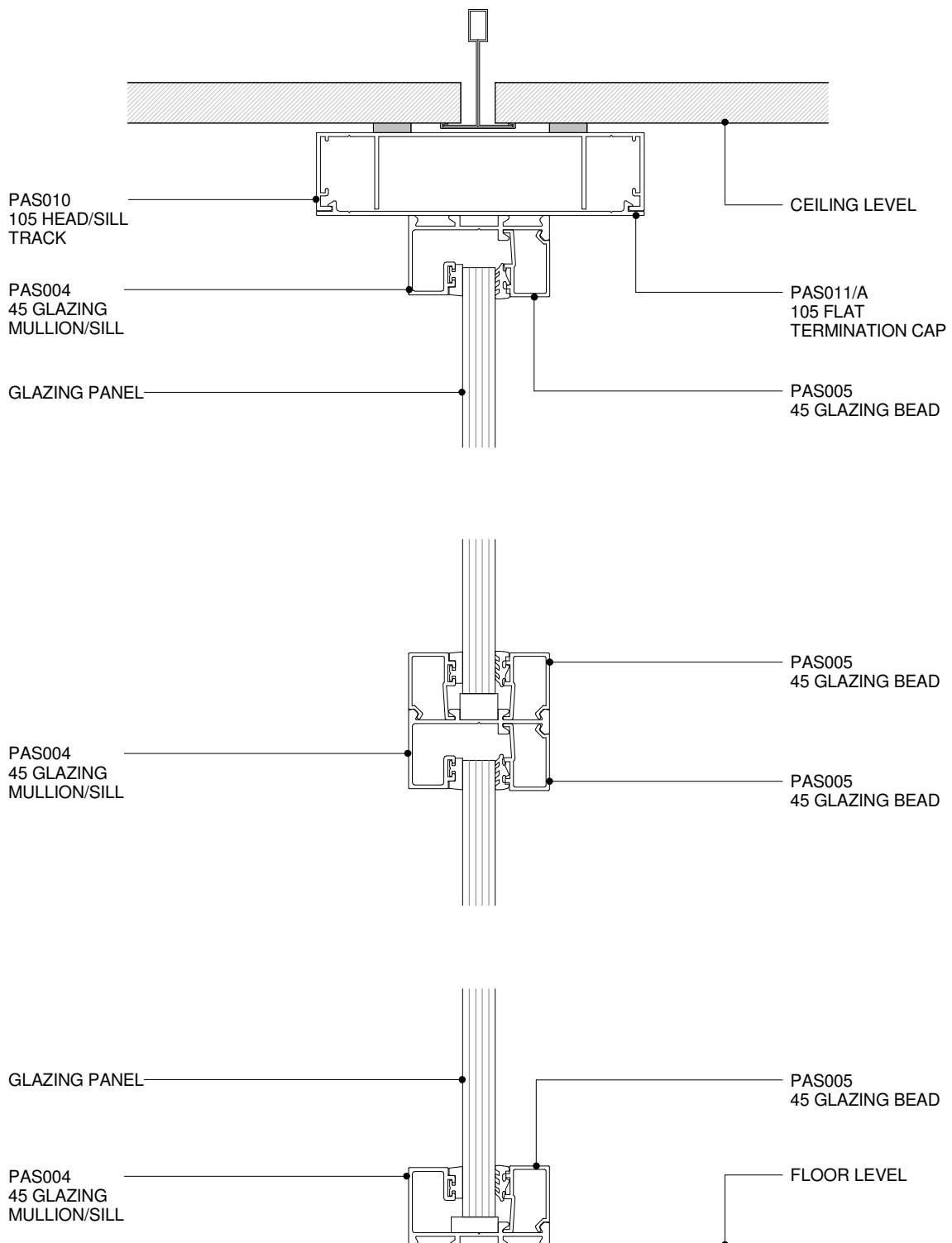
**4.5.3**  
 SHEET

1 : 2 @ A4  
 SCALE

10/01/2011  
 ISSUED DATE

0800 POTTER (0800 768 837) WWW.POTTERS.CO.NZ  
 DETAILS SUBJECT TO CHANGE WITHOUT NOTICE


**CSR**



**POTTER ALUMINIUM SYSTEMS**  
**C SERIES 45 - GLAZING TRANSOM WITH HEADTRACK**  
**CROSS SECTION**

**4.5.4**

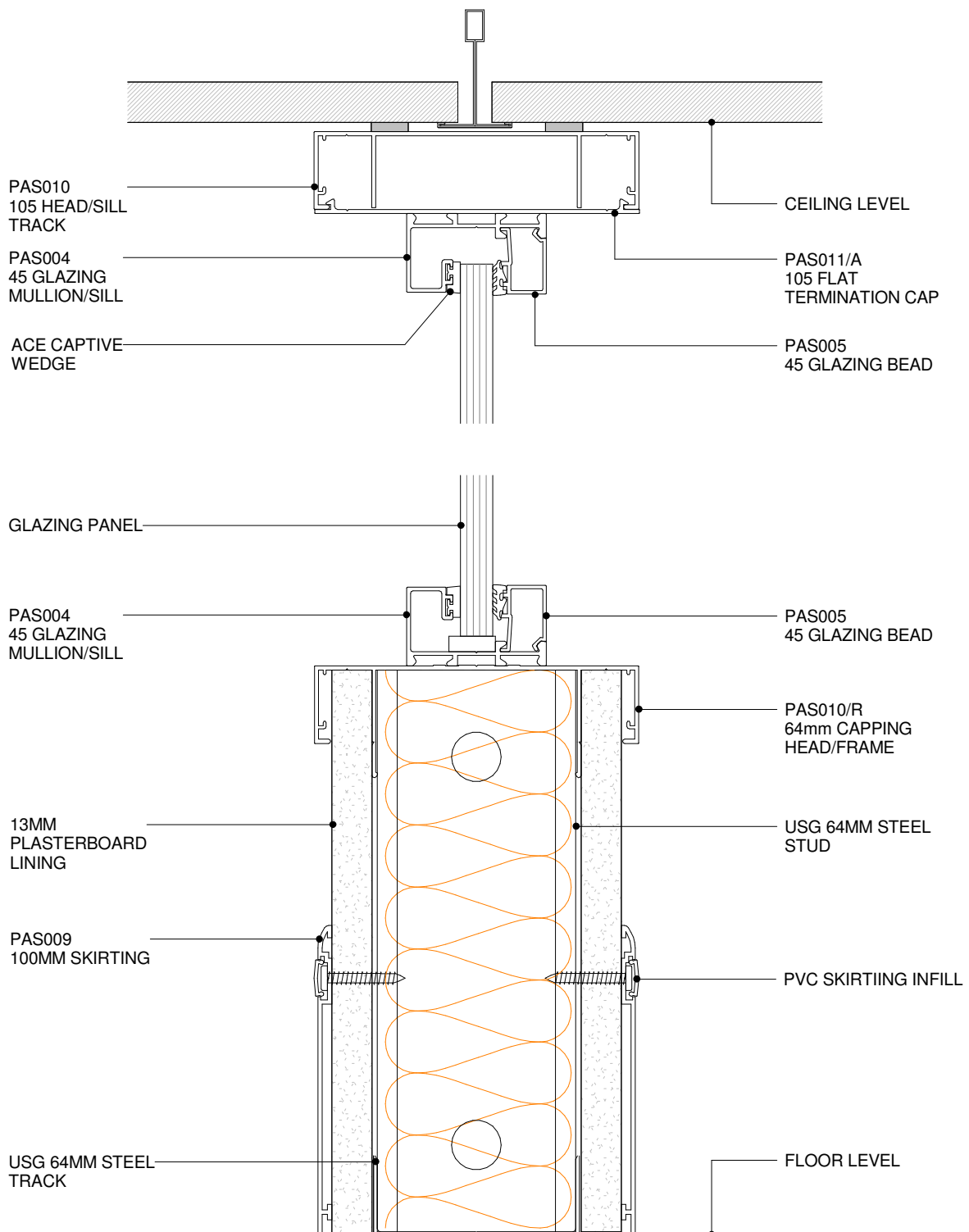
SHEET

1 : 2 @ A4  
 SCALE

10/01/2011  
 ISSUED DATE

0800 POTTER (0800 768 837) WWW.POTTERS.CO.NZ  
 DETAILS SUBJECT TO CHANGE WITHOUT NOTICE


**CSR**



**POTTER ALUMINIUM SYSTEMS**  
**C SERIES 45 - HALF HEIGHT GLAZING WALL**  
**CROSS SECTION**

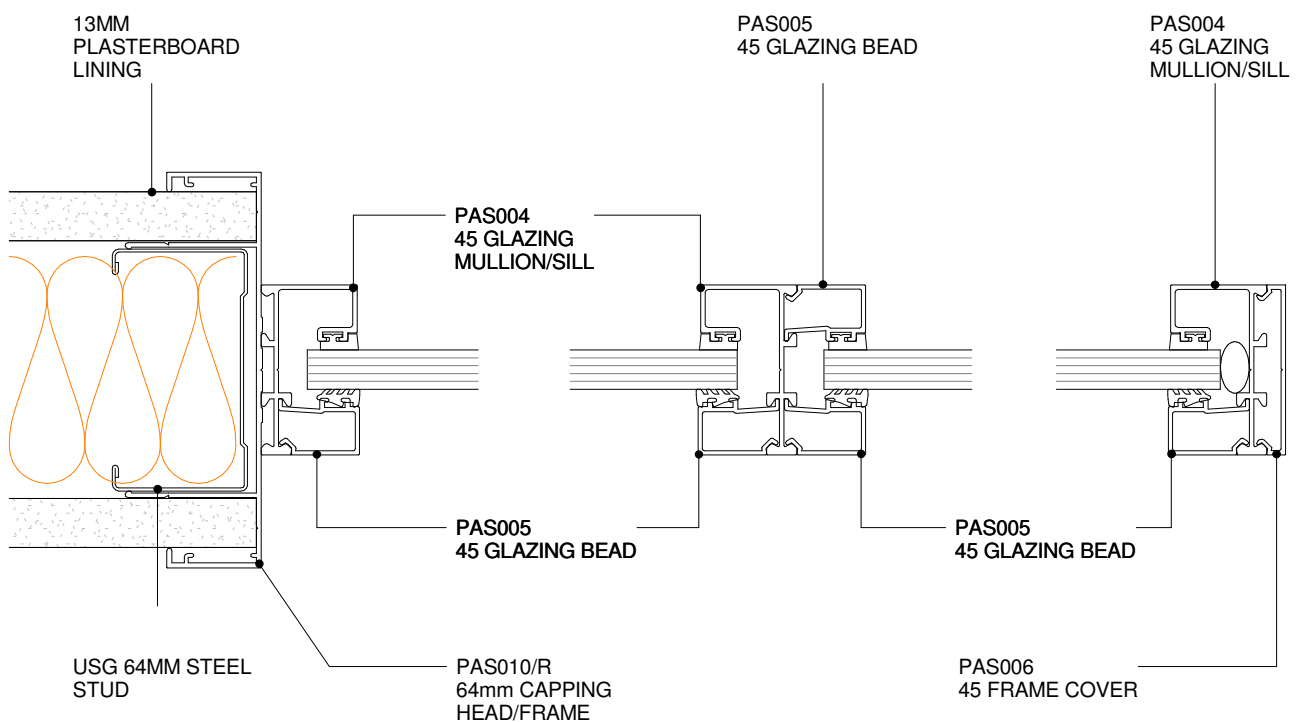
**4.5.5**  
SHEET

1 : 2 @ A4  
SCALE

10/01/2011  
ISSUED DATE

0800 POTTER (0800 768 837) WWW.POTTERS.CO.NZ  
DETAILS SUBJECT TO CHANGE WITHOUT NOTICE

**CSR**



**POTTER ALUMINIUM SYSTEMS**  
**C SERIES 45 - GLAZING MULLION**  
**PLAN VIEW**

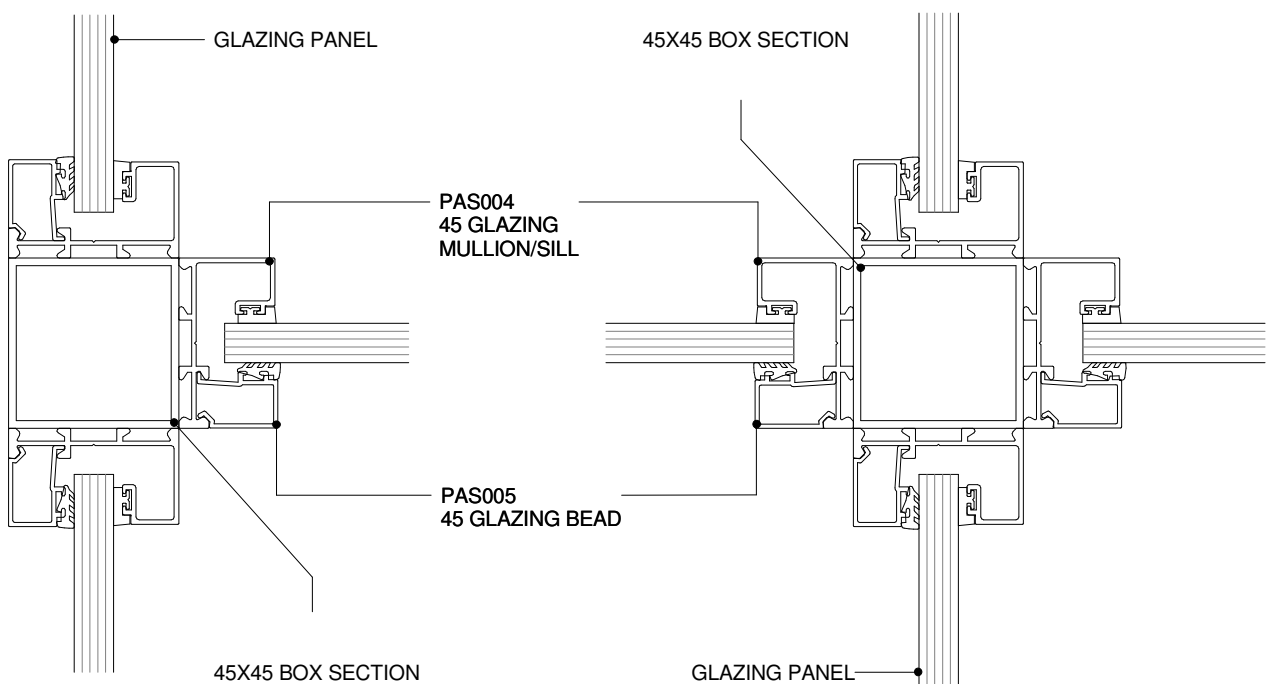
**4.5.6**  
 SHEET

1 : 2 @ A4  
 SCALE

10/01/2011  
 ISSUED DATE

0800 POTTER (0800 768 837) WWW.POTTERS.CO.NZ  
 DETAILS SUBJECT TO CHANGE WITHOUT NOTICE





**POTTER ALUMINIUM SYSTEMS**  
**C SERIES 45 - GLAZING POST**  
**PLAN VIEW**

**4.5.7**  
 SHEET

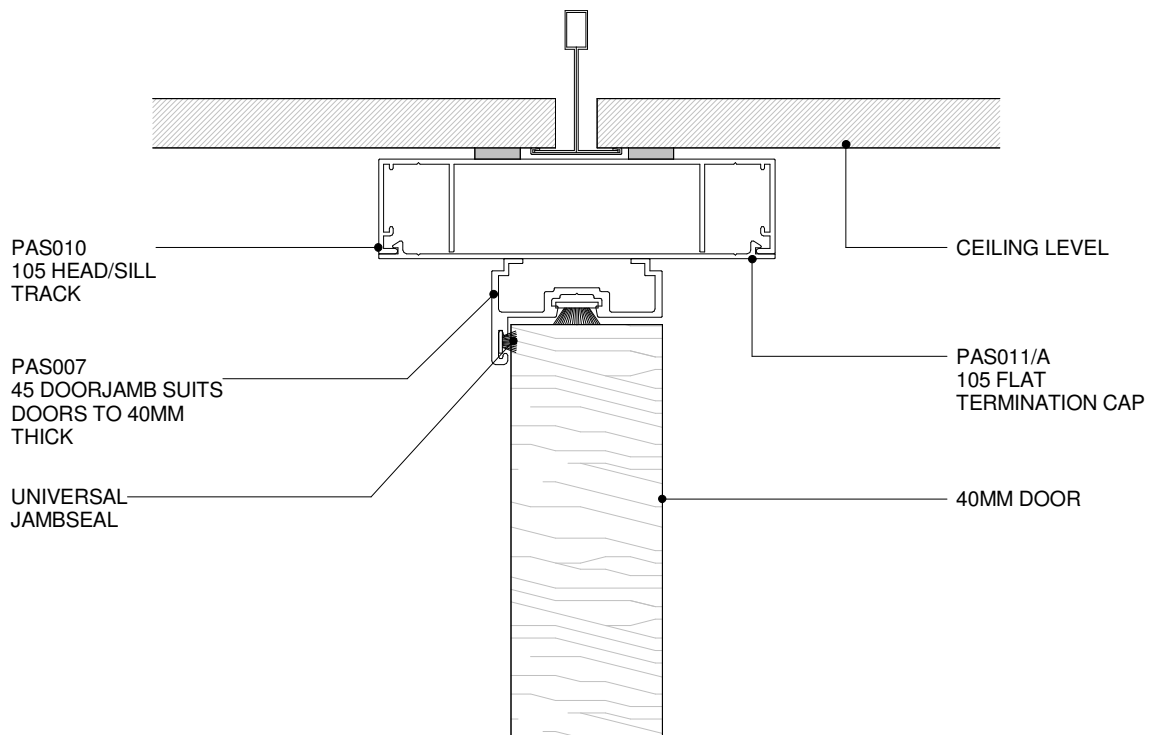
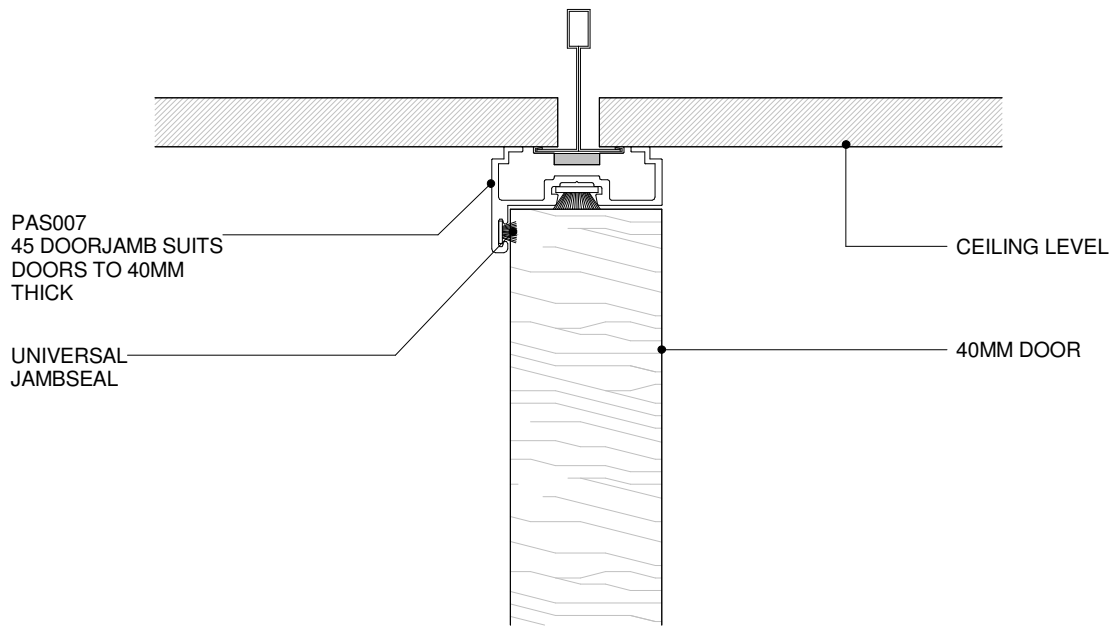
1 : 2 @ A4  
 SCALE

10/01/2011  
 ISSUED DATE

0800 POTTER (0800 768 837) WWW.POTTERS.CO.NZ  
 DETAILS SUBJECT TO CHANGE WITHOUT NOTICE


**CSR**





**POTTER ALUMINIUM SYSTEMS**  
**C SERIES 45 - 40MM DOOR HEADERS**  
**CROSS SECTION**

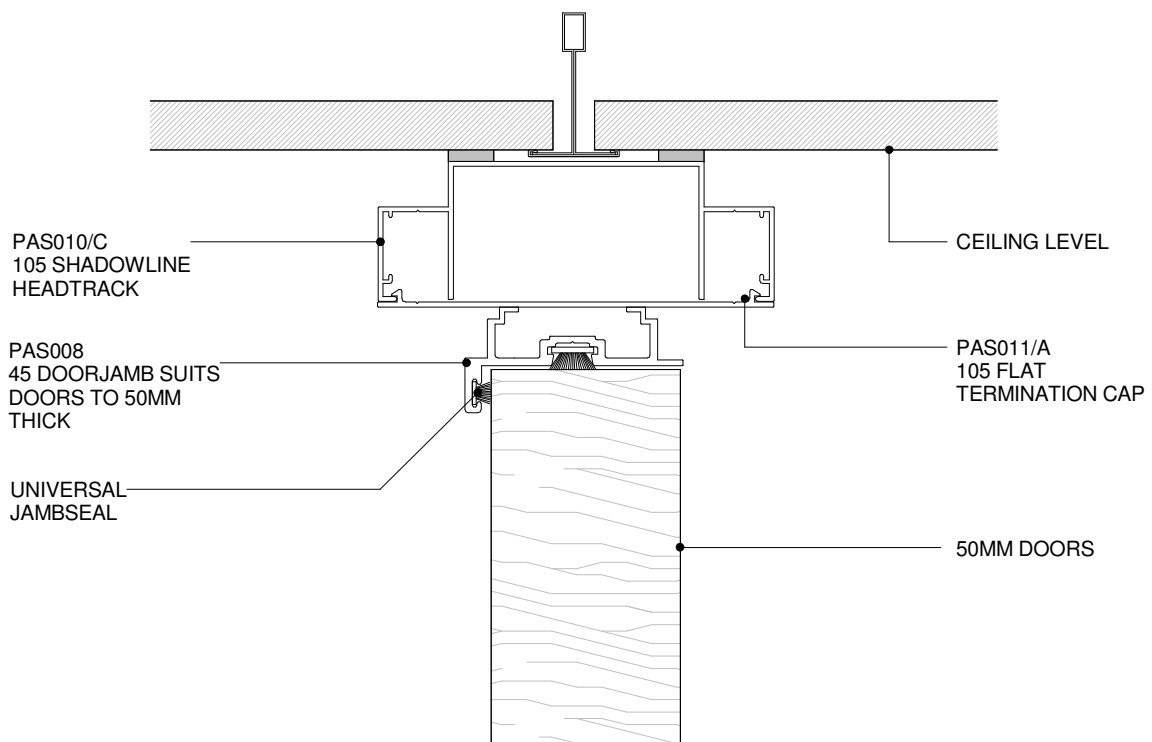
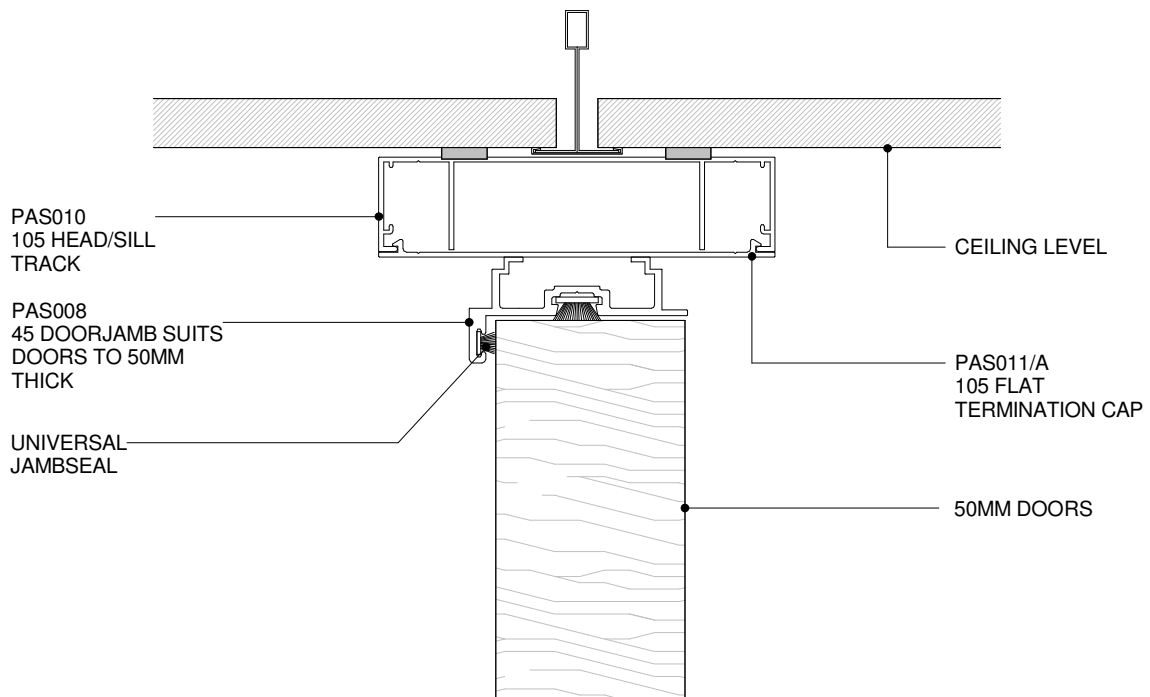
**4.6.1**  
 SHEET

1 : 2 @ A4  
 SCALE

10/01/2011  
 ISSUED DATE

0800 POTTER (0800 768 837) WWW.POTTERS.CO.NZ  
 DETAILS SUBJECT TO CHANGE WITHOUT NOTICE


**CSR**



**POTTER ALUMINIUM SYSTEMS**  
**C SERIES 45 - 50MM DOOR HEADTRACKS**  
**CROSS SECTION**

**4.6.2**

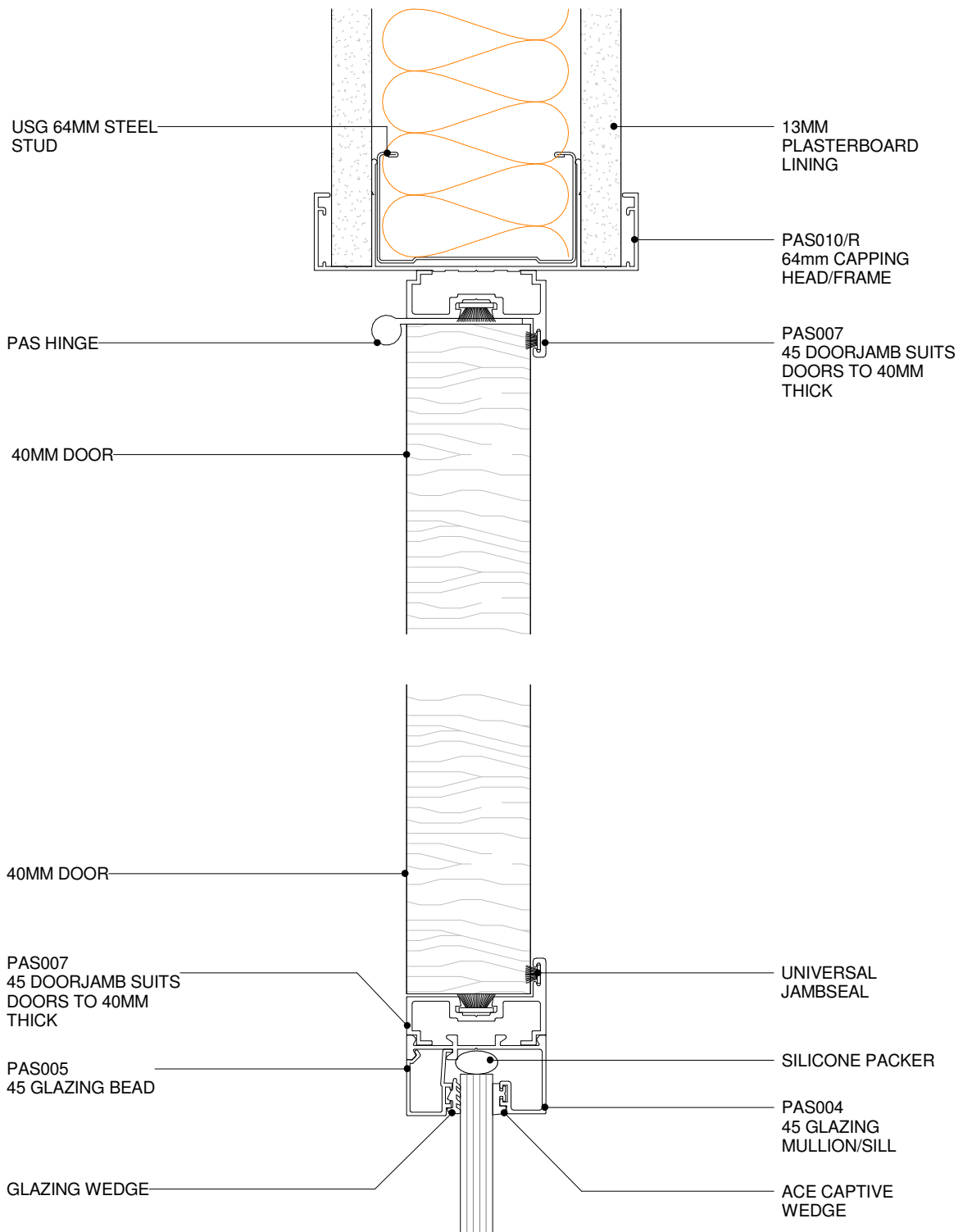
SHEET

1 : 2 @ A4  
SCALE

10/01/2011  
ISSUED DATE

0800 POTTER (0800 768 837) WWW.POTTERS.CO.NZ  
DETAILS SUBJECT TO CHANGE WITHOUT NOTICE


**CSR**



**POTTER ALUMINIUM SYSTEMS**  
**C SERIES 45 - DOOR TO GLAZING**  
**PLAN VIEW**

**4.6.3**

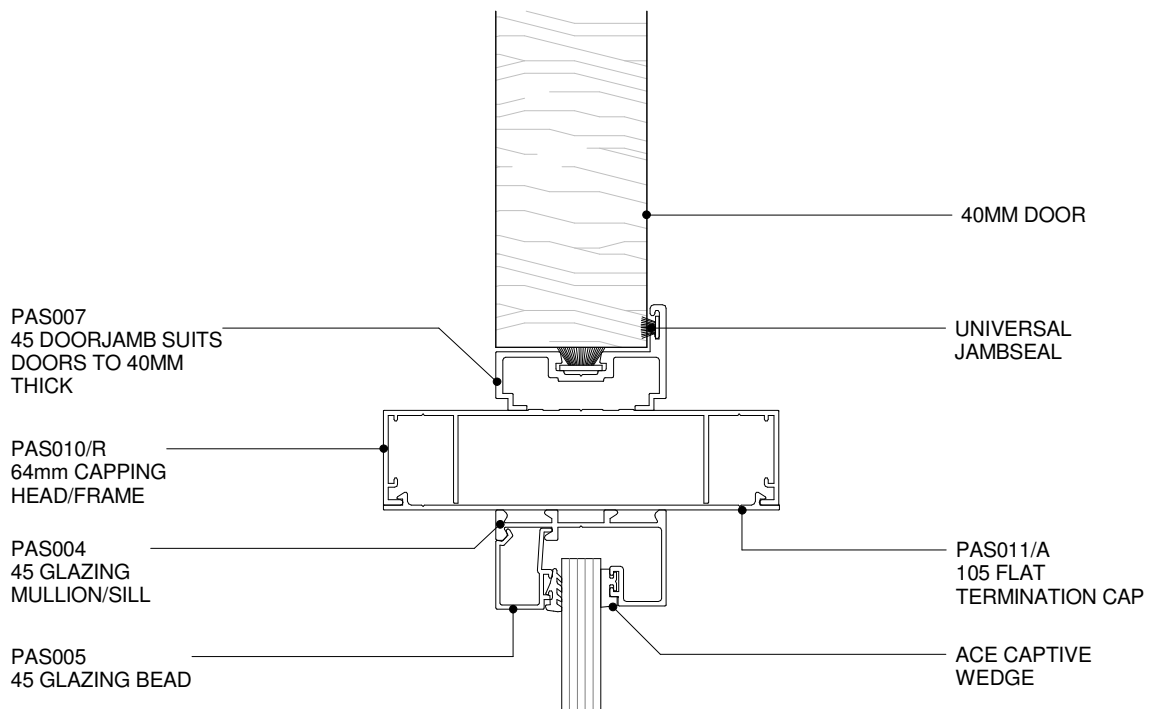
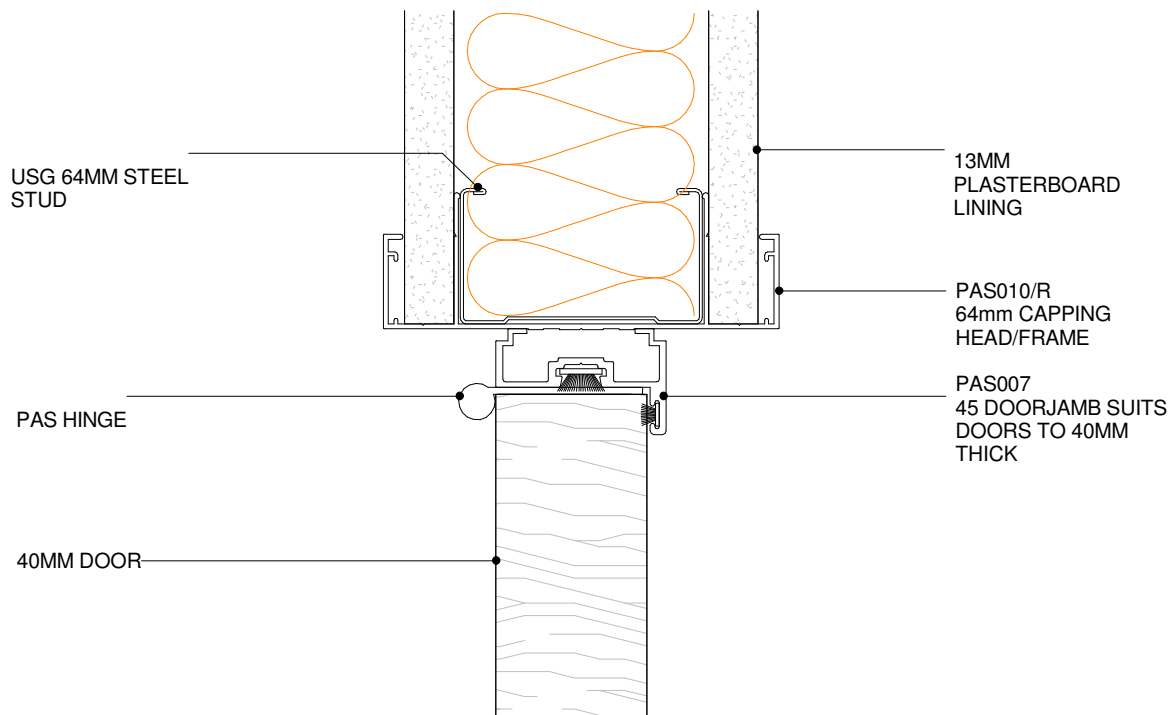
SHEET

1 : 2 @ A4  
 SCALE

10/01/2011  
 ISSUED DATE

0800 POTTER (0800 768 837) WWW.POTTERS.CO.NZ  
 DETAILS SUBJECT TO CHANGE WITHOUT NOTICE

**CSR**



**POTTER ALUMINIUM SYSTEMS**  
**C SERIES 45 - DOOR/GLAZING MULLION WITH HEADTRACK**  
**PLAN VIEW**

**4.6.4**

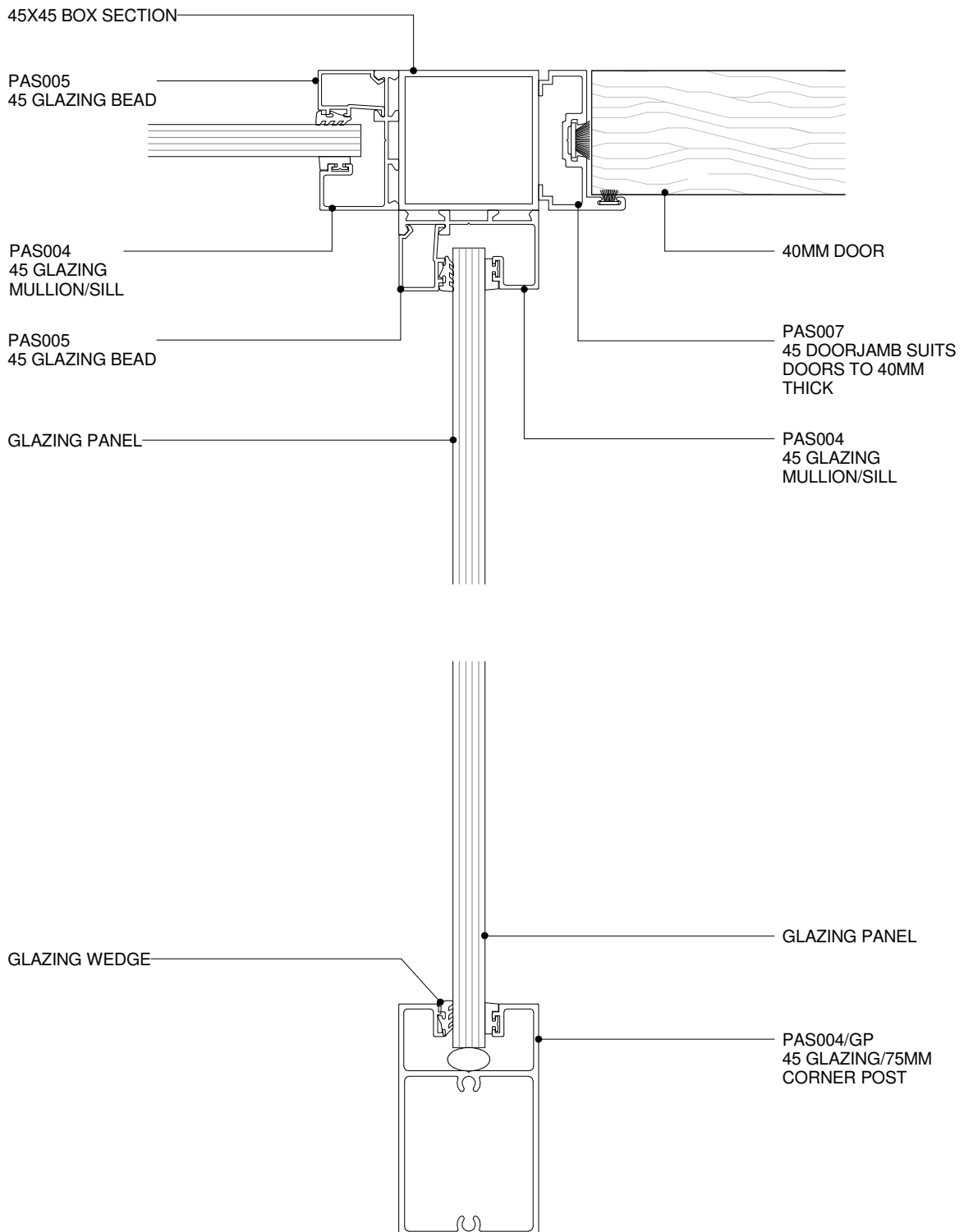
SHEET

1 : 2 @ A4  
 SCALE

10/01/2011  
 ISSUED DATE

0800 POTTER (0800 768 837) WWW.POTTERS.CO.NZ  
 DETAILS SUBJECT TO CHANGE WITHOUT NOTICE


**CSR**



**POTTER ALUMINIUM SYSTEMS**  
**C SERIES 45 - DOOR/GLAZING POST**  
**PLAN VIEW**

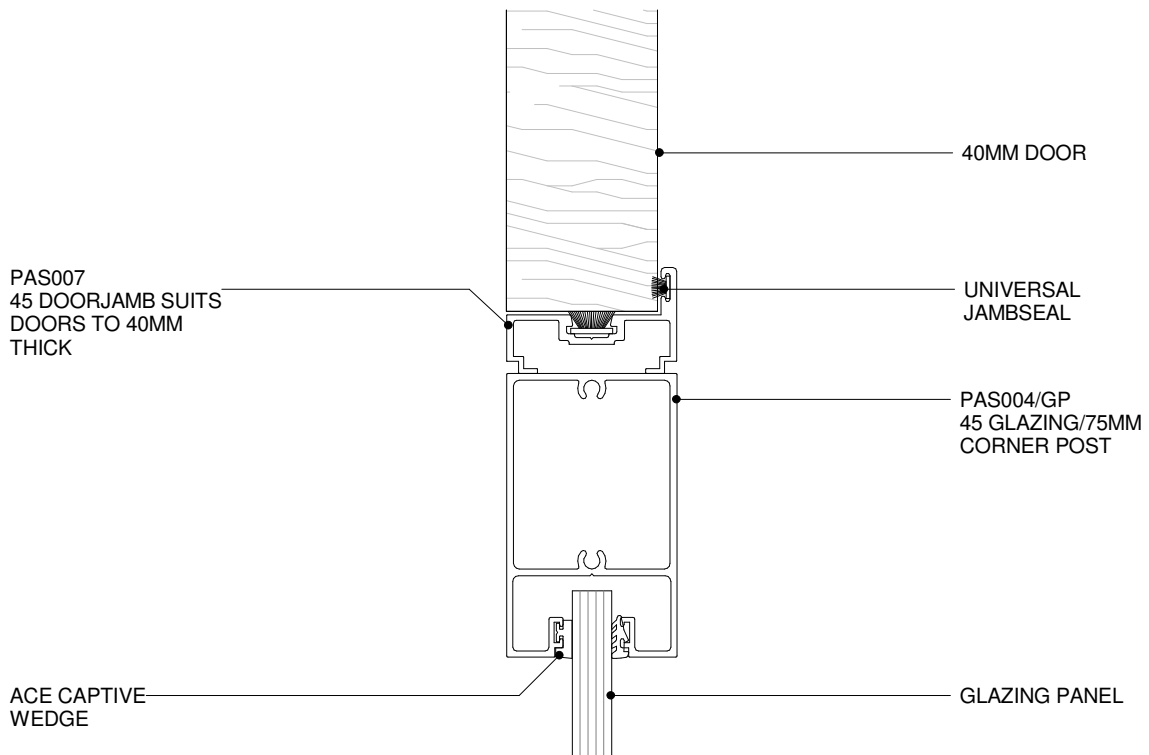
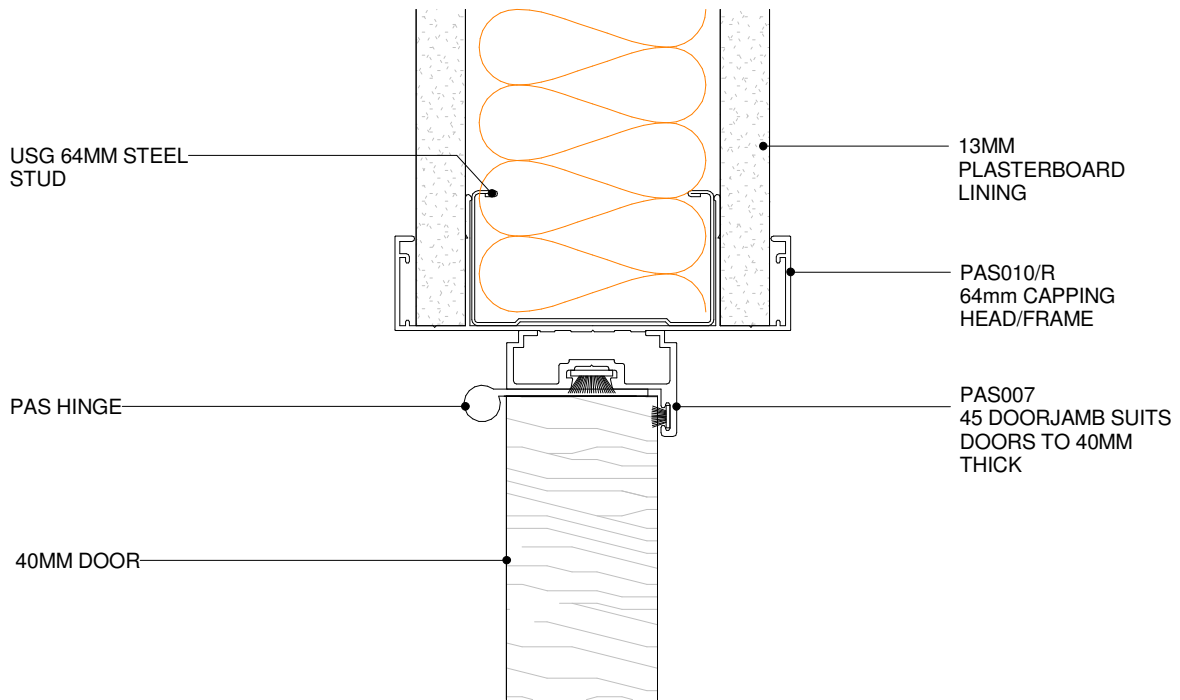
**4.6.5**  
SHEET

1 : 2 @ A4  
SCALE

10/01/2011  
ISSUED DATE

0800 POTTER (0800 768 837) WWW.POTTERS.CO.NZ  
 DETAILS SUBJECT TO CHANGE WITHOUT NOTICE





**POTTER ALUMINIUM SYSTEMS**  
**C SERIES 45 - DOOR/GLAZING POST 2**  
**PLAN VIEW**

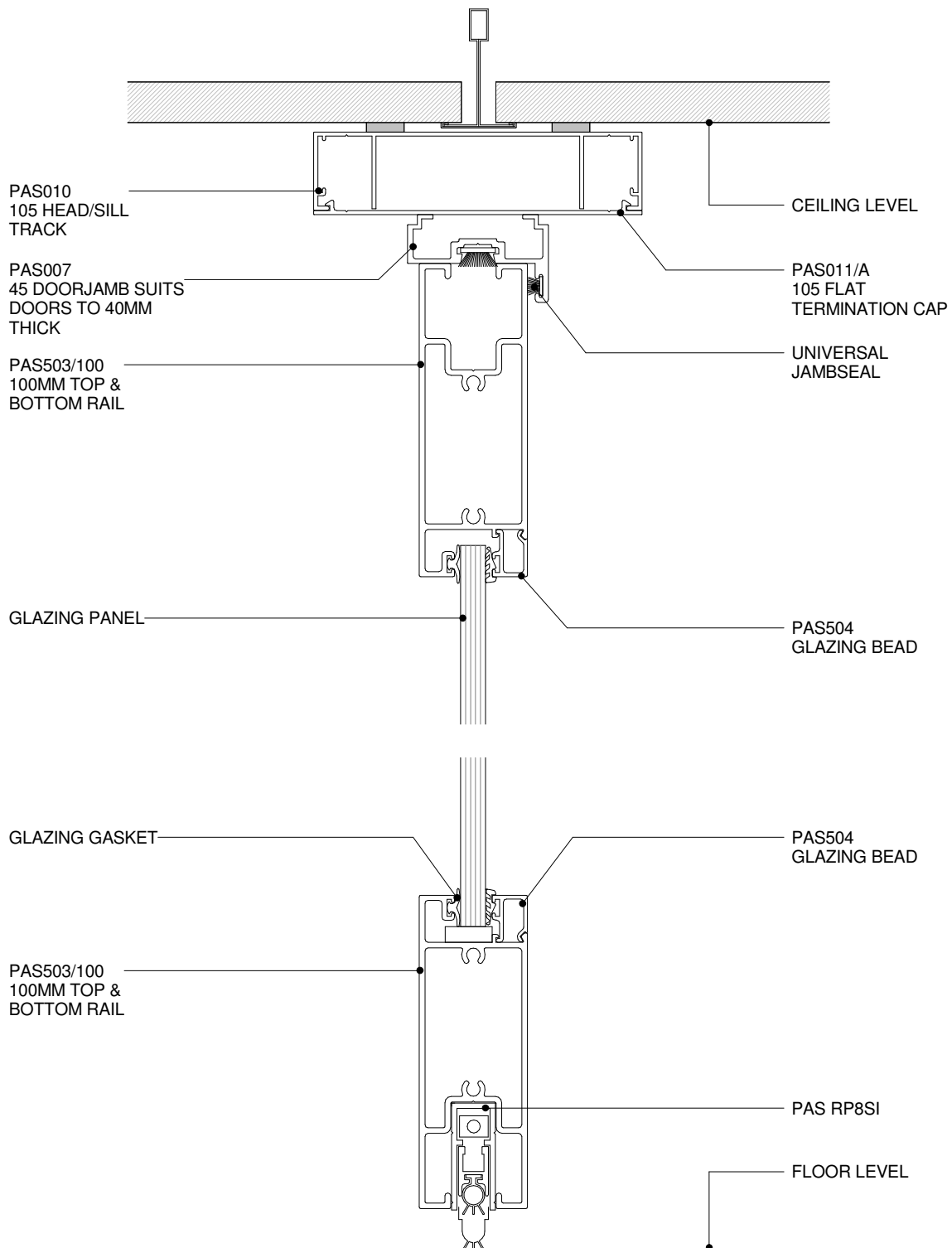
**4.6.6**  
 SHEET

1 : 2 @ A4  
 SCALE

10/01/2011  
 ISSUED DATE

0800 POTTER (0800 768 837) WWW.POTTERS.CO.NZ  
 DETAILS SUBJECT TO CHANGE WITHOUT NOTICE





**POTTER ALUMINIUM SYSTEMS**  
**C SERIES 45 WITH DS SERIES 100MM DOOR AND RP8SI DOOR SEAL**  
**CROSS SECTION**

**4.6.7**

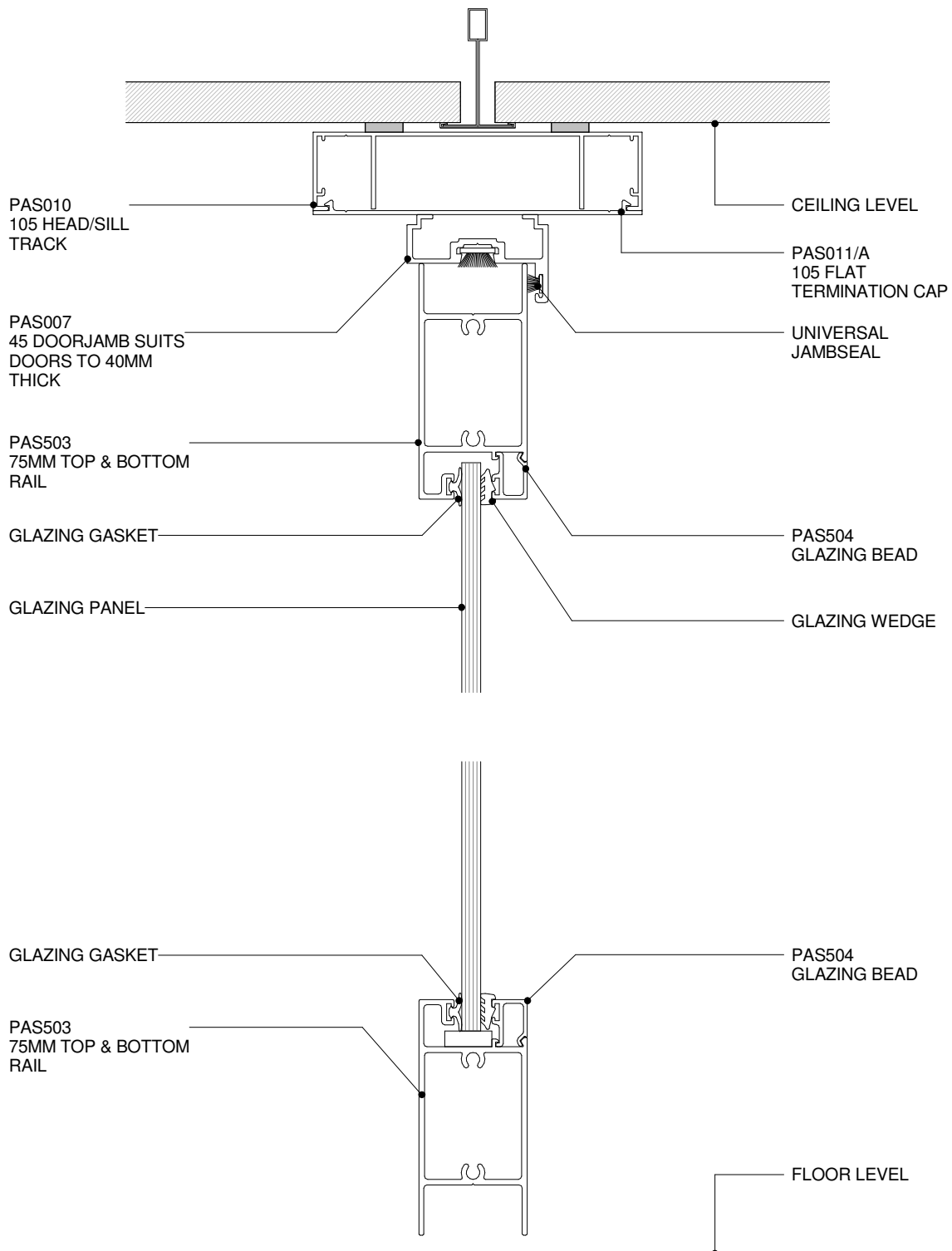
SHEET

1 : 2 @ A4  
SCALE

10/01/2011  
ISSUED DATE

0800 POTTER (0800 768 837) WWW.POTTERS.CO.NZ  
DETAILS SUBJECT TO CHANGE WITHOUT NOTICE





**POTTER ALUMINIUM SYSTEMS**  
**C SERIES 45 WITH DS SERIES 75MM DOOR**  
**CROSS SECTION**

**4.6.8**

SHEET

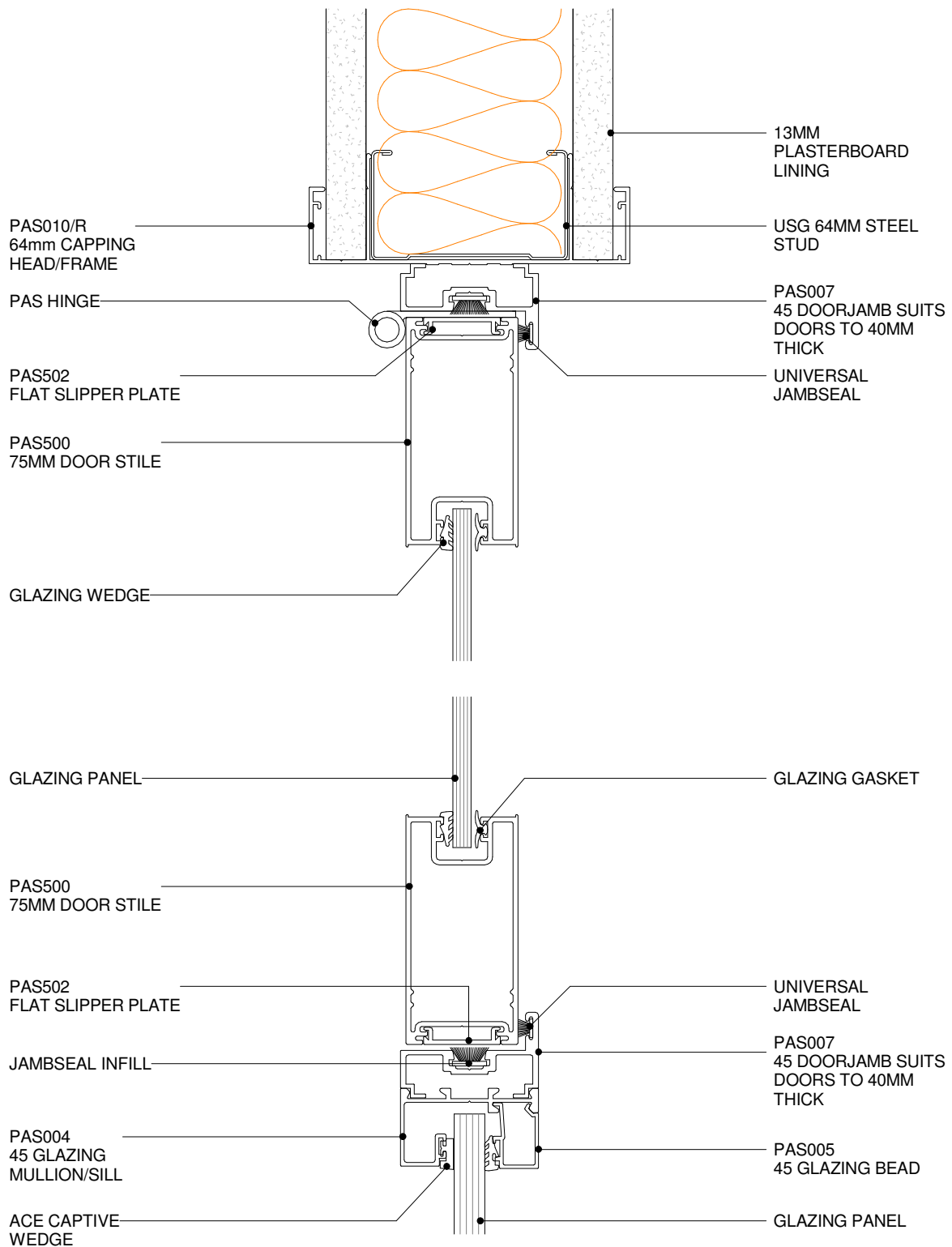
1 : 2 @ A4  
 SCALE

10/01/2011  
 ISSUED DATE

0800 POTTER (0800 768 837) WWW.POTTERS.CO.NZ  
 DETAILS SUBJECT TO CHANGE WITHOUT NOTICE







**POTTER ALUMINIUM SYSTEMS**  
**C SERIES 45 DOOR TO GLAZING WITH DS SERIES 75MM DOOR**  
**PLAN VIEW**

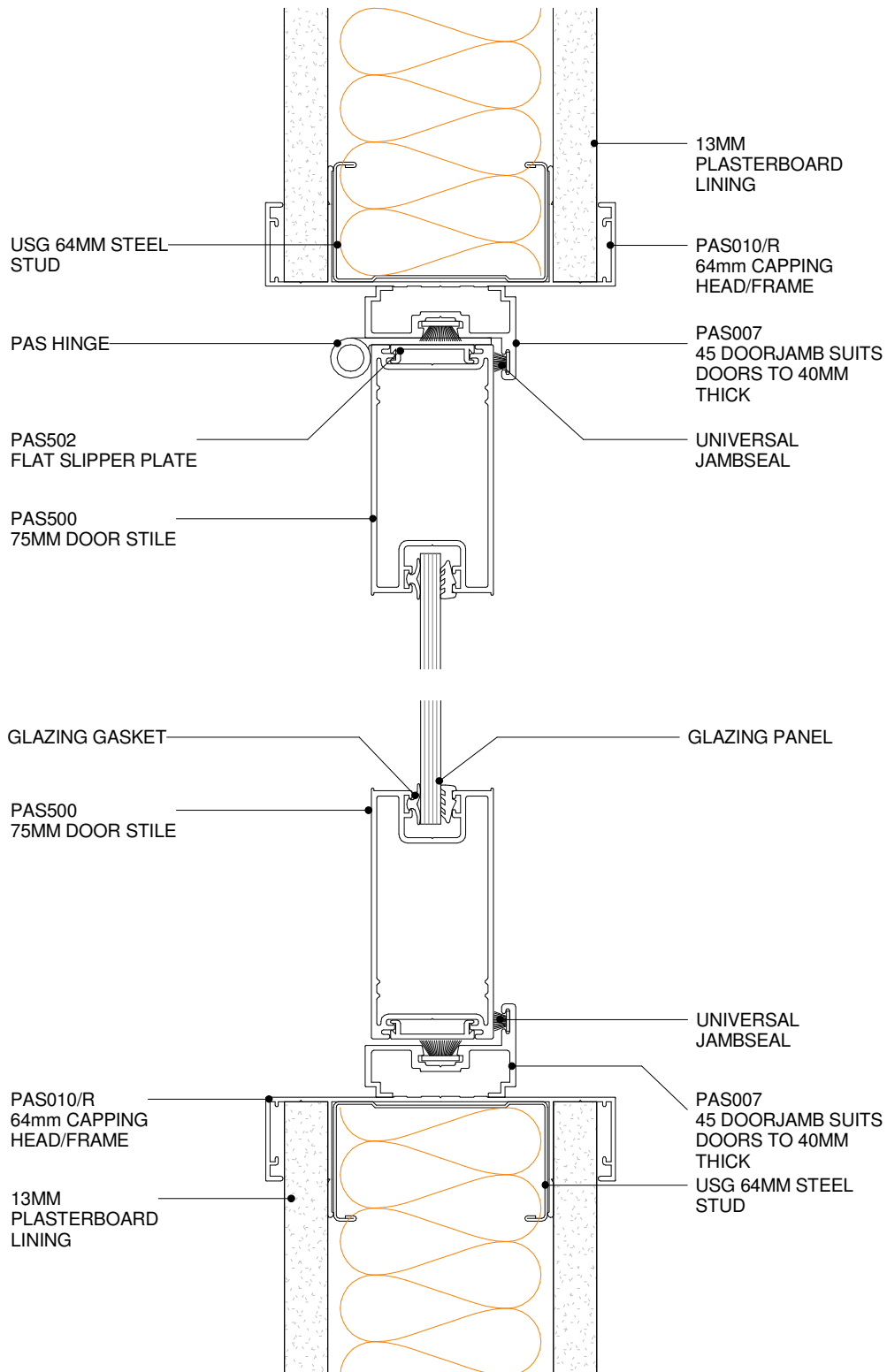
**4.6.9**  
 SHEET

1 : 2 @ A4  
 SCALE

10/01/2011  
 ISSUED DATE

0800 POTTER (0800 768 837) WWW.POTTERS.CO.NZ  
 DETAILS SUBJECT TO CHANGE WITHOUT NOTICE





**POTTER ALUMINIUM SYSTEMS**  
**C SERIES 45 DOOR OPENING WITH DS SERIES 75MM DOOR**  
**PLAN VIEW**

**4.6.10**

SHEET

1 : 2 @ A4  
 SCALE

10/01/2011  
 ISSUED DATE

0800 POTTER (0800 768 837) WWW.POTTERS.CO.NZ  
 DETAILS SUBJECT TO CHANGE WITHOUT NOTICE

**CSR**