

# easyniche<sup>®</sup>

## Aura Shelf

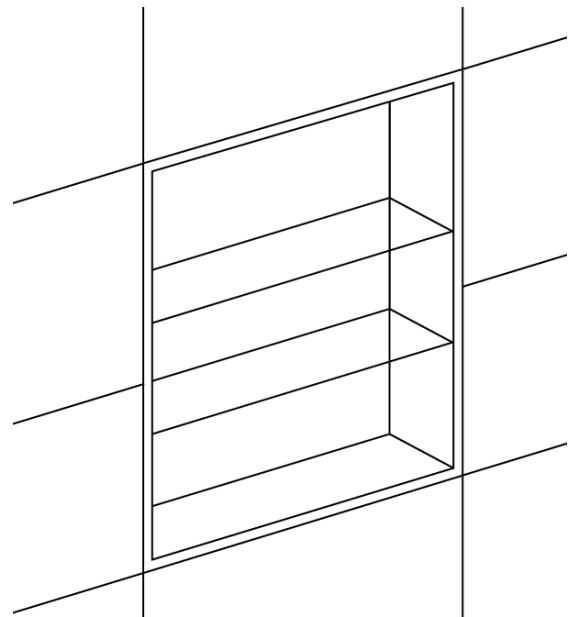
ENSH-RF68-W & ENSH-RF68-B

### Included in this package:

- Moulded FRP recess
- 2x glass shelves
- 2x 20mm s/s screws
- 2x loose shelf supports
- 8x s/s shelf supports (factory fitted)

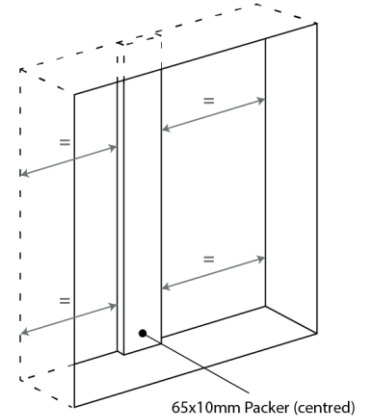
### Required:

- Gorilla Grip Express
- Packer (MDF/wood) 65x10 @740mm long

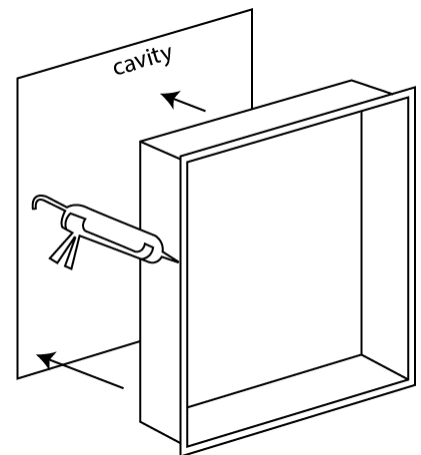


# EasyNiche Aura shelf installation instructions

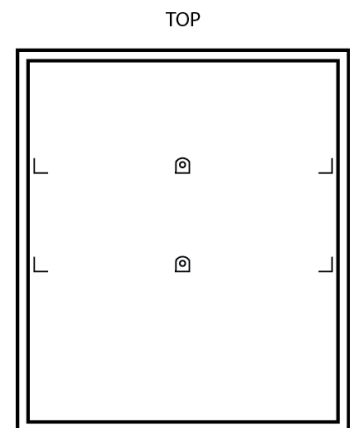
1. Measure and the mark recess size on wall. Cut a hole through the wall lining surface. The recess size should be 740x540 (maximum).
2. The Aura Shelf requires a 90mm wall cavity. Pre-check the moulded recess into the wall cavity.
3. Fix the packer into place with construction adhesive (eg. Gorilla Grip). Allow to cure for 15 minutes.



4. Apply the same construction adhesive around the back of the flange as shown.
5. Insert the moulded recess into the wall.



6. Using the 25mm screws supplied. Fix the 2x central shelf supports into the packer behind. This will hold the shelf in place.
7. Shelf blocks have been installed in the factory. Glass shelves should sit firmly in place on top of shelf blocks.
8. Insert glass shelf. Ensure glass shelf is parallel to back face of shelf. Adjust screw in back of shelf in or out if required.



## WARRANTY

- 5 Years on EasyNiche Aura shelf recess