

1 CEILING FIELD CUTTING OPTION
1 : 5

POTTER ALUMINIUM SYSTEMS
CEILING FIELD CUTTING OPTION

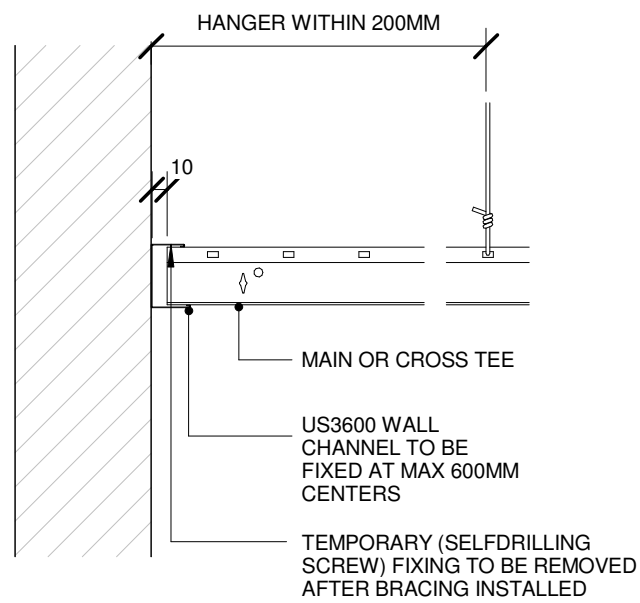
C.1.1
SHEET

1 : 5 @ A4
SCALE

02/09/11
ISSUED DATE

0800 POTTER (0800 768 837) WWW.POTTERS.CO.NZ
SUBJECT TO CHANGE WITHOUT NOTICE





1 CEILING SEISMIC
1 : 5

**POTTER ALUMINIUM SYSTEMS
CEILING SEISMIC**

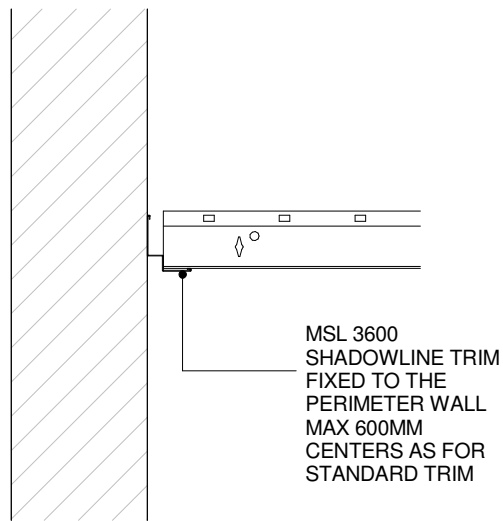
C.1.2
SHEET

1 : 5 @ A4
SCALE

02/09/11
ISSUED DATE

0800 POTTER (0800 768 837) WWW.POTTERS.CO.NZ
SUBJECT TO CHANGE WITHOUT NOTICE





1 CEILING SHADOWLINE
1 : 5

POTTER ALUMINIUM SYSTEMS
CEILING SHADOWLINE

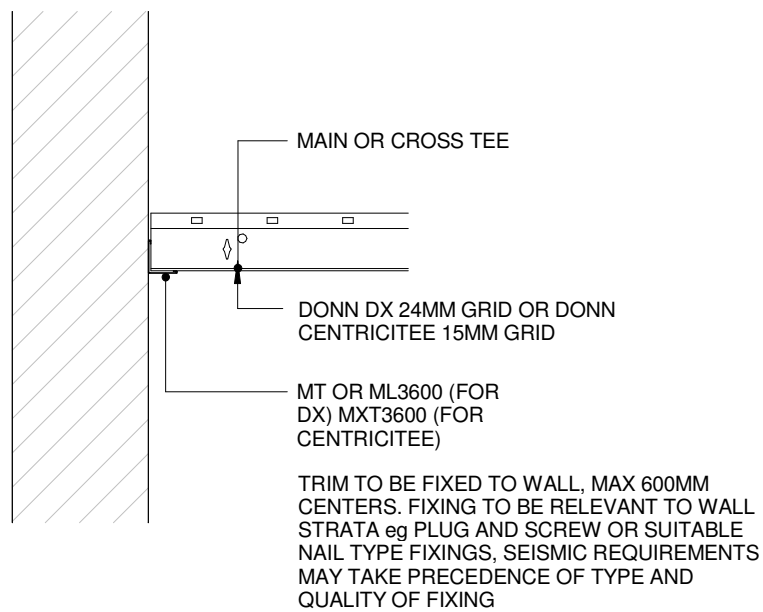
C.1.3
SHEET

1 : 5 @ A4
SCALE

02/09/11
ISSUED DATE

0800 POTTER (0800 768 837) WWW.POTTERS.CO.NZ
SUBJECT TO CHANGE WITHOUT NOTICE





1

CEILING STANDARD

1 : 5

**POTTER ALUMINIUM SYSTEMS
CEILING STANDARD**

C.1.4
SHEET

1 : 5 @ A4
SCALE

02/09/11
ISSUED DATE

0800 POTTER (0800 768 837) WWW.POTTERS.CO.NZ
SUBJECT TO CHANGE WITHOUT NOTICE





USG WALL ANGLE STANDARD



USG WALL ANGLE SEISMIC WALL CHANNEL

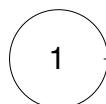


USG WALL ANGLE SHADOWLINE LONG LEG



USG WALL ANGLE LONG LEG

CEILING WALL ANGLE PROFILES



1 : 5