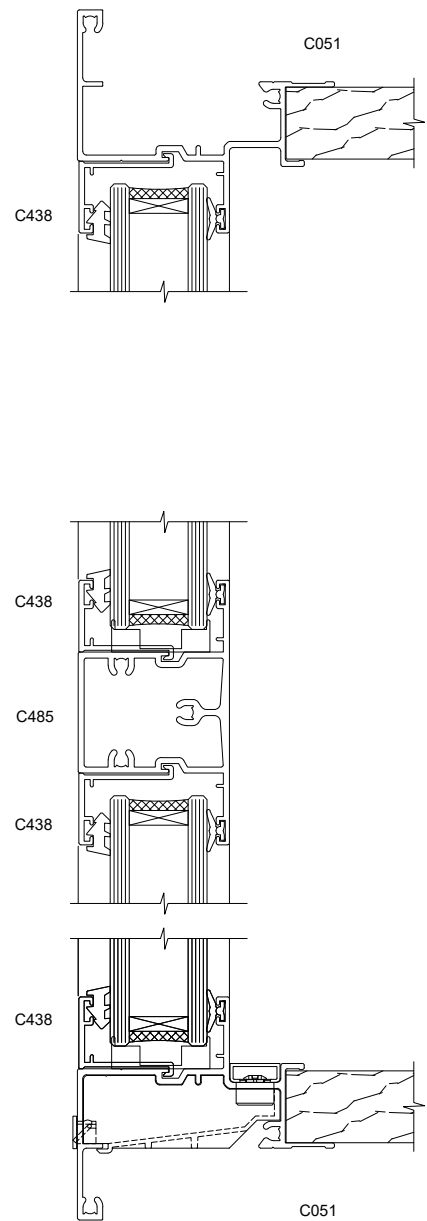
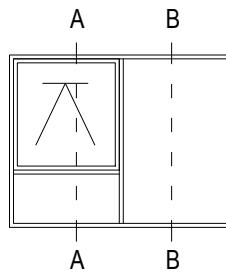


SECTION A-A



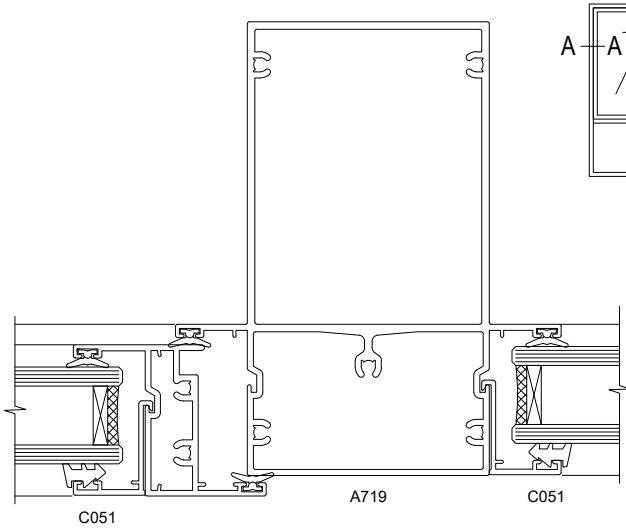
SECTION B-B

AWNING / CASEMENT WINDOW

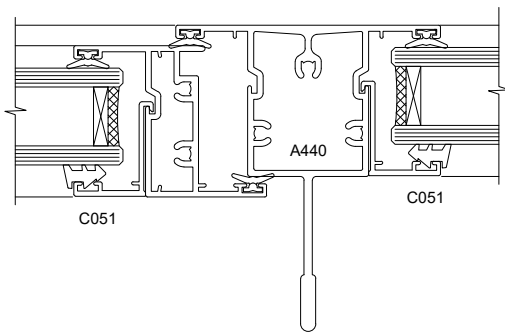
FAIRVIEW SYSTEMS LIMITED SPECIFIERS GUIDE 2014 © TECHNICAL SPECIFICATIONS & PROFILE DETAILS SUBJECT TO CHANGE WITHOUT NOTICE

ARCHITECTURAL LINEAR 40 - COMPLETE SUITE

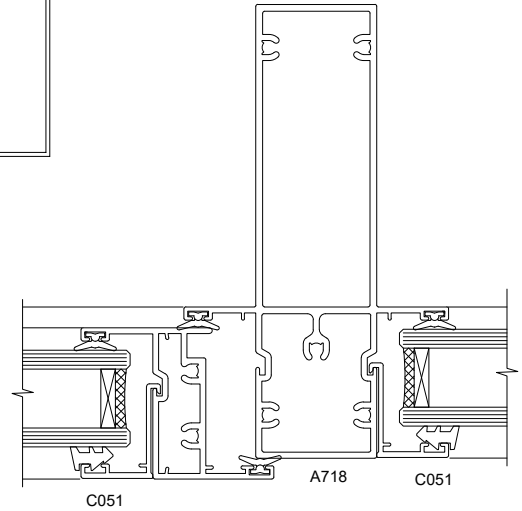
DATE 12.06.2018	SCALE 1:2
REF. AL40.0001	



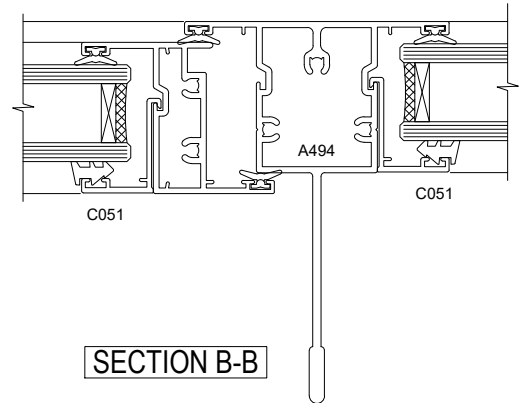
SECTION B-B



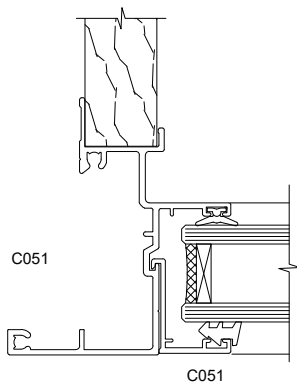
SECTION B-B



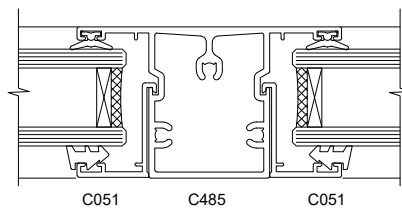
SECTION B-B



SECTION B-B



SECTION A-A



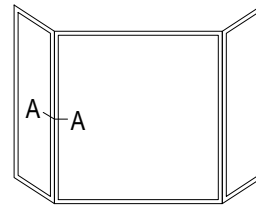
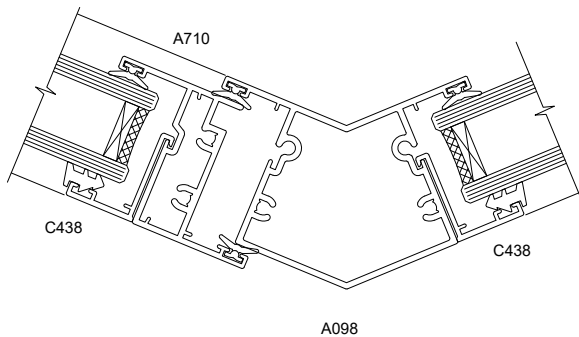
SECTION C-C

AWNING / CASEMENT WINDOW

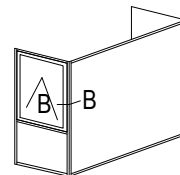
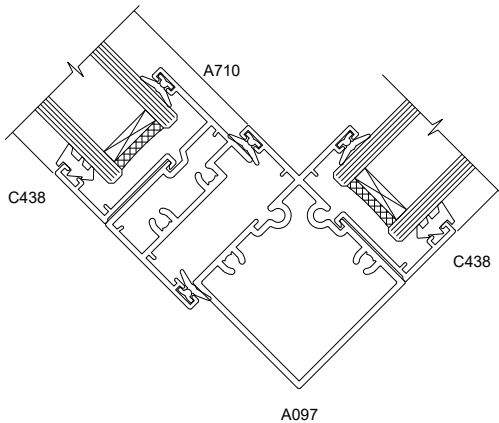
FAIRVIEW SYSTEMS LIMITED SPECIFIERS GUIDE 2014 © TECHNICAL SPECIFICATIONS & PROFILE DETAILS SUBJECT TO CHANGE WITHOUT NOTICE

ARCHITECTURAL LINEAR 40 - COMPLETE SUITE

DATE 12.06.2018	SCALE 1:2
REF. AL40.0002	



SECTION A-A



SECTION B-B

BOX & BAY WINDOW

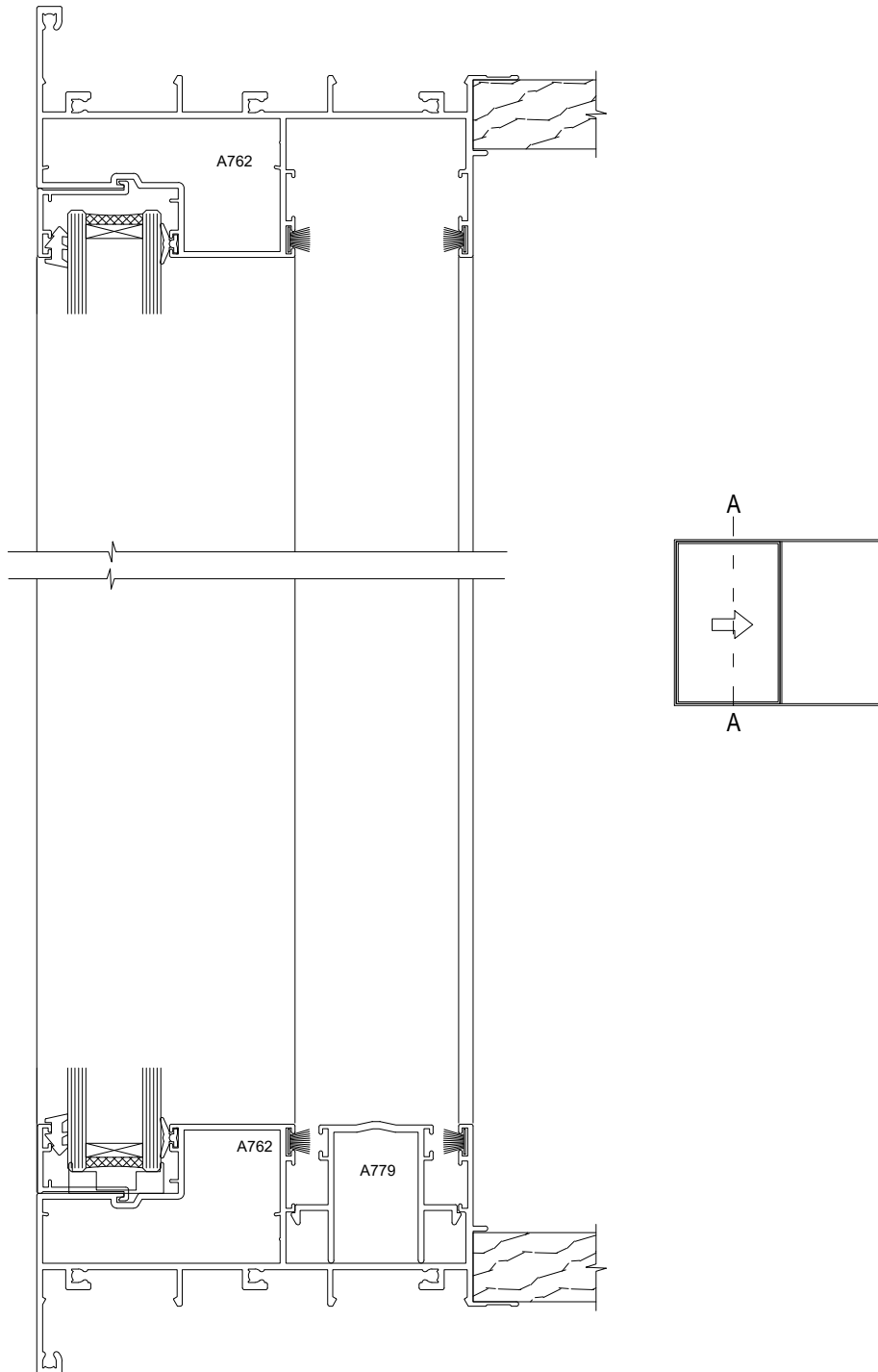
FAIRVIEW SYSTEMS LIMITED SPECIFIERS GUIDE 2014 © TECHNICAL SPECIFICATIONS & PROFILE DETAILS SUBJECT TO CHANGE WITHOUT NOTICE

ARCHITECTURAL LINEAR 40 - COMPLETE SUITE

DATE
12.06.2018

SCALE
1:2

REF. AL40.0003



SECTION A-A

SLIDING WINDOW

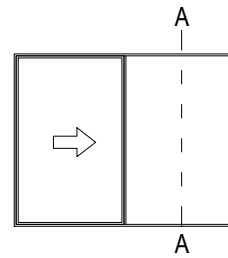
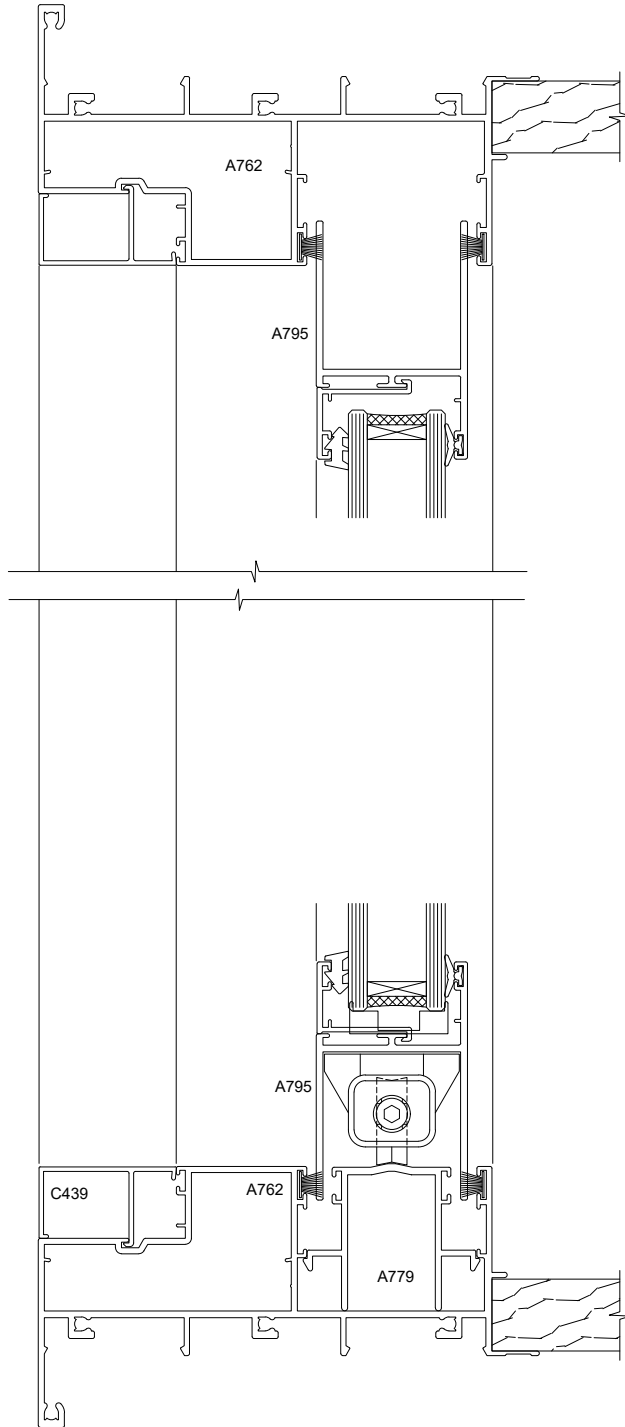
FAIRVIEW SYSTEMS LIMITED SPECIFIERS GUIDE 2014 © TECHNICAL SPECIFICATIONS & PROFILE DETAILS SUBJECT TO CHANGE WITHOUT NOTICE

ARCHITECTURAL LINEAR 40 - COMPLETE SUITE

DATE
12.06.2018

SCALE
1:2

REF. AL40.0011



SECTION A-A

SLIDING WINDOW

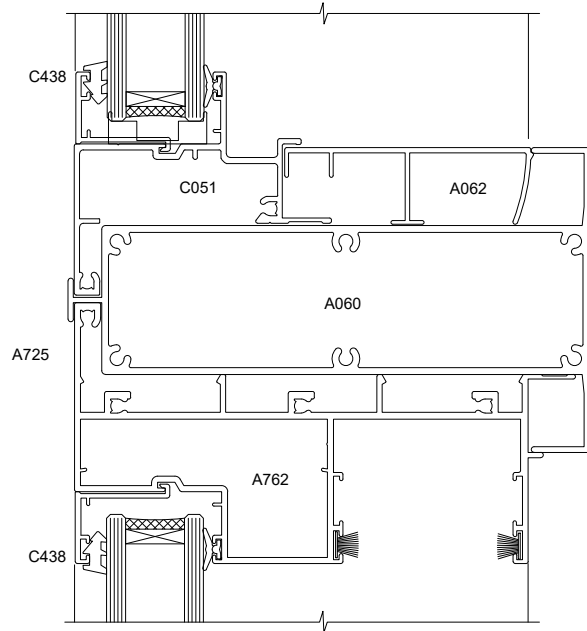
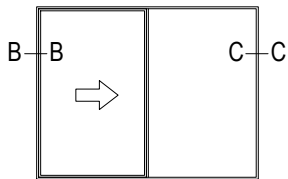
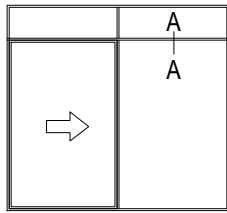
FAIRVIEW SYSTEMS LIMITED SPECIFIERS GUIDE 2014 © TECHNICAL SPECIFICATIONS & PROFILE DETAILS SUBJECT TO CHANGE WITHOUT NOTICE

ARCHITECTURAL LINEAR 40 - COMPLETE SUITE

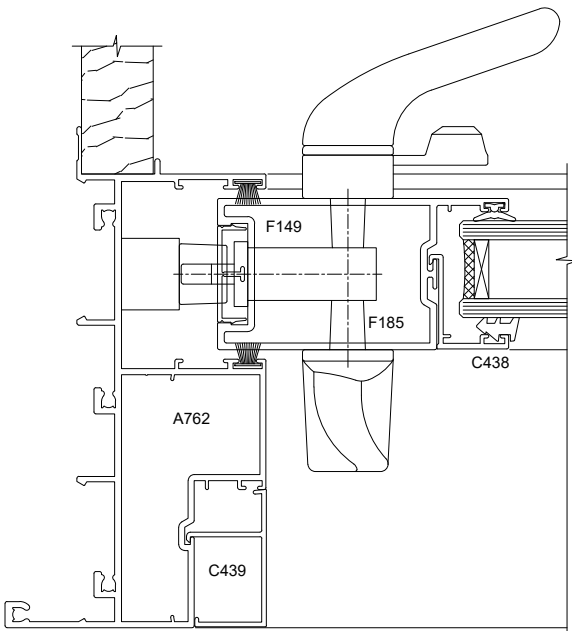
DATE
12.06.2018

SCALE
1:2

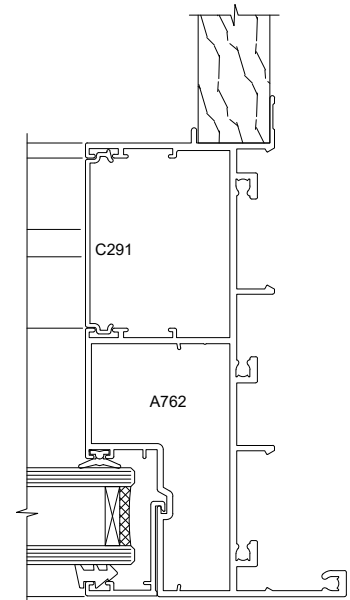
REF. AL40.0012



SECTION A-A



SECTION B-B



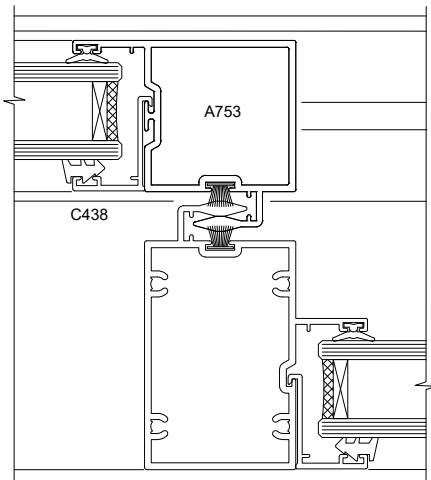
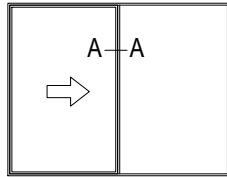
SECTION C-C

SLIDING WINDOW

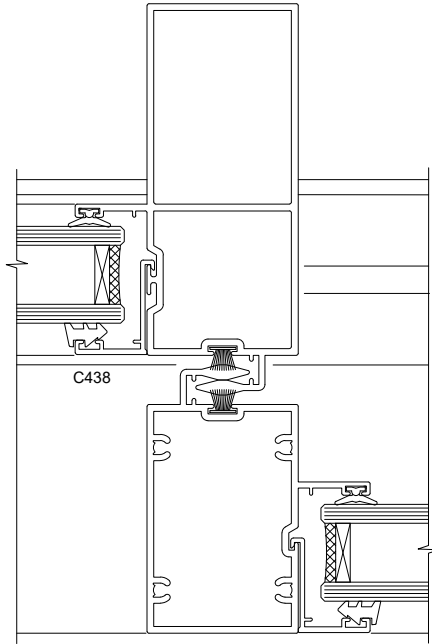
FAIRVIEW SYSTEMS LIMITED SPECIFIERS GUIDE 2014 © TECHNICAL SPECIFICATIONS & PROFILE DETAILS SUBJECT TO CHANGE WITHOUT NOTICE

ARCHITECTURAL LINEAR 40 - COMPLETE SUITE

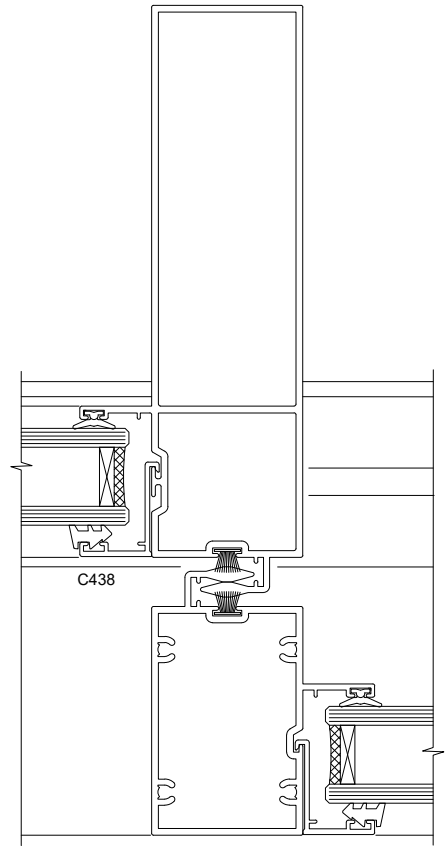
DATE 12.06.2018	SCALE 1:2
REF. AL40.0013	



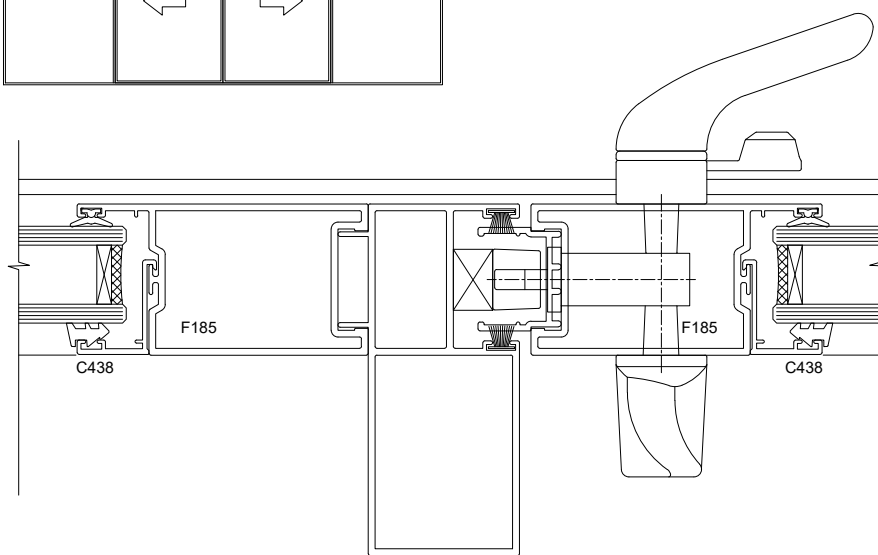
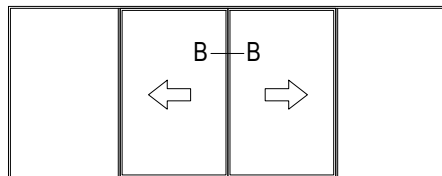
SECTION A-A



SECTION A-A



SECTION A-A



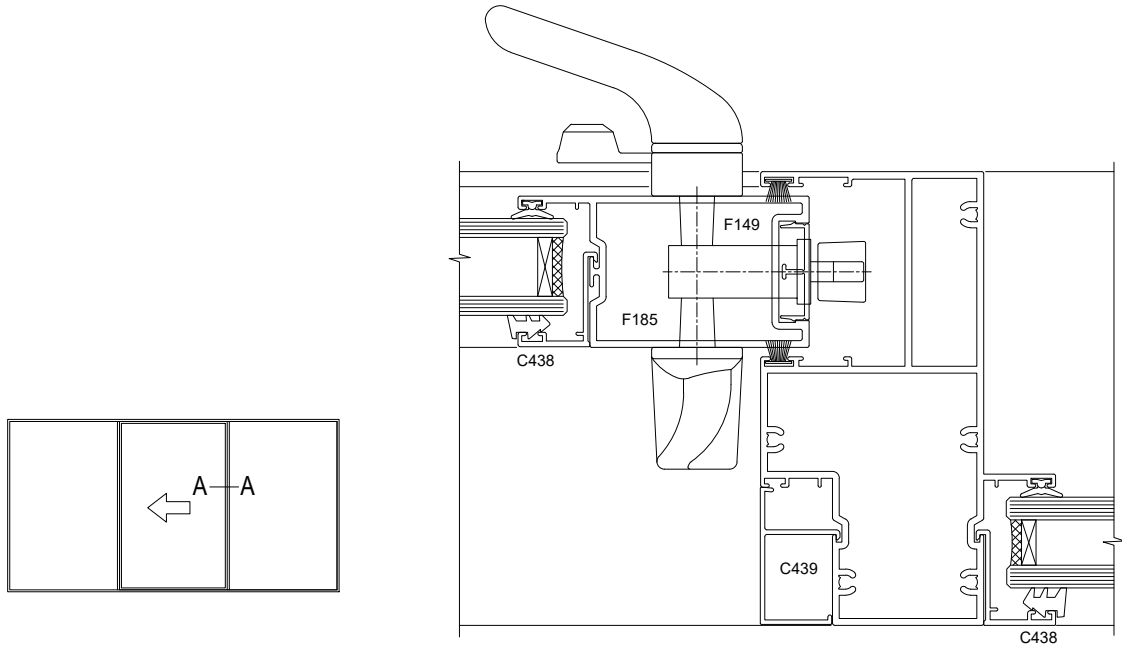
SECTION B-B

SLIDING WINDOW

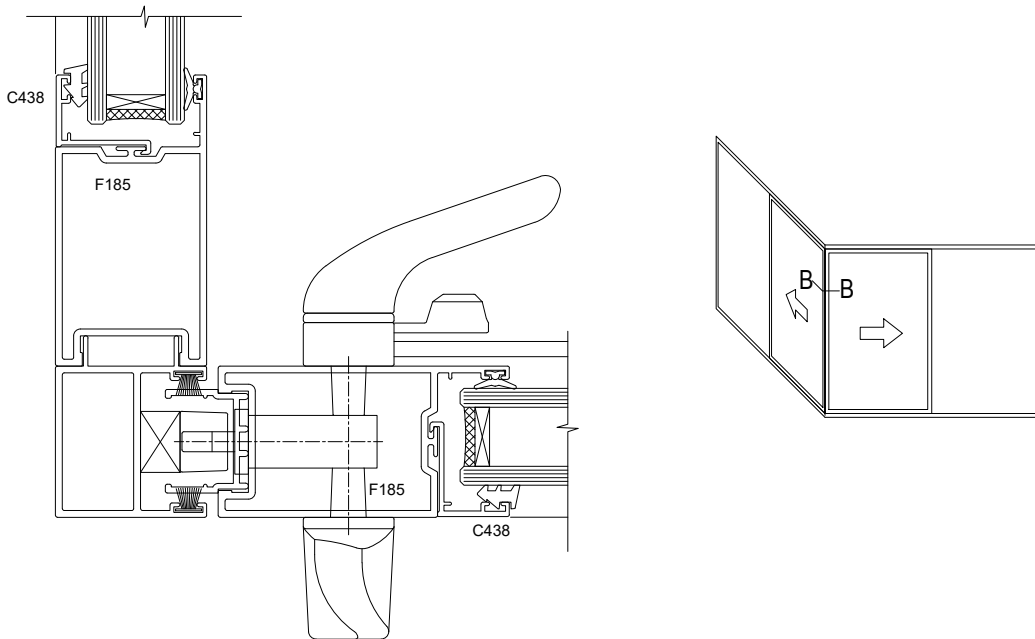
FAIRVIEW SYSTEMS LIMITED SPECIFIERS GUIDE 2014 © TECHNICAL SPECIFICATIONS & PROFILE DETAILS SUBJECT TO CHANGE WITHOUT NOTICE

ARCHITECTURAL LINEAR 40 - COMPLETE SUITE

DATE 12.06.2018	SCALE 1:2
REF. AL40.0014	



SECTION A-A



SECTION B-B

SLIDING WINDOW

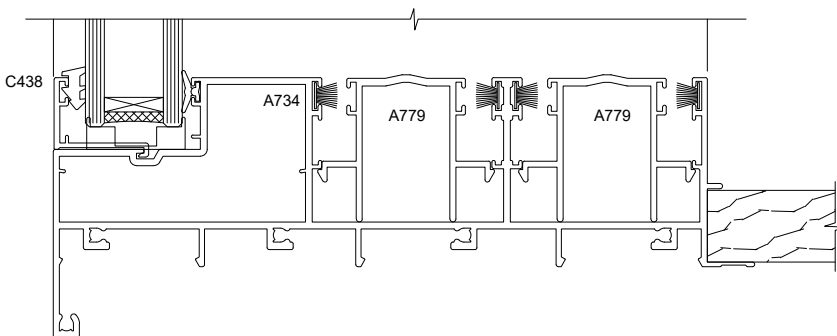
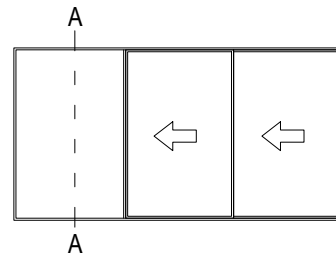
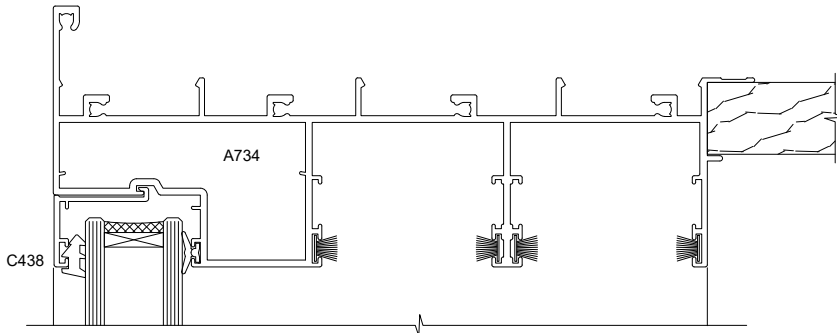
FAIRVIEW SYSTEMS LIMITED SPECIFIERS GUIDE 2014 © TECHNICAL SPECIFICATIONS & PROFILE DETAILS SUBJECT TO CHANGE WITHOUT NOTICE

ARCHITECTURAL LINEAR 40 - COMPLETE SUITE

DATE
12.06.2018

SCALE
1:2

REF. AL40.0015



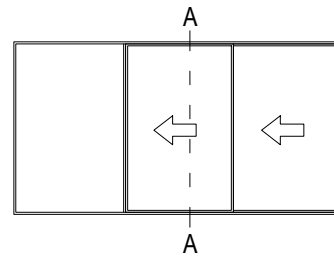
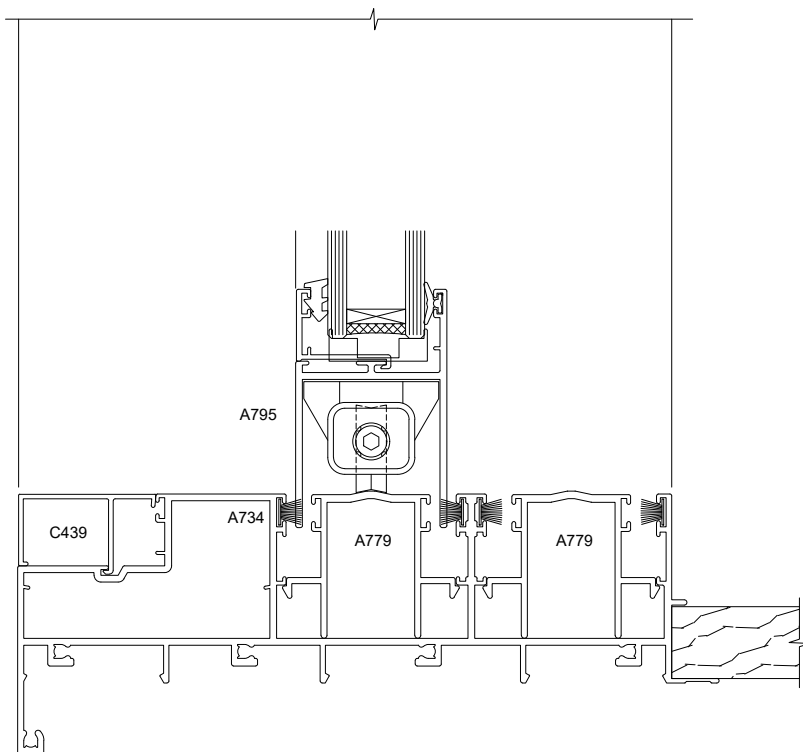
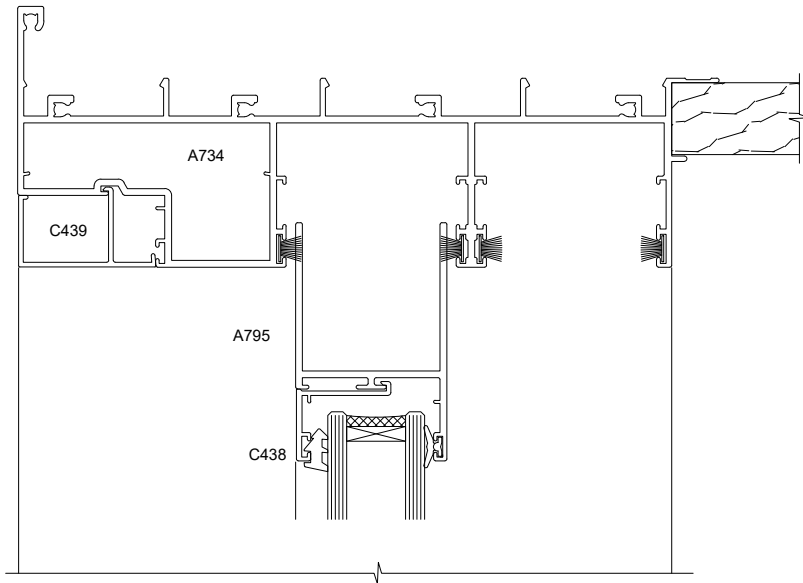
SECTION A-A

STACKING WINDOW

FAIRVIEW SYSTEMS LIMITED SPECIFIERS GUIDE 2014 © TECHNICAL SPECIFICATIONS & PROFILE DETAILS SUBJECT TO CHANGE WITHOUT NOTICE

ARCHITECTURAL LINEAR 40 - COMPLETE SUITE

DATE 12.06.2018	SCALE 1:2
REF. AL40.0021	



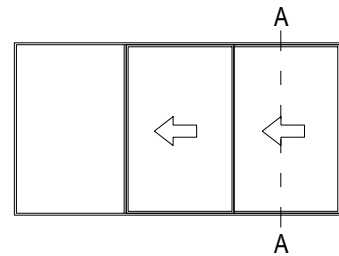
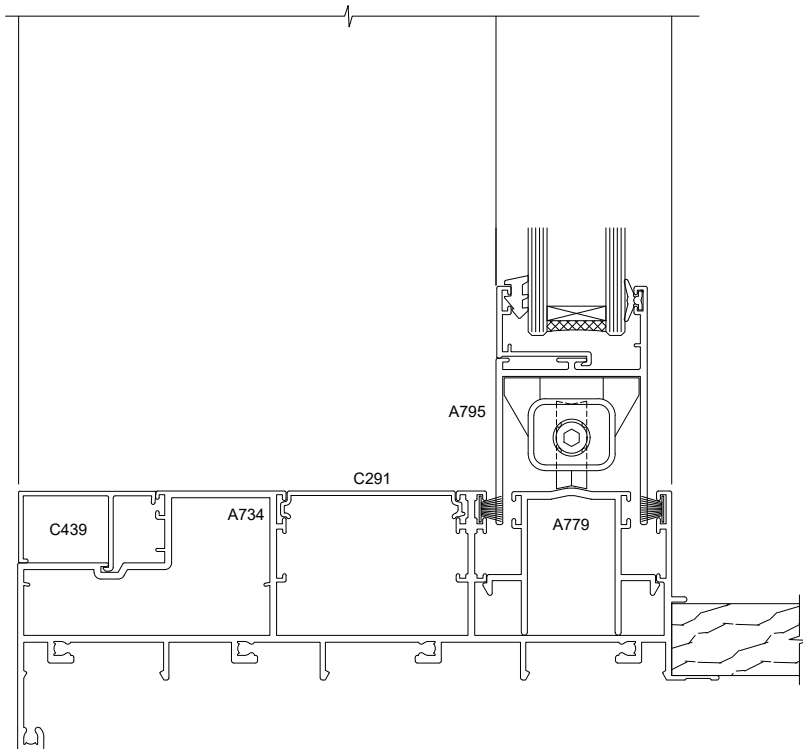
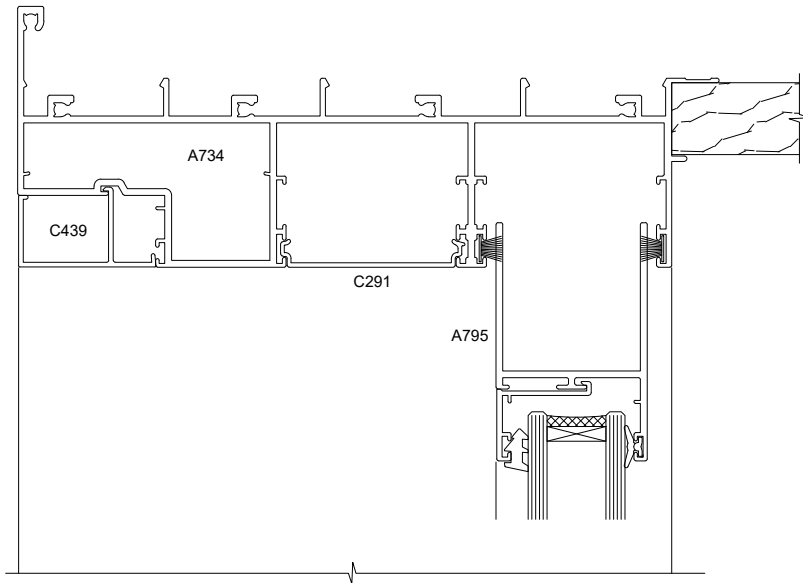
SECTION A-A

STACKING WINDOW

FAIRVIEW SYSTEMS LIMITED SPECIFIERS GUIDE 2014 © TECHNICAL SPECIFICATIONS & PROFILE DETAILS SUBJECT TO CHANGE WITHOUT NOTICE

ARCHITECTURAL LINEAR 40 - COMPLETE SUITE

DATE 12.06.2018	SCALE 1:2
REF. AL40.0022	



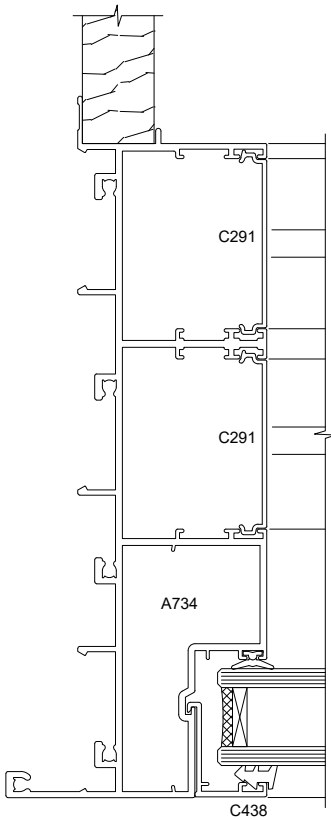
SECTION A-A

STACKING WINDOW

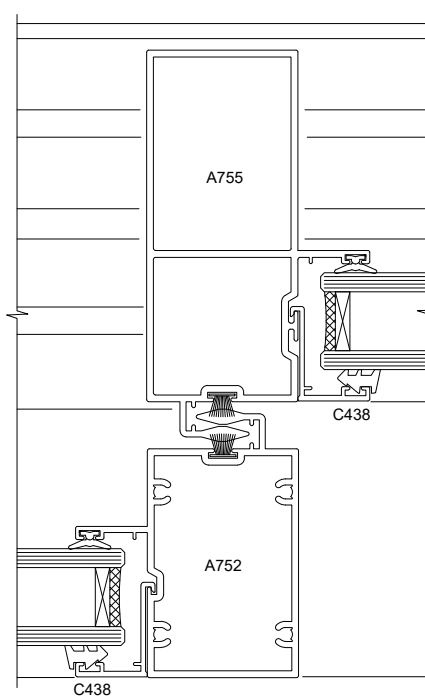
FAIRVIEW SYSTEMS LIMITED SPECIFIERS GUIDE 2014 © TECHNICAL SPECIFICATIONS & PROFILE DETAILS SUBJECT TO CHANGE WITHOUT NOTICE

ARCHITECTURAL LINEAR 40 - COMPLETE SUITE

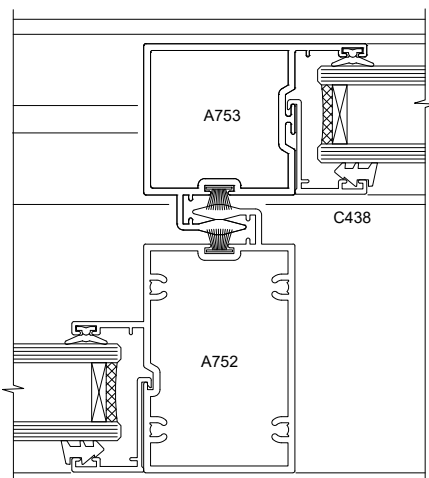
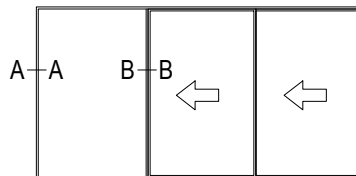
DATE 12.06.2018	SCALE 1:2
REF. AL40.0023	



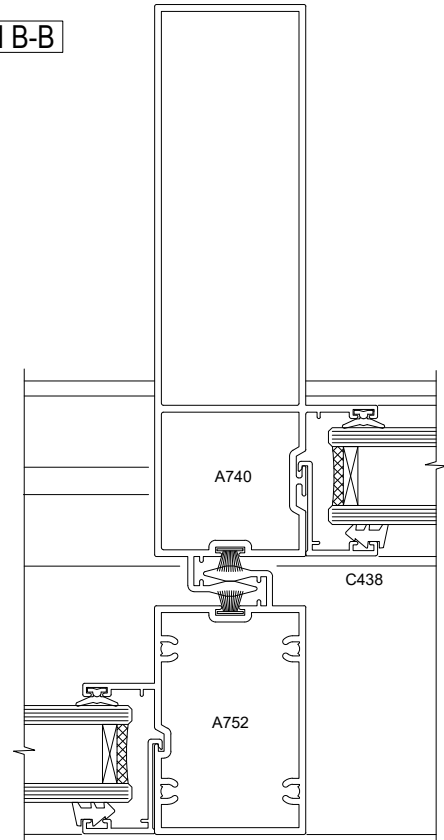
SECTION A-A



SECTION B-B



SECTION B-B



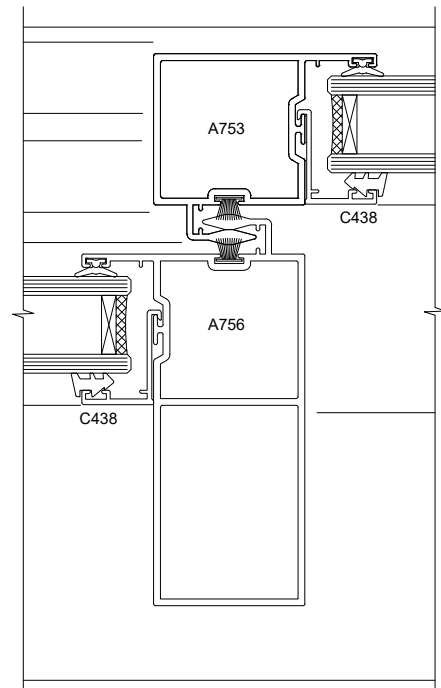
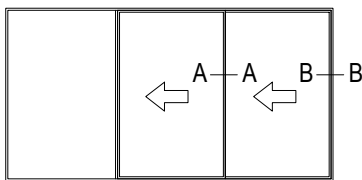
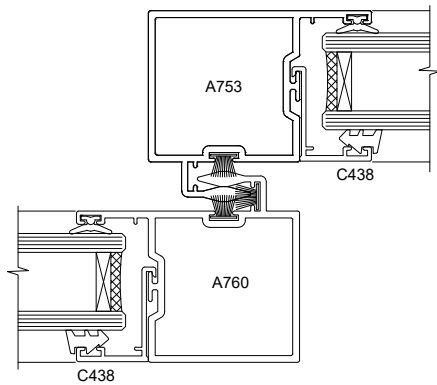
SECTION B-B

STACKING WINDOW

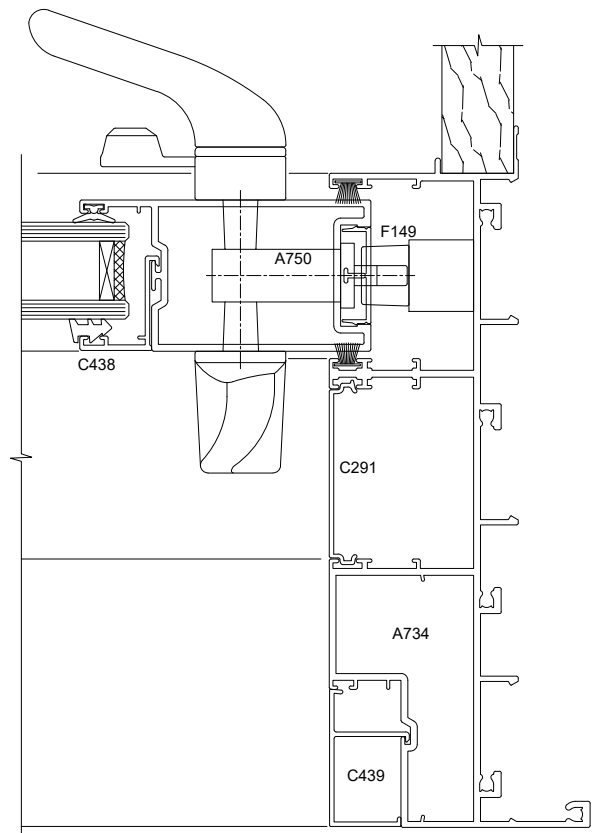
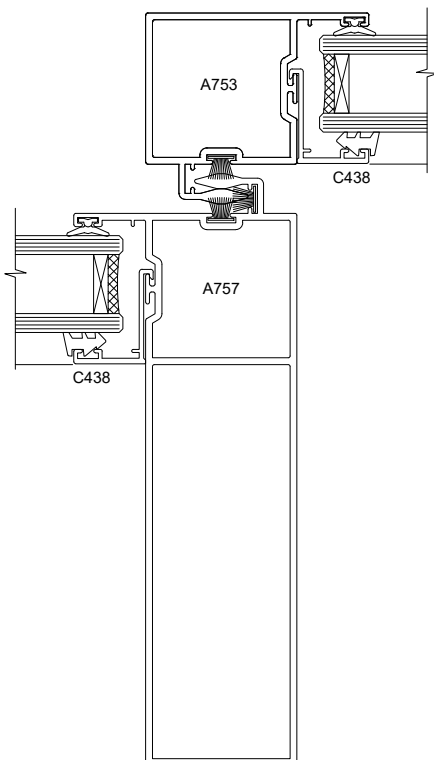
FAIRVIEW SYSTEMS LIMITED SPECIFIERS GUIDE 2014 © TECHNICAL SPECIFICATIONS & PROFILE DETAILS SUBJECT TO CHANGE WITHOUT NOTICE

ARCHITECTURAL LINEAR 40 - COMPLETE SUITE

DATE 12.06.2018	SCALE 1:2
REF. AL40.0024	



SECTION A-A

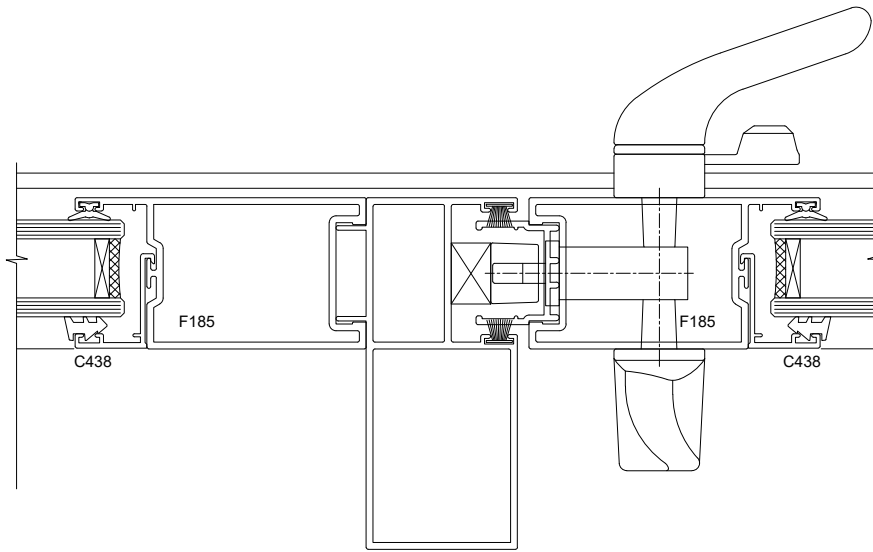


STACKING WINDOW

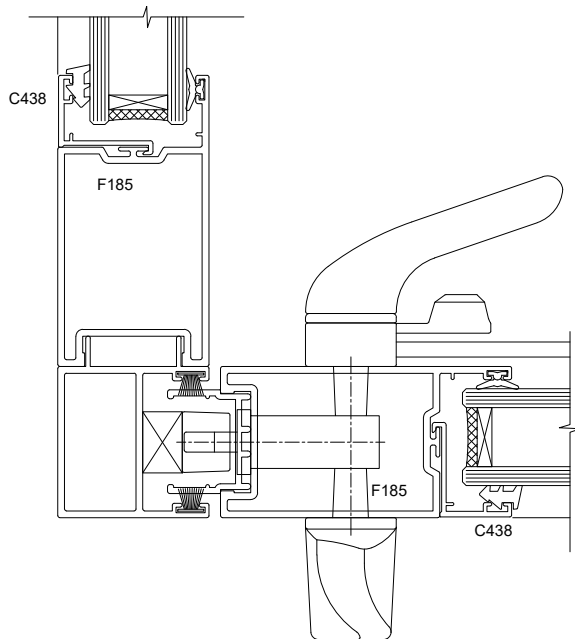
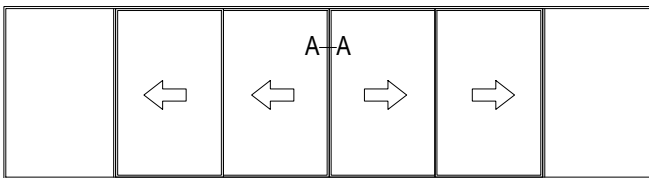
FAIRVIEW SYSTEMS LIMITED SPECIFIERS GUIDE 2014 © TECHNICAL SPECIFICATIONS & PROFILE DETAILS SUBJECT TO CHANGE WITHOUT NOTICE

ARCHITECTURAL LINEAR 40 - COMPLETE SUITE

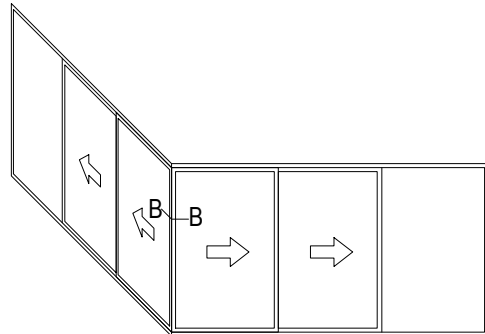
DATE 12.06.2018	SCALE 1:2
REF. AL40.0025	



SECTION A-A



SECTION B-B



STACKING WINDOW

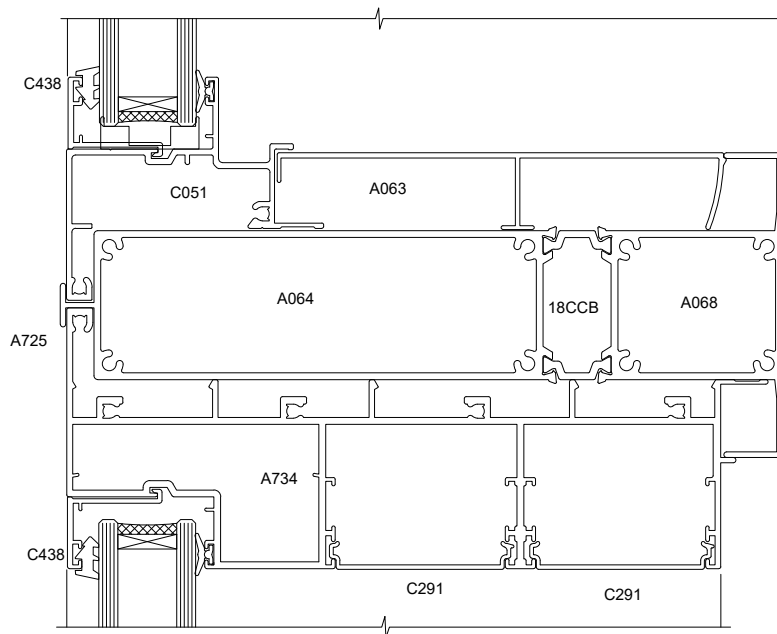
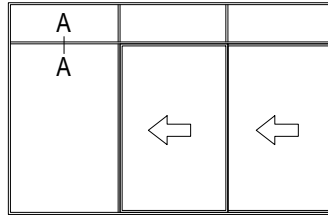
FAIRVIEW SYSTEMS LIMITED SPECIFIERS GUIDE 2014 © TECHNICAL SPECIFICATIONS & PROFILE DETAILS SUBJECT TO CHANGE WITHOUT NOTICE

ARCHITECTURAL LINEAR 40 - COMPLETE SUITE

DATE
12.06.2018

SCALE
1:2

REF. AL40.0026



SECTION A-A

STACKING WINDOW

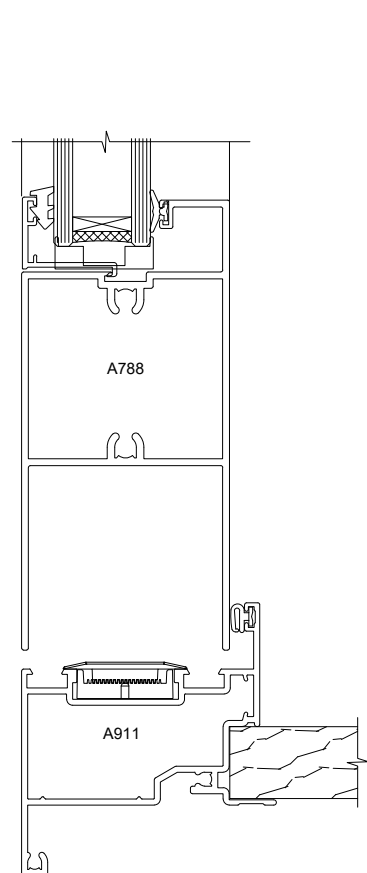
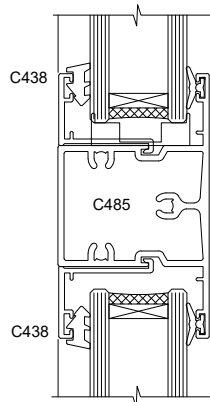
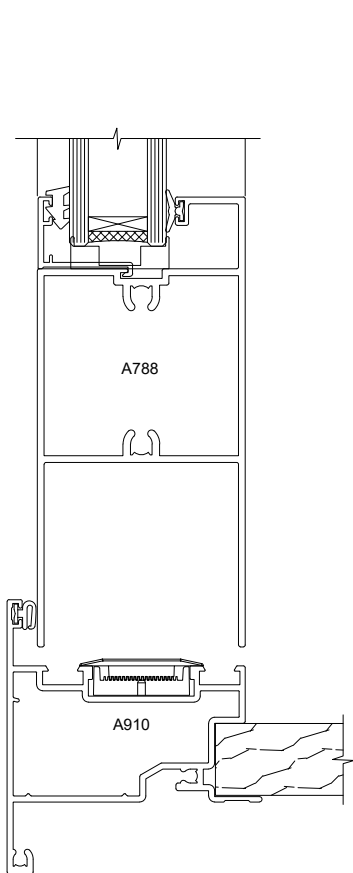
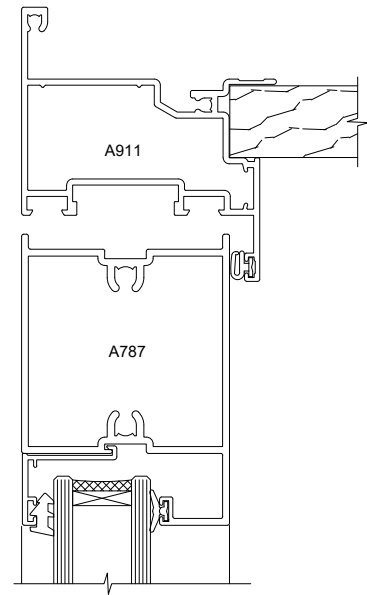
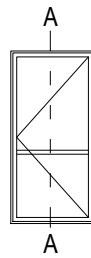
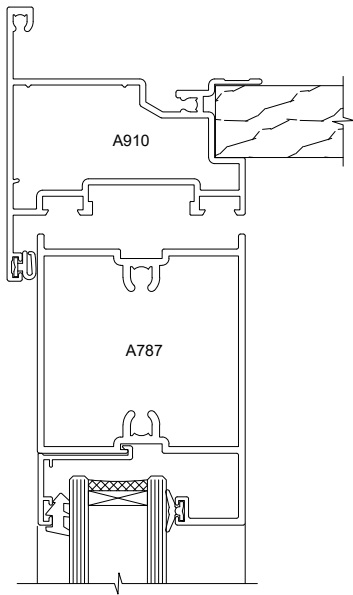
FAIRVIEW SYSTEMS LIMITED SPECIFIERS GUIDE 2014 © TECHNICAL SPECIFICATIONS & PROFILE DETAILS SUBJECT TO CHANGE WITHOUT NOTICE

ARCHITECTURAL LINEAR 40 - COMPLETE SUITE

DATE
12.06.2018

SCALE
1:2

REF. AL40.0027



SECTION A-A

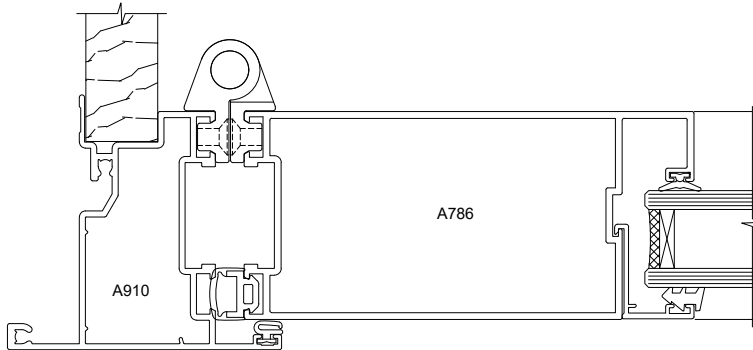
SECTION A-A

HINGED DOOR

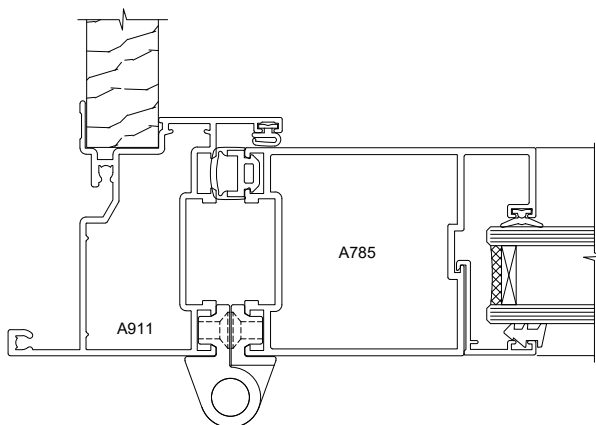
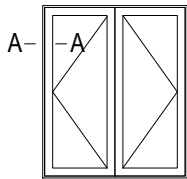
FAIRVIEW SYSTEMS LIMITED SPECIFIERS GUIDE 2014 © TECHNICAL SPECIFICATIONS & PROFILE DETAILS SUBJECT TO CHANGE WITHOUT NOTICE

ARCHITECTURAL LINEAR 40 - COMPLETE SUITE

DATE 12.06.2018	SCALE 1:2
REF. AL40.0031	



SECTION A-A
WIDE STILE OPTION



SECTION A-A
STANDARD STILE OPTION

HINGED DOOR

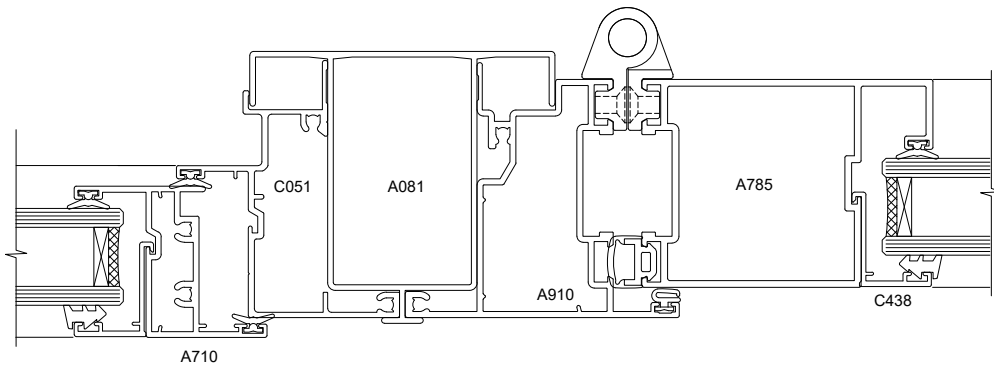
FAIRVIEW SYSTEMS LIMITED SPECIFIERS GUIDE 2014 © TECHNICAL SPECIFICATIONS & PROFILE DETAILS SUBJECT TO CHANGE WITHOUT NOTICE

ARCHITECTURAL LINEAR 40 - COMPLETE SUITE

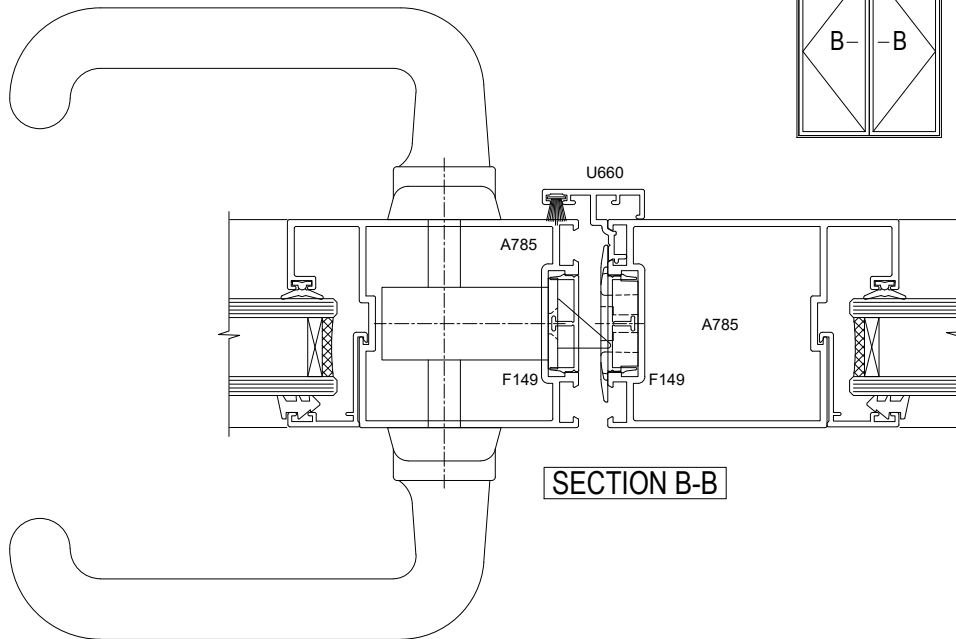
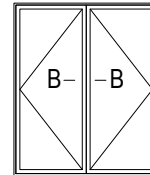
DATE
12.06.2018

SCALE
1:2

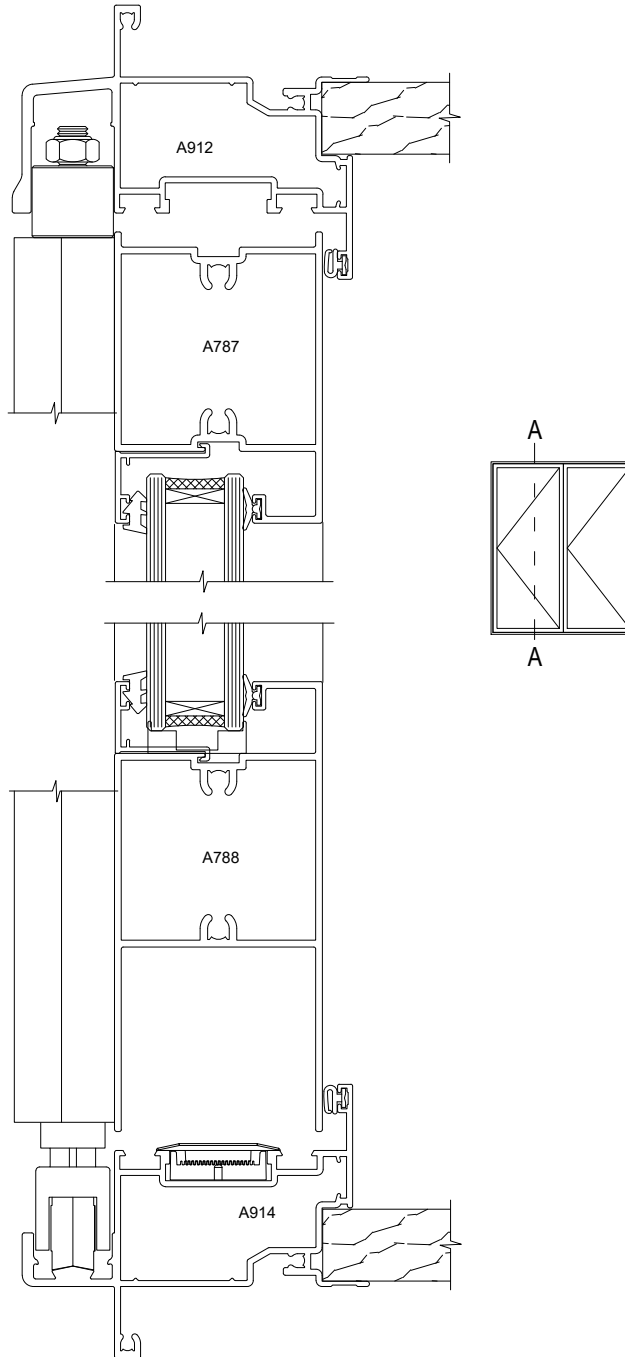
REF. AL40.0032



SECTION A-A



SECTION B-B



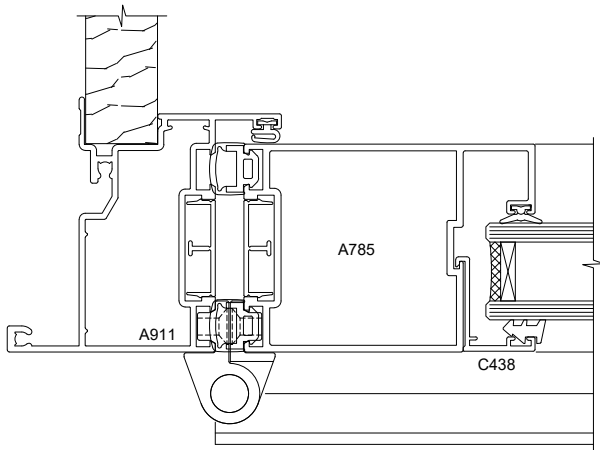
SECTION A-A

BOTTOM ROLLING BIFOLD DOOR

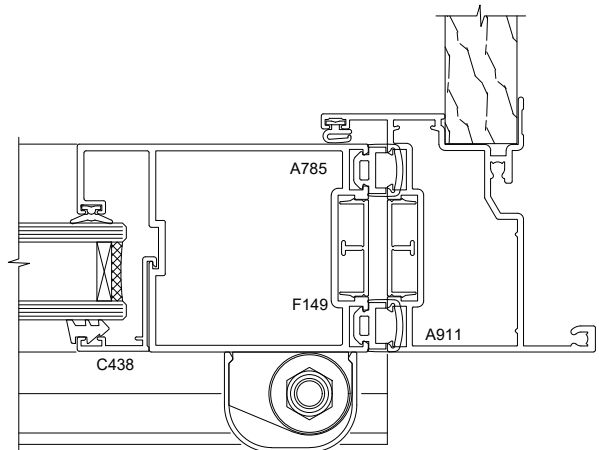
FAIRVIEW SYSTEMS LIMITED SPECIFIERS GUIDE 2014 © TECHNICAL SPECIFICATIONS & PROFILE DETAILS SUBJECT TO CHANGE WITHOUT NOTICE

ARCHITECTURAL LINEAR 40 - COMPLETE SUITE

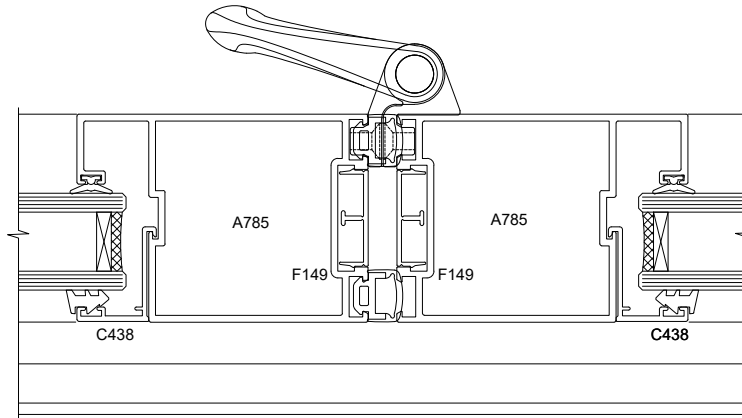
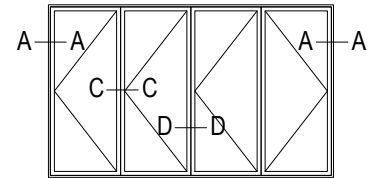
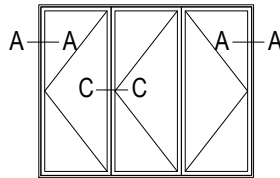
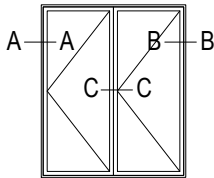
DATE 12.06.2018	SCALE 1:2
REF. AL40.0041	



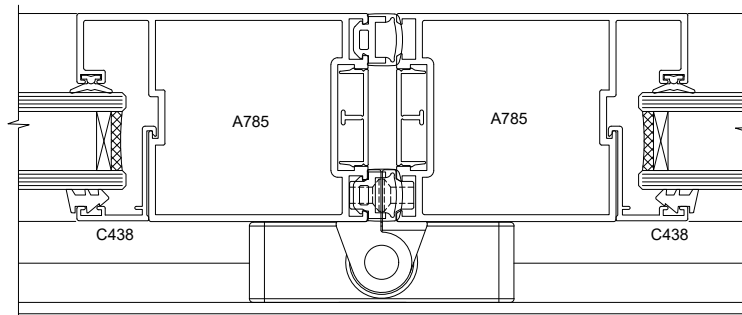
SECTION A-A



SECTION B-B



SECTION C-C



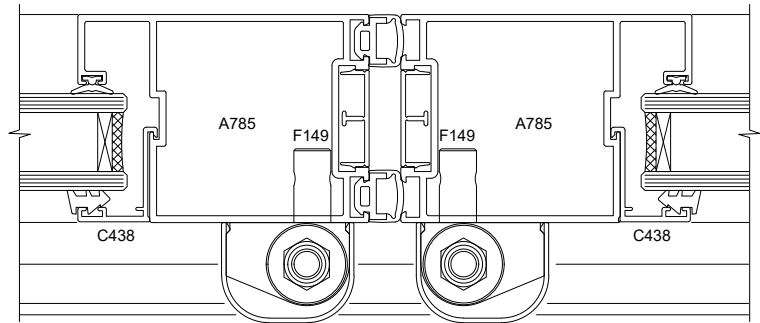
SECTION D-D

BOTTOM ROLLING BIFOLD DOOR

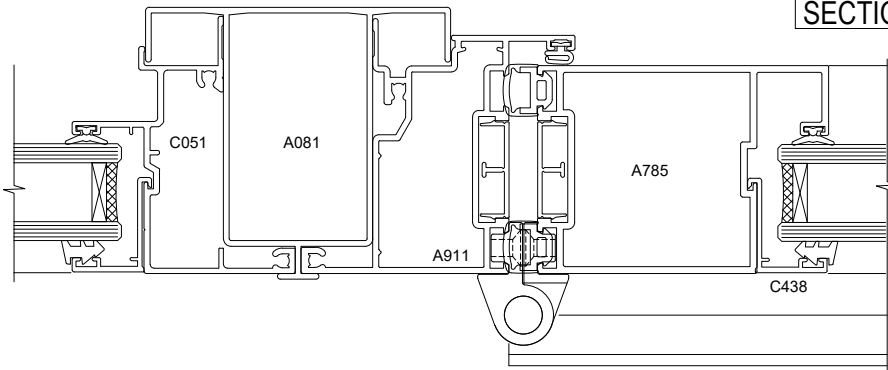
FAIRVIEW SYSTEMS LIMITED SPECIFIERS GUIDE 2014 © TECHNICAL SPECIFICATIONS & PROFILE DETAILS SUBJECT TO CHANGE WITHOUT NOTICE

ARCHITECTURAL LINEAR 40 - COMPLETE SUITE

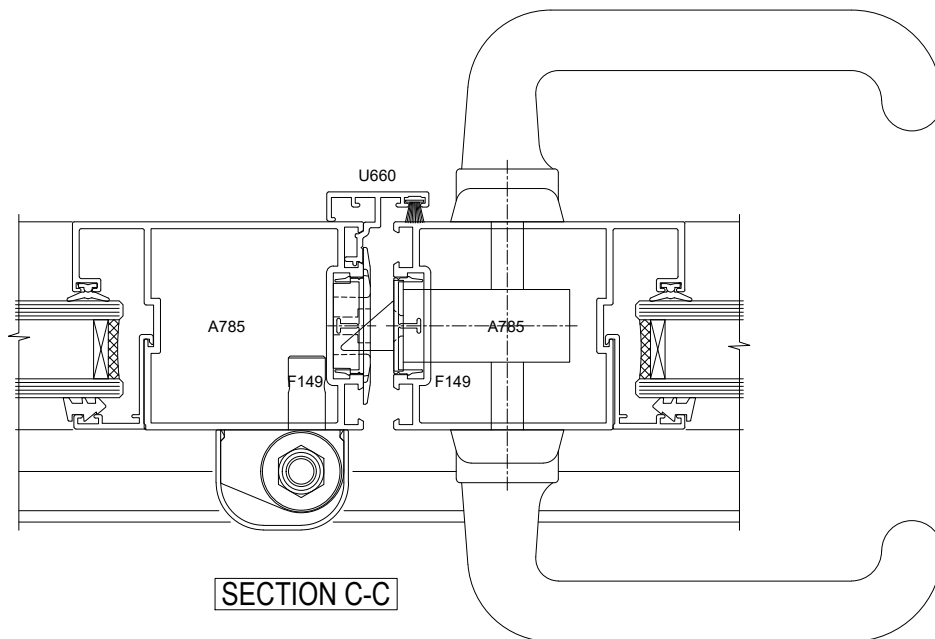
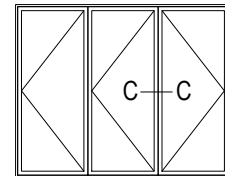
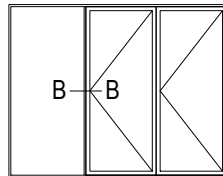
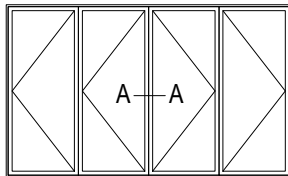
DATE 12.06.2018	SCALE 1:2
REF. AL40.0042	



SECTION A-A



SECTION B-B



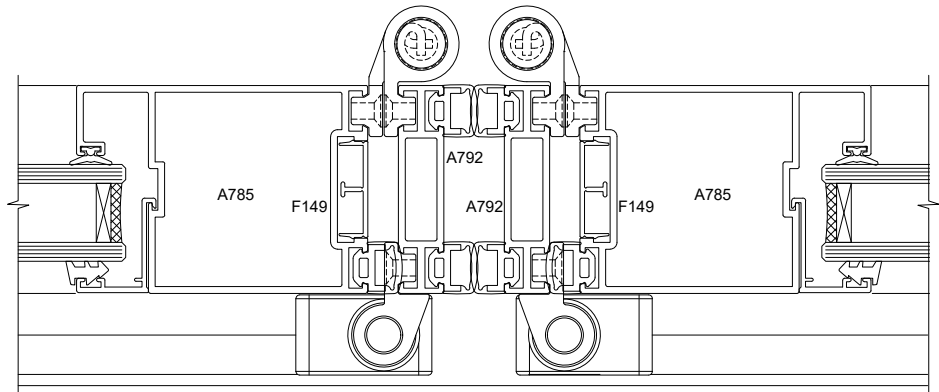
SECTION C-C

BOTTOM ROLLING BIFOLD DOOR

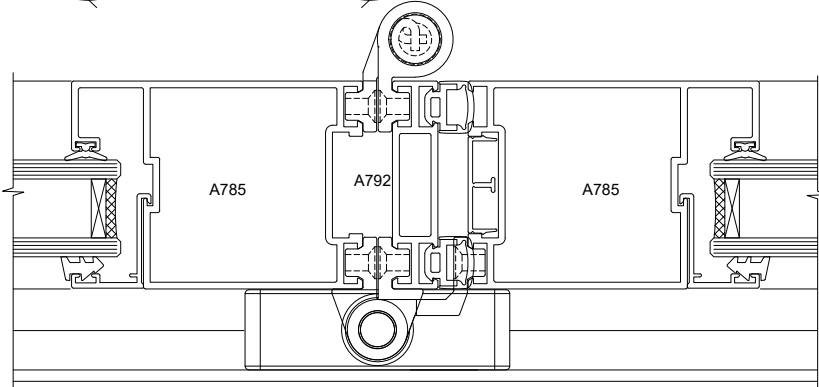
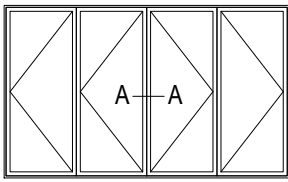
FAIRVIEW SYSTEMS LIMITED SPECIFIERS GUIDE 2014 © TECHNICAL SPECIFICATIONS & PROFILE DETAILS SUBJECT TO CHANGE WITHOUT NOTICE

ARCHITECTURAL LINEAR 40 - COMPLETE SUITE

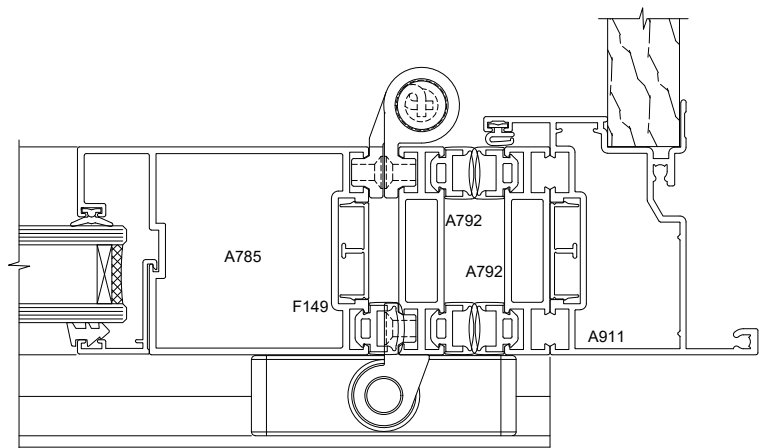
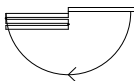
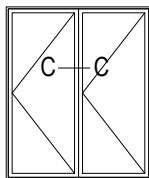
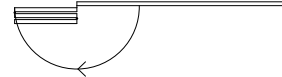
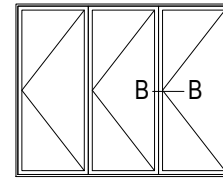
DATE 12.06.2018	SCALE 1:2
REF. AL40.0043	



SECTION A-A



SECTION B-B



SECTION C-C

FREEFOLD

BOTTOM ROLLING BIFOLD DOOR

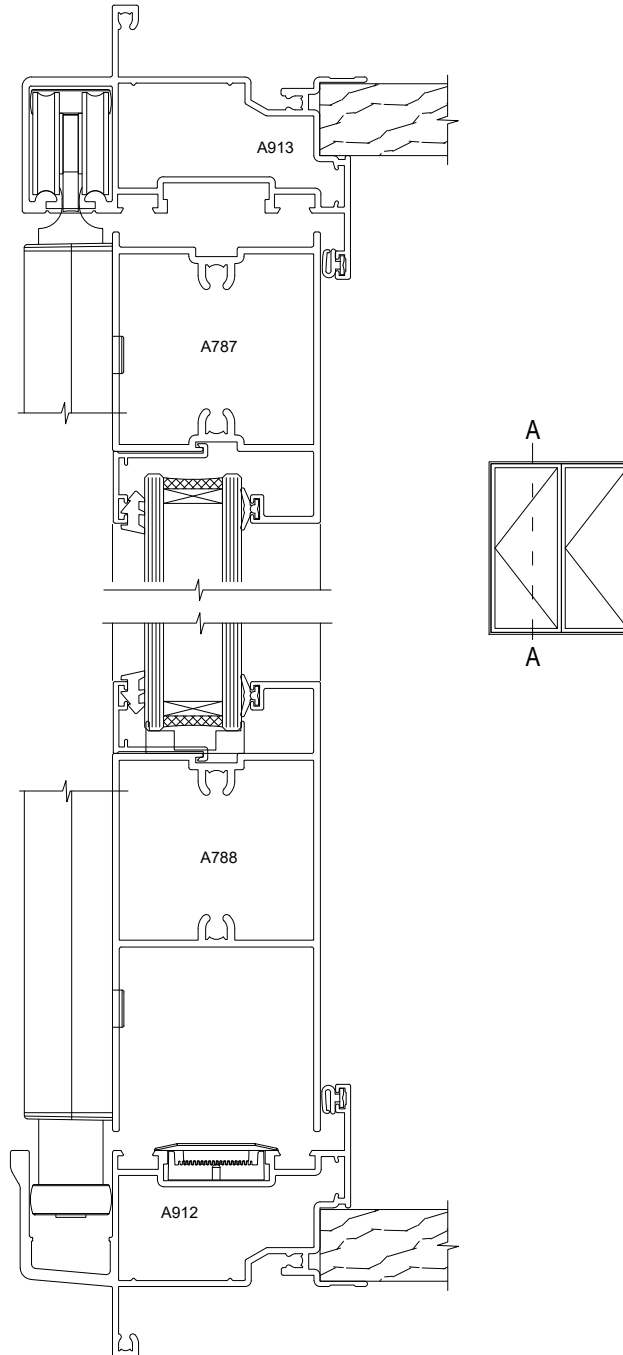
FAIRVIEW SYSTEMS LIMITED SPECIFIERS GUIDE 2014 © TECHNICAL SPECIFICATIONS & PROFILE DETAILS SUBJECT TO CHANGE WITHOUT NOTICE

ARCHITECTURAL LINEAR 40 - COMPLETE SUITE

DATE
12.06.2018

SCALE
1:2

REF. AL40.0044



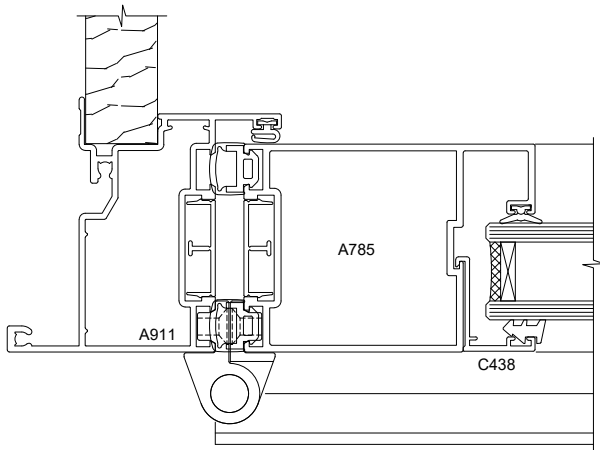
SECTION A-A

TOP HUNG CHANEL GUIDE BIFOLD DOOR

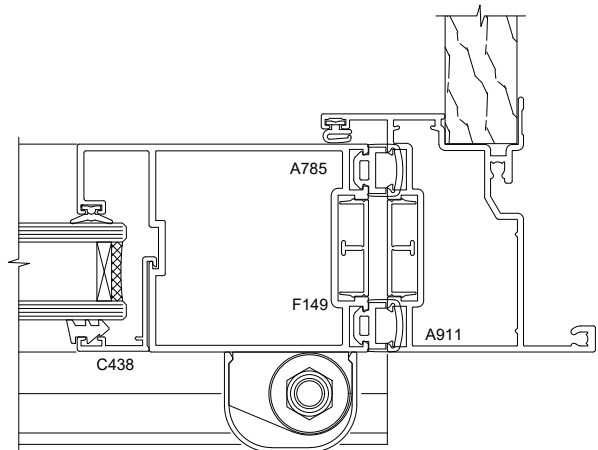
FAIRVIEW SYSTEMS LIMITED SPECIFIERS GUIDE 2014 © TECHNICAL SPECIFICATIONS & PROFILE DETAILS SUBJECT TO CHANGE WITHOUT NOTICE

ARCHITECTURAL LINEAR 40 - COMPLETE SUITE

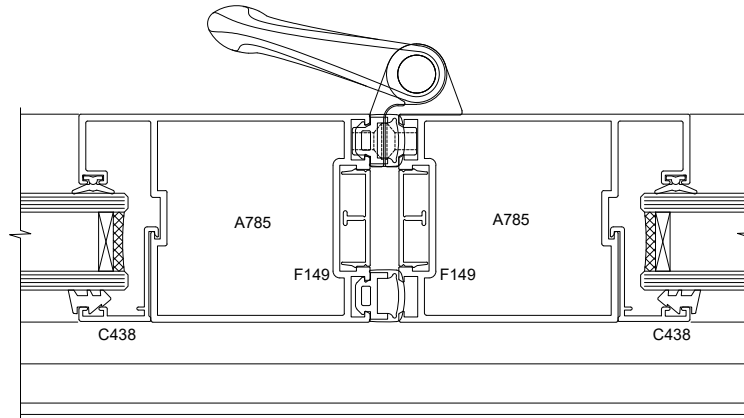
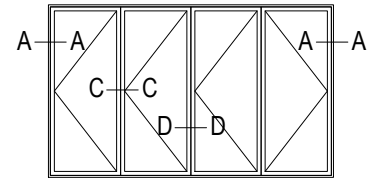
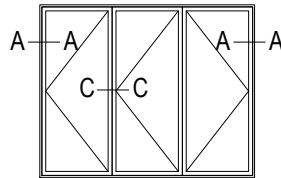
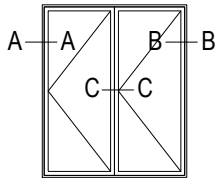
DATE 12.06.2018	SCALE 1:2
REF. AL40.0051	



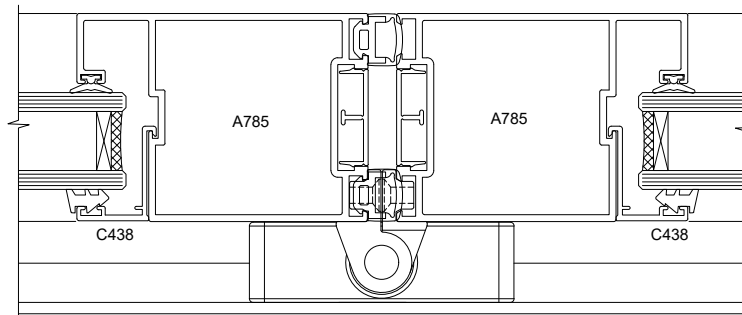
SECTION A-A



SECTION B-B



SECTION C-C



SECTION D-D

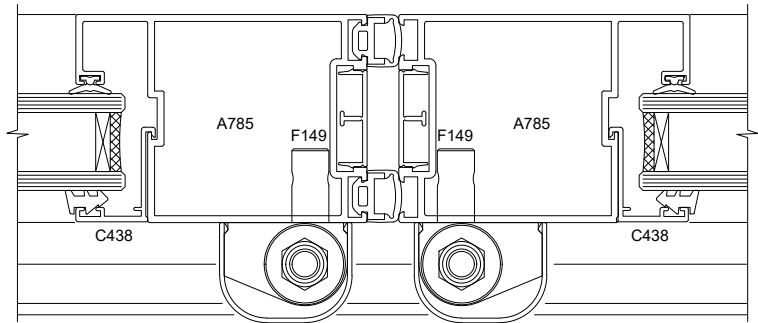
TOP HUNG CHANEL GUIDE BIFOLD DOOR

FAIRVIEW SYSTEMS LIMITED SPECIFIERS GUIDE 2014 © TECHNICAL SPECIFICATIONS & PROFILE DETAILS SUBJECT TO CHANGE WITHOUT NOTICE

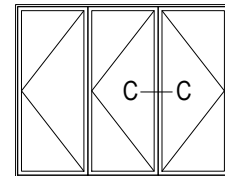
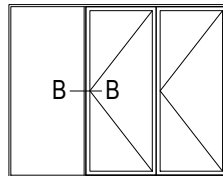
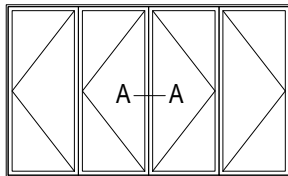
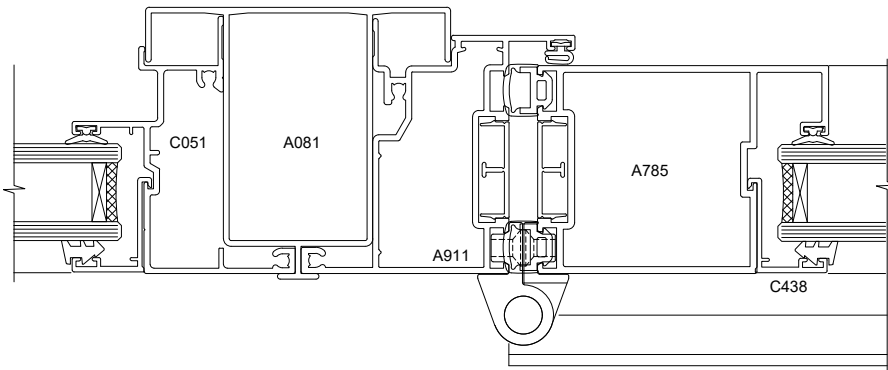
ARCHITECTURAL LINEAR 40 - COMPLETE SUITE

DATE 12.06.2018	SCALE 1:2
REF. AL40.0052	

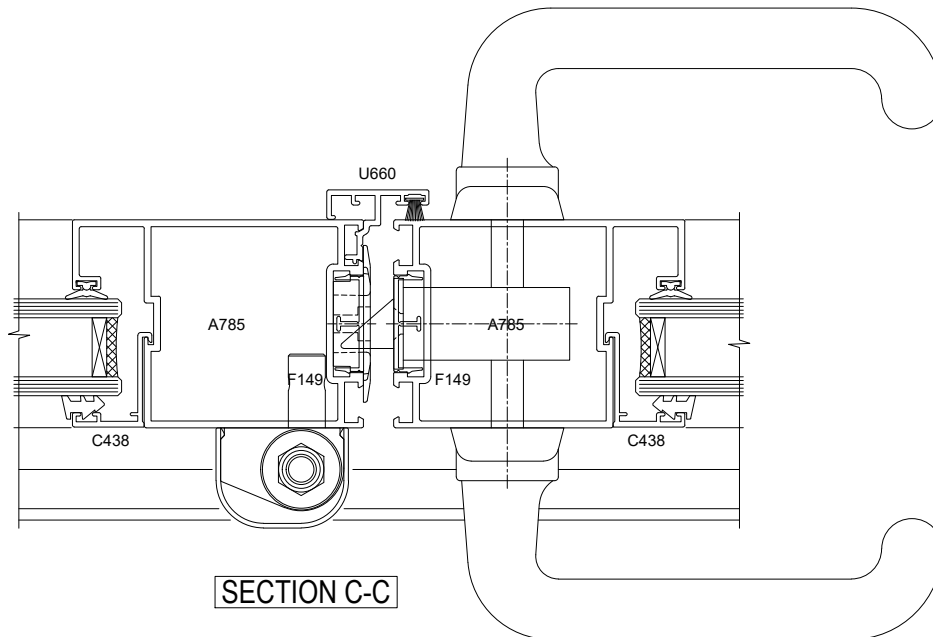
SECTION A-A



SECTION B-B



SECTION C-C

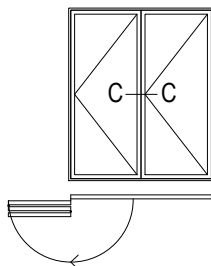
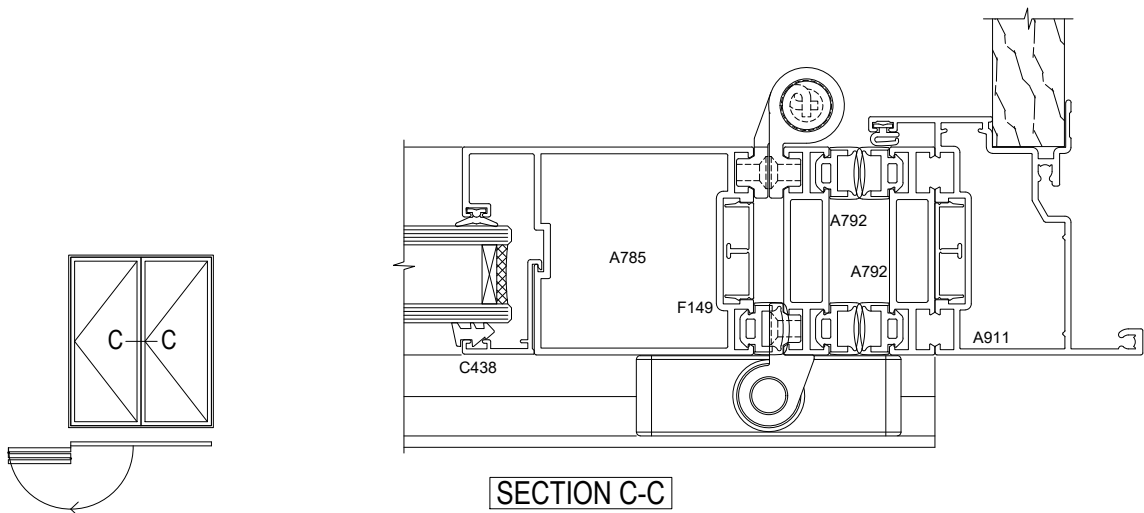
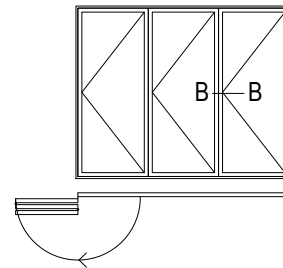
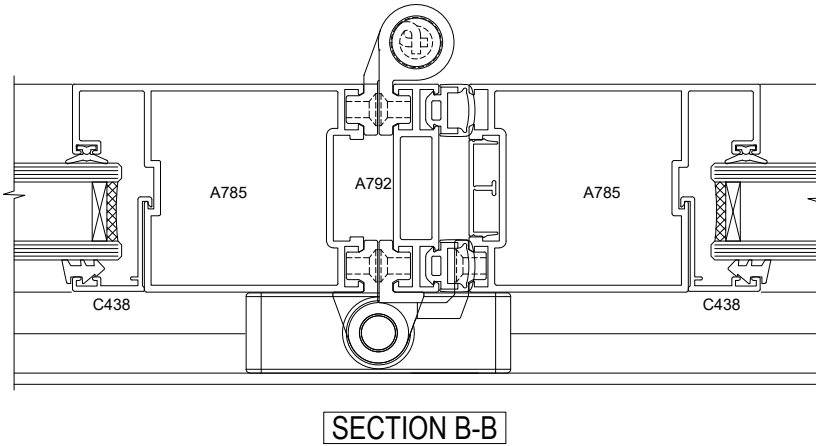
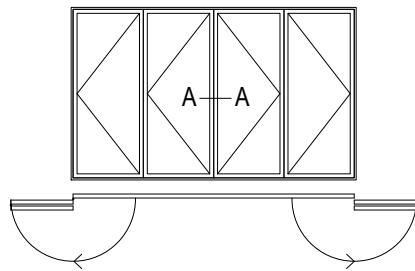
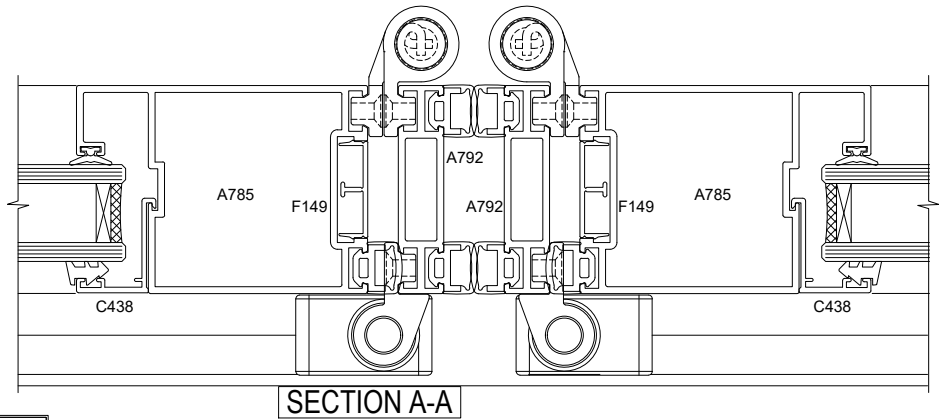


TOP HUNG CHANEL GUIDE BIFOLD DOOR

FAIRVIEW SYSTEMS LIMITED SPECIFIERS GUIDE 2014 © TECHNICAL SPECIFICATIONS & PROFILE DETAILS SUBJECT TO CHANGE WITHOUT NOTICE

ARCHITECTURAL LINEAR 40 - COMPLETE SUITE

DATE 12.06.2018	SCALE 1:2
REF. AL40.0053	



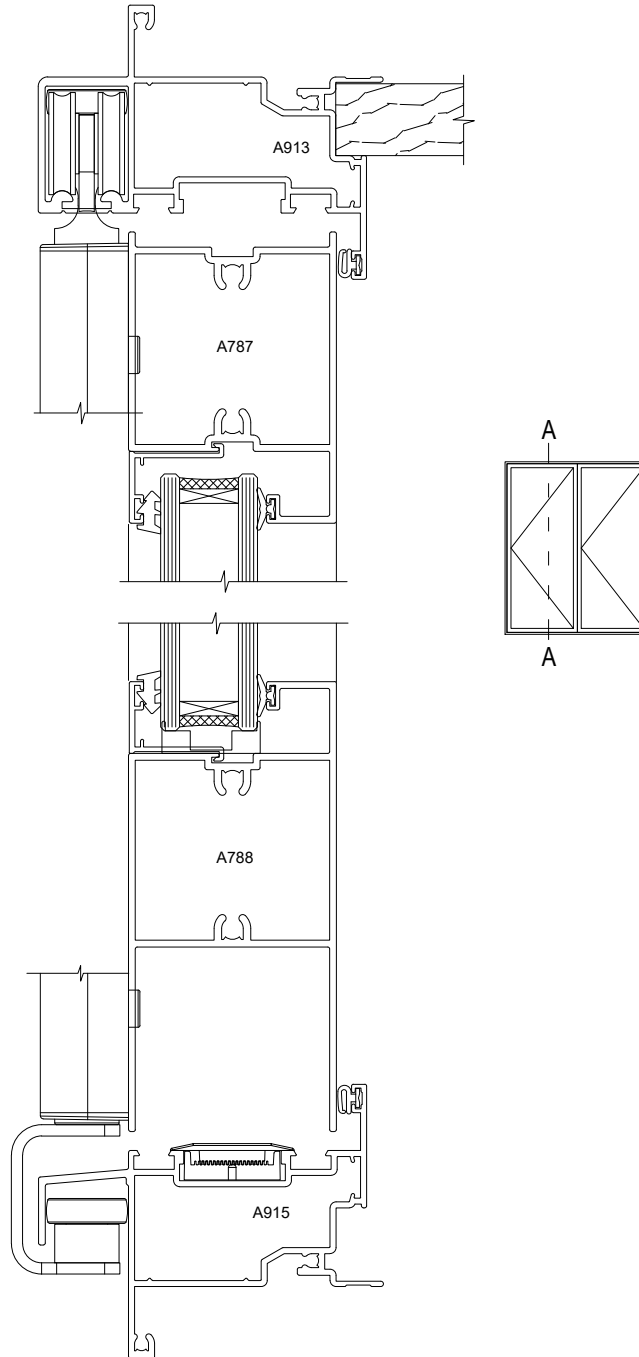
FREEFOLD

TOP HUNG CHANEL GUIDE BIFOLD DOOR

FAIRVIEW SYSTEMS LIMITED SPECIFIERS GUIDE 2014 © TECHNICAL SPECIFICATIONS & PROFILE DETAILS SUBJECT TO CHANGE WITHOUT NOTICE

ARCHITECTURAL LINEAR 40 - COMPLETE SUITE

DATE 12.06.2018	SCALE 1:2
REF. AL40.0054	



SECTION A-A

TOP HUNG HOODED GUIDE BIFOLD DOOR

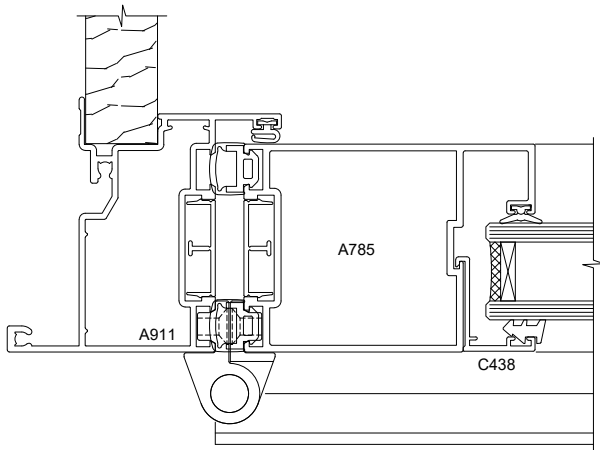
FAIRVIEW SYSTEMS LIMITED SPECIFIERS GUIDE 2014 © TECHNICAL SPECIFICATIONS & PROFILE DETAILS SUBJECT TO CHANGE WITHOUT NOTICE

ARCHITECTURAL LINEAR 40 - COMPLETE SUITE

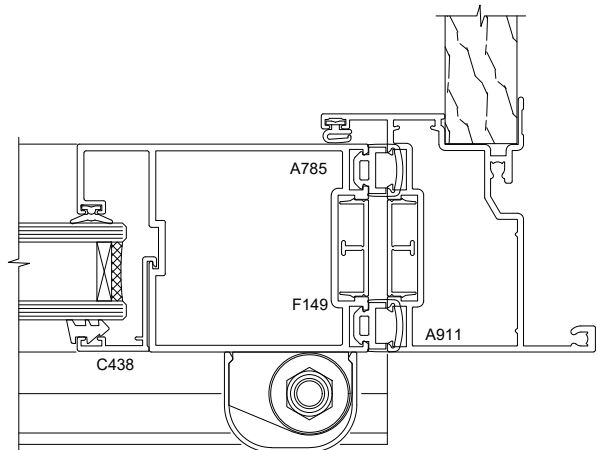
DATE
12.06.2018

SCALE
1:2

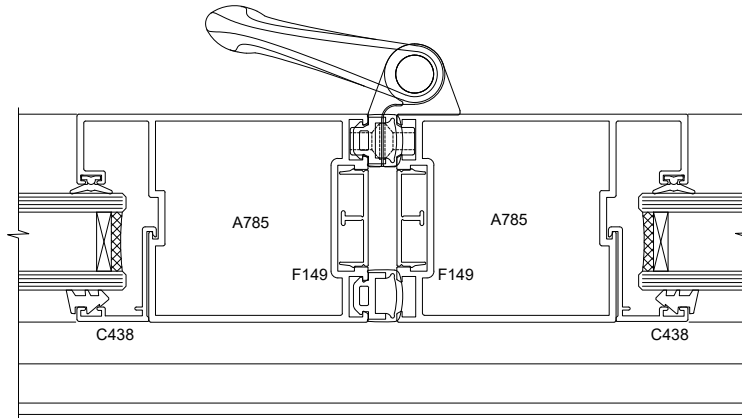
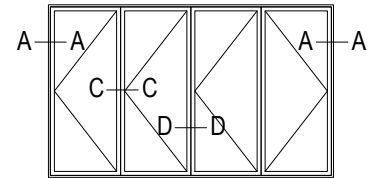
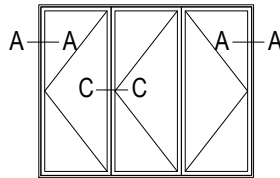
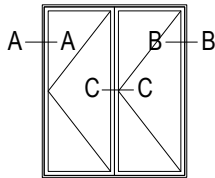
REF. AL40.0061



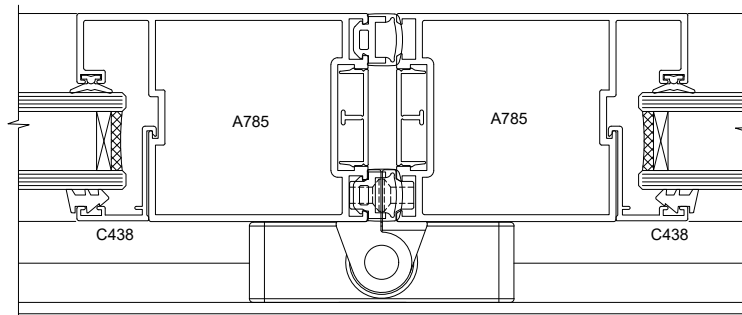
SECTION A-A



SECTION B-B



SECTION C-C



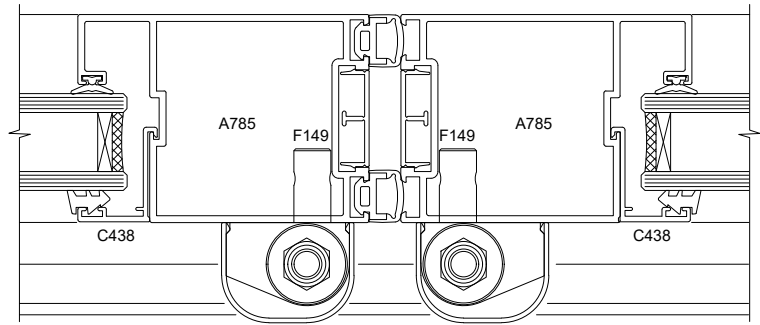
SECTION D-D

TOP HUNG HOODED GUIDE BIFOLD DOOR

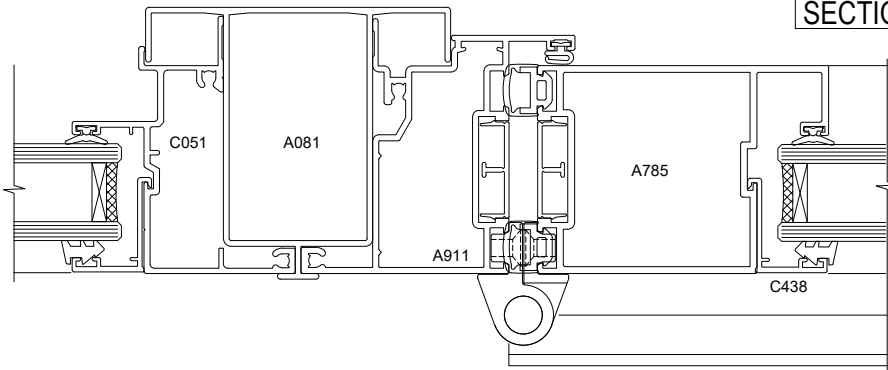
FAIRVIEW SYSTEMS LIMITED SPECIFIERS GUIDE 2014 © TECHNICAL SPECIFICATIONS & PROFILE DETAILS SUBJECT TO CHANGE WITHOUT NOTICE

ARCHITECTURAL LINEAR 40 - COMPLETE SUITE

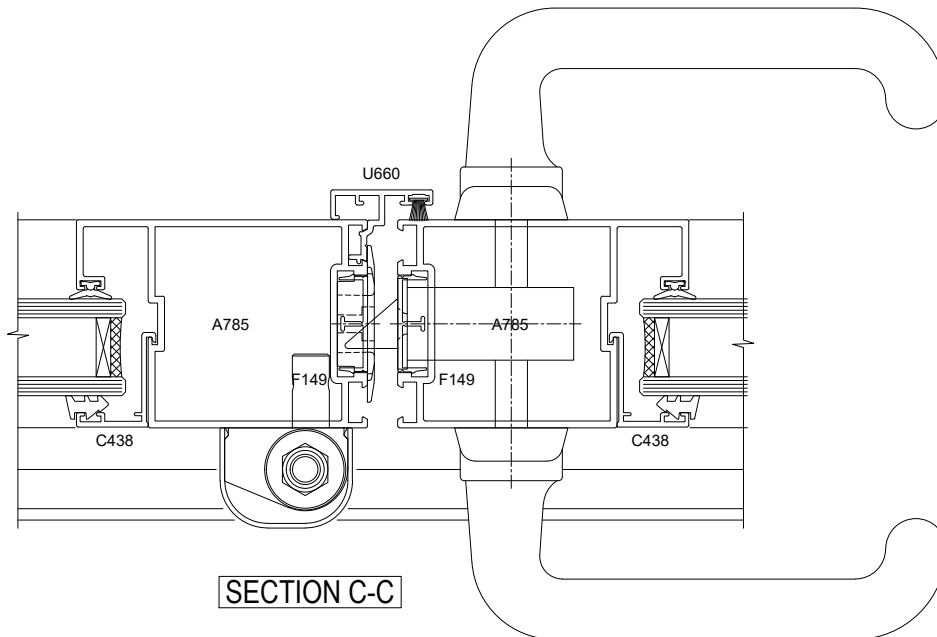
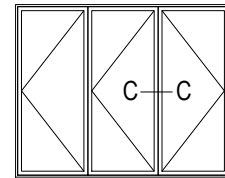
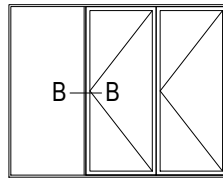
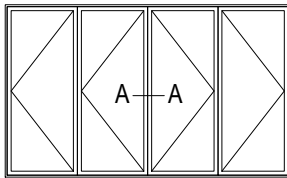
DATE 12.06.2018	SCALE 1:2
REF. AL40.0062	



SECTION A-A



SECTION B-B



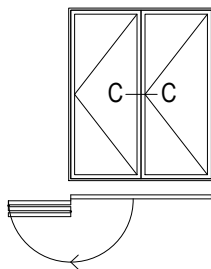
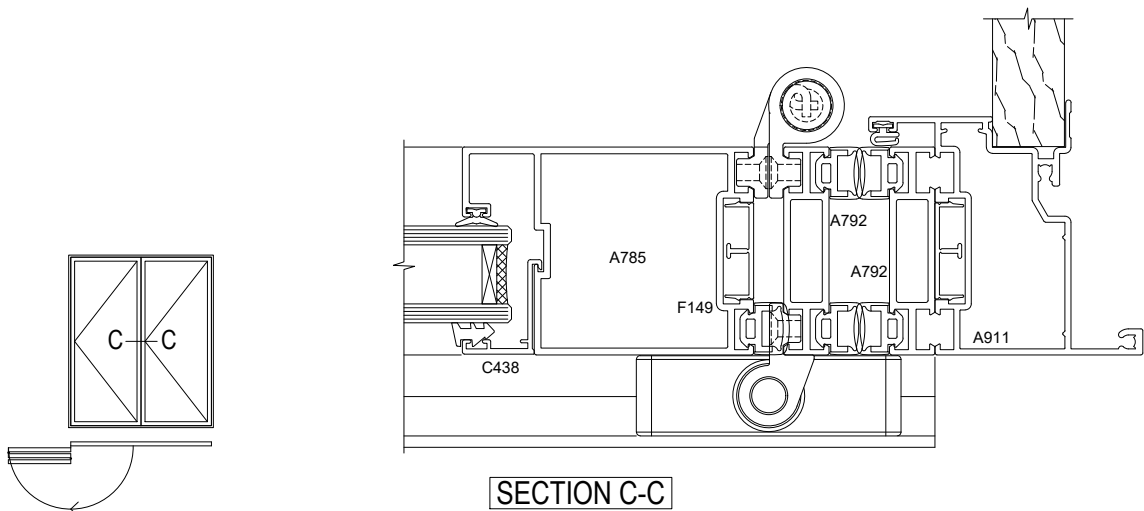
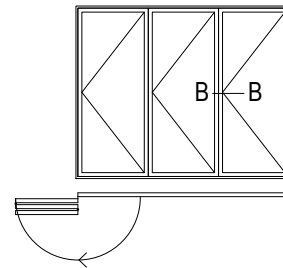
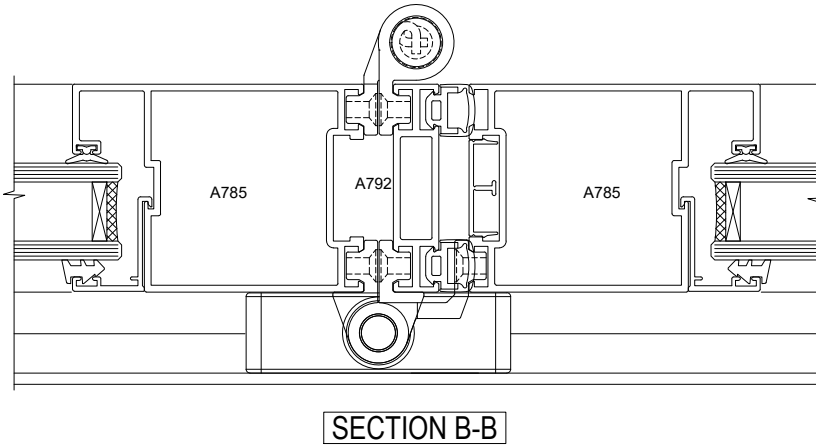
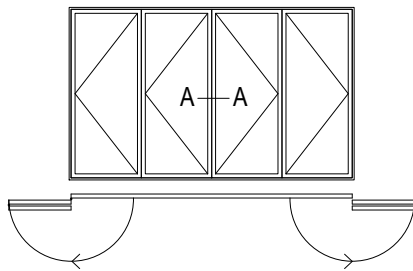
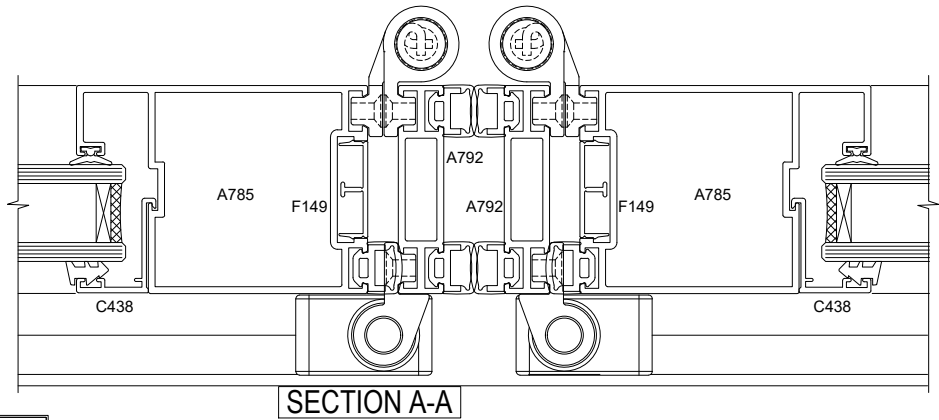
SECTION C-C

TOP HUNG HOODED GUIDE BIFOLD DOOR

FAIRVIEW SYSTEMS LIMITED SPECIFIERS GUIDE 2014 © TECHNICAL SPECIFICATIONS & PROFILE DETAILS SUBJECT TO CHANGE WITHOUT NOTICE

ARCHITECTURAL LINEAR 40 - COMPLETE SUITE

DATE 12.06.2018	SCALE 1:2
REF. AL40.0063	



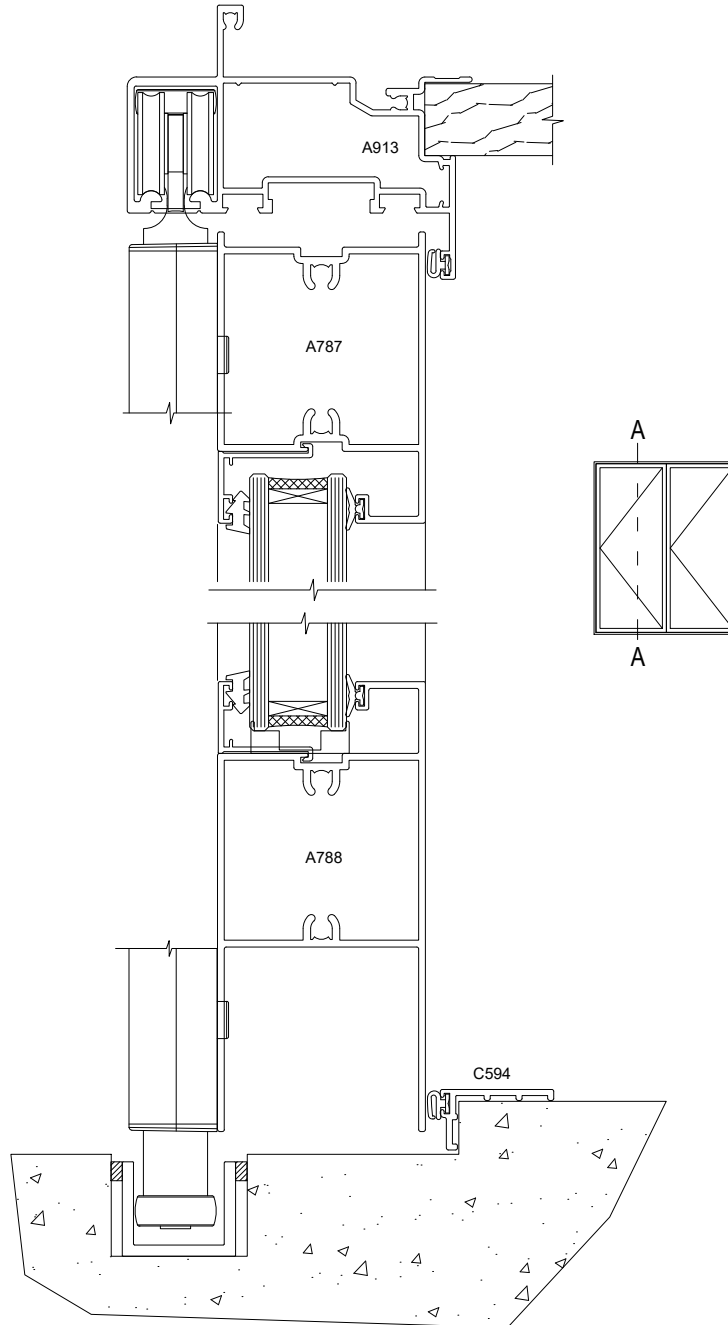
FREEFOLD

TOP HUNG HOODED GUIDE BIFOLD DOOR

FAIRVIEW SYSTEMS LIMITED SPECIFIERS GUIDE 2014 © TECHNICAL SPECIFICATIONS & PROFILE DETAILS SUBJECT TO CHANGE WITHOUT NOTICE

ARCHITECTURAL LINEAR 40 - COMPLETE SUITE

DATE 12.06.2018	SCALE 1:2
REF. AL40.0064	



SECTION A-A

TOP HUNG NON-WEATHERED GUIDE BIFOLD DOOR

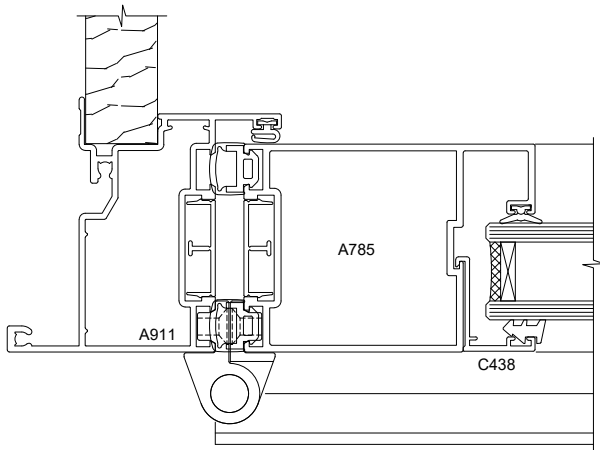
FAIRVIEW SYSTEMS LIMITED SPECIFIERS GUIDE 2014 © TECHNICAL SPECIFICATIONS & PROFILE DETAILS SUBJECT TO CHANGE WITHOUT NOTICE

ARCHITECTURAL LINEAR 40 - COMPLETE SUITE

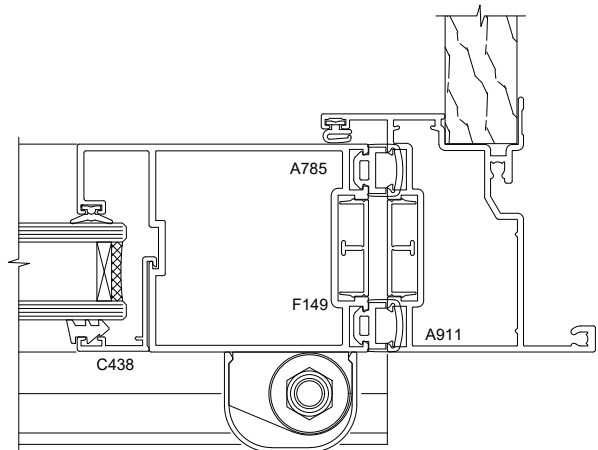
DATE
12.06.2018

SCALE
1:2

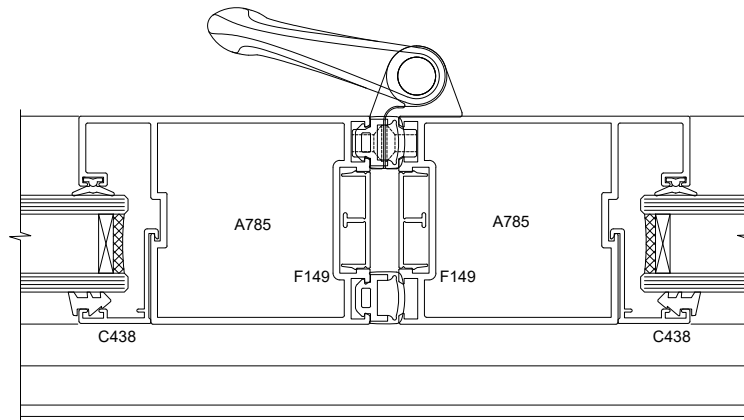
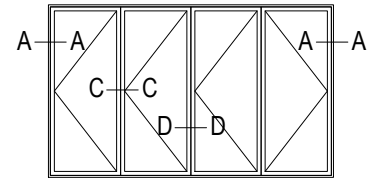
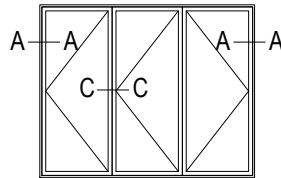
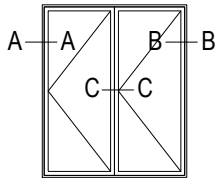
REF. AL40.0071



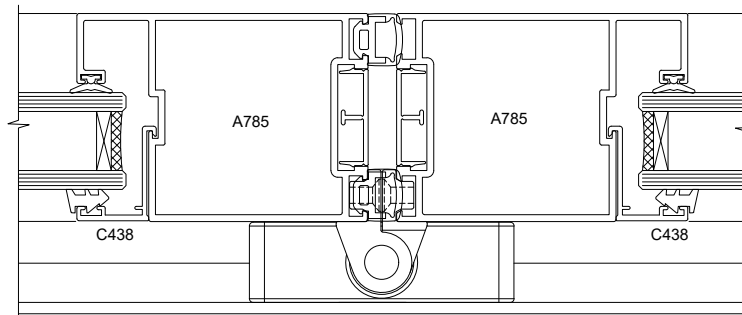
SECTION A-A



SECTION B-B



SECTION C-C



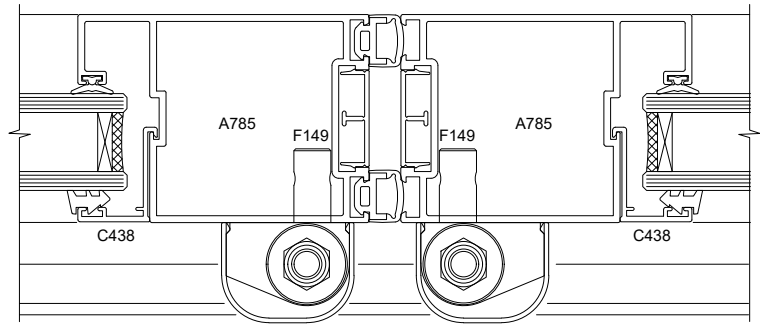
SECTION D-D

TOP HUNG NON-WEATHERED GUIDE BIFOLD DOOR

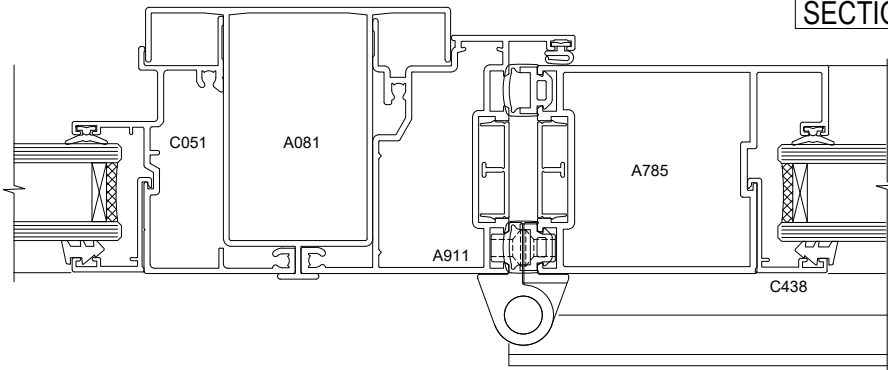
FAIRVIEW SYSTEMS LIMITED SPECIFIERS GUIDE 2014 © TECHNICAL SPECIFICATIONS & PROFILE DETAILS SUBJECT TO CHANGE WITHOUT NOTICE

ARCHITECTURAL LINEAR 40 - COMPLETE SUITE

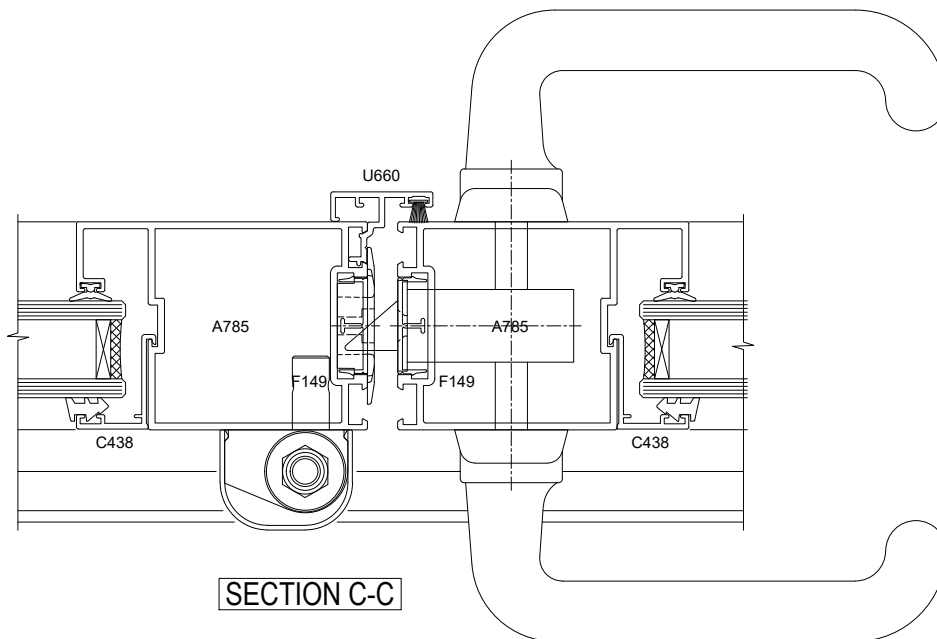
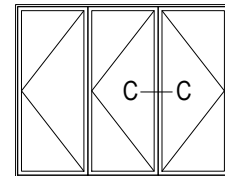
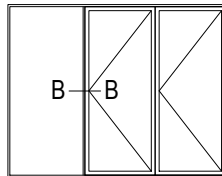
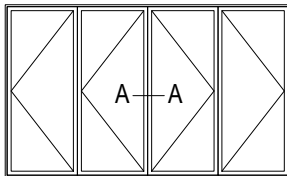
DATE 12.06.2018	SCALE 1:2
REF. AL40.0072	



SECTION A-A



SECTION B-B



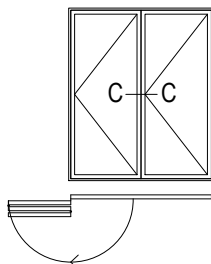
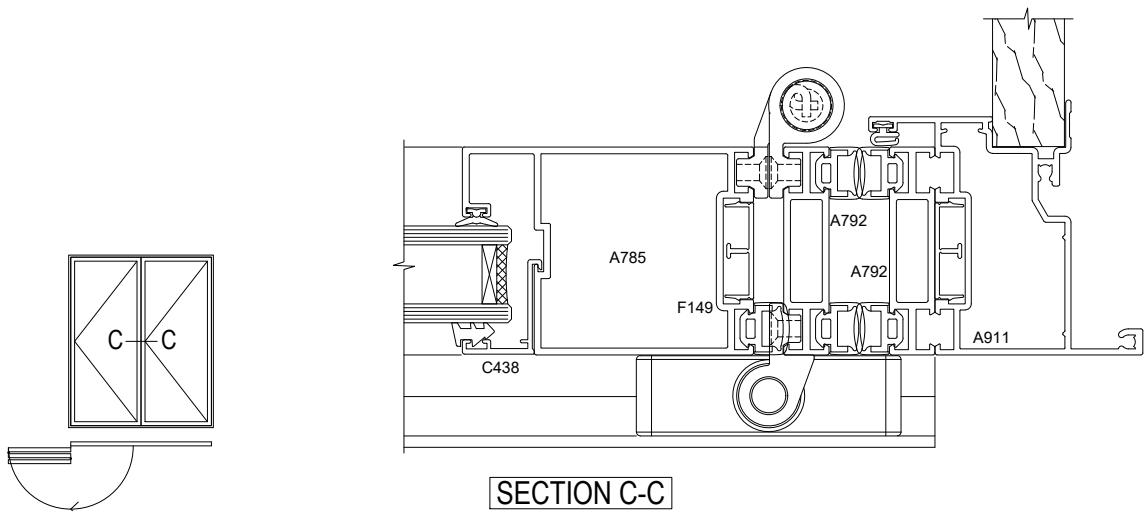
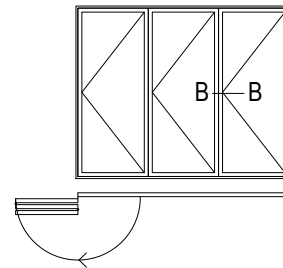
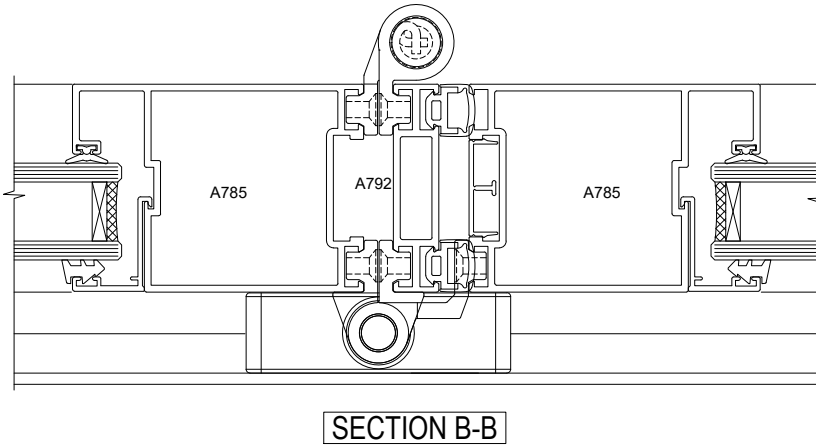
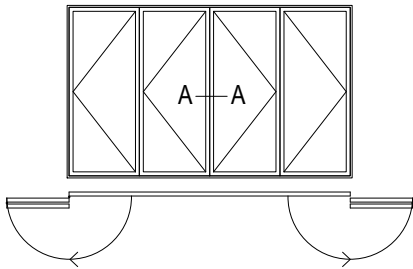
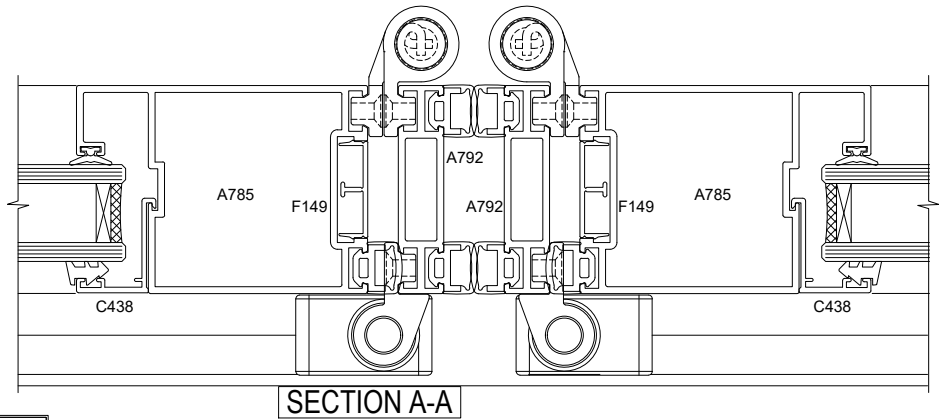
SECTION C-C

TOP HUNG NON-WEATHERED GUIDE BIFOLD DOOR

FAIRVIEW SYSTEMS LIMITED SPECIFIERS GUIDE 2014 © TECHNICAL SPECIFICATIONS & PROFILE DETAILS SUBJECT TO CHANGE WITHOUT NOTICE

ARCHITECTURAL LINEAR 40 - COMPLETE SUITE

DATE 12.06.2018	SCALE 1:2
REF. AL40.0073	



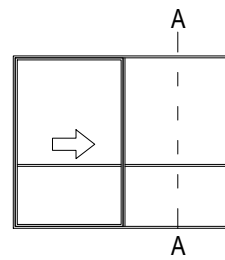
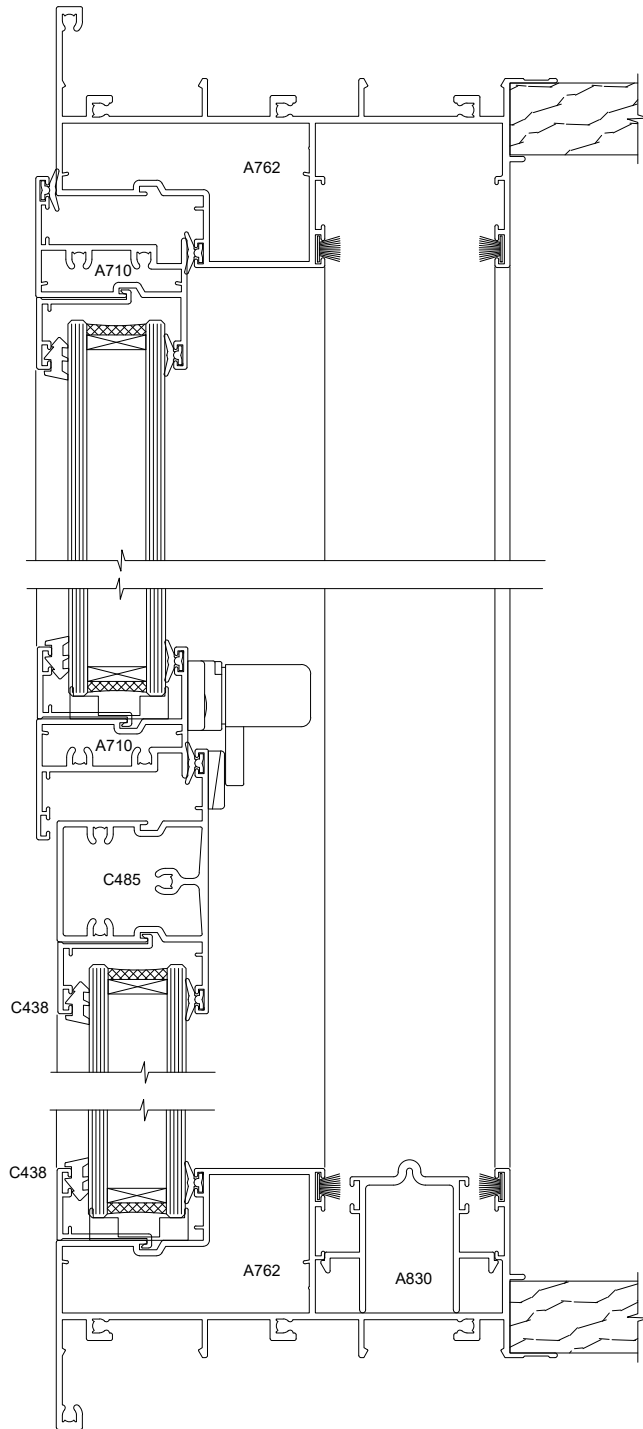
FREEFOLD

TOP HUNG NON-WEATHERED GUIDE BIFOLD DOOR

FAIRVIEW SYSTEMS LIMITED SPECIFIERS GUIDE 2014 © TECHNICAL SPECIFICATIONS & PROFILE DETAILS SUBJECT TO CHANGE WITHOUT NOTICE

ARCHITECTURAL LINEAR 40 - COMPLETE SUITE

DATE 12.06.2018	SCALE 1:2
REF. AL40.0074	



SECTION A-A

SLIDING DOOR

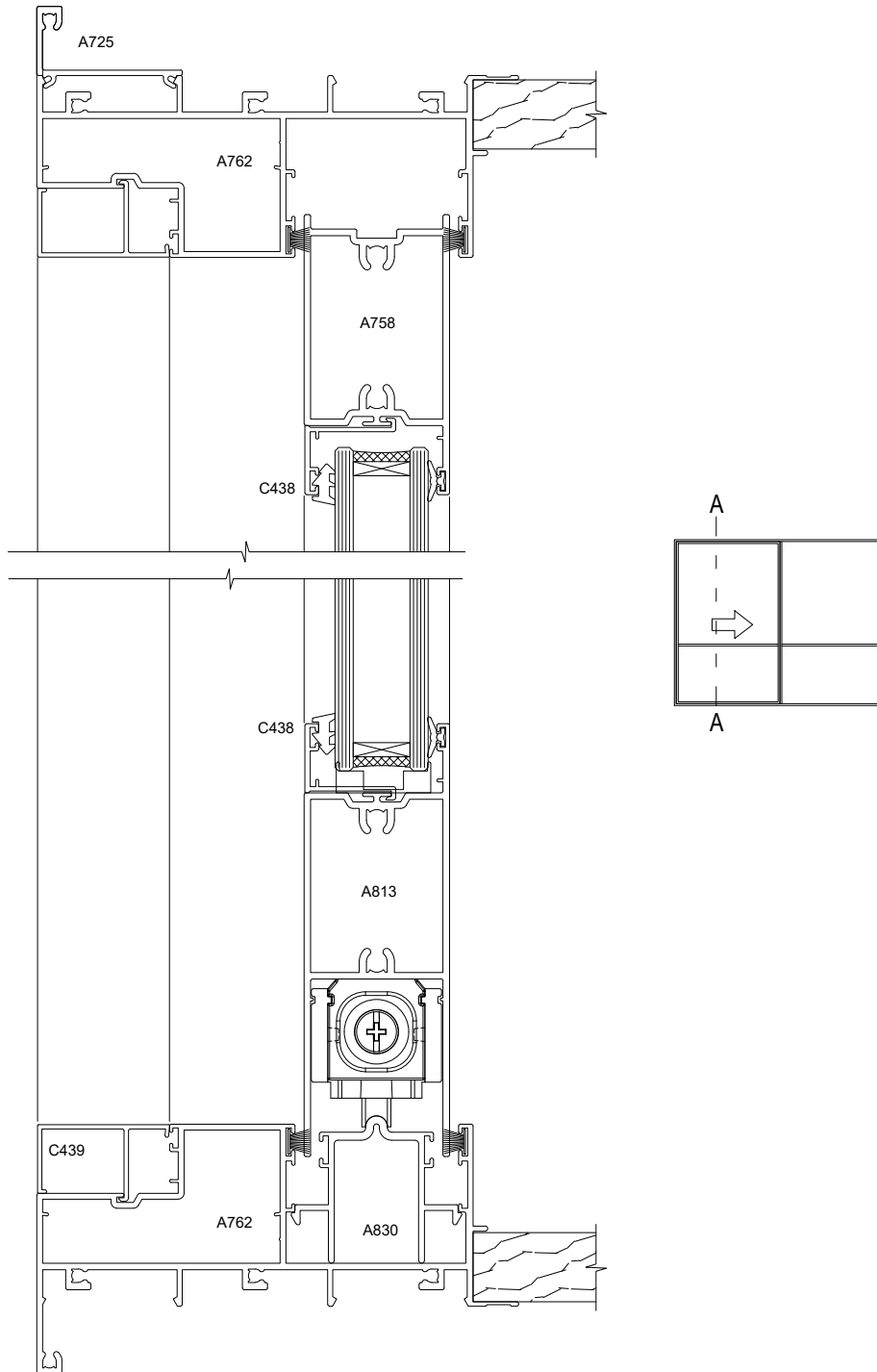
FAIRVIEW SYSTEMS LIMITED SPECIFIERS GUIDE 2014 © TECHNICAL SPECIFICATIONS & PROFILE DETAILS SUBJECT TO CHANGE WITHOUT NOTICE

ARCHITECTURAL LINEAR 40 - COMPLETE SUITE

DATE
12.06.2018

SCALE
1:2

REF. AL40.0081



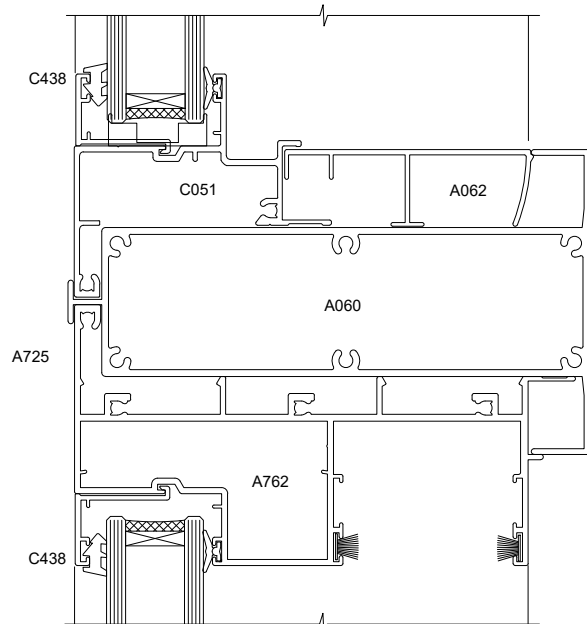
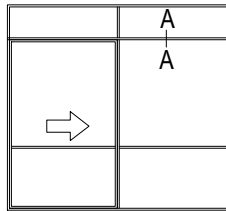
SECTION A-A

SLIDING DOOR

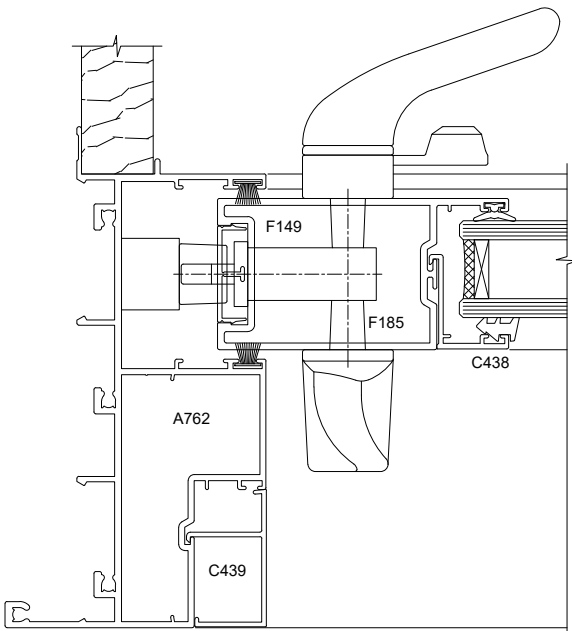
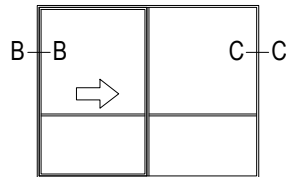
FAIRVIEW SYSTEMS LIMITED SPECIFIERS GUIDE 2014 © TECHNICAL SPECIFICATIONS & PROFILE DETAILS SUBJECT TO CHANGE WITHOUT NOTICE

ARCHITECTURAL LINEAR 40 - COMPLETE SUITE

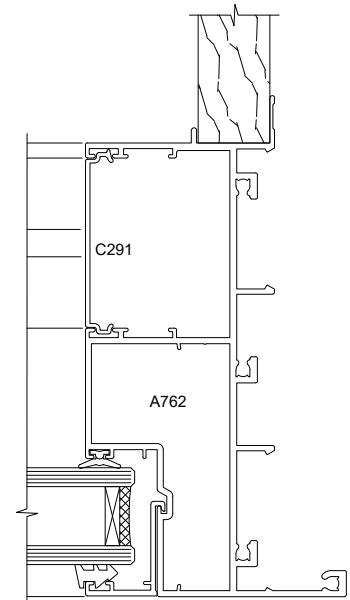
DATE 12.06.2018	SCALE 1:2
REF. AL40.0082	



SECTION A-A



SECTION B-B



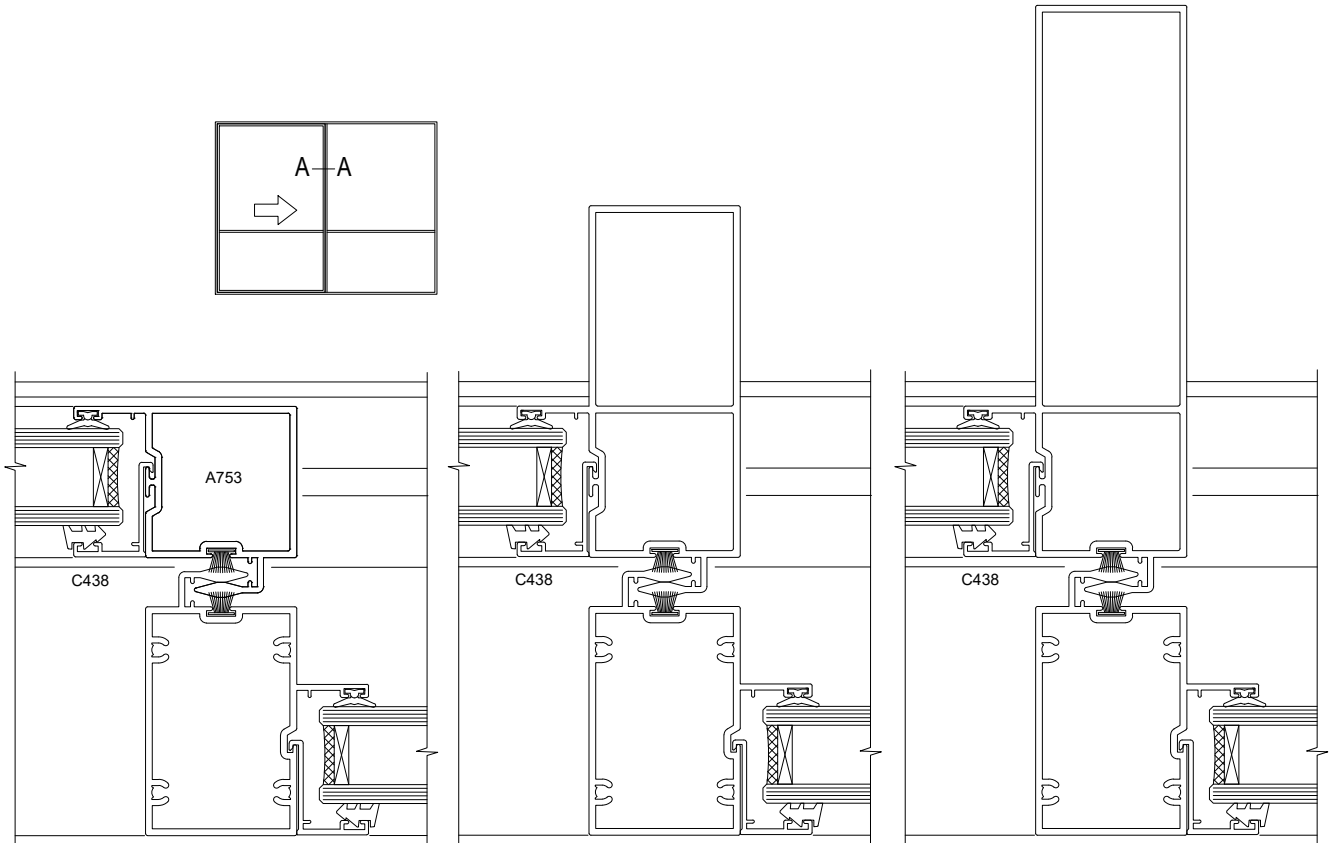
SECTION C-C

SLIDING DOOR

FAIRVIEW SYSTEMS LIMITED SPECIFIERS GUIDE 2014 © TECHNICAL SPECIFICATIONS & PROFILE DETAILS SUBJECT TO CHANGE WITHOUT NOTICE

ARCHITECTURAL LINEAR 40 - COMPLETE SUITE

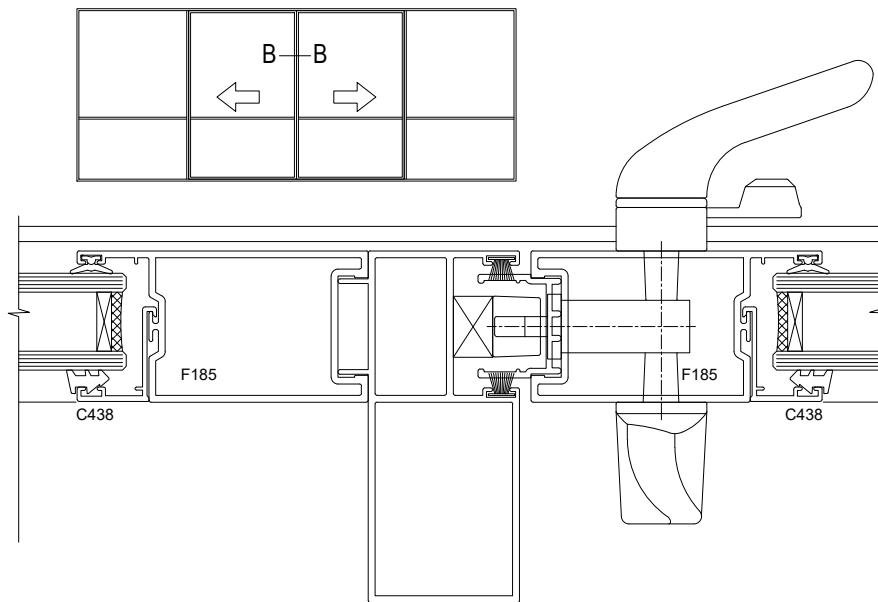
DATE 12.06.2018	SCALE 1:2
REF. AL40.0083	



SECTION A-A

SECTION A-A

SECTION A-A



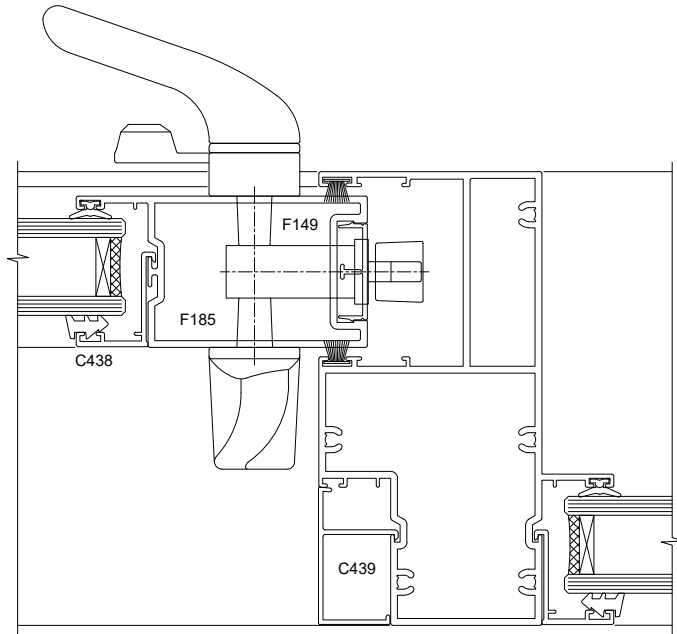
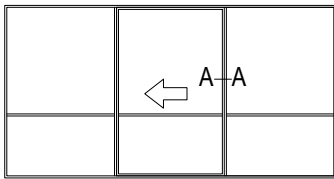
SECTION B-B

SLIDING DOOR

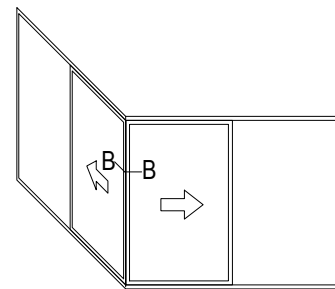
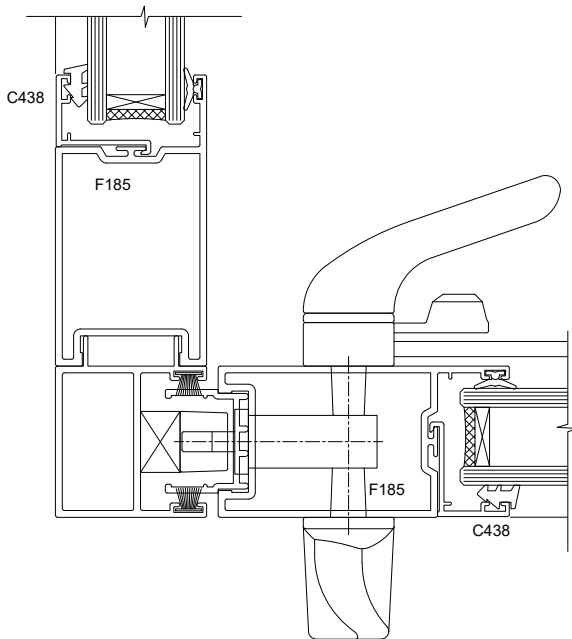
FAIRVIEW SYSTEMS LIMITED SPECIFIERS GUIDE 2014 © TECHNICAL SPECIFICATIONS & PROFILE DETAILS SUBJECT TO CHANGE WITHOUT NOTICE

ARCHITECTURAL LINEAR 40 - COMPLETE SUITE

DATE 12.06.2018	SCALE 1:2
REF. AL40.0084	



SECTION A-A



SECTION B-B

SLIDING DOOR

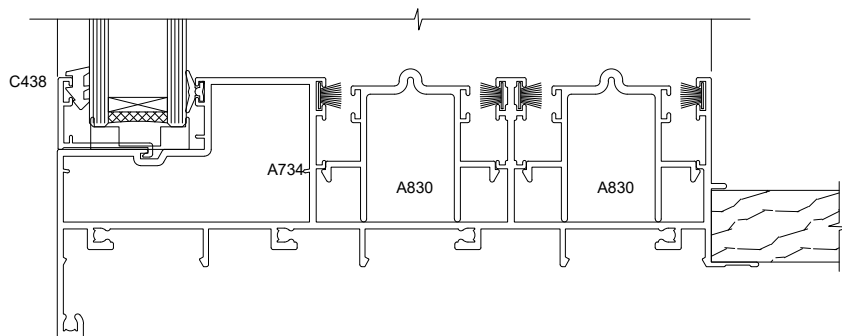
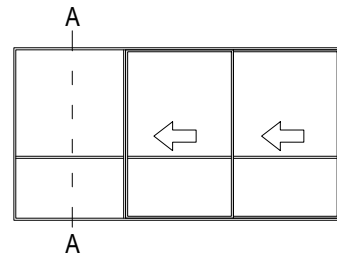
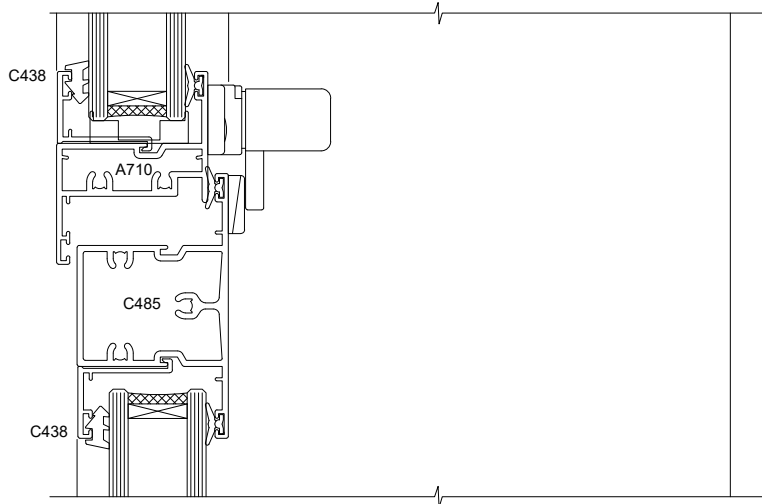
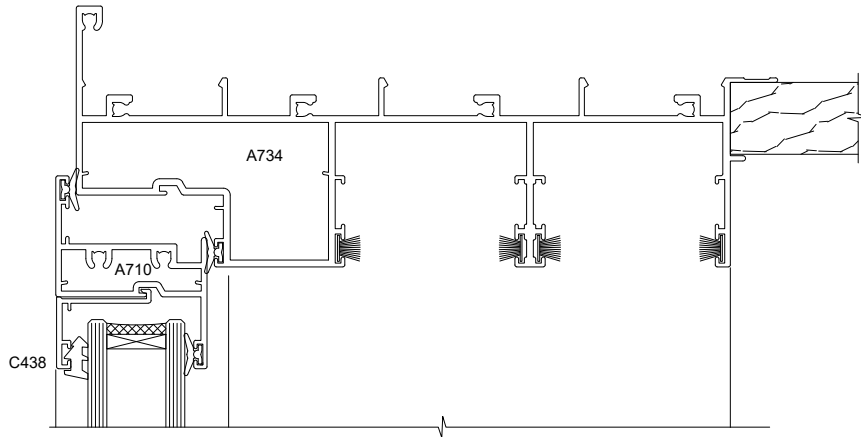
FAIRVIEW SYSTEMS LIMITED SPECIFIERS GUIDE 2014 © TECHNICAL SPECIFICATIONS & PROFILE DETAILS SUBJECT TO CHANGE WITHOUT NOTICE

ARCHITECTURAL LINEAR 40 - COMPLETE SUITE

DATE
12.06.2018

SCALE
1:2

REF. AL40.0085



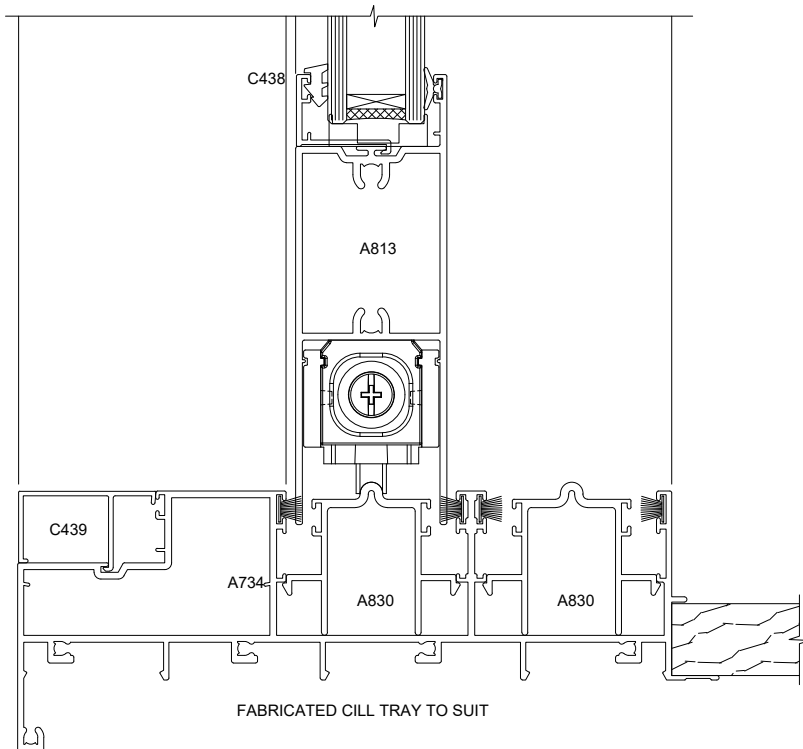
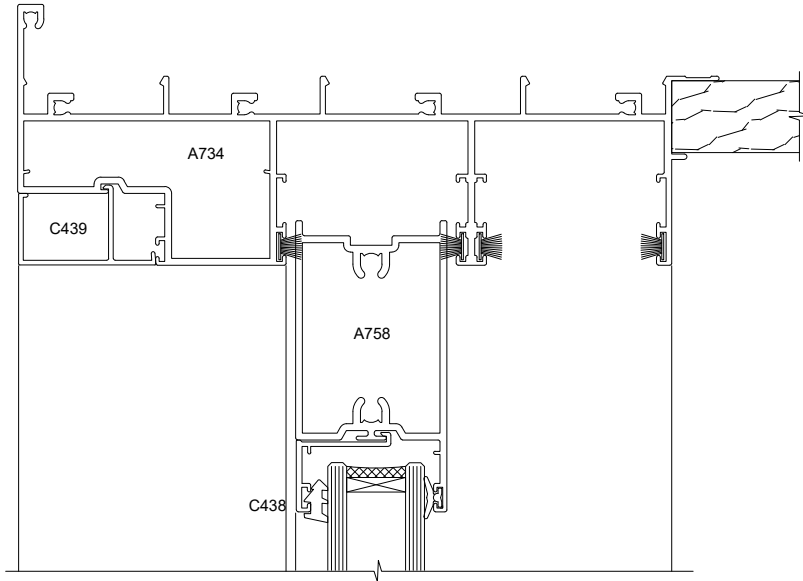
SECTION A-A

STACKING DOOR

FAIRVIEW SYSTEMS LIMITED SPECIFIERS GUIDE 2014 © TECHNICAL SPECIFICATIONS & PROFILE DETAILS SUBJECT TO CHANGE WITHOUT NOTICE

ARCHITECTURAL LINEAR 40 - COMPLETE SUITE

DATE 12.06.2018	SCALE 1:2
REF. AL40.0091	



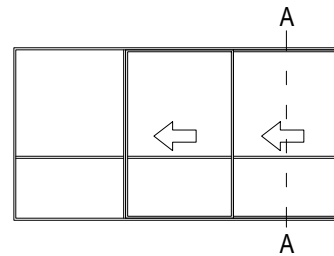
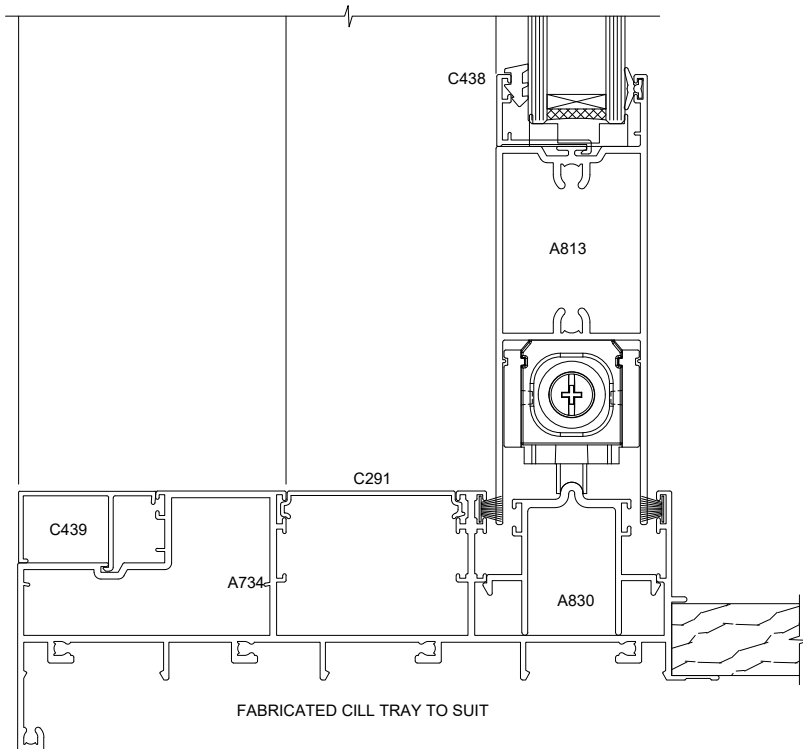
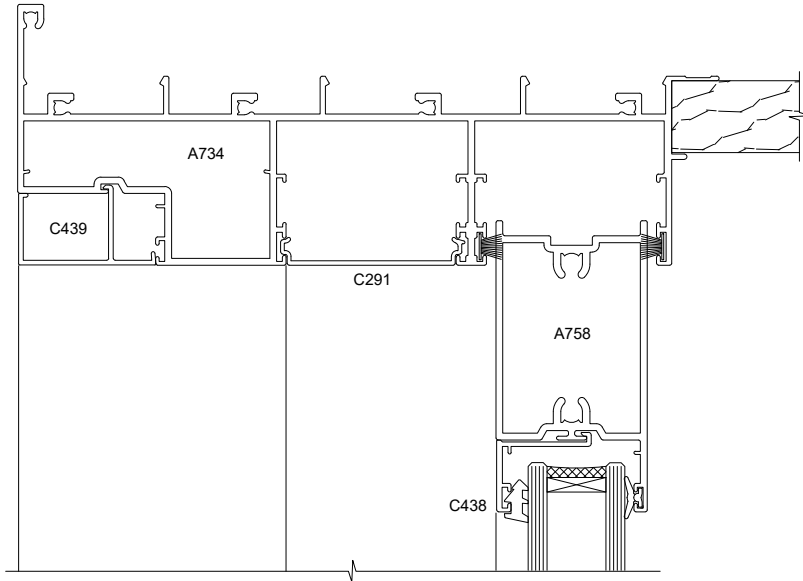
SECTION A-A

STACKING DOOR

FAIRVIEW SYSTEMS LIMITED SPECIFIERS GUIDE 2014 © TECHNICAL SPECIFICATIONS & PROFILE DETAILS SUBJECT TO CHANGE WITHOUT NOTICE

ARCHITECTURAL LINEAR 40 - COMPLETE SUITE

DATE 12.06.2018	SCALE 1:2
REF. AL40.0092	



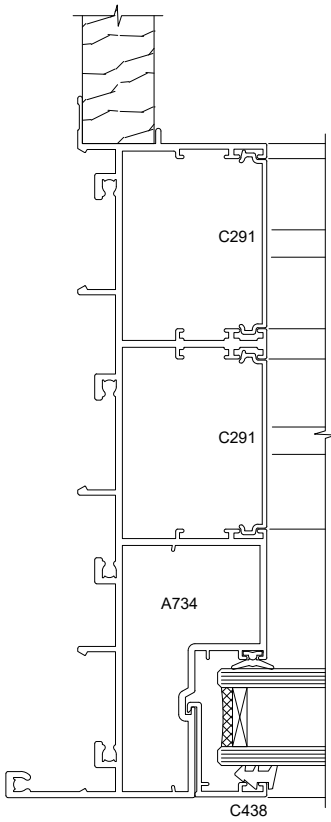
SECTION A-A

STACKING DOOR

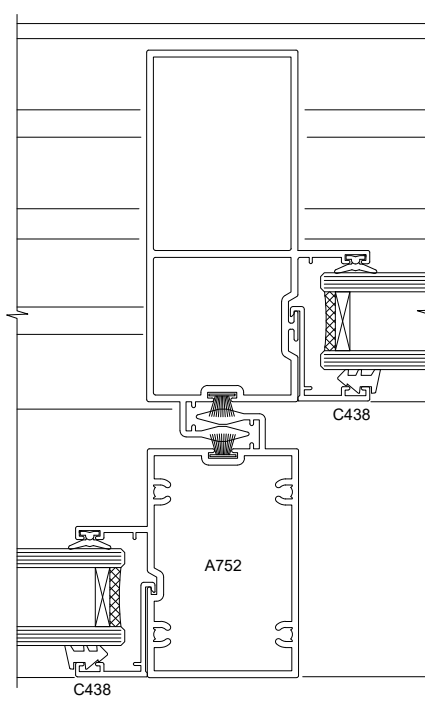
FAIRVIEW SYSTEMS LIMITED SPECIFIERS GUIDE 2014 © TECHNICAL SPECIFICATIONS & PROFILE DETAILS SUBJECT TO CHANGE WITHOUT NOTICE

ARCHITECTURAL LINEAR 40 - COMPLETE SUITE

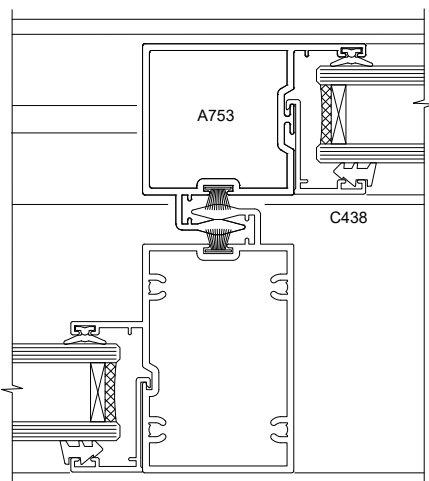
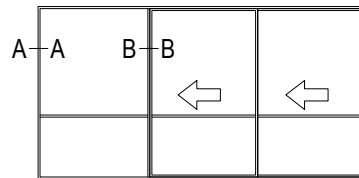
DATE 12.06.2018	SCALE 1:2
REF. AL40.0093	



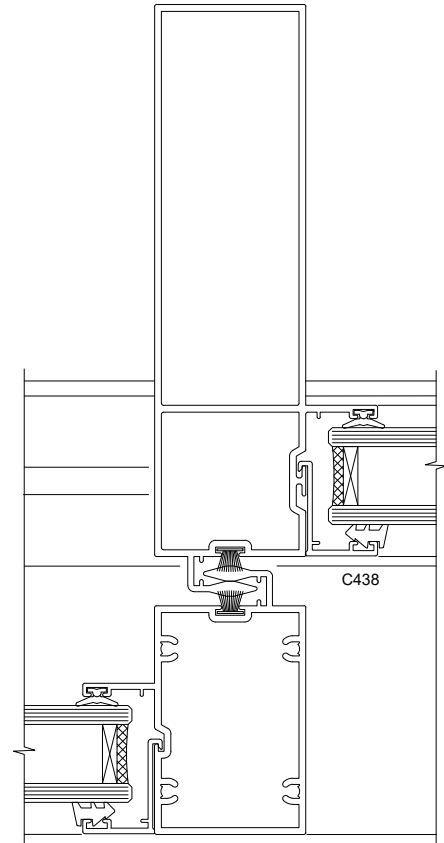
SECTION A-A



SECTION B-B



SECTION B-B



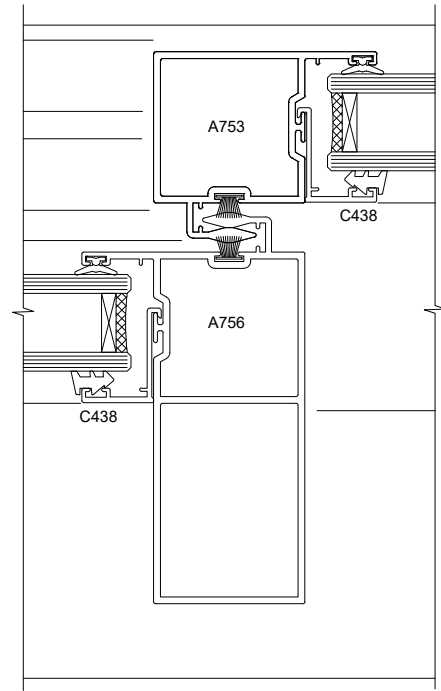
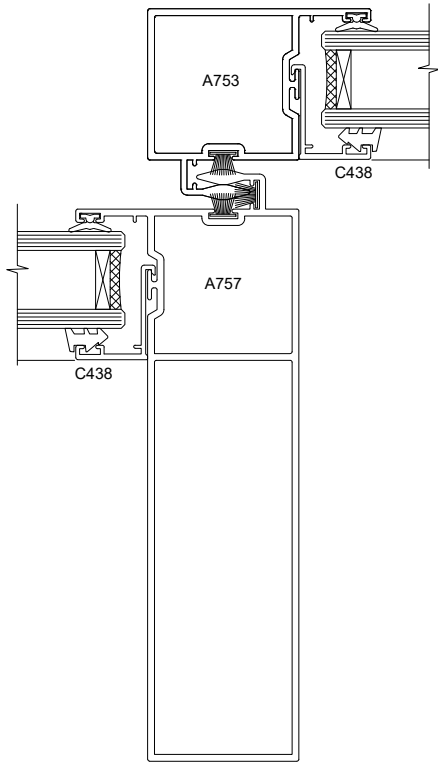
SECTION B-B

STACKING DOOR

FAIRVIEW SYSTEMS LIMITED SPECIFIERS GUIDE 2014 © TECHNICAL SPECIFICATIONS & PROFILE DETAILS SUBJECT TO CHANGE WITHOUT NOTICE

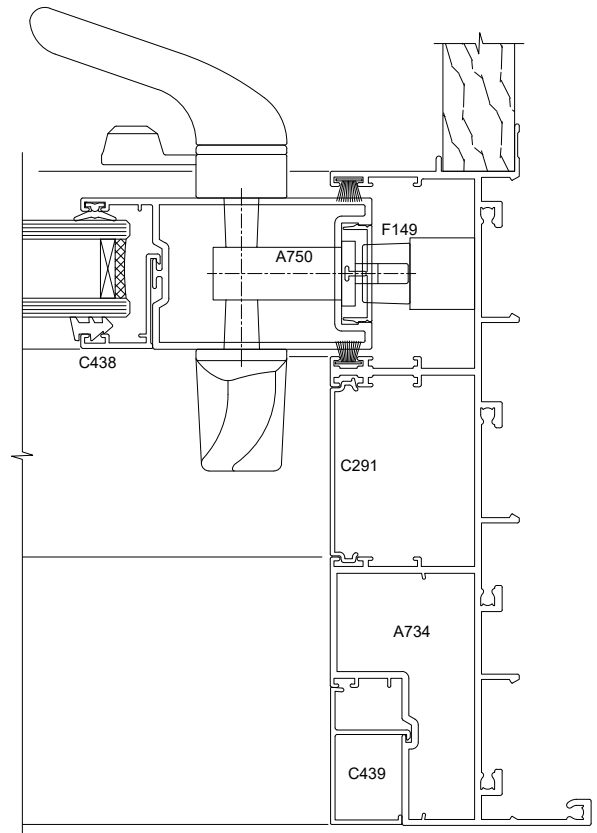
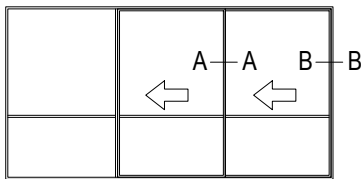
ARCHITECTURAL LINEAR 40 - COMPLETE SUITE

DATE 12.06.2018	SCALE 1:2
REF. AL40.0094	



SECTION A-A

SECTION A-A



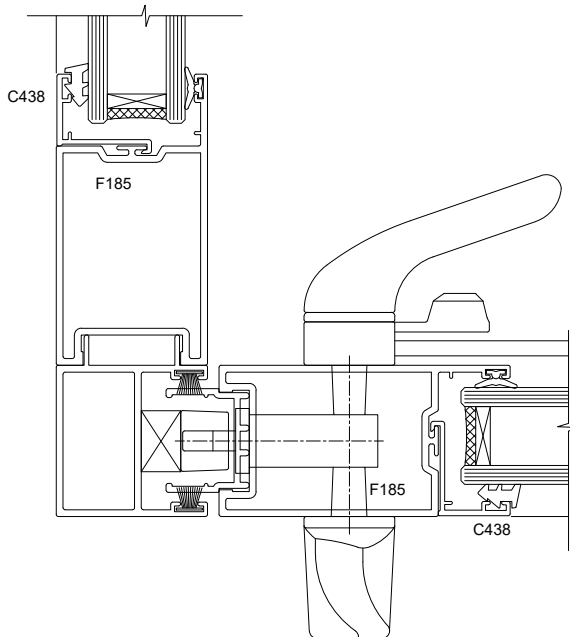
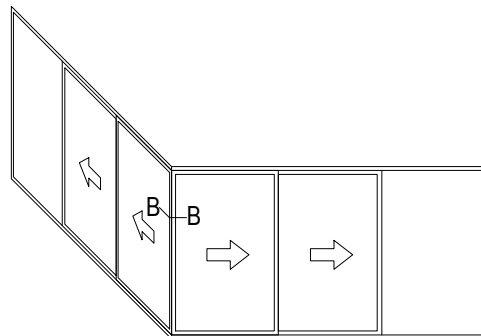
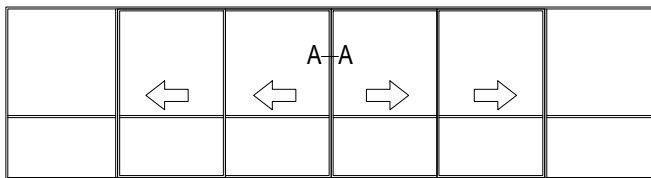
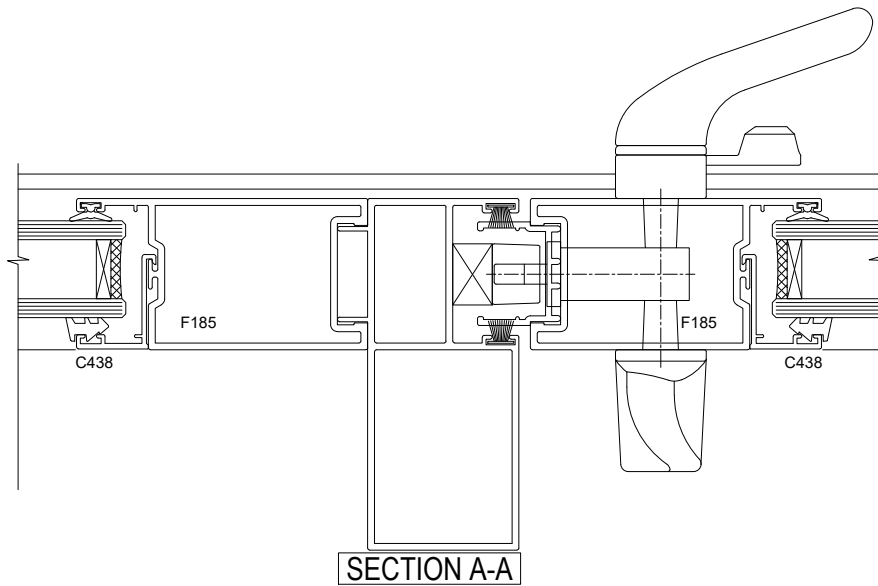
SECTION B-B

STACKING DOOR

FAIRVIEW SYSTEMS LIMITED SPECIFIERS GUIDE 2014 © TECHNICAL SPECIFICATIONS & PROFILE DETAILS SUBJECT TO CHANGE WITHOUT NOTICE

ARCHITECTURAL LINEAR 40 - COMPLETE SUITE

DATE 12.06.2018	SCALE 1:2
REF. AL40.0095	

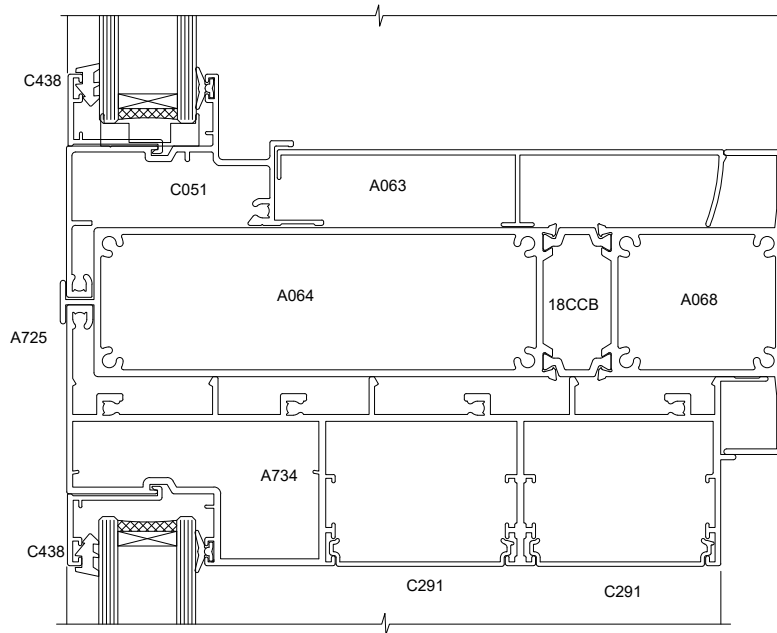
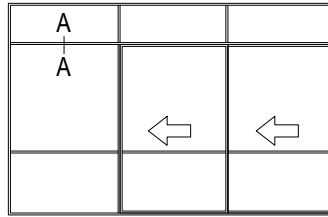


STACKING DOOR

FAIRVIEW SYSTEMS LIMITED SPECIFIERS GUIDE 2014 © TECHNICAL SPECIFICATIONS & PROFILE DETAILS SUBJECT TO CHANGE WITHOUT NOTICE

ARCHITECTURAL LINEAR 40 - COMPLETE SUITE

DATE 12.06.2018	SCALE 1:2
REF. AL40.0096	



SECTION A-A

STACKING DOOR

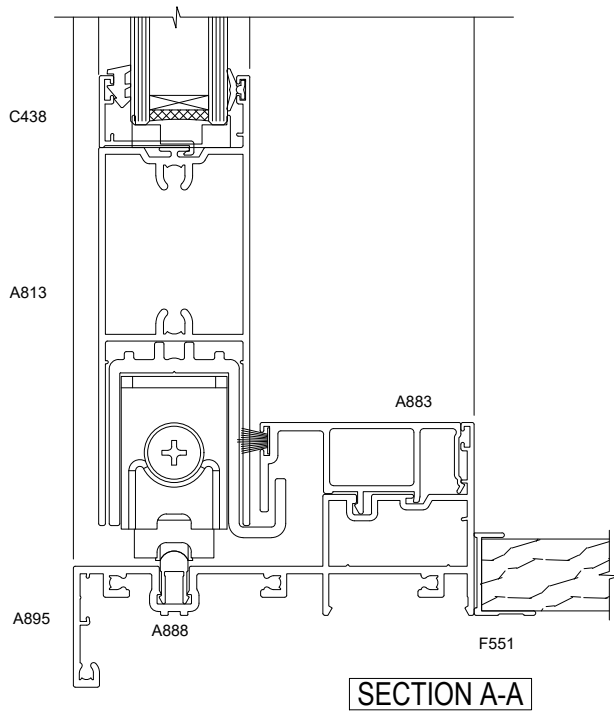
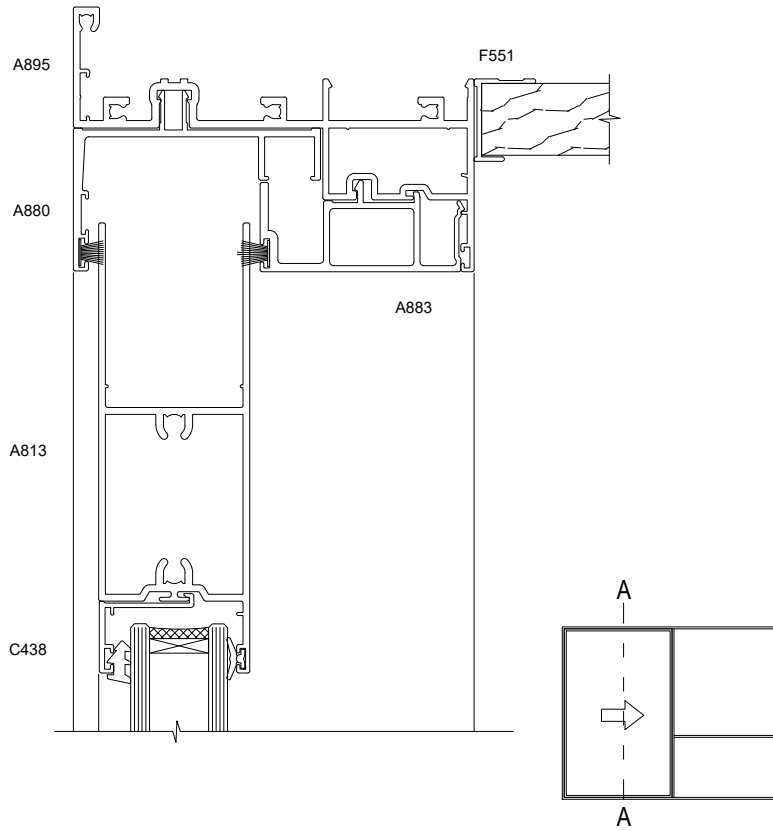
FAIRVIEW SYSTEMS LIMITED SPECIFIERS GUIDE 2014 © TECHNICAL SPECIFICATIONS & PROFILE DETAILS SUBJECT TO CHANGE WITHOUT NOTICE

ARCHITECTURAL LINEAR 40 - COMPLETE SUITE

DATE
12.06.2018

SCALE
1:2

REF. AL40.0097

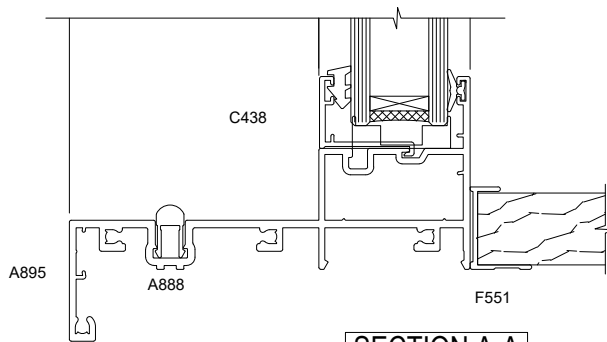
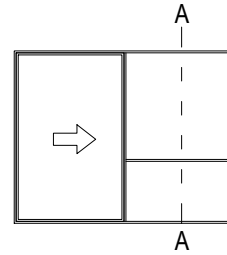
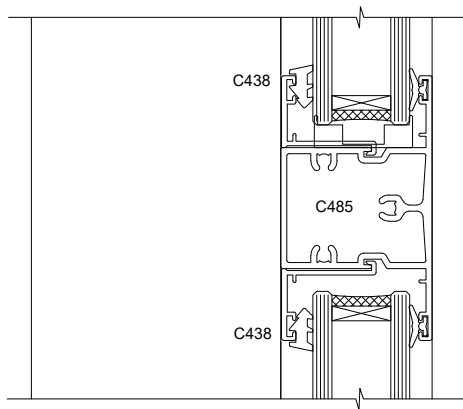
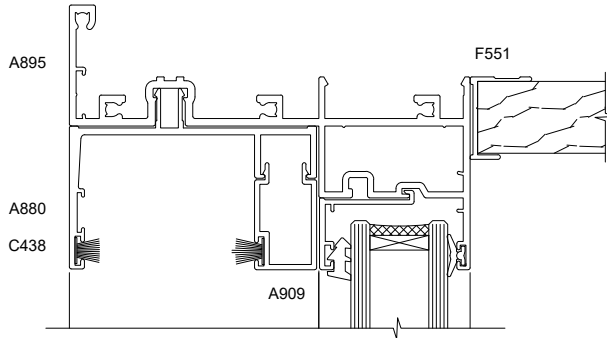


EXTERNAL SLIDERS

FAIRVIEW SYSTEMS LIMITED SPECIFIERS GUIDE 2014 © TECHNICAL SPECIFICATIONS & PROFILE DETAILS SUBJECT TO CHANGE WITHOUT NOTICE

ARCHITECTURAL LINEAR 40 - COMPLETE SUITE

DATE 12.06.2018	SCALE 1:2
REF. AL40.0101	



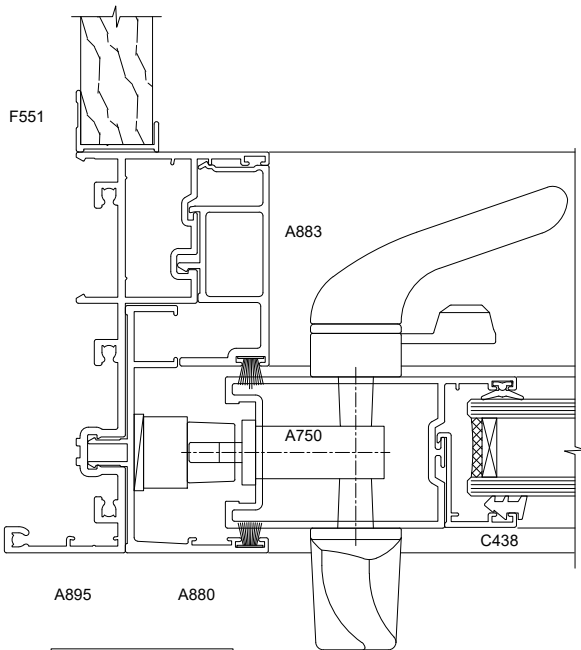
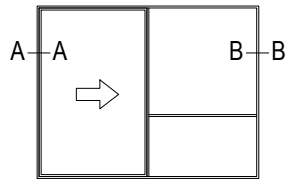
SECTION A-A

EXTERNAL SLIDERS

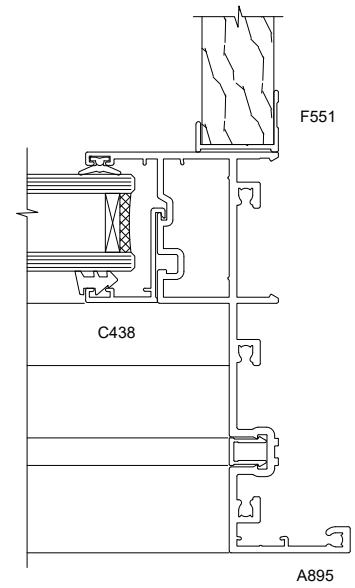
FAIRVIEW SYSTEMS LIMITED SPECIFIERS GUIDE 2014 © TECHNICAL SPECIFICATIONS & PROFILE DETAILS SUBJECT TO CHANGE WITHOUT NOTICE

ARCHITECTURAL LINEAR 40 - COMPLETE SUITE

DATE 12.06.2018	SCALE 1:2
REF. AL40.0102	



SECTION A-A



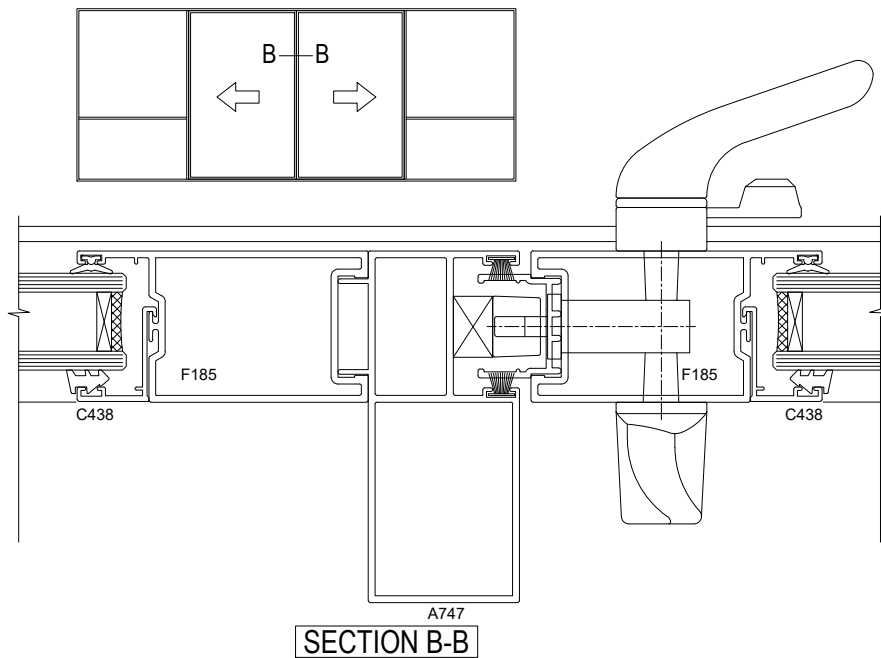
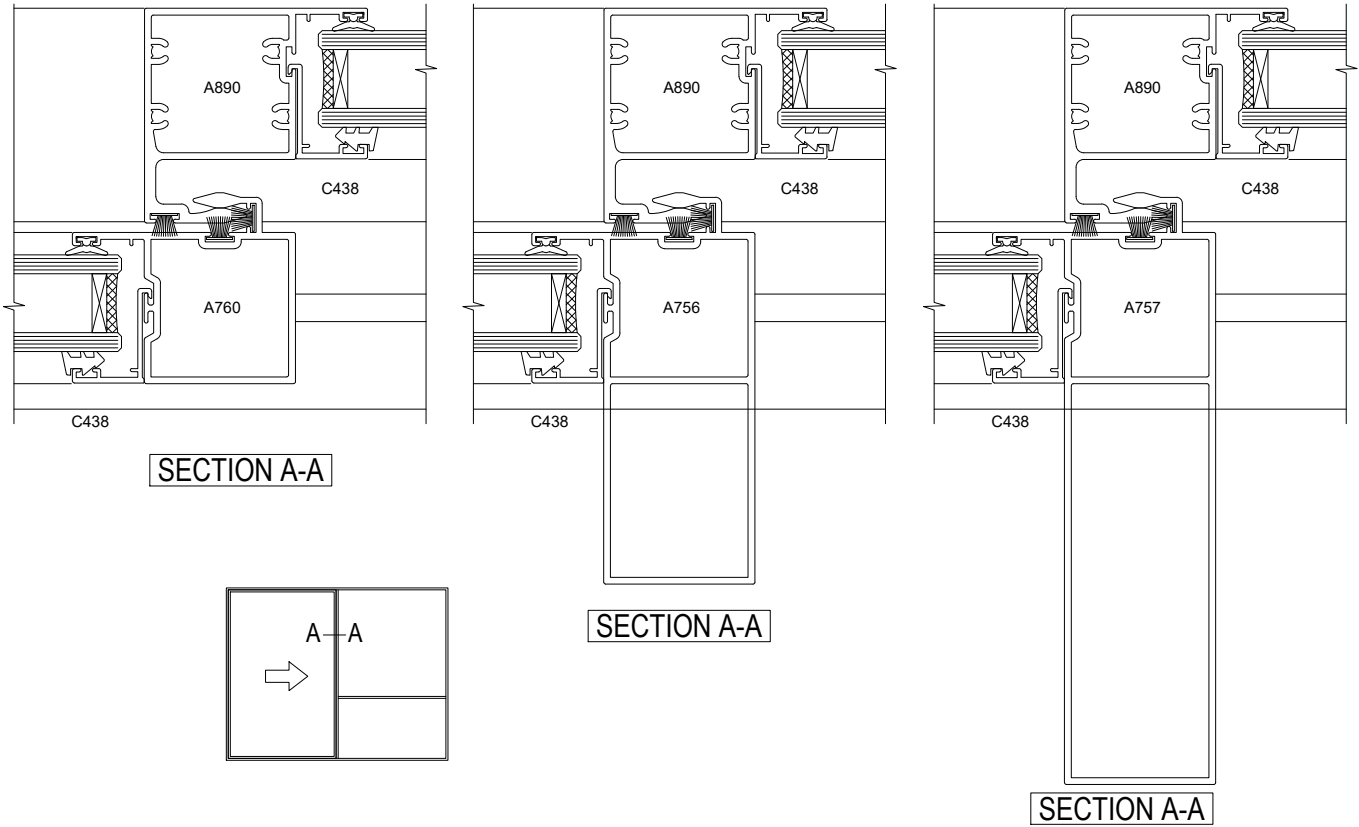
SECTION B-B

EXTERNAL SLIDERS

FAIRVIEW SYSTEMS LIMITED SPECIFIERS GUIDE 2014 © TECHNICAL SPECIFICATIONS & PROFILE DETAILS SUBJECT TO CHANGE WITHOUT NOTICE

ARCHITECTURAL LINEAR 40 - COMPLETE SUITE

DATE 12.06.2018	SCALE 1:2
REF. AL40.0103	

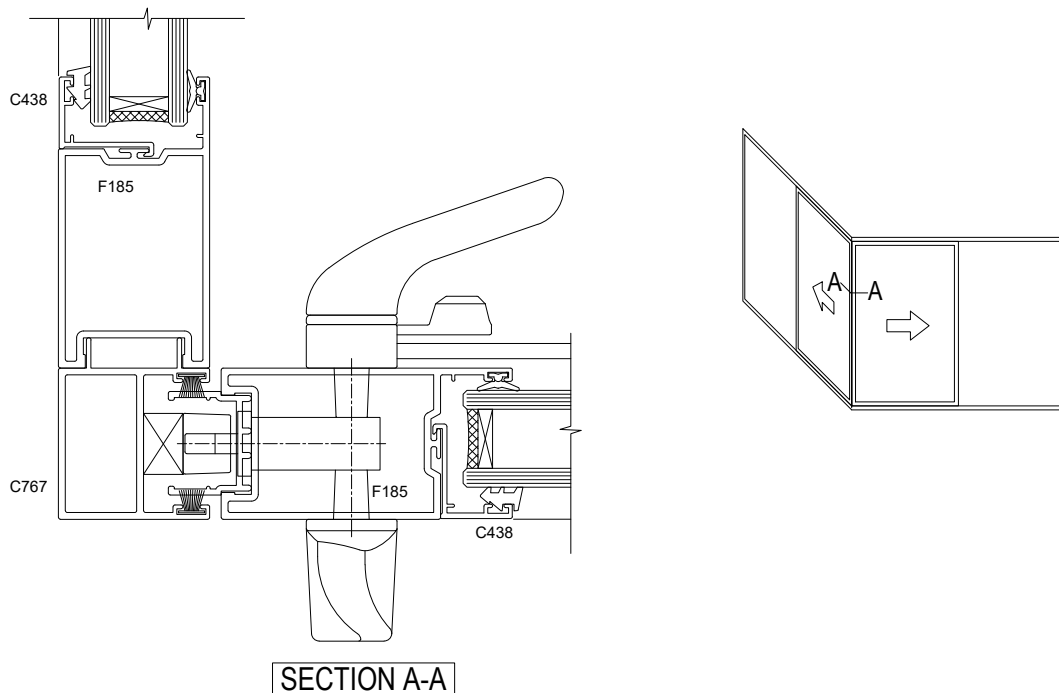


SLIDING DOOR

FAIRVIEW SYSTEMS LIMITED SPECIFIERS GUIDE 2014 © TECHNICAL SPECIFICATIONS & PROFILE DETAILS SUBJECT TO CHANGE WITHOUT NOTICE

ARCHITECTURAL LINEAR 40 - COMPLETE SUITE

DATE 12.06.2018	SCALE 1:2
REF. AL40.0104	

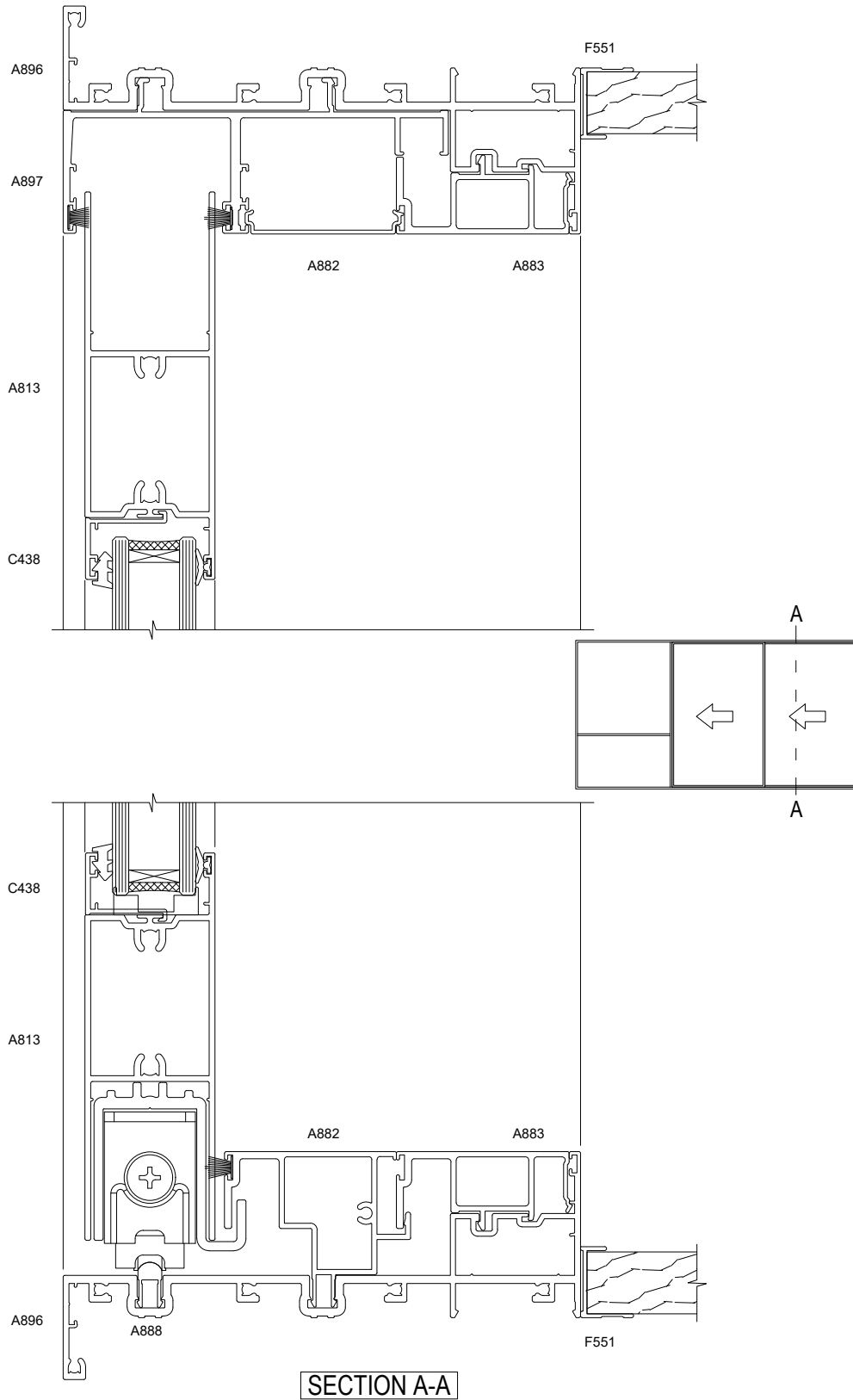


SLIDING DOOR

FAIRVIEW SYSTEMS LIMITED SPECIFIERS GUIDE 2014 © TECHNICAL SPECIFICATIONS & PROFILE DETAILS SUBJECT TO CHANGE WITHOUT NOTICE

ARCHITECTURAL LINEAR 40 - COMPLETE SUITE

DATE 12.06.2018	SCALE 1:2
REF. AL40.0105	



EXTERNAL STACKERS

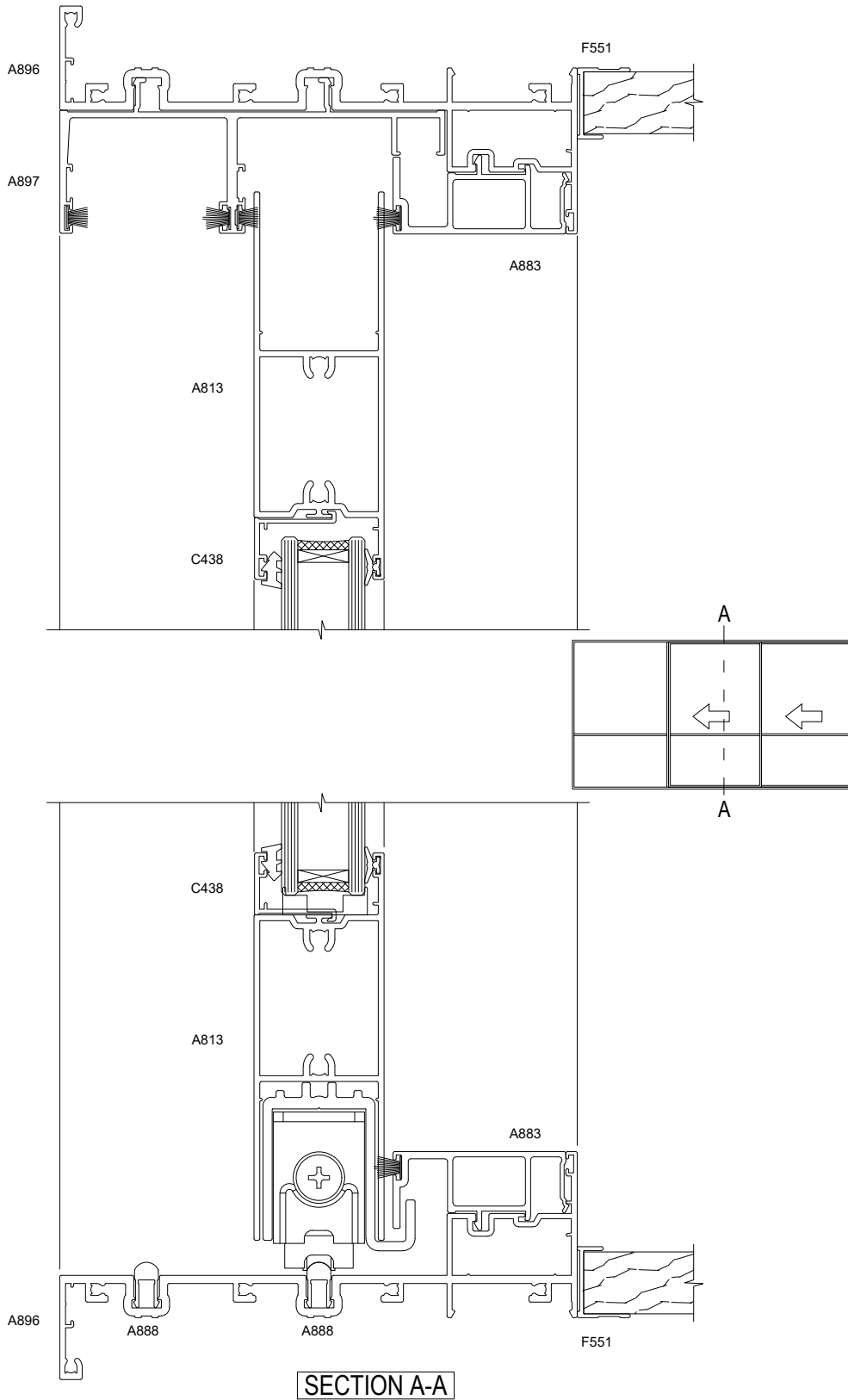
FAIRVIEW SYSTEMS LIMITED SPECIFIERS GUIDE 2014 © TECHNICAL SPECIFICATIONS & PROFILE DETAILS SUBJECT TO CHANGE WITHOUT NOTICE

ARCHITECTURAL LINEAR 40 - COMPLETE SUITE

DATE
12.06.2018

SCALE
1:2

REF. AL40.0111



EXTERNAL STACKERS

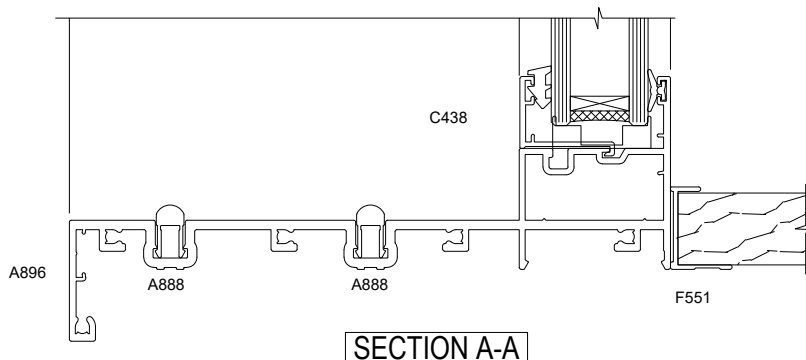
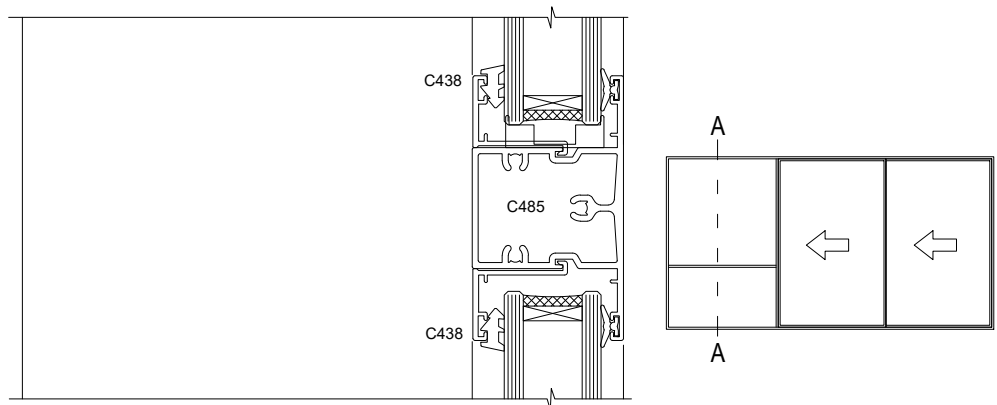
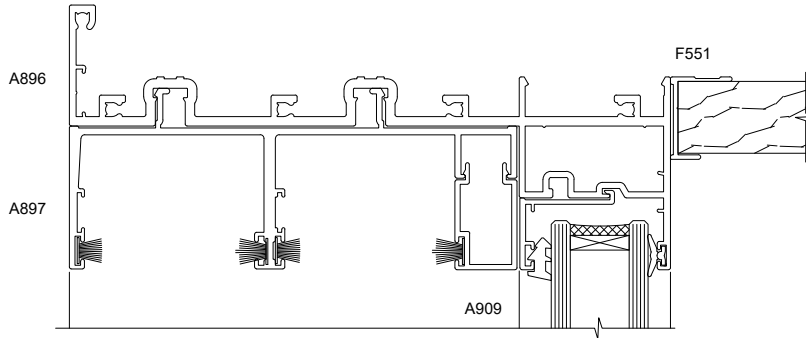
FAIRVIEW SYSTEMS LIMITED SPECIFIERS GUIDE 2014 © TECHNICAL SPECIFICATIONS & PROFILE DETAILS SUBJECT TO CHANGE WITHOUT NOTICE

ARCHITECTURAL LINEAR 40 - COMPLETE SUITE

DATE
12.06.2018

SCALE
1:2

REF. AL40.0112

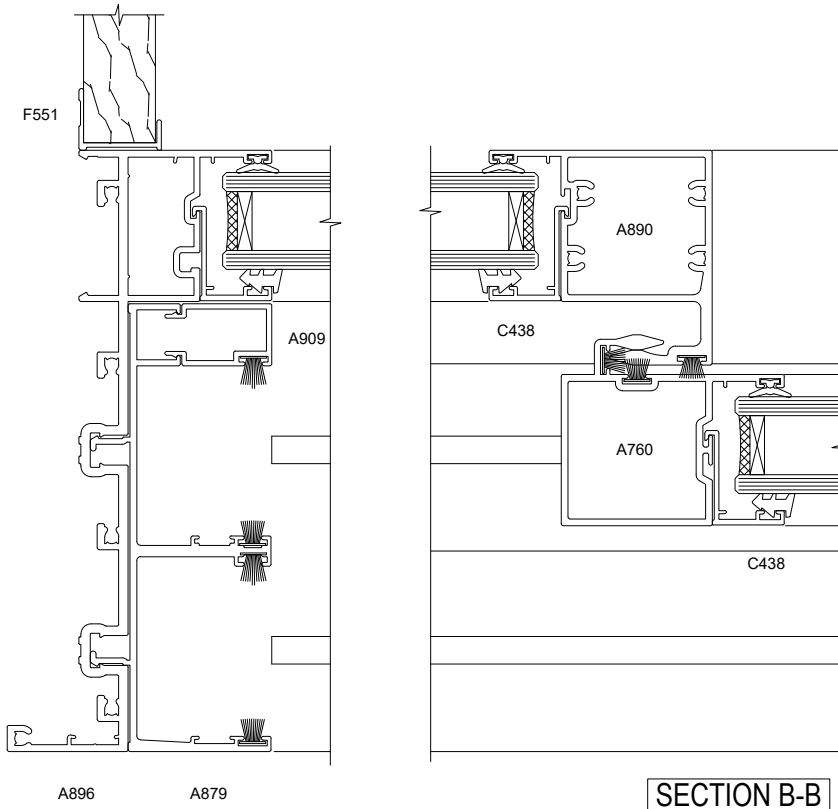


EXTERNAL STACKERS

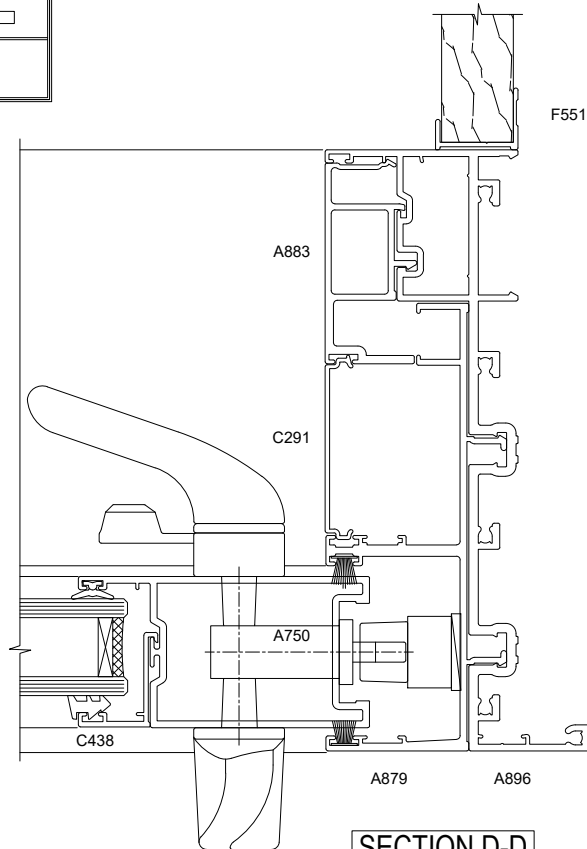
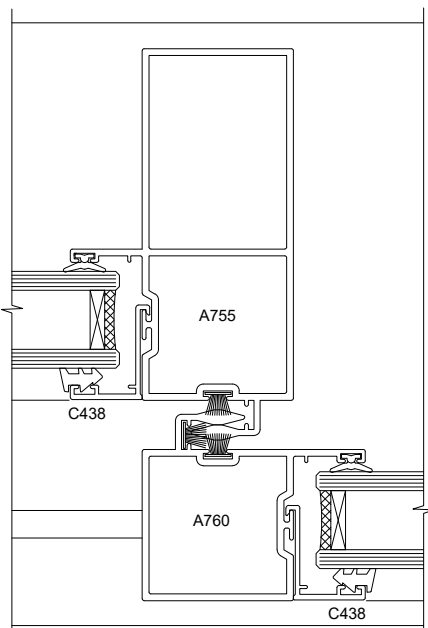
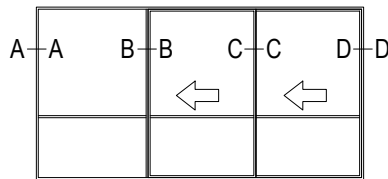
FAIRVIEW SYSTEMS LIMITED SPECIFIERS GUIDE 2014 © TECHNICAL SPECIFICATIONS & PROFILE DETAILS SUBJECT TO CHANGE WITHOUT NOTICE

ARCHITECTURAL LINEAR 40 - COMPLETE SUITE

DATE 12.06.2018	SCALE 1:2
REF. AL40.0113	



SECTION A-A

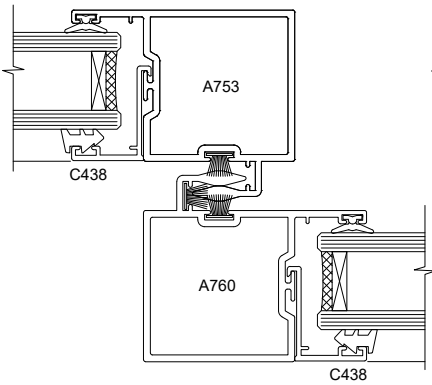


EXTERNAL STACKERS

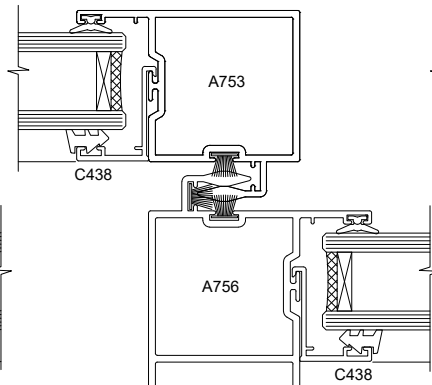
FAIRVIEW SYSTEMS LIMITED SPECIFIERS GUIDE 2014 © TECHNICAL SPECIFICATIONS & PROFILE DETAILS SUBJECT TO CHANGE WITHOUT NOTICE

ARCHITECTURAL LINEAR 40 - COMPLETE SUITE

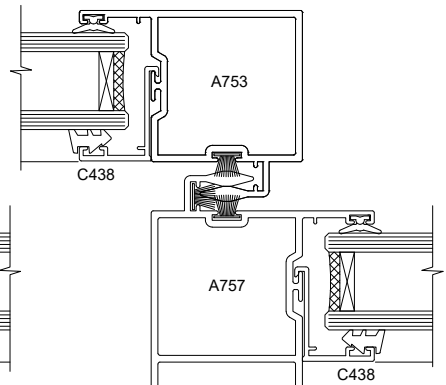
DATE 12.06.2018	SCALE 1:2
REF. AL40.0114	



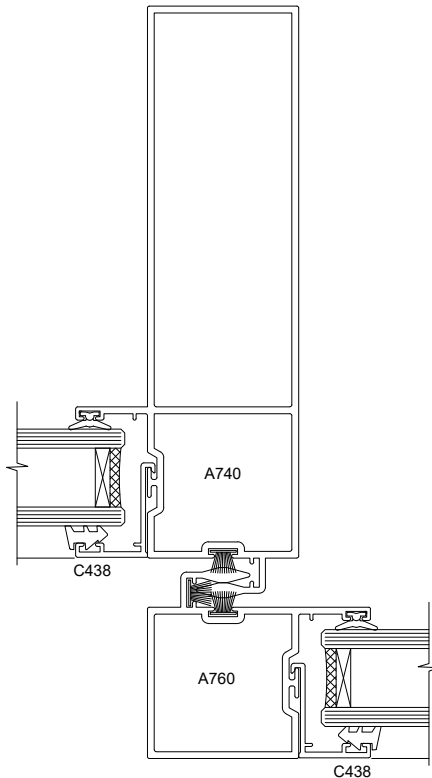
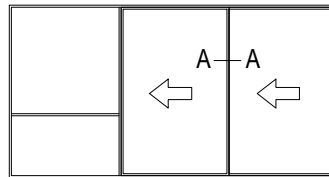
SECTION A-A



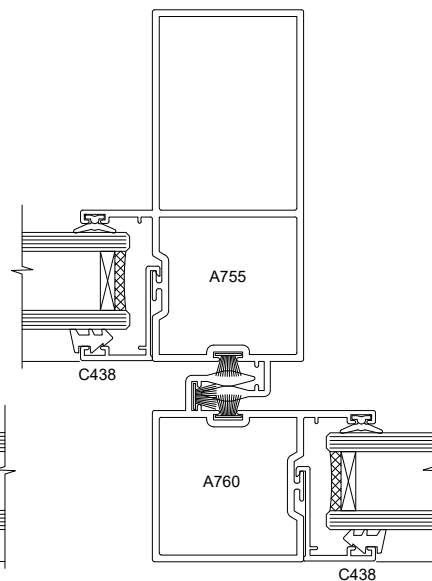
SECTION A-A



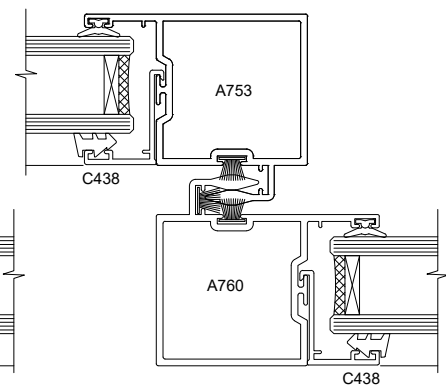
SECTION A-A



SECTION A-A



SECTION A-A



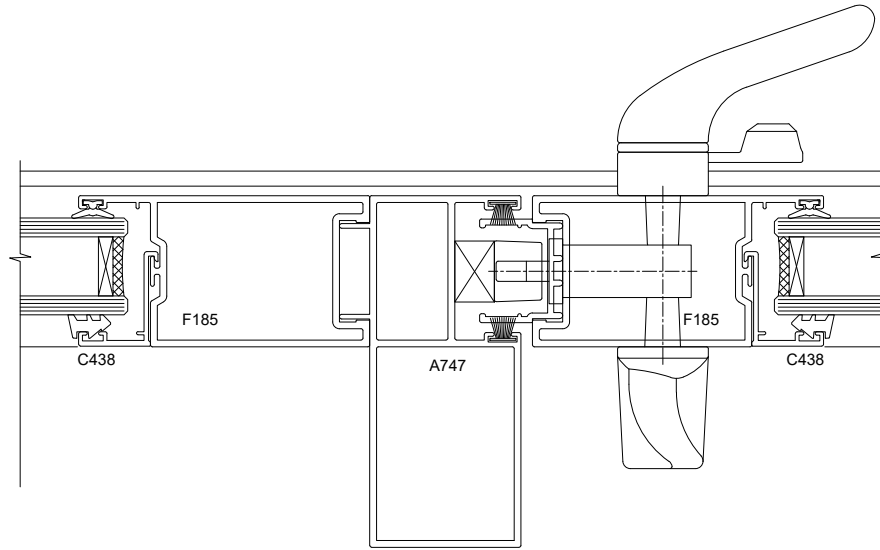
SECTION A-A

EXTERNAL STACKERS

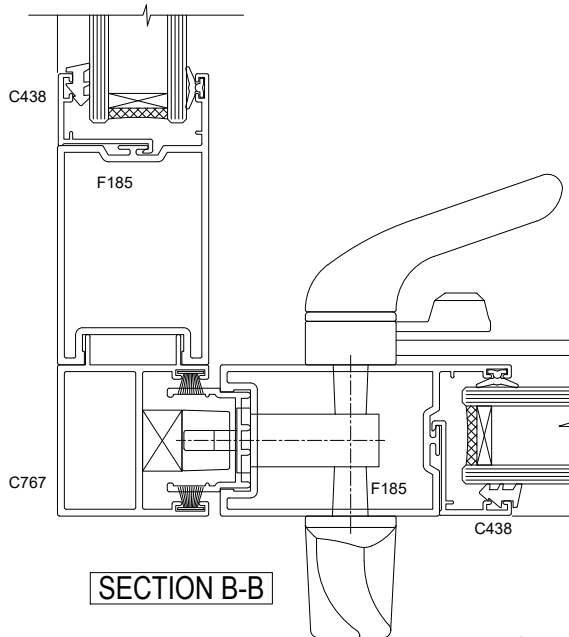
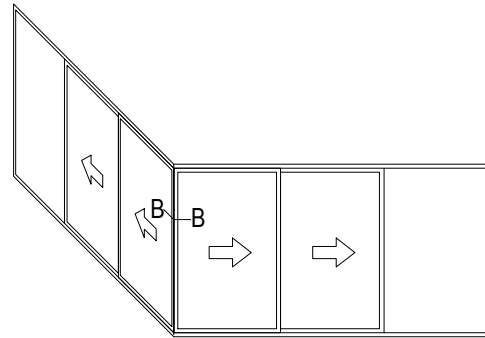
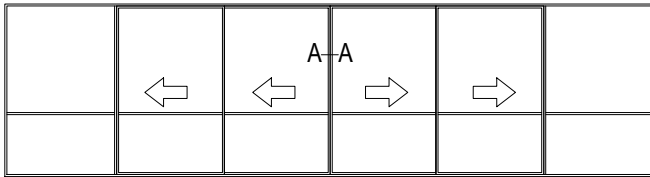
FAIRVIEW SYSTEMS LIMITED SPECIFIERS GUIDE 2014 © TECHNICAL SPECIFICATIONS & PROFILE DETAILS SUBJECT TO CHANGE WITHOUT NOTICE

ARCHITECTURAL LINEAR 40 - COMPLETE SUITE

DATE 12.06.2018	SCALE 1:2
REF. AL40.0115	



SECTION A-A



SECTION B-B

SLIDING DOOR

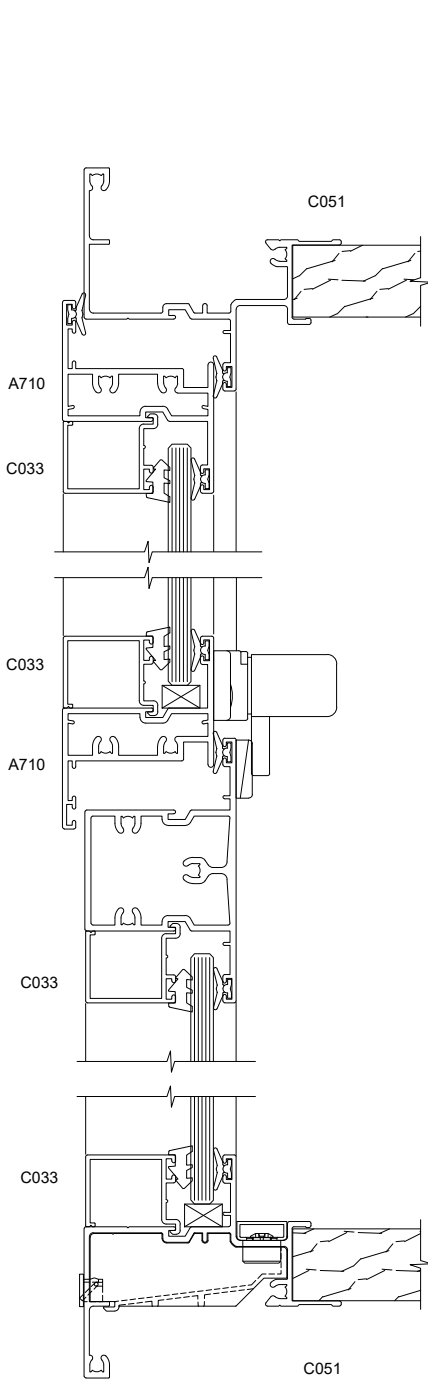
FAIRVIEW SYSTEMS LIMITED SPECIFIERS GUIDE 2014 © TECHNICAL SPECIFICATIONS & PROFILE DETAILS SUBJECT TO CHANGE WITHOUT NOTICE

ARCHITECTURAL LINEAR 40 - COMPLETE SUITE

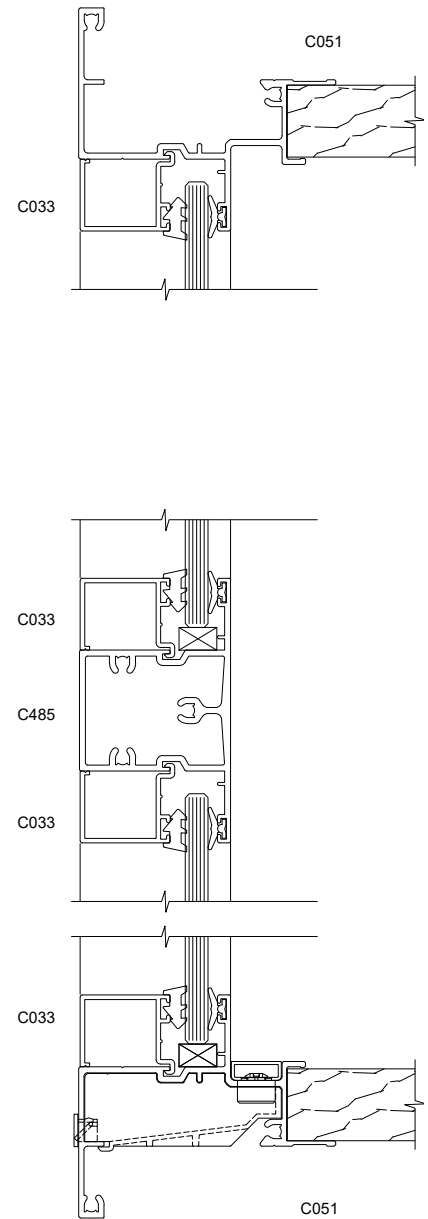
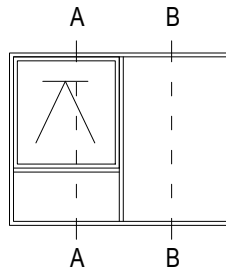
DATE
12.06.2018

SCALE
1:2

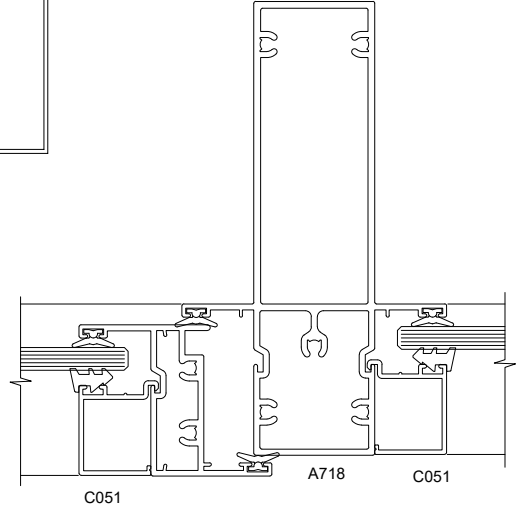
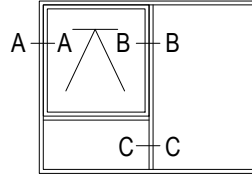
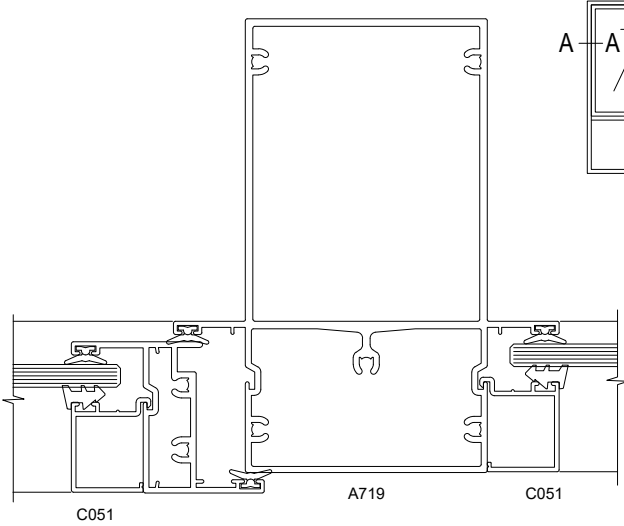
REF. AL40.0116



SECTION A-A

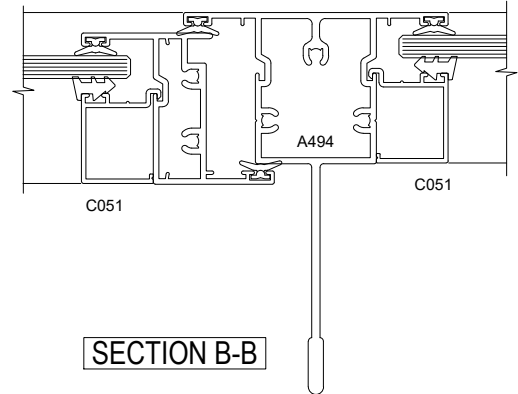
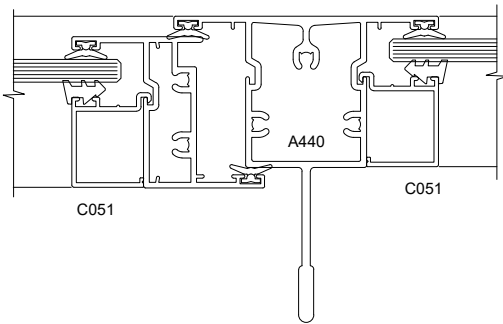


SECTION B-B



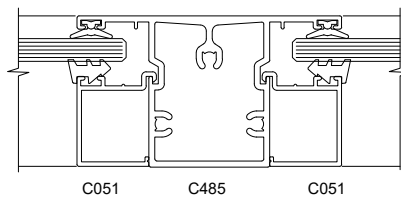
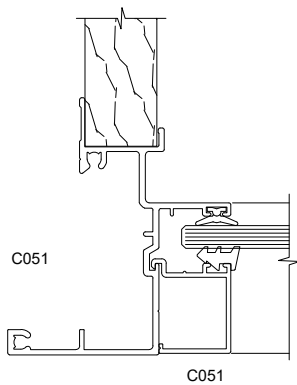
SECTION B-B

SECTION B-B



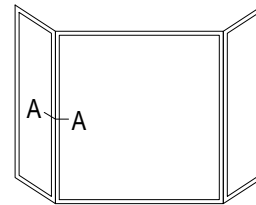
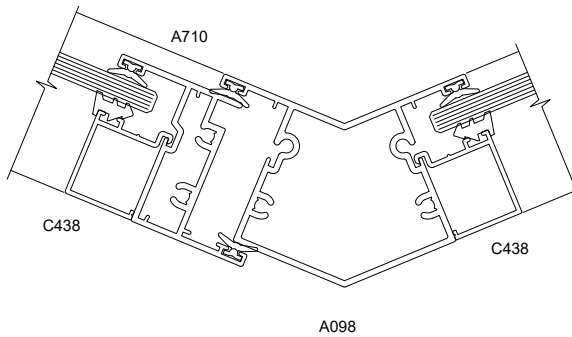
SECTION B-B

SECTION B-B

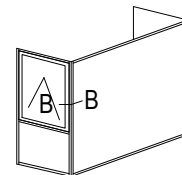
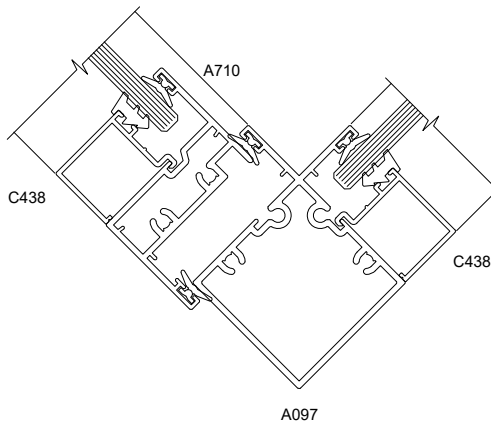


SECTION A-A

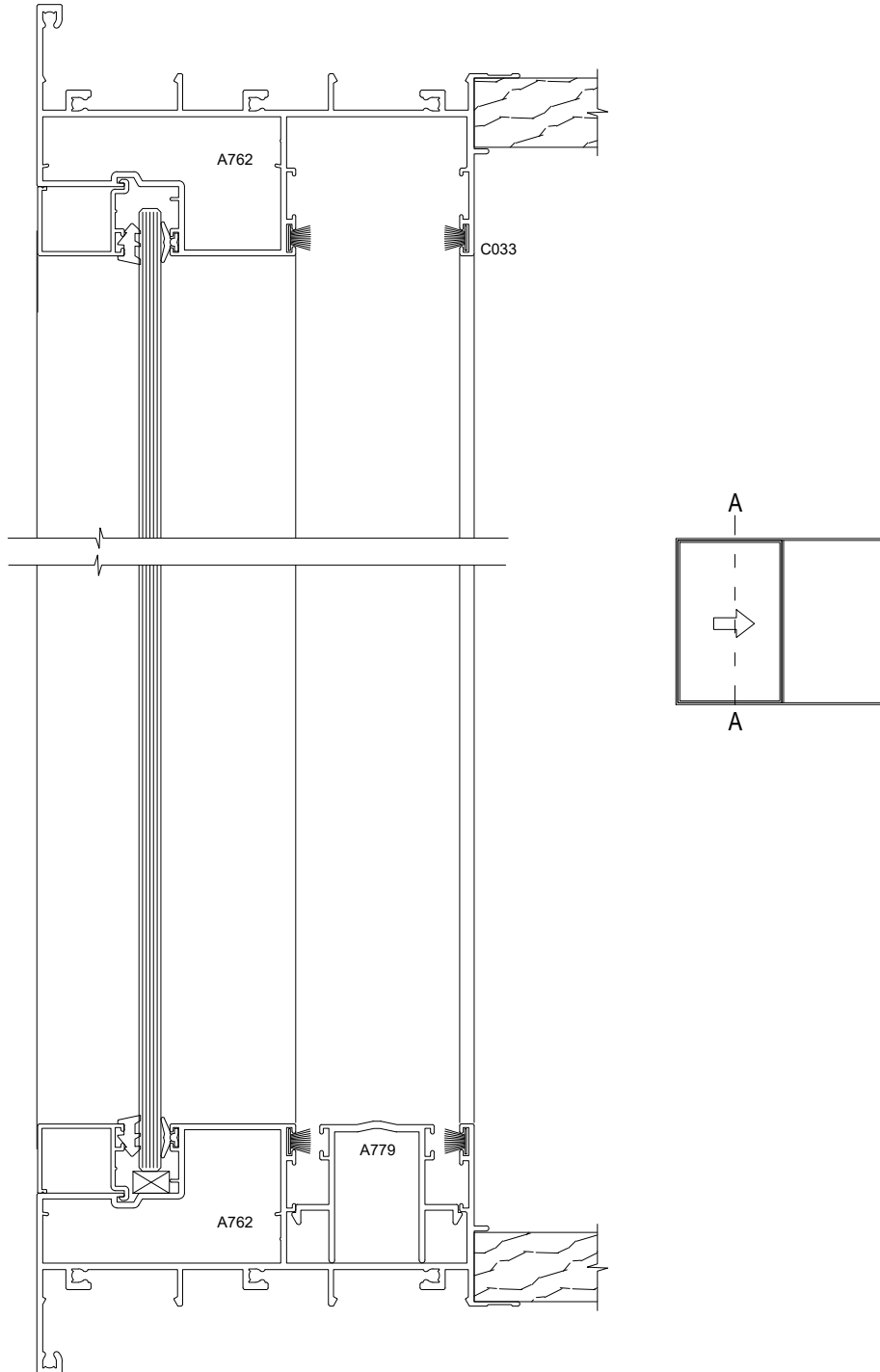
SECTION C-C



SECTION A-A



SECTION B-B



SECTION A-A

SLIDING WINDOW

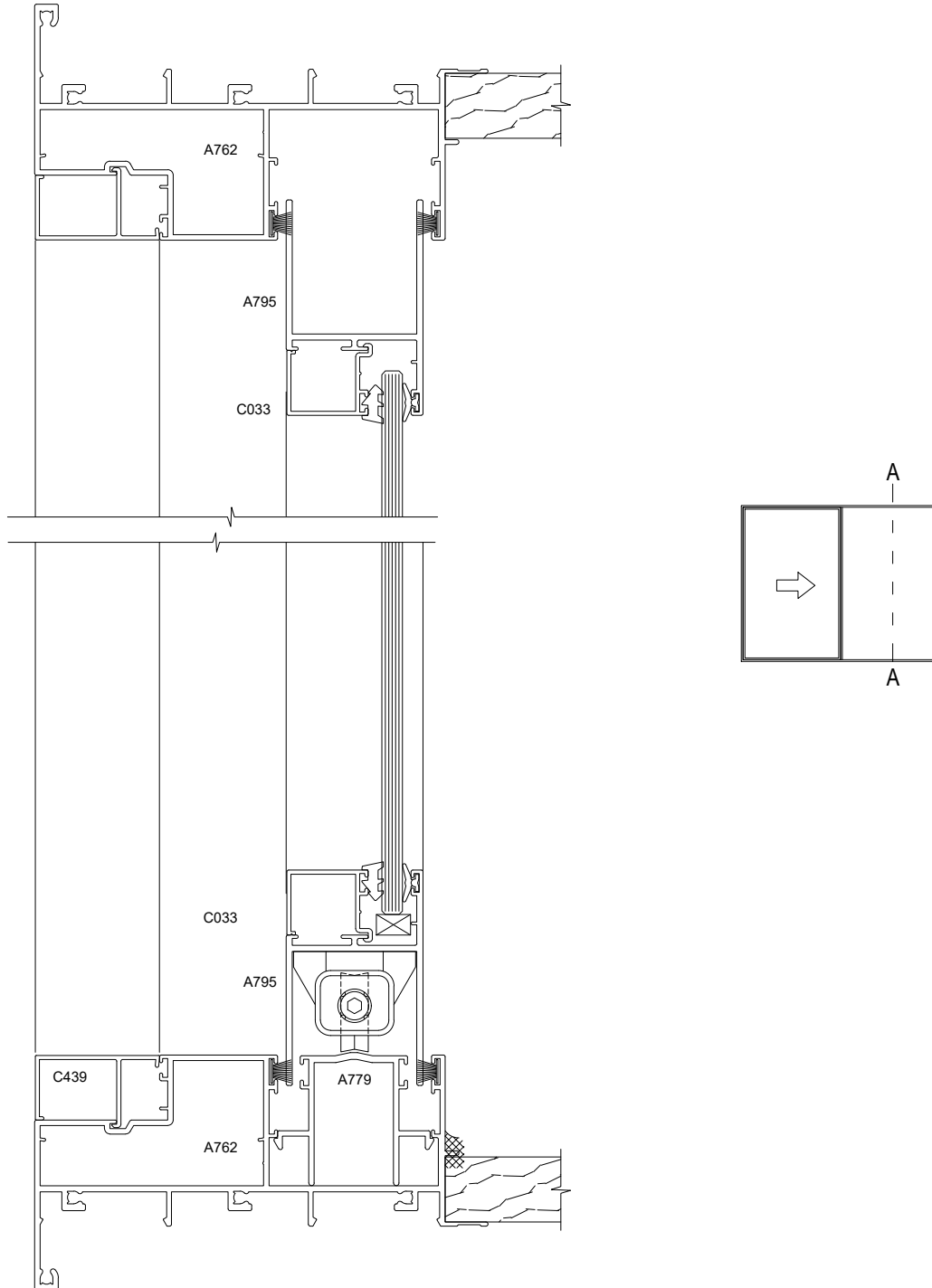
FAIRVIEW SYSTEMS LIMITED SPECIFIERS GUIDE 2014 © TECHNICAL SPECIFICATIONS & PROFILE DETAILS SUBJECT TO CHANGE WITHOUT NOTICE

ARCHITECTURAL LINEAR 40 - COMPLETE SUITE

DATE
12.06.2018

SCALE
1:2

REF. AL40.1011



SECTION A-A

SLIDING WINDOW

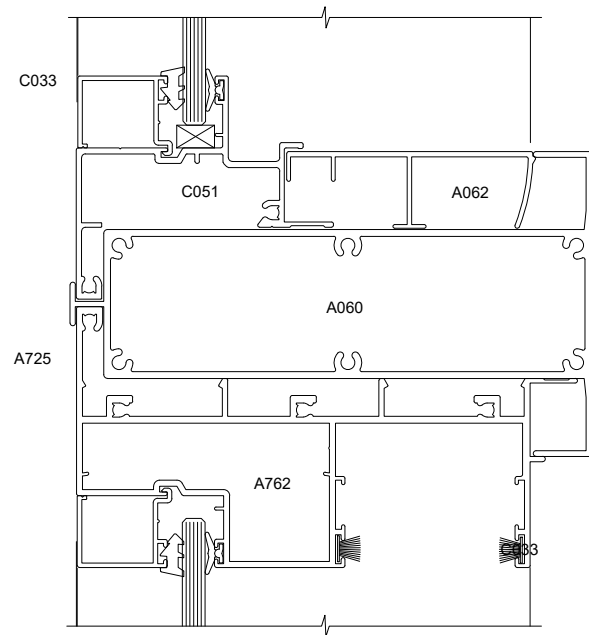
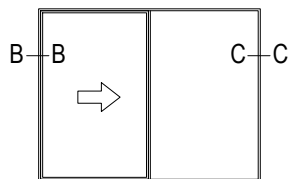
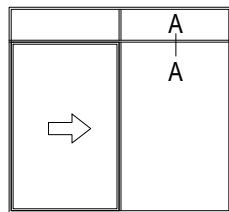
FAIRVIEW SYSTEMS LIMITED SPECIFIERS GUIDE 2014 © TECHNICAL SPECIFICATIONS & PROFILE DETAILS SUBJECT TO CHANGE WITHOUT NOTICE

ARCHITECTURAL LINEAR 40 - COMPLETE SUITE

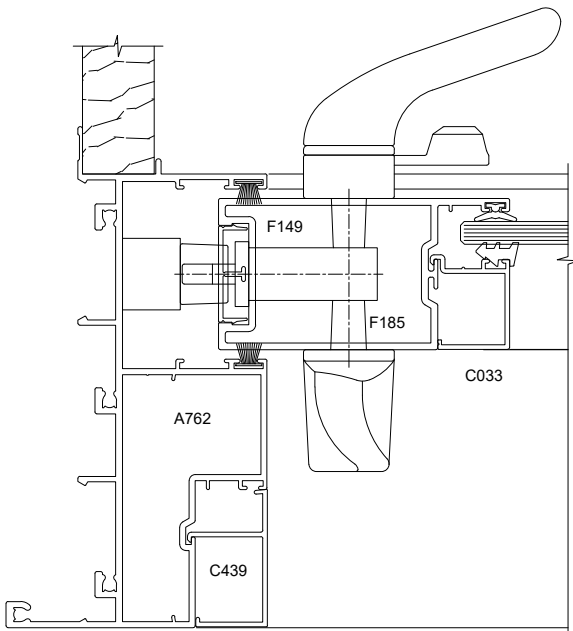
DATE
12.06.2018

SCALE
1:2

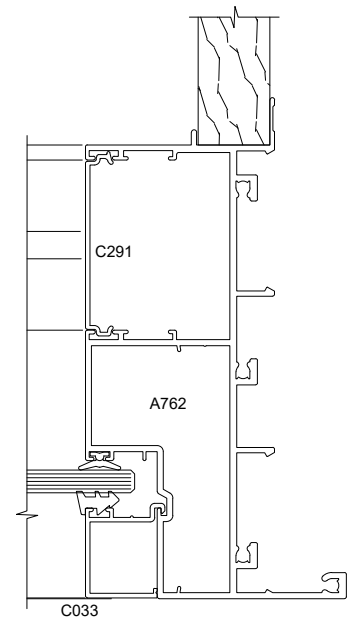
REF. AL40.1012



SECTION A-A



SECTION B-B



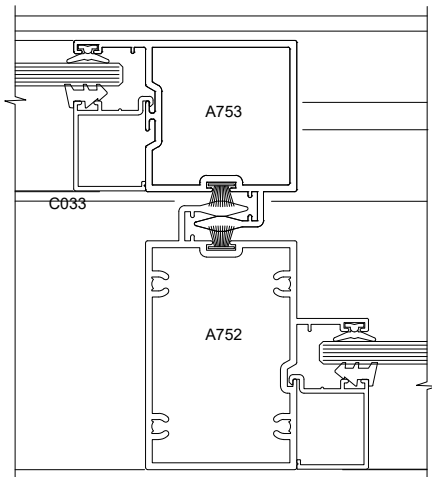
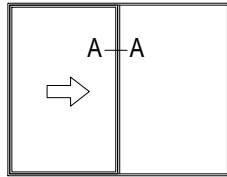
SECTION C-C

SLIDING WINDOW

FAIRVIEW SYSTEMS LIMITED SPECIFIERS GUIDE 2014 © TECHNICAL SPECIFICATIONS & PROFILE DETAILS SUBJECT TO CHANGE WITHOUT NOTICE

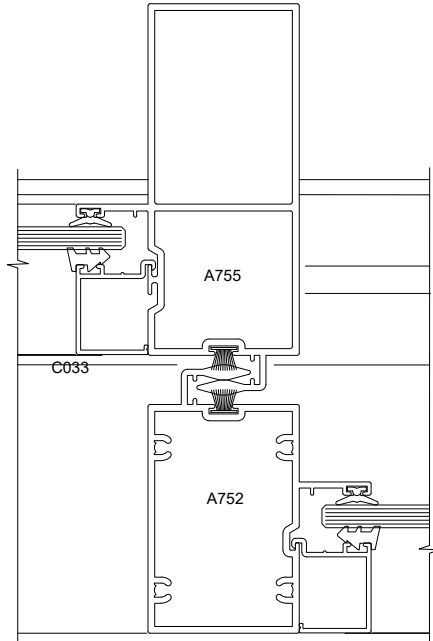
ARCHITECTURAL LINEAR 40 - COMPLETE SUITE

DATE 12.06.2018	SCALE 1:2
REF. AL40.1013	



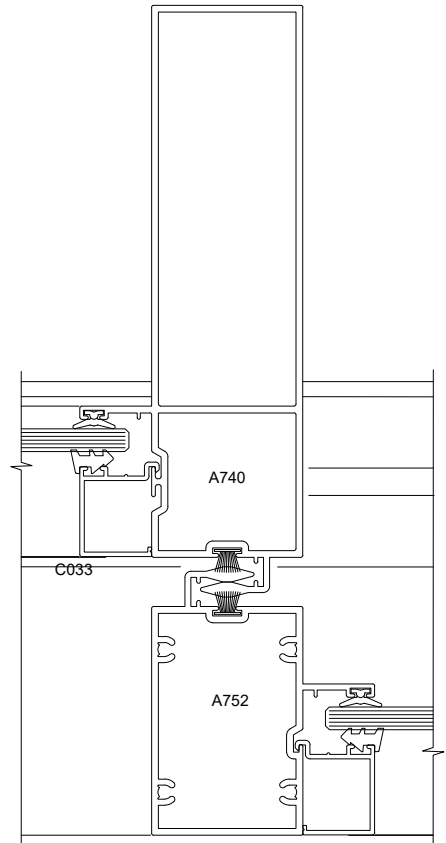
C033

SECTION A-A



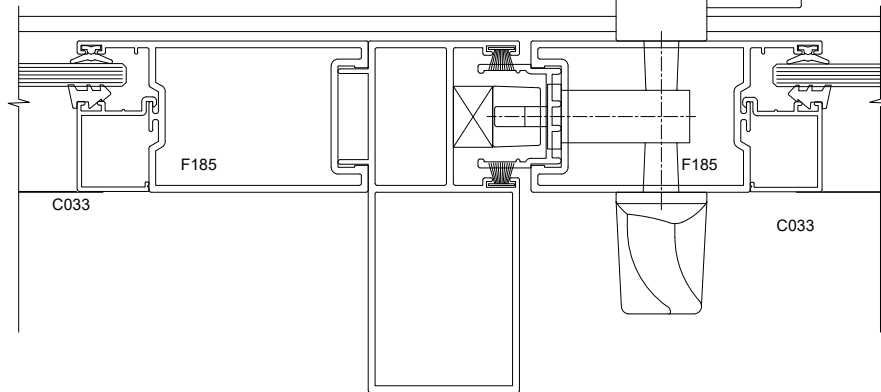
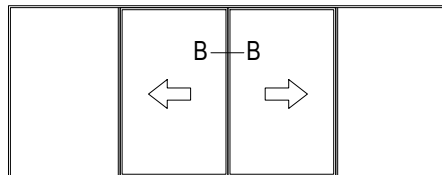
C033

SECTION A-A



C033

SECTION A-A



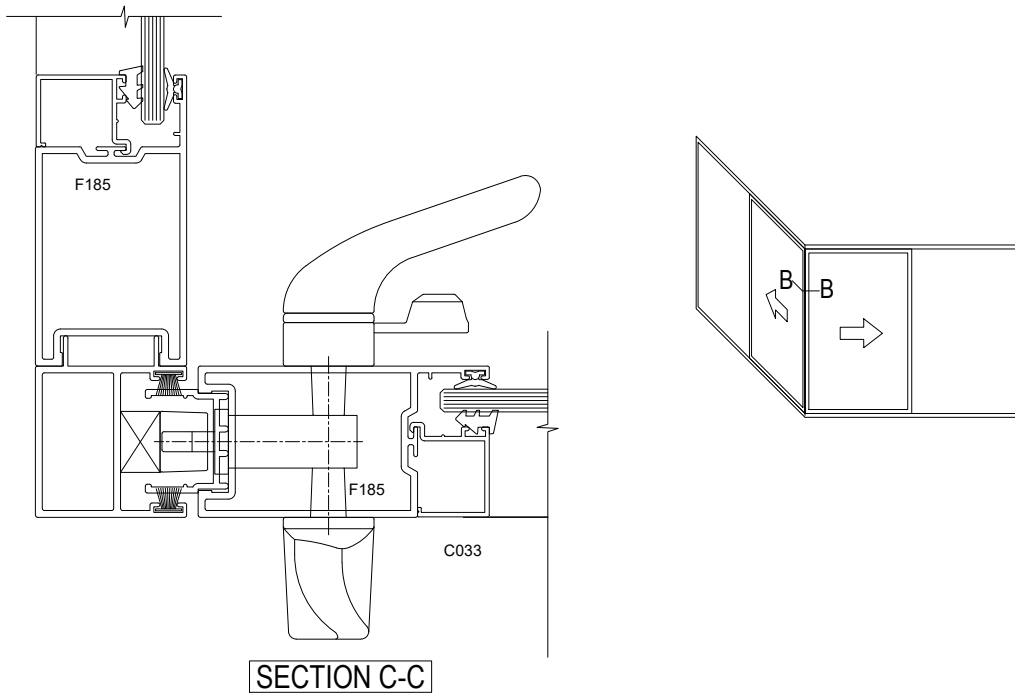
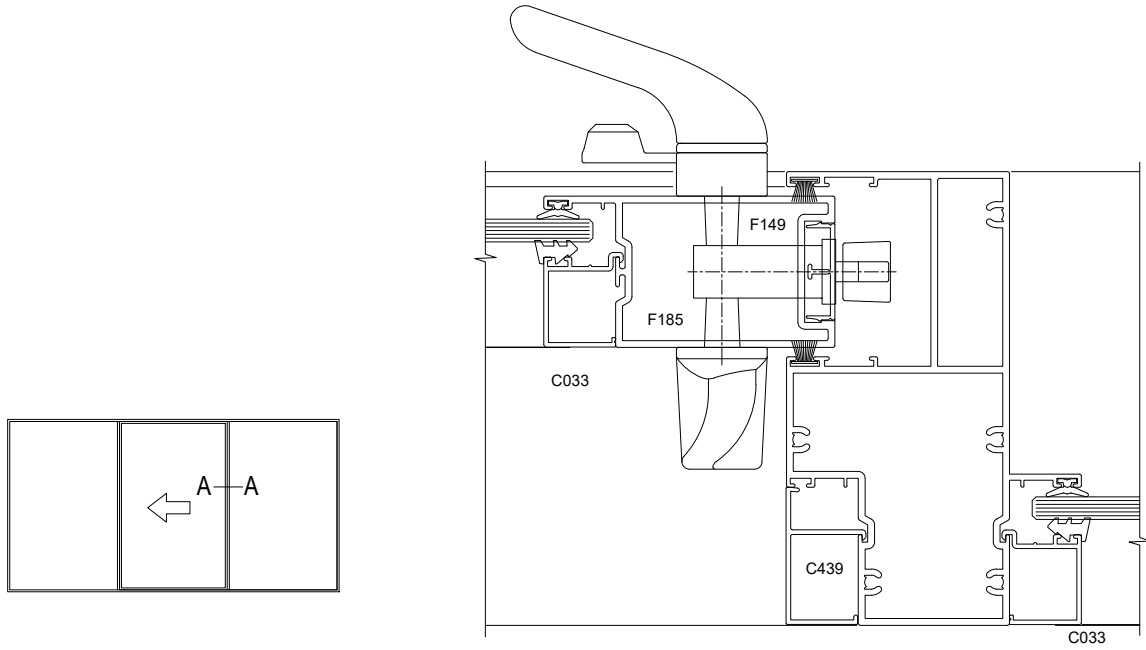
SECTION B-B

SLIDING WINDOW

FAIRVIEW SYSTEMS LIMITED SPECIFIERS GUIDE 2014 © TECHNICAL SPECIFICATIONS & PROFILE DETAILS SUBJECT TO CHANGE WITHOUT NOTICE

ARCHITECTURAL LINEAR 40 - COMPLETE SUITE

DATE 12.06.2018	SCALE 1:2
REF. AL40.1014	

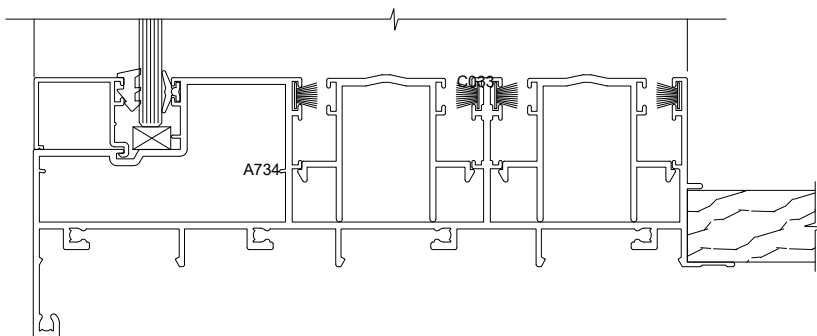
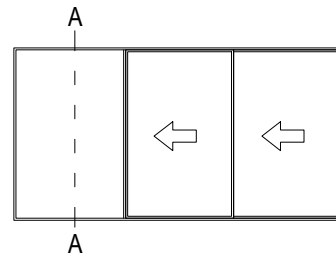
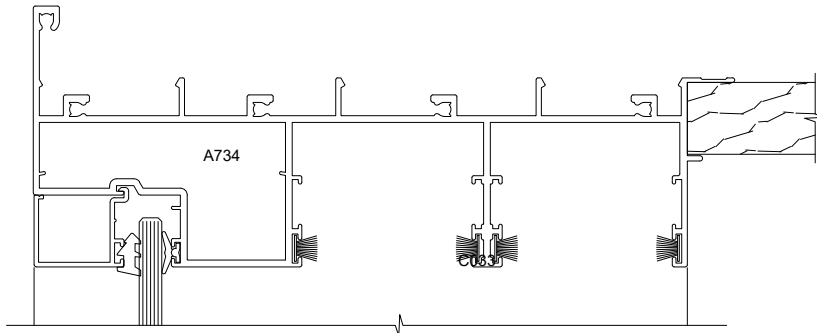


SLIDING WINDOW

FAIRVIEW SYSTEMS LIMITED SPECIFIERS GUIDE 2014 © TECHNICAL SPECIFICATIONS & PROFILE DETAILS SUBJECT TO CHANGE WITHOUT NOTICE

ARCHITECTURAL LINEAR 40 - COMPLETE SUITE

DATE 12.06.2018	SCALE 1:2
REF. AL40.1015	



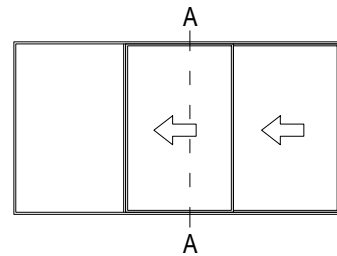
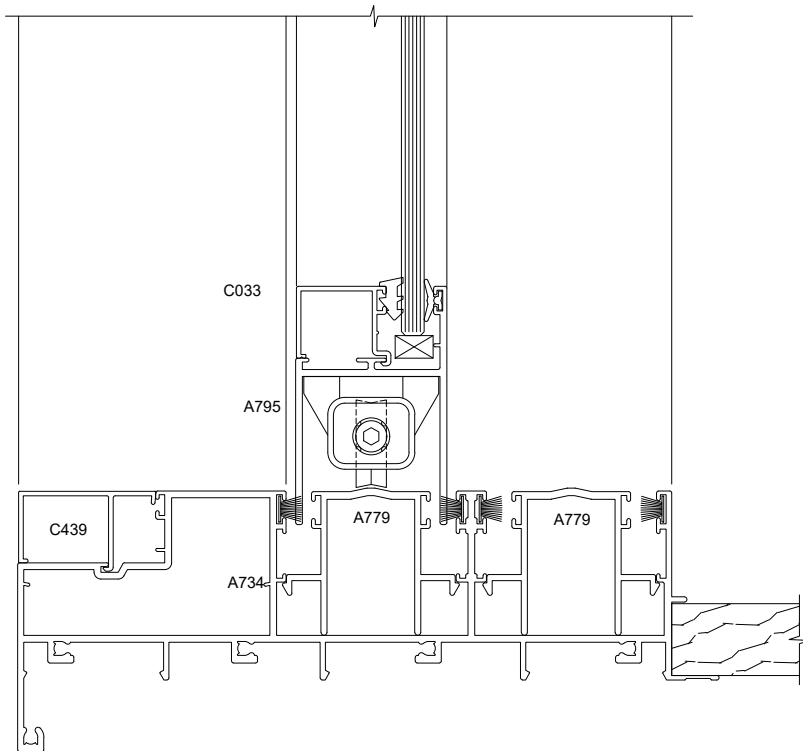
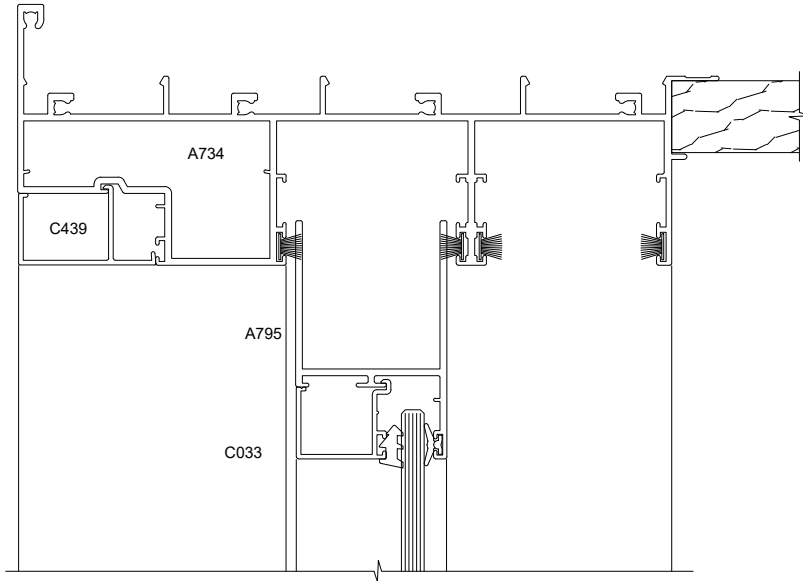
SECTION A-A

STACKING WINDOW

FAIRVIEW SYSTEMS LIMITED SPECIFIERS GUIDE 2014 © TECHNICAL SPECIFICATIONS & PROFILE DETAILS SUBJECT TO CHANGE WITHOUT NOTICE

ARCHITECTURAL LINEAR 40 - COMPLETE SUITE

DATE 12.06.2018	SCALE 1:2
REF. AL40.1021	



SECTION A-A

STACKING WINDOW

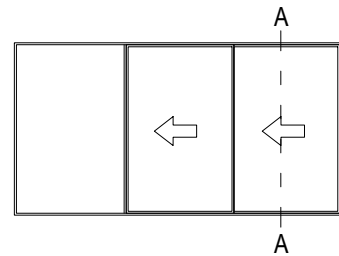
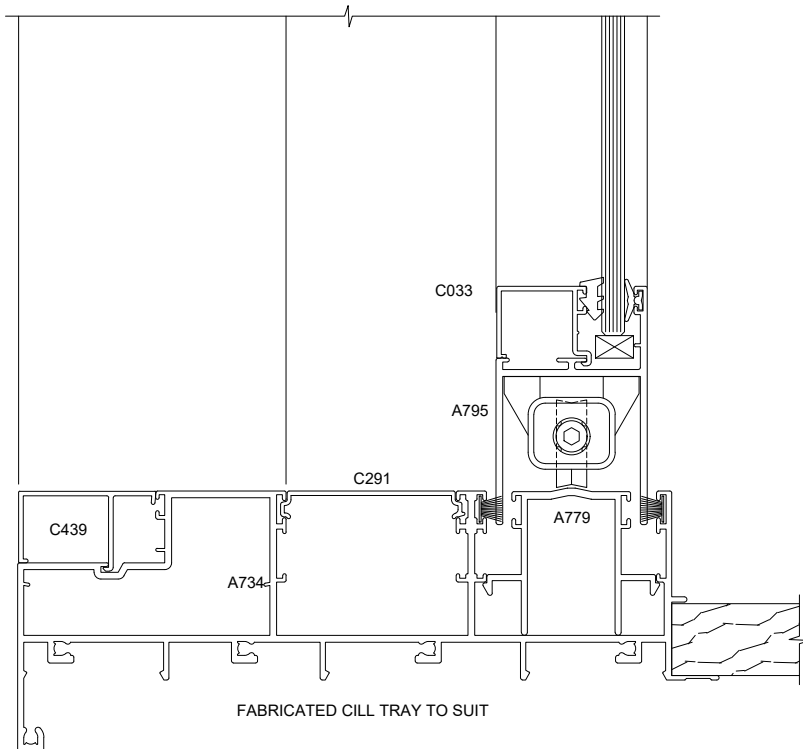
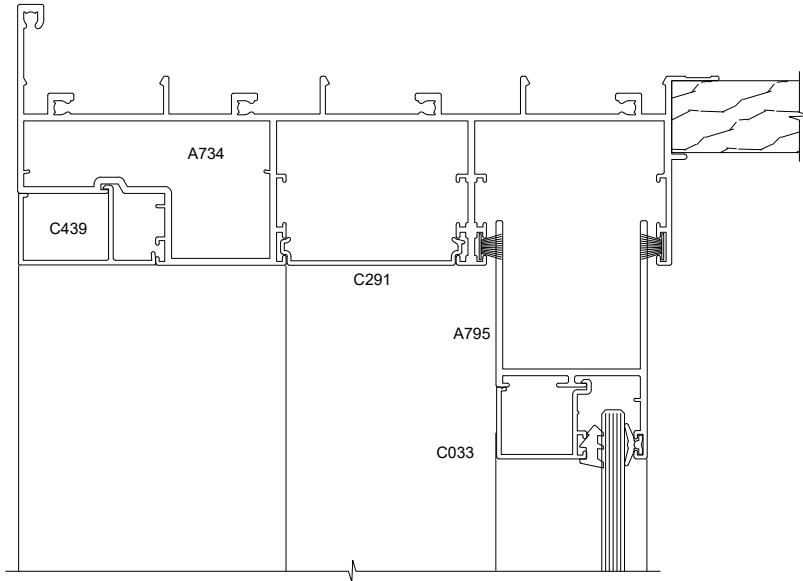
FAIRVIEW SYSTEMS LIMITED SPECIFIERS GUIDE 2014 © TECHNICAL SPECIFICATIONS & PROFILE DETAILS SUBJECT TO CHANGE WITHOUT NOTICE

ARCHITECTURAL LINEAR 40 - COMPLETE SUITE

DATE
12.06.2018

SCALE
1:2

REF. AL40.1022



SECTION A-A

STACKING WINDOW

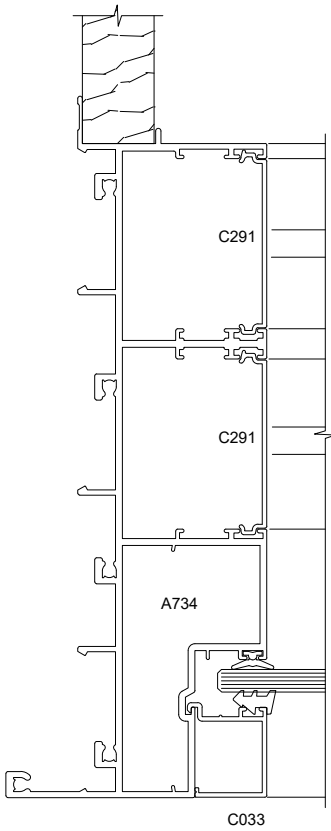
FAIRVIEW SYSTEMS LIMITED SPECIFIERS GUIDE 2014 © TECHNICAL SPECIFICATIONS & PROFILE DETAILS SUBJECT TO CHANGE WITHOUT NOTICE

ARCHITECTURAL LINEAR 40 - COMPLETE SUITE

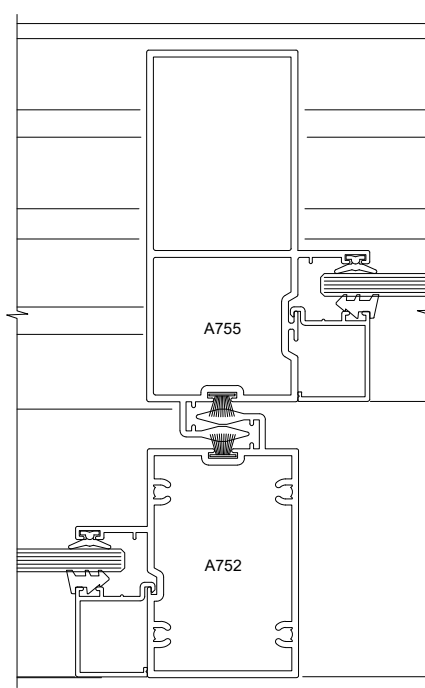
DATE
12.06.2018

SCALE
1:2

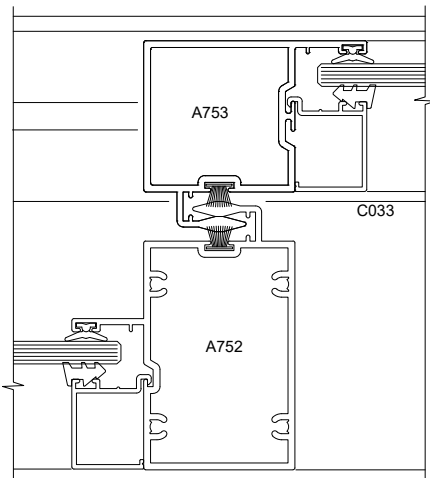
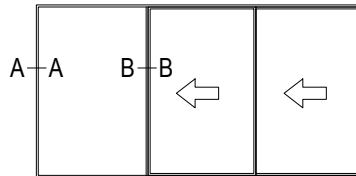
REF. AL40.1023



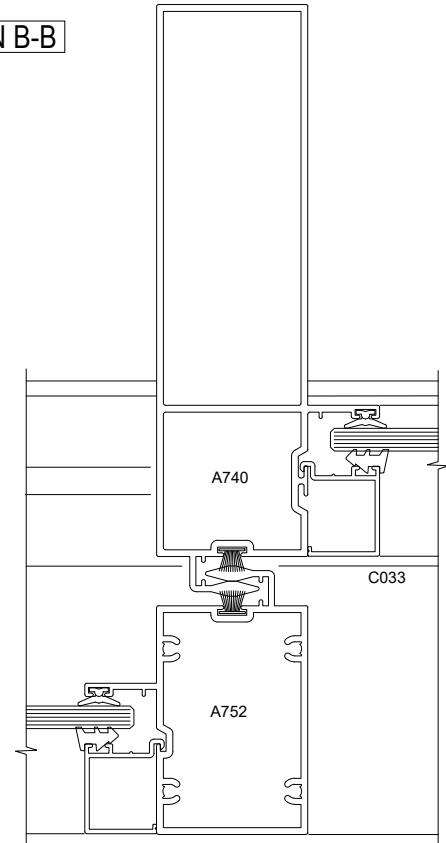
SECTION A-A



SECTION B-B



SECTION B-B



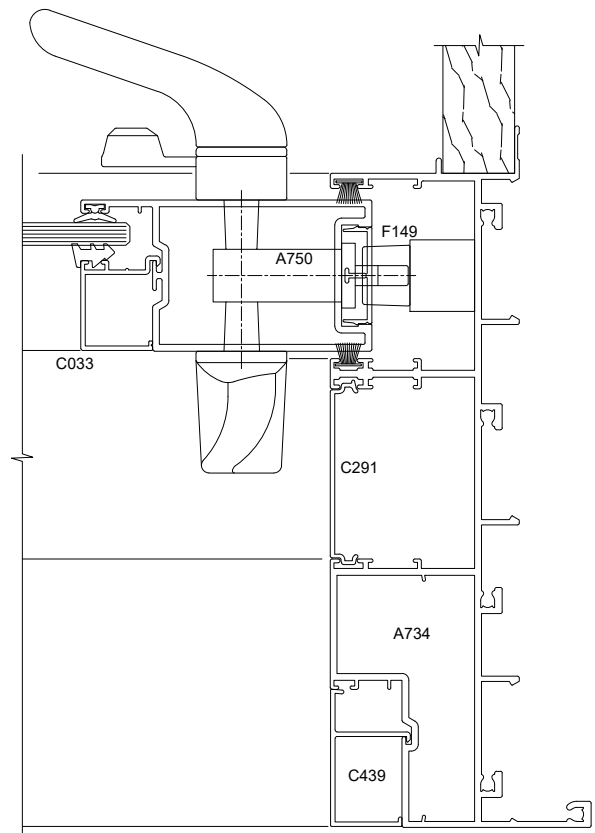
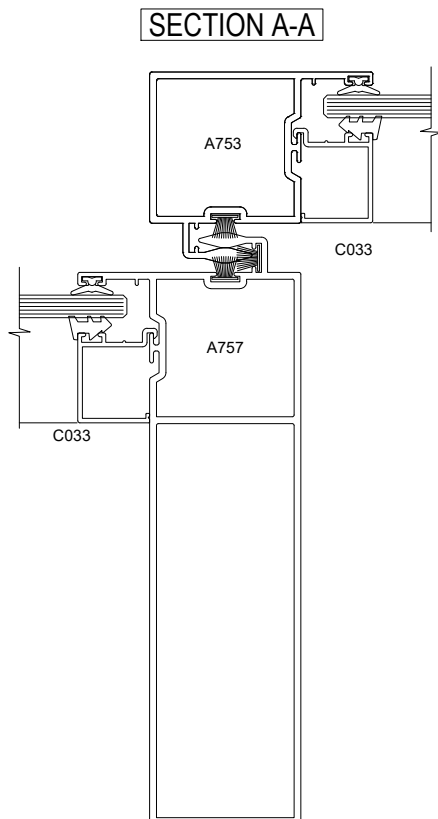
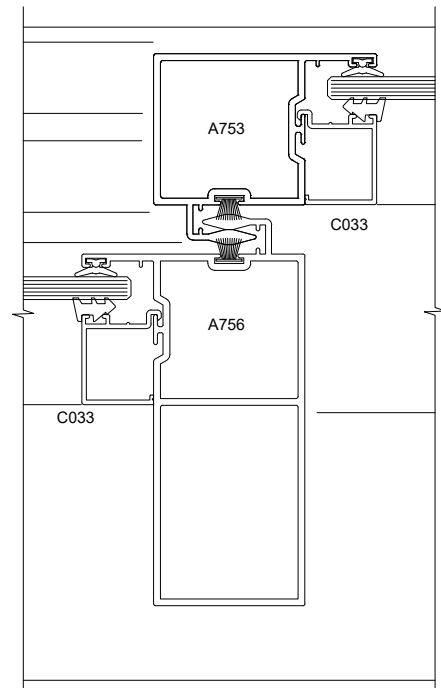
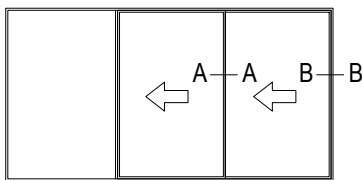
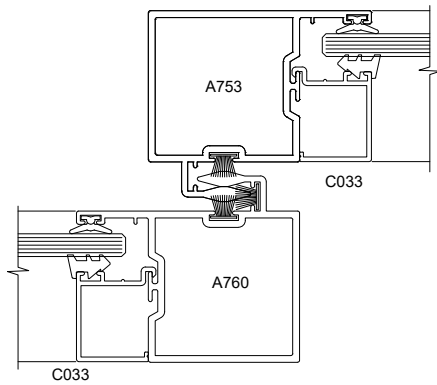
SECTION B-B

STACKING WINDOW

FAIRVIEW SYSTEMS LIMITED SPECIFIERS GUIDE 2014 © TECHNICAL SPECIFICATIONS & PROFILE DETAILS SUBJECT TO CHANGE WITHOUT NOTICE

ARCHITECTURAL LINEAR 40 - COMPLETE SUITE

DATE 12.06.2018	SCALE 1:2
REF. AL40.1024	

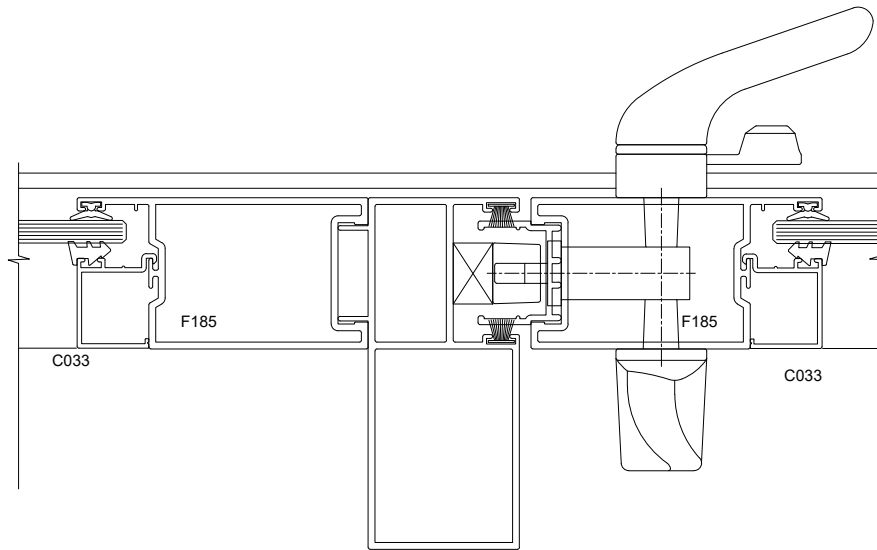


STACKING WINDOW

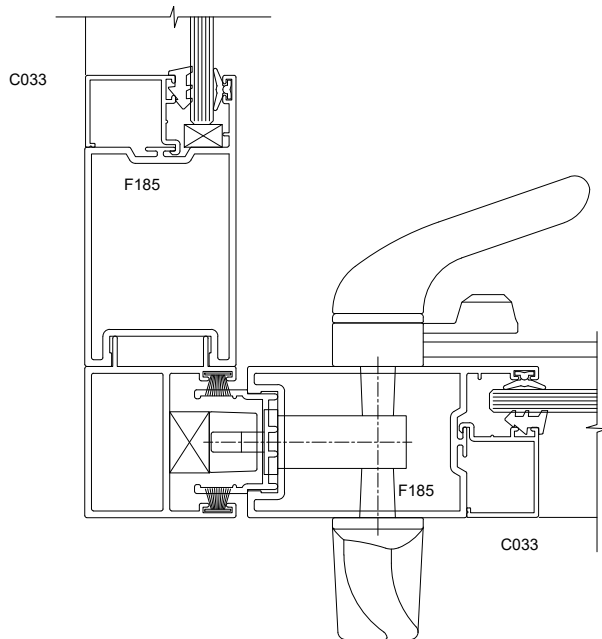
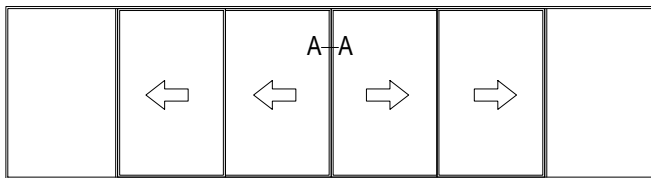
FAIRVIEW SYSTEMS LIMITED SPECIFIERS GUIDE 2014 © TECHNICAL SPECIFICATIONS & PROFILE DETAILS SUBJECT TO CHANGE WITHOUT NOTICE

ARCHITECTURAL LINEAR 40 - COMPLETE SUITE

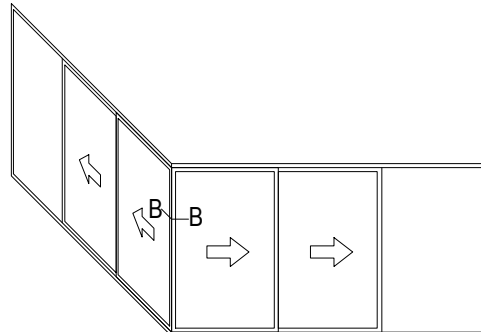
DATE 12.06.2018	SCALE 1:2
REF. AL40.1025	



SECTION A-A



SECTION B-B

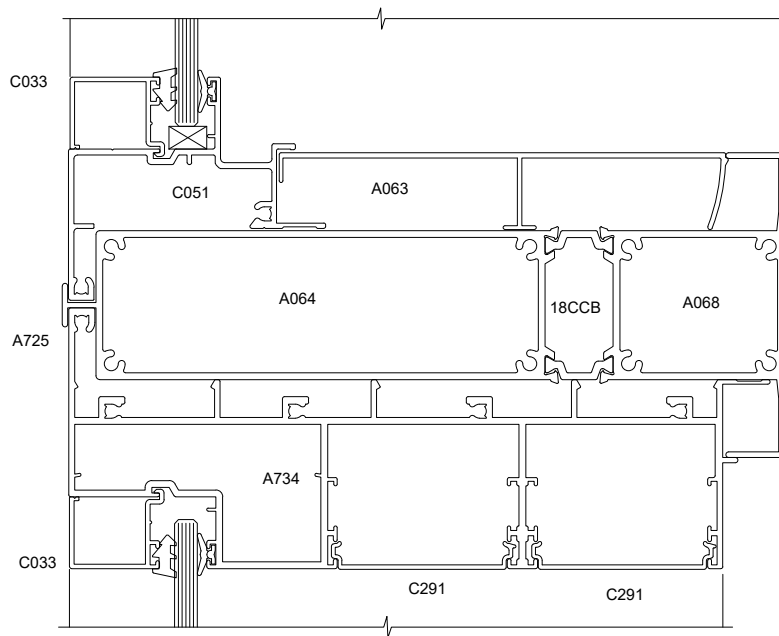
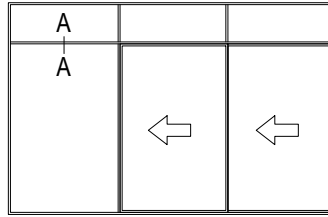


STACKING WINDOW

FAIRVIEW SYSTEMS LIMITED SPECIFIERS GUIDE 2014 © TECHNICAL SPECIFICATIONS & PROFILE DETAILS SUBJECT TO CHANGE WITHOUT NOTICE

ARCHITECTURAL LINEAR 40 - COMPLETE SUITE

DATE 12.06.2018	SCALE 1:2
REF. AL40.1026	



SECTION A-A

STACKING WINDOW

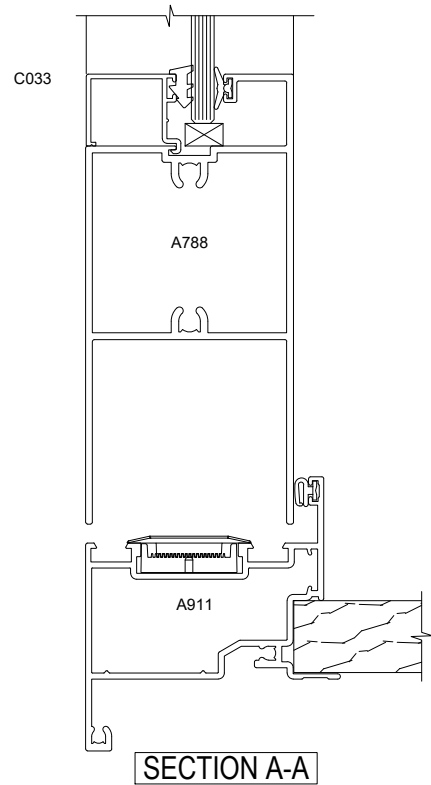
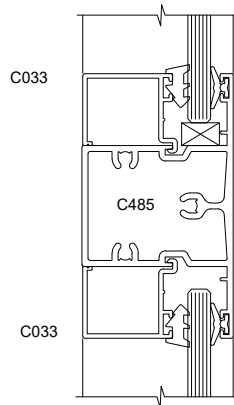
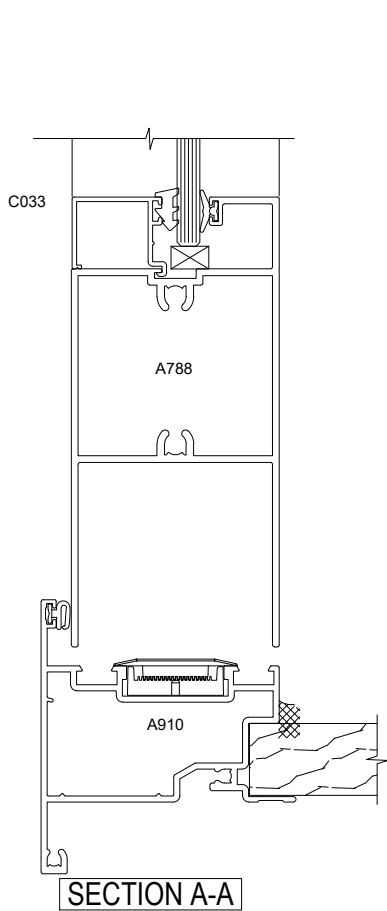
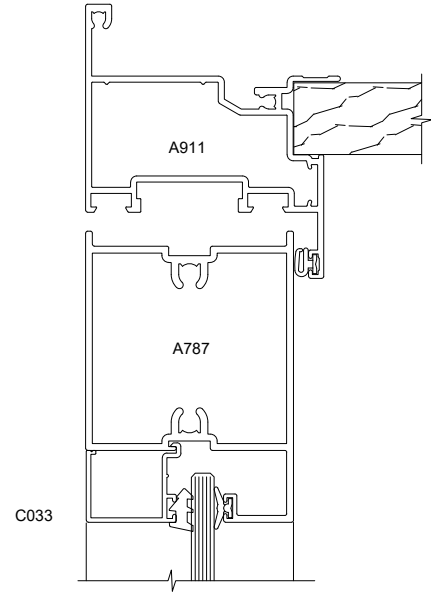
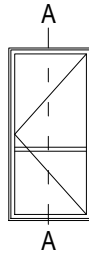
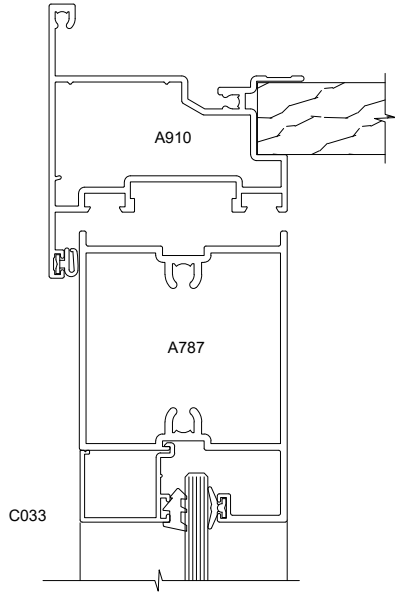
FAIRVIEW SYSTEMS LIMITED SPECIFIERS GUIDE 2014 © TECHNICAL SPECIFICATIONS & PROFILE DETAILS SUBJECT TO CHANGE WITHOUT NOTICE

ARCHITECTURAL LINEAR 40 - COMPLETE SUITE

DATE
12.06.2018

SCALE
1:2

REF. AL40.1027

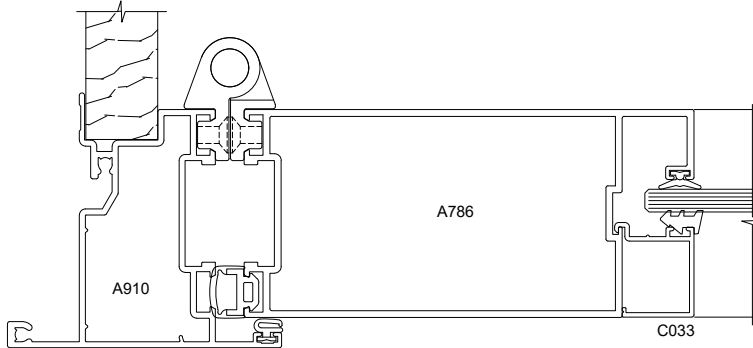


HINGED DOOR

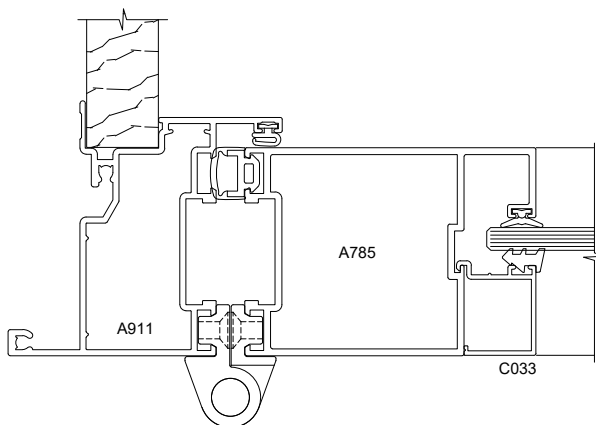
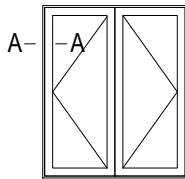
FAIRVIEW SYSTEMS LIMITED SPECIFIERS GUIDE 2014 © TECHNICAL SPECIFICATIONS & PROFILE DETAILS SUBJECT TO CHANGE WITHOUT NOTICE

ARCHITECTURAL LINEAR 40 - COMPLETE SUITE

DATE 12.06.2018	SCALE 1:2
REF. AL40.1031	



SECTION A-A
WIDE STILE OPTION



SECTION A-A
STANDARD STILE OPTION

HINGED DOOR

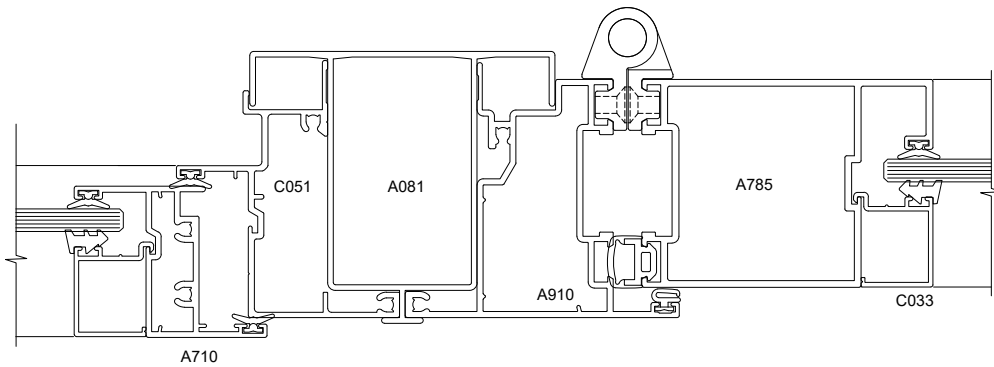
FAIRVIEW SYSTEMS LIMITED SPECIFIERS GUIDE 2014 © TECHNICAL SPECIFICATIONS & PROFILE DETAILS SUBJECT TO CHANGE WITHOUT NOTICE

ARCHITECTURAL LINEAR 40 - COMPLETE SUITE

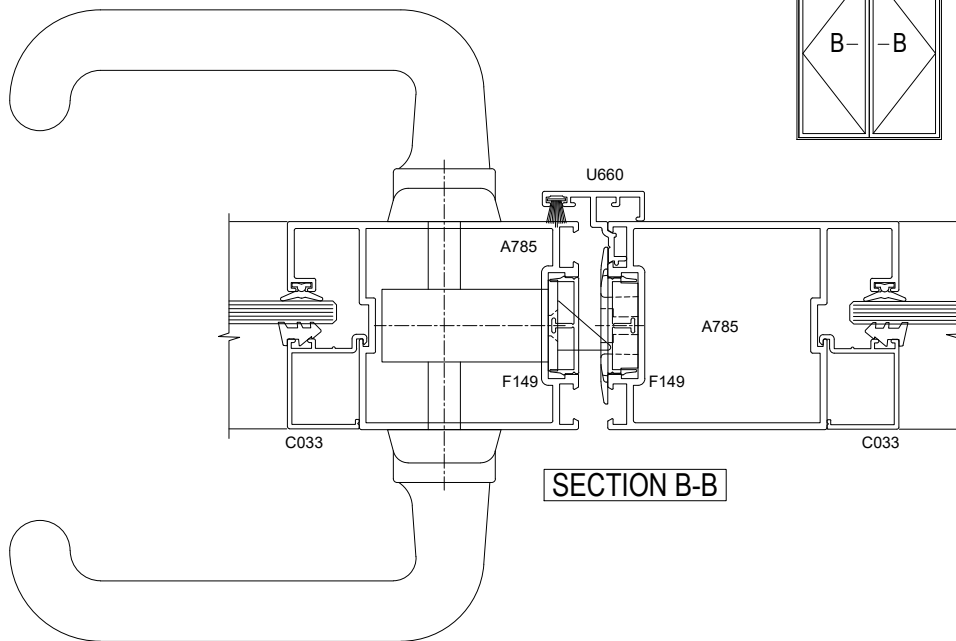
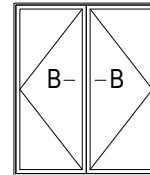
DATE
12.06.2018

SCALE
1:2

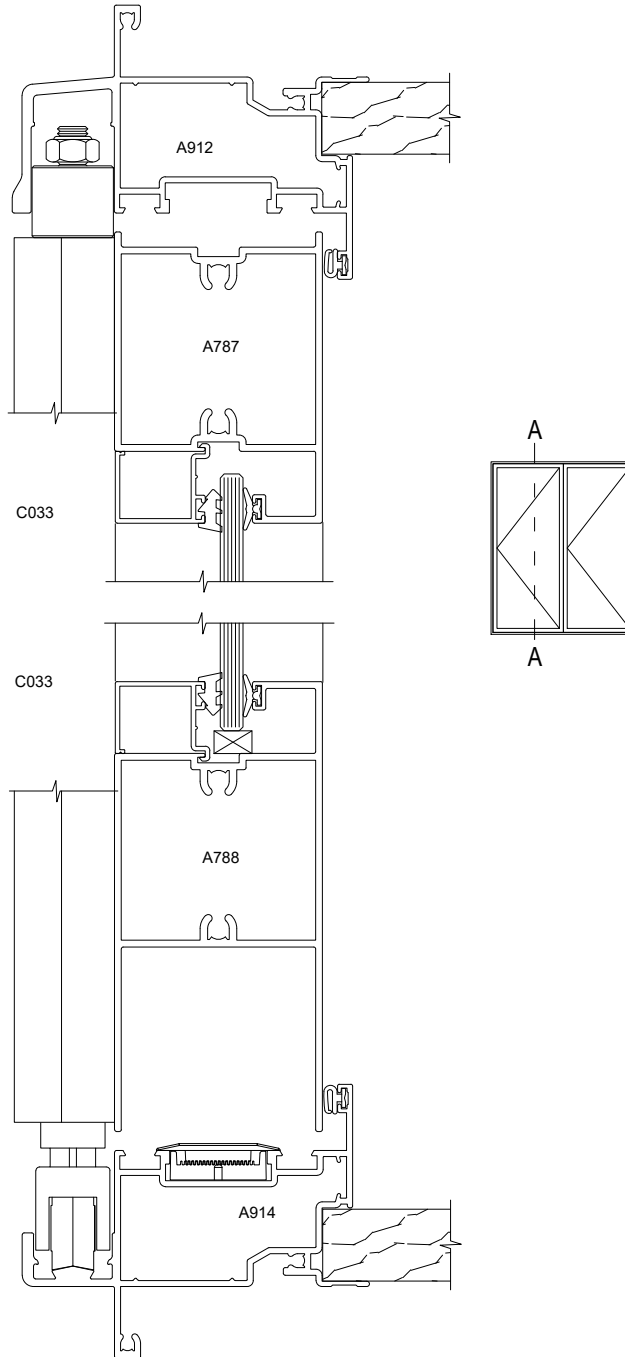
REF. AL40.1032



SECTION A-A



SECTION B-B



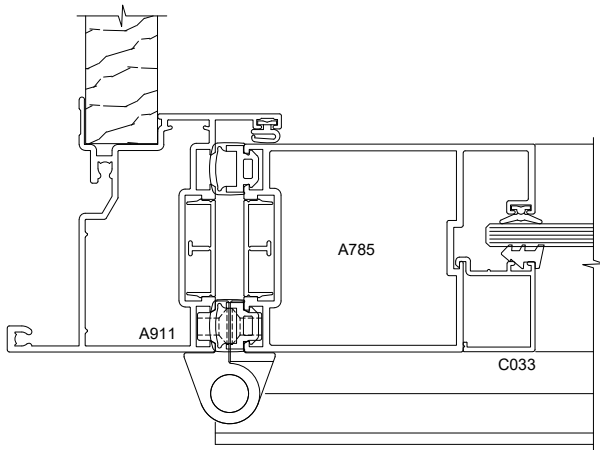
SECTION A-A

BOTTOM ROLLING BIFOLD DOOR

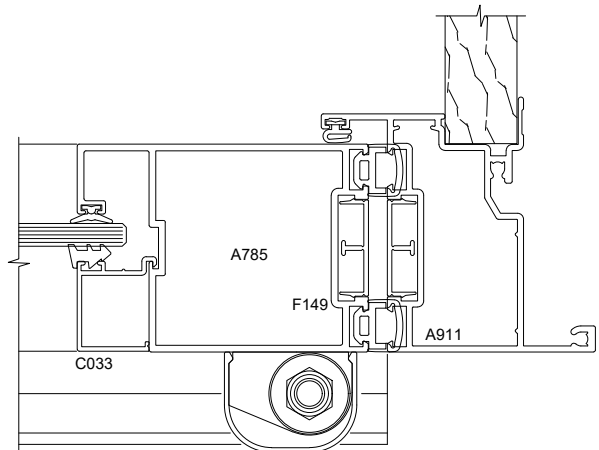
FAIRVIEW SYSTEMS LIMITED SPECIFIERS GUIDE 2014 © TECHNICAL SPECIFICATIONS & PROFILE DETAILS SUBJECT TO CHANGE WITHOUT NOTICE

ARCHITECTURAL LINEAR 40 - COMPLETE SUITE

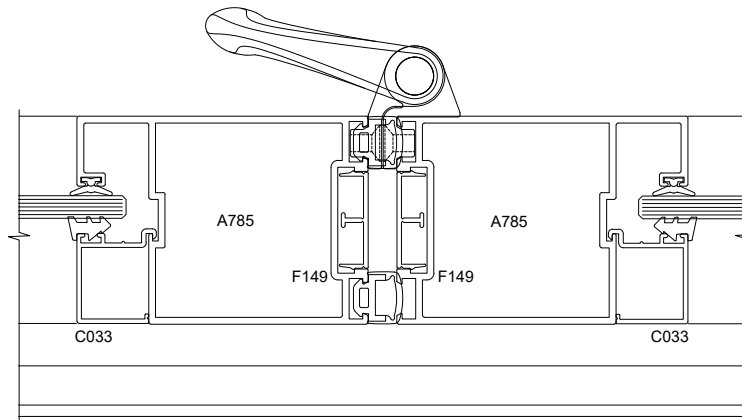
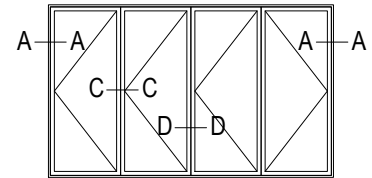
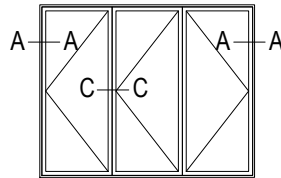
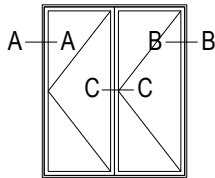
DATE 12.06.2018	SCALE 1:2
REF. AL40.1041	



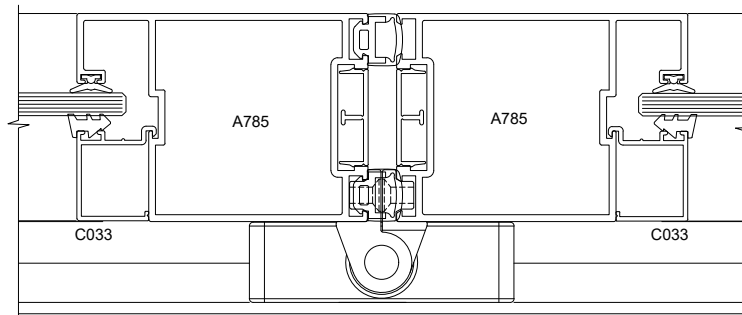
SECTION A-A



SECTION B-B



SECTION C-C



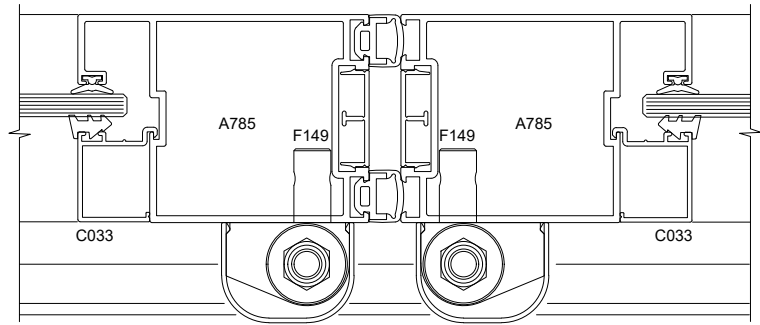
SECTION D-D

BOTTOM ROLLING BIFOLD DOOR

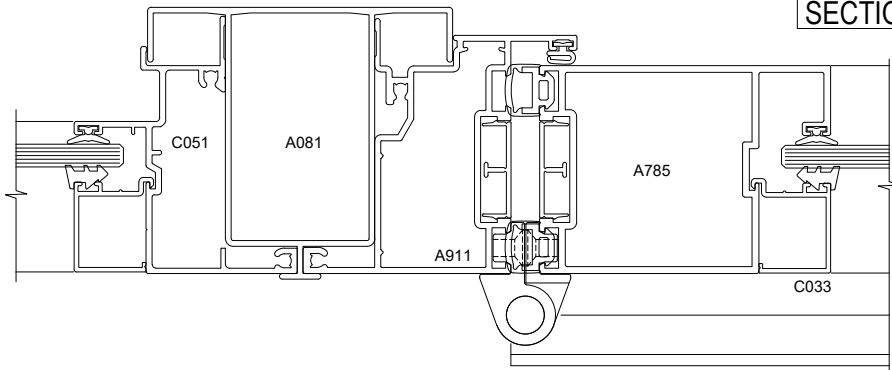
FAIRVIEW SYSTEMS LIMITED SPECIFIERS GUIDE 2014 © TECHNICAL SPECIFICATIONS & PROFILE DETAILS SUBJECT TO CHANGE WITHOUT NOTICE

ARCHITECTURAL LINEAR 40 - COMPLETE SUITE

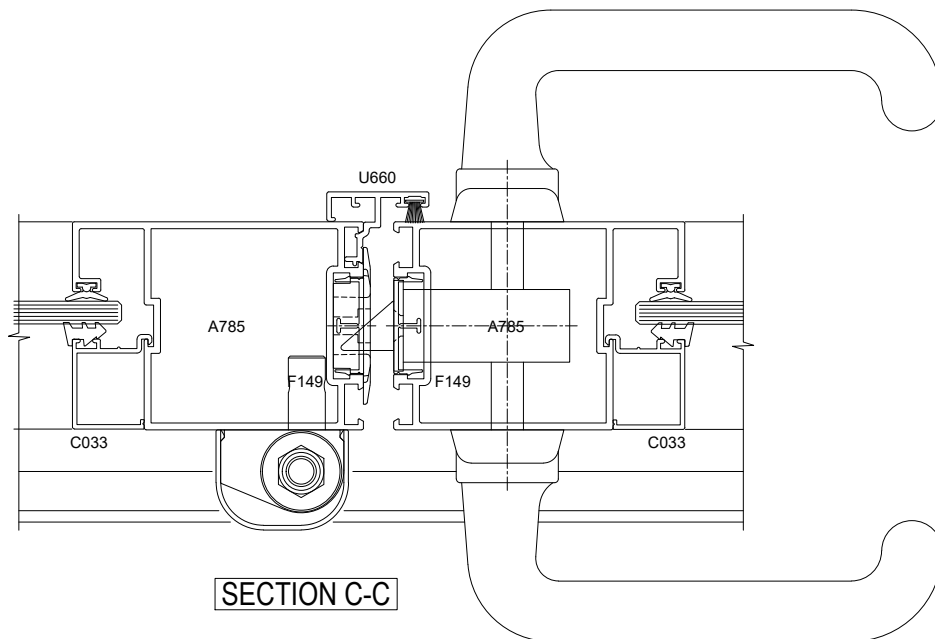
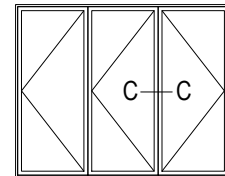
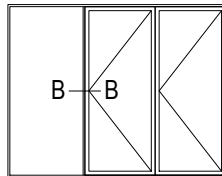
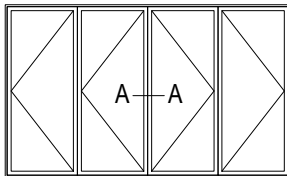
DATE 12.06.2018	SCALE 1:2
REF. AL40.1042	



SECTION A-A



SECTION B-B



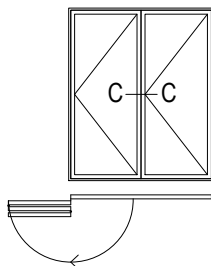
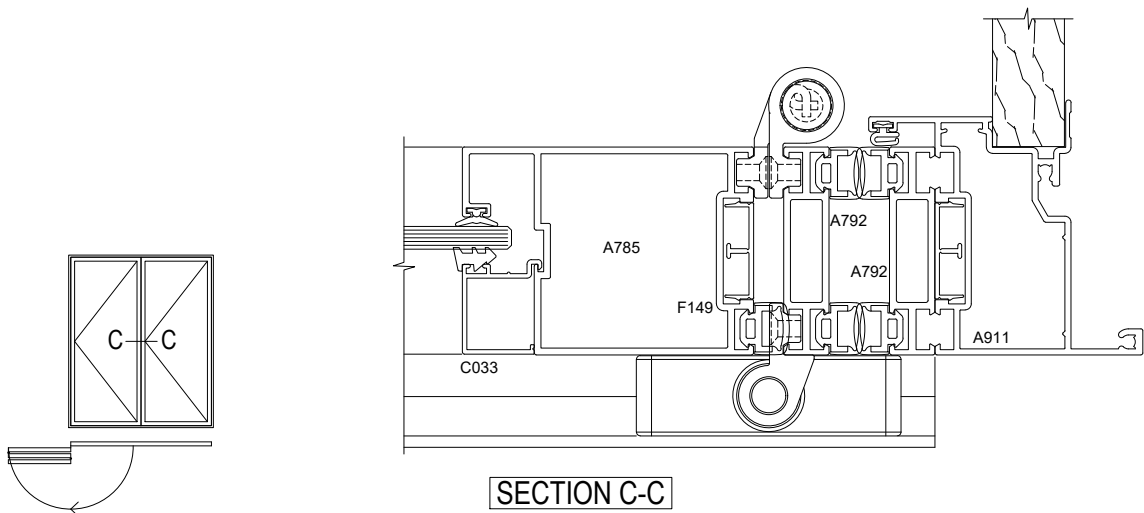
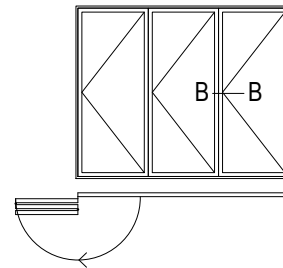
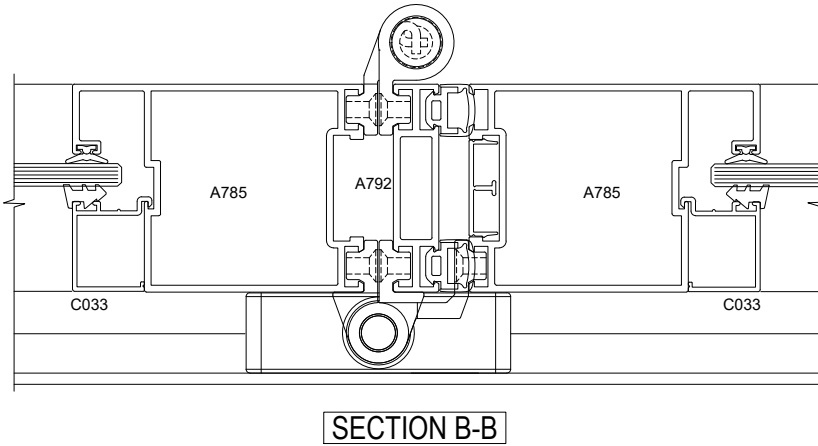
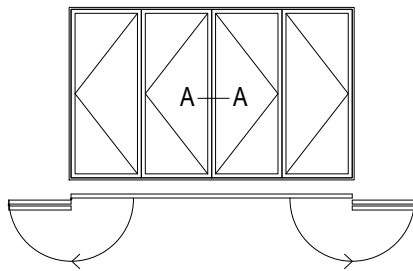
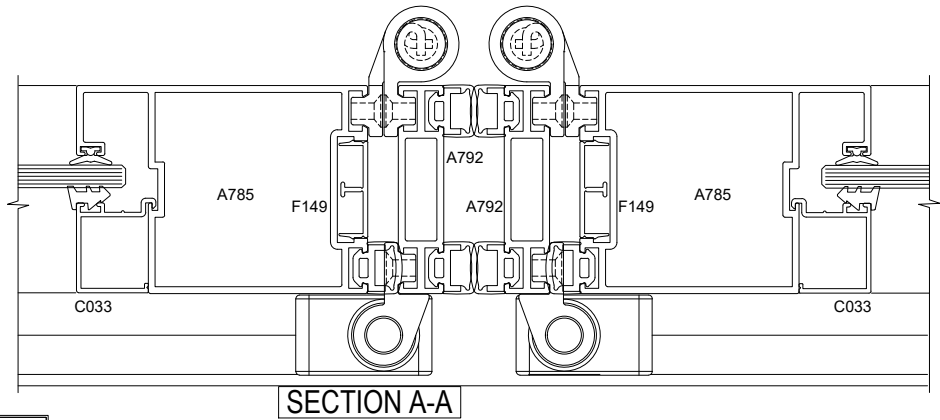
SECTION C-C

BOTTOM ROLLING BIFOLD DOOR

FAIRVIEW SYSTEMS LIMITED SPECIFIERS GUIDE 2014 © TECHNICAL SPECIFICATIONS & PROFILE DETAILS SUBJECT TO CHANGE WITHOUT NOTICE

ARCHITECTURAL LINEAR 40 - COMPLETE SUITE

DATE 12.06.2018	SCALE 1:2
REF. AL40.1043	



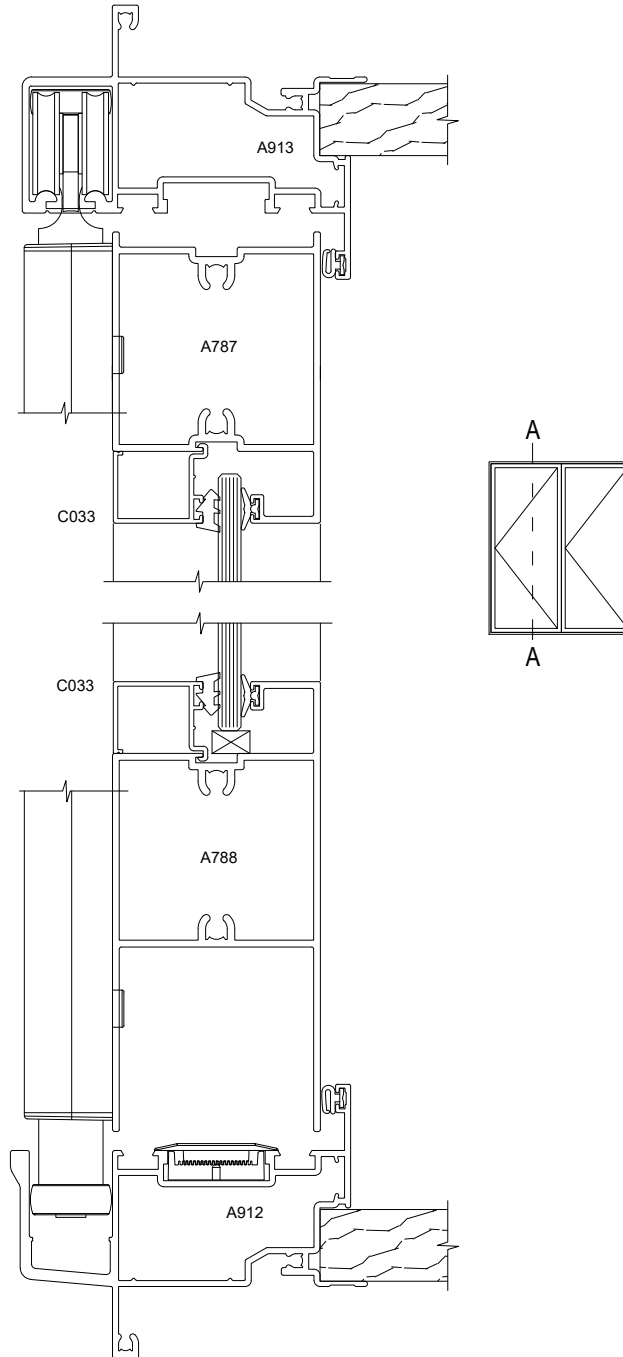
FREEFOLD

BOTTOM ROLLING BIFOLD DOOR

FAIRVIEW SYSTEMS LIMITED SPECIFIERS GUIDE 2014 © TECHNICAL SPECIFICATIONS & PROFILE DETAILS SUBJECT TO CHANGE WITHOUT NOTICE

ARCHITECTURAL LINEAR 40 - COMPLETE SUITE

DATE 12.06.2018	SCALE 1:2
REF. AL40.1044	



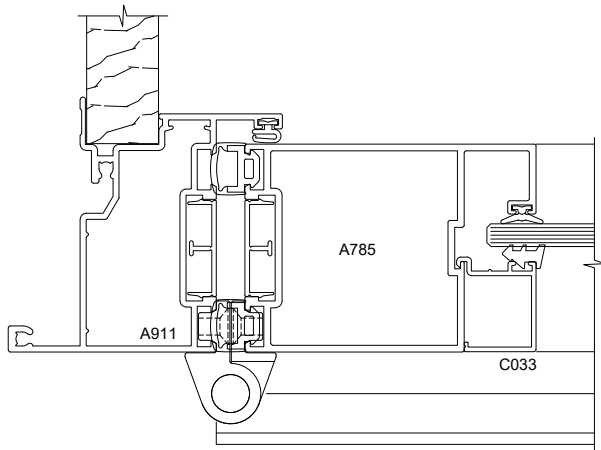
SECTION A-A

TOP HUNG CHANEL GUIDE BIFOLD DOOR

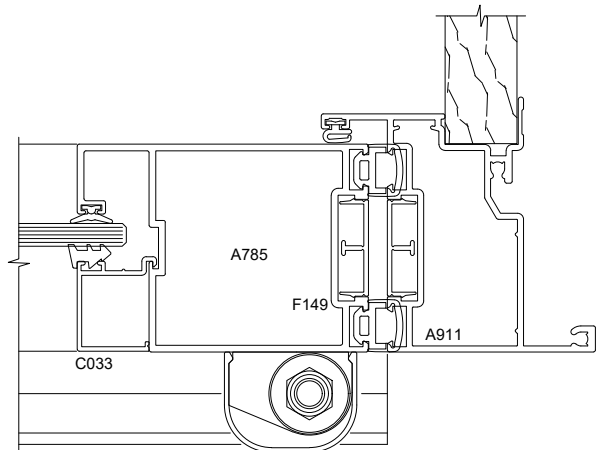
FAIRVIEW SYSTEMS LIMITED SPECIFIERS GUIDE 2014 © TECHNICAL SPECIFICATIONS & PROFILE DETAILS SUBJECT TO CHANGE WITHOUT NOTICE

ARCHITECTURAL LINEAR 40 - COMPLETE SUITE

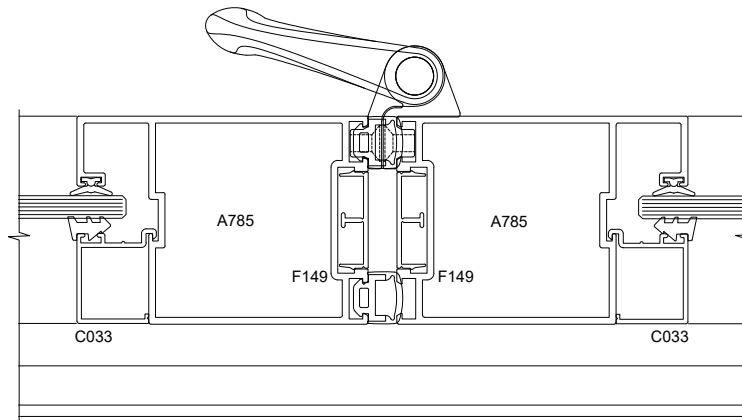
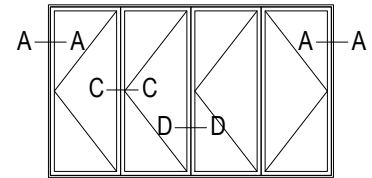
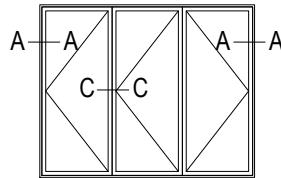
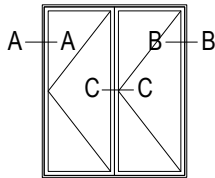
DATE 12.06.2018	SCALE 1:2
REF. AL40.1051	



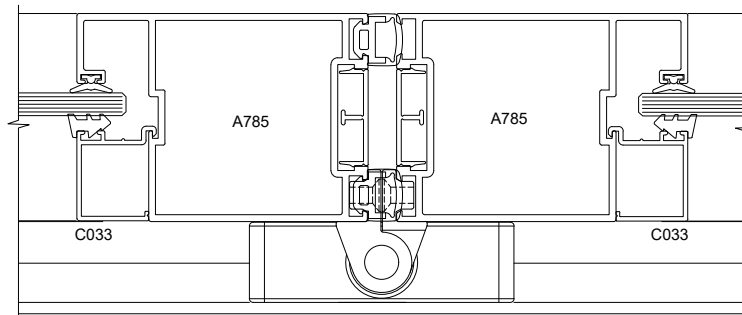
SECTION A-A



SECTION B-B



SECTION C-C



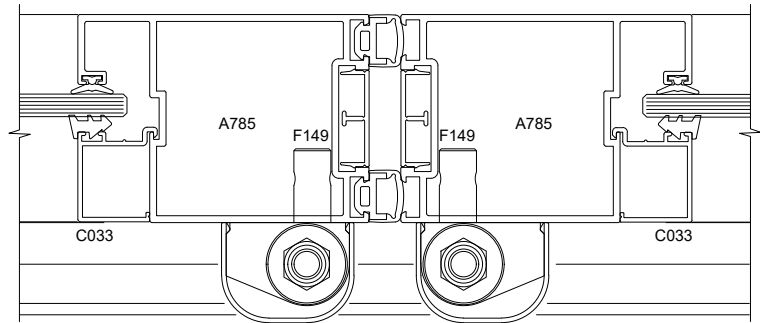
SECTION D-D

TOP HUNG CHANEL GUIDE BIFOLD DOOR

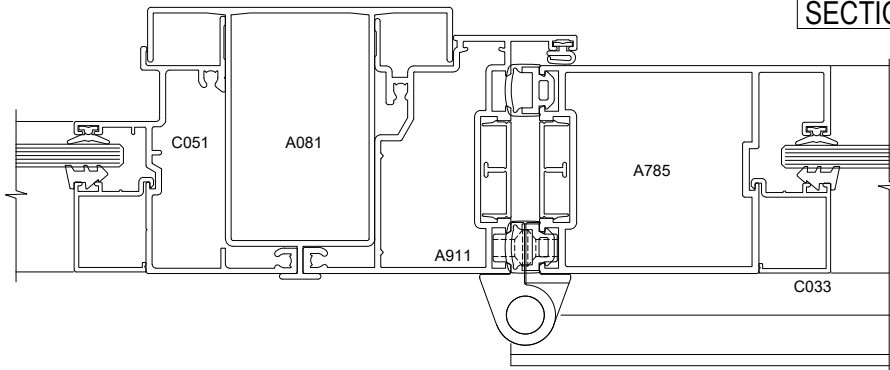
FAIRVIEW SYSTEMS LIMITED SPECIFIERS GUIDE 2014 © TECHNICAL SPECIFICATIONS & PROFILE DETAILS SUBJECT TO CHANGE WITHOUT NOTICE

ARCHITECTURAL LINEAR 40 - COMPLETE SUITE

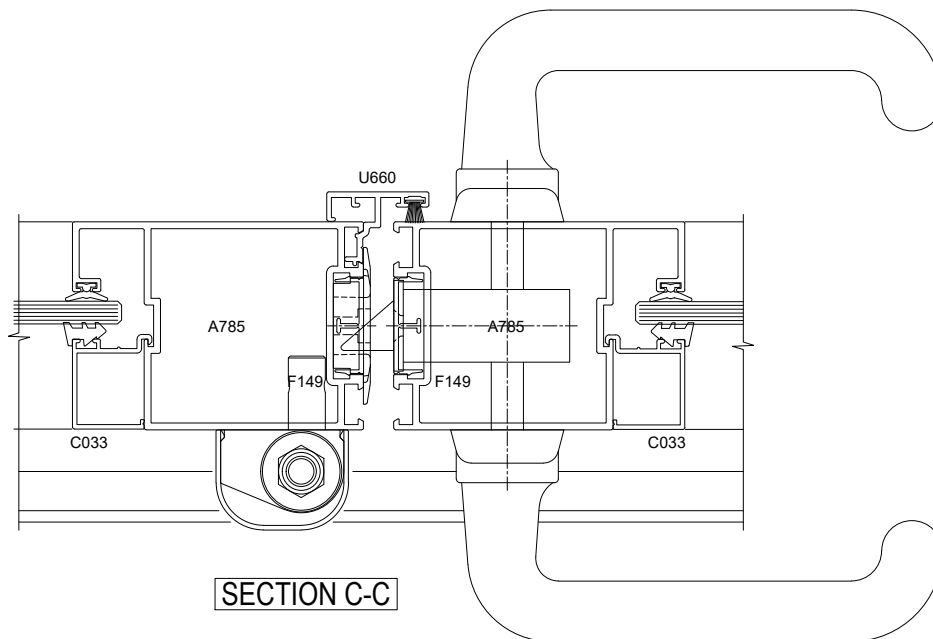
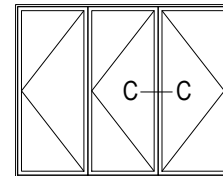
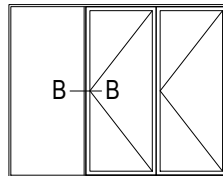
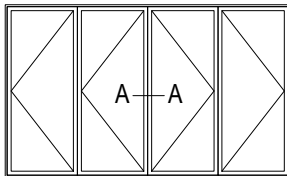
DATE 12.06.2018	SCALE 1:2
REF. AL40.1052	



SECTION A-A



SECTION B-B



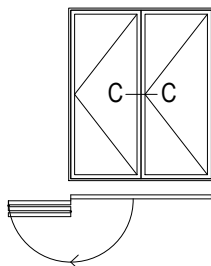
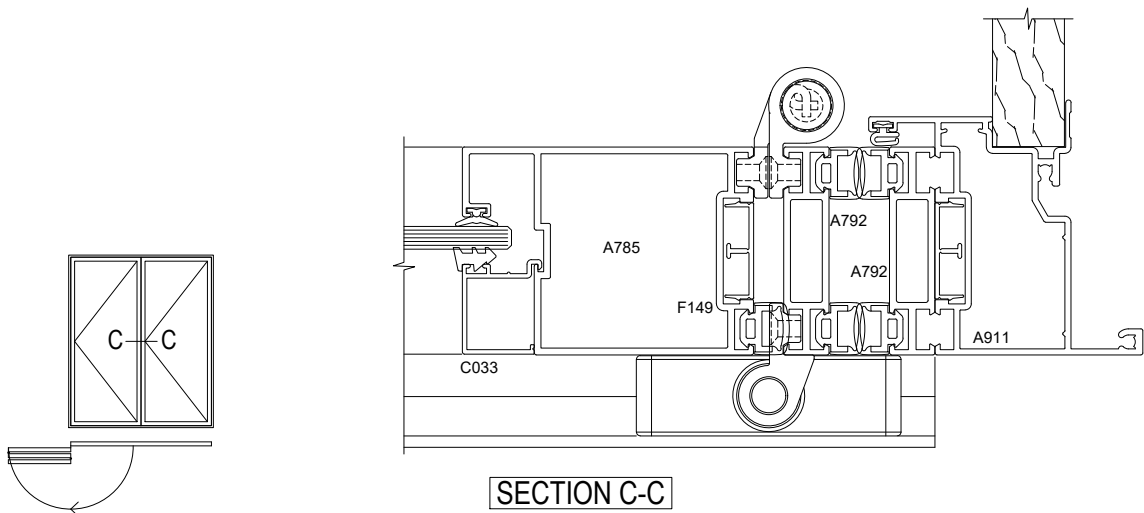
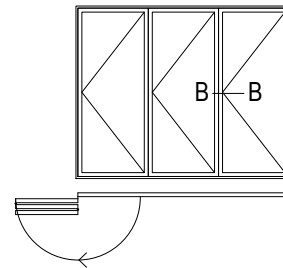
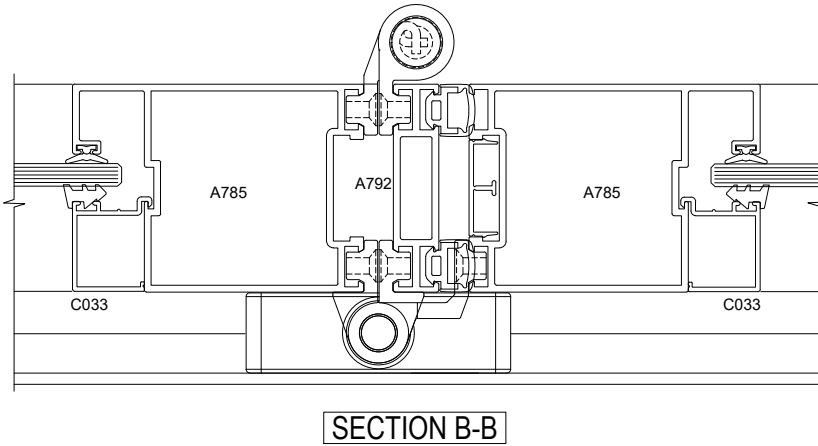
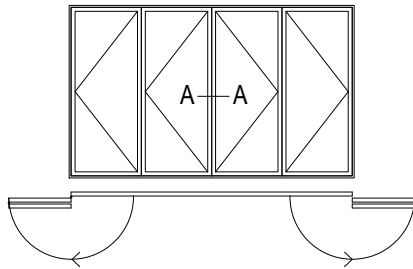
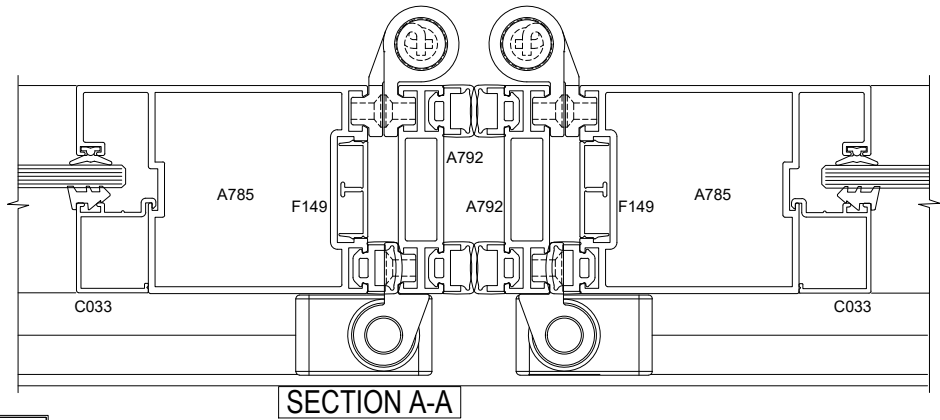
SECTION C-C

TOP HUNG CHANEL GUIDE BIFOLD DOOR

FAIRVIEW SYSTEMS LIMITED SPECIFIERS GUIDE 2014 © TECHNICAL SPECIFICATIONS & PROFILE DETAILS SUBJECT TO CHANGE WITHOUT NOTICE

ARCHITECTURAL LINEAR 40 - COMPLETE SUITE

DATE 12.06.2018	SCALE 1:2
REF. AL40.1053	



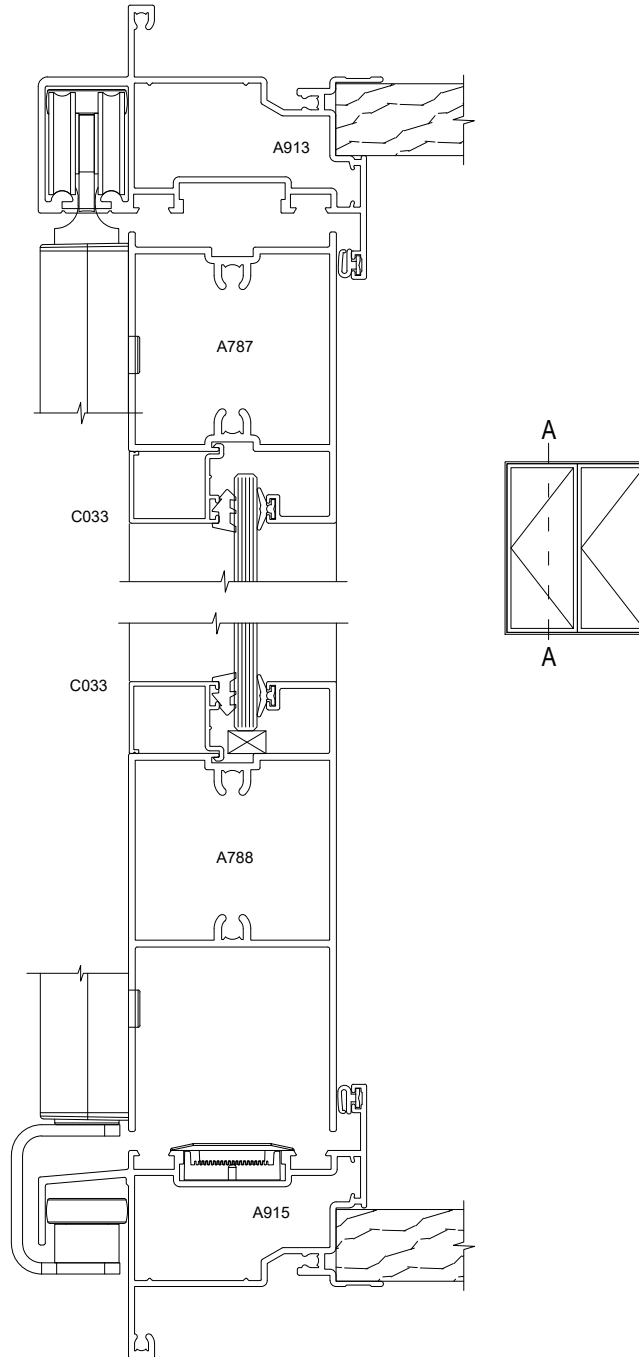
FREEFOLD

TOP HUNG CHANEL GUIDE BIFOLD DOOR

FAIRVIEW SYSTEMS LIMITED SPECIFIERS GUIDE 2014 © TECHNICAL SPECIFICATIONS & PROFILE DETAILS SUBJECT TO CHANGE WITHOUT NOTICE

ARCHITECTURAL LINEAR 40 - COMPLETE SUITE

DATE 12.06.2018	SCALE 1:2
REF. AL40.1054	



SECTION A-A

TOP HUNG HOODED GUIDE BIFOLD DOOR

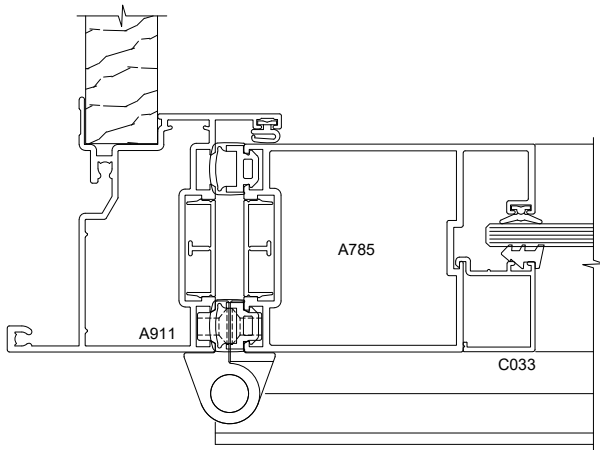
FAIRVIEW SYSTEMS LIMITED SPECIFIERS GUIDE 2014 © TECHNICAL SPECIFICATIONS & PROFILE DETAILS SUBJECT TO CHANGE WITHOUT NOTICE

ARCHITECTURAL LINEAR 40 - COMPLETE SUITE

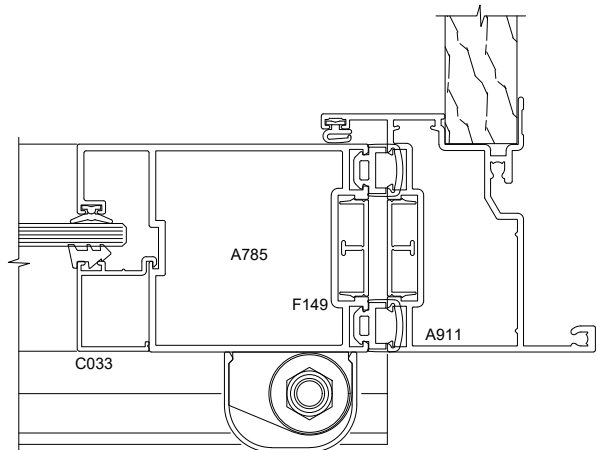
DATE
12.06.2018

SCALE
1:2

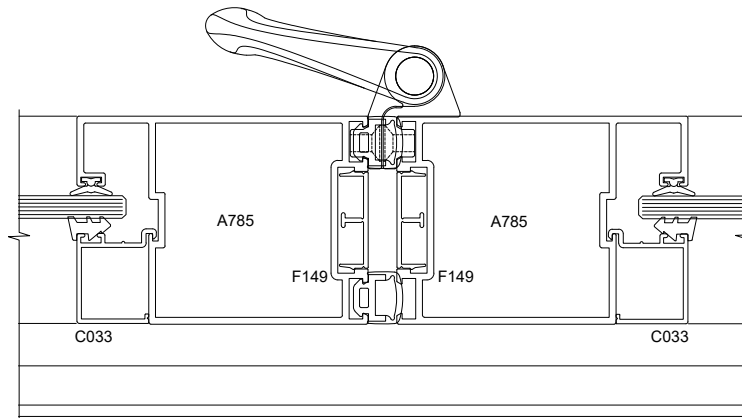
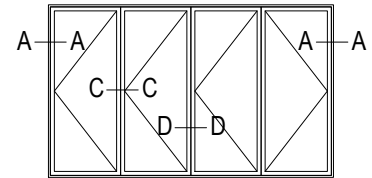
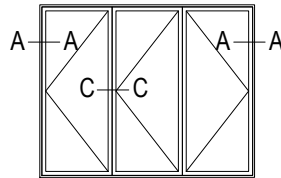
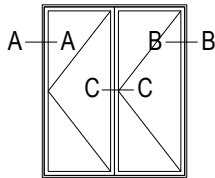
REF. AL40.1061



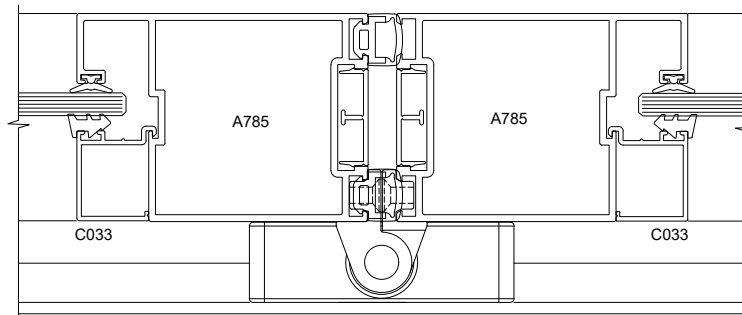
SECTION A-A



SECTION B-B



SECTION C-C



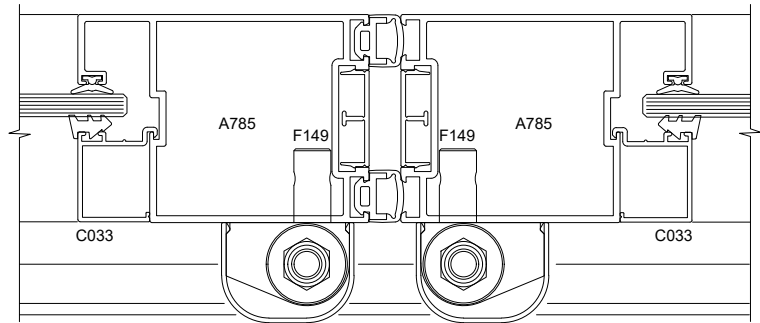
SECTION D-D

TOP HUNG HOODED GUIDE BIFOLD DOOR

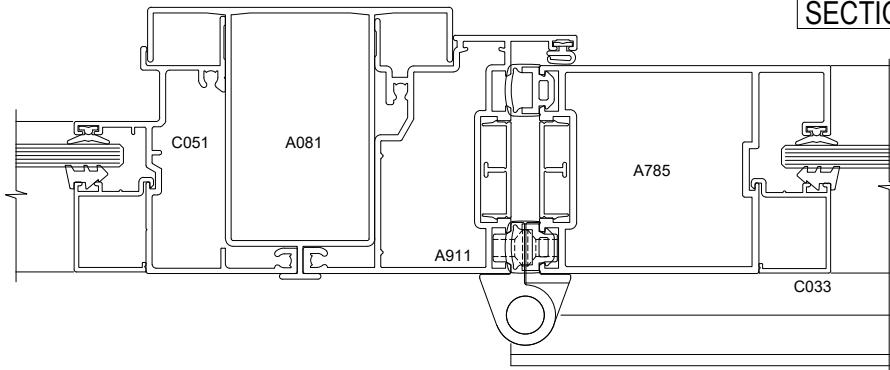
FAIRVIEW SYSTEMS LIMITED SPECIFIERS GUIDE 2014 © TECHNICAL SPECIFICATIONS & PROFILE DETAILS SUBJECT TO CHANGE WITHOUT NOTICE

ARCHITECTURAL LINEAR 40 - COMPLETE SUITE

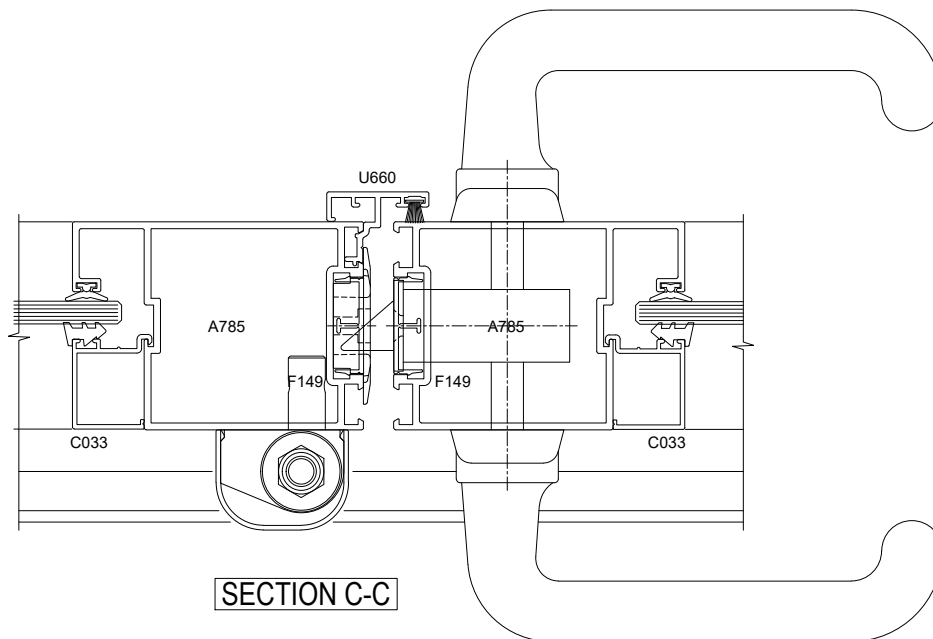
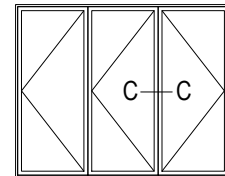
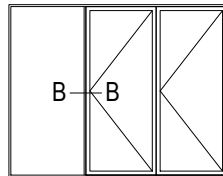
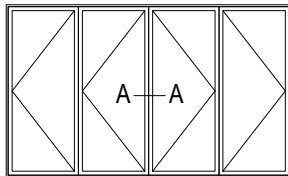
DATE 12.06.2018	SCALE 1:2
REF. AL40.1062	



SECTION A-A



SECTION B-B



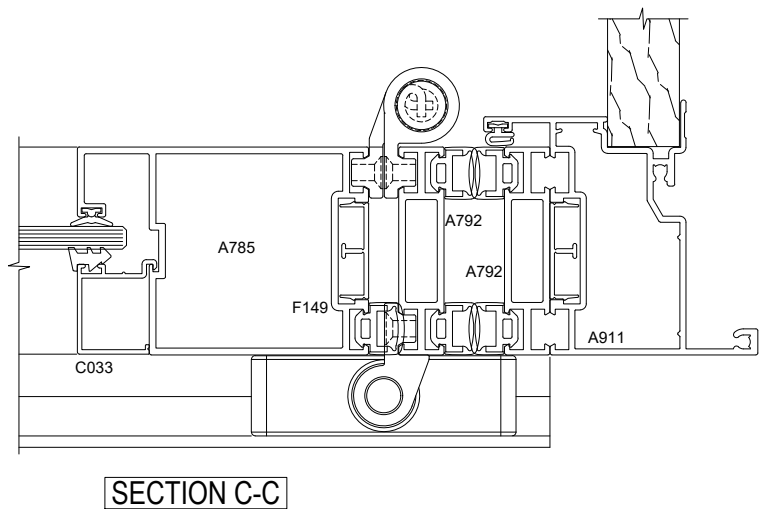
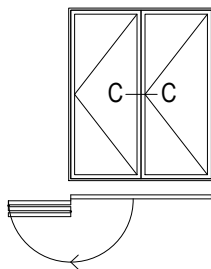
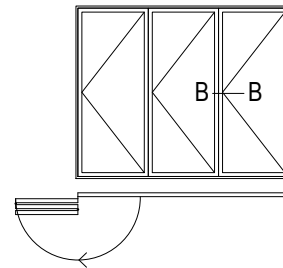
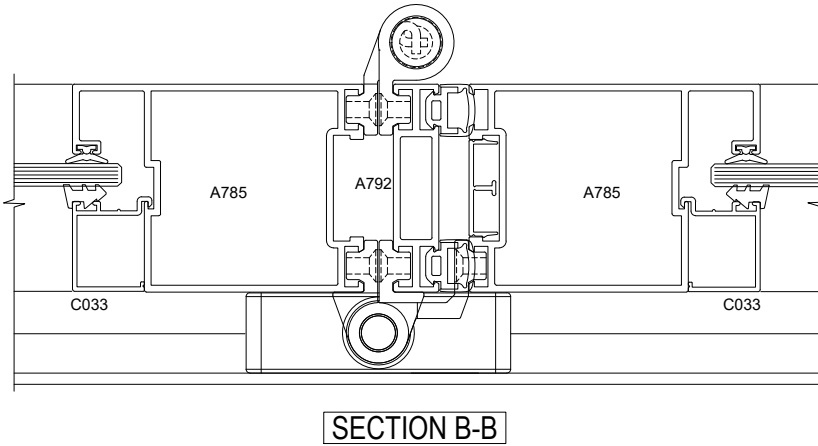
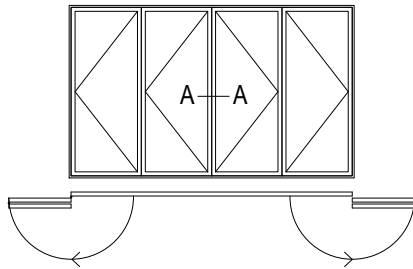
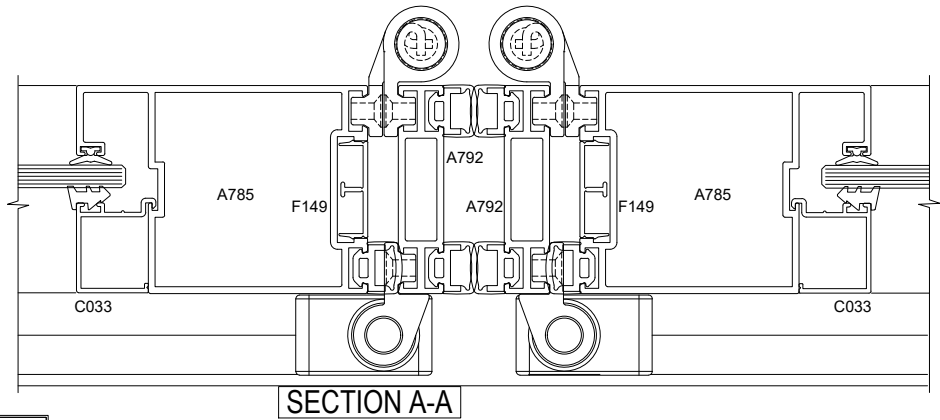
SECTION C-C

TOP HUNG HOODED GUIDE BIFOLD DOOR

FAIRVIEW SYSTEMS LIMITED SPECIFIERS GUIDE 2014 © TECHNICAL SPECIFICATIONS & PROFILE DETAILS SUBJECT TO CHANGE WITHOUT NOTICE

ARCHITECTURAL LINEAR 40 - COMPLETE SUITE

DATE 12.06.2018	SCALE 1:2
REF. AL40.1063	



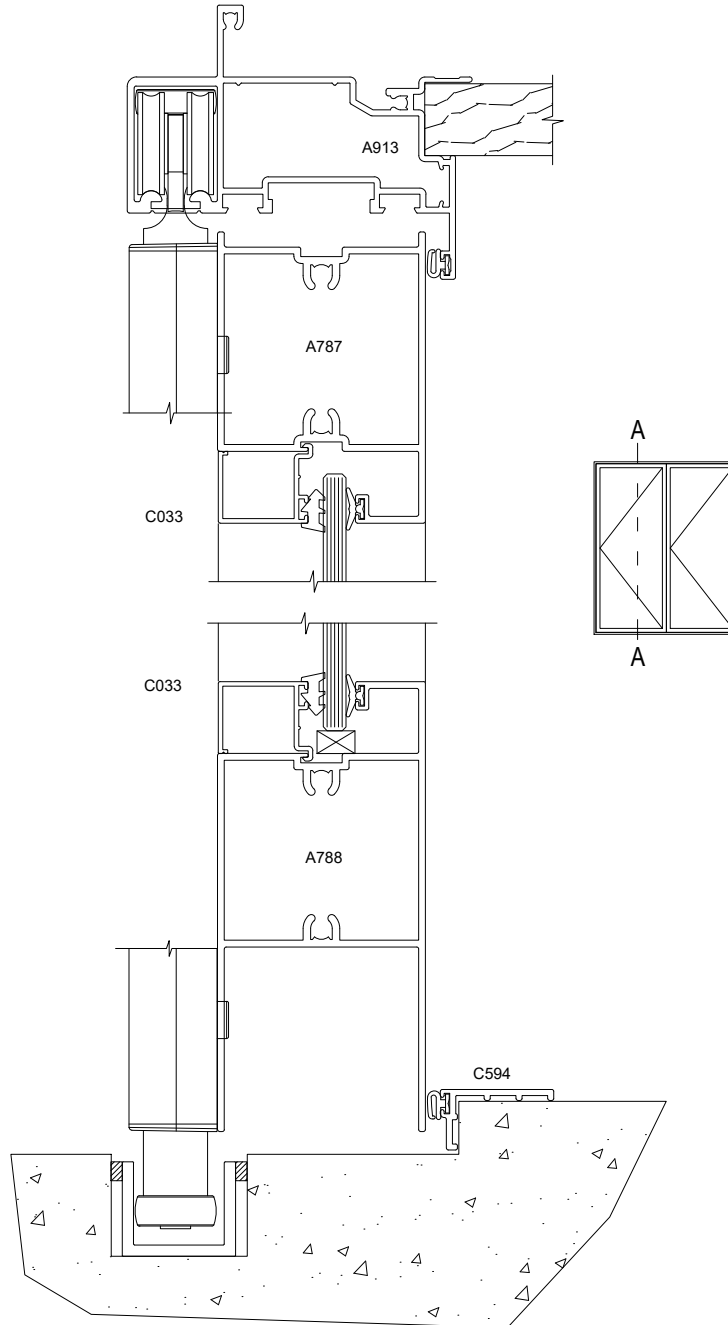
FREEFOLD

TOP HUNG HOODED GUIDE BIFOLD DOOR

FAIRVIEW SYSTEMS LIMITED SPECIFIERS GUIDE 2014 © TECHNICAL SPECIFICATIONS & PROFILE DETAILS SUBJECT TO CHANGE WITHOUT NOTICE

ARCHITECTURAL LINEAR 40 - COMPLETE SUITE

DATE 12.06.2018	SCALE 1:2
REF. AL40.1064	



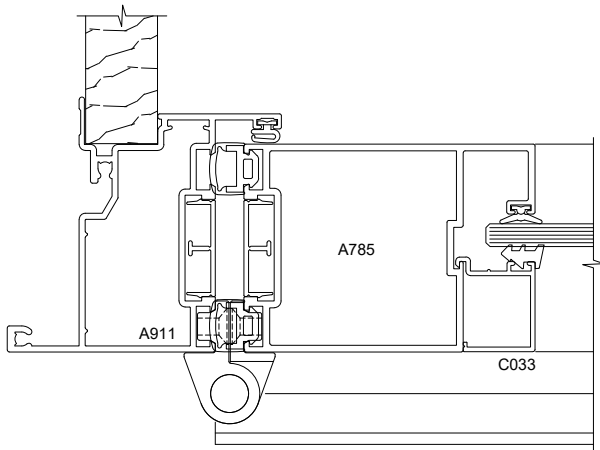
SECTION A-A

TOP HUNG NON-WEATHERED GUIDE BIFOLD DOOR

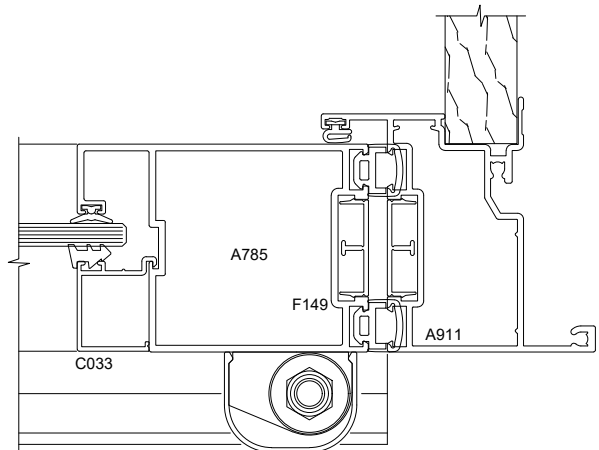
FAIRVIEW SYSTEMS LIMITED SPECIFIERS GUIDE 2014 © TECHNICAL SPECIFICATIONS & PROFILE DETAILS SUBJECT TO CHANGE WITHOUT NOTICE

ARCHITECTURAL LINEAR 40 - COMPLETE SUITE

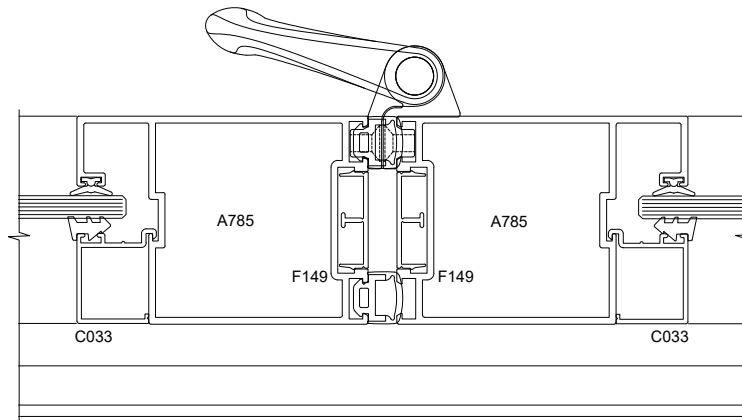
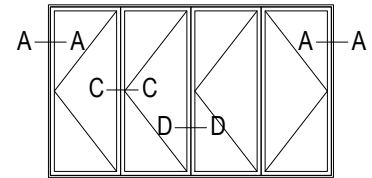
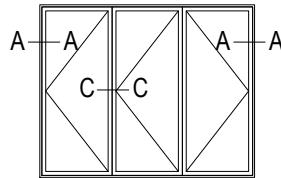
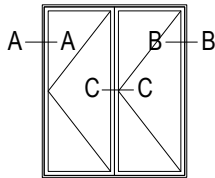
DATE 12.06.2018	SCALE 1:2
REF. AL40.1071	



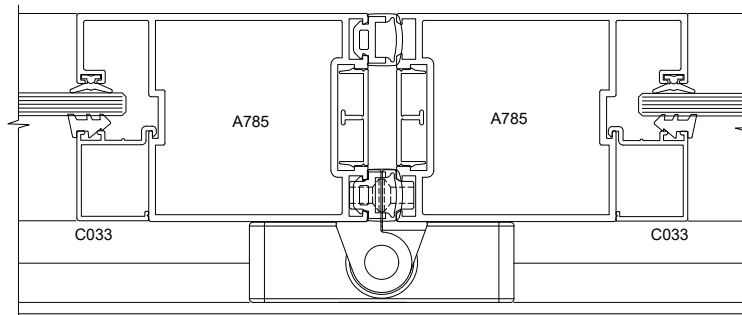
SECTION A-A



SECTION B-B



SECTION C-C



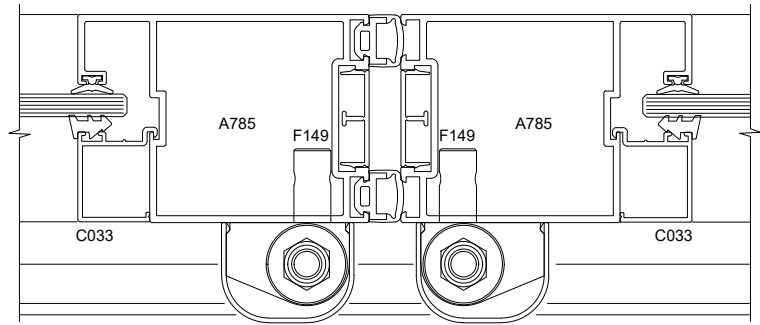
SECTION D-D

TOP HUNG NON-WEATHERED GUIDE BIFOLD DOOR

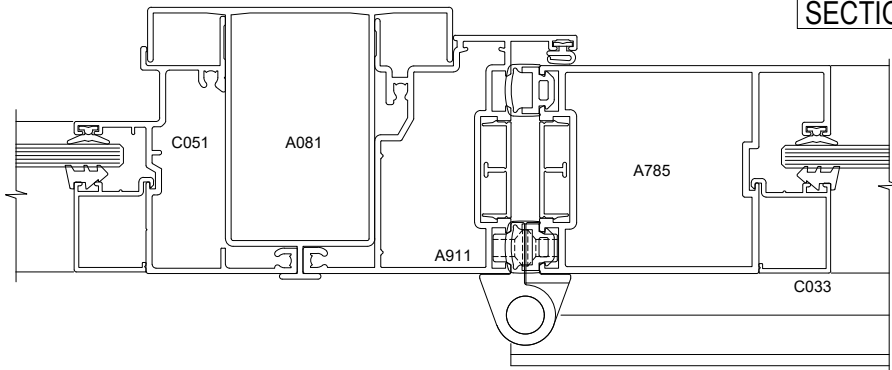
FAIRVIEW SYSTEMS LIMITED SPECIFIERS GUIDE 2014 © TECHNICAL SPECIFICATIONS & PROFILE DETAILS SUBJECT TO CHANGE WITHOUT NOTICE

ARCHITECTURAL LINEAR 40 - COMPLETE SUITE

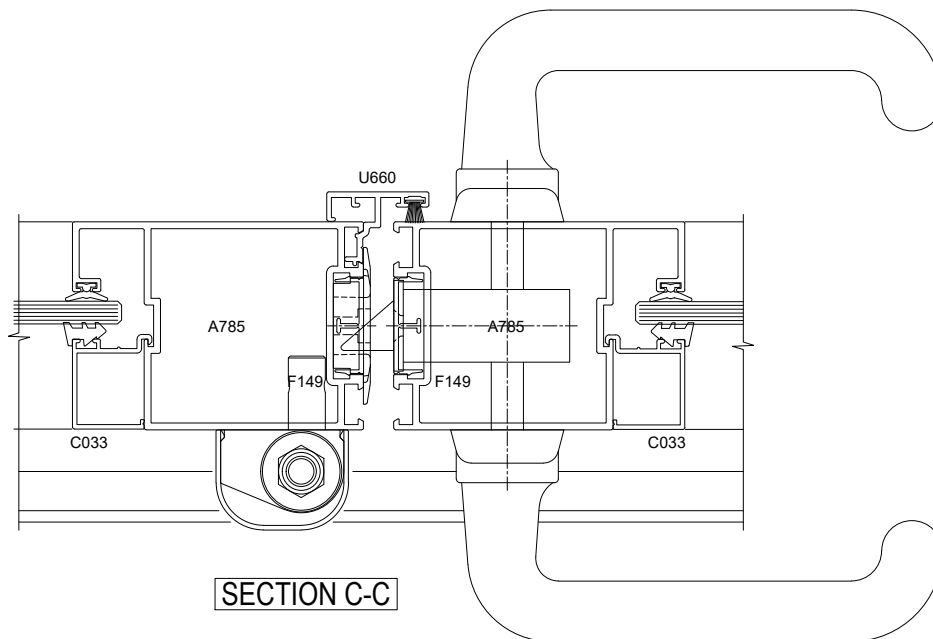
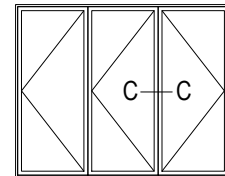
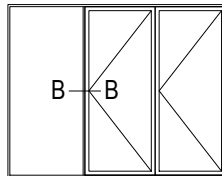
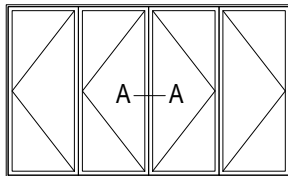
DATE 12.06.2018	SCALE 1:2
REF. AL40.1072	



SECTION A-A



SECTION B-B



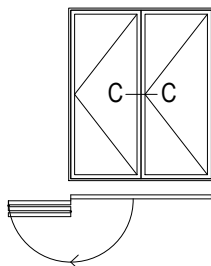
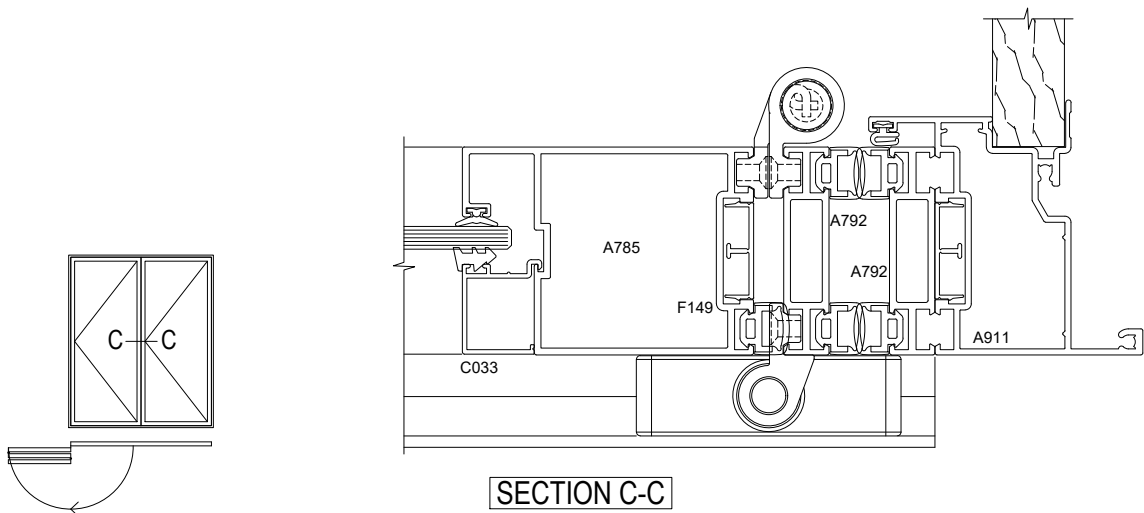
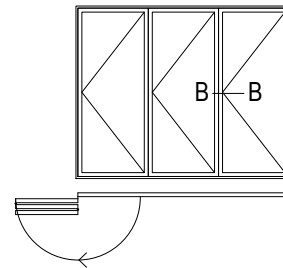
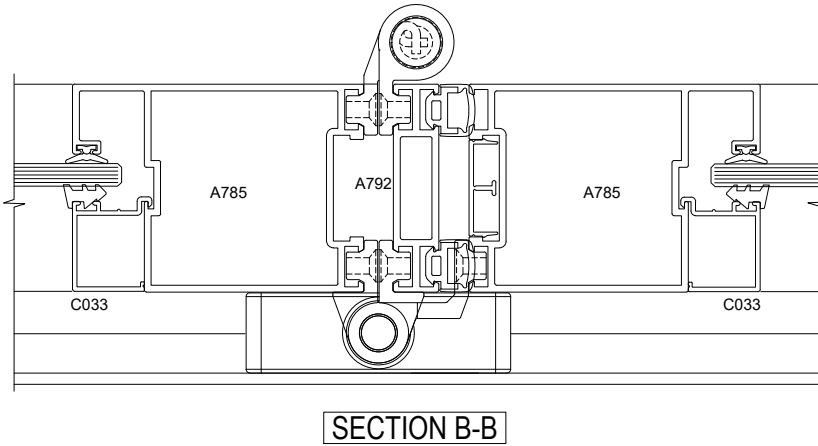
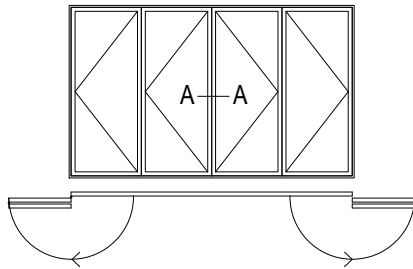
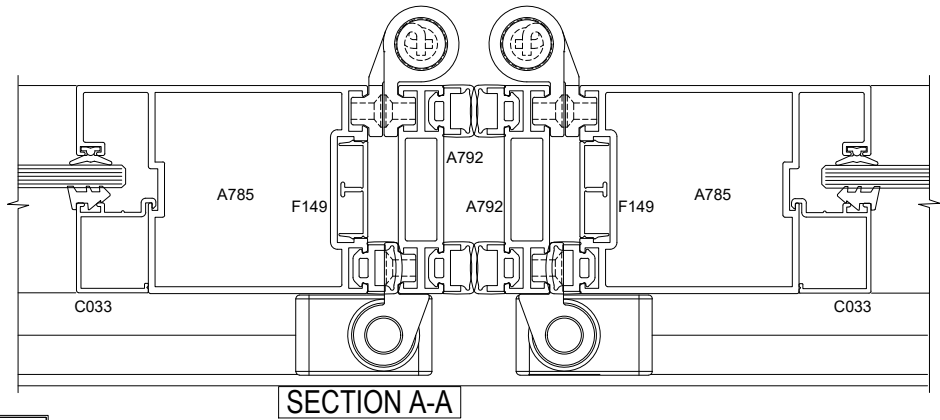
SECTION C-C

TOP HUNG NON-WEATHERED GUIDE BIFOLD DOOR

FAIRVIEW SYSTEMS LIMITED SPECIFIERS GUIDE 2014 © TECHNICAL SPECIFICATIONS & PROFILE DETAILS SUBJECT TO CHANGE WITHOUT NOTICE

ARCHITECTURAL LINEAR 40 - COMPLETE SUITE

DATE 12.06.2018	SCALE 1:2
REF. AL40.1073	



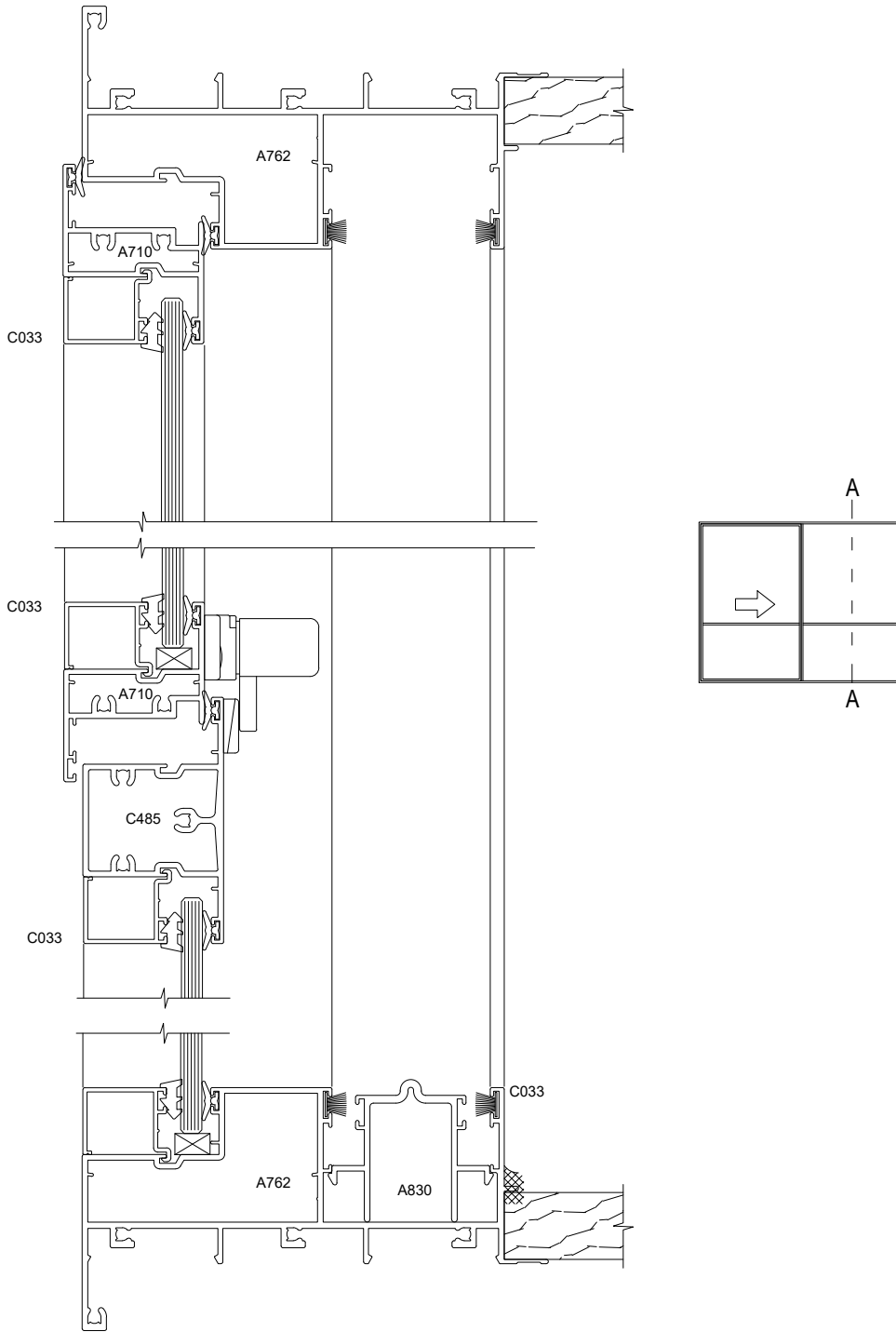
FREEFOLD

TOP HUNG NON-WEATHERED GUIDE BIFOLD DOOR

FAIRVIEW SYSTEMS LIMITED SPECIFIERS GUIDE 2014 © TECHNICAL SPECIFICATIONS & PROFILE DETAILS SUBJECT TO CHANGE WITHOUT NOTICE

ARCHITECTURAL LINEAR 40 - COMPLETE SUITE

DATE 12.06.2018	SCALE 1:2
REF. AL40.1074	



SECTION A-A

SLIDING DOOR

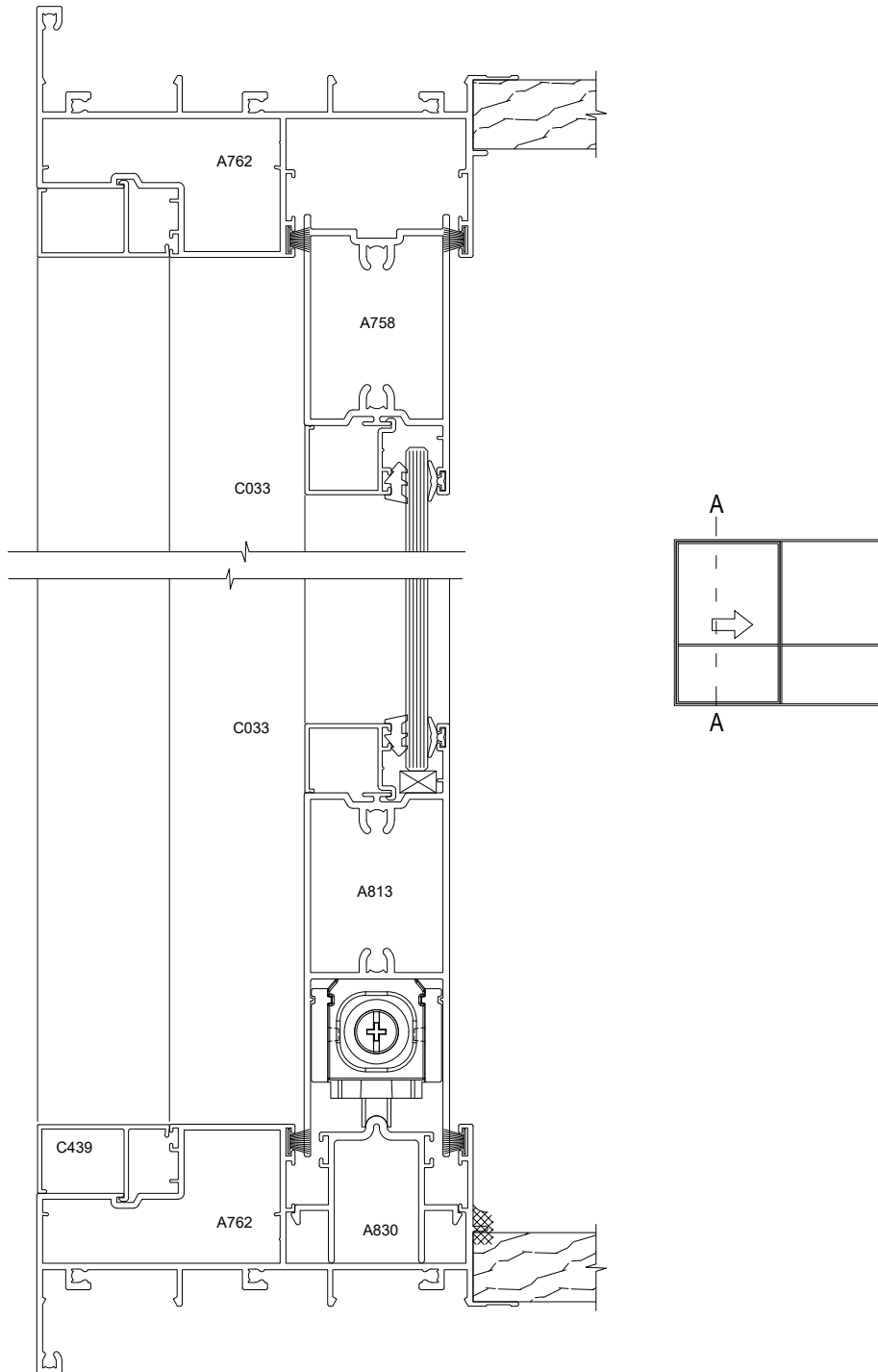
FAIRVIEW SYSTEMS LIMITED SPECIFIERS GUIDE 2014 © TECHNICAL SPECIFICATIONS & PROFILE DETAILS SUBJECT TO CHANGE WITHOUT NOTICE

ARCHITECTURAL LINEAR 40 - COMPLETE SUITE

DATE
12.06.2018

SCALE
1:2

REF. AL40.1081



SECTION A-A

SLIDING DOOR

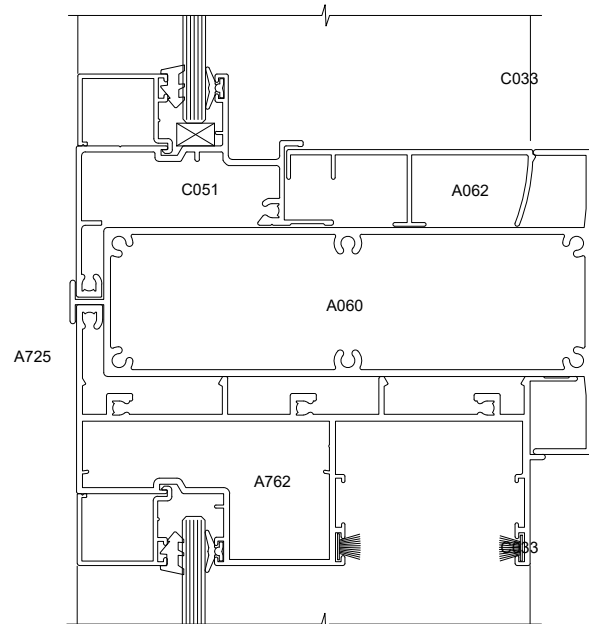
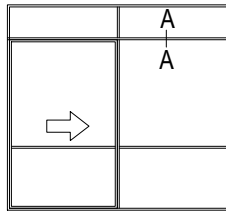
FAIRVIEW SYSTEMS LIMITED SPECIFIERS GUIDE 2014 © TECHNICAL SPECIFICATIONS & PROFILE DETAILS SUBJECT TO CHANGE WITHOUT NOTICE

ARCHITECTURAL LINEAR 40 - COMPLETE SUITE

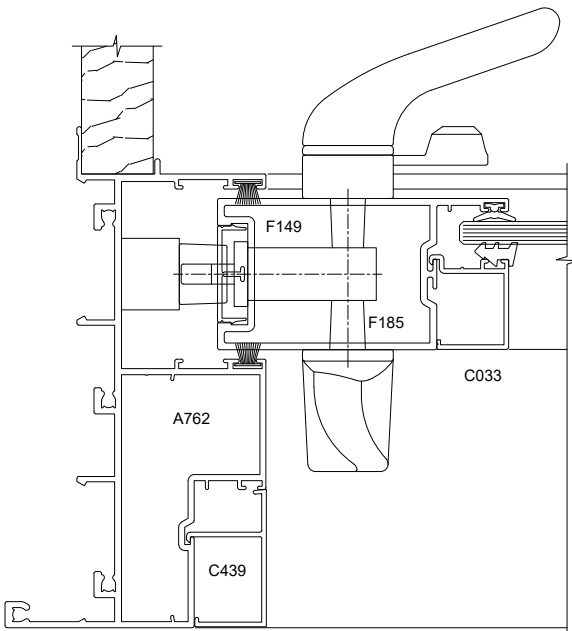
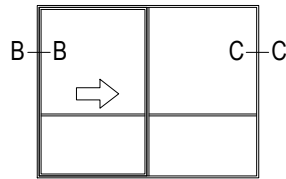
DATE
12.06.2018

SCALE
1:2

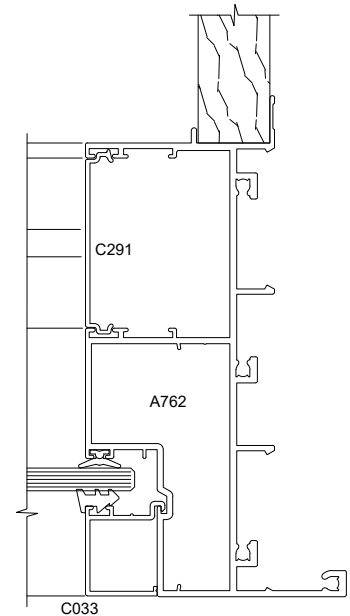
REF. AL40.1082



SECTION A-A



SECTION B-B



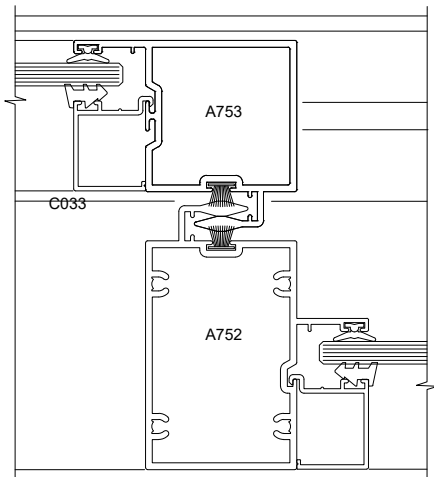
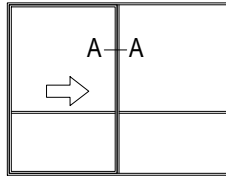
SECTION C-C

SLIDING DOOR

FAIRVIEW SYSTEMS LIMITED SPECIFIERS GUIDE 2014 © TECHNICAL SPECIFICATIONS & PROFILE DETAILS SUBJECT TO CHANGE WITHOUT NOTICE

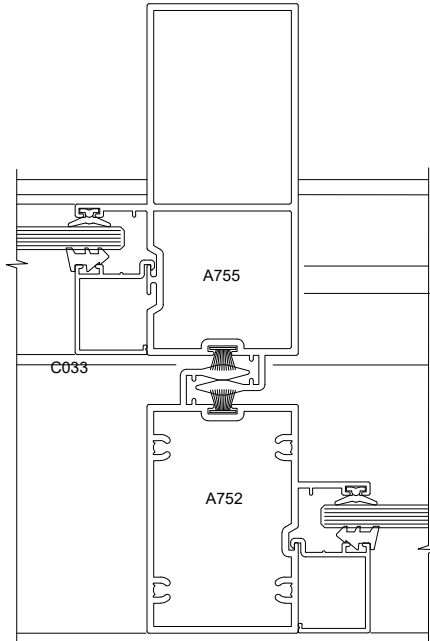
ARCHITECTURAL LINEAR 40 - COMPLETE SUITE

DATE 12.06.2018	SCALE 1:2
REF. AL40.1083	



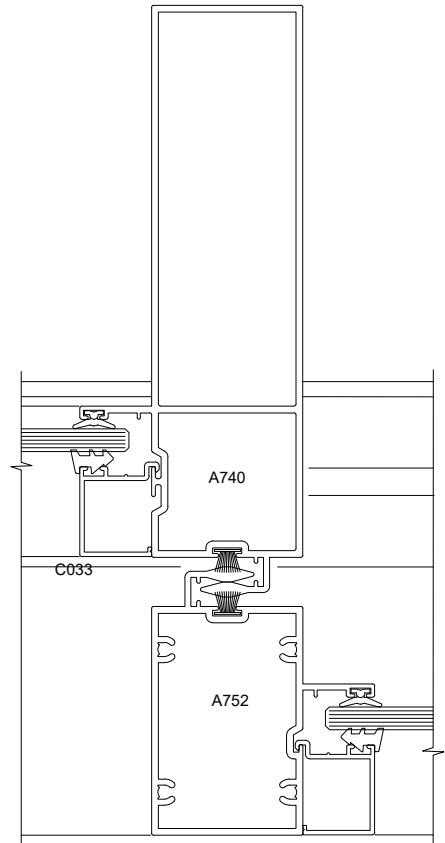
C033

SECTION A-A



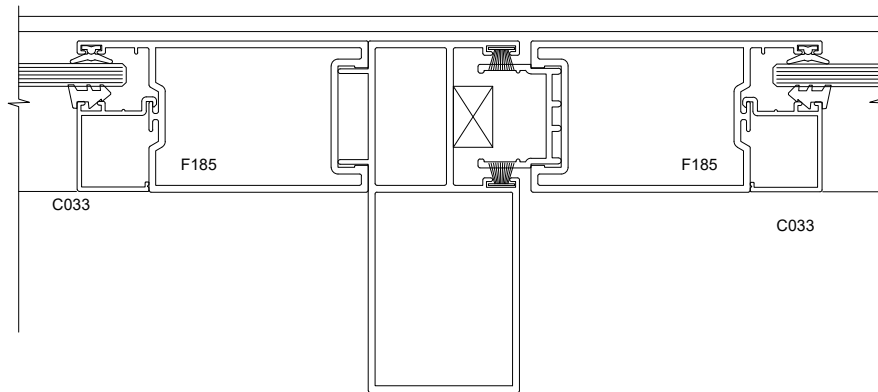
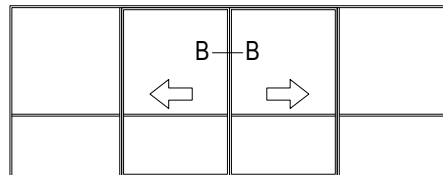
C033

SECTION A-A



C033

SECTION A-A



SECTION B-B

SLIDING DOOR

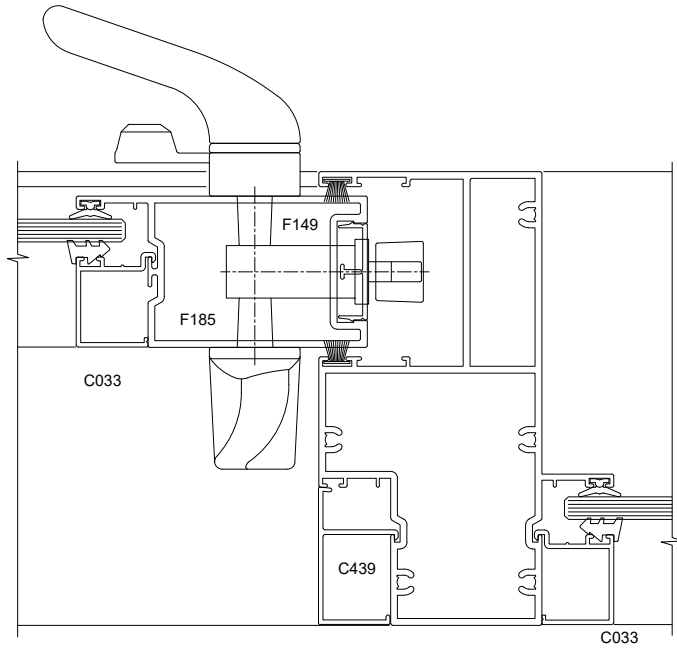
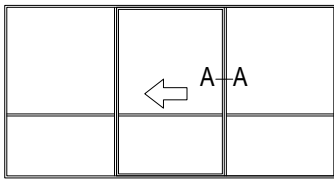
FAIRVIEW SYSTEMS LIMITED SPECIFIERS GUIDE 2014 © TECHNICAL SPECIFICATIONS & PROFILE DETAILS SUBJECT TO CHANGE WITHOUT NOTICE

ARCHITECTURAL LINEAR 40 - COMPLETE SUITE

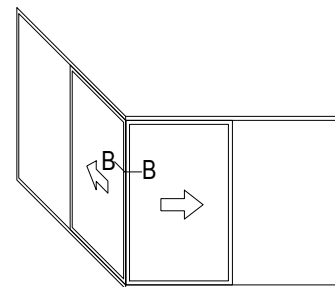
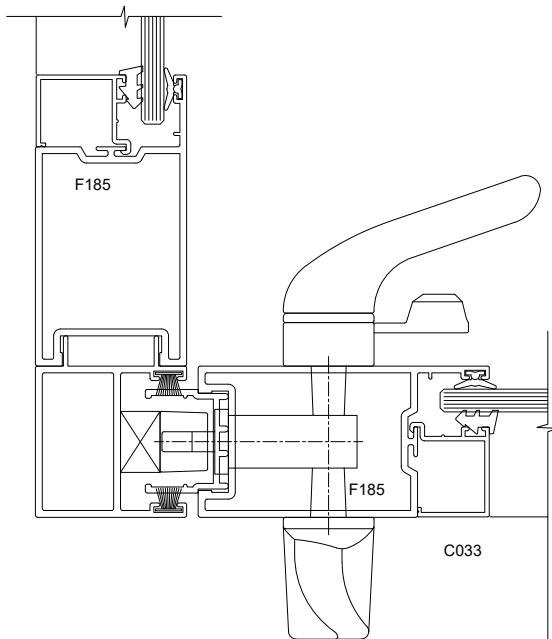
DATE
12.06.2018

SCALE
1:2

REF. AL40.1084



SECTION A-A



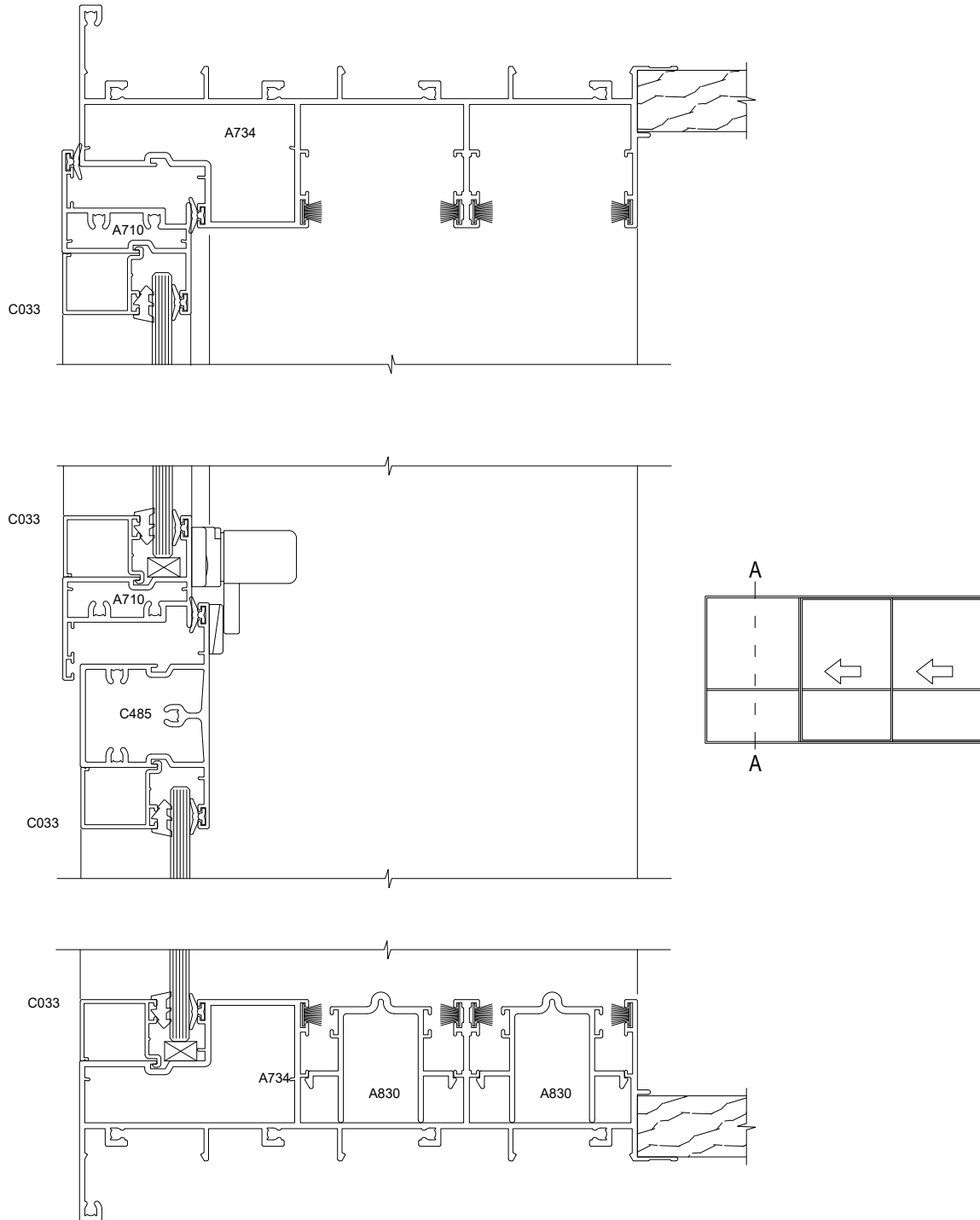
SECTION B-B

SLIDING DOOR

FAIRVIEW SYSTEMS LIMITED SPECIFIERS GUIDE 2014 © TECHNICAL SPECIFICATIONS & PROFILE DETAILS SUBJECT TO CHANGE WITHOUT NOTICE

ARCHITECTURAL LINEAR 40 - COMPLETE SUITE

DATE 12.06.2018	SCALE 1:2
REF. AL40.1085	



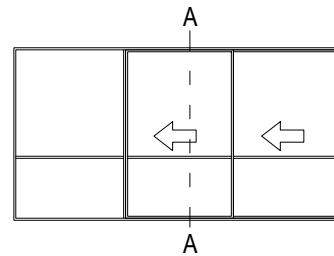
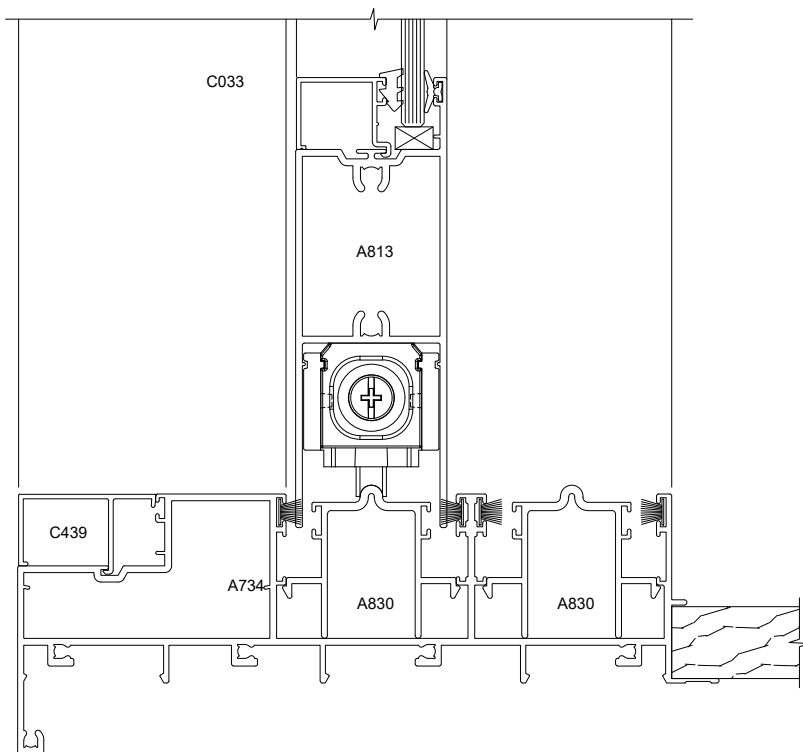
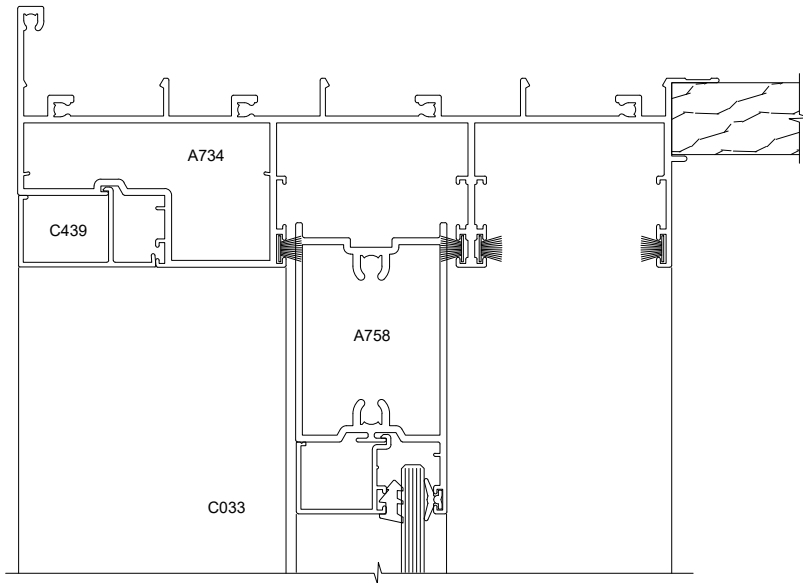
SECTION A-A

STACKING DOOR

FAIRVIEW SYSTEMS LIMITED SPECIFIERS GUIDE 2014 © TECHNICAL SPECIFICATIONS & PROFILE DETAILS SUBJECT TO CHANGE WITHOUT NOTICE

ARCHITECTURAL LINEAR 40 - COMPLETE SUITE

DATE 12.06.2018	SCALE 1:2
REF. AL40.1091	



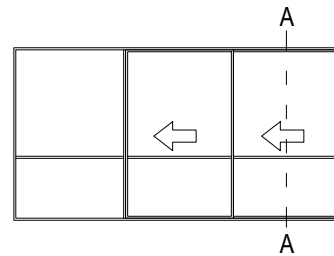
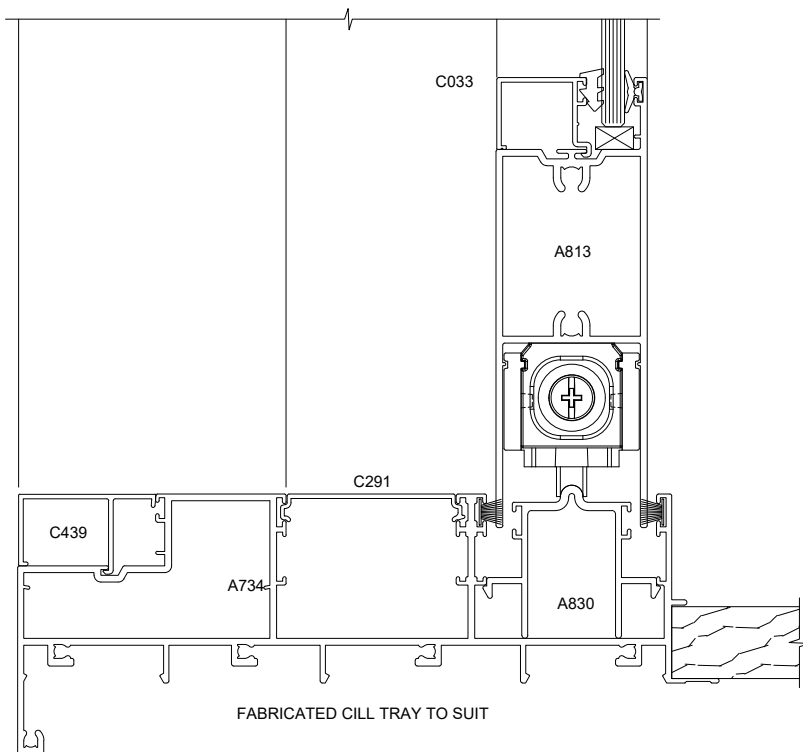
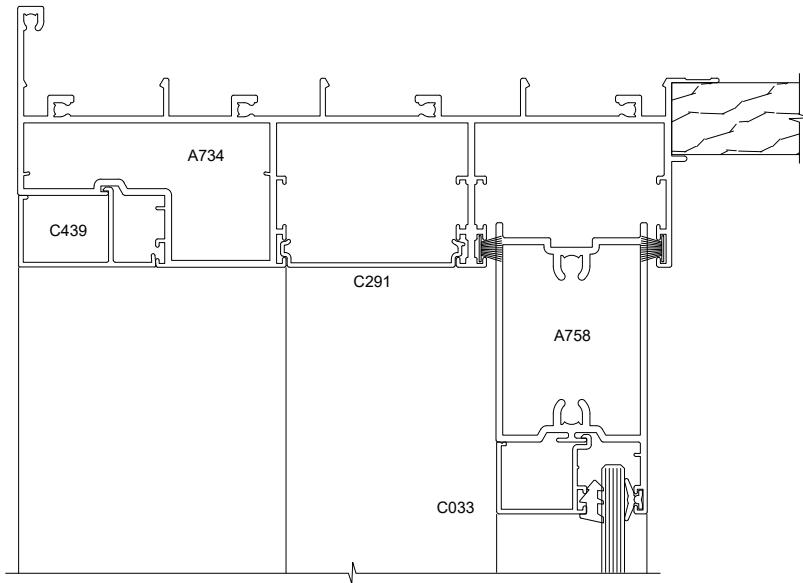
SECTION A-A

STACKING DOOR

FAIRVIEW SYSTEMS LIMITED SPECIFIERS GUIDE 2014 © TECHNICAL SPECIFICATIONS & PROFILE DETAILS SUBJECT TO CHANGE WITHOUT NOTICE

ARCHITECTURAL LINEAR 40 - COMPLETE SUITE

DATE 12.06.2018	SCALE 1:2
REF. AL40.1092	



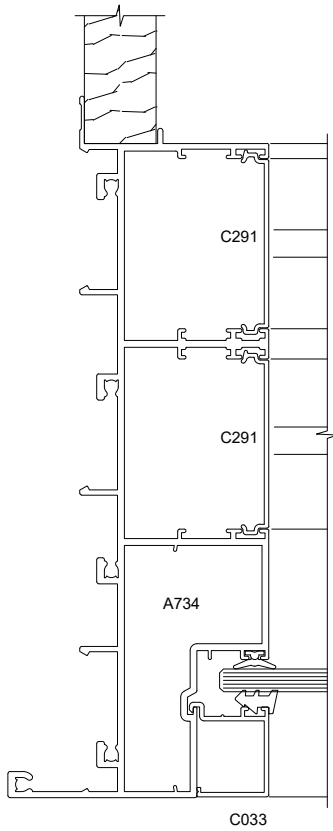
SECTION A-A

STACKING DOOR

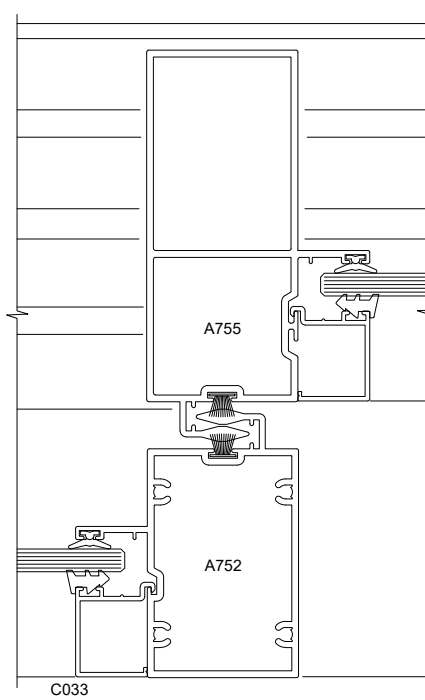
FAIRVIEW SYSTEMS LIMITED SPECIFIERS GUIDE 2014 © TECHNICAL SPECIFICATIONS & PROFILE DETAILS SUBJECT TO CHANGE WITHOUT NOTICE

ARCHITECTURAL LINEAR 40 - COMPLETE SUITE

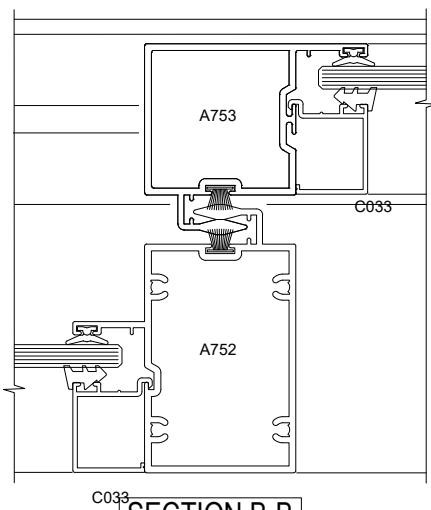
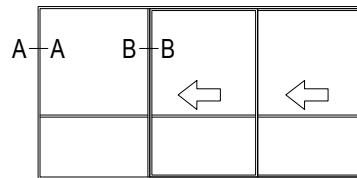
DATE 12.06.2018	SCALE 1:2
REF. AL40.1093	



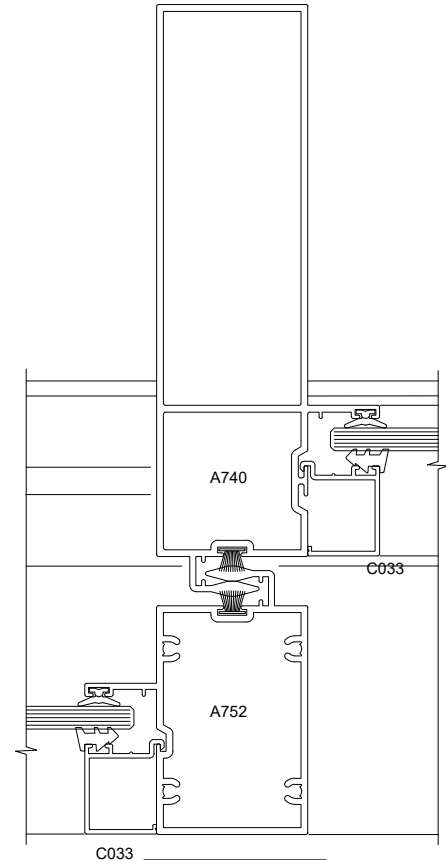
SECTION A-A



SECTION B-B



SECTION B-B



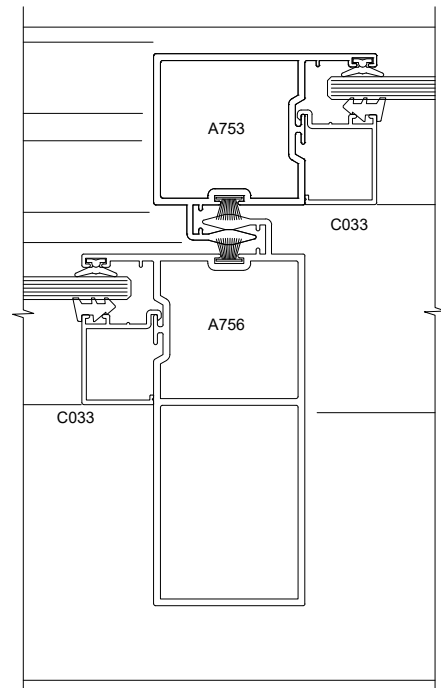
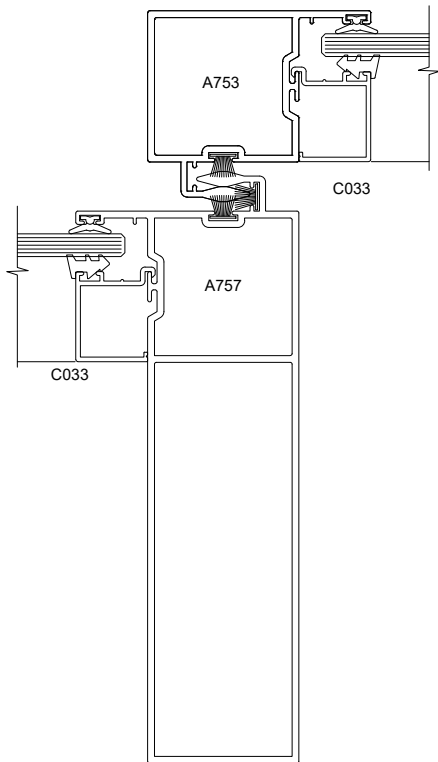
SECTION B-B

STACKING DOOR

FAIRVIEW SYSTEMS LIMITED SPECIFIERS GUIDE 2014 © TECHNICAL SPECIFICATIONS & PROFILE DETAILS SUBJECT TO CHANGE WITHOUT NOTICE

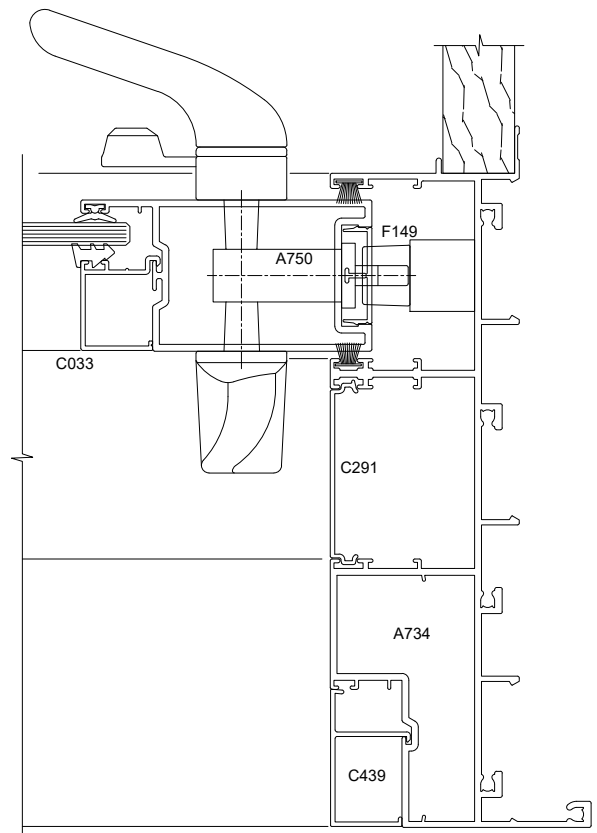
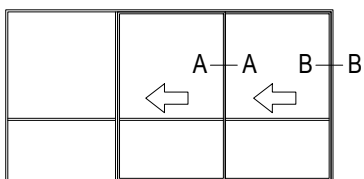
ARCHITECTURAL LINEAR 40 - COMPLETE SUITE

DATE 12.06.2018	SCALE 1:2
REF. AL40.1094	



SECTION A-A

SECTION A-A



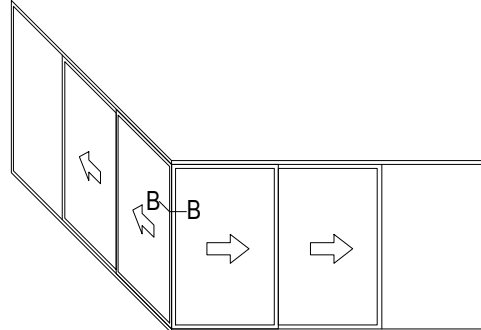
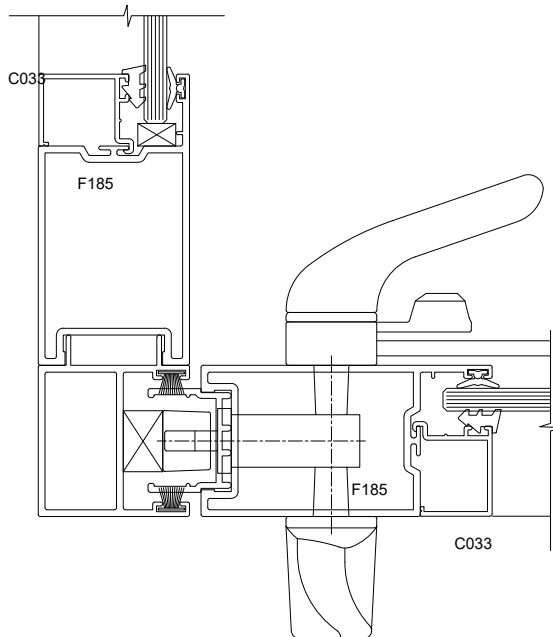
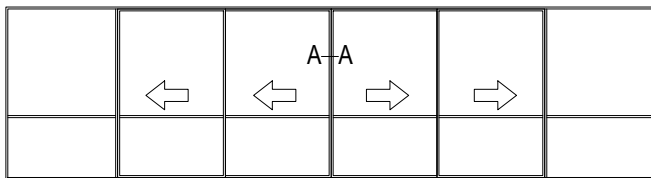
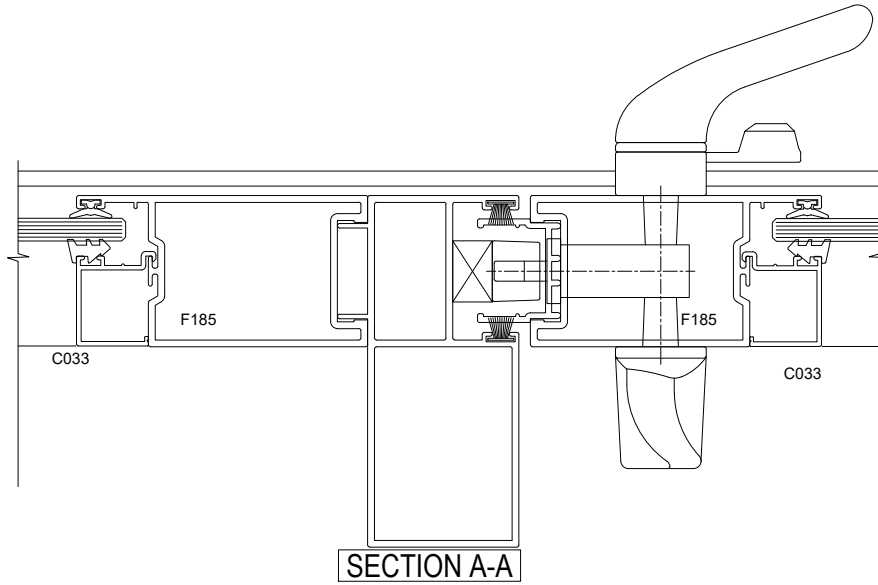
SECTION B-B

STACKING DOOR

FAIRVIEW SYSTEMS LIMITED SPECIFIERS GUIDE 2014 © TECHNICAL SPECIFICATIONS & PROFILE DETAILS SUBJECT TO CHANGE WITHOUT NOTICE

ARCHITECTURAL LINEAR 40 - COMPLETE SUITE

DATE 12.06.2018	SCALE 1:2
REF. AL40.1095	

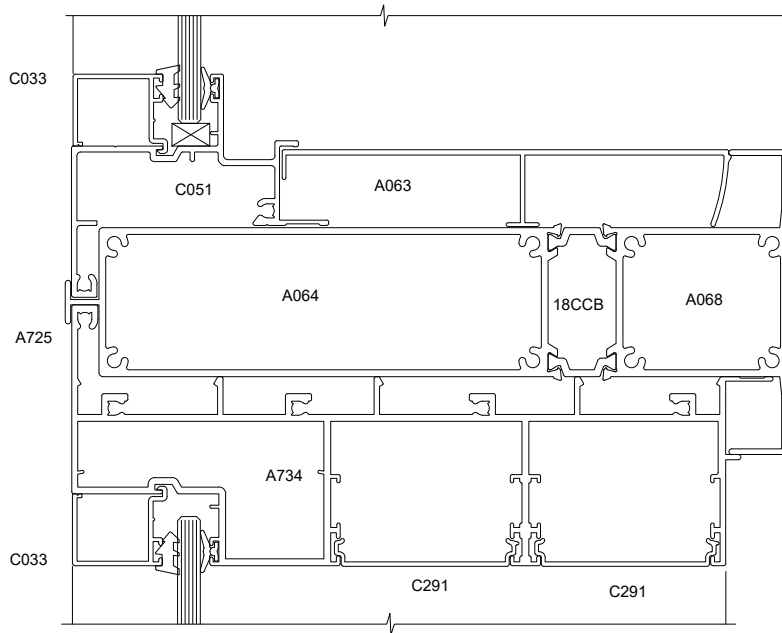
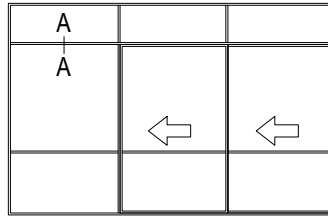


STACKING DOOR

FAIRVIEW SYSTEMS LIMITED SPECIFIERS GUIDE 2014 © TECHNICAL SPECIFICATIONS & PROFILE DETAILS SUBJECT TO CHANGE WITHOUT NOTICE

ARCHITECTURAL LINEAR 40 - COMPLETE SUITE

DATE 12.06.2018	SCALE 1:2
REF. AL40.1096	



SECTION A-A

STACKING DOOR

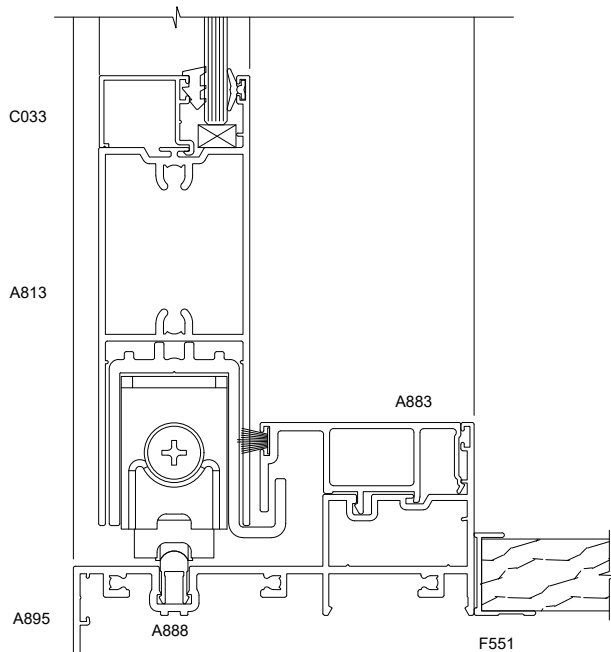
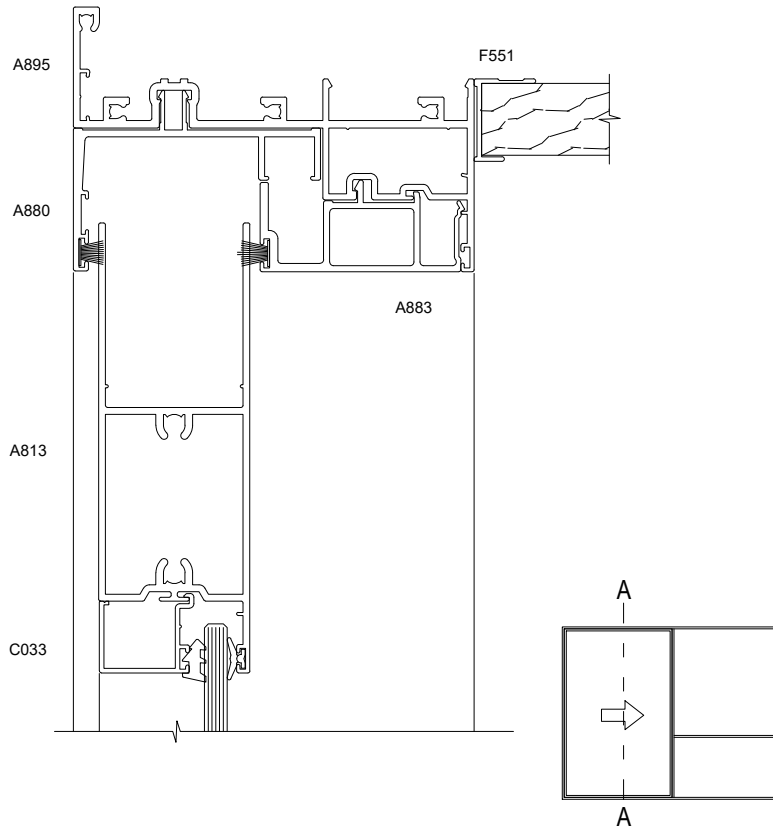
FAIRVIEW SYSTEMS LIMITED SPECIFIERS GUIDE 2014 © TECHNICAL SPECIFICATIONS & PROFILE DETAILS SUBJECT TO CHANGE WITHOUT NOTICE

ARCHITECTURAL LINEAR 40 - COMPLETE SUITE

DATE
12.06.2018

SCALE
1:2

REF. AL40.1097



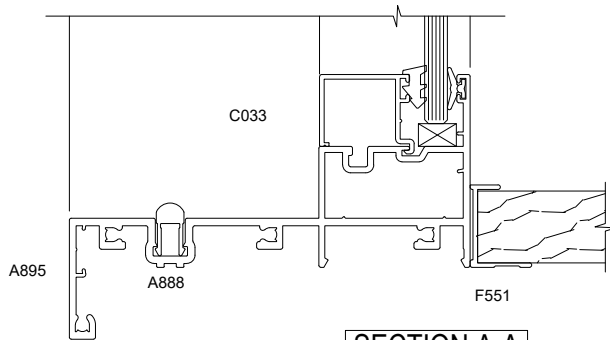
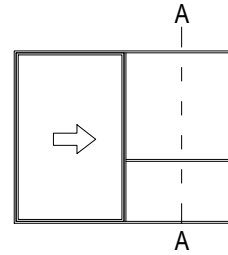
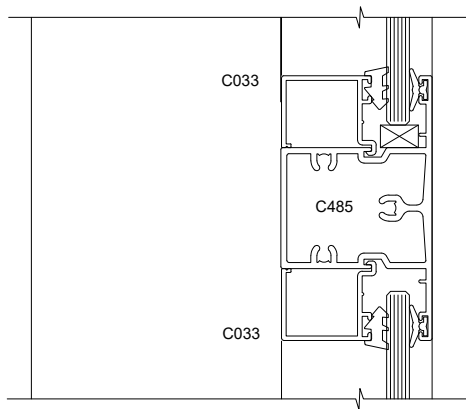
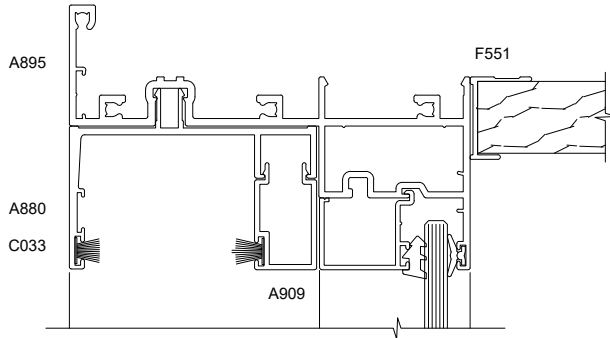
SECTION A-A

EXTERNAL SLIDERS

FAIRVIEW SYSTEMS LIMITED SPECIFIERS GUIDE 2014 © TECHNICAL SPECIFICATIONS & PROFILE DETAILS SUBJECT TO CHANGE WITHOUT NOTICE

ARCHITECTURAL LINEAR 40 - COMPLETE SUITE

DATE 12.06.2018	SCALE 1:2
REF. AL40.1101	



EXTERNAL SLIDERS

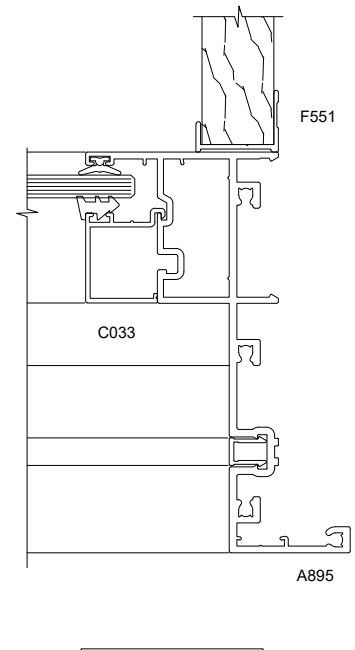
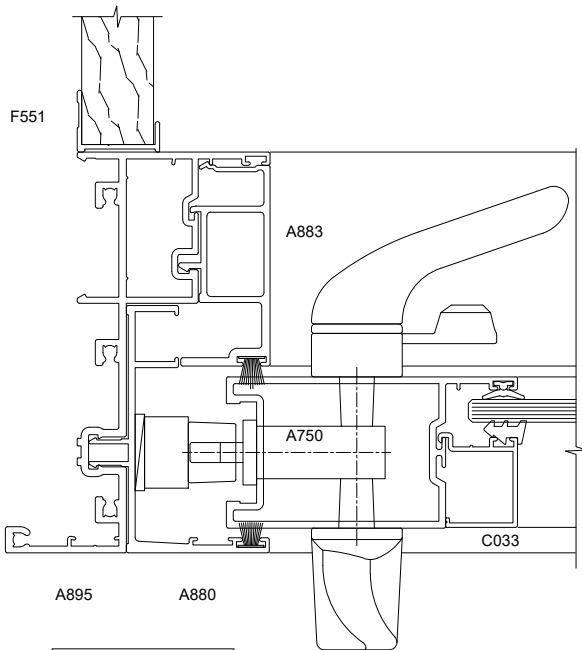
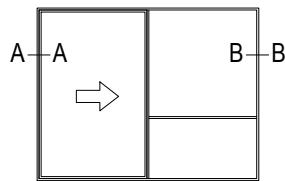
FAIRVIEW SYSTEMS LIMITED SPECIFIERS GUIDE 2014 © TECHNICAL SPECIFICATIONS & PROFILE DETAILS SUBJECT TO CHANGE WITHOUT NOTICE

ARCHITECTURAL LINEAR 40 - COMPLETE SUITE

DATE
12.06.2018

SCALE
1:2

REF. AL40.1102

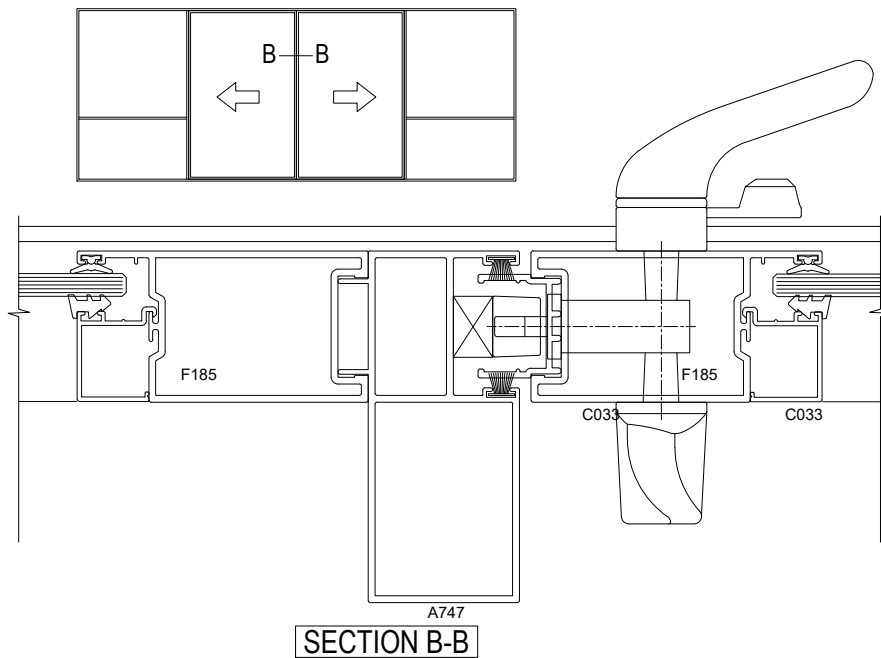
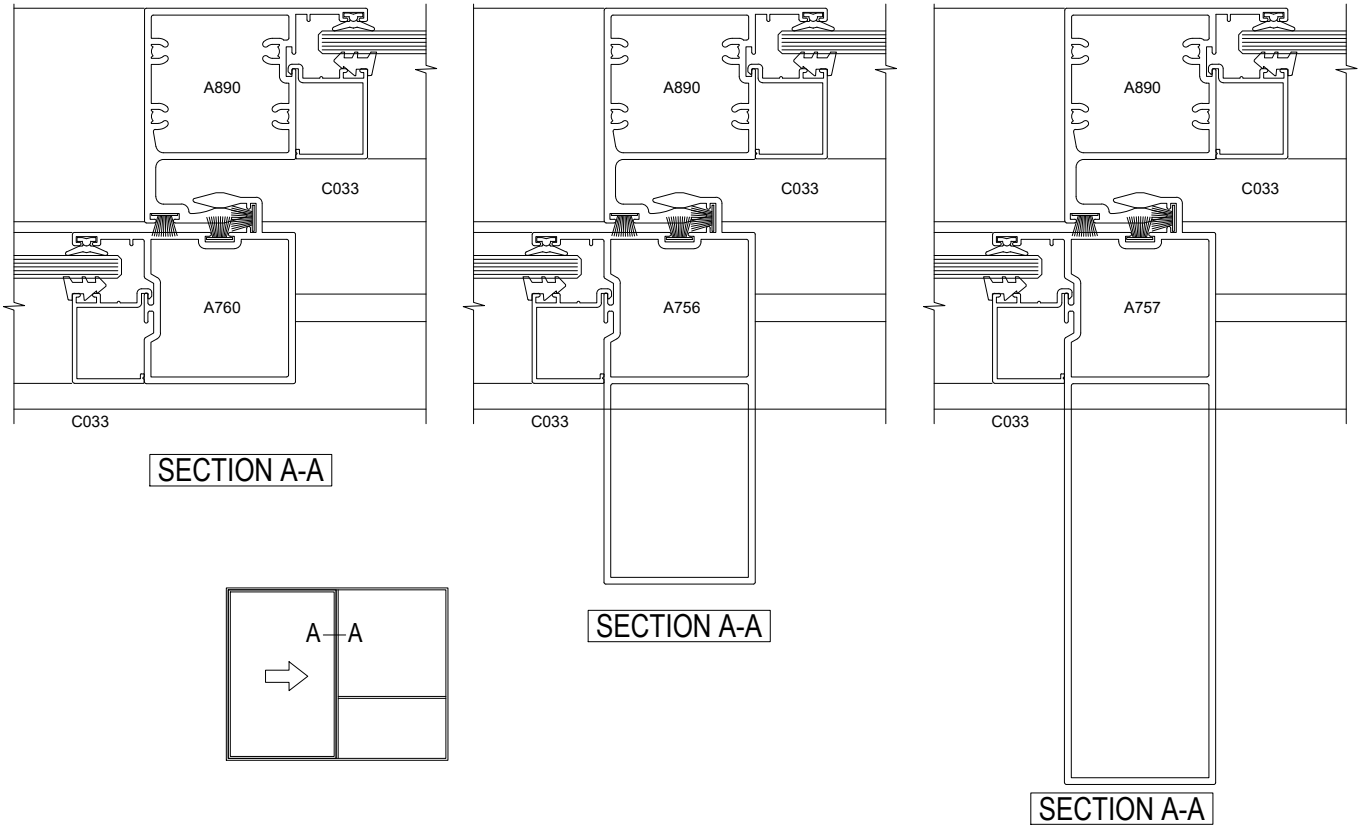


EXTERNAL SLIDERS

FAIRVIEW SYSTEMS LIMITED SPECIFIERS GUIDE 2014 © TECHNICAL SPECIFICATIONS & PROFILE DETAILS SUBJECT TO CHANGE WITHOUT NOTICE

ARCHITECTURAL LINEAR 40 - COMPLETE SUITE

DATE 12.06.2018	SCALE 1:2
REF. AL40.1103	

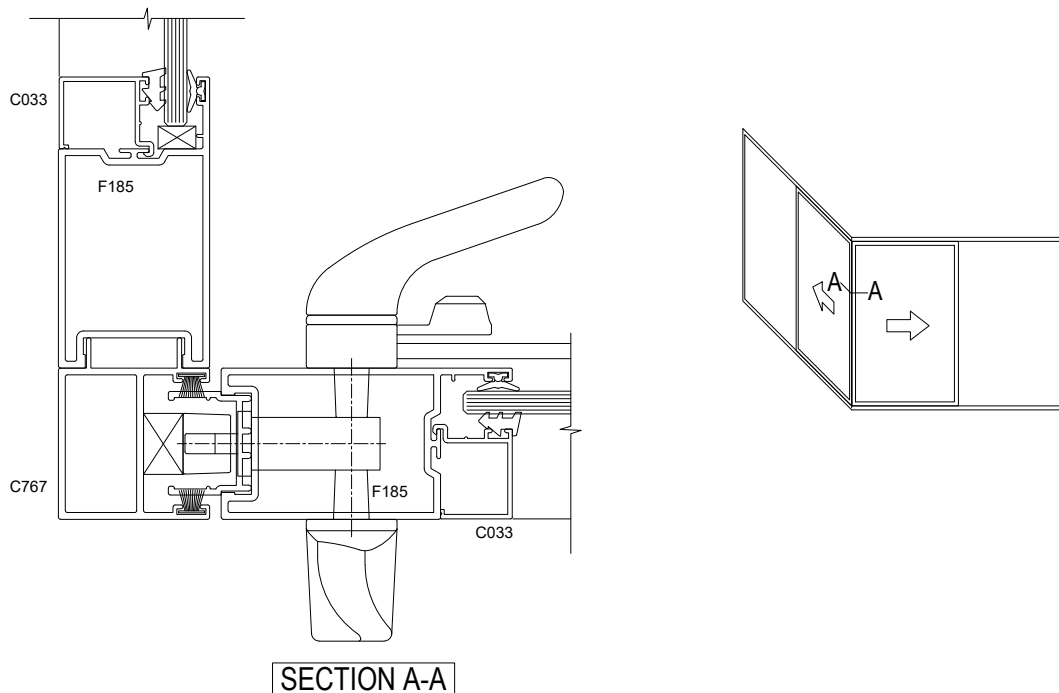


SLIDING DOOR

FAIRVIEW SYSTEMS LIMITED SPECIFIERS GUIDE 2014 © TECHNICAL SPECIFICATIONS & PROFILE DETAILS SUBJECT TO CHANGE WITHOUT NOTICE

ARCHITECTURAL LINEAR 40 - COMPLETE SUITE

DATE 12.06.2018	SCALE 1:2
REF. AL40.1104	



SLIDING DOOR

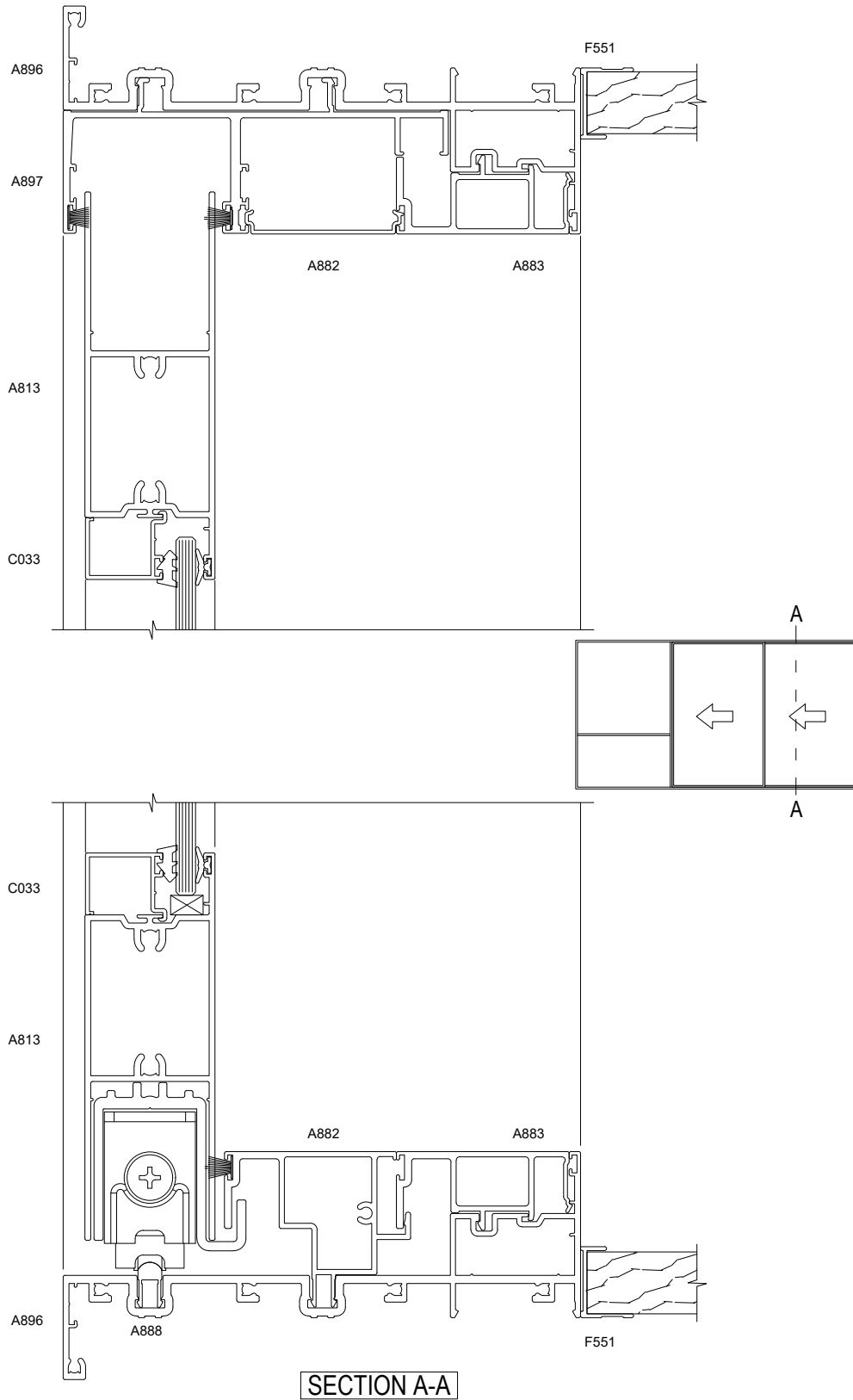
FAIRVIEW SYSTEMS LIMITED SPECIFIERS GUIDE 2014 © TECHNICAL SPECIFICATIONS & PROFILE DETAILS SUBJECT TO CHANGE WITHOUT NOTICE

ARCHITECTURAL LINEAR 40 - COMPLETE SUITE

DATE
12.06.2018

SCALE
1:2

REF. AL40.1105



SECTION A-A

EXTERNAL STACKERS

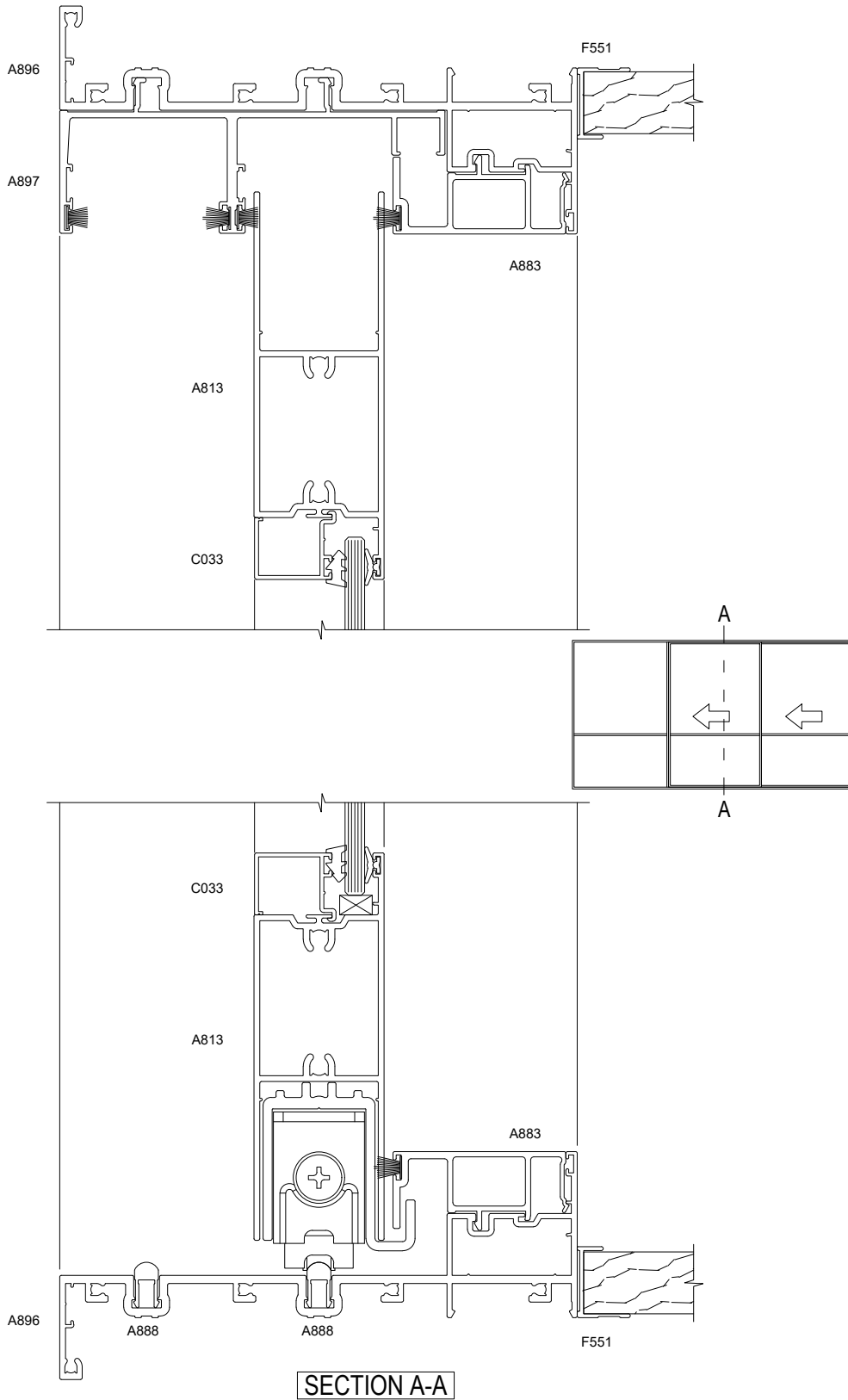
FAIRVIEW SYSTEMS LIMITED SPECIFIERS GUIDE 2014 © TECHNICAL SPECIFICATIONS & PROFILE DETAILS SUBJECT TO CHANGE WITHOUT NOTICE

ARCHITECTURAL LINEAR 40 - COMPLETE SUITE

DATE
12.06.2018

SCALE
1:2

REF. AL40.1111



SECTION A-A

EXTERNAL STACKERS

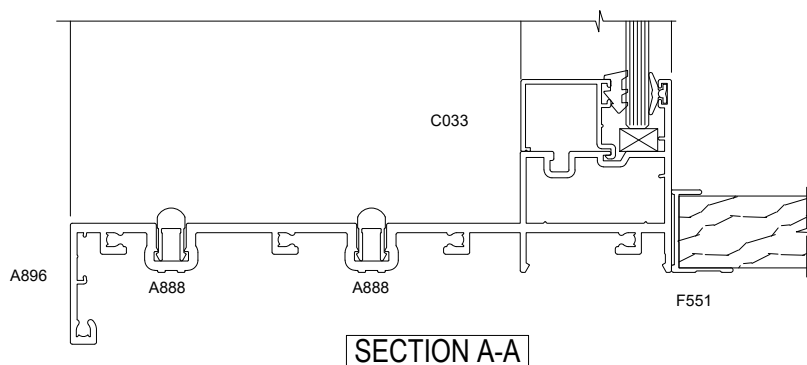
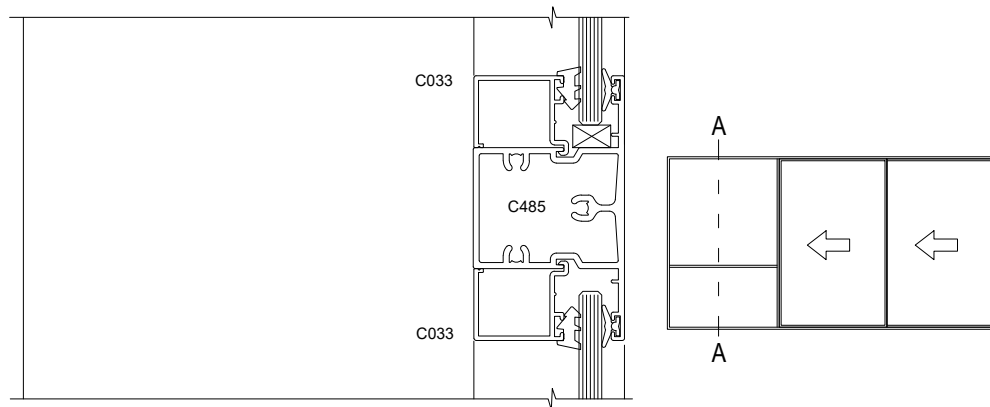
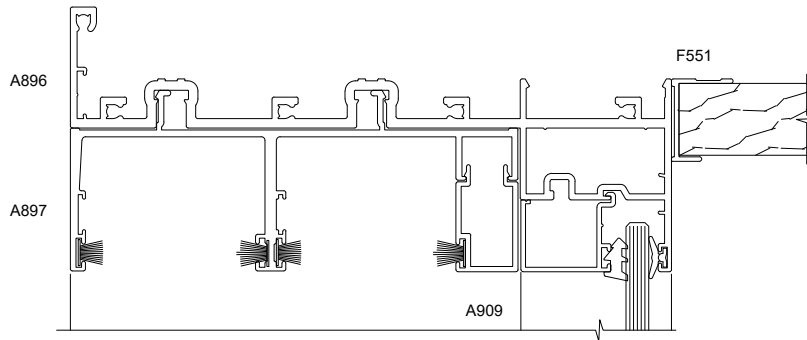
FAIRVIEW SYSTEMS LIMITED SPECIFIERS GUIDE 2014 © TECHNICAL SPECIFICATIONS & PROFILE DETAILS SUBJECT TO CHANGE WITHOUT NOTICE

ARCHITECTURAL LINEAR 40 - COMPLETE SUITE

DATE
12.06.2018

SCALE
1:2

REF. AL40.1112

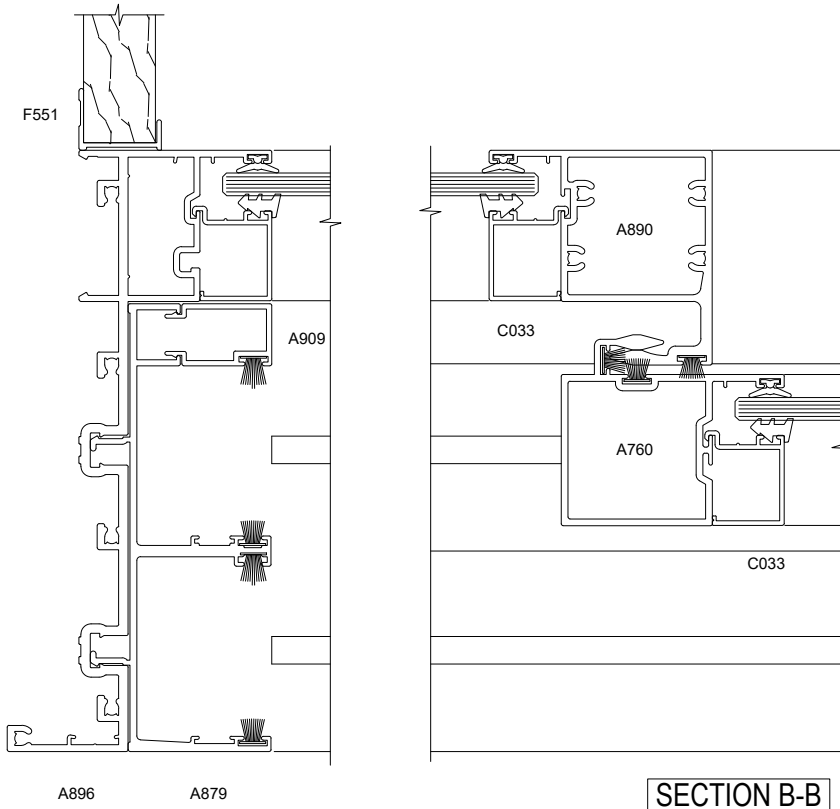


EXTERNAL STACKERS

FAIRVIEW SYSTEMS LIMITED SPECIFIERS GUIDE 2014 © TECHNICAL SPECIFICATIONS & PROFILE DETAILS SUBJECT TO CHANGE WITHOUT NOTICE

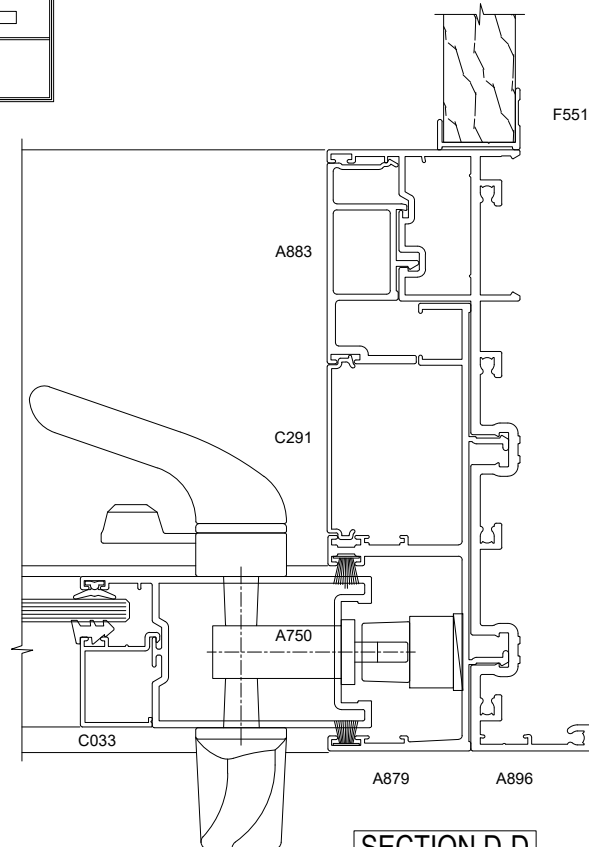
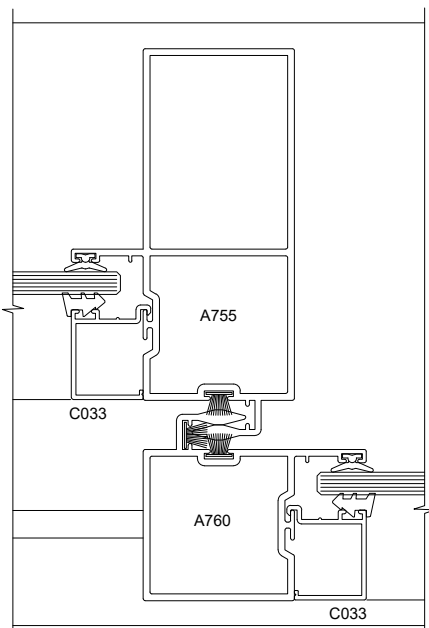
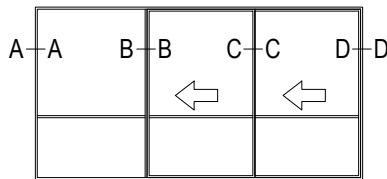
ARCHITECTURAL LINEAR 40 - COMPLETE SUITE

DATE 12.06.2018	SCALE 1:2
REF. AL40.1113	



SECTION A-A

SECTION B-B



SECTION C-C

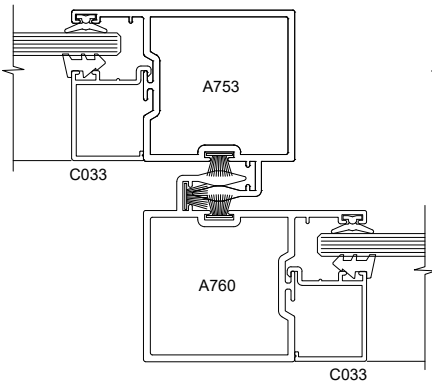
SECTION D-D

EXTERNAL STACKERS

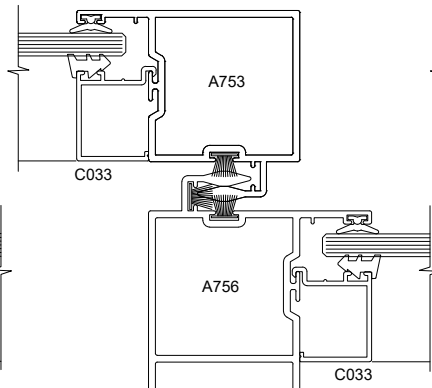
FAIRVIEW SYSTEMS LIMITED SPECIFIERS GUIDE 2014 © TECHNICAL SPECIFICATIONS & PROFILE DETAILS SUBJECT TO CHANGE WITHOUT NOTICE

ARCHITECTURAL LINEAR 40 - COMPLETE SUITE

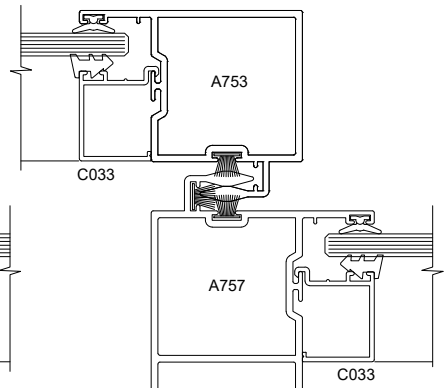
DATE 12.06.2018	SCALE 1:2
REF. AL40.1114	



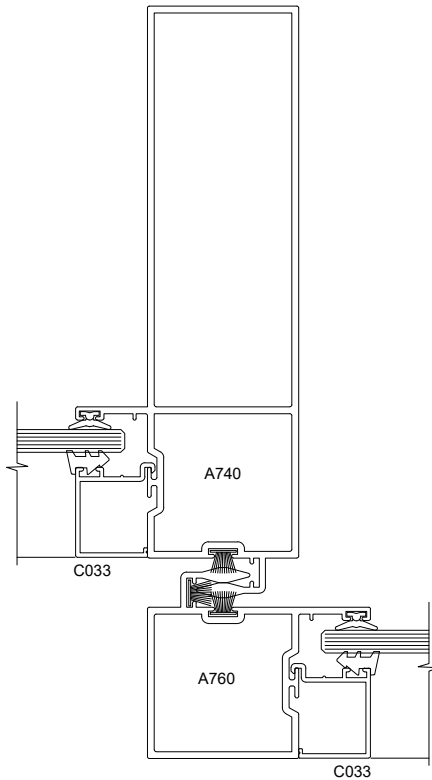
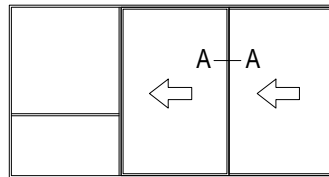
SECTION A-A



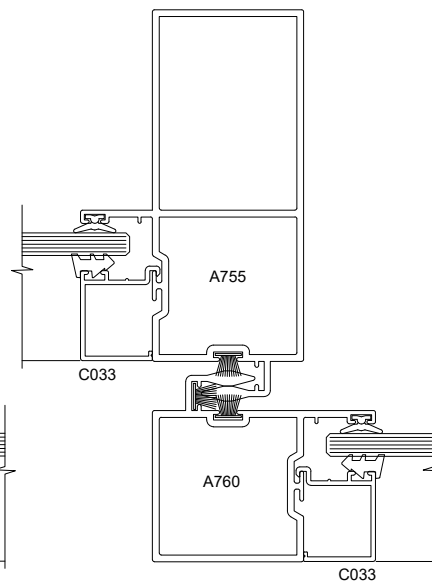
SECTION A-A



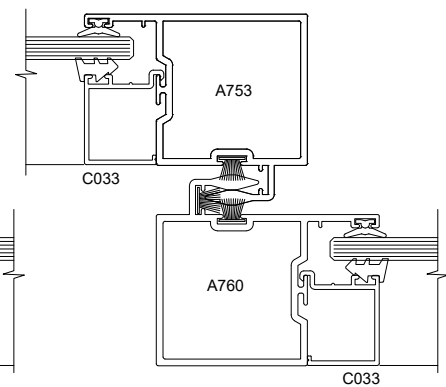
SECTION A-A



SECTION A-A



SECTION A-A



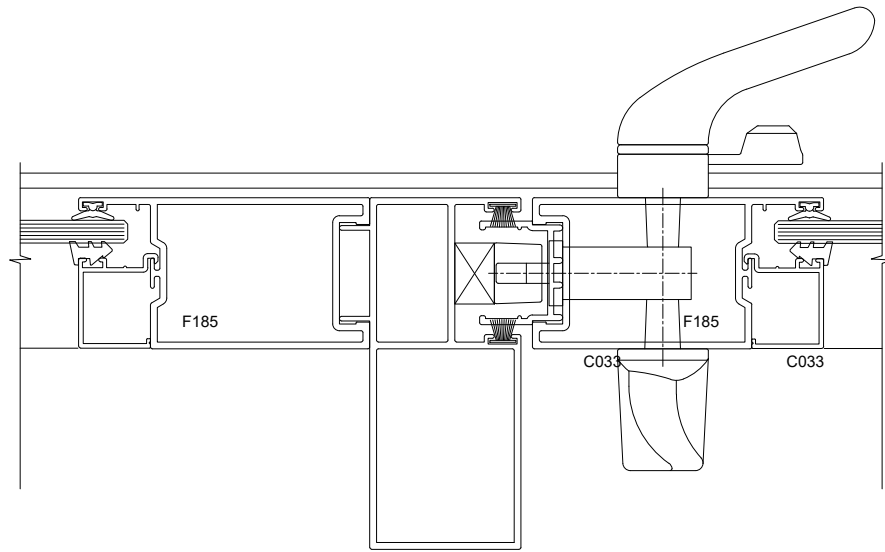
SECTION A-A

EXTERNAL STACKERS

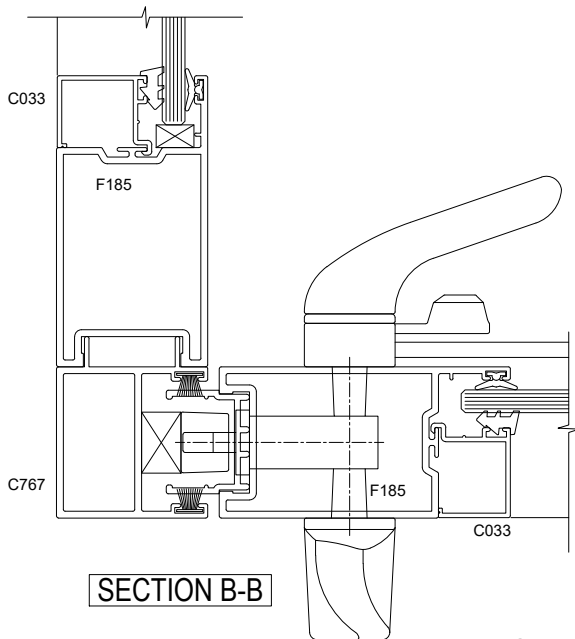
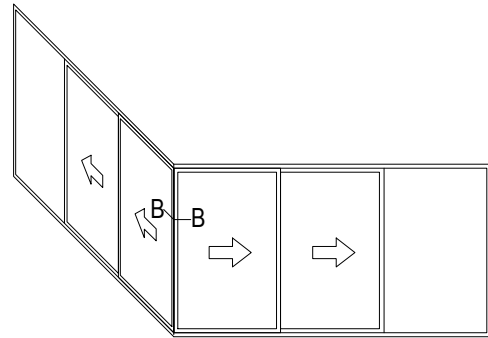
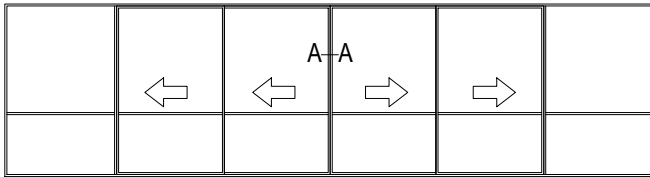
FAIRVIEW SYSTEMS LIMITED SPECIFIERS GUIDE 2014 © TECHNICAL SPECIFICATIONS & PROFILE DETAILS SUBJECT TO CHANGE WITHOUT NOTICE

ARCHITECTURAL LINEAR 40 - COMPLETE SUITE

DATE 12.06.2018	SCALE 1:2
REF. AL40.1115	



A747
SECTION A-A



SECTION B-B

SLIDING DOOR

FAIRVIEW SYSTEMS LIMITED SPECIFIERS GUIDE 2014 © TECHNICAL SPECIFICATIONS & PROFILE DETAILS SUBJECT TO CHANGE WITHOUT NOTICE

ARCHITECTURAL LINEAR 40 - COMPLETE SUITE

DATE 12.06.2018	SCALE 1:2
REF. AL40.1116	