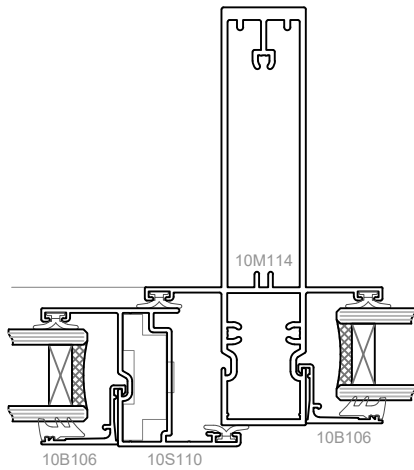
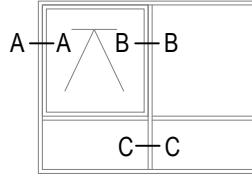


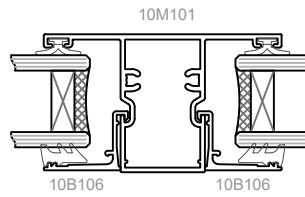
SECTION A-A

SECTION B-B

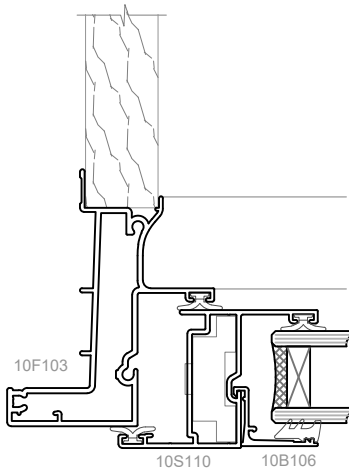
AWNING / CASEMENT WINDOW



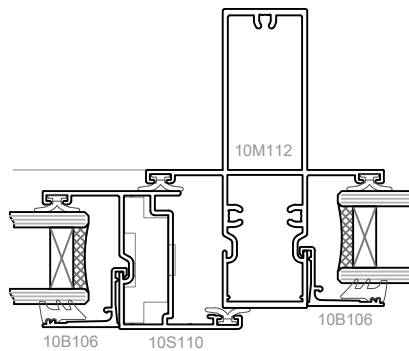
SECTION B-B



SECTION C-C

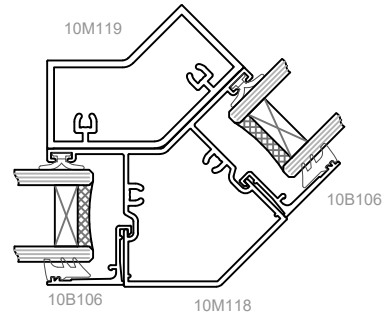
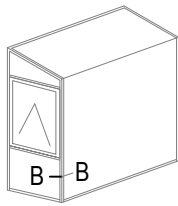


SECTION A-A

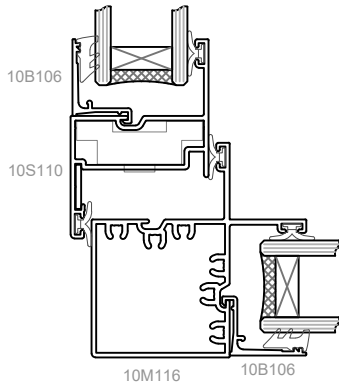


SECTION B-B

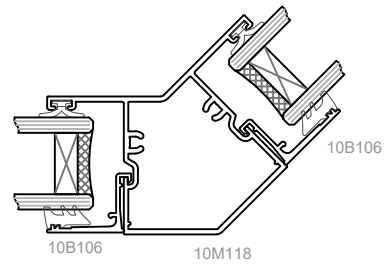
AWNING / CASEMENT WINDOW



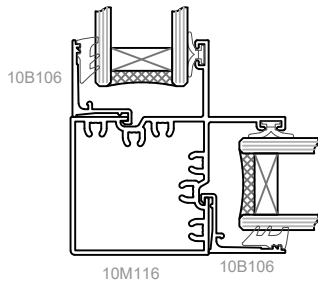
SECTION C-C



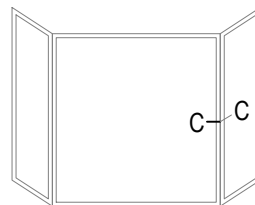
SECTION B-B



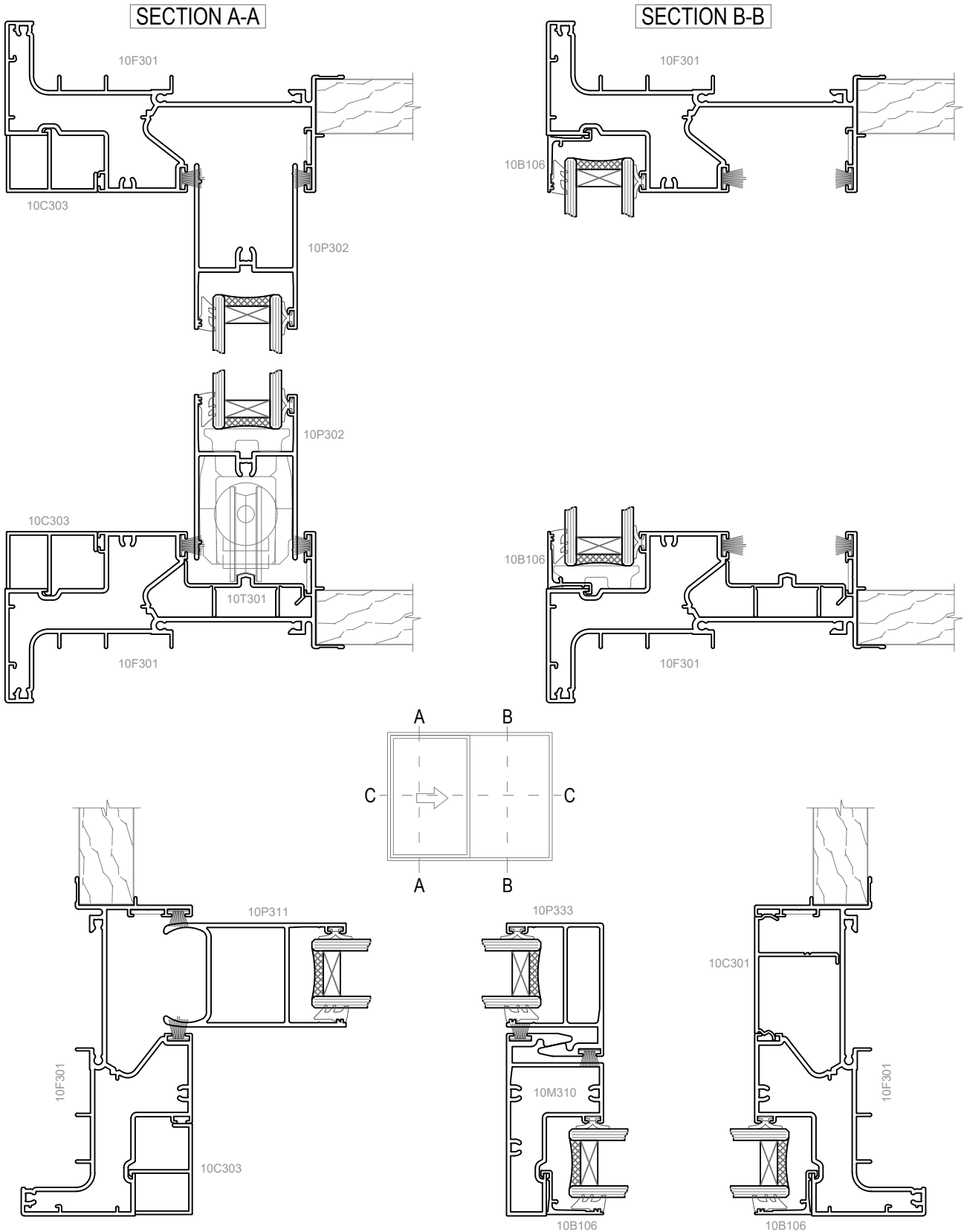
SECTION C-C



SECTION B-B

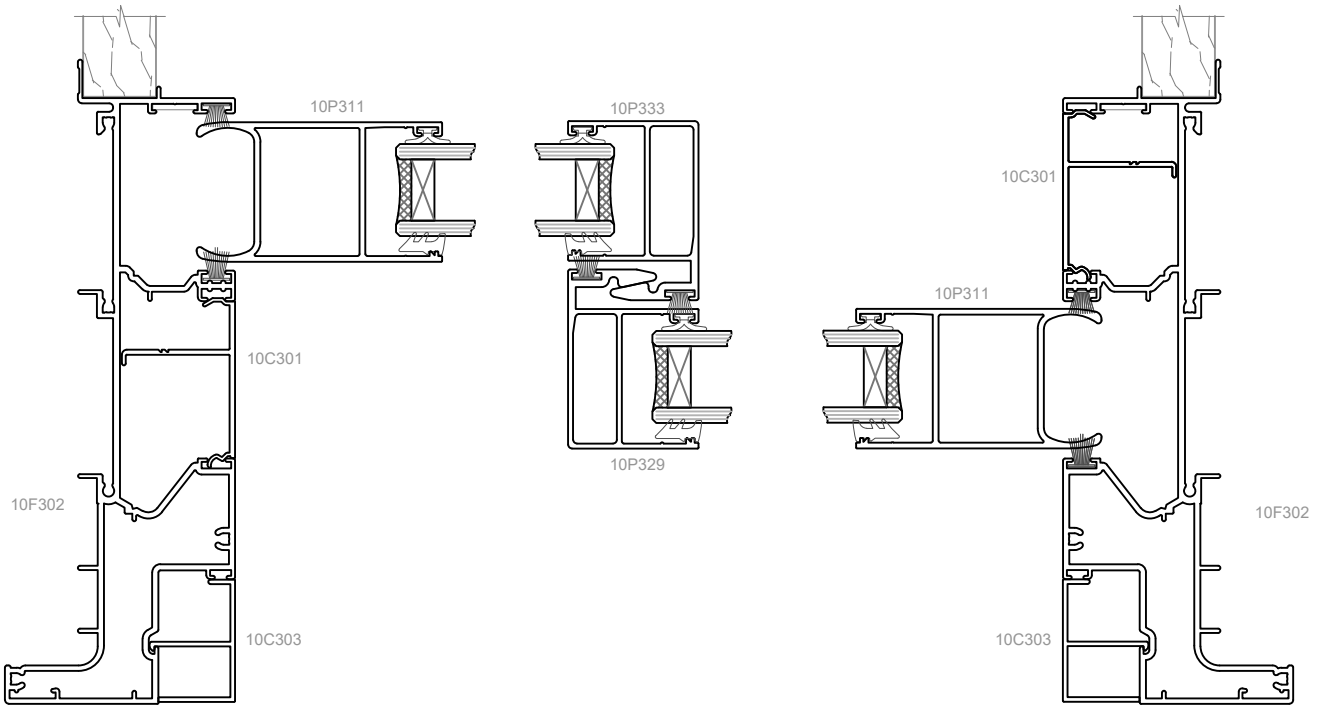


AWNING / CASEMENT WINDOW

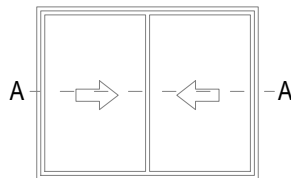


SECTION C-C

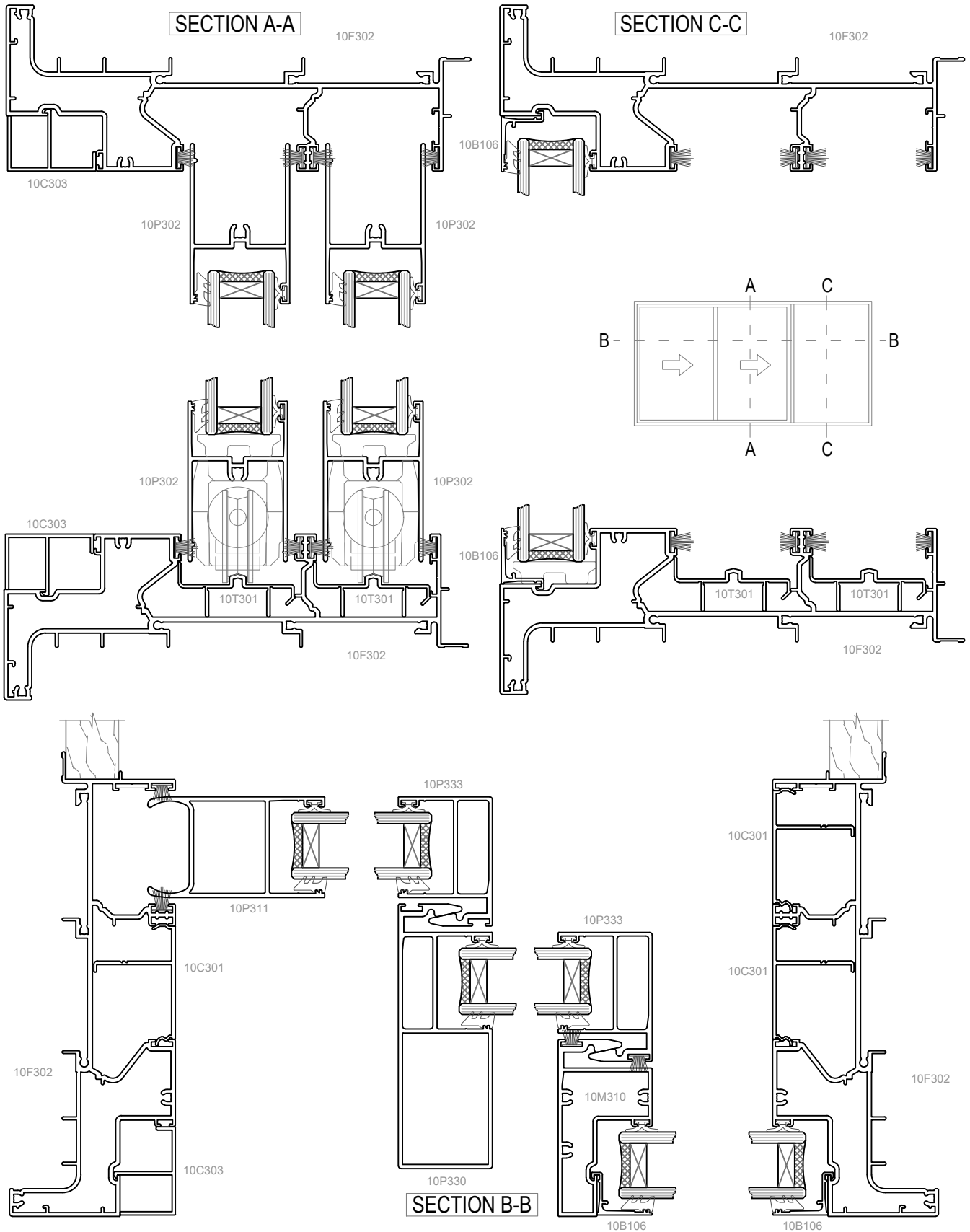
HORIZONTAL SLIDING WINDOW



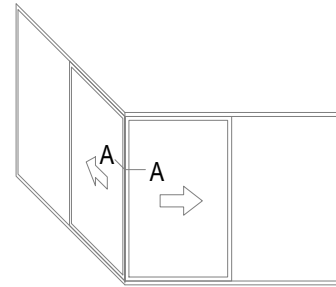
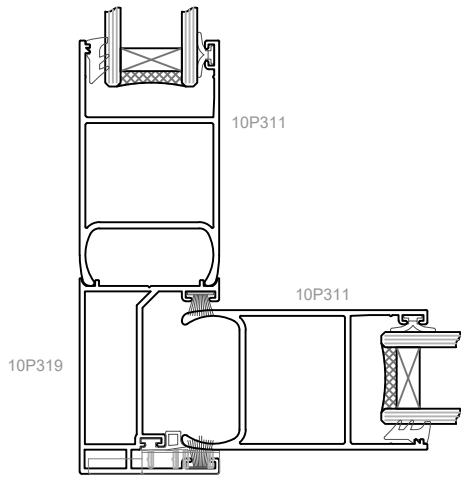
SECTION A-A



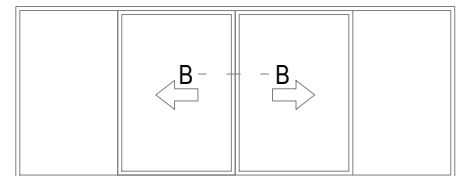
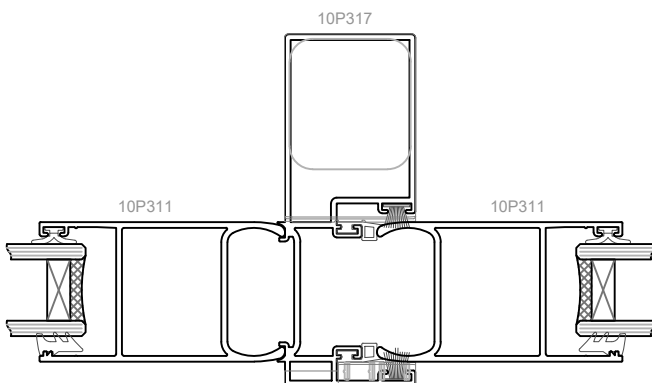
HORIZONTAL SLIDING WINDOW



HORIZONTAL SLIDING WINDOW

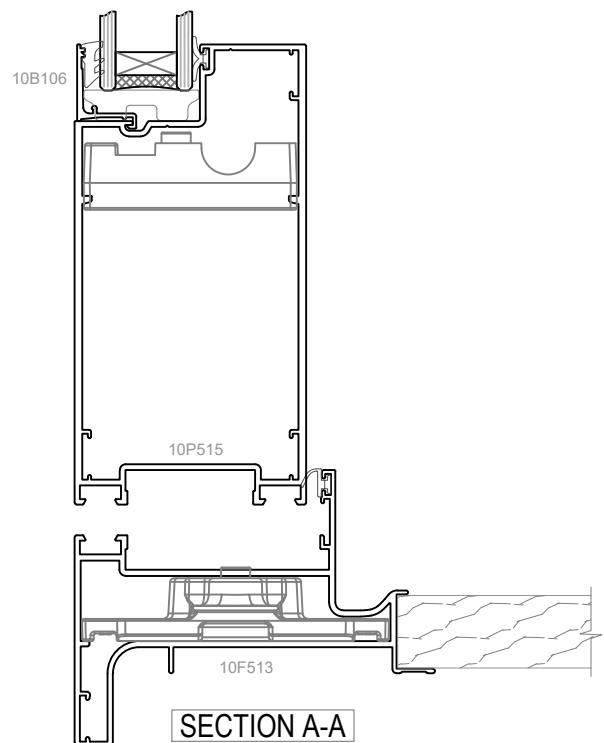
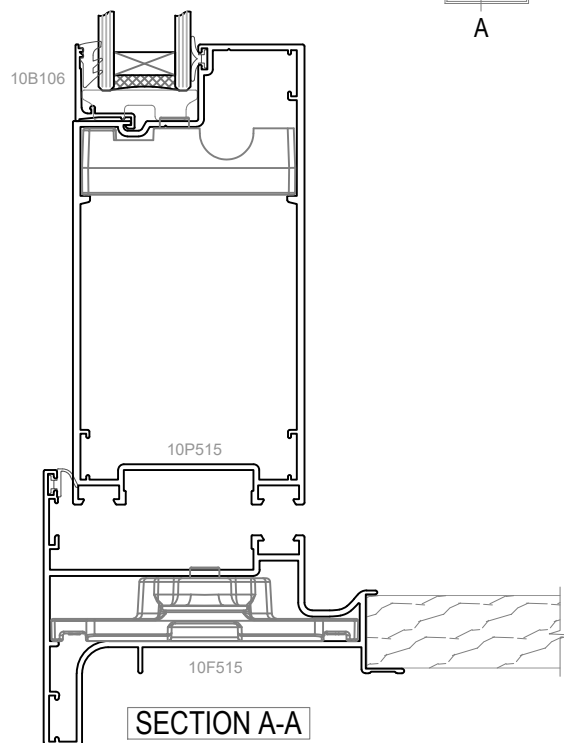
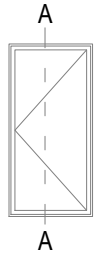
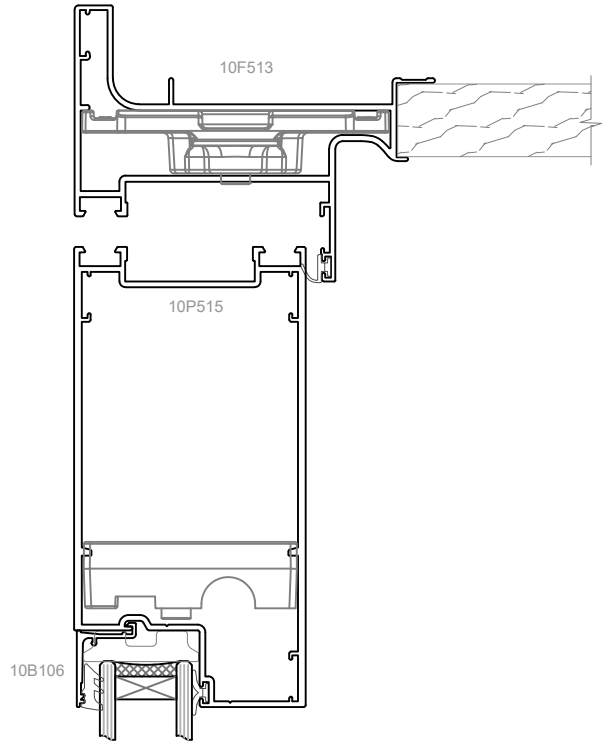
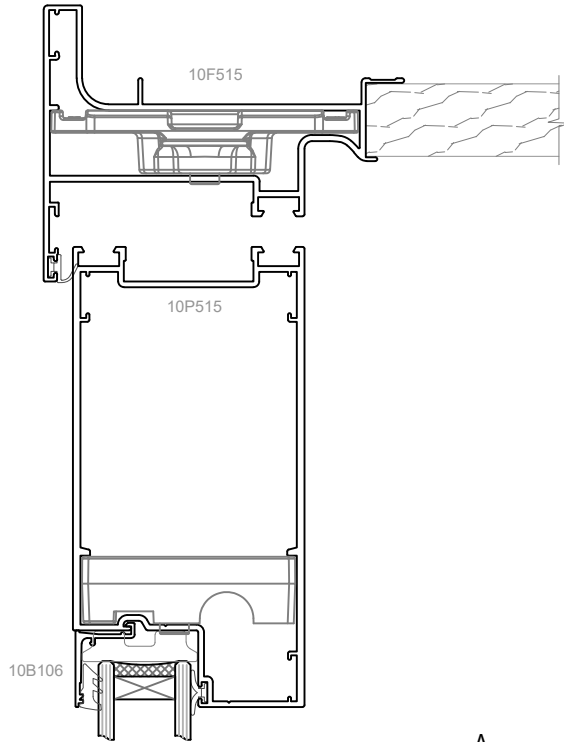


SECTION A-A

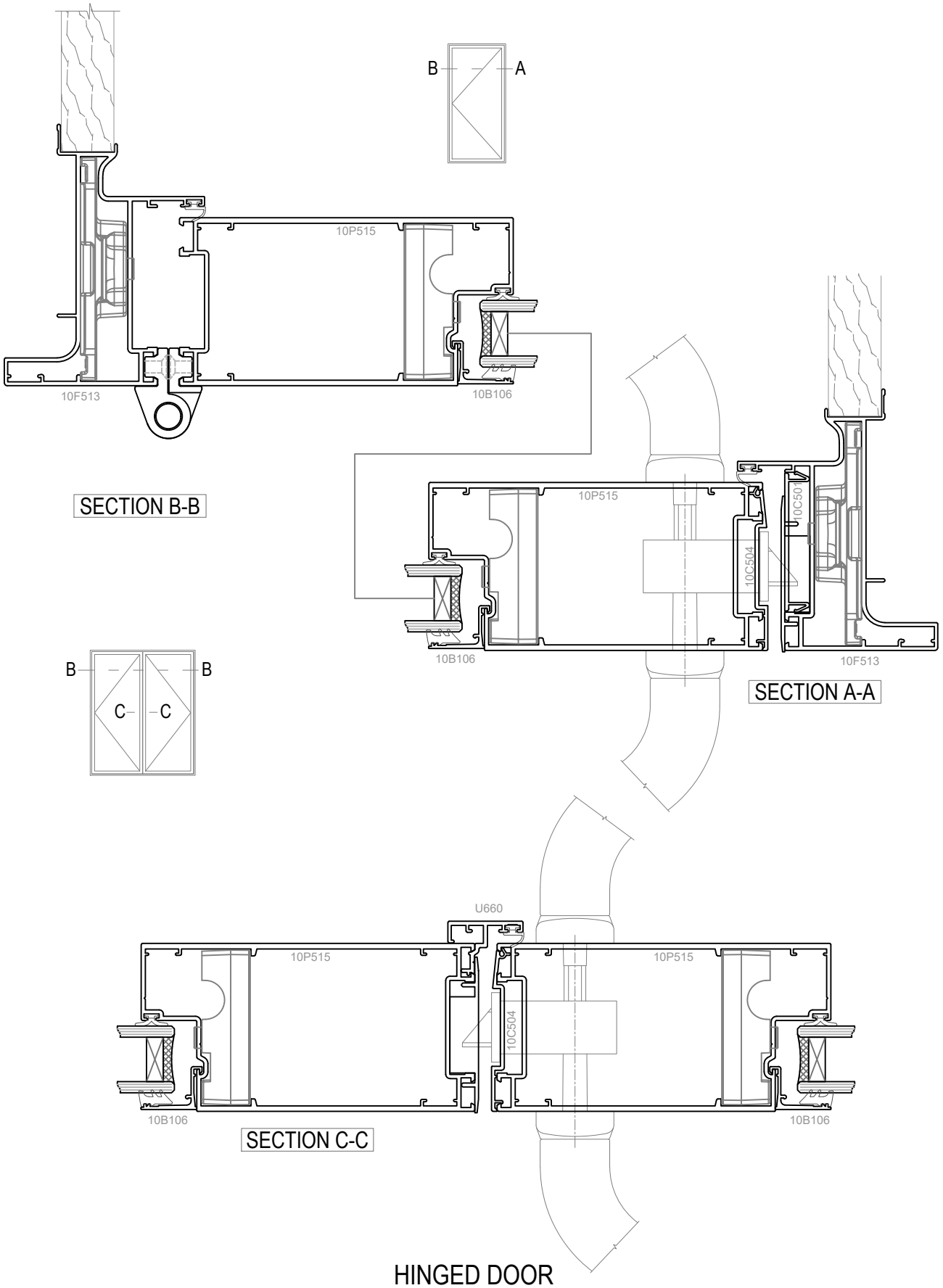


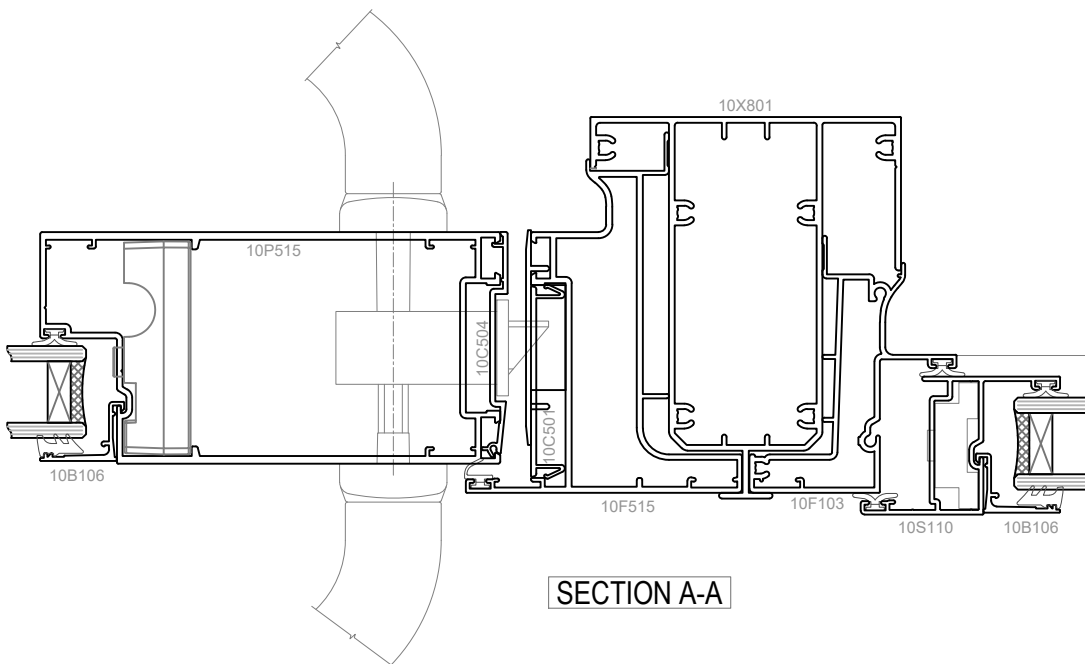
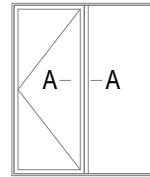
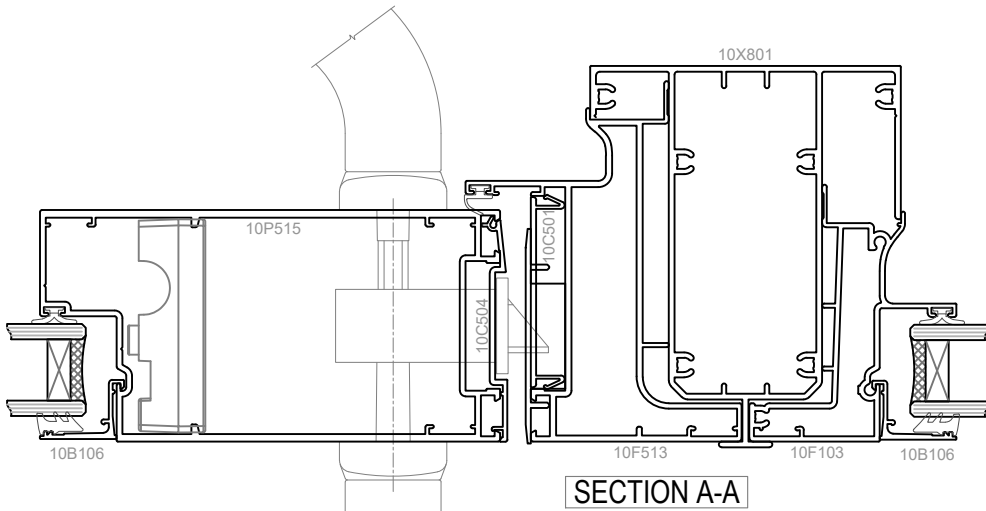
SECTION B-B

HORIZONTAL SLIDING WINDOW

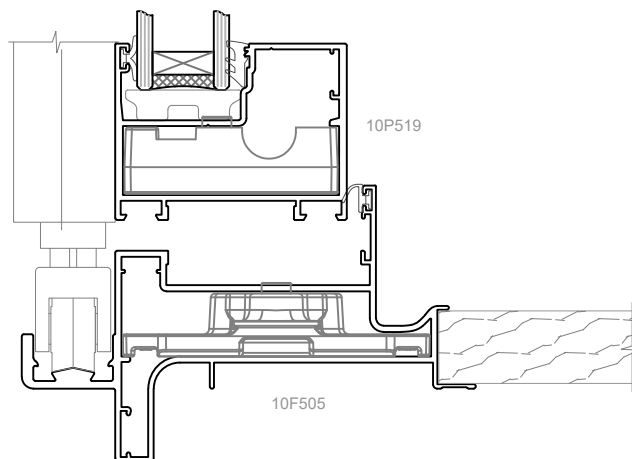
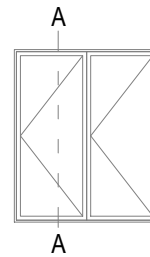
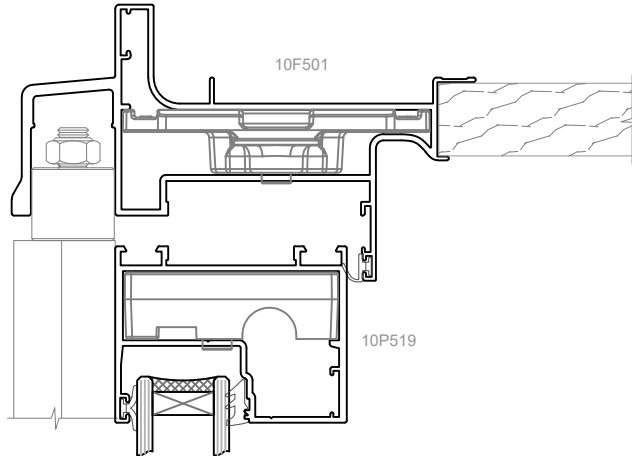


HINGED DOOR



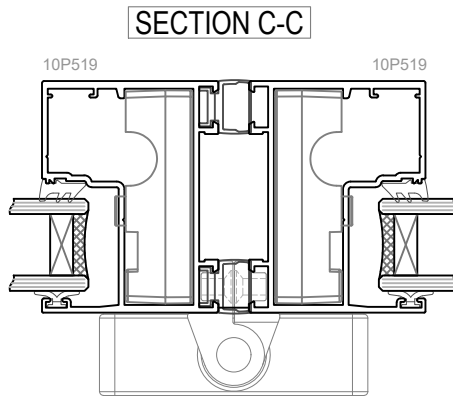
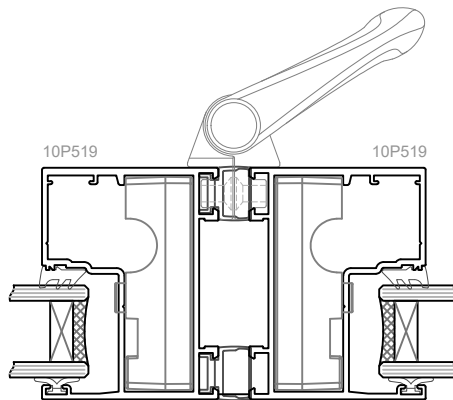
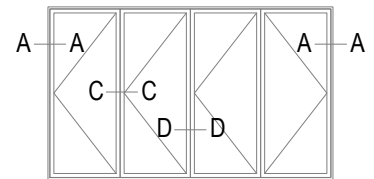
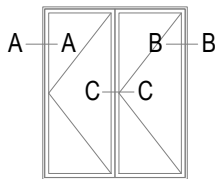
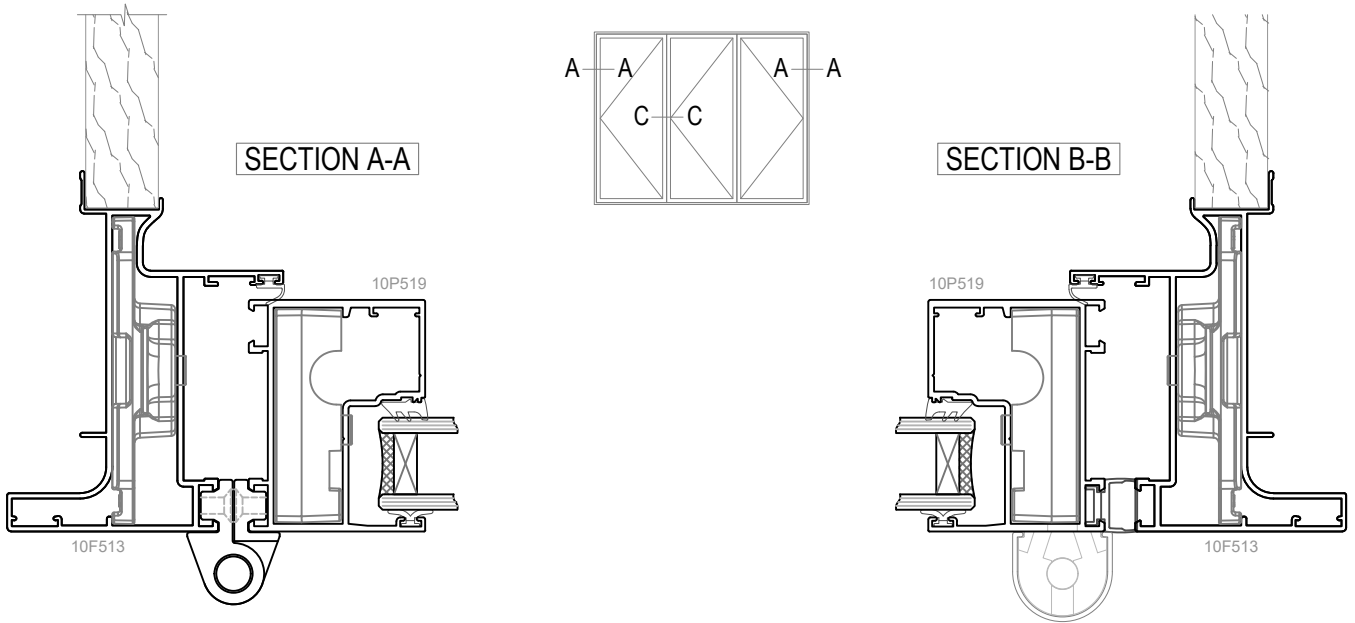


HINGED DOOR

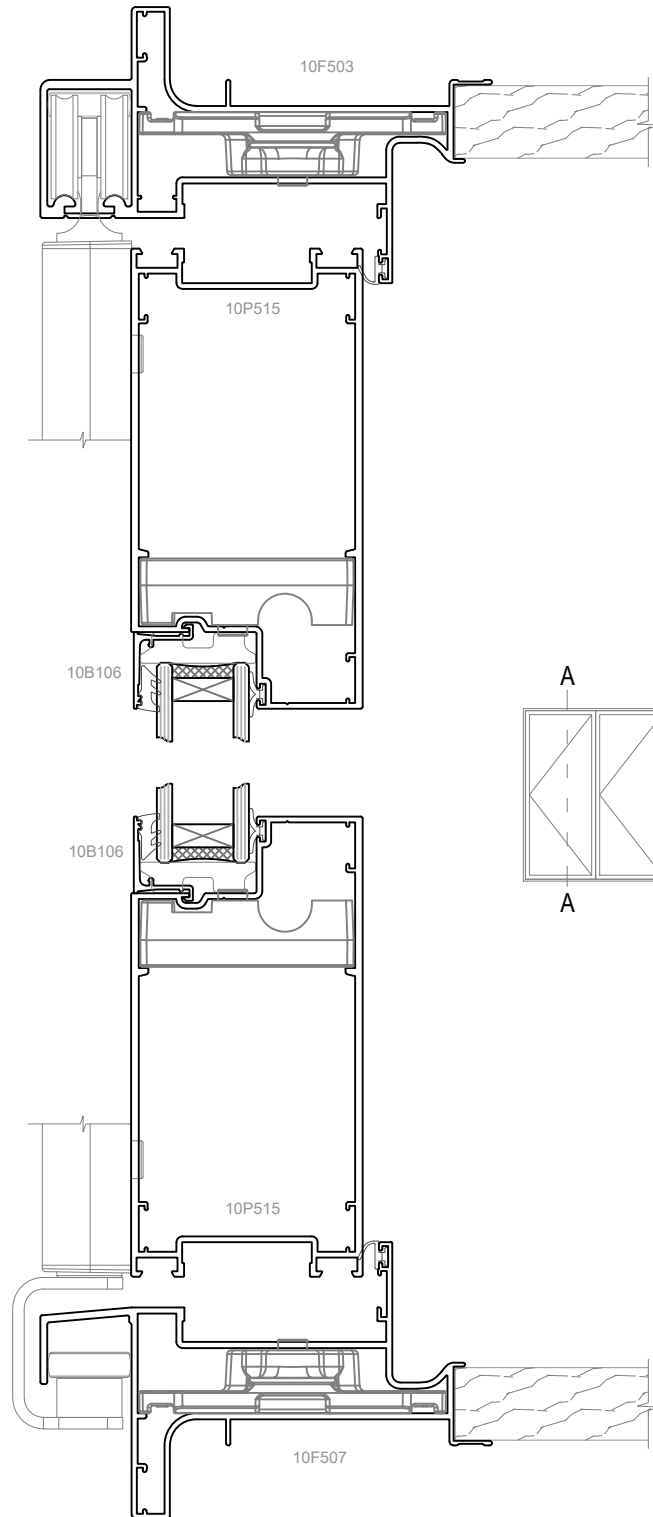


SECTION A-A

BI-FOLD WINDOW

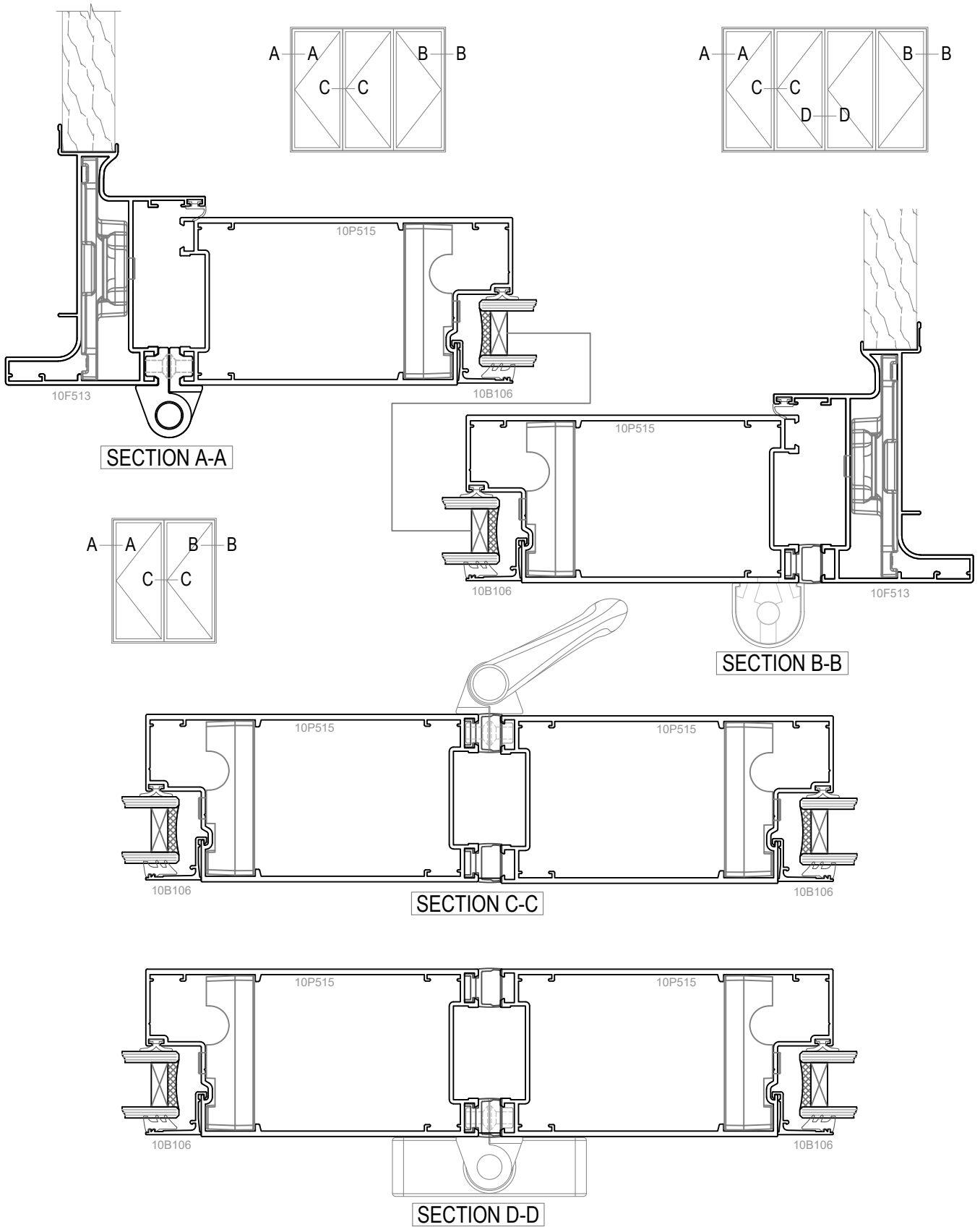


BI-FOLD WINDOW

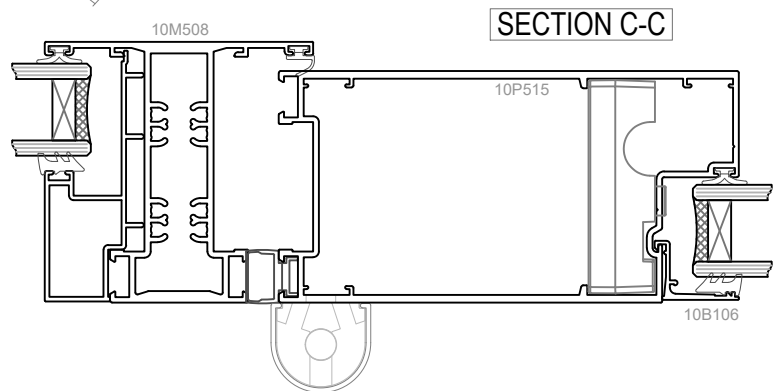
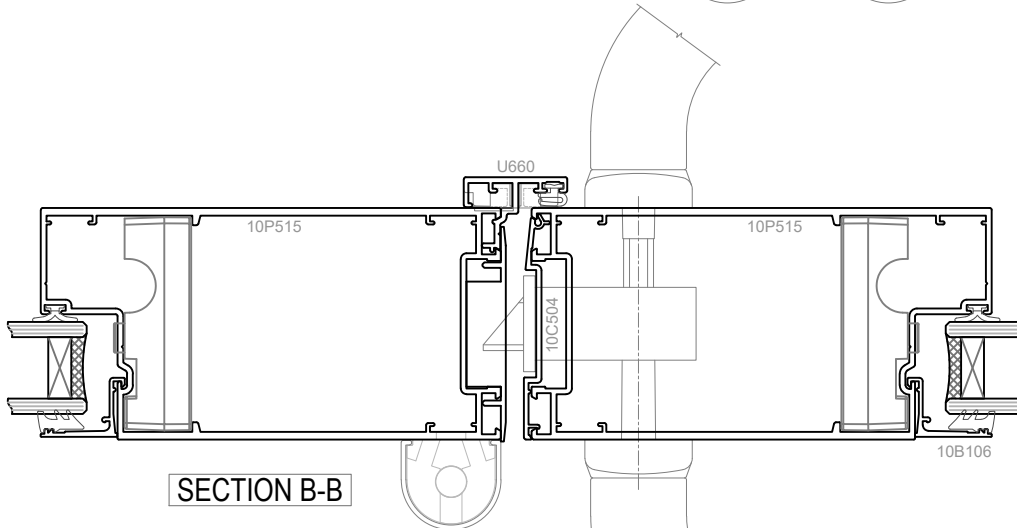
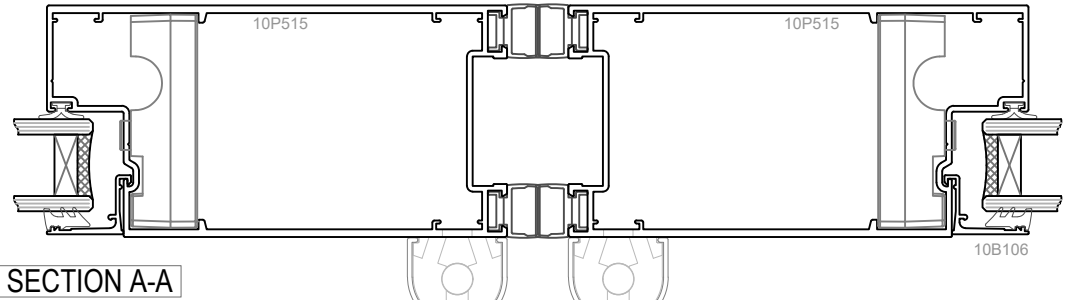
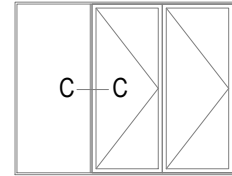
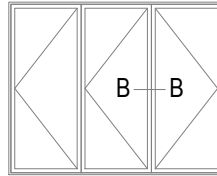
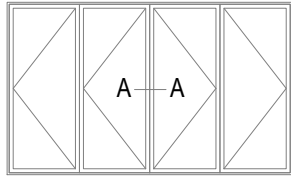


SECTION A-A

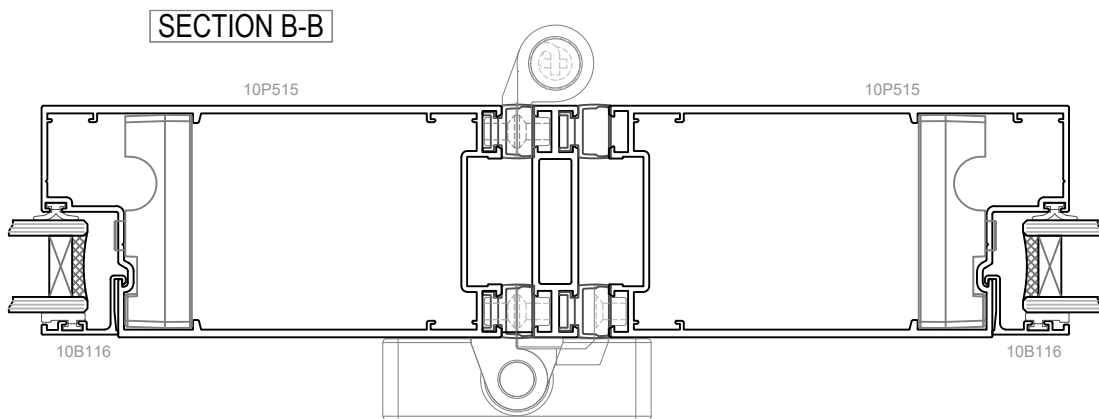
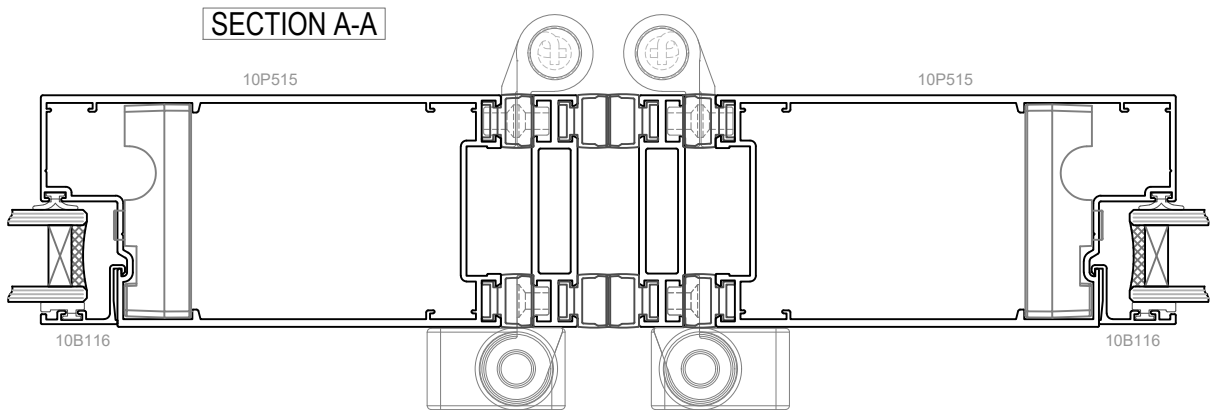
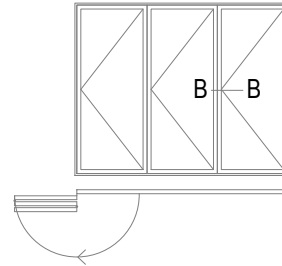
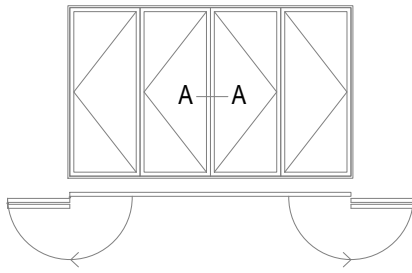
TOP HUNG HOOPED GUIDE BI-FOLD DOOR



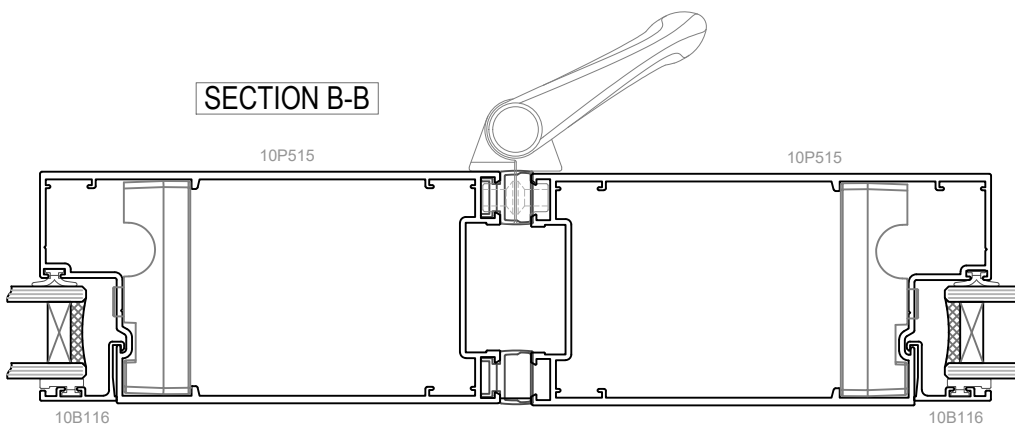
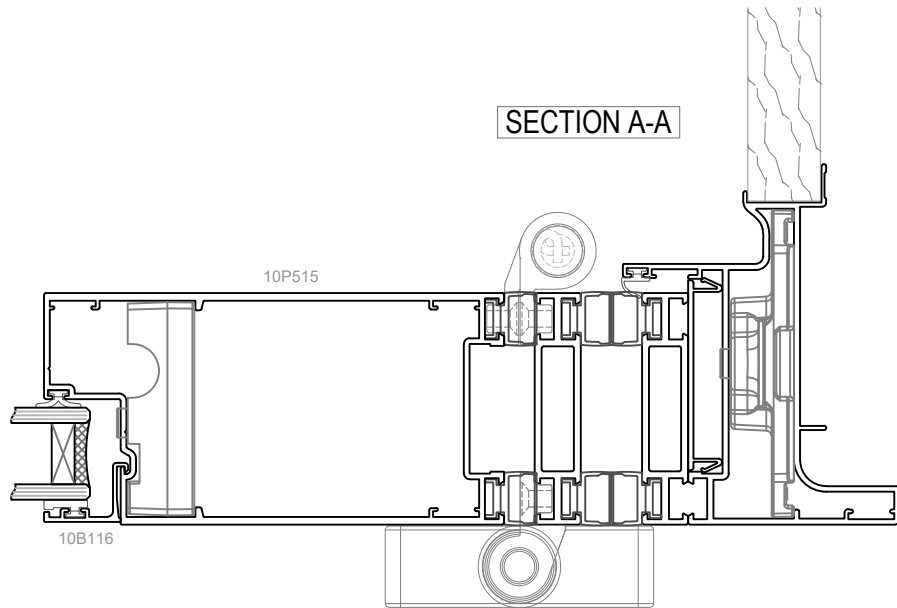
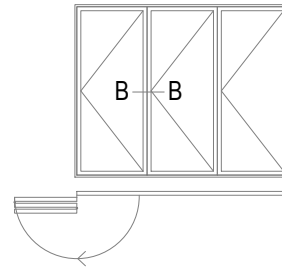
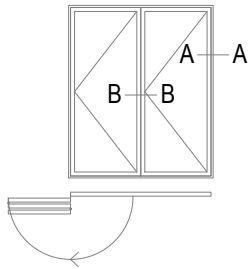
TOP HUNG HOODED GUIDE BI-FOLD DOOR



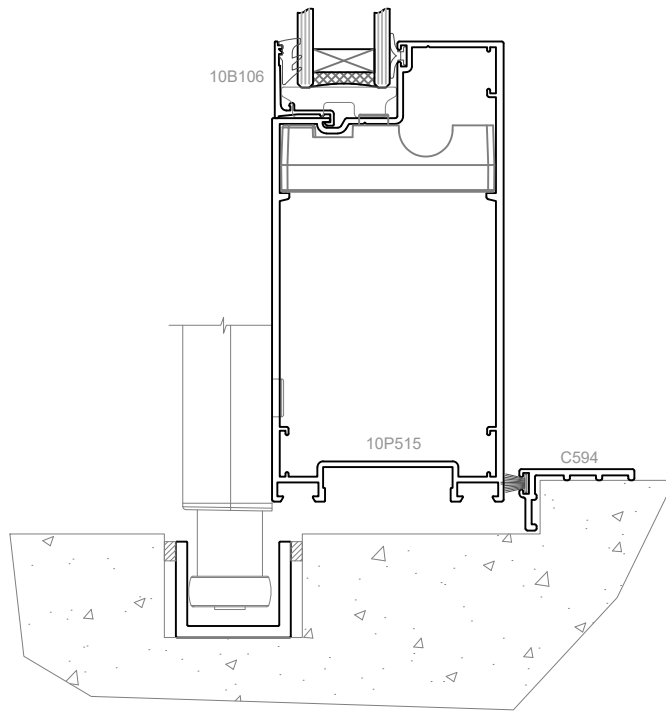
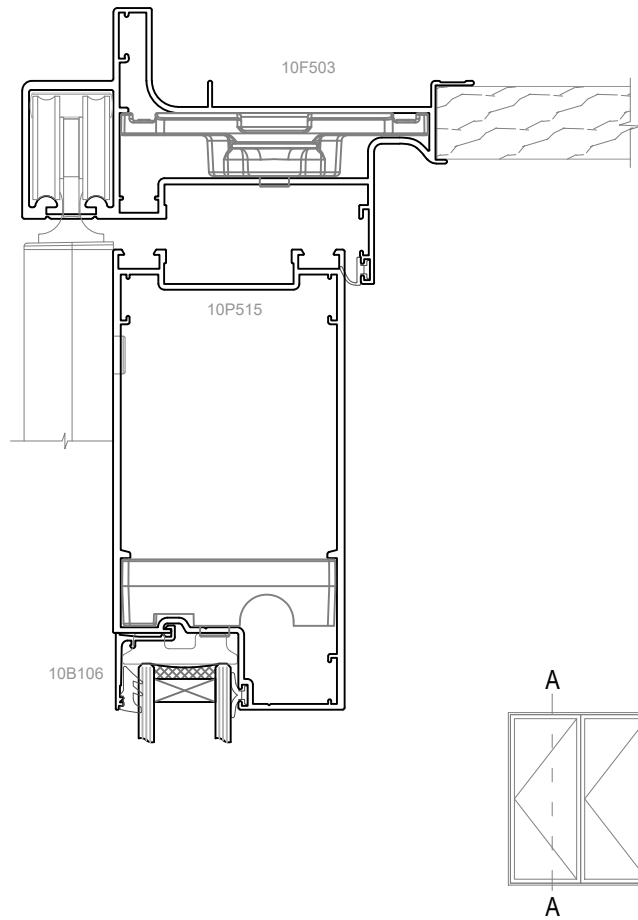
TOP HUNG HOODED GUIDE BI-FOLD DOOR



TOP HUNG HOODED GUIDE BI-FOLD DOOR - FREEFOLD

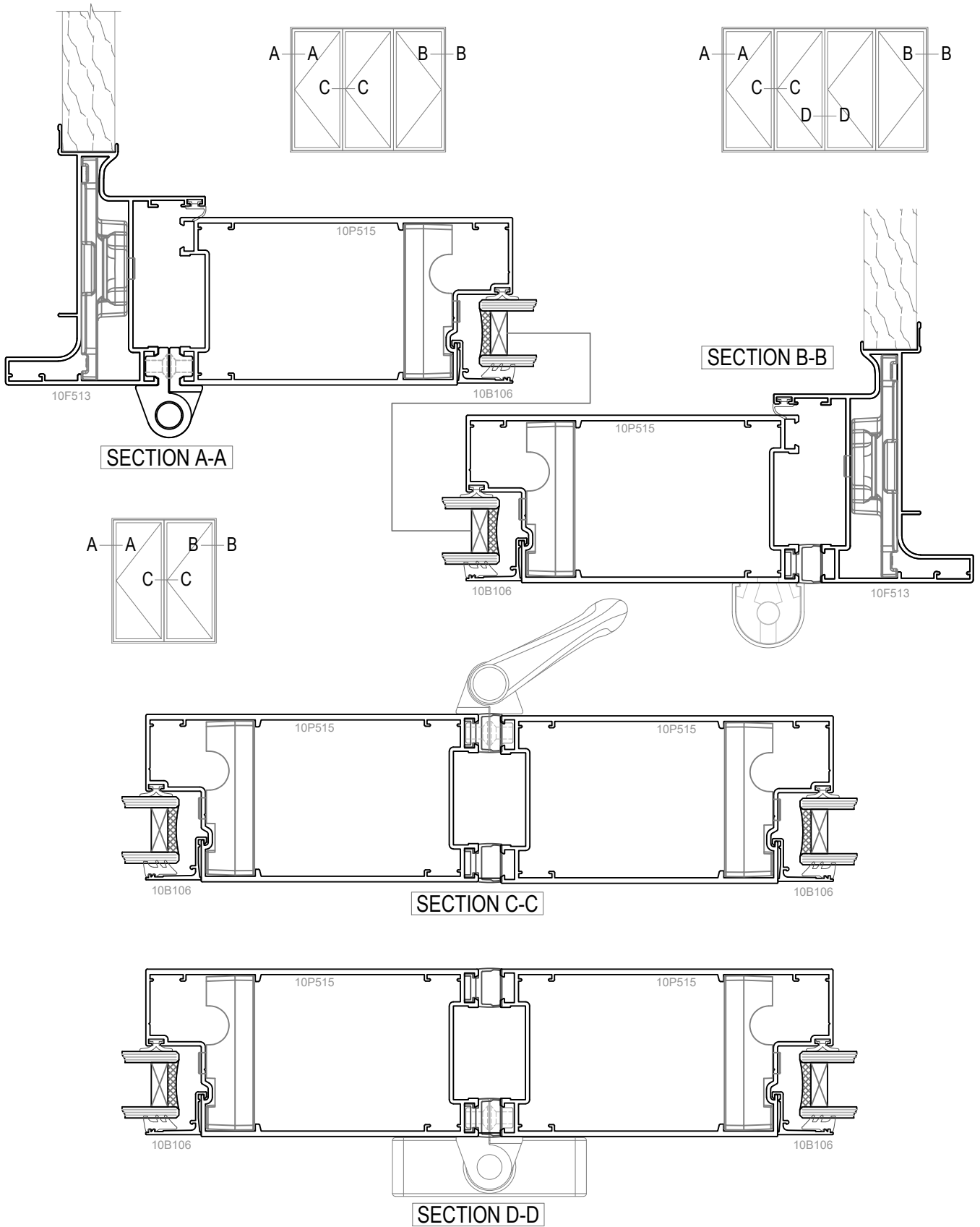


TOP HUNG HOODED GUIDE BI-FOLD DOOR - FREEFOLD

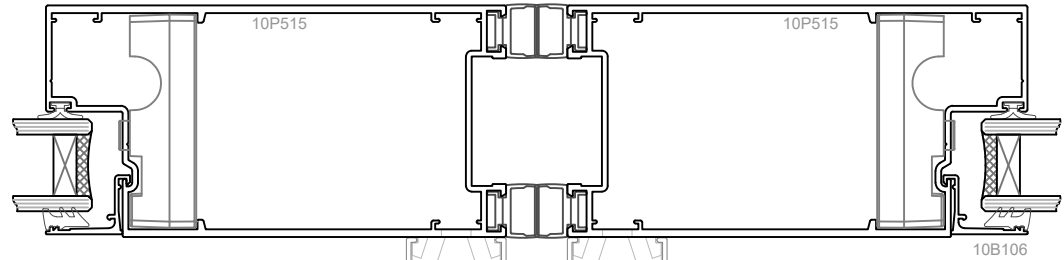
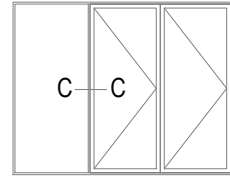
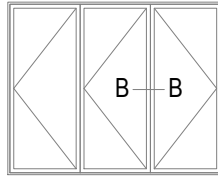
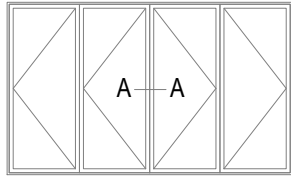


SECTION A-A

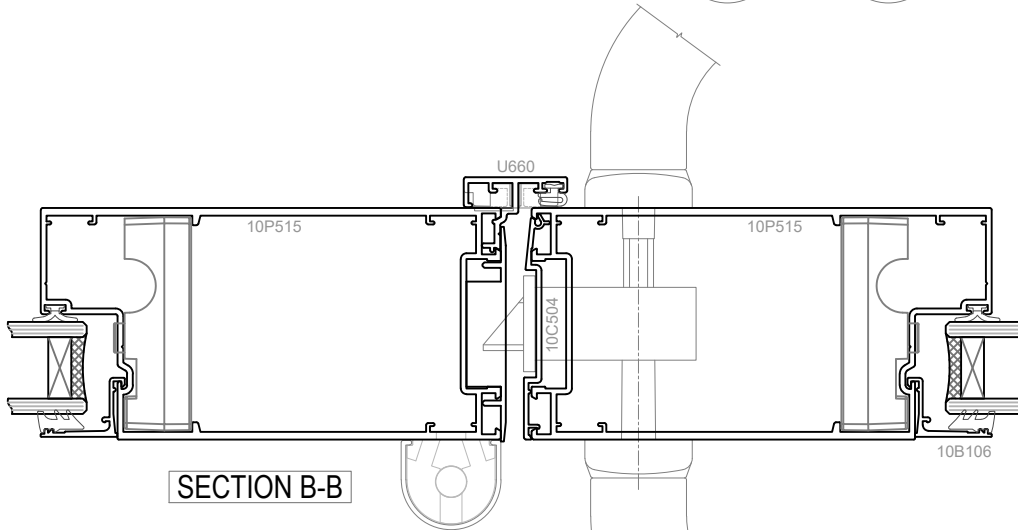
TOP HUNG NON-WEATHERED GUIDE BI-FOLD DOOR



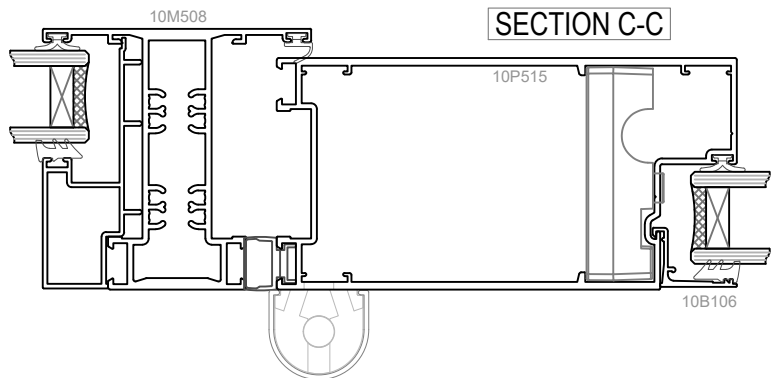
TOP HUNG NON-WEATHERED GUIDE BI-FOLD DOOR



SECTION A-A

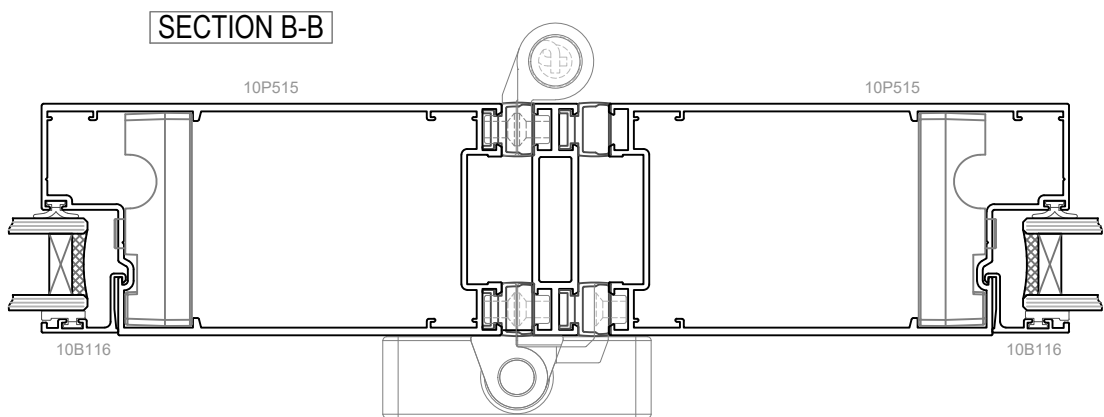
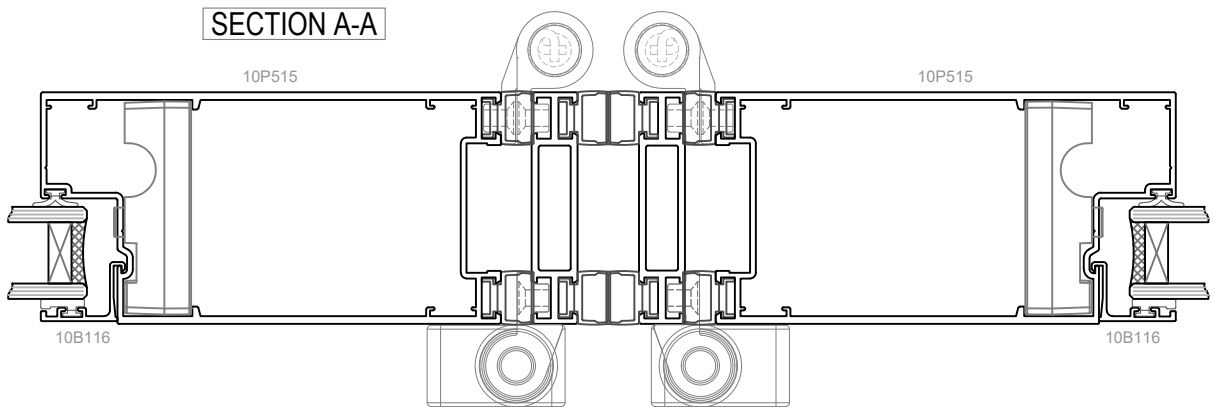
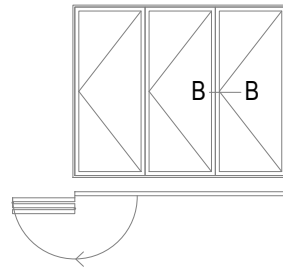
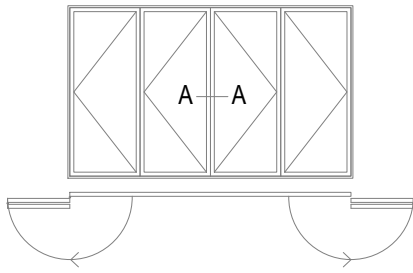


SECTION B-B

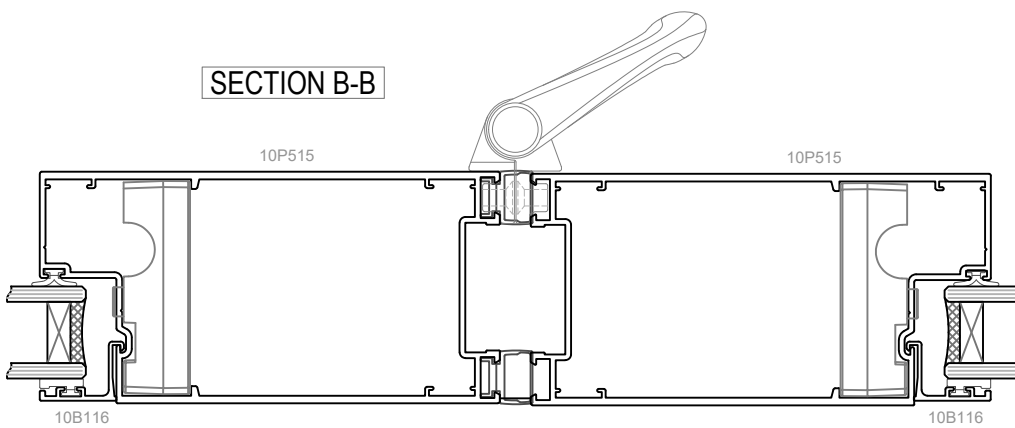
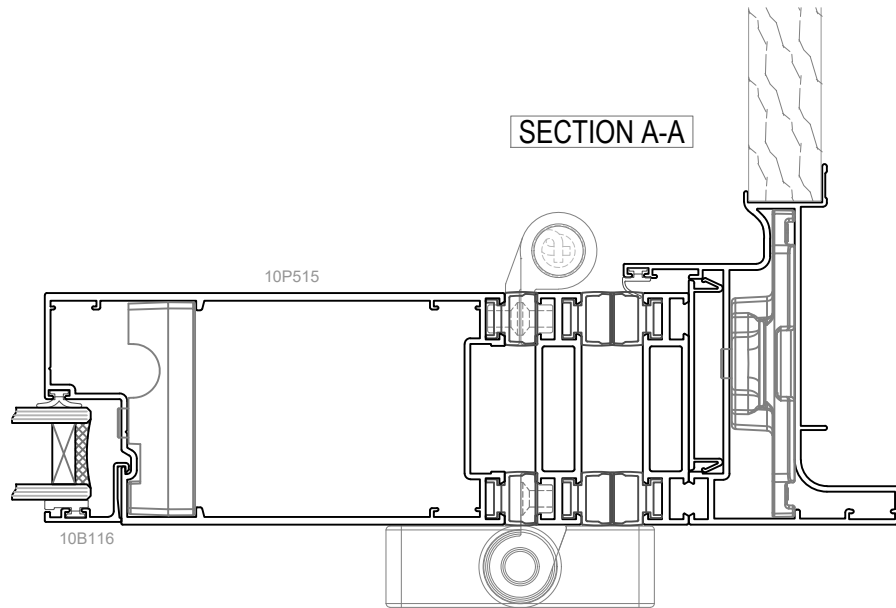
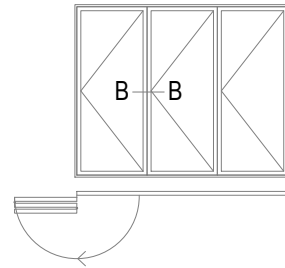
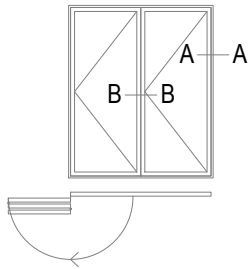


SECTION C-C

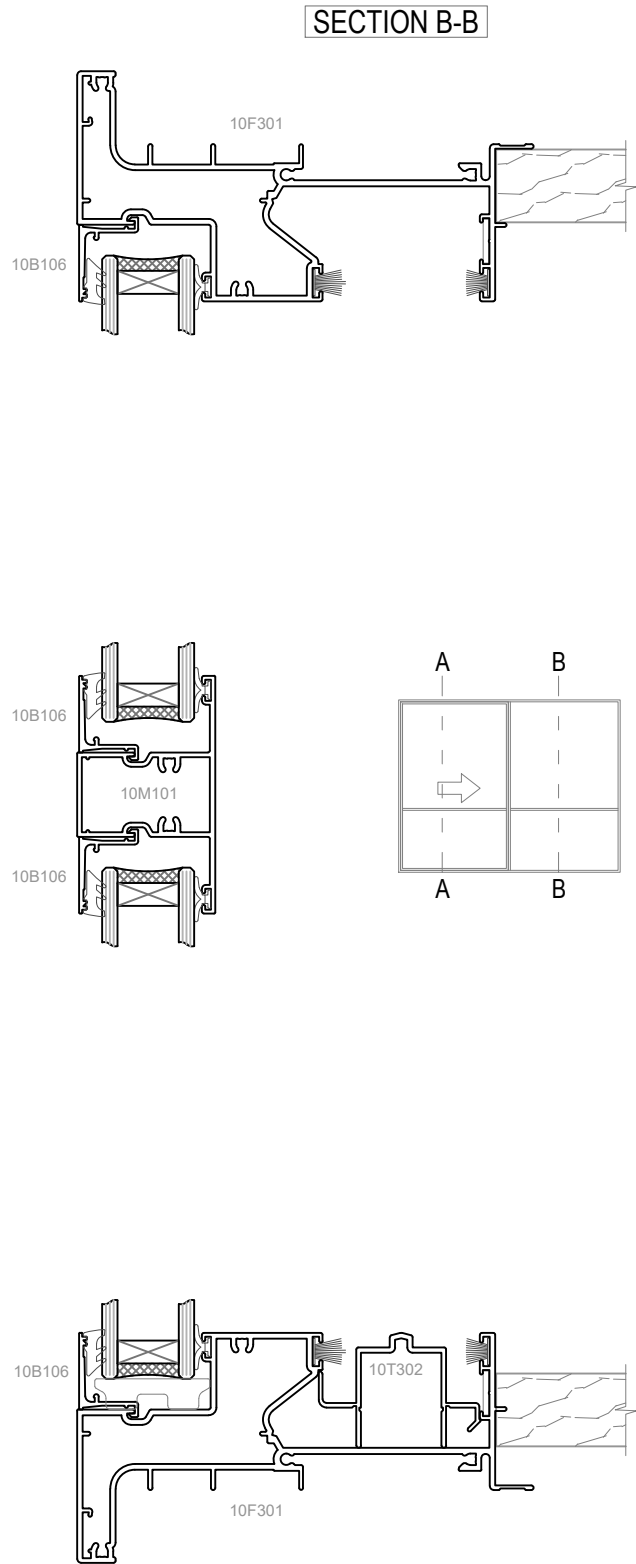
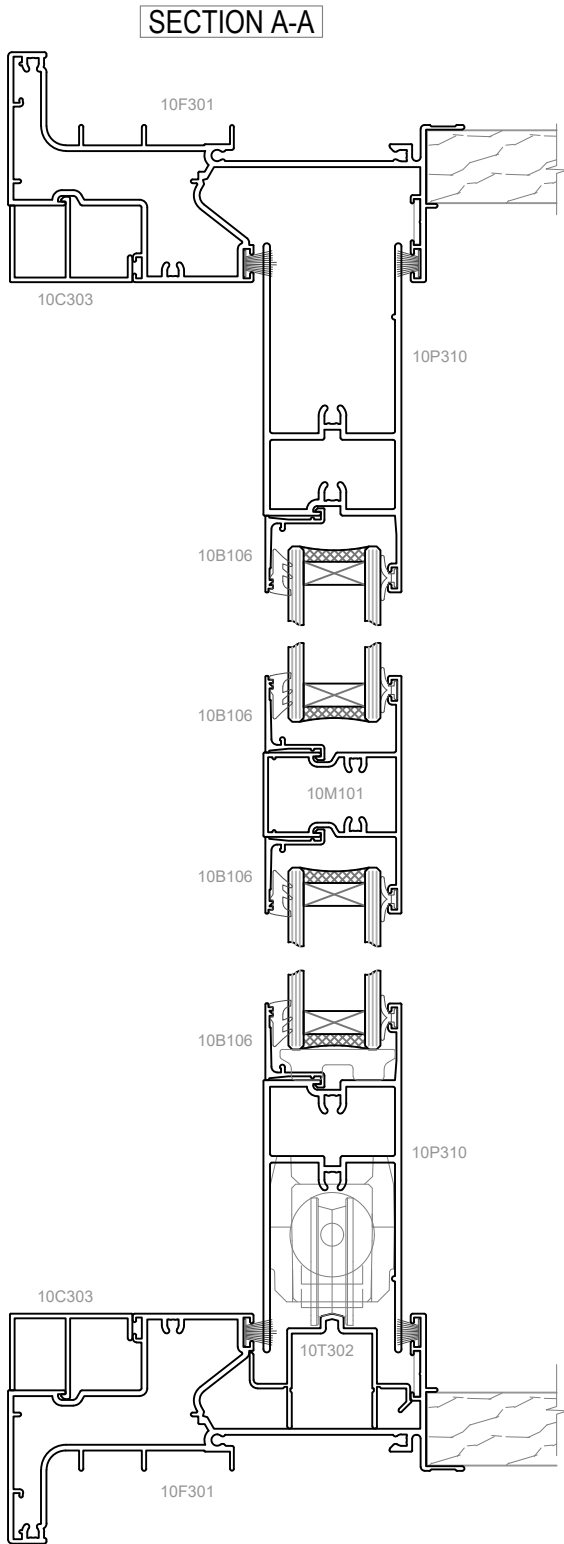
TOP HUNG NON-WEATHERED GUIDE BI-FOLD DOOR



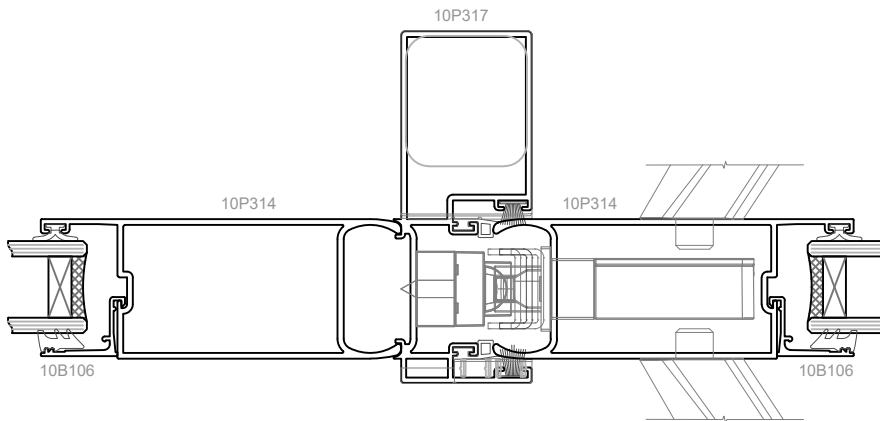
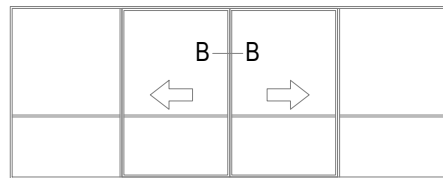
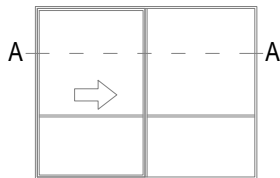
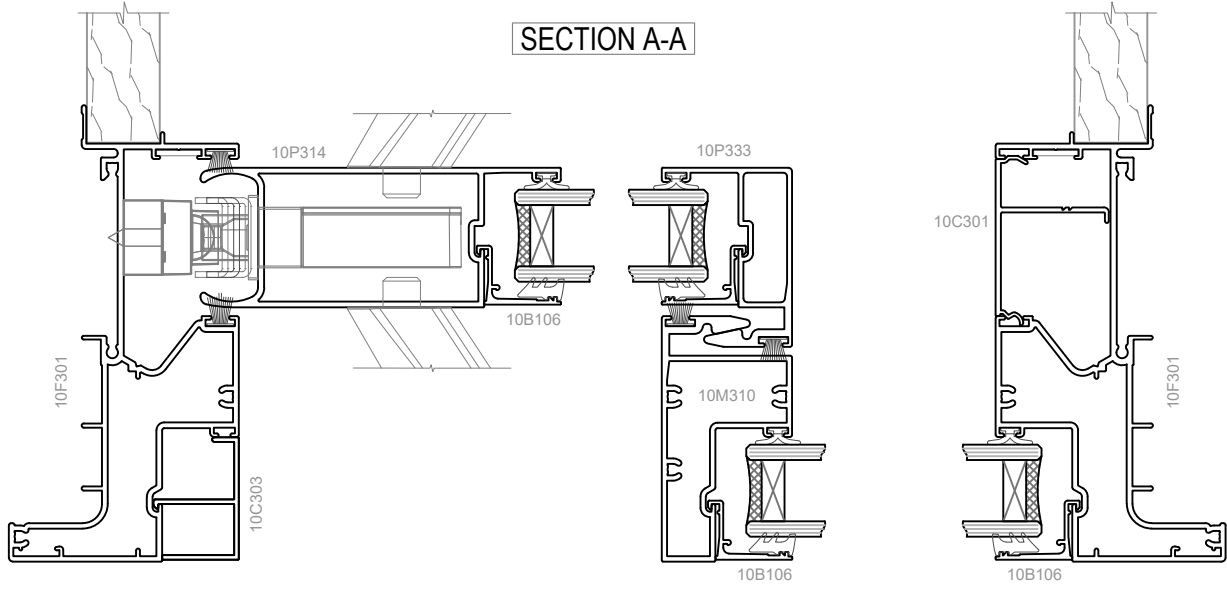
TOP HUNG NON-WEATHERED GUIDE BI-FOLD DOOR - FREEFOLD



TOP HUNG NON-WEATHERED GUIDE BI-FOLD DOOR - FREEFOLD

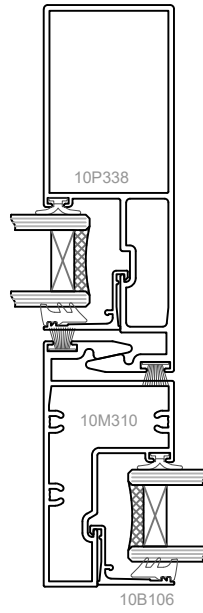
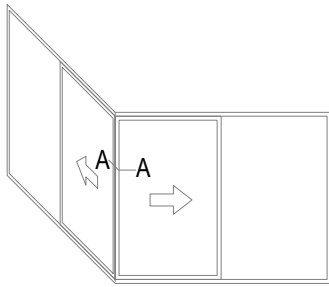


SLIDING DOOR

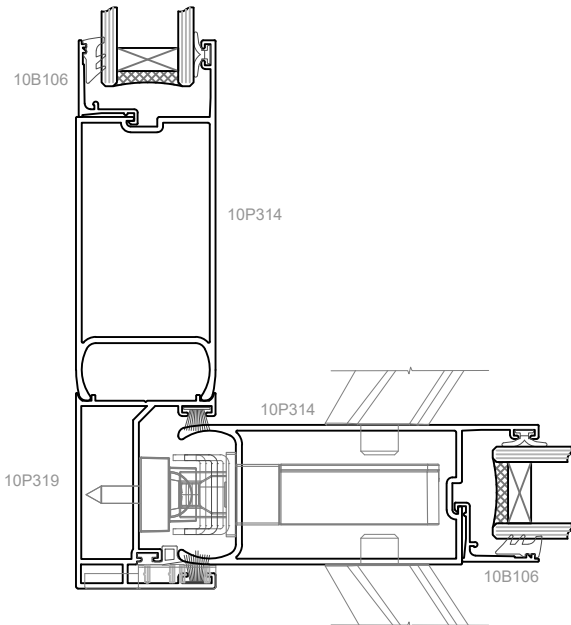


SECTION B-B

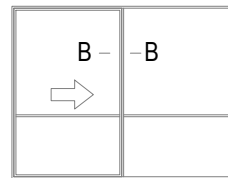
SLIDING DOOR



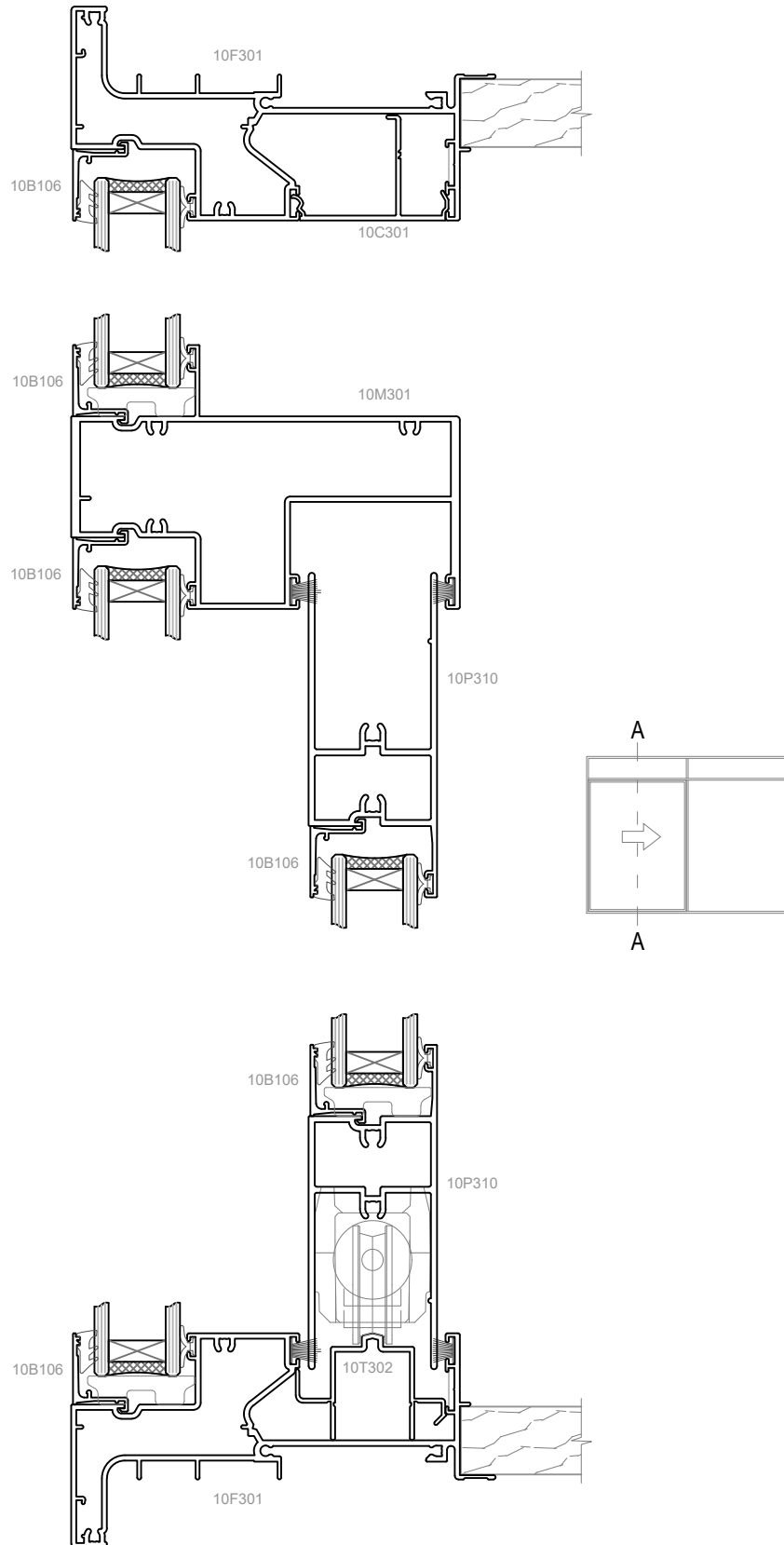
SECTION B-B



SECTION A-A

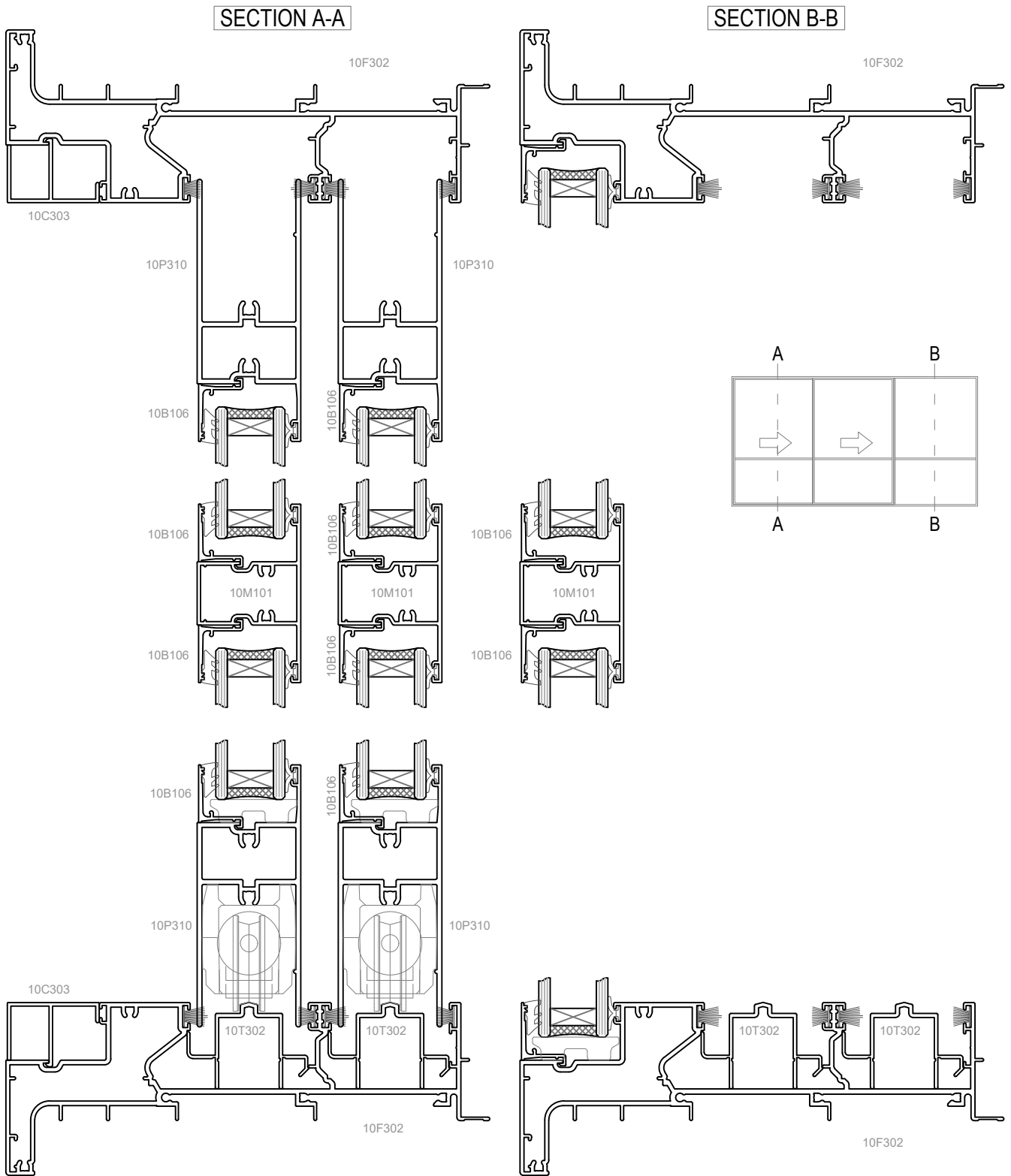


SLIDING DOOR

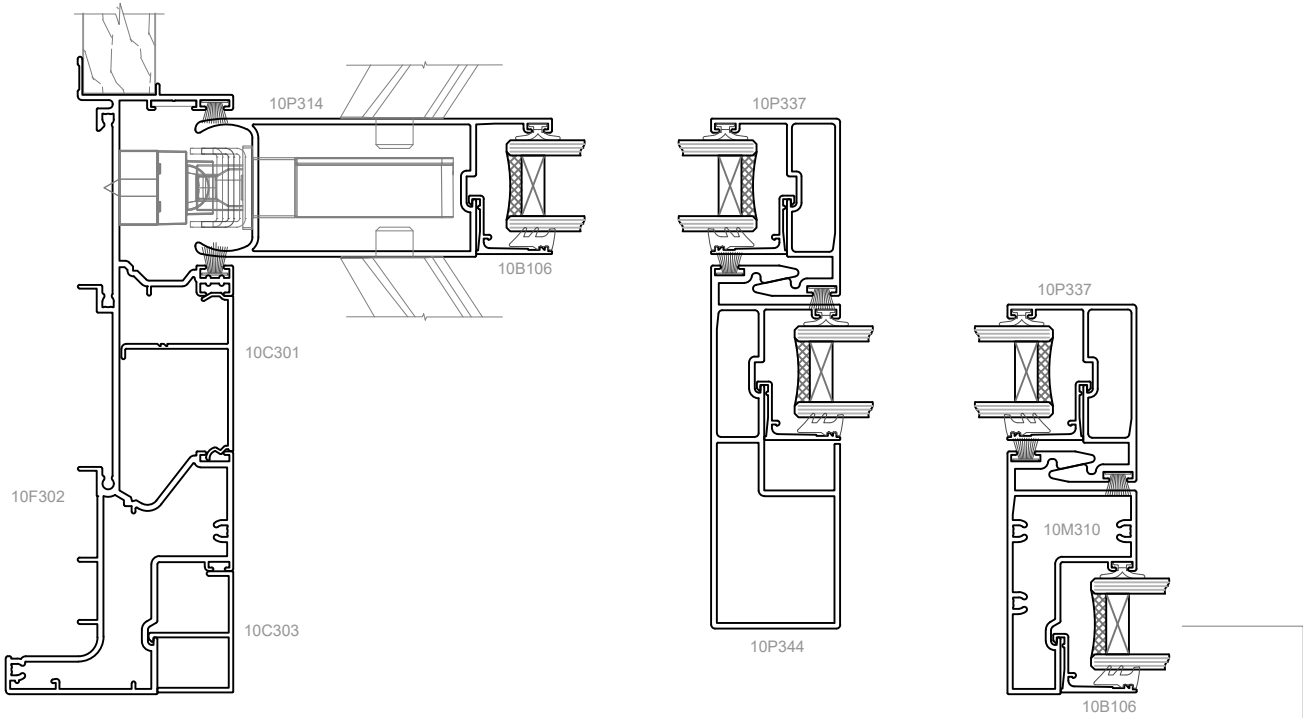


SECTION A-A

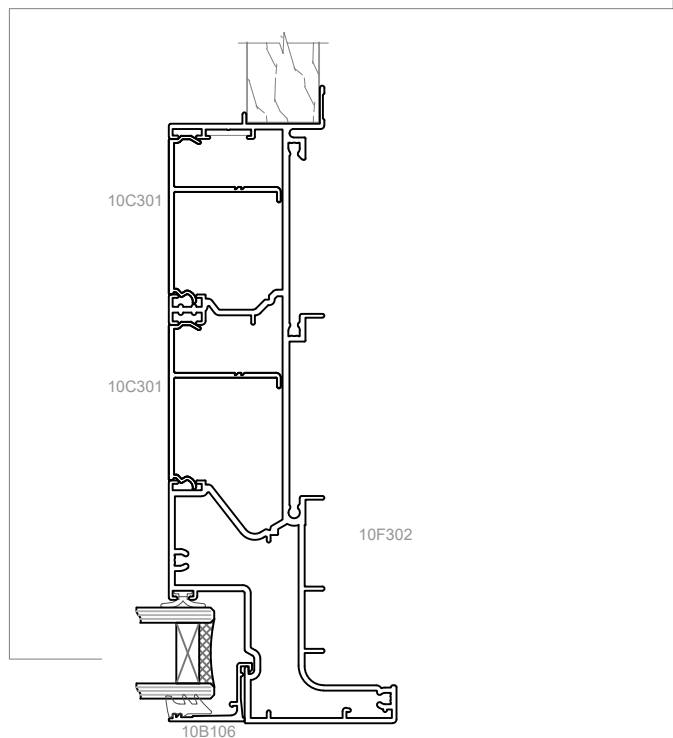
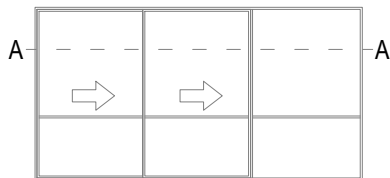
SLIDING DOOR



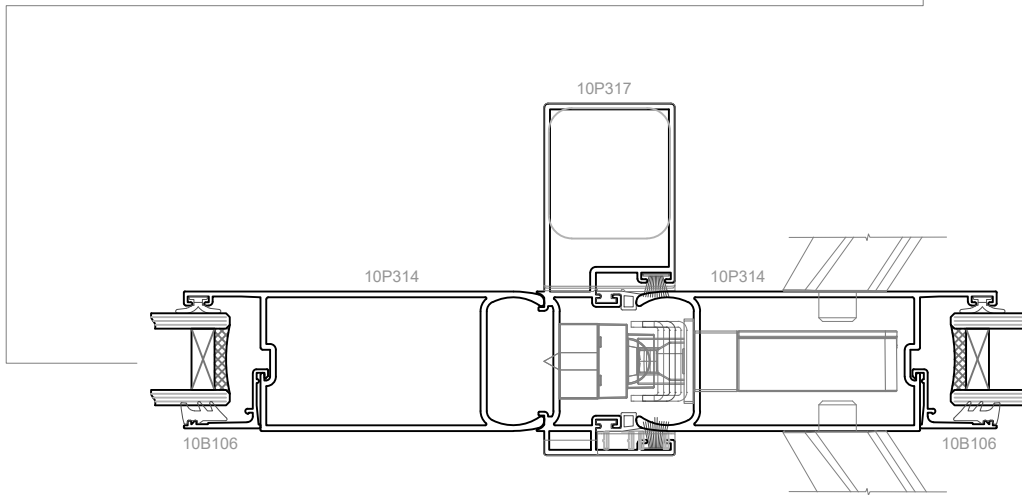
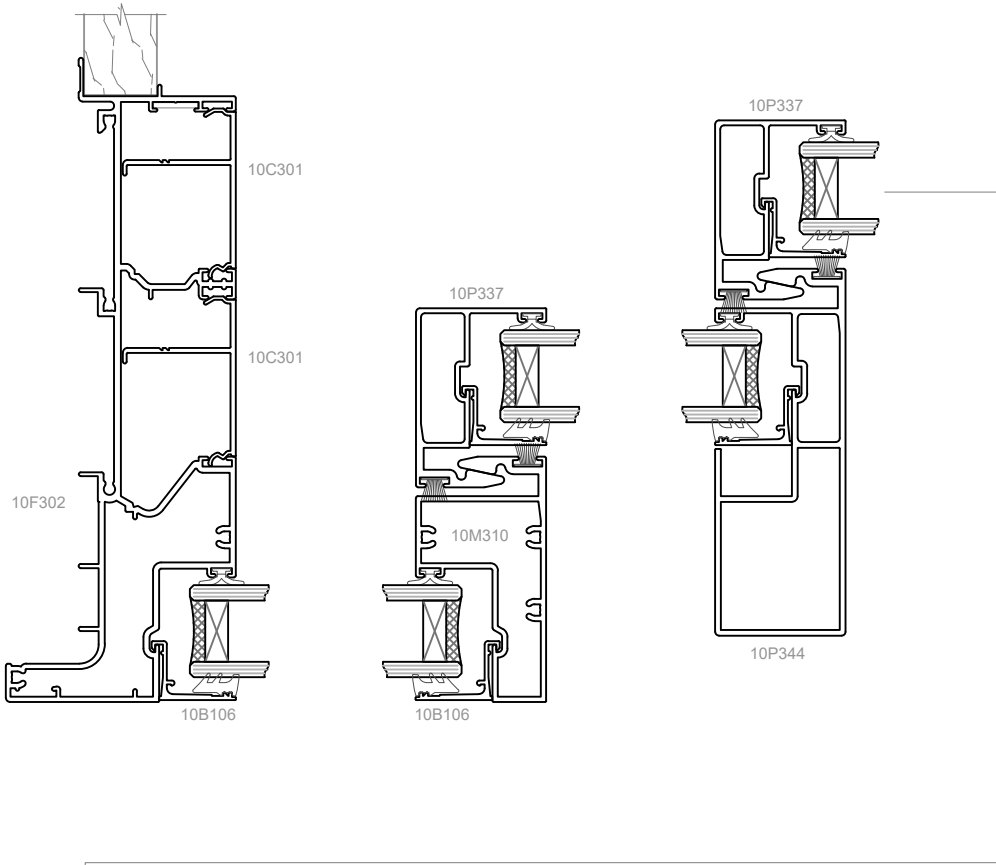
STACKING DOOR



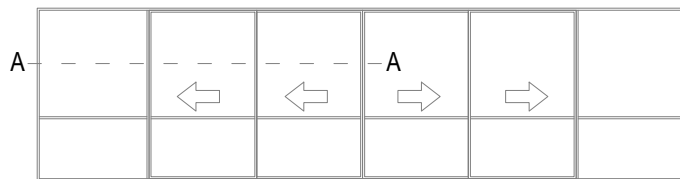
SECTION A-A



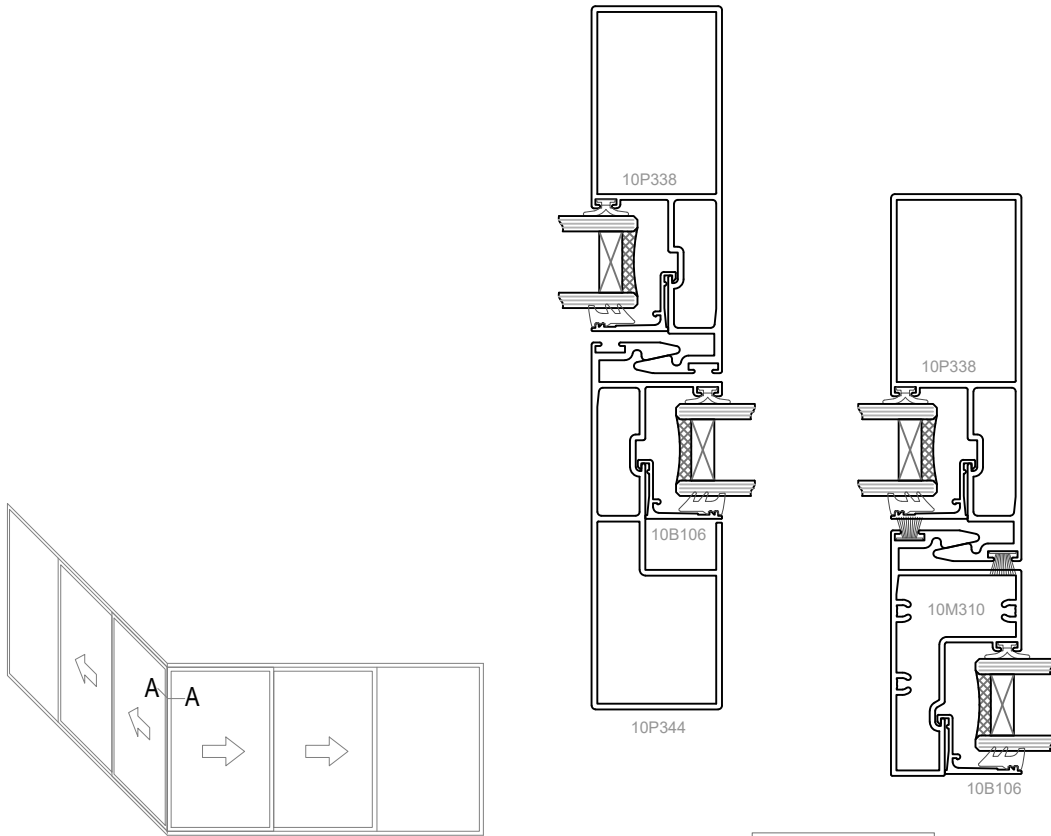
STACKING DOOR



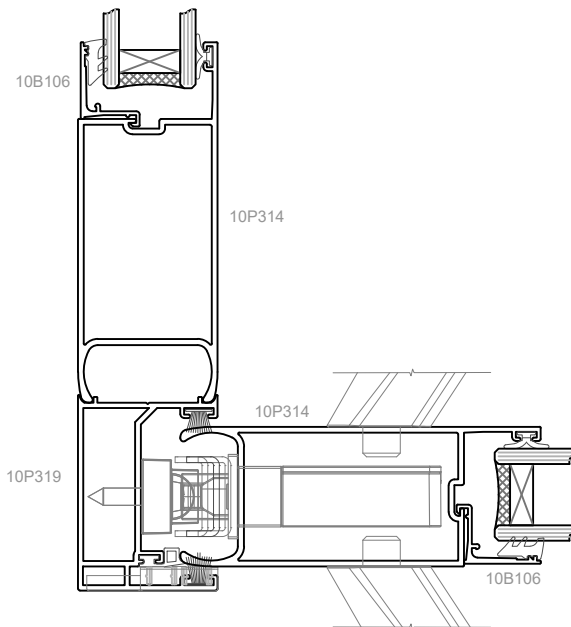
SECTION A-A



STACKING DOOR

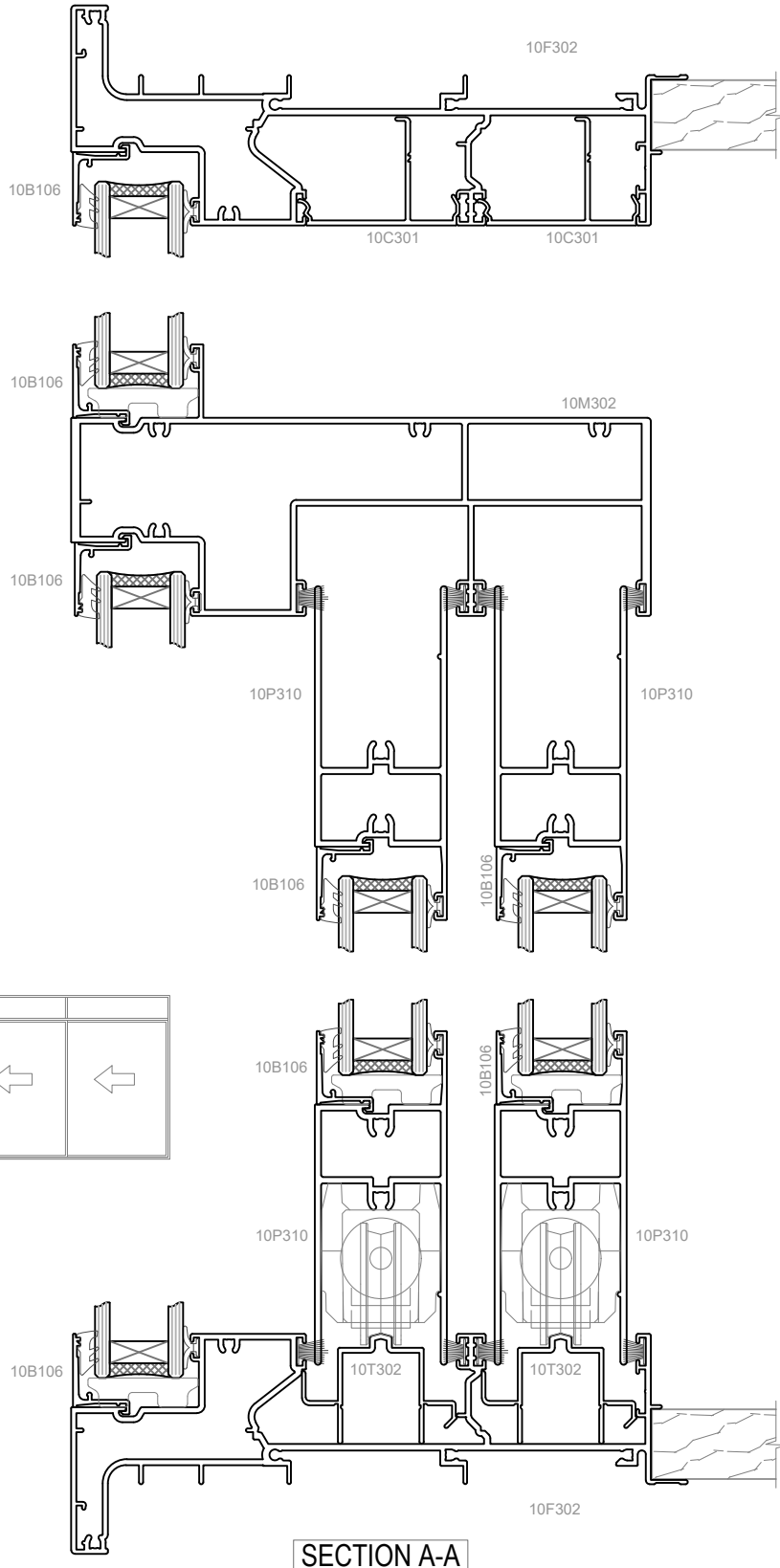


SECTION B-B

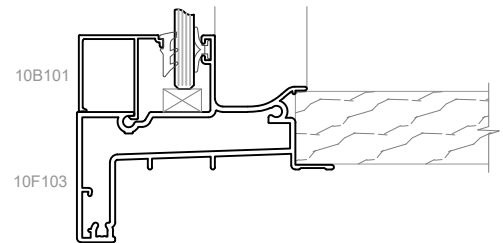
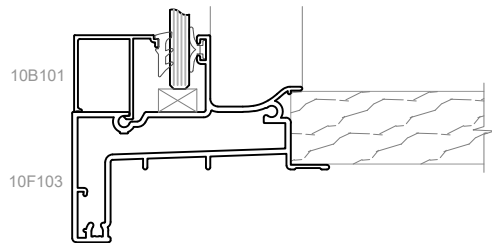
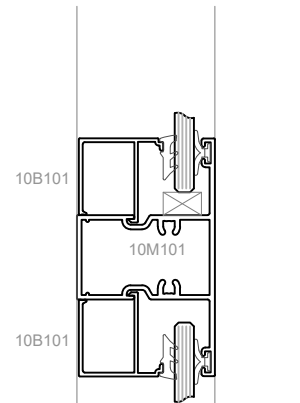
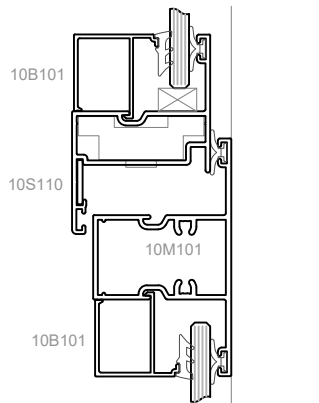
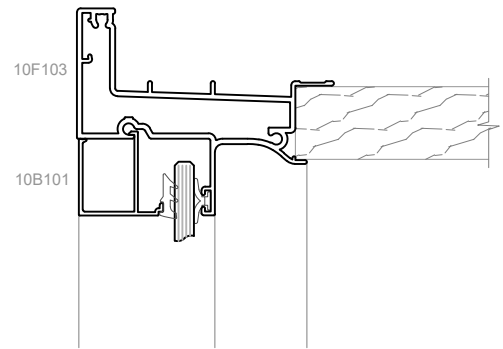
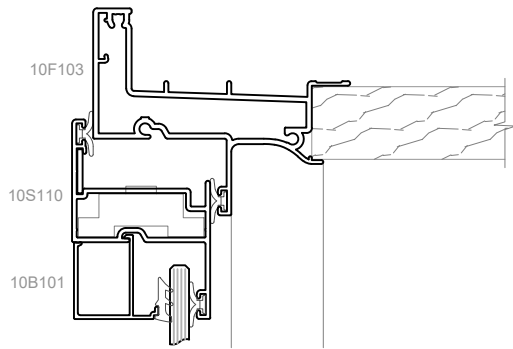
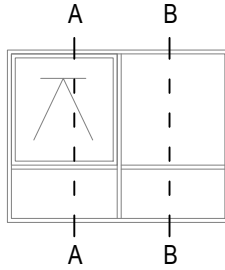


SECTION A-A

STACKING DOOR



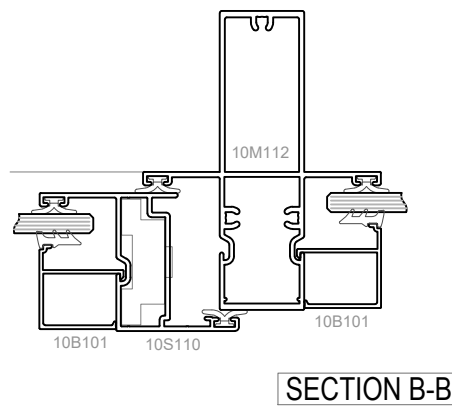
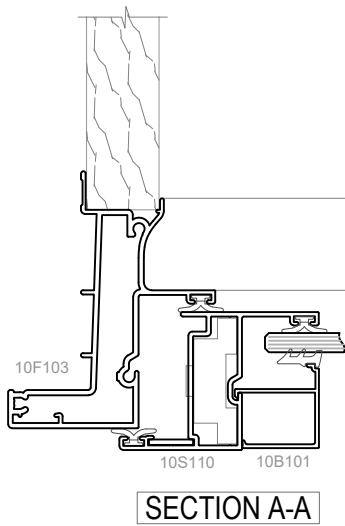
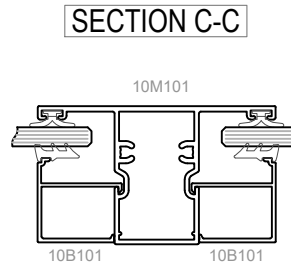
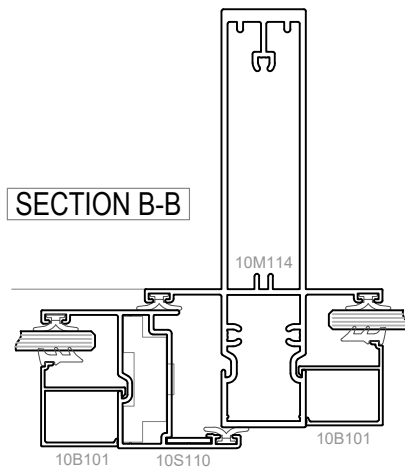
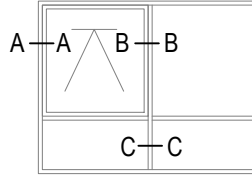
STACKING DOOR



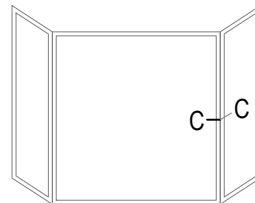
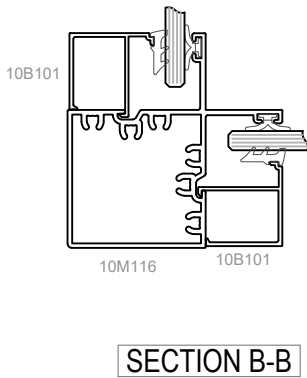
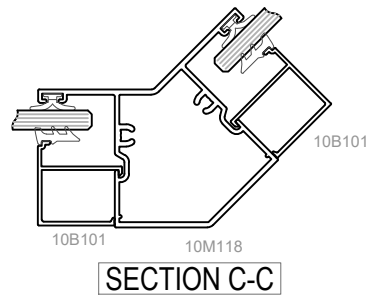
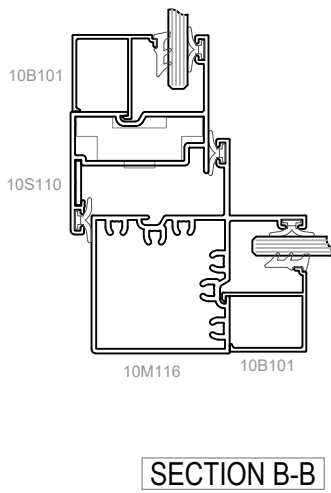
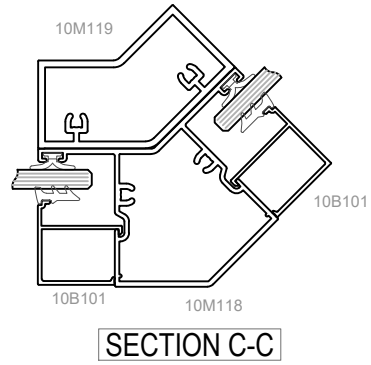
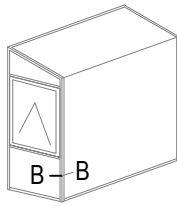
SECTION A-A

SECTION B-B

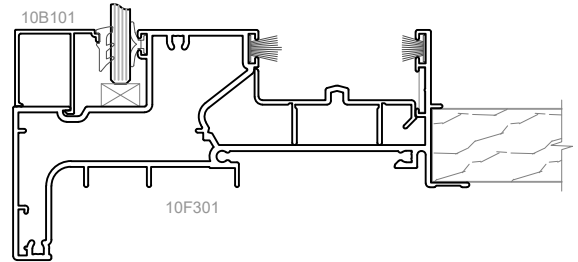
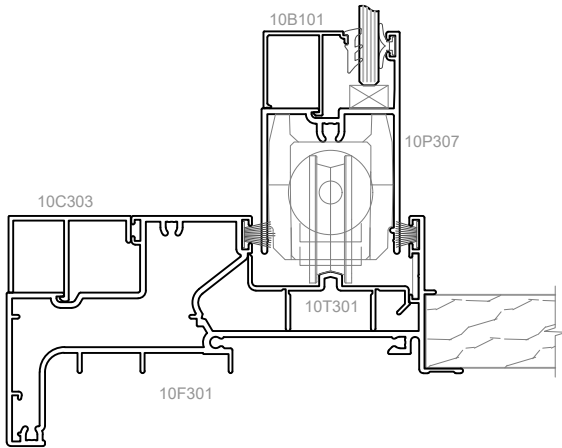
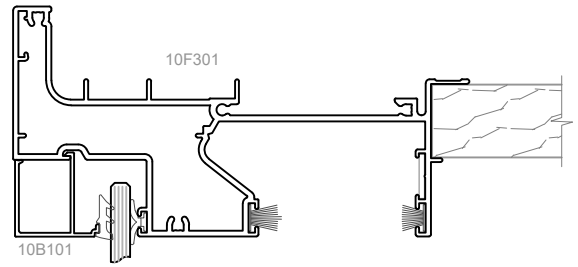
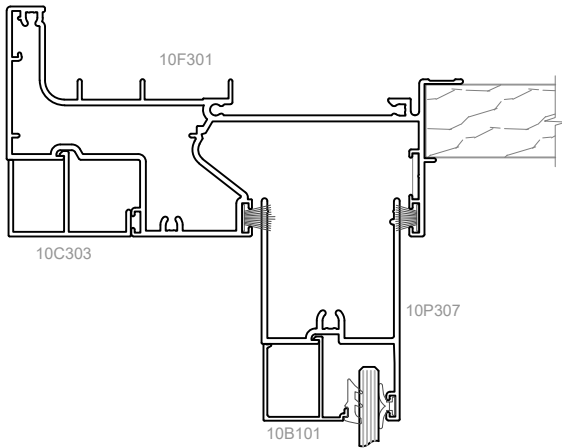
AWNING / CASEMENT WINDOW



AWNING / CASEMENT WINDOW

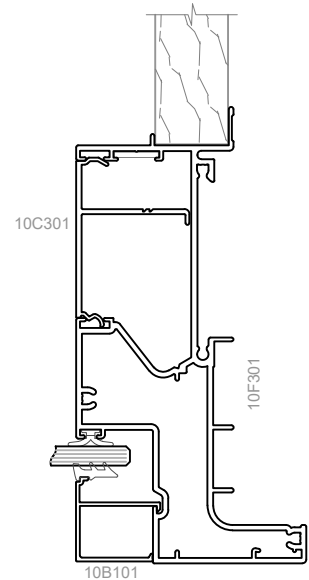
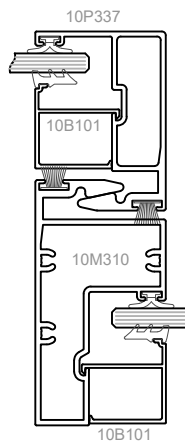
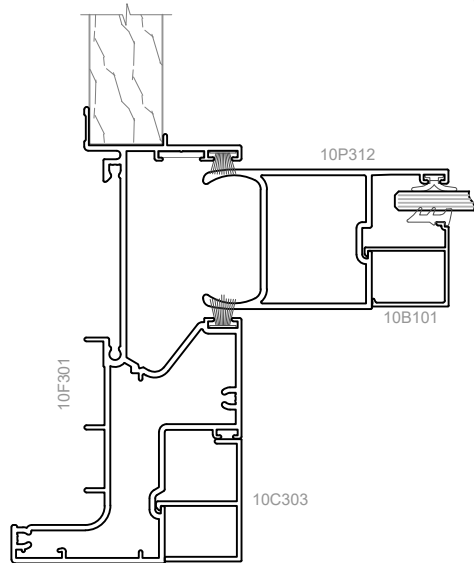
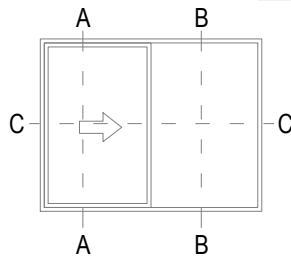


AWNING / CASEMENT WINDOW



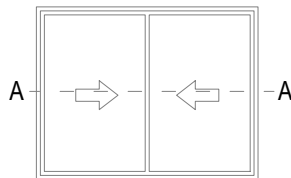
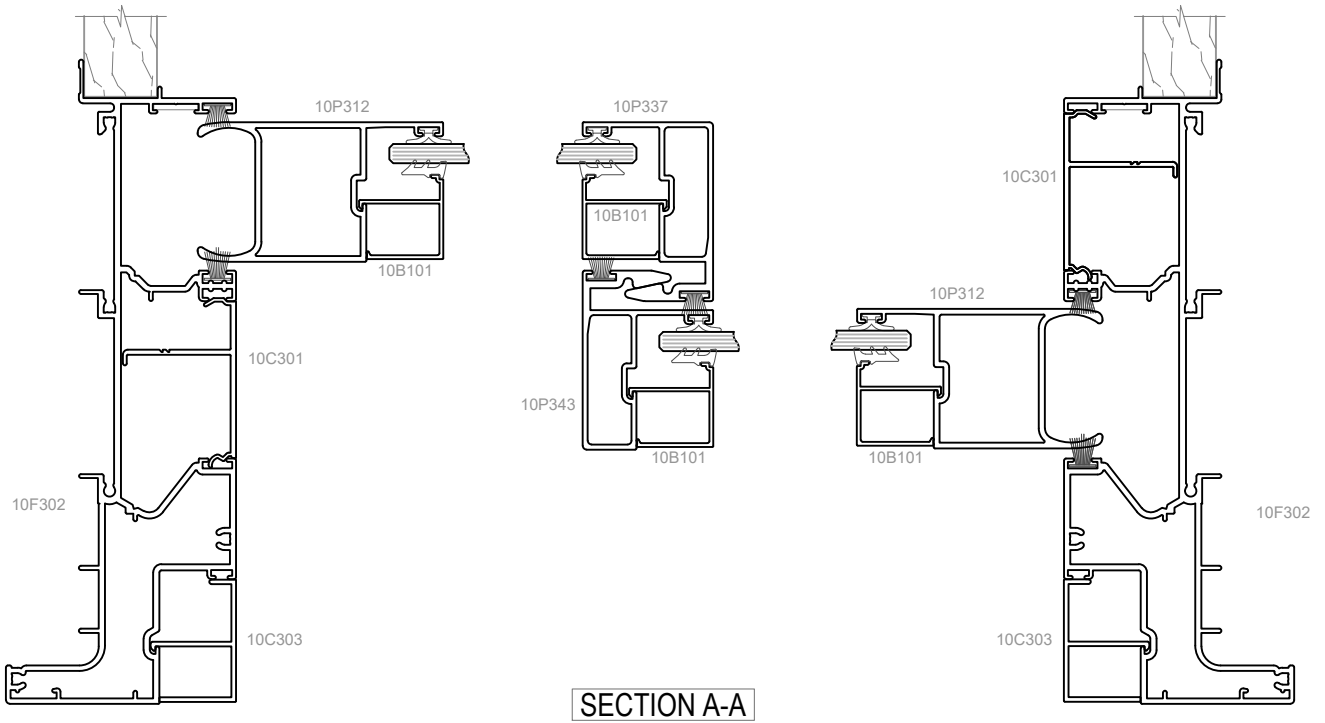
SECTION A-A

SECTION B-B

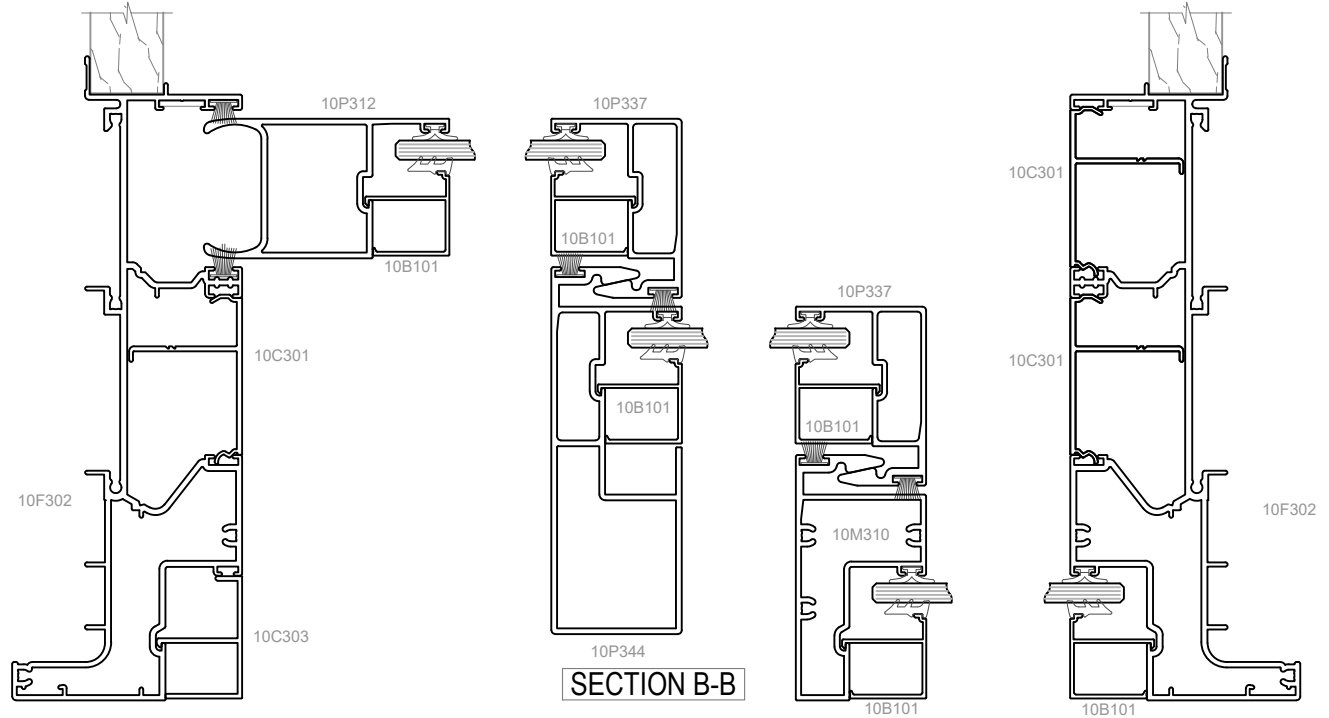
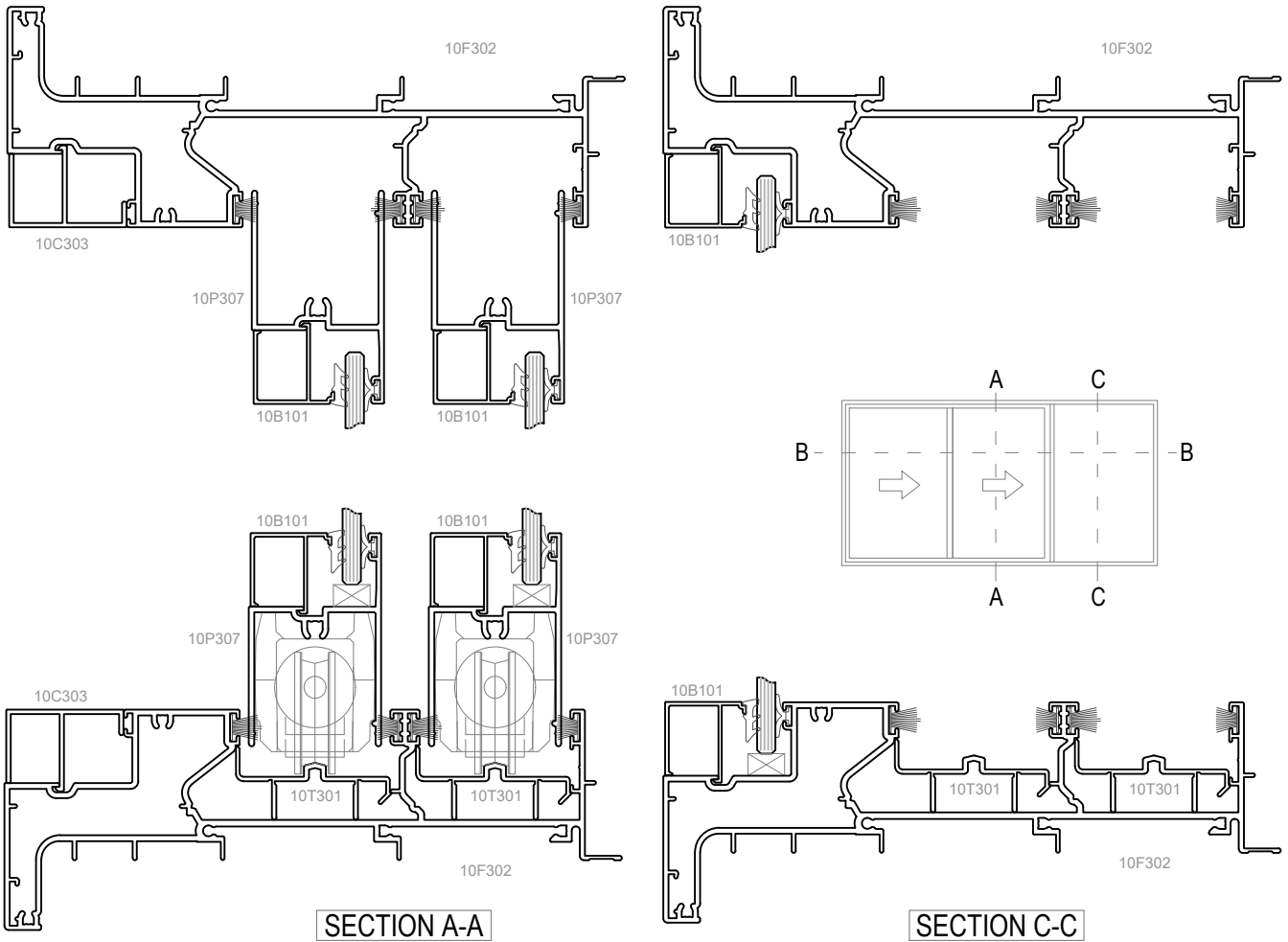


SECTION C-C

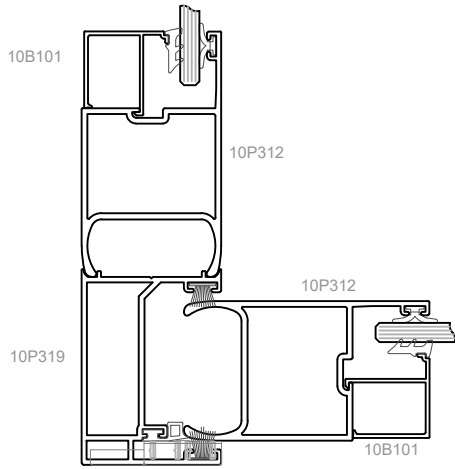
HORIZONTAL SLIDING WINDOW



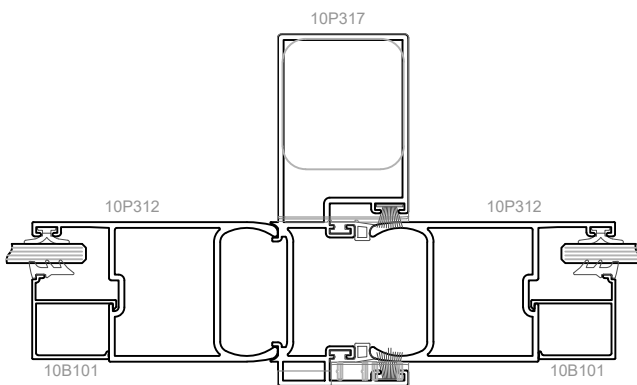
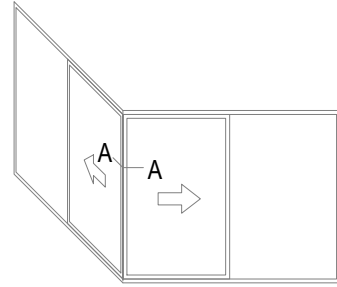
HORIZONTAL SLIDING WINDOW



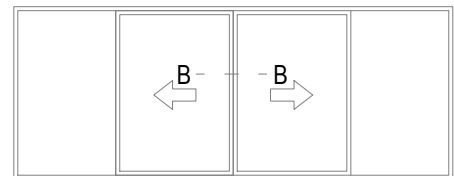
HORIZONTAL SLIDING WINDOW



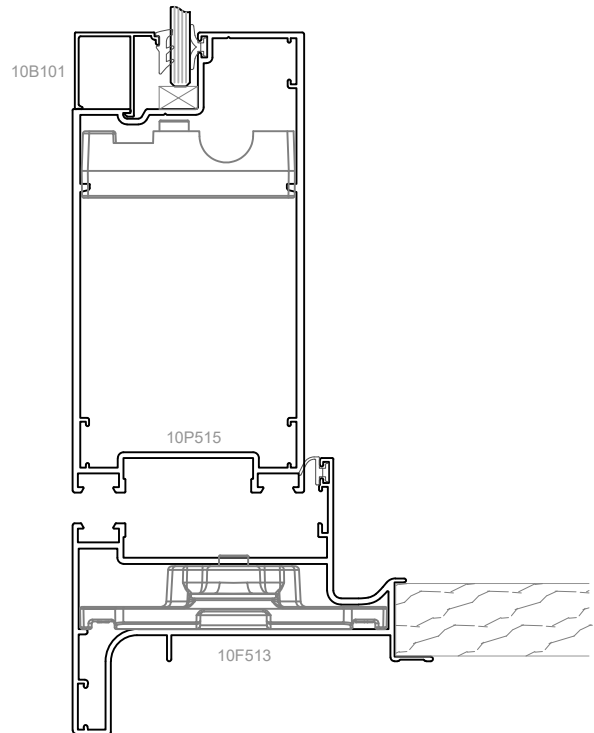
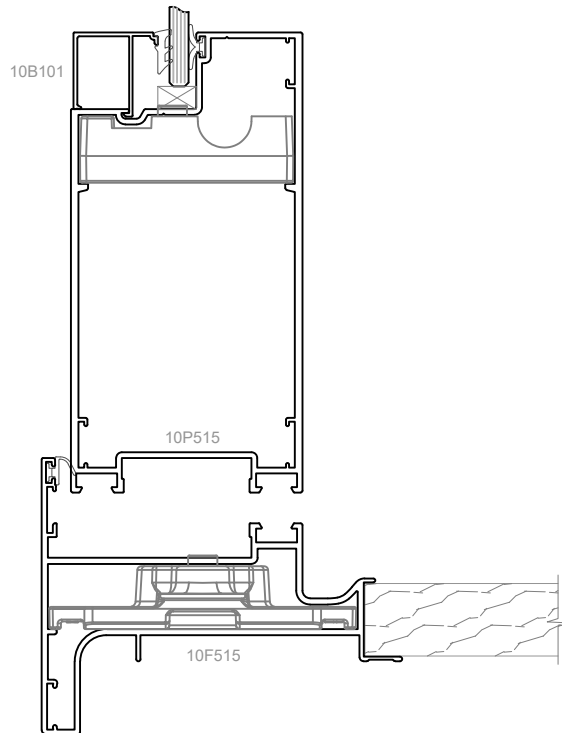
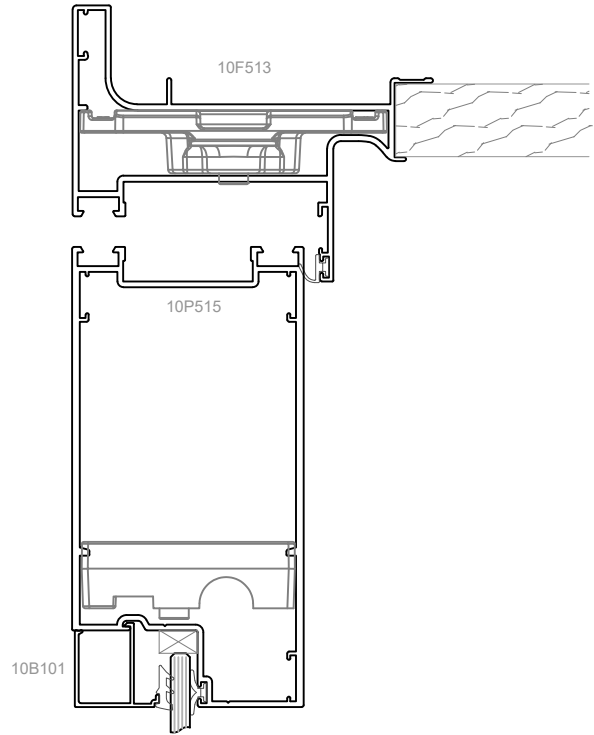
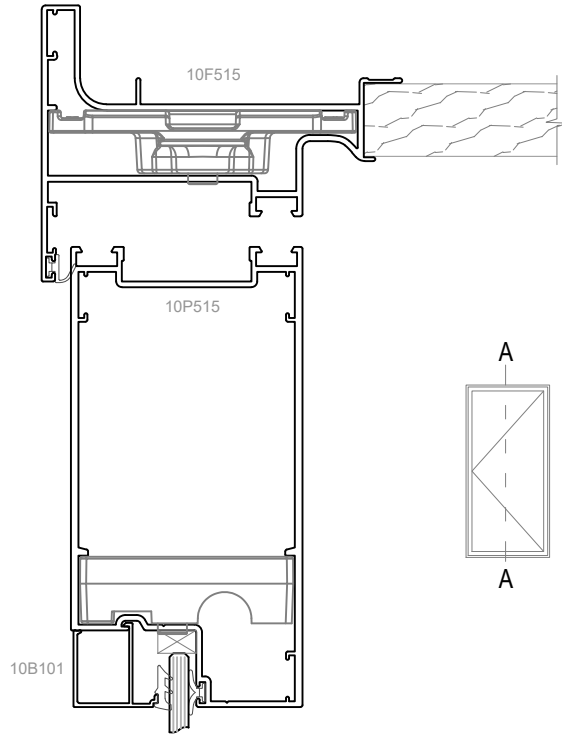
SECTION A-A



SECTION B-B



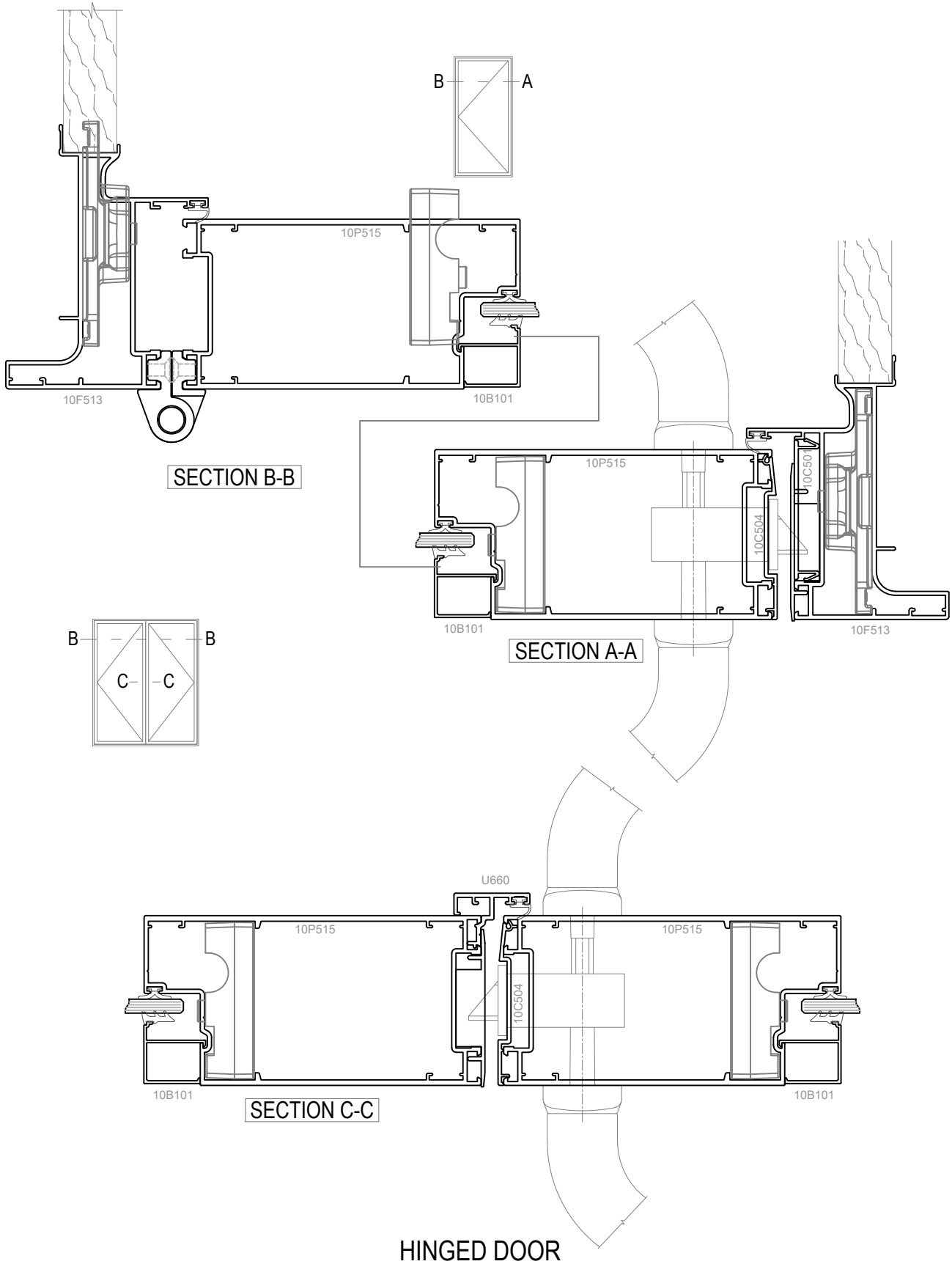
HORIZONTAL SLIDING WINDOW

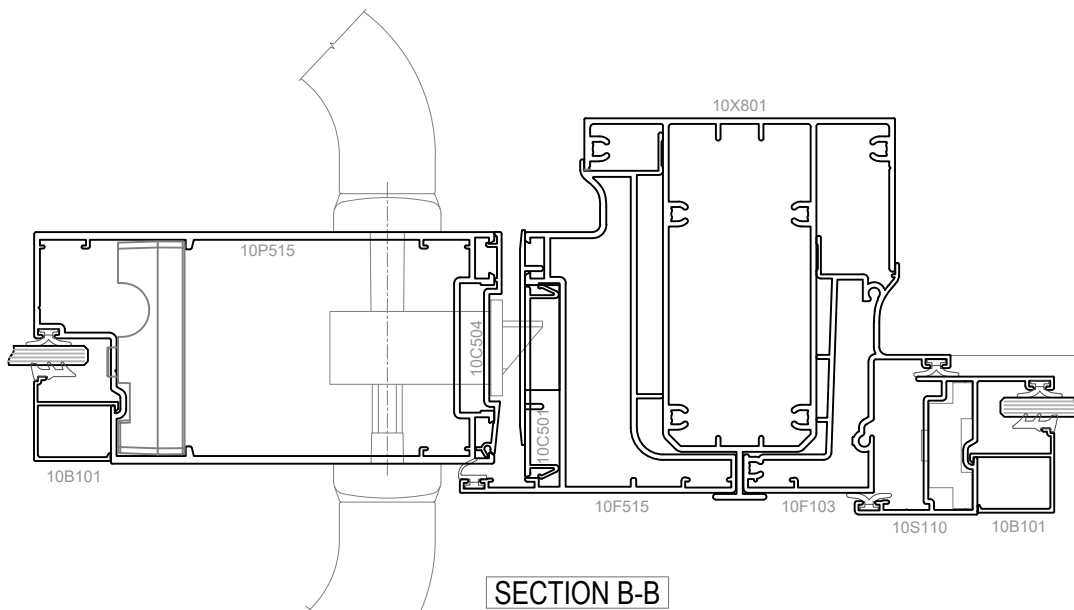
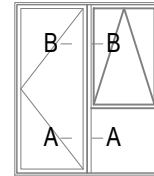
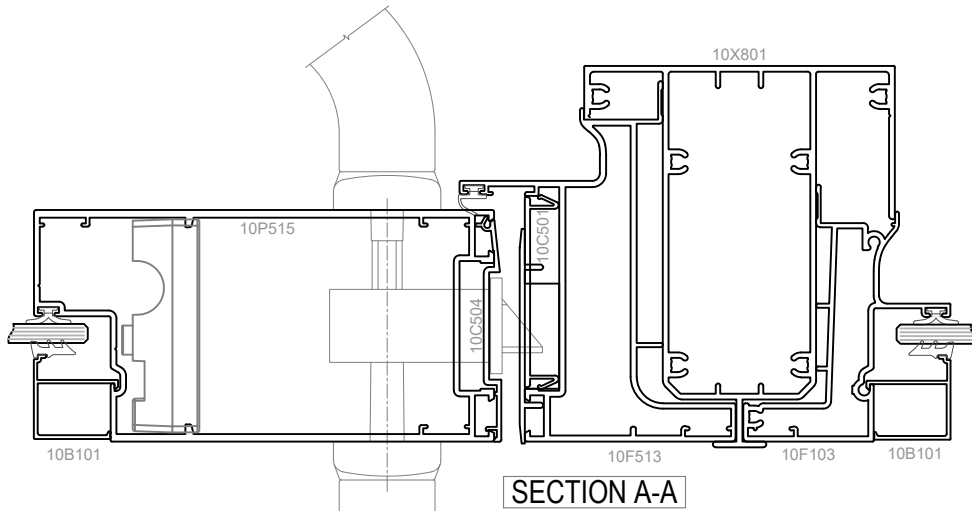


SECTION A-A

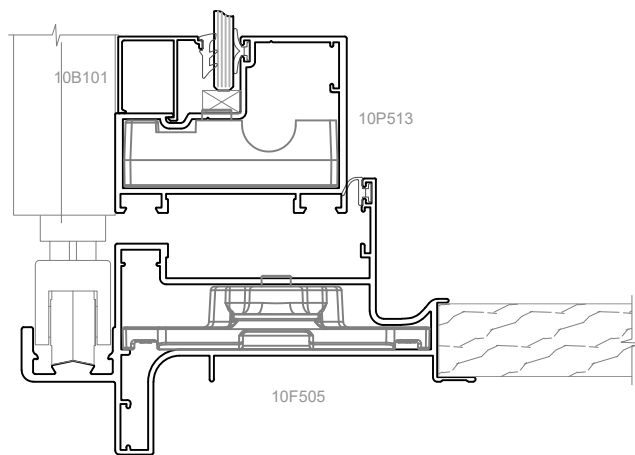
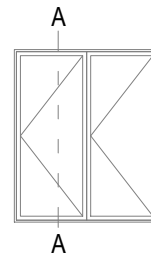
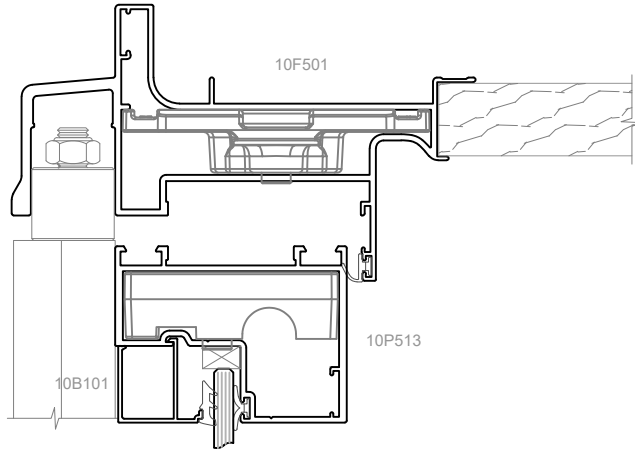
HINGED DOOR

SECTION A-A



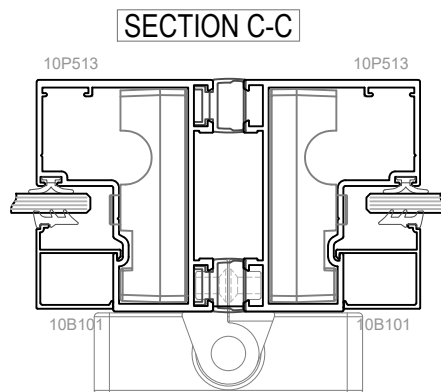
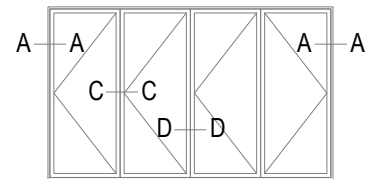
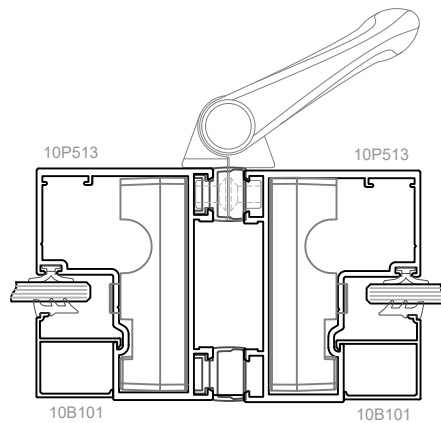
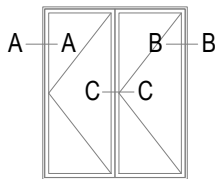
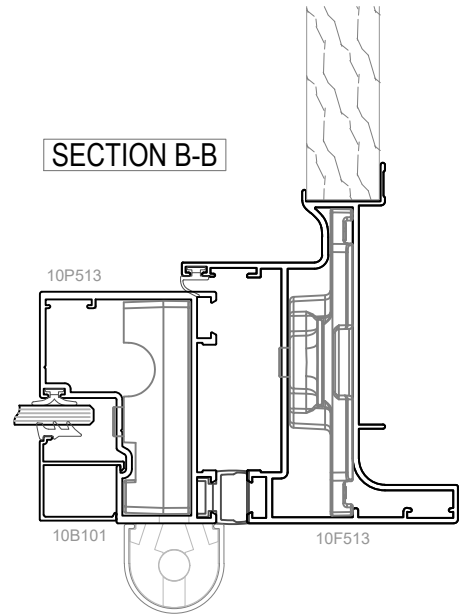
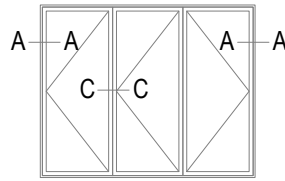
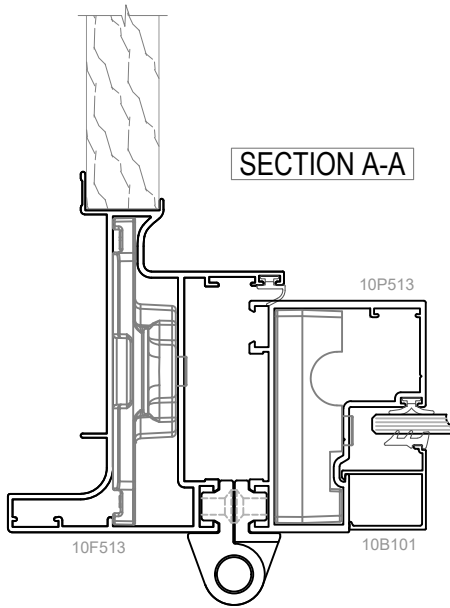


HINGED DOOR

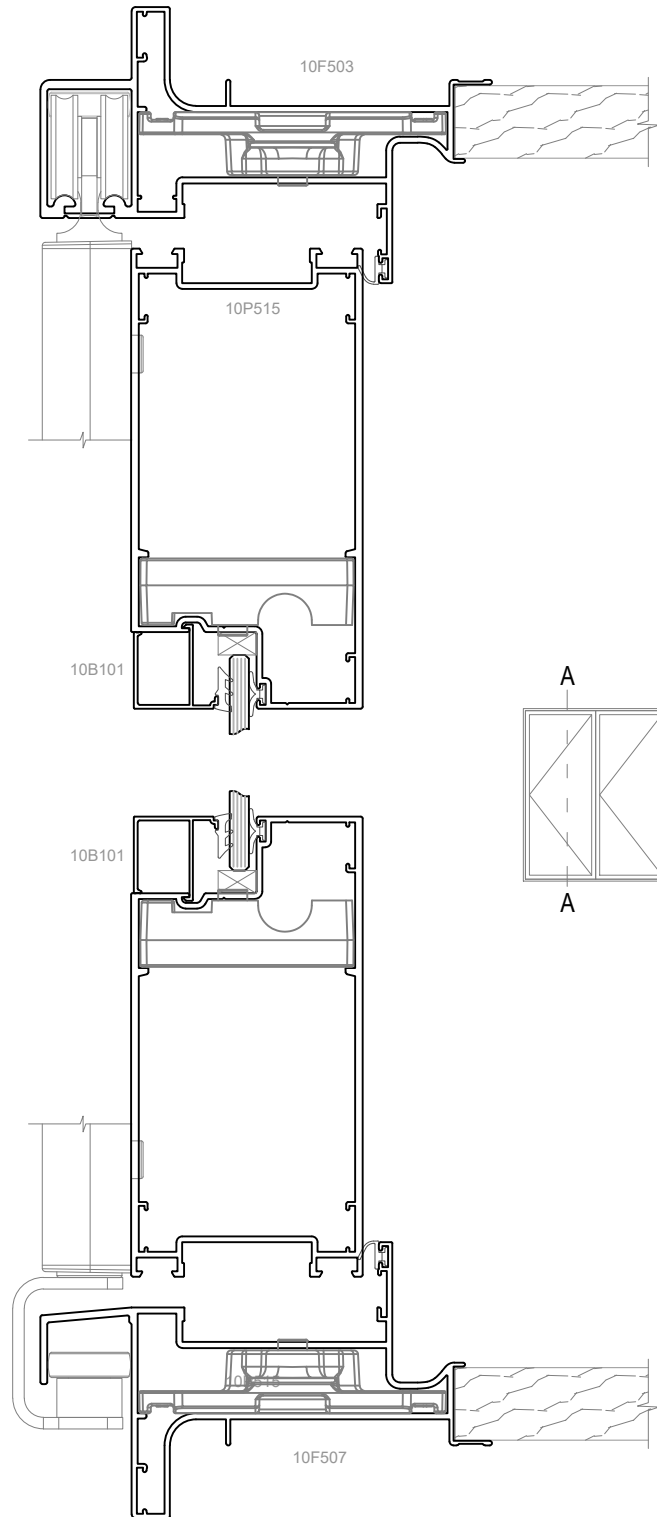


SECTION A-A

BI-FOLD WINDOW

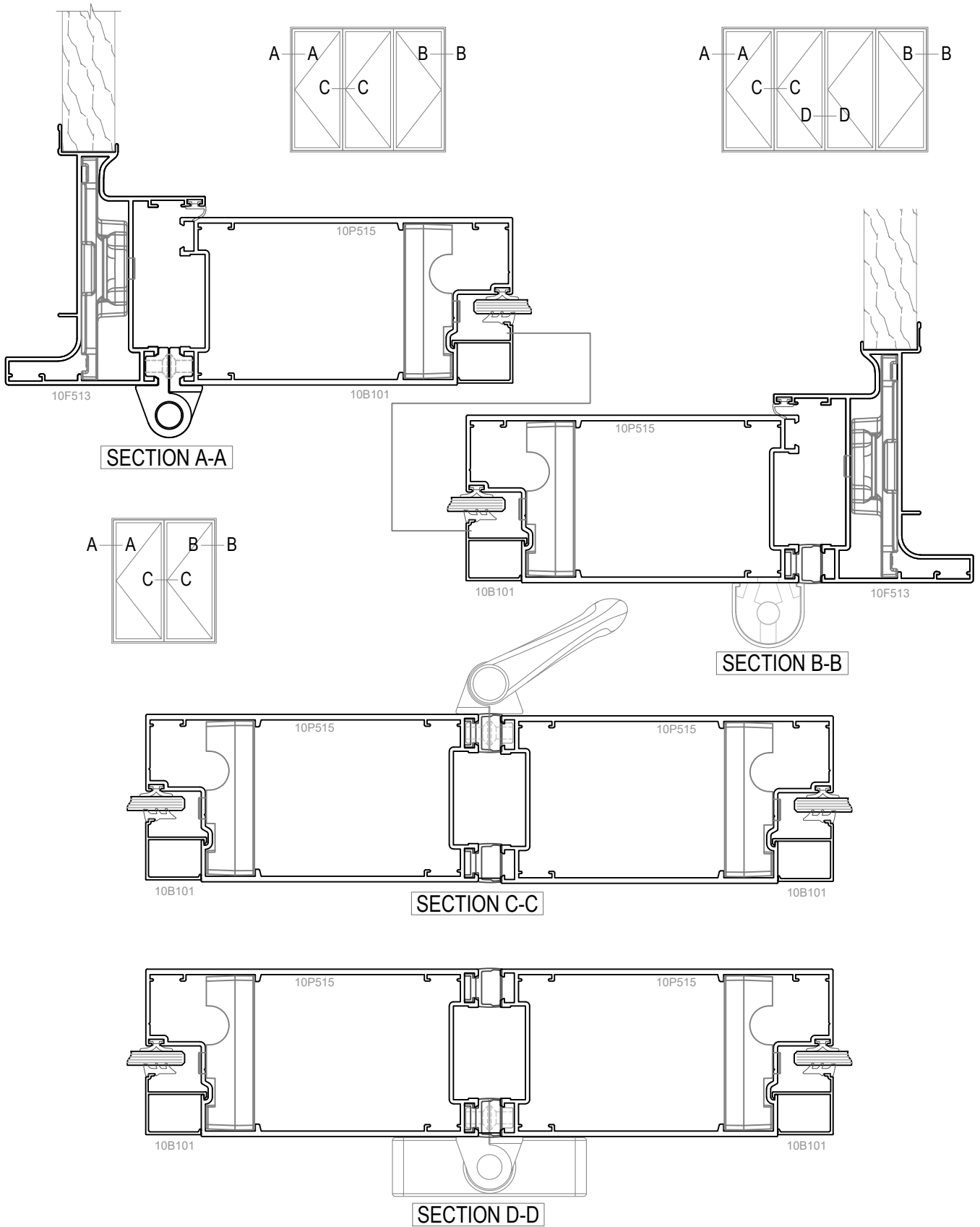


BI-FOLD WINDOW

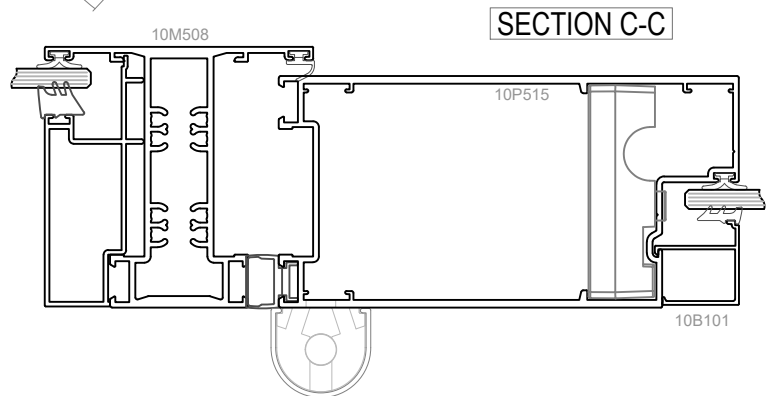
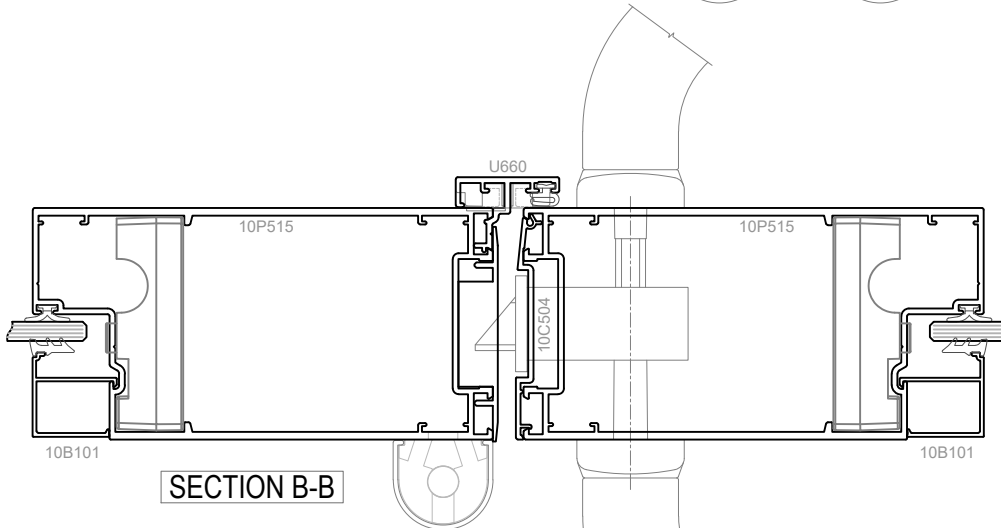
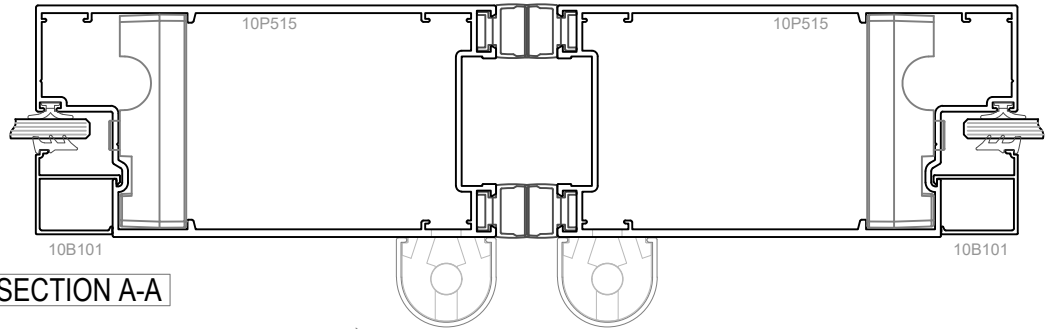
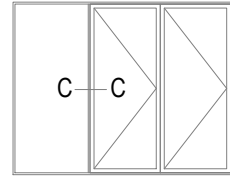
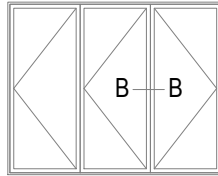
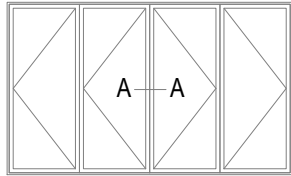


SECTION A-A

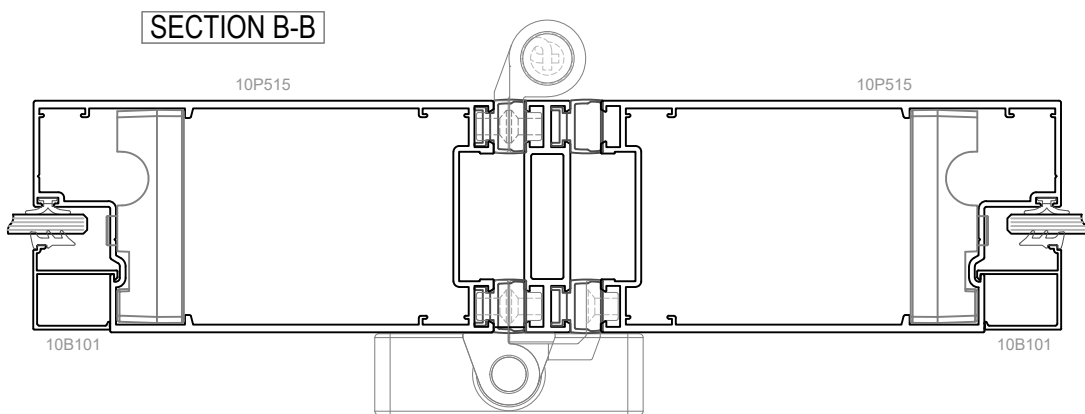
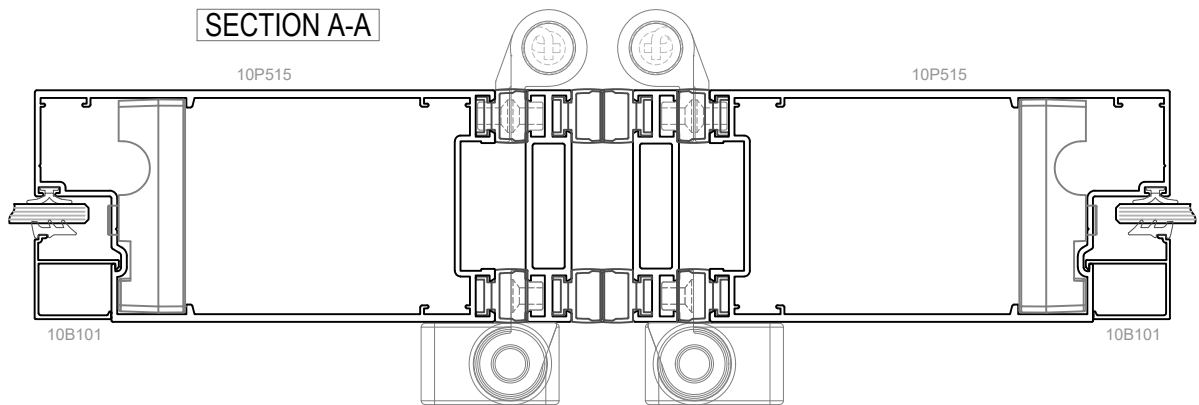
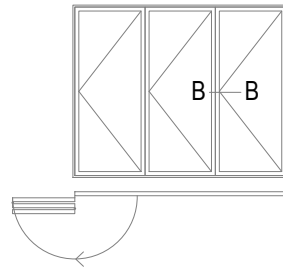
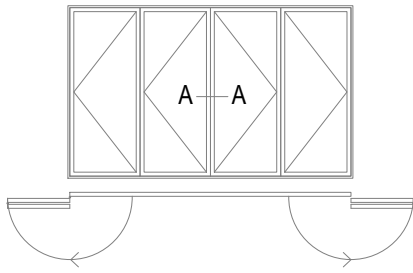
TOP HUNG HOODED GUIDE BI-FOLD DOOR



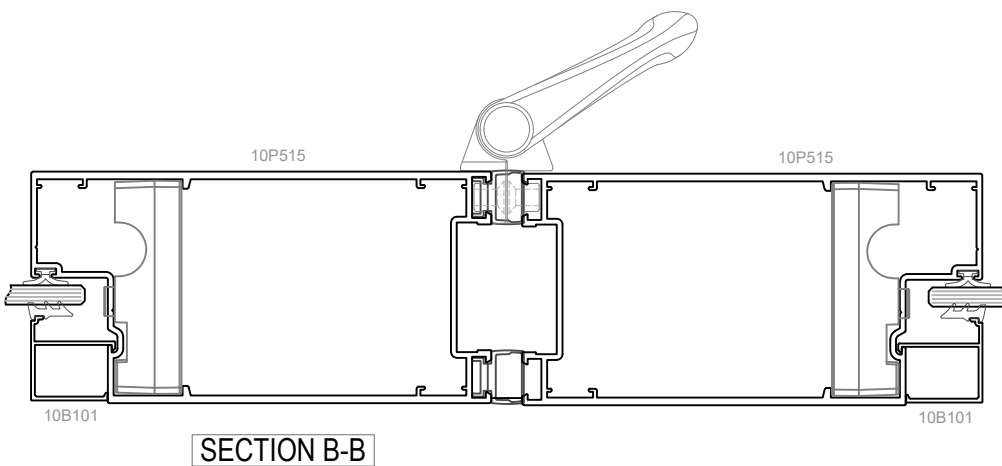
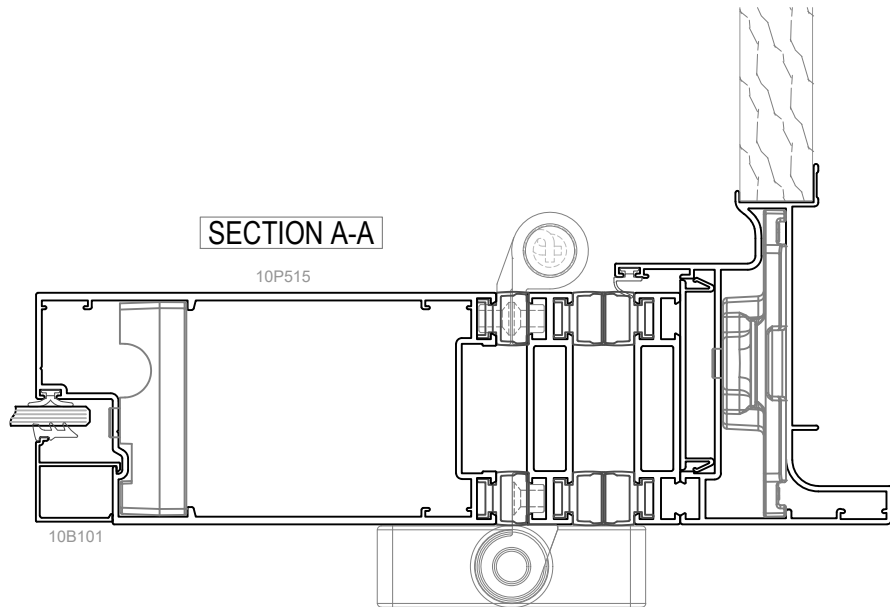
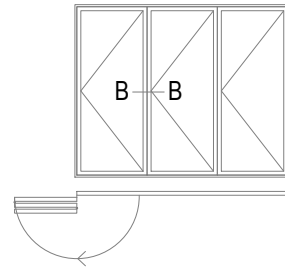
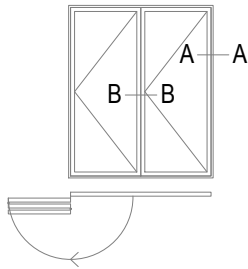
TOP HUNG HOODED GUIDE BI-FOLD DOOR



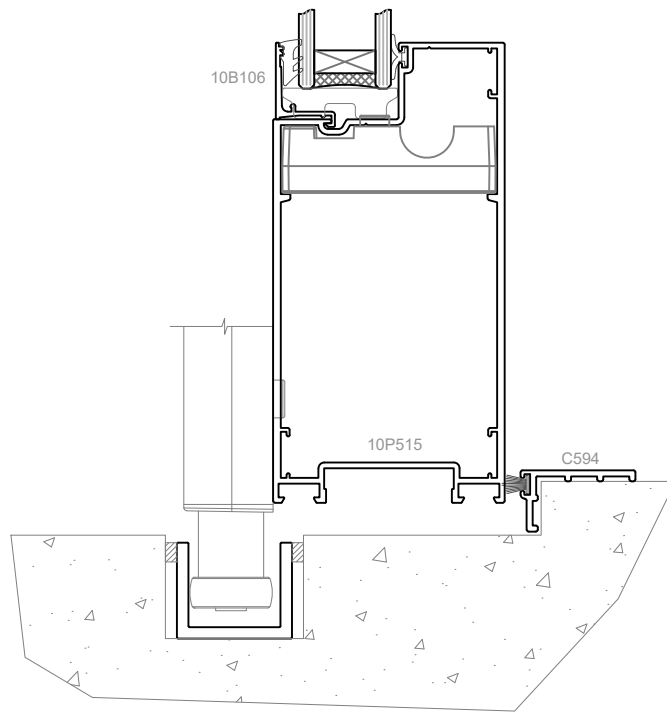
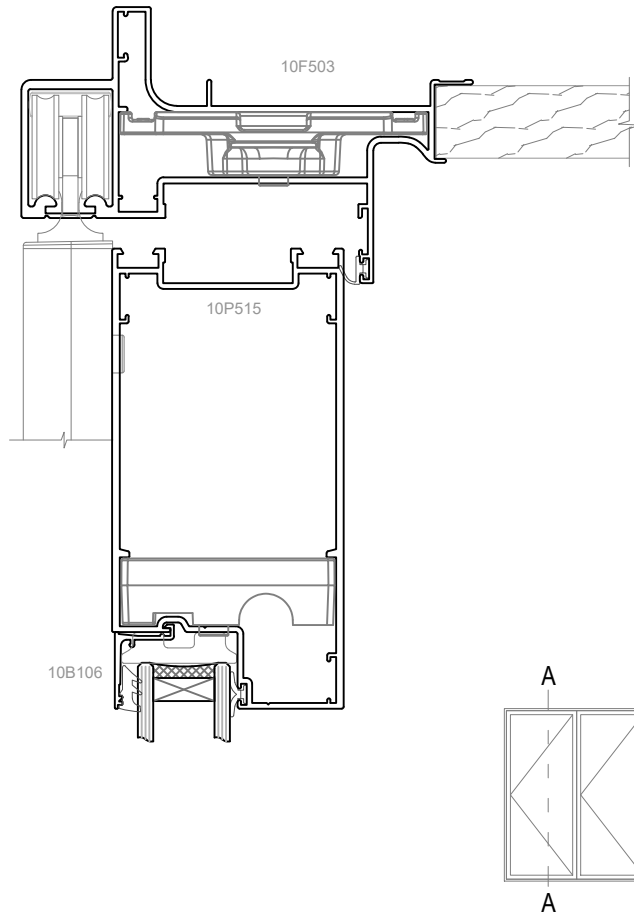
TOP HUNG HOODED GUIDE BI-FOLD DOOR



TOP HUNG HOODED GUIDE BI-FOLD DOOR - FREEFOLD

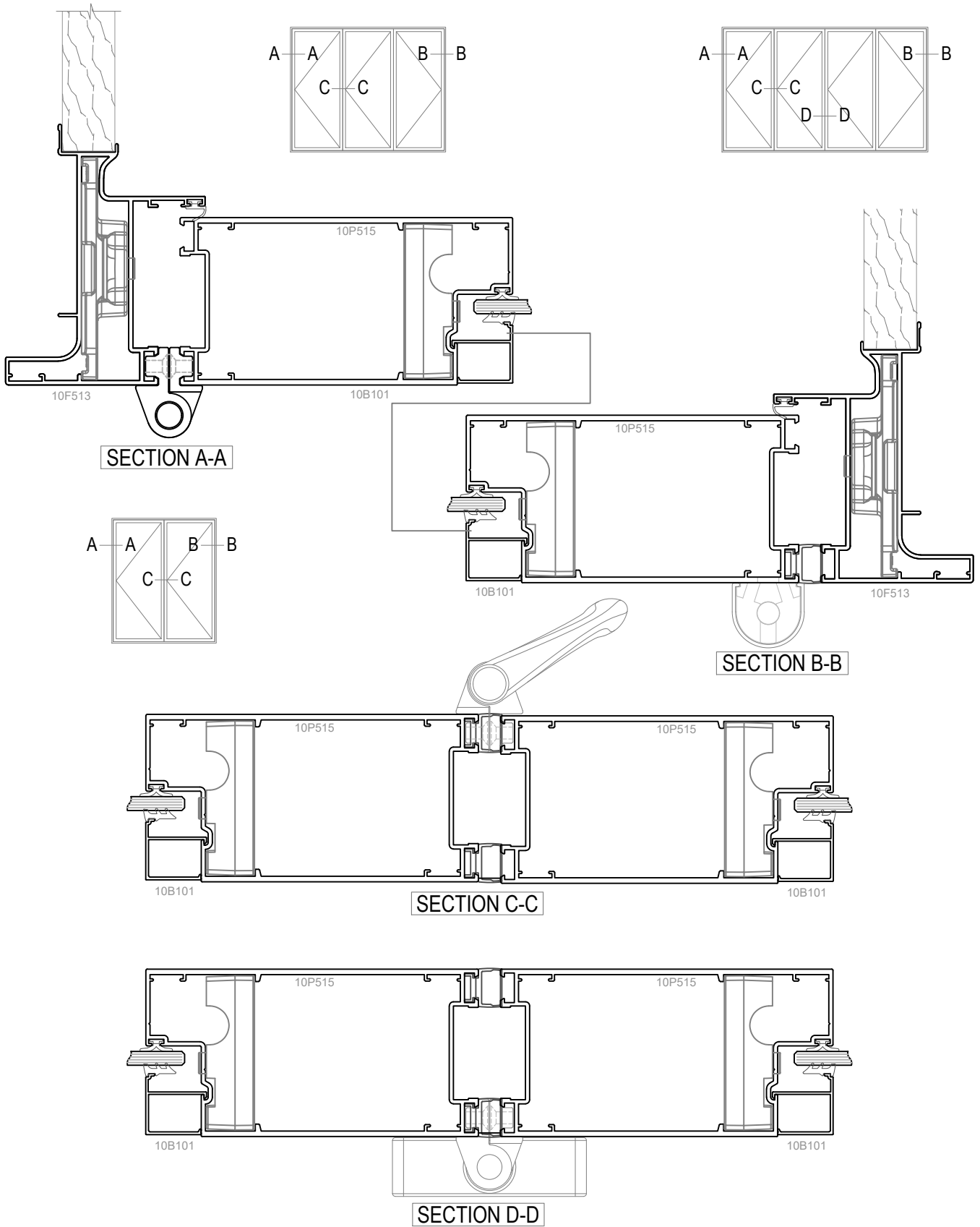


TOP HUNG HOODED GUIDE BI-FOLD DOOR - FREEFOLD

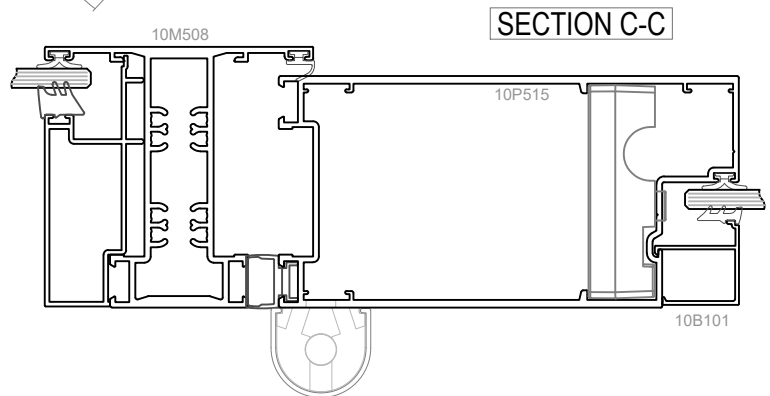
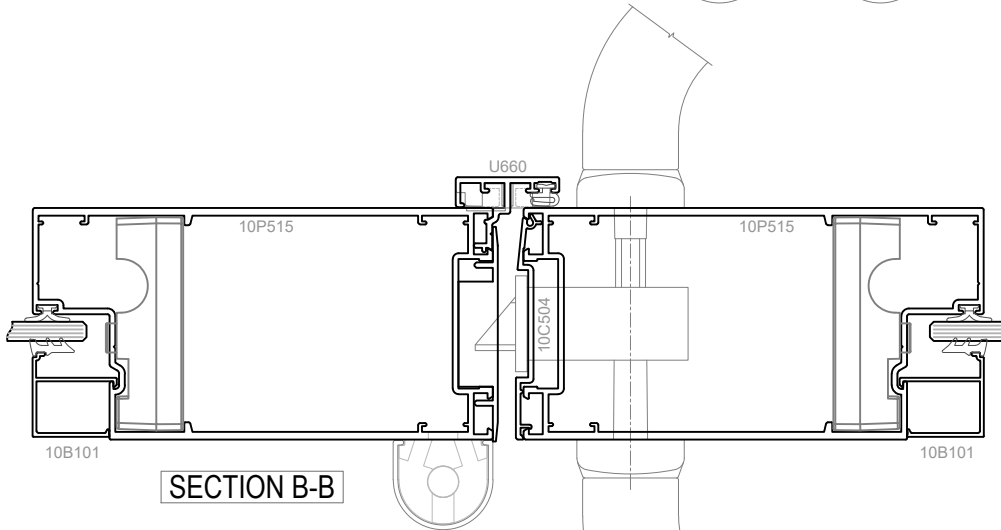
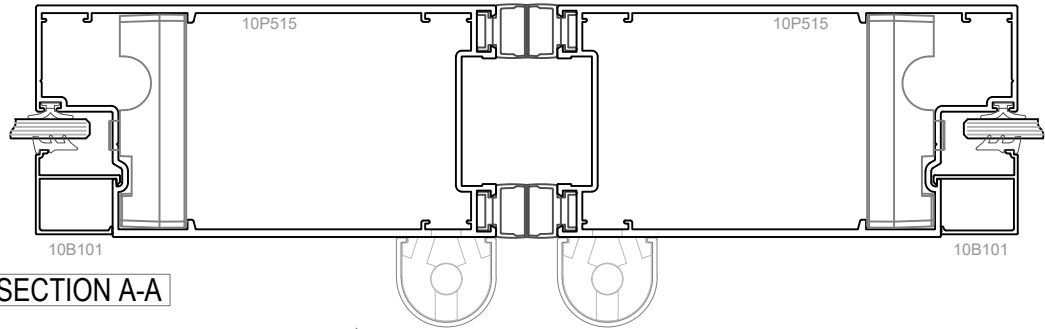
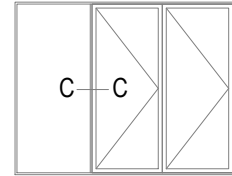
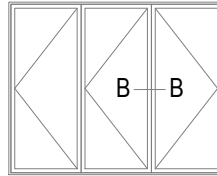
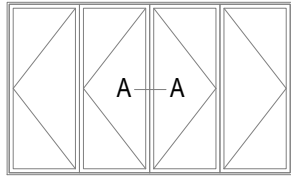


SECTION A-A

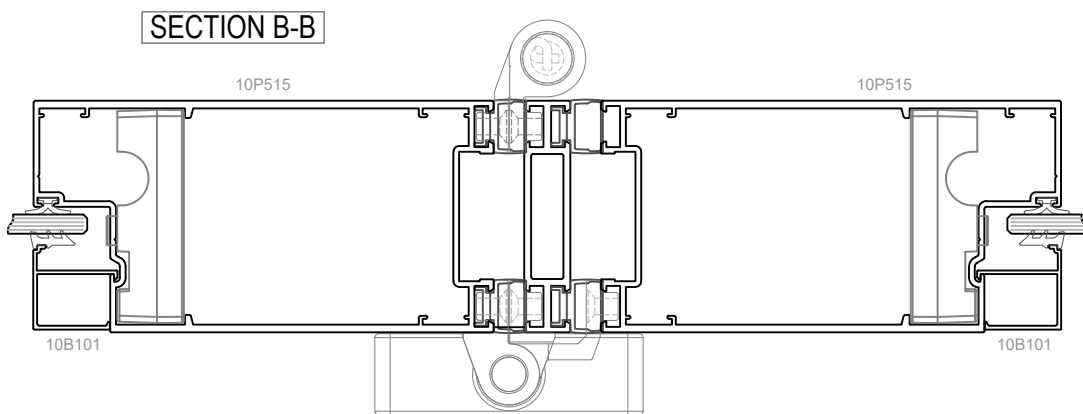
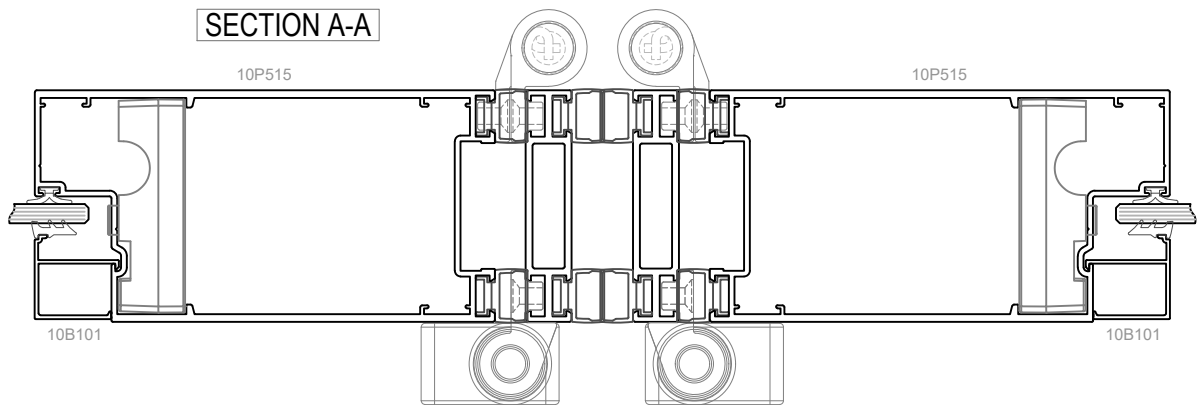
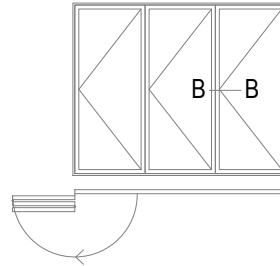
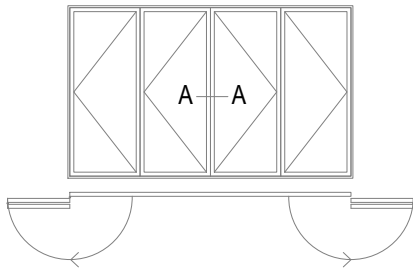
TOP HUNG NON-WEATHERED GUIDE BI-FOLD DOOR



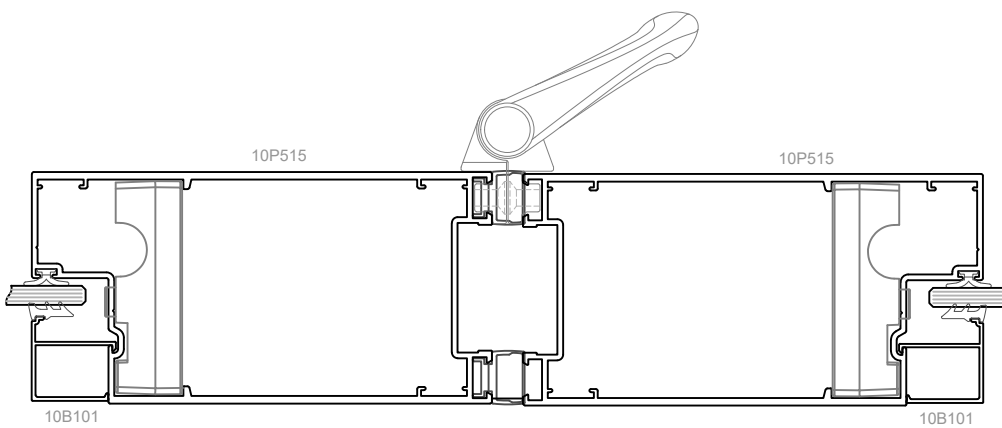
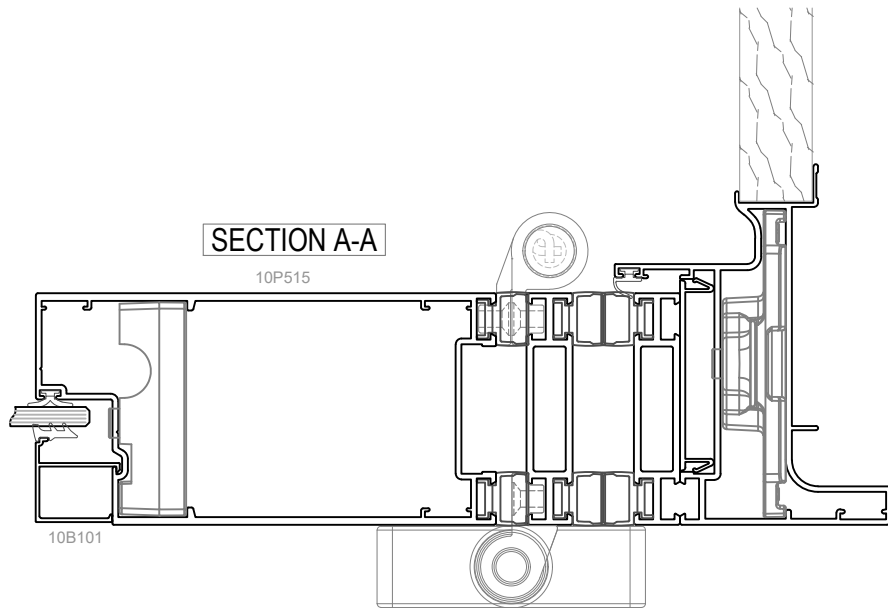
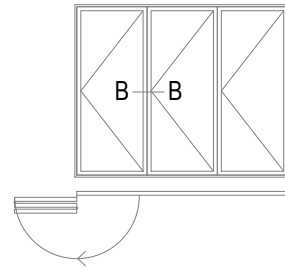
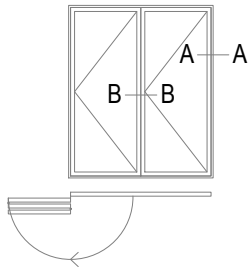
TOP HUNG NON-WEATHERED GUIDE BI-FOLD DOOR



TOP HUNG NON-WEATHERED GUIDE BI-FOLD DOOR

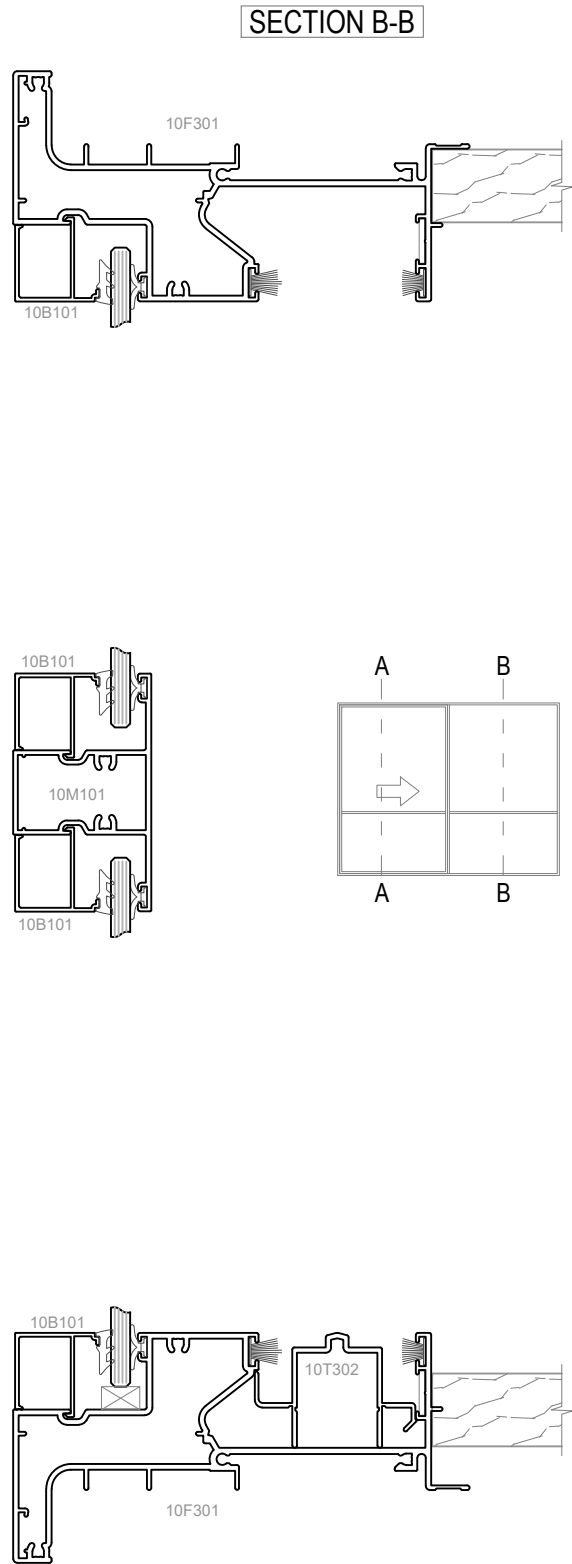
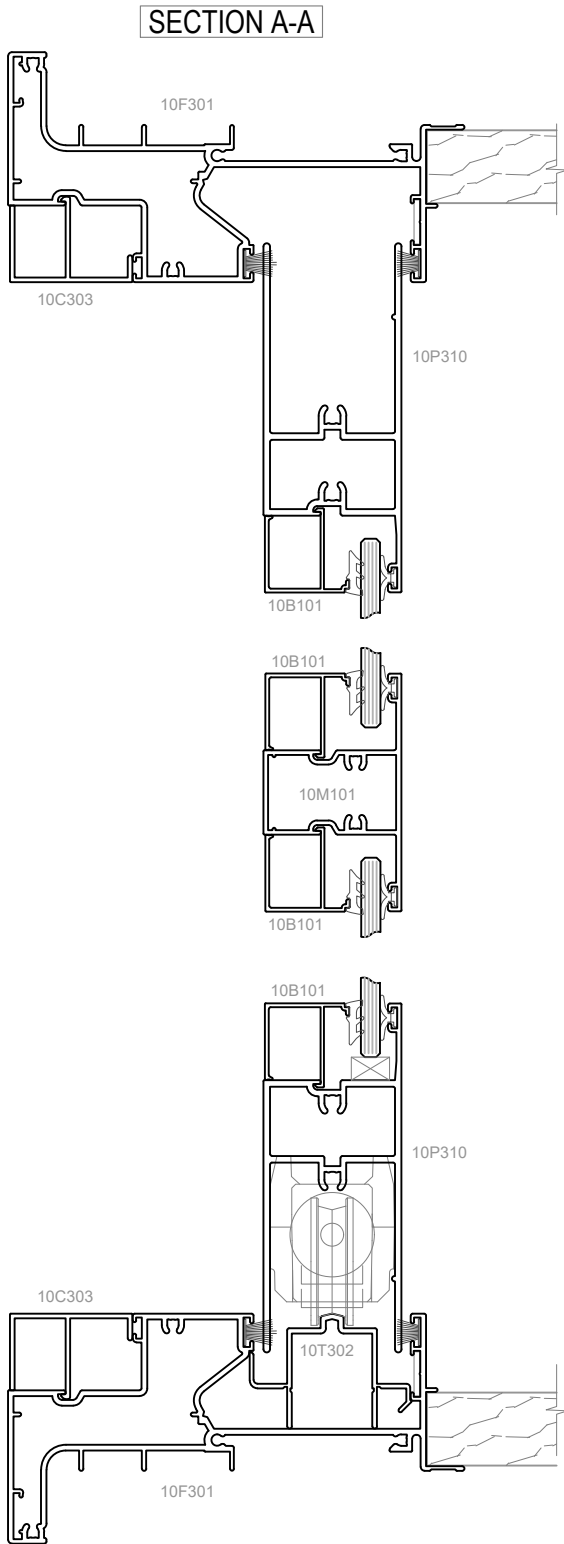


TOP HUNG NON-WEATHERED GUIDE BI-FOLD DOOR - FREEFOLD

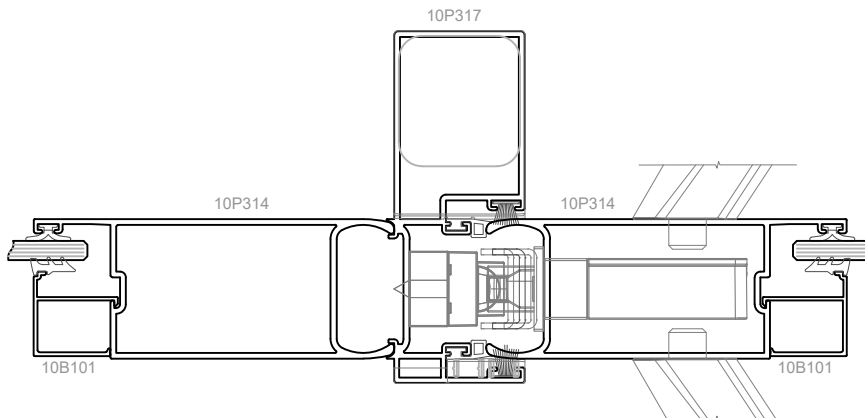
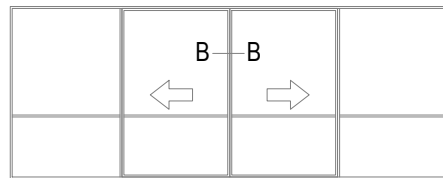
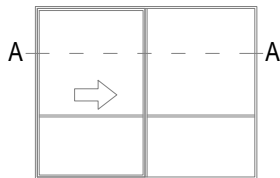
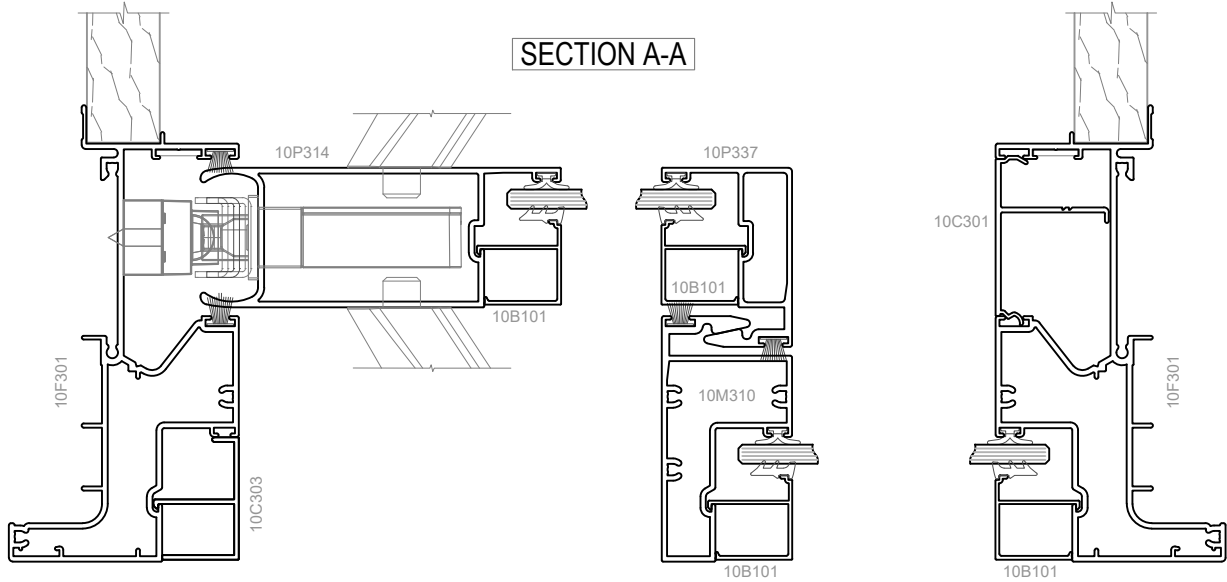


SECTION B-B

TOP HUNG NON-WEATHERED GUIDE BI-FOLD DOOR - FREEFOLD

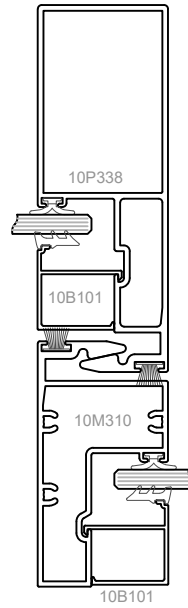
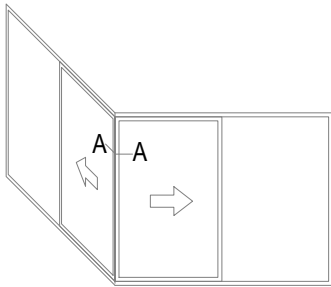


SLIDING DOOR

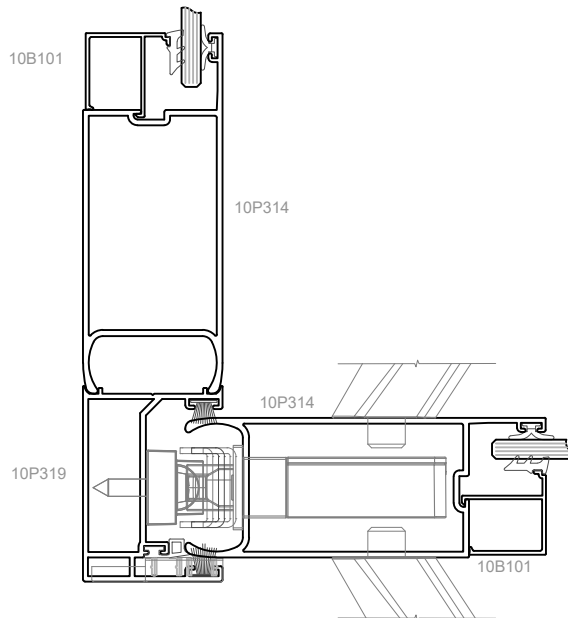


SECTION B-B

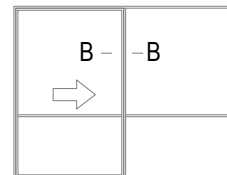
SLIDING DOOR



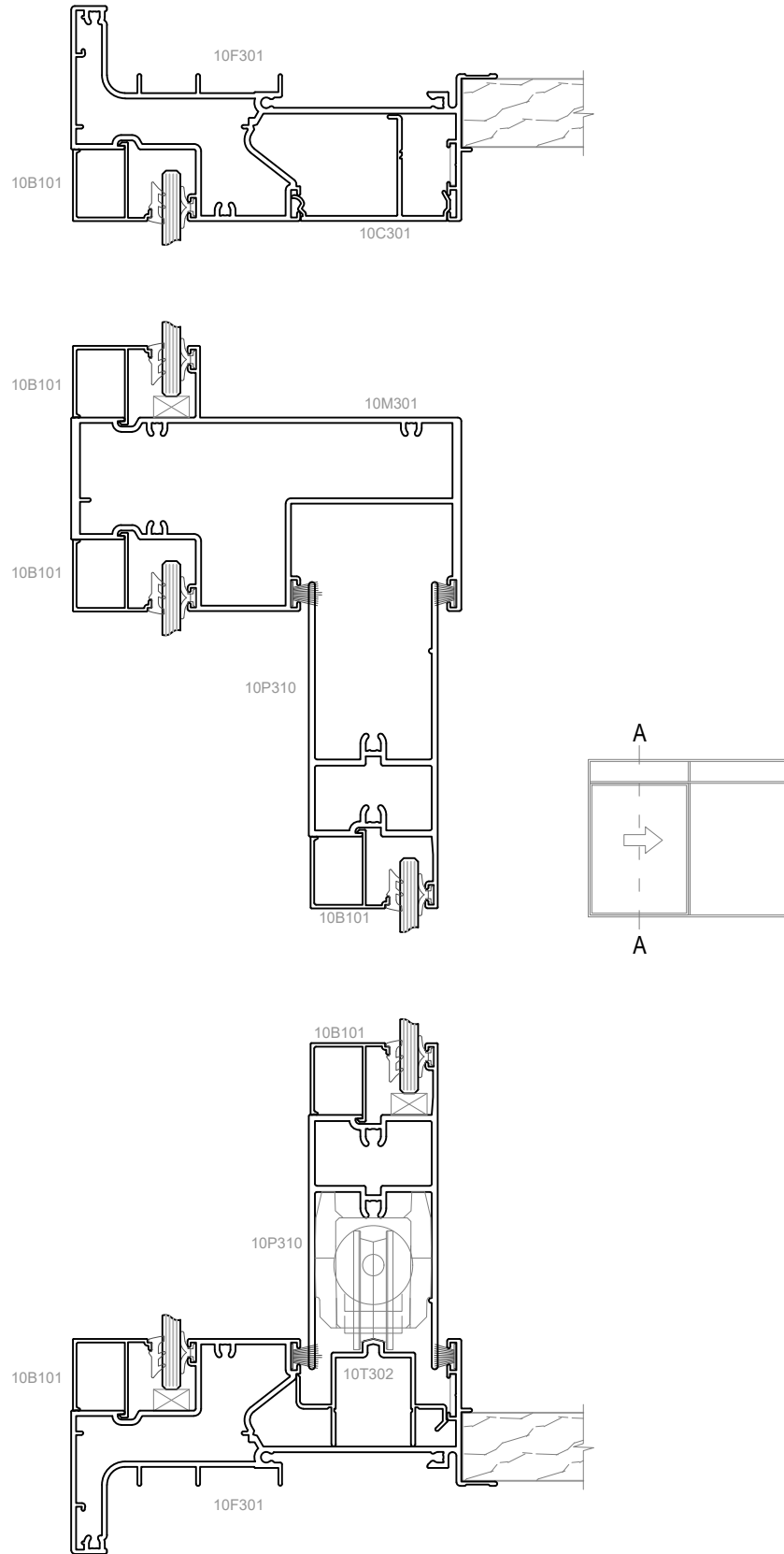
SECTION B-B



SECTION A-A

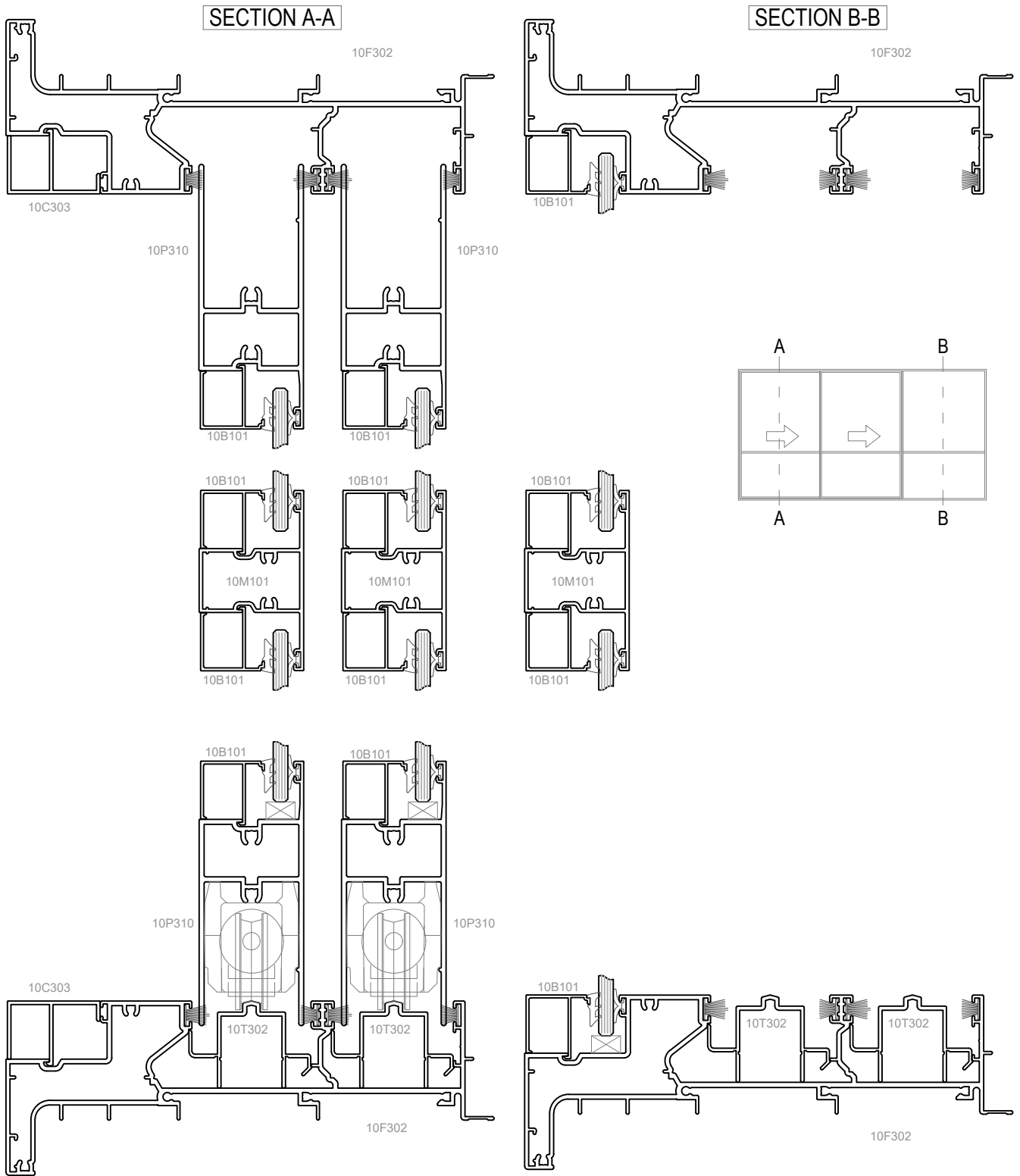


SLIDING DOOR

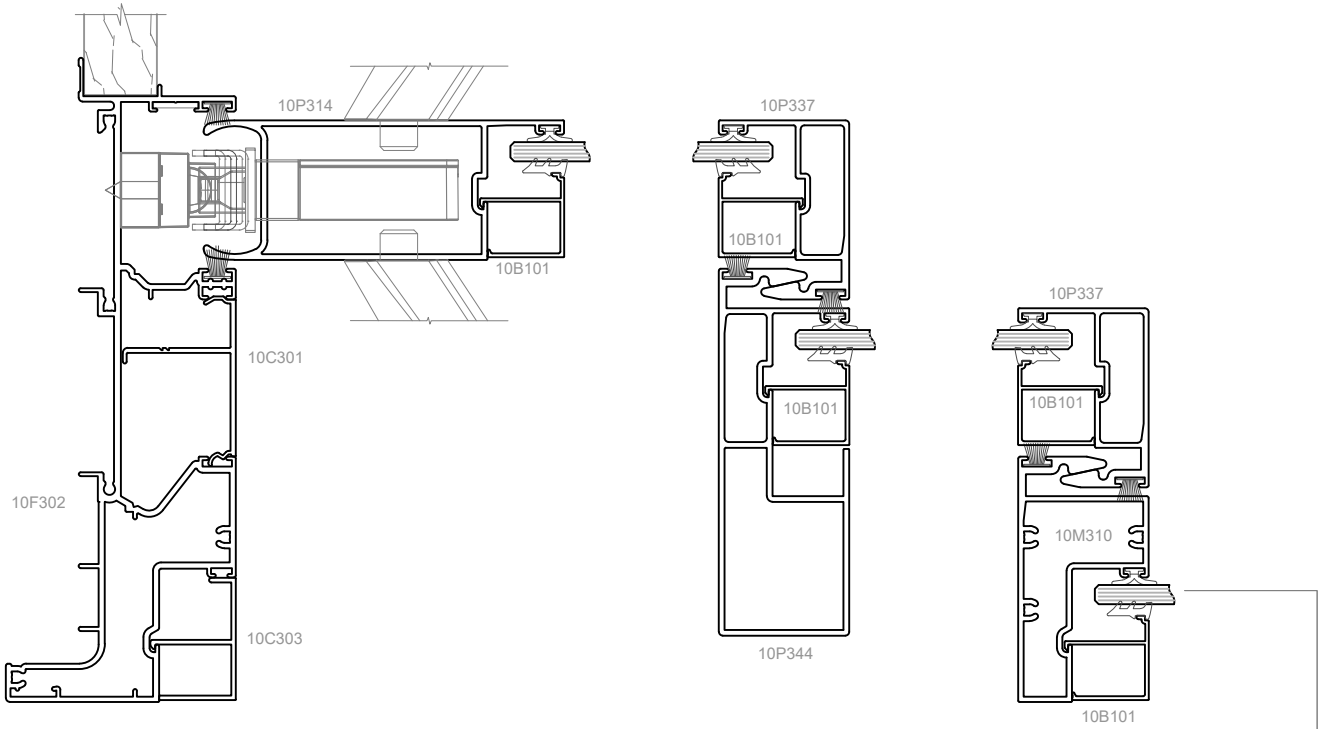


SECTION A-A

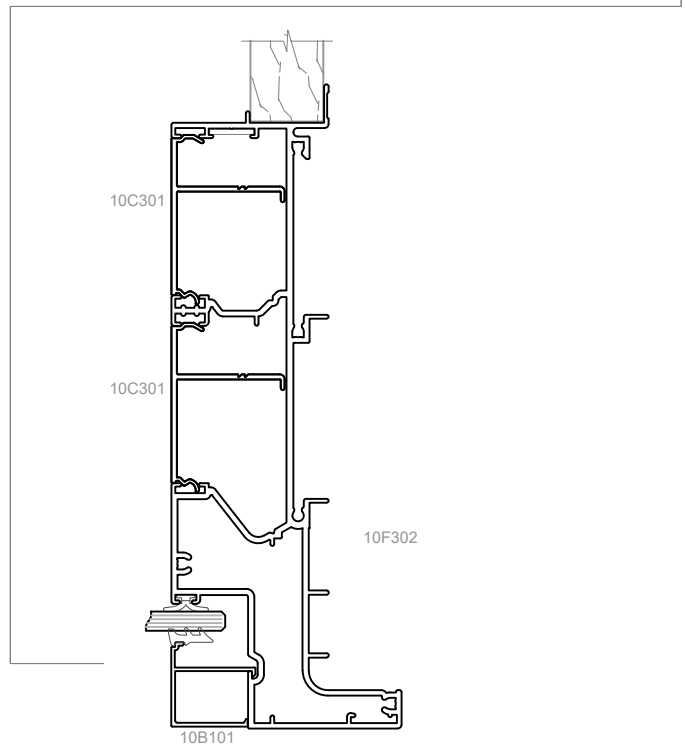
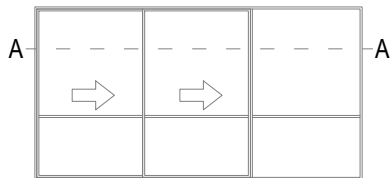
SLIDING DOOR



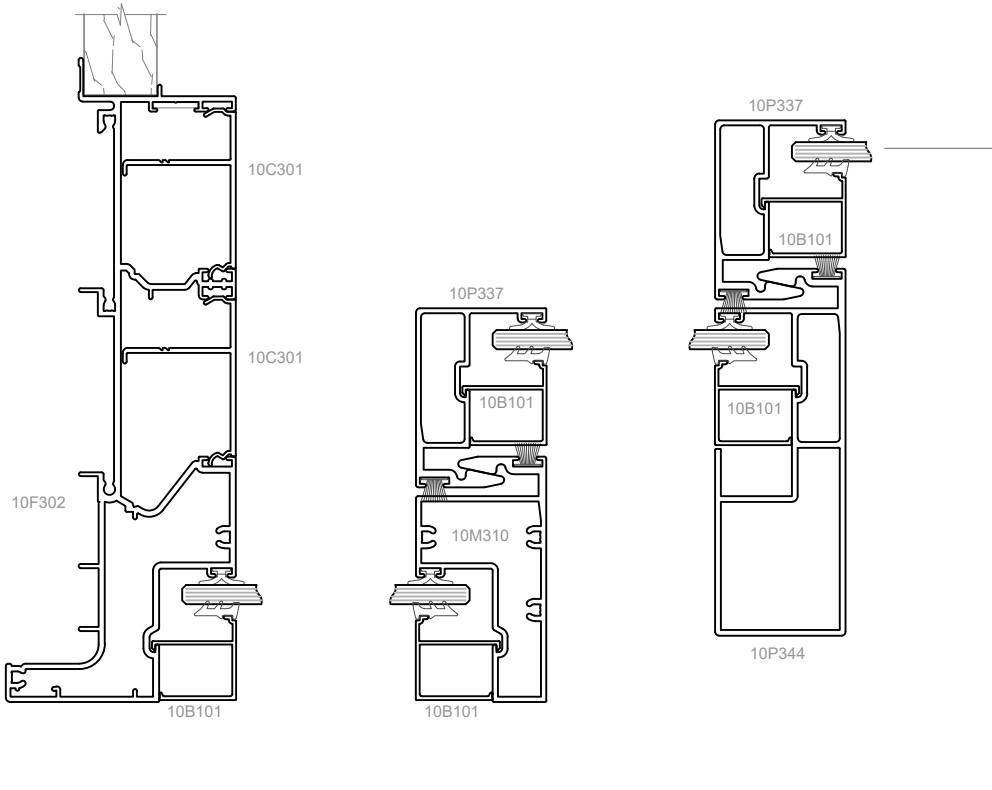
STACKING DOOR



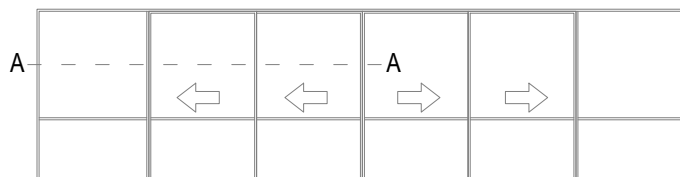
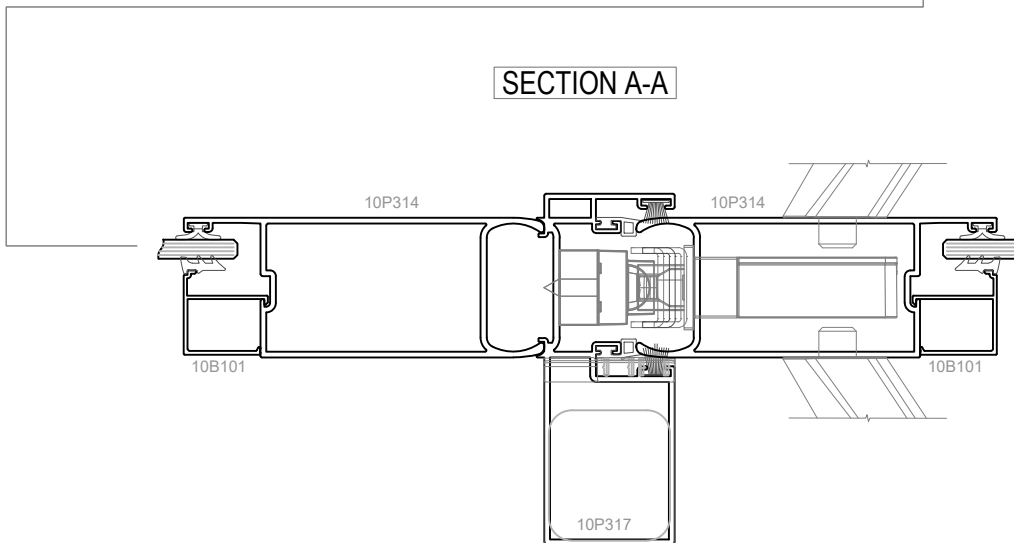
SECTION A-A



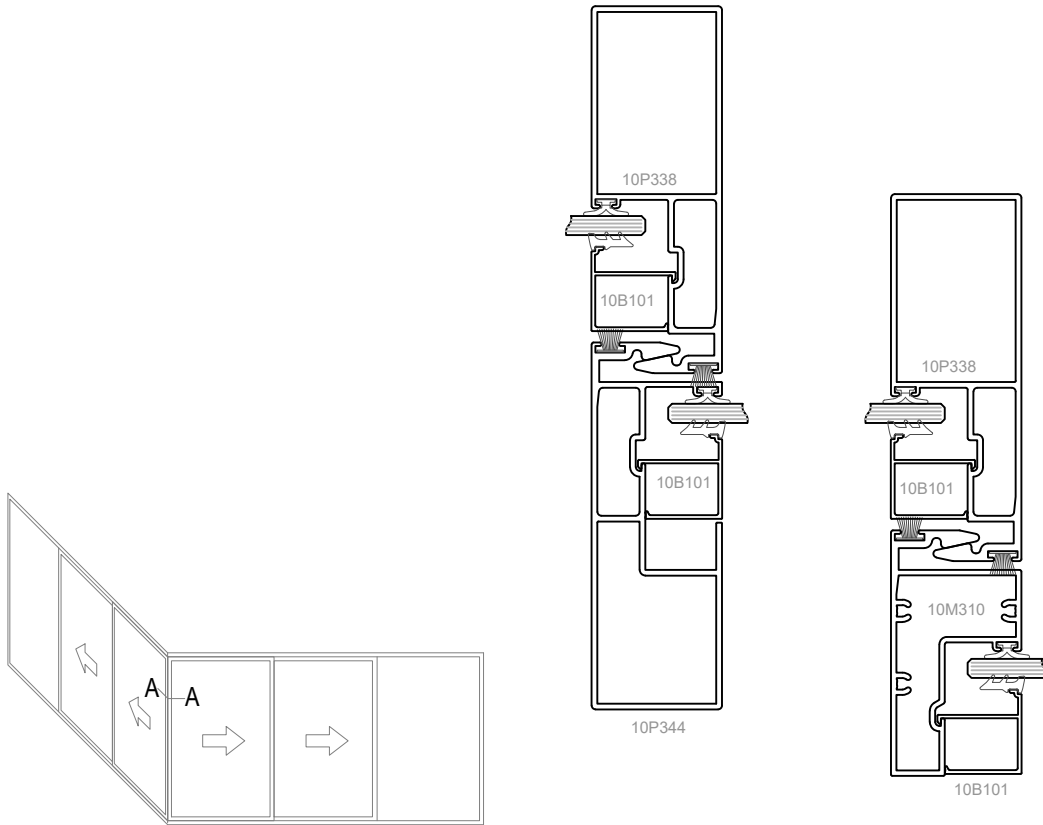
STACKING DOOR



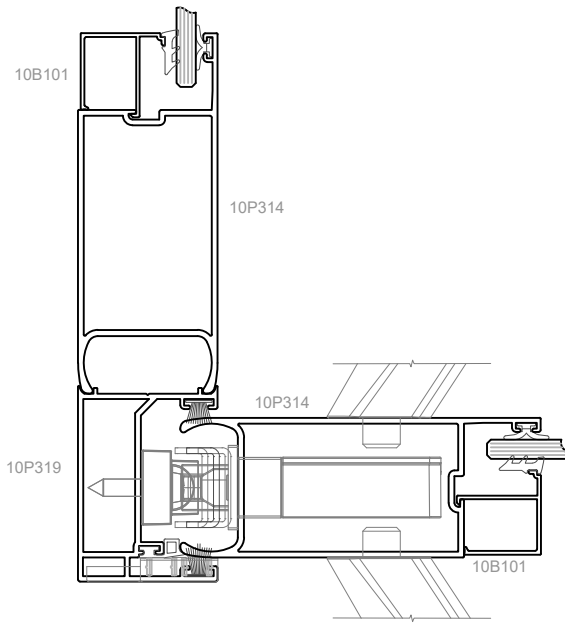
SECTION A-A



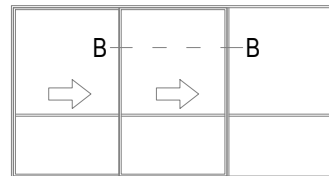
STACKING DOOR



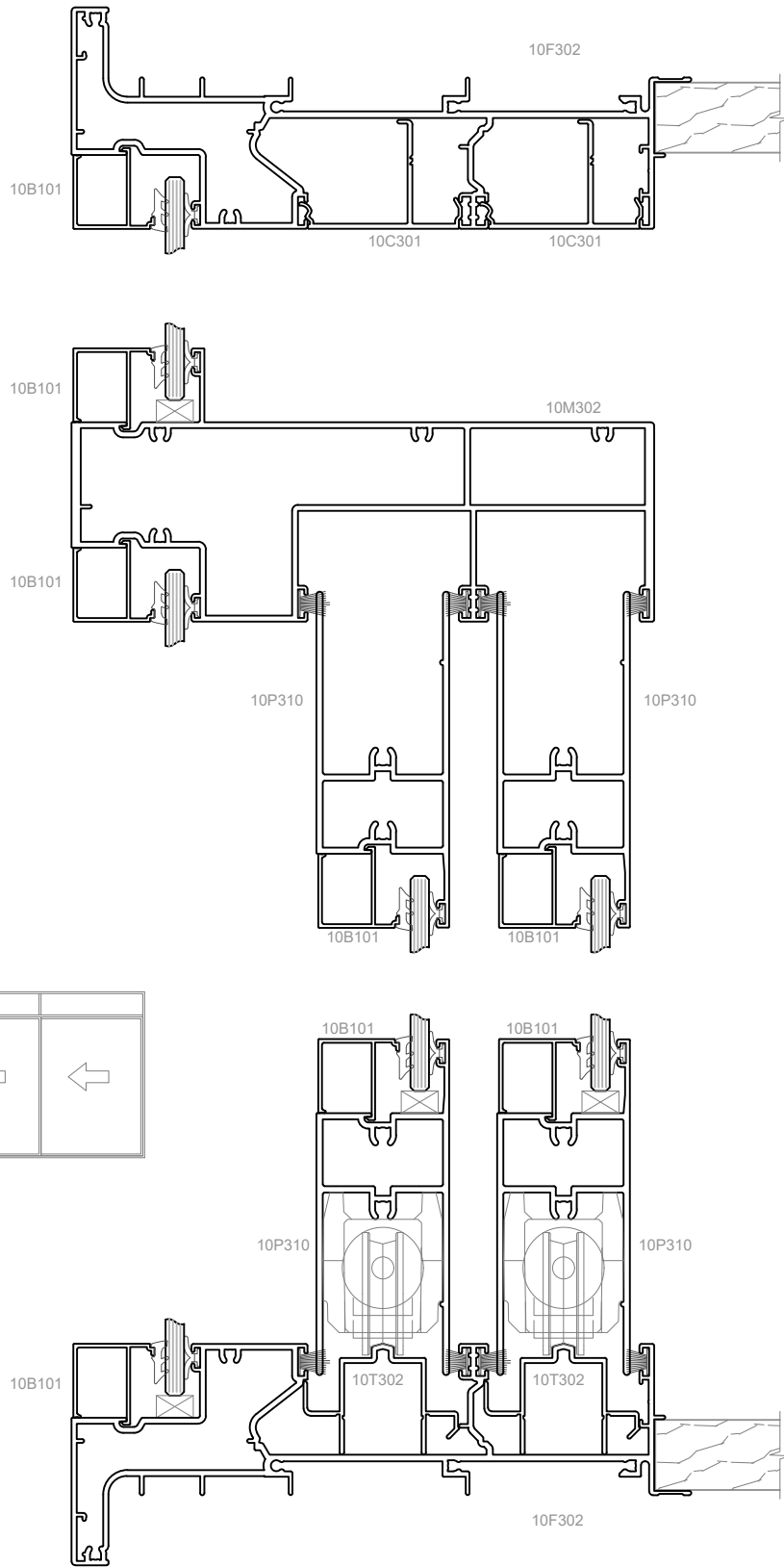
SECTION B-B



SECTION A-A



STACKING DOOR



SECTION A-A

STACKING DOOR