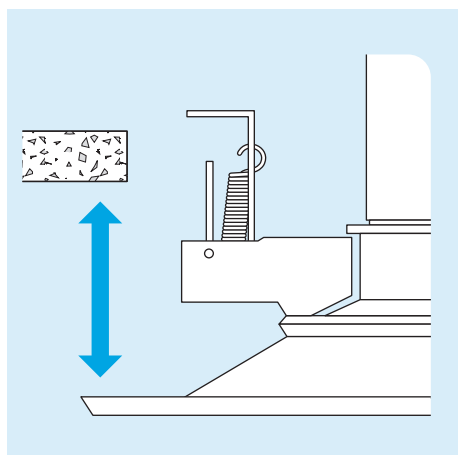


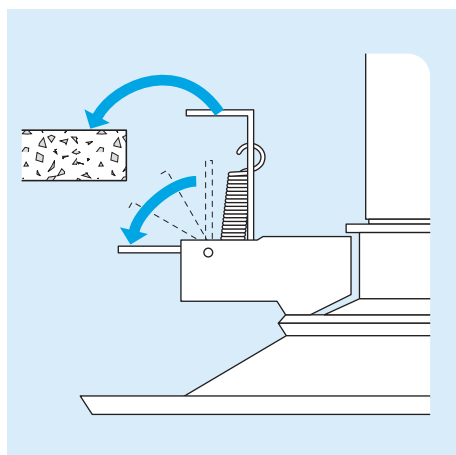
“HOLDIT” MOUNTING CLIP

The “Holdit” Mounting Clip

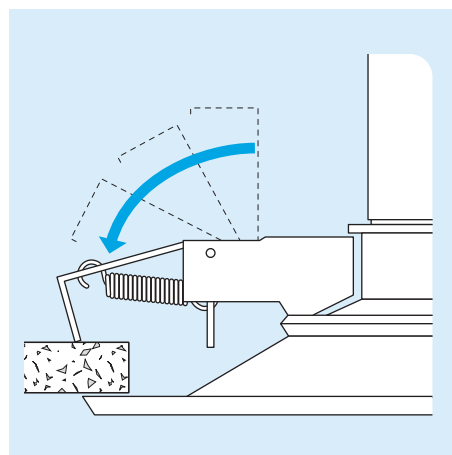
Suitable for All Frame Type 1, CMP and CMPH Diffusers



With the Holdit clip in the unloaded position try the ceiling diffuser in the ceiling opening.



Set the trigger into the loaded position and lift the ceiling diffuser up into the ceiling opening.



As the ceiling diffuser is lifted the trigger will activate the spring loaded holding arm to pull the diffuser up to the ceiling.

This innovative ceiling diffuser fixing device has been developed to make the fixing of CMP diffusers a breeze. Unlike other fixing devices*, the installer can try a ceiling diffuser in a ceiling opening with the HOLDIT clip in the UNLOADED position before final installation. Once satisfied that the diffuser will fit neatly into the opening, ensuring a tight fit up to the ceiling

and covering all edges of the hole, the HOLDIT clip may be loaded. When the ceiling diffuser is repositioned into the ceiling opening, the trigger will activate the spring loaded arm and pull the ceiling diffuser up to the ceiling and HOLDIT securely in place with no unsightly screws, or fixing.

* Other fixing accessories are available from your local Holyoake branch. Refer to Section K “Accessories” for a range of supplementary equipment.

Guide Product Weights		
Approximate Weight in Kg.		
Size	CMP-ADJ	CMPH-ADJ
150 x 150	0.73	0.75
225 x 225	1.11	1.25
300 x 300	1.60	1.60
375 x 375	1.76	1.95
450 x 450	2.55	2.91