

Batten options

1. Treated timber battens should have castellated profile to permit air passage and minimum 15° slope edge to shed water.

Impervious barrier (MDPE) or similar tape between cladding and batten.
To comply with NZBC E2/AS1 - table 23.

Note:
Some machining of vertical battens may be required to avoid "build up".
i.e. back flashings / tapes

2. Cavity plastic Batten

Note:
packing/shims may be needed to ensure boards are fitted flat without distortion.

* Additional timber may be required at soffit to support UA 5831 Soffit Base.

Note: Important

Underlay strips to isolate aluminium from treated timber battens 50 mm wide medium density polyethylene (MDPE)

To comply with NZBC E2/AS1 - table 23. Properties of roofing underlays and wall underlays, separates aluminium components and accessories from timber battens treated with copper-based treatments in NZS 3604.

Cavity closers required as per NZBC clause E2/AS1 (section 9.1.8)

0.9 x 90mm Aluminium Track Flashing.
Alternatively use Dynex Dynafash.

Locator Clip UA 4535

Vertical cavity batten (corners only) fixed with 6g x 1.25" CSK Sq S/S pre-drilled screws through batten into stud

Clearance hole in board larger than screw gauge to allow for thermal expansion.

When ripping boards to custom widths use treated timber Packers with isolation strips to replicate leg support

5 MIN

Minimum 5 mm clearance to allow for thermal expansion

Ulltraclad® UA 7094 Female Corner Flashing

Ulltraclad® UA 7095 Male Corner Flashing fixed to timber battens with 30 x 2.5 mm stainless steel clouts at 600 mm vertical centres

5 MIN

Face fix CSK aluminium Rivet through UA 7094 Female Corner Flashing and UA 6975 weatherboard (vertical). Touch up with colour match paint

Note: Underlay strips to isolate aluminium from treated timber battens Refer V00

Locator Clips fixed at Max 600 mm vertical centres with 8g x 2" CSK Sq S/S self tapping screws through batten into stud.

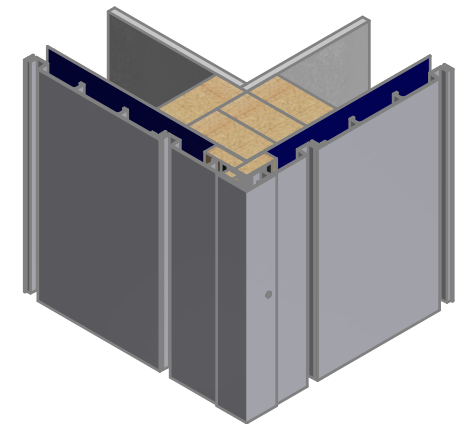
Wall frame

Interior lining

Building underlay continuous around corner

Cavity batten Refer V00 Batten Options

Note: Ensure to alternate spacings of fixings for battens and Locator Clips to avoid risk of splitting batten



ULLTRACLAD®
ALUMINIUM WEATHERBOARDS

ULLRICH ALUMINIUM CO LTD
PO Box 98 843 Manukau City Auckland 2241
118 Wiri Station Road Wiri 2104 New Zealand
TL 09 262 6262 Ext. 814 Mob 021 541 563

www.ulltraclad.co.nz

© ULLRICH ALUMINIUM - All Rights Reserved

V01

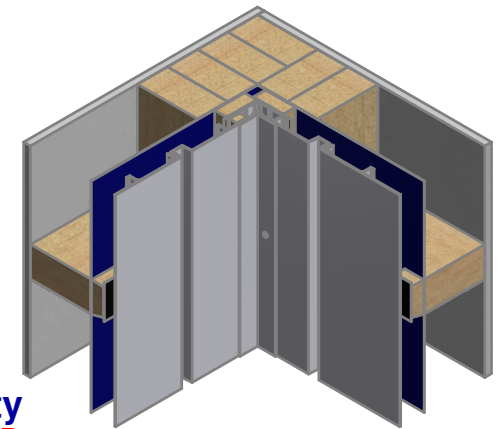
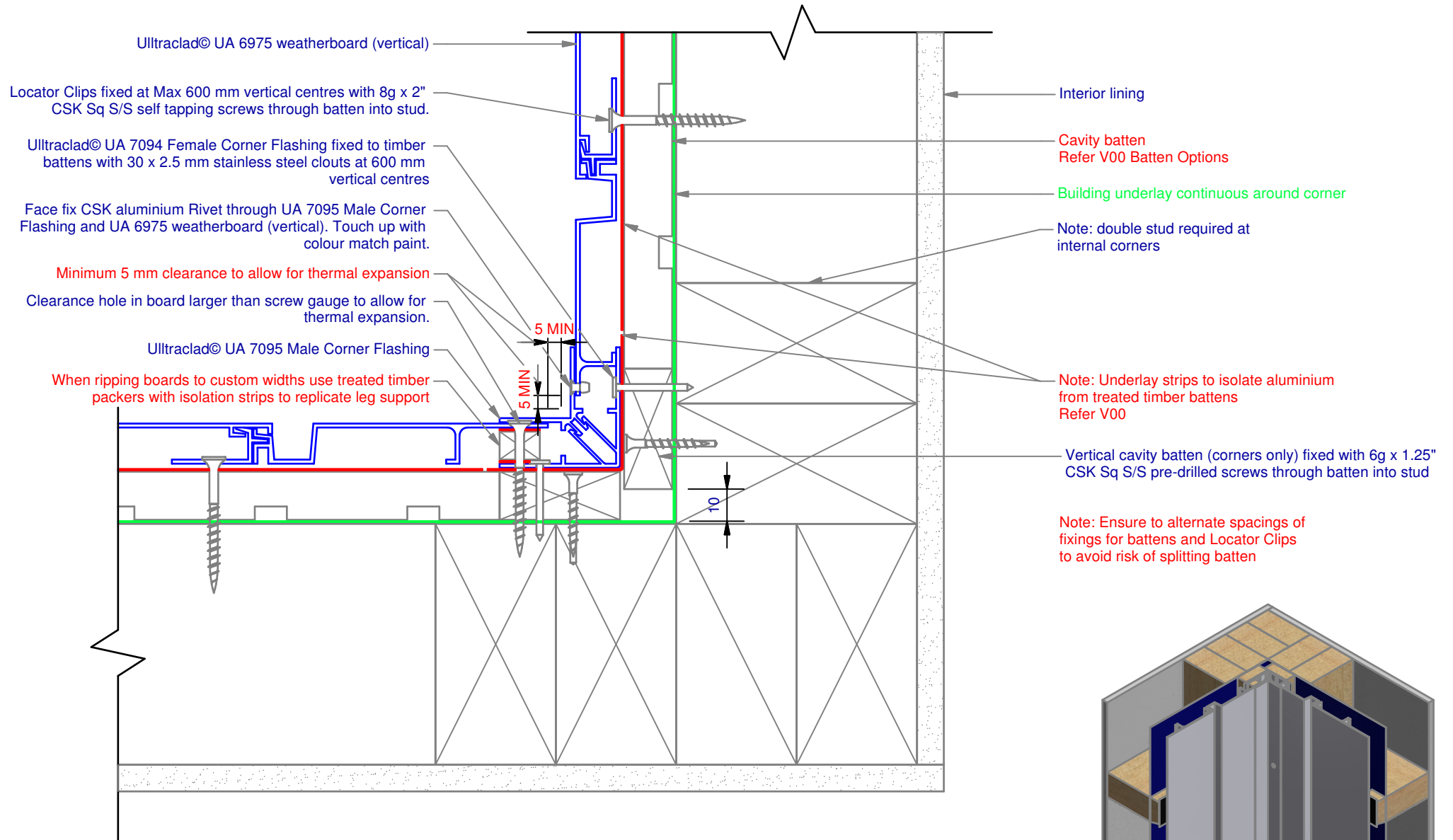
Rev : 08

External Corner on Cavity
UA 6975 SHADOLINE BOARD

VERTICAL CAVITY SYSTEM

Scale: 1 : 2 @ A4 - 2017

Brnz Appraisal #796 2013. (Vertical)



ULLTRACLAD®
ALUMINIUM WEATHERBOARDS

ULLRICH ALUMINIUM CO LTD
PO Box 98 843 Manukau City Auckland 2241
118 Wiri Station Road Wiri 2104 New Zealand
TL 09 262 6262 Ext. 814 Mob 021 541 563

www.ulltraclad.co.nz

© ULLRICH ALUMINIUM - All Rights Reserved

V02

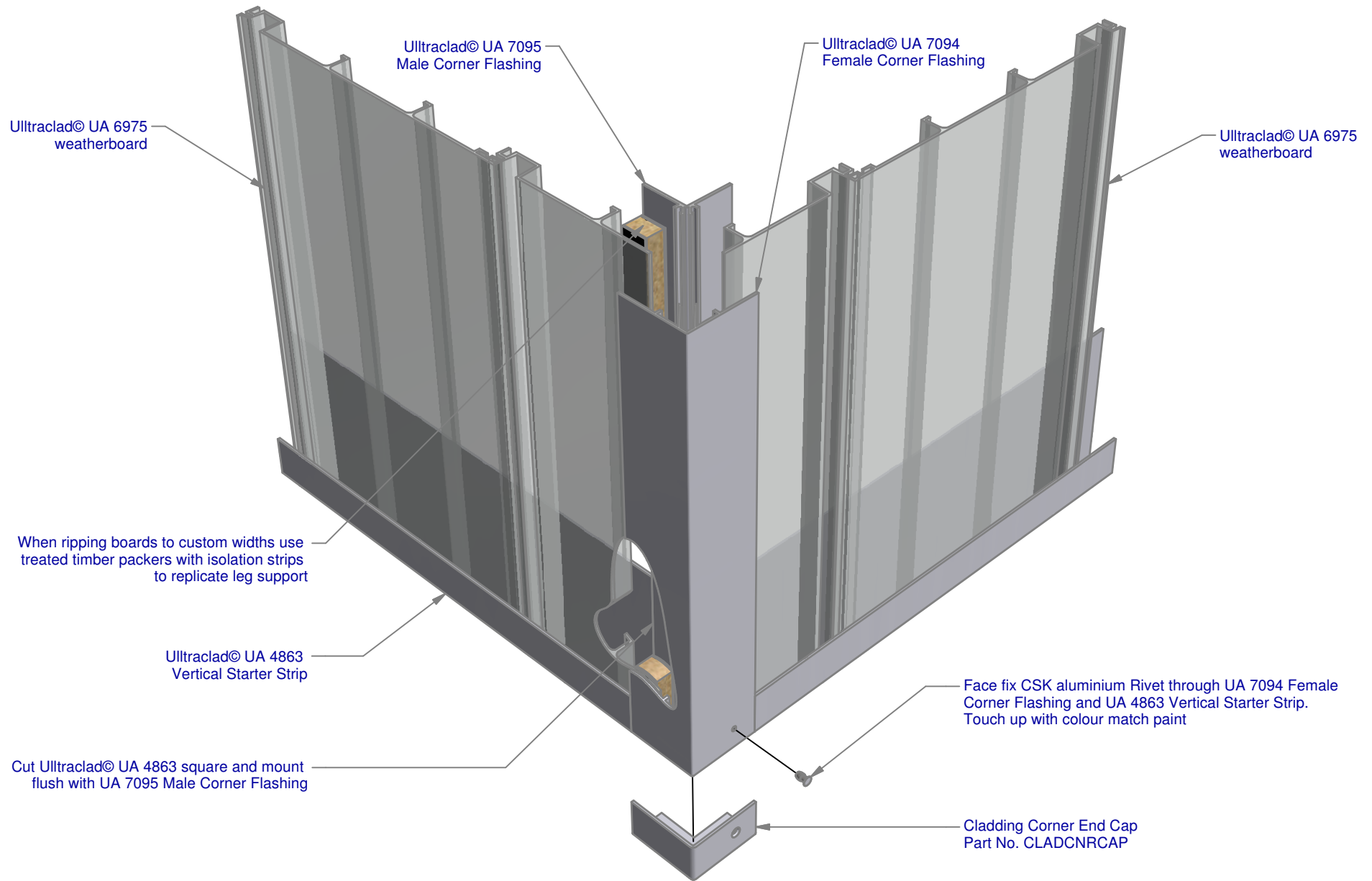
Rev : 08

Internal Corner on Cavity
UA 6975 SHADOLINE BOARD

VERTICAL CAVITY SYSTEM

Scale: 1 : 2 @ A4 - 2017

Brnz Appraisal #796 2013. (Vertical)



ULLTRACLAD®
ALUMINIUM WEATHERBOARDS

ULLRICH ALUMINIUM CO LTD
PO Box 98 843 Manukau City Auckland 2241
118 Wiri Station Road Wiri 2104 New Zealand
TL 09 262 6262 Ext. 814 Mob 021 541 563

www.ulltraclad.co.nz

© ULLRICH ALUMINIUM - All Rights Reserved

V03

Rev : 08

90° deg Corner Cap
UA 6975 SHADOLINE BOARD

VERTICAL CAVITY SYSTEM

Scale: 1 : 3 @ A4 - 2017

Brnz Appraisal #796 2013. (Vertical)

Ultraclad® UA 6975 weatherboards (vertical) fixed with Locator Clips fixed at Max 600 mm vertical centres with 8g x 2" CSK Sq S/S self tapping screws through batten into stud.

Cavity batten
Refer V00 Batten Options

Note: Underlay strips to isolate aluminium from treated timber battens
Refer V00

Ultraclad® UA 4863 Vertical Starter Strip fixed to bottom plate at 300 mm centres with 8g x 2" CSK Sq S/S self tapping screws

Ultraclad® Cavity Vent Strip
Alternatively use PVC type

Ultraclad® UA 4863 with 5 mm diameter drainage holes drilled through base of Starter at 300 mm centres

Note: 100 mm minimum to permanent paving or 175 mm to unpaved ground to clause 9.1.3 of E2/AS1

Concrete slab or Blockwork

Finished ground level

Building underlay

Interior lining

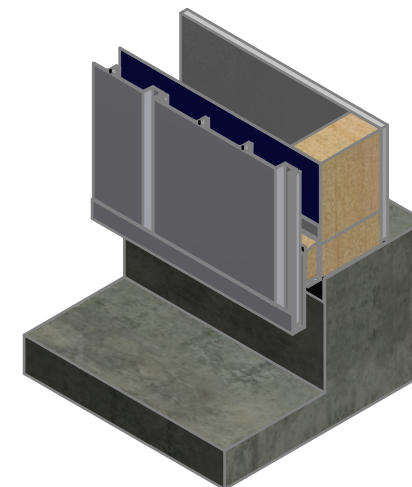
Bottom plate over DPC

Note: Ensure to alternate spacings of fixings for battens and Locator Clips to avoid risk of splitting batten

6 mm overhang (optional)

50

100



ULLTRACLAD®
ALUMINIUM WEATHERBOARDS

ULLRICH ALUMINIUM CO LTD
PO Box 98 843 Manukau City Auckland 2241
118 Wiri Station Road Wiri 2104 New Zealand
TL 09 262 6262 Ext. 814 Mob 021 541 563

www.ulltraclad.co.nz

© ULLRICH ALUMINIUM - All Rights Reserved

V04

Rev : 08

Vertical Wall Starter
UA 6975 SHADOLINE BOARD

VERTICAL CAVITY SYSTEM

Scale: 1 : 2 @ A4 - 2017

Brnz Appraisal #796 2013. (Vertical)

Note: Ensure to alternate spacings of fixings for battens and Locator Clips to avoid risk of splitting batten

Sealant over PEF Backing Rod
 Screw through UA 7584 base at Max 600 mm horizontal centres with 8g x 2" CSK Sq. S/S self tapping screws through batten into stud
 Ulltraclad® UA 5833 Soffit Clip Top
 Minimum 5 mm clearance to allow for thermal expansion

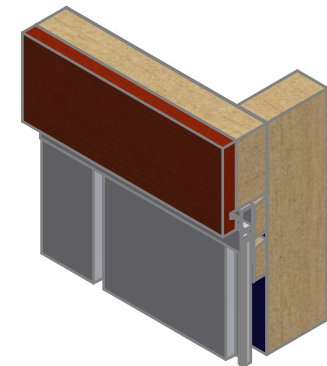
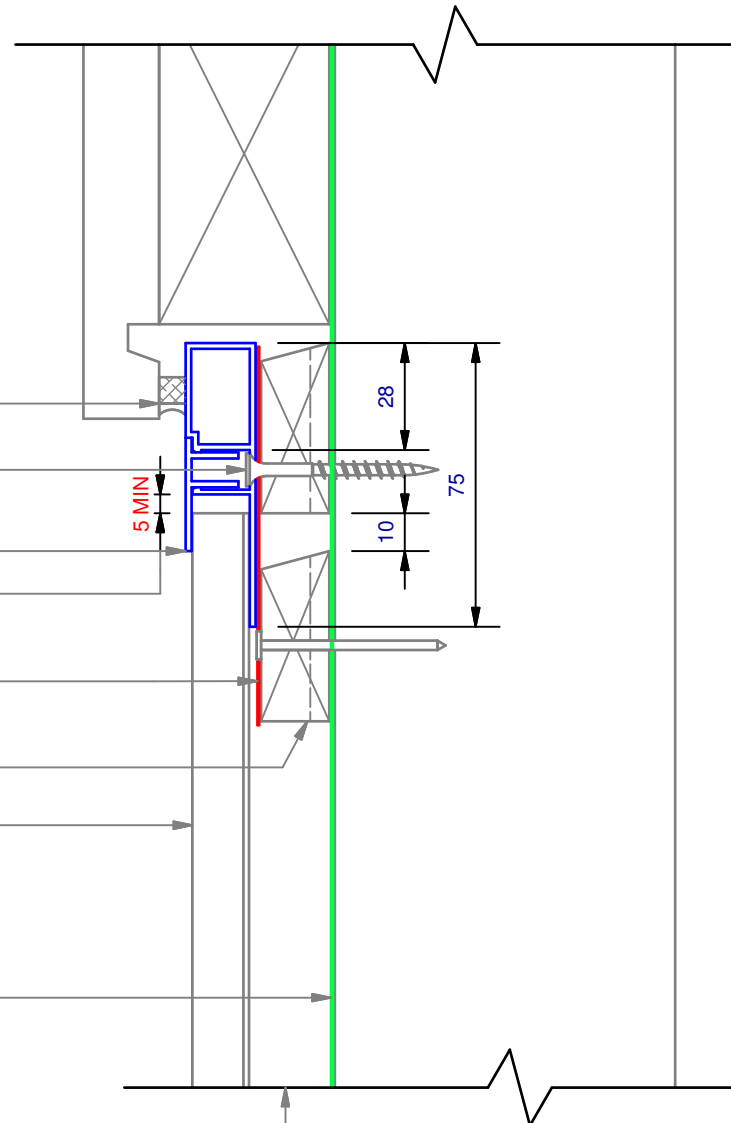
Note: Underlay strips to isolate aluminium from treated timber battens Refer V00

Cavity batten Refer V00 Batten Options

Ulltraclad® UA 6975 weatherboards (vertical) fixed with Locator Clips fixed at Max 600 mm vertical centres with 8g x 2" CSK Sq S/S self tapping screws through batten into stud.

Building underlay

Drained and vented cavity as per NZBC clause E2/AS1 (section 9.1.8)



ULLTRACLAD®
 ALUMINIUM WEATHERBOARDS

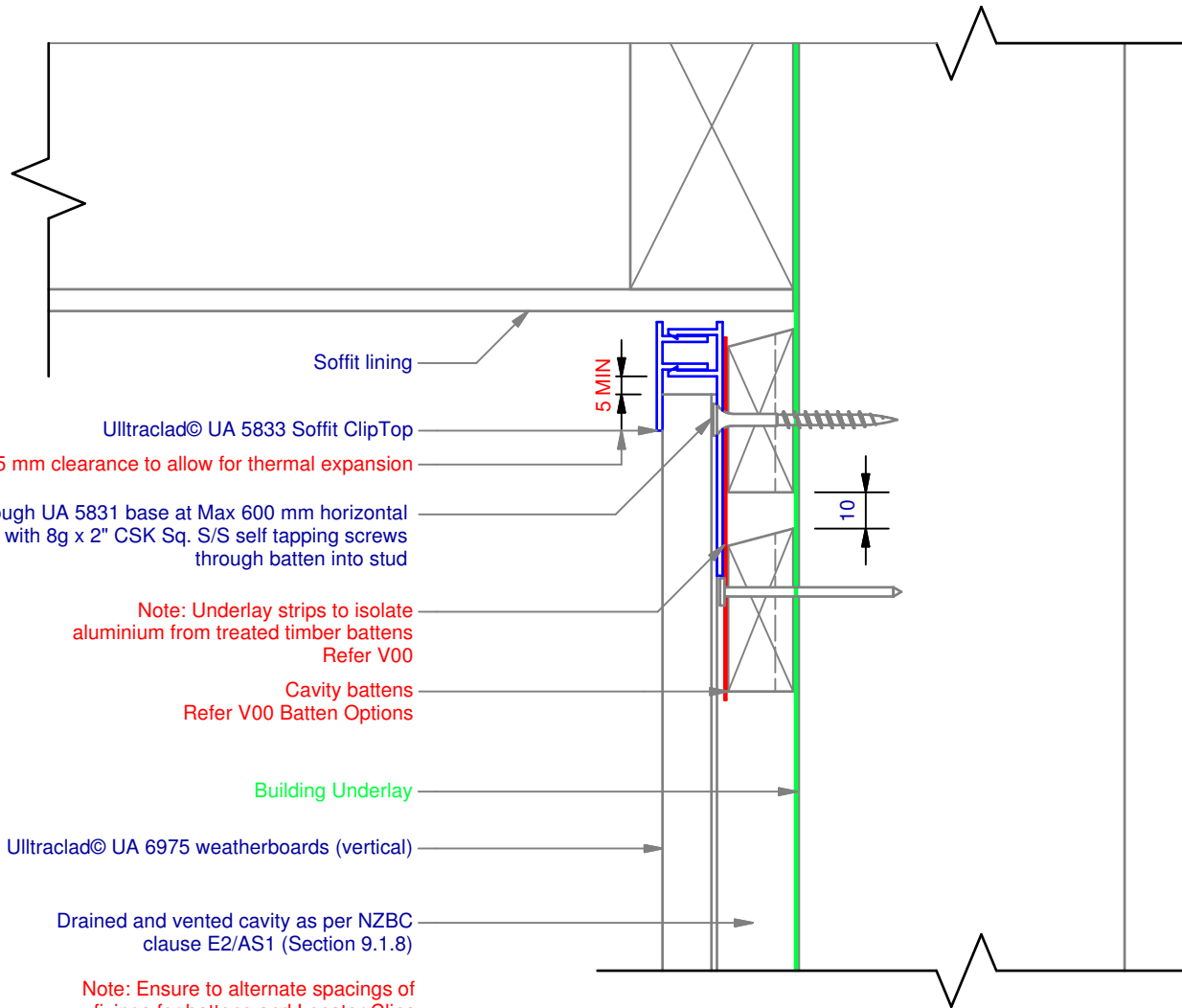
ULLRICH ALUMINIUM CO LTD
 PO Box 98 843 Manukau City Auckland 2241
 118 Wiri Station Road Wiri 2104 New Zealand
 TL 09 262 6262 Ext. 814 Mob 021 541 563
 www.ulltraclad.co.nz
 © ULLRICH ALUMINIUM - All Rights Reserved

V05
 Rev : 08

No Soffit Detail on Cavity
UA 6975 SHADOLINE BOARD

VERTICAL CAVITY SYSTEM
 Scale: 1 : 2 @ A4 - 2017

Brnz Appraisal #796 2013. (Vertical)



Soffit lining

Ultraclad® UA 5833 Soffit ClipTop

Minimum 5 mm clearance to allow for thermal expansion

Screw through UA 5831 base at Max 600 mm horizontal centres with 8g x 2" CSK Sq. S/S self tapping screws through batten into stud

Note: Underlay strips to isolate aluminium from treated timber battens Refer V00

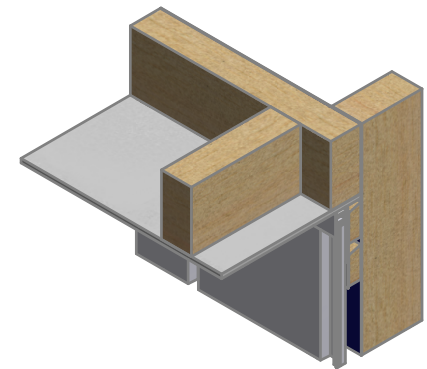
Cavity battens Refer V00 Batten Options

Building Underlay

Ultraclad® UA 6975 weatherboards (vertical)

Drained and vented cavity as per NZBC clause E2/AS1 (Section 9.1.8)

Note: Ensure to alternate spacings of fixings for battens and Locator Clips to avoid risk of splitting batten



ULLTRACLAD®
ALUMINIUM WEATHERBOARDS

ULLRICH ALUMINIUM CO LTD
PO Box 98 843 Manukau City Auckland 2241
118 Wiri Station Road Wiri 2104 New Zealand
TL 09 262 6262 Ext. 814 Mob 021 541 563

www.ulltracalad.co.nz

© ULLRICH ALUMINIUM - All Rights Reserved

V06

Rev : 08

Soffit Detail on Cavity
UA 6975 SHADOLINE BOARD

VERTICAL CAVITY SYSTEM

Scale: 1 : 2 @ A4 - 2017

Brnz Appraisal #796 2013. (Vertical)

Ultraclad® UA 6975 weatherboards (vertical) fixed with Locator Clips fixed at Max 600 mm vertical centres with 8g x 2" CSK Sq S/S self tapping screws through batten into stud.

Timber floor structure in accordance with NZS3604: 2011

Building Underlay

Cavity batten
Refer V00 Batten Options

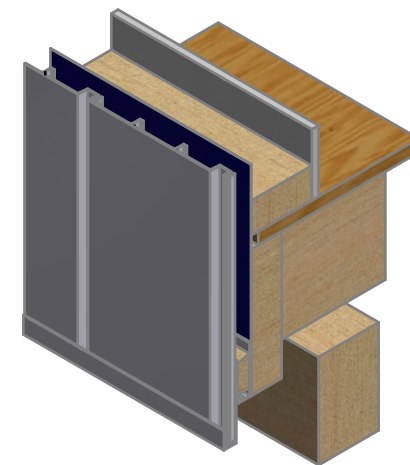
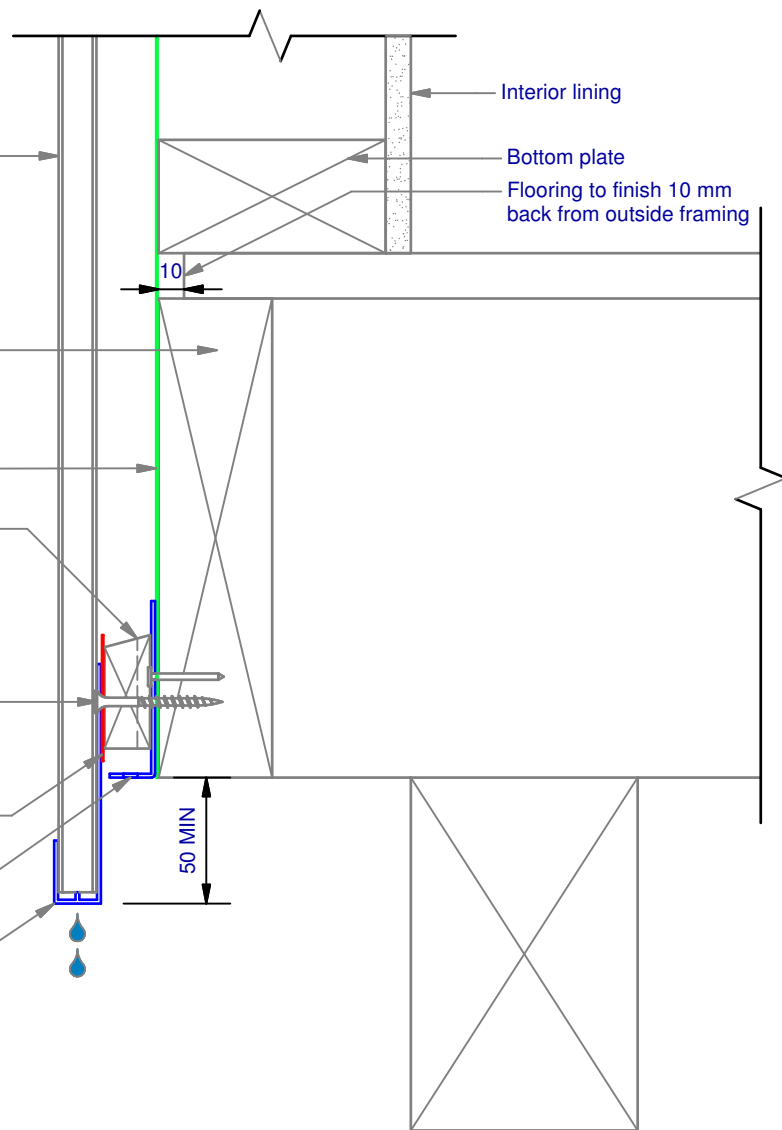
Ultraclad® UA 4863 Vertical Starter Strip fixed to bottom plate at 300 mm centres with 8g x 2" CSK Sq. S/S self tapping screws

Note: Underlay strips to isolate aluminium from treated timber battens
Refer V00

Ultraclad® Cavity Vent Strip
Alternatively use PVC type

Ultraclad® UA 4863 with 5 mm diameter drainage holes drilled through base of Starter at 300 mm centres

Note: Ensure to alternate spacings of fixings for battens and Locator Clips to avoid risk of splitting batten



ULLTRACLAD®
ALUMINIUM WEATHERBOARDS

ULLRICH ALUMINIUM CO LTD
PO Box 98 843 Manukau City Auckland 2241
118 Wiri Station Road Wiri 2104 New Zealand
TL 09 262 6262 Ext. 814 Mob 021 541 563

www.ulltraclad.co.nz

© ULLRICH ALUMINIUM - All Rights Reserved

V07

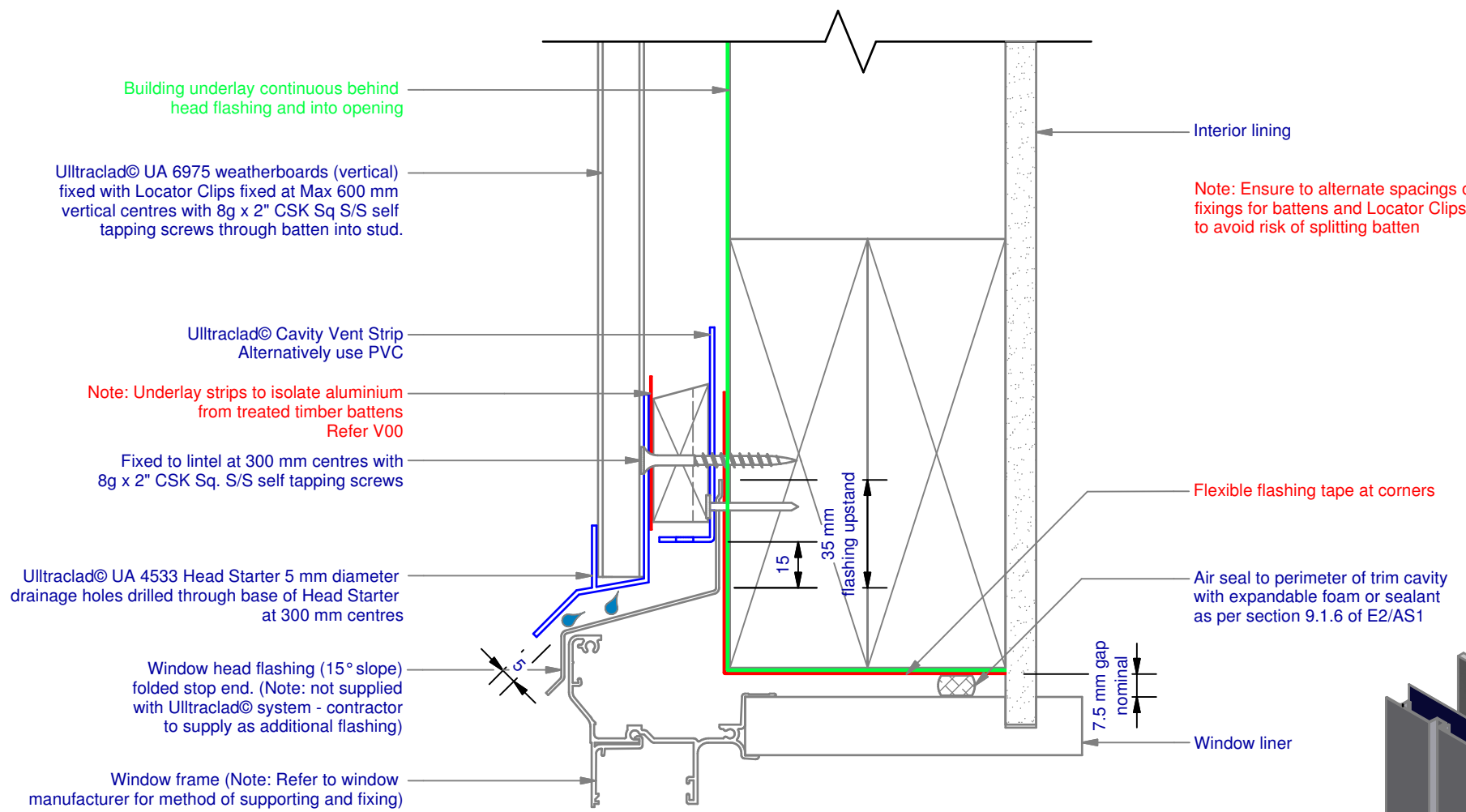
Rev : 08

Timber Floor on Cavity
UA 6975 SHADOLINE BOARD

VERTICAL CAVITY SYSTEM

Scale: 1 : 3 @ A4 - 2017

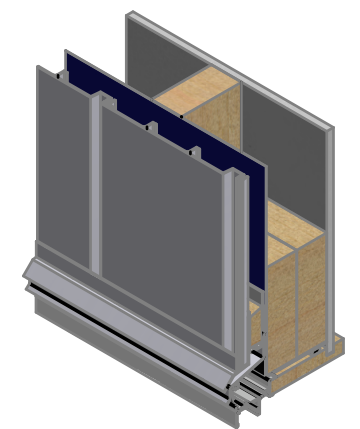
Brnz Appraisal #796 2013. (Vertical)



Note: Ensure to alternate spacings of fixings for battens and Locator Clips to avoid risk of splitting batten

Flexible flashing tape at corners

Air seal to perimeter of trim cavity with expandable foam or sealant as per section 9.1.6 of E2/AS1



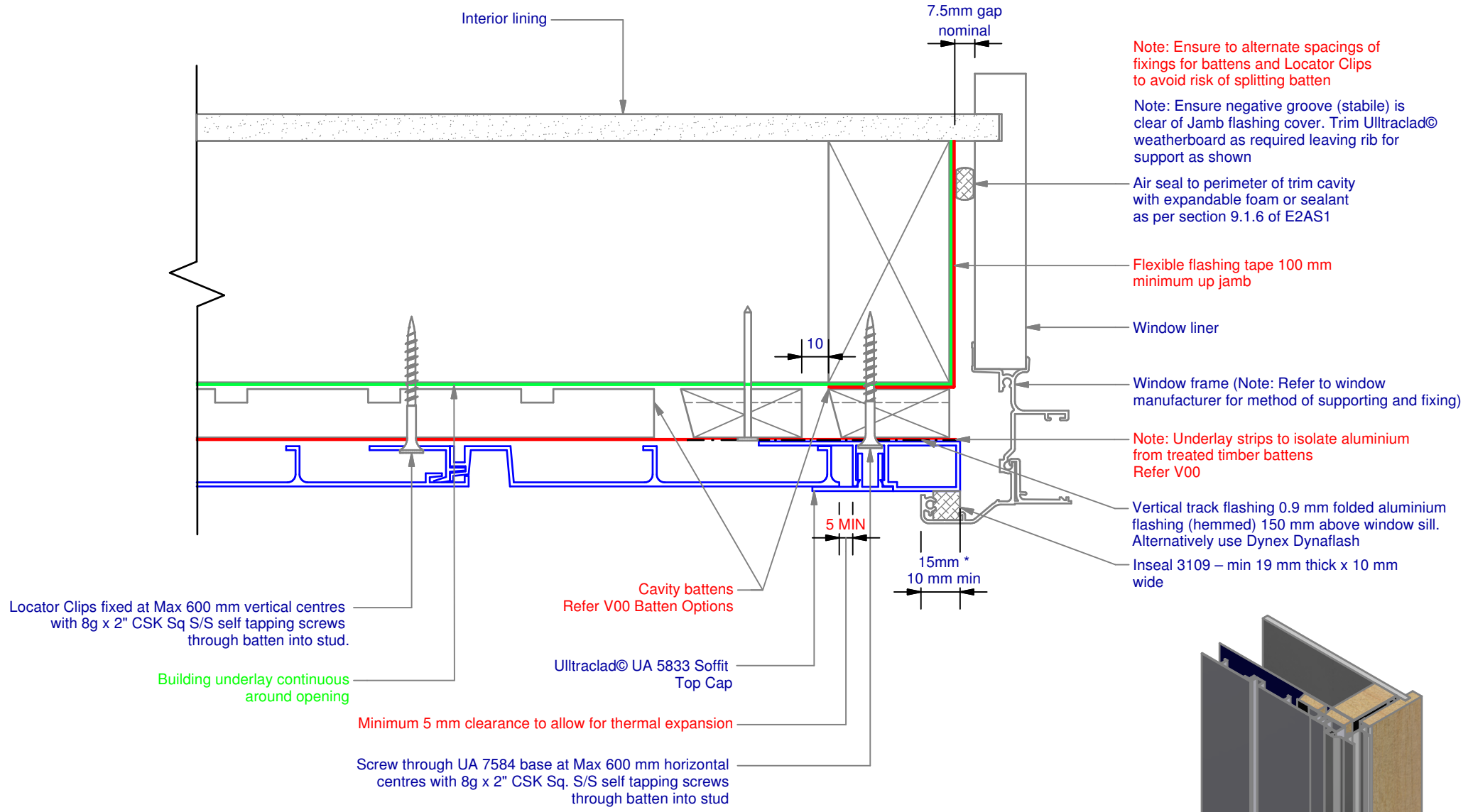
ULLTRACLAD[®]
ALUMINIUM WEATHERBOARDS

ULLRICH ALUMINIUM CO LTD
PO Box 98 843 Manukau City Auckland 2241
118 Wiri Station Road Wiri 2104 New Zealand
TL 09 262 6262 Ext. 814 Mob 021 541 563
www.ulltraclad.co.nz
© ULLRICH ALUMINIUM - All Rights Reserved

V08
Rev : 08

Window Head on Cavity
UA 6975 SHADOLINE BOARD
VERTICAL CAVITY SYSTEM
Scale: 1 : 2 @ A4 - 2017

Brnz Appraisal #796 2013. (Vertical)



Note: Ensure to alternate spacings of fixings for battens and Locator Clips to avoid risk of splitting batten

Note: Ensure negative groove (stable) is clear of Jamb flashing cover. Trim Ulltraclad® weatherboard as required leaving rib for support as shown

Air seal to perimeter of trim cavity with expandable foam or sealant as per section 9.1.6 of E2AS1

Flexible flashing tape 100 mm minimum up jamb

Window liner

Window frame (Note: Refer to window manufacturer for method of supporting and fixing)

Note: Underlay strips to isolate aluminium from treated timber battens Refer V00

Vertical track flashing 0.9 mm folded aluminium flashing (hemmed) 150 mm above window sill. Alternatively use Dynex Dynafash

Insole 3109 – min 19 mm thick x 10 mm wide

Locator Clips fixed at Max 600 mm vertical centres with 8g x 2" CSK Sq S/S self tapping screws through batten into stud.

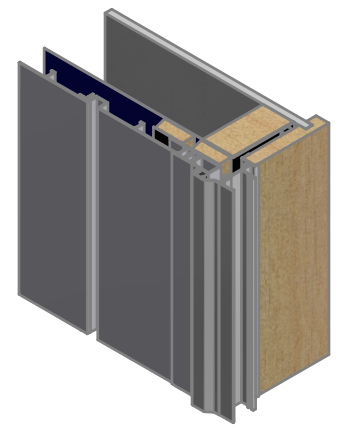
Building underlay continuous around opening

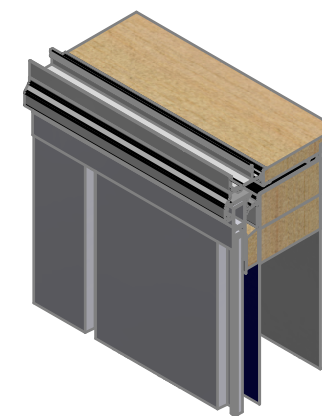
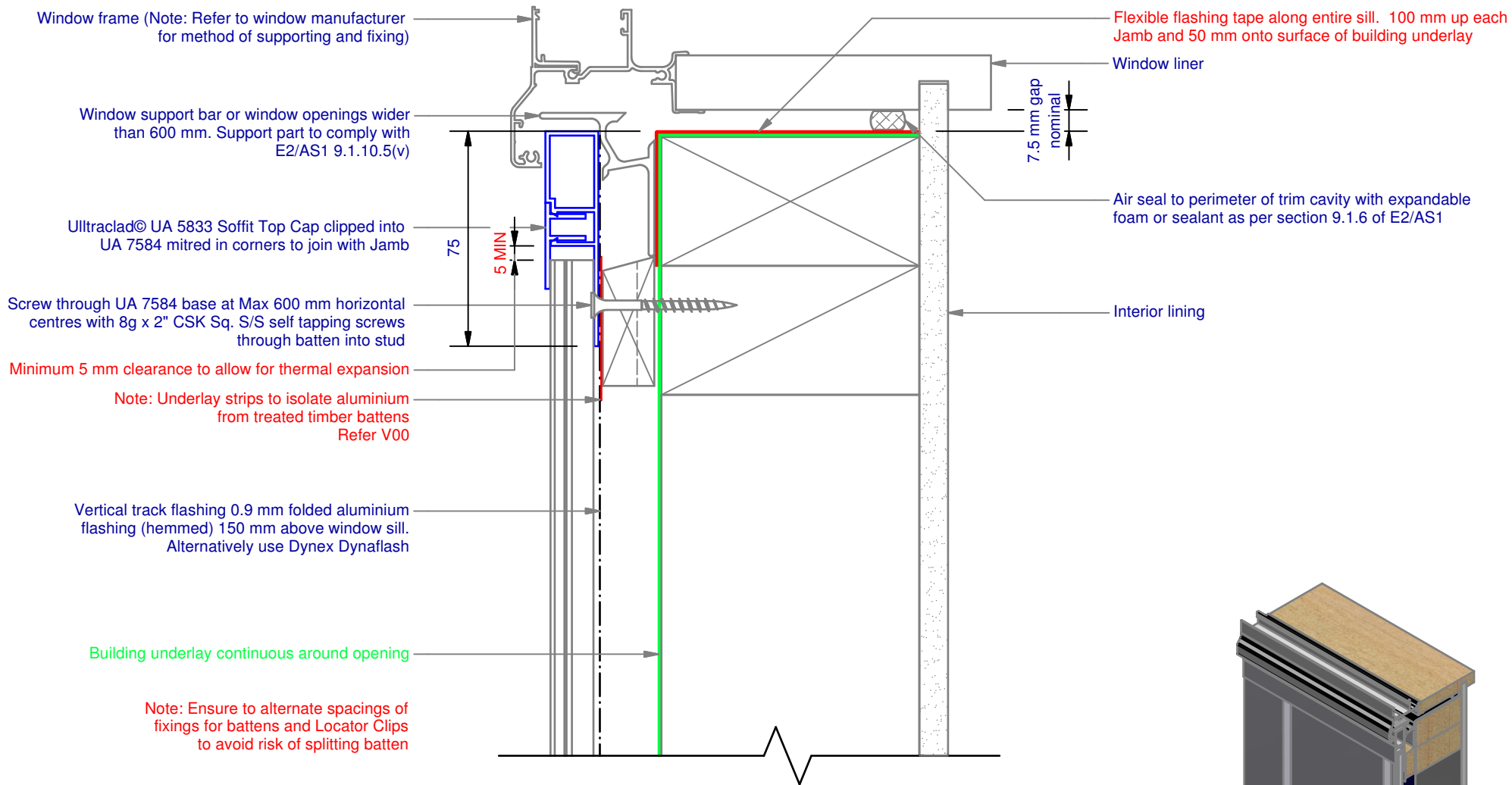
Ulltraclad® UA 5833 Soffit Top Cap

Minimum 5 mm clearance to allow for thermal expansion

Screw through UA 7584 base at Max 600 mm horizontal centres with 8g x 2" CSK Sq. S/S self tapping screws through batten into stud

Cavity battens Refer V00 Batten Options





ULLTRACLAD®
ALUMINIUM WEATHERBOARDS

ULLRICH ALUMINIUM CO LTD
PO Box 98 843 Manukau City Auckland 2241
118 Wiri Station Road Wiri 2104 New Zealand
TL 09 262 6262 Ext. 814 Mob 021 541 563

www.ulltraclad.co.nz

© ULLRICH ALUMINIUM - All Rights Reserved

V10

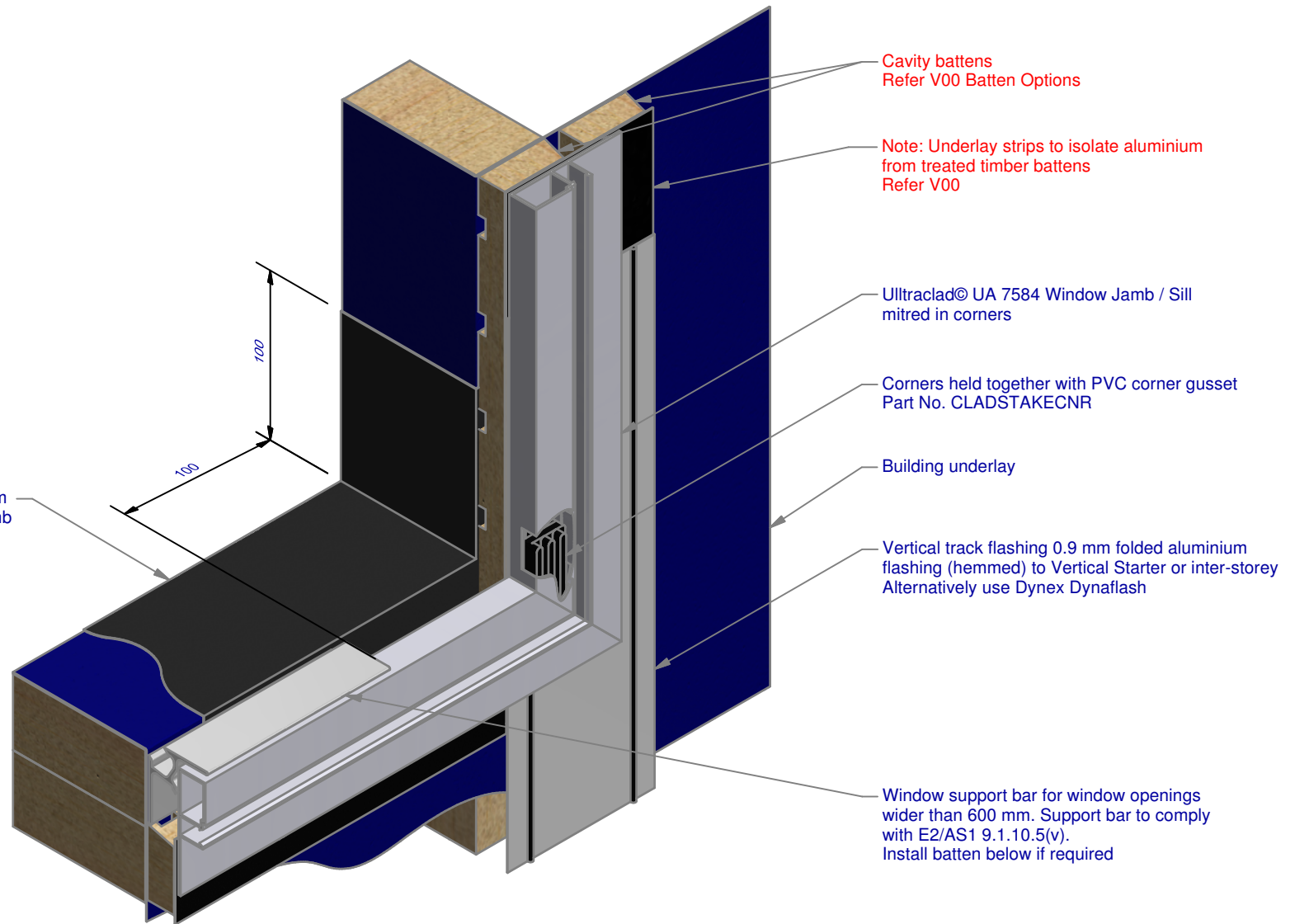
Rev : 08

Window Sill on Cavity
UA 6975 SHADOLINE BOARD

VERTICAL CAVITY SYSTEM

Scale: 1 : 2 @ A4 - 2017

Brnz Appraisal #796 2013. (Vertical)



Cavity battens
Refer V00 Batten Options

Note: Underlay strips to isolate aluminium
from treated timber battens
Refer V00

Ultraclad® UA 7584 Window Jamb / Sill
mitred in corners

Corners held together with PVC corner gusset
Part No. CLADSTAKECNR

Building underlay

Vertical track flashing 0.9 mm folded aluminium
flashing (hemmed) to Vertical Starter or inter-storey
Alternatively use Dynex Dynafash

Window support bar for window openings
wider than 600 mm. Support bar to comply
with E2/AS1 9.1.10.5(v).
Install batten below if required

Flexible flashing tape along sill to continue 50 mm
onto face of wall and 100 minimum up each Jamb

ULLTRACLAD®
ALUMINIUM WEATHERBOARDS

ULLRICH ALUMINIUM CO LTD
PO Box 98 843 Manukau City Auckland 2241
118 Wiri Station Road Wiri 2104 New Zealand
TL 09 262 6262 Ext. 814 Mob 021 541 563

www.ulltracalad.co.nz

© ULLRICH ALUMINIUM - All Rights Reserved

V11

Rev : 08

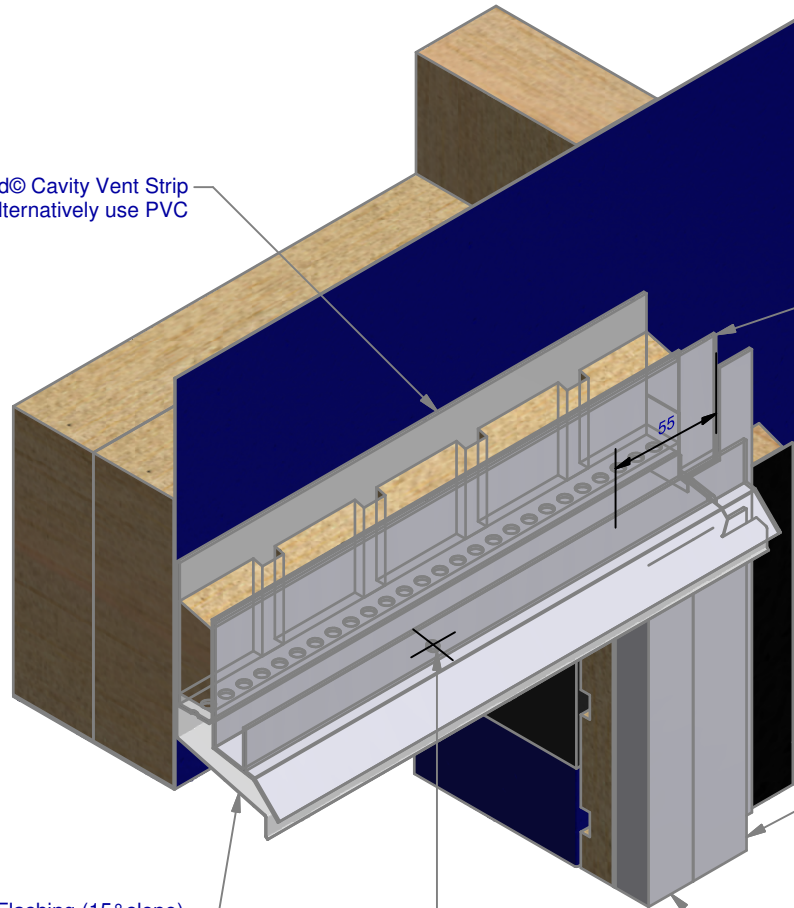
Sill-Jamb on Cavity
UA 6975 SHADOLINE BOARD

VERTICAL CAVITY SYSTEM

Scale: 1 : 3 @ A4 - 2017

Brnz Appraisal #796 2013. (Vertical)

Ultraclad® Cavity Vent Strip
Alternatively use PVC



Ultraclad® UA 4533
Head Starter

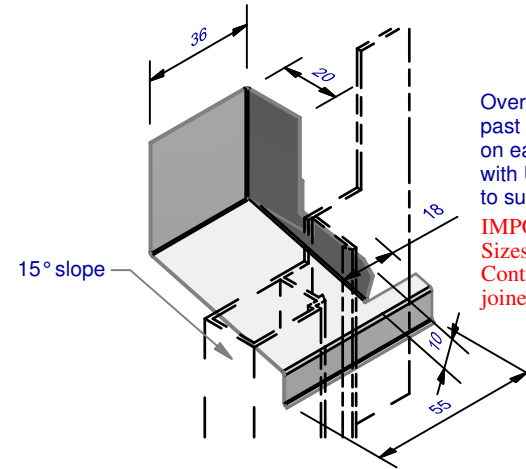
Ultraclad® UA 5833
Soffit Clip Top

Ultraclad® UA 7584
Jamb Flashing

Window Head Flashing (15° slope)
folded stop end. (Note: not supplied
with Ultraclad® system - contractor
to supply as additional flashing)

Ultraclad® UA 4533 Head Starter 5 mm diameter drainage
holes drilled through base of Head Starter at 300 mm centres

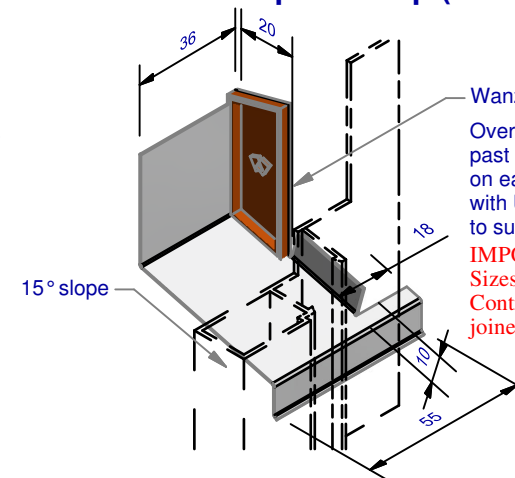
Window Head Flashing **Option 1** Cut & Fold Stop End (1 : 2)



Overall Head Flashing length = +40 mm
past edge of window and door joinery
on each side. (Note: not supplied
with Ultraclad® system - contractor
to supply as additional flashing)

IMPORTANT:
Sizes shown are indicative only!
Contractor to confirm onsite as
joinery suites may vary.

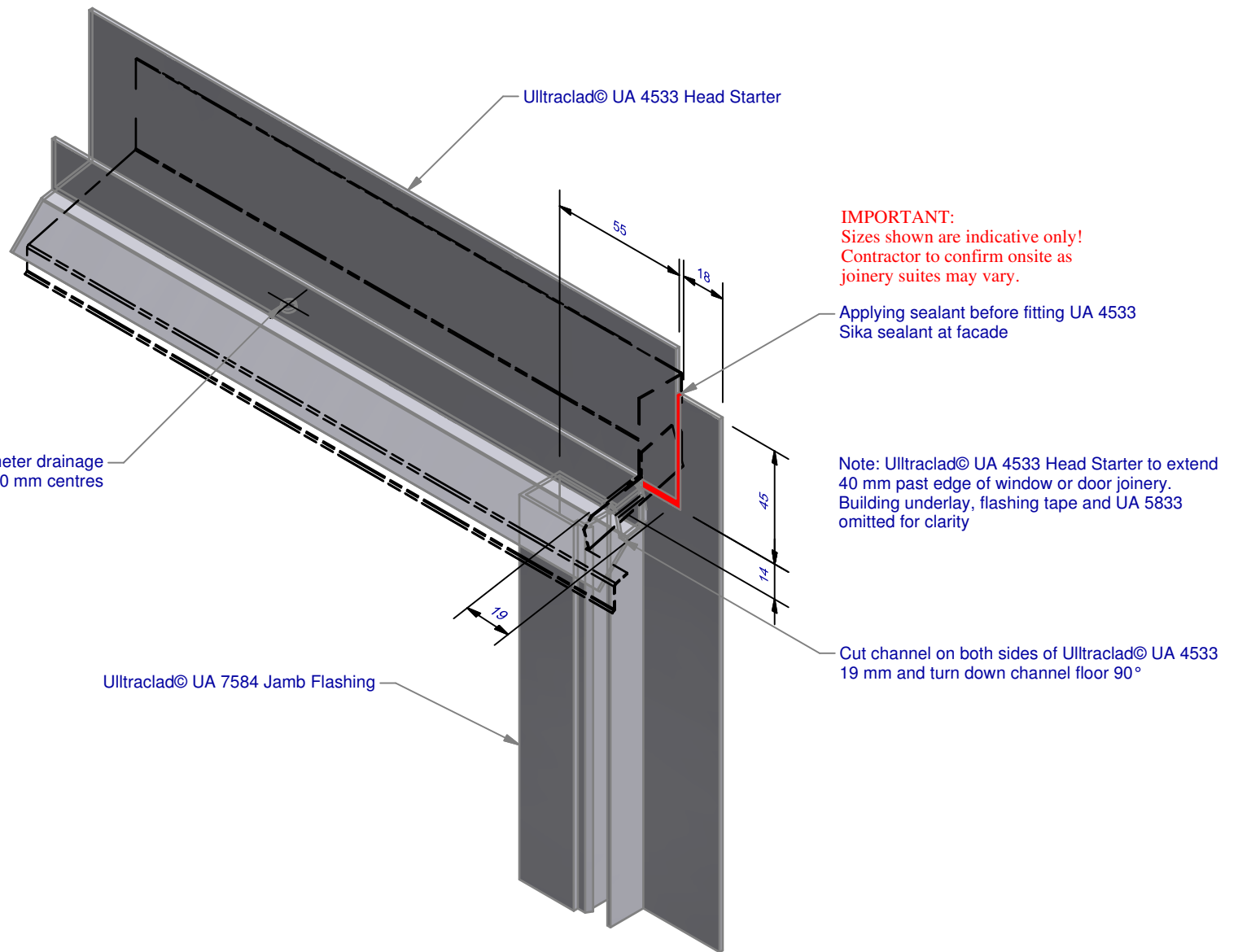
Window Head Flashing **Option 2** Wanz Plastic Stop End Cap (1 : 2)



Wanz Plastic Stop End

Overall Head Flashing length = +40 mm
past edge of window and door joinery
on each side. (Note: not supplied
with Ultraclad® system - contractor
to supply as additional flashing)

IMPORTANT:
Sizes shown are indicative only!
Contractor to confirm onsite as
joinery suites may vary.



Ulltraclad® UA 4533 Head Starter

IMPORTANT:
 Sizes shown are indicative only!
 Contractor to confirm onsite as
 joinery suites may vary.

Applying sealant before fitting UA 4533
 Sika sealant at facade

Note: Ulltraclad® UA 4533 Head Starter to extend
 40 mm past edge of window or door joinery.
 Building underlay, flashing tape and UA 5833
 omitted for clarity

Cut channel on both sides of Ulltraclad® UA 4533
 19 mm and turn down channel floor 90°

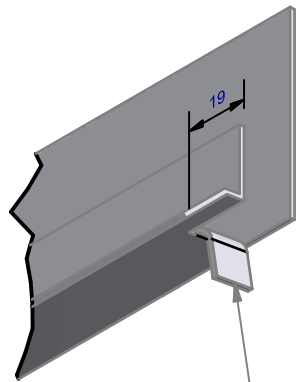
Ulltraclad® UA 4533 Head Starter 5 mm diameter drainage
 holes drilled through base of Head Starter at 300 mm centres

Ulltraclad® UA 7584 Jamb Flashing

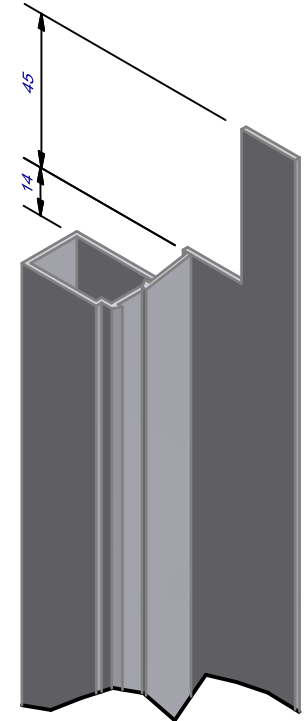
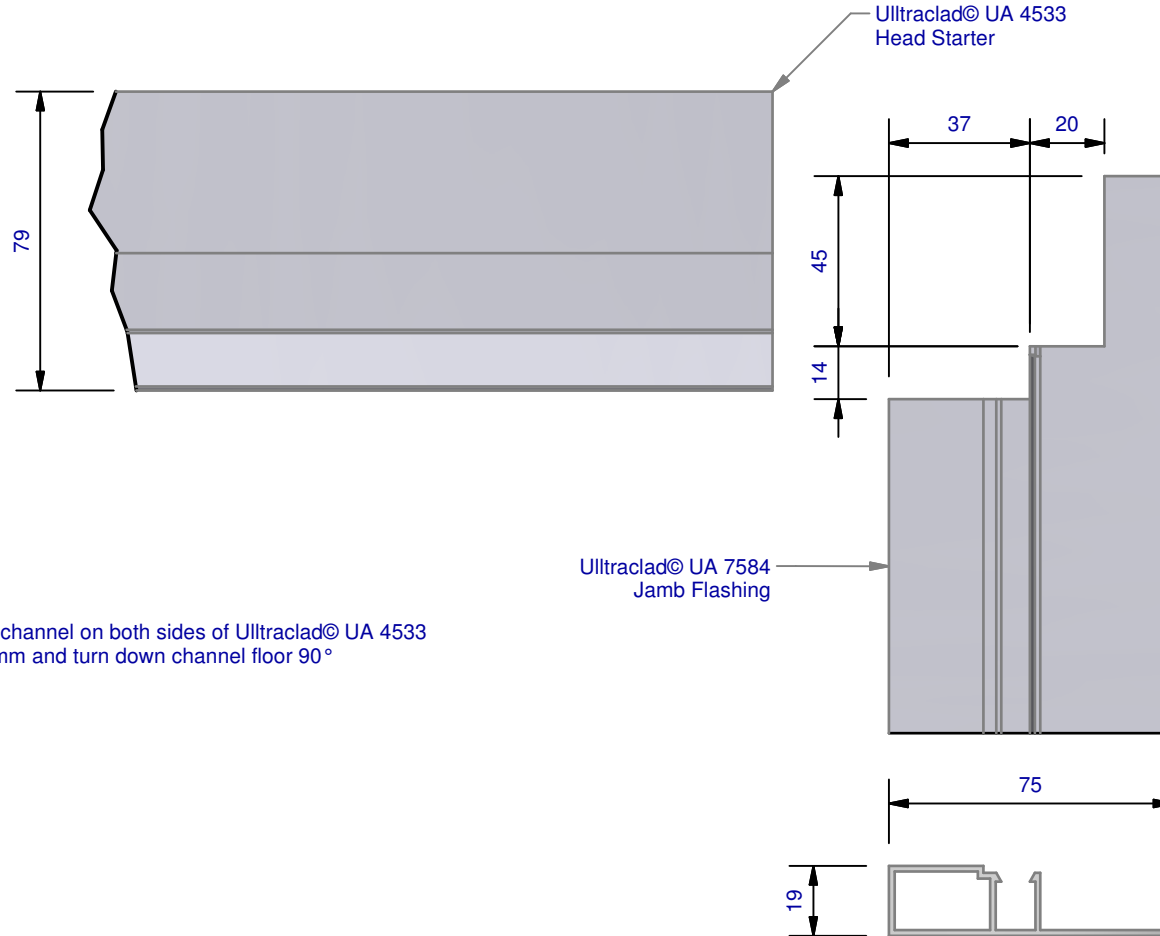
Ultraclad® UA 4533 Head Starter 5 mm diameter drainage holes drilled through base of Head Starter at 300 mm centres



IMPORTANT:
 Sizes shown are indicative only!
 Contractor to confirm onsite as
 joinery suites may vary.



Cut channel on both sides of Ultraclad® UA 4533
 19 mm and turn down channel floor 90°



ULLTRACLAD®
 ALUMINIUM WEATHERBOARDS

ULLRICH ALUMINIUM CO LTD
 PO Box 98 843 Manukau City Auckland 2241
 118 Wiri Station Road Wiri 2104 New Zealand
 TL 09 262 6262 Ext. 814 Mob 021 541 563
 www.ulltraclad.co.nz
 © ULLRICH ALUMINIUM - All Rights Reserved

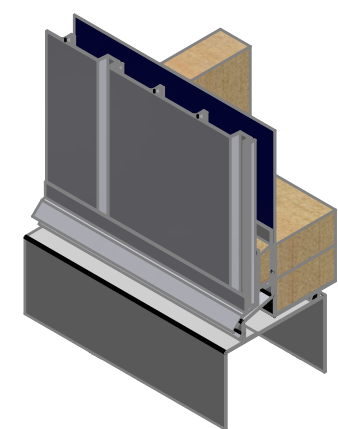
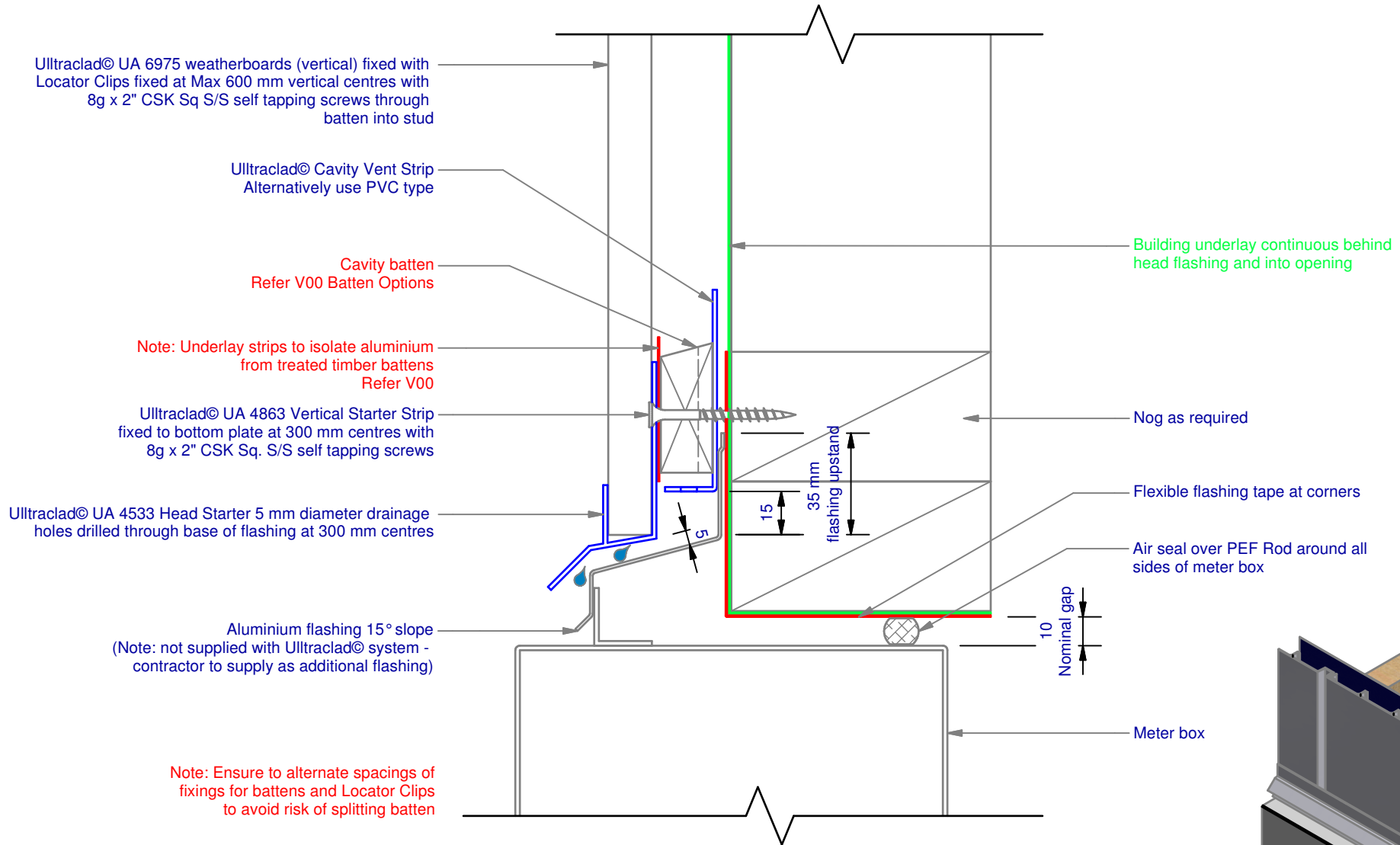
V14

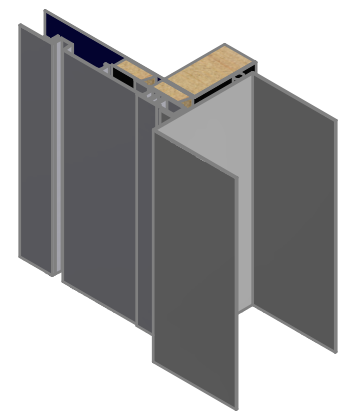
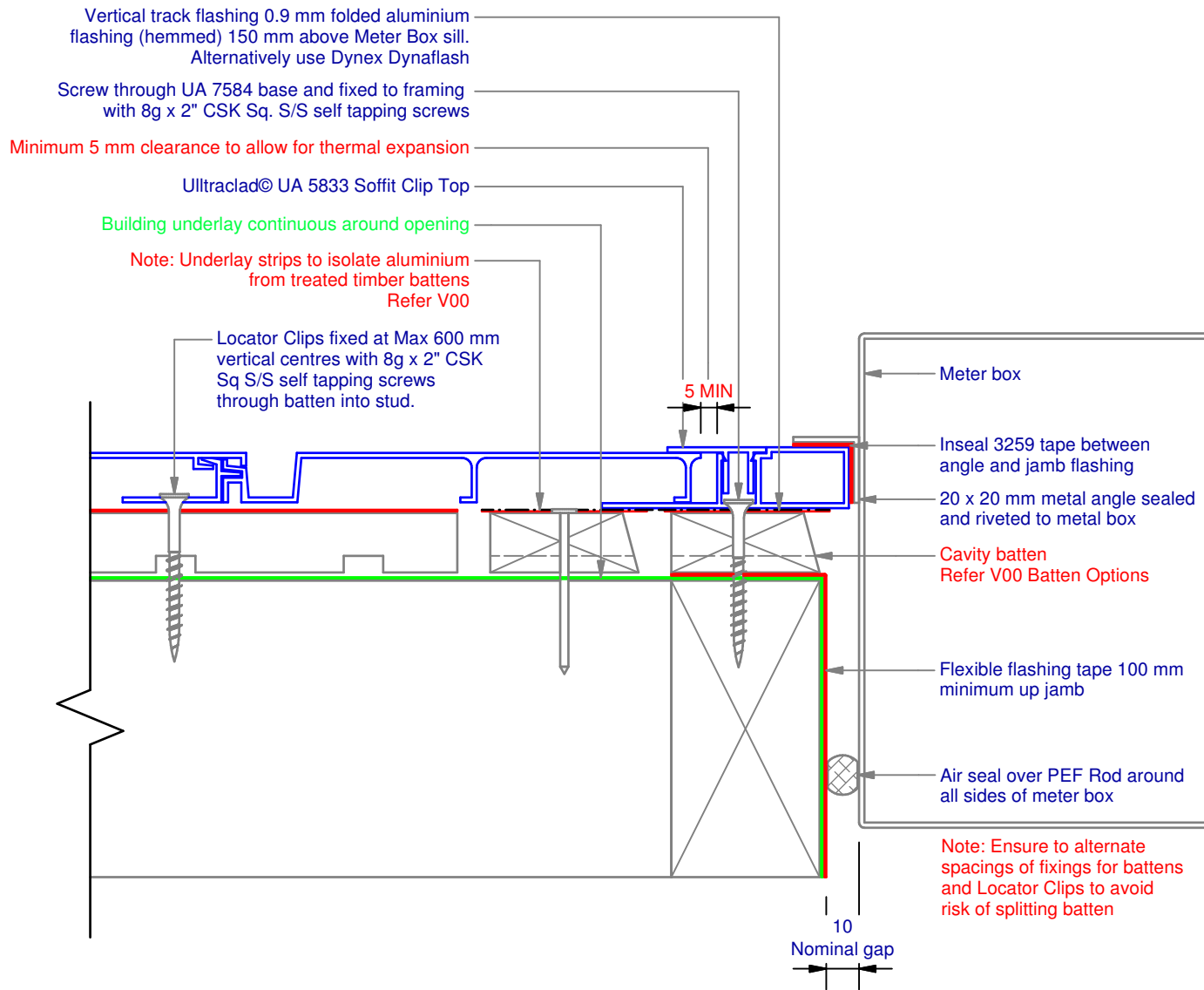
Rev : 08

Head - Jamb Notching Details
 UA 6975 SHADOLINE BOARD

VERTICAL CAVITY SYSTEM
 Scale: 1 : 2 @ A4 - 2017

Brnz Appraisal #796 2013. (Vertical)





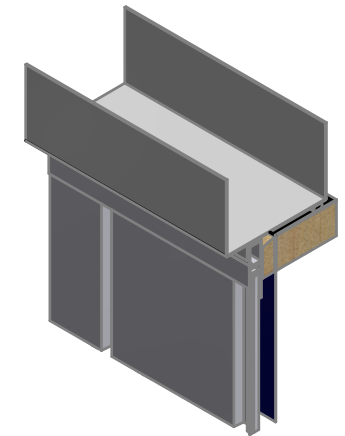
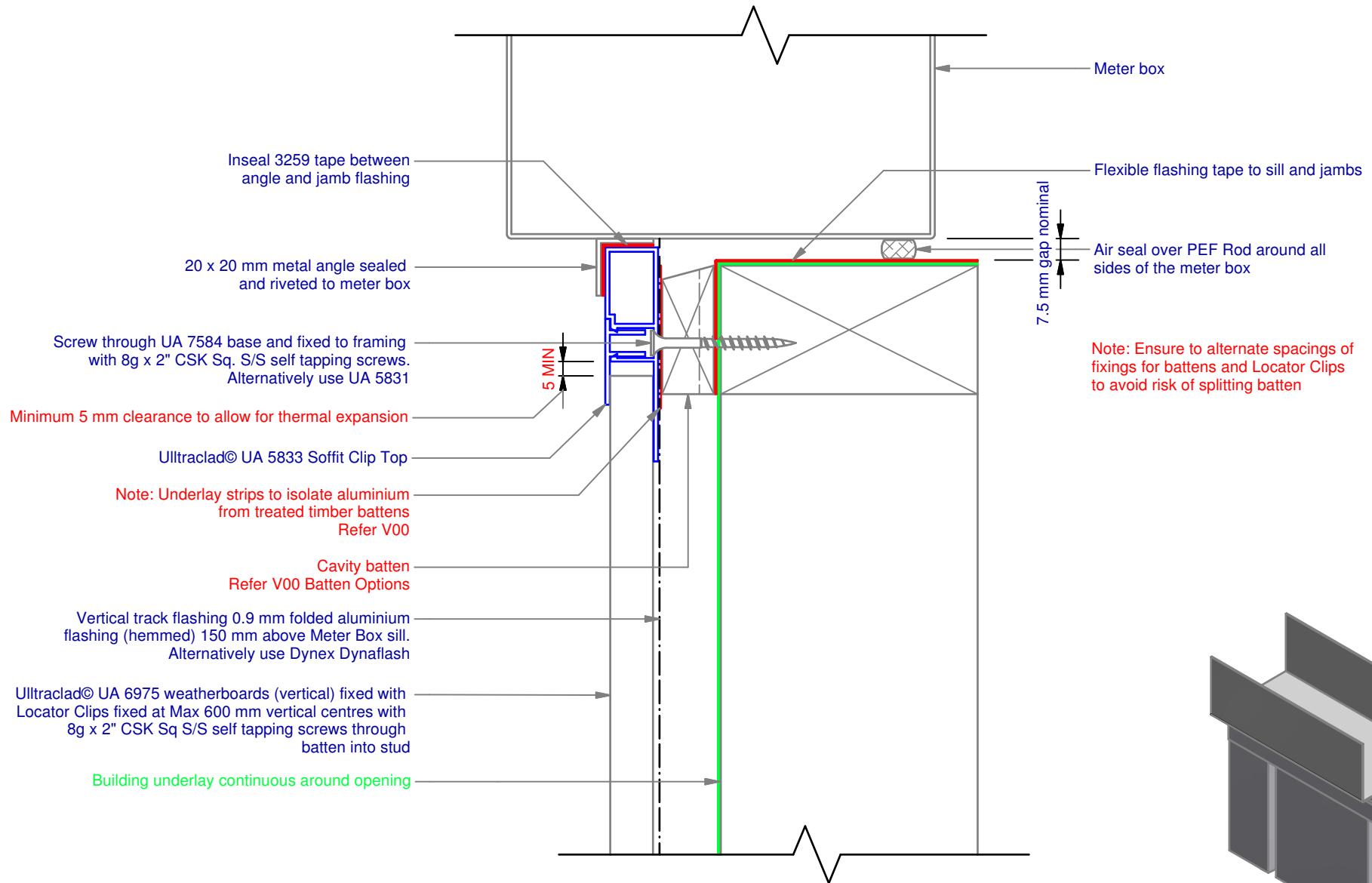
ULLTRACLAD[®]
ALUMINIUM WEATHERBOARDS

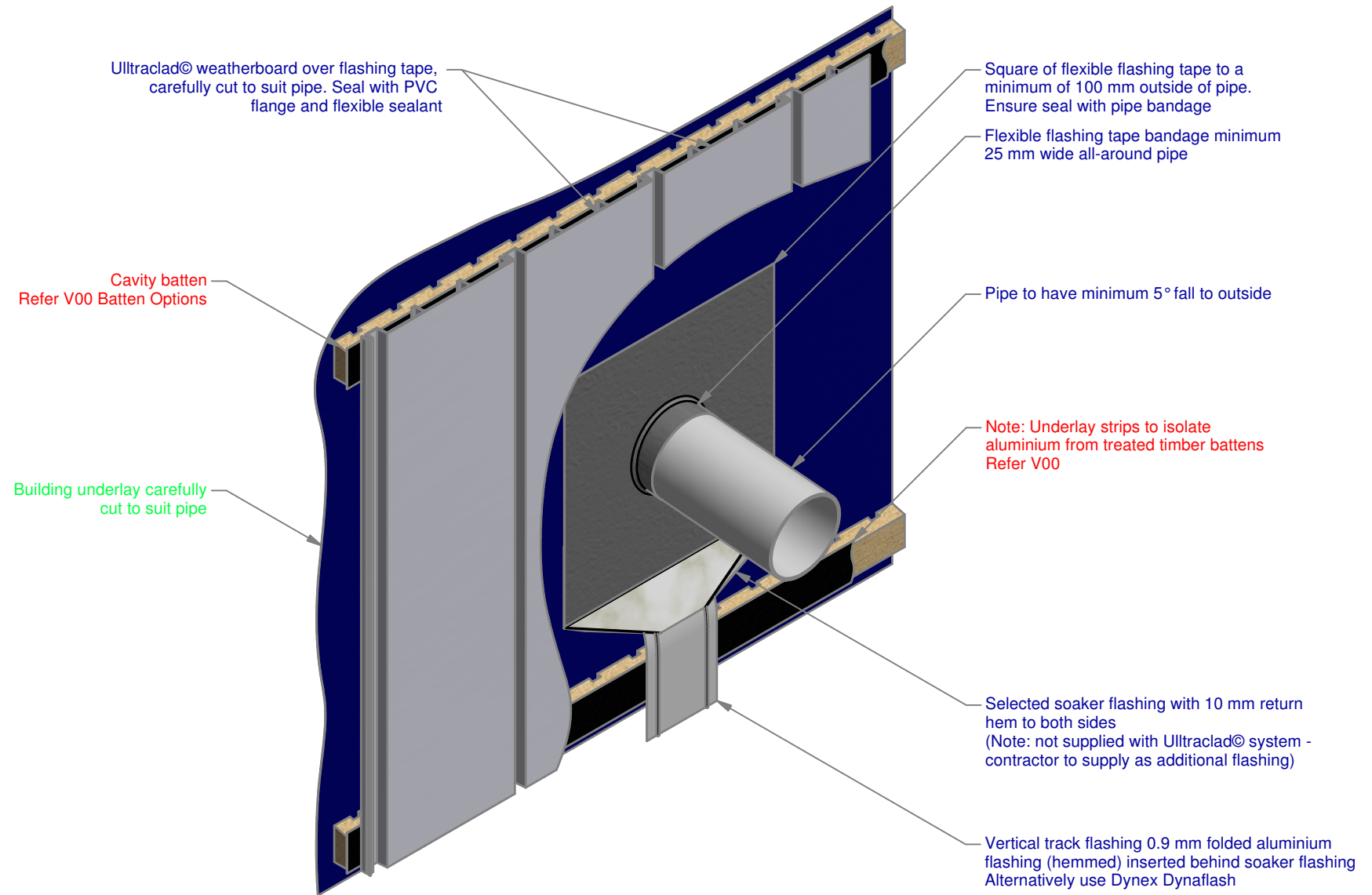
ULLRICH ALUMINIUM CO LTD
PO Box 98 843 Manukau City Auckland 2241
118 Wiri Station Road Wiri 2104 New Zealand
TL 09 262 6262 Ext. 814 Mob 021 541 563
www.ulltraclad.co.nz
© ULLRICH ALUMINIUM - All Rights Reserved

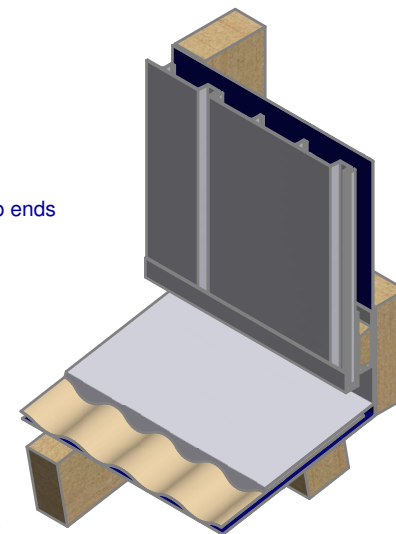
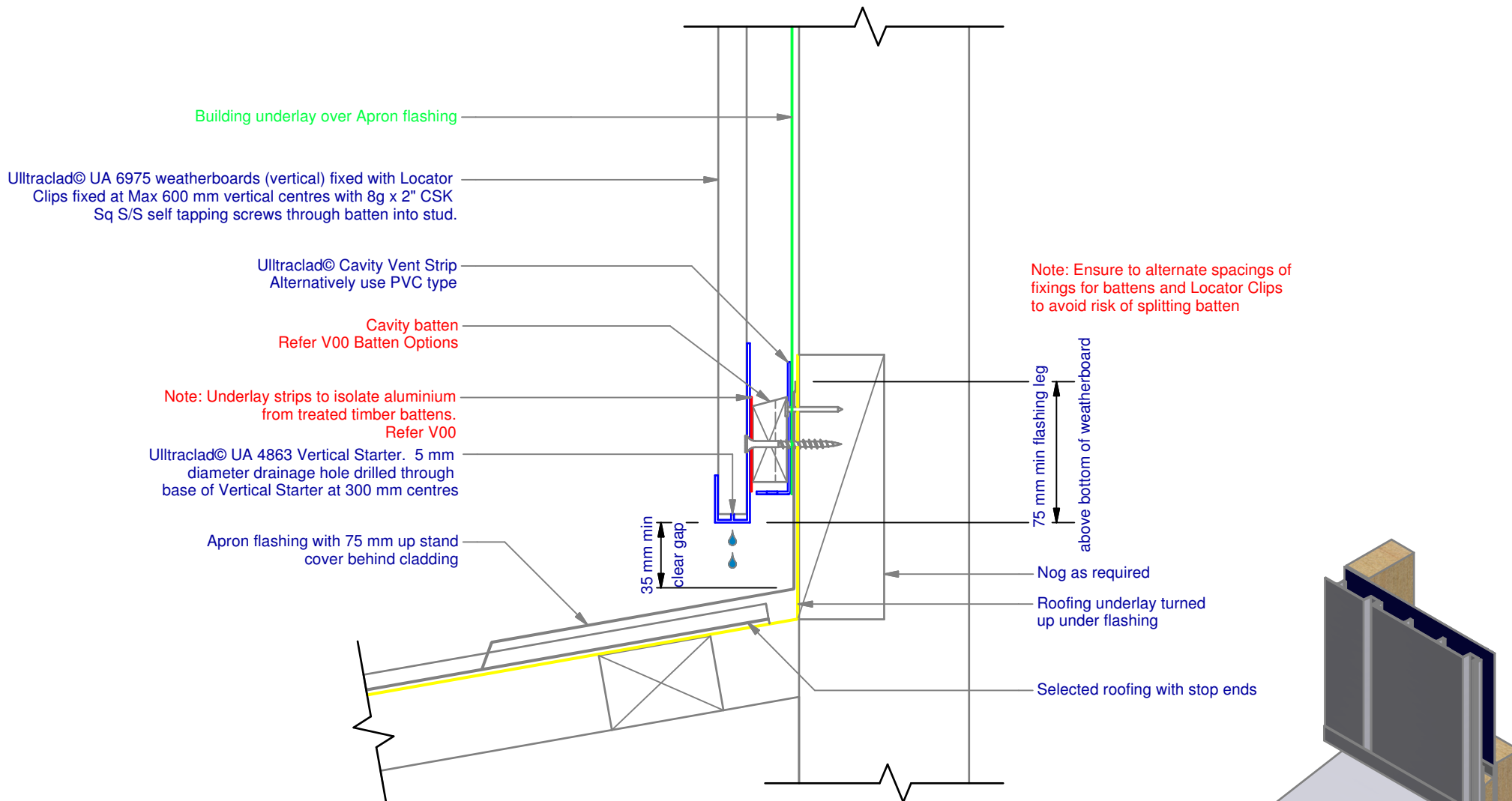
V16
Rev : 08

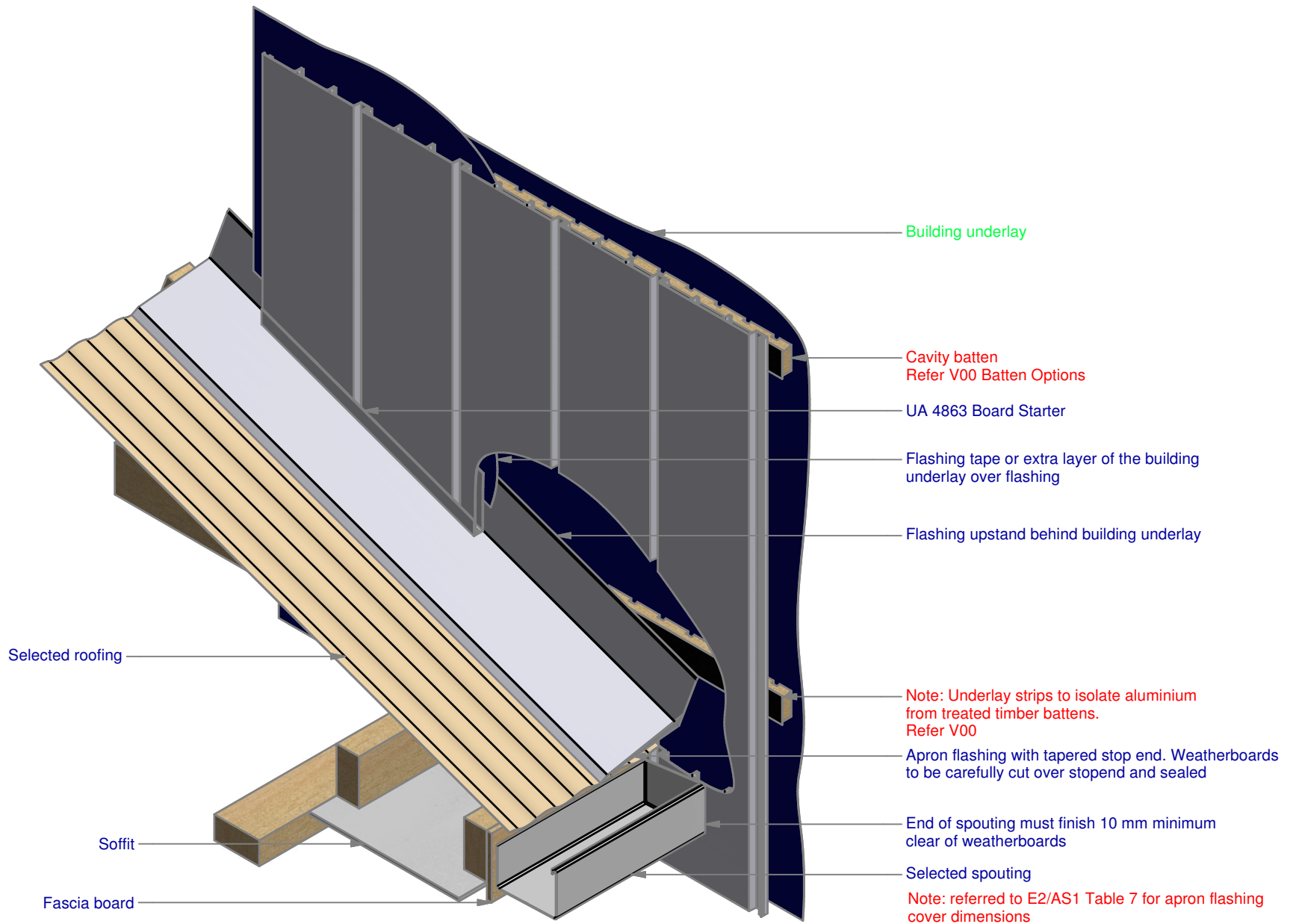
Meter Box Jamb on Cavity
UA 6975 SHADOLINE BOARD
VERTICAL CAVITY SYSTEM
Scale: 1 : 2 @ A4 - 2017

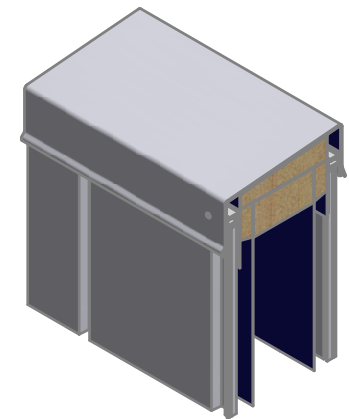
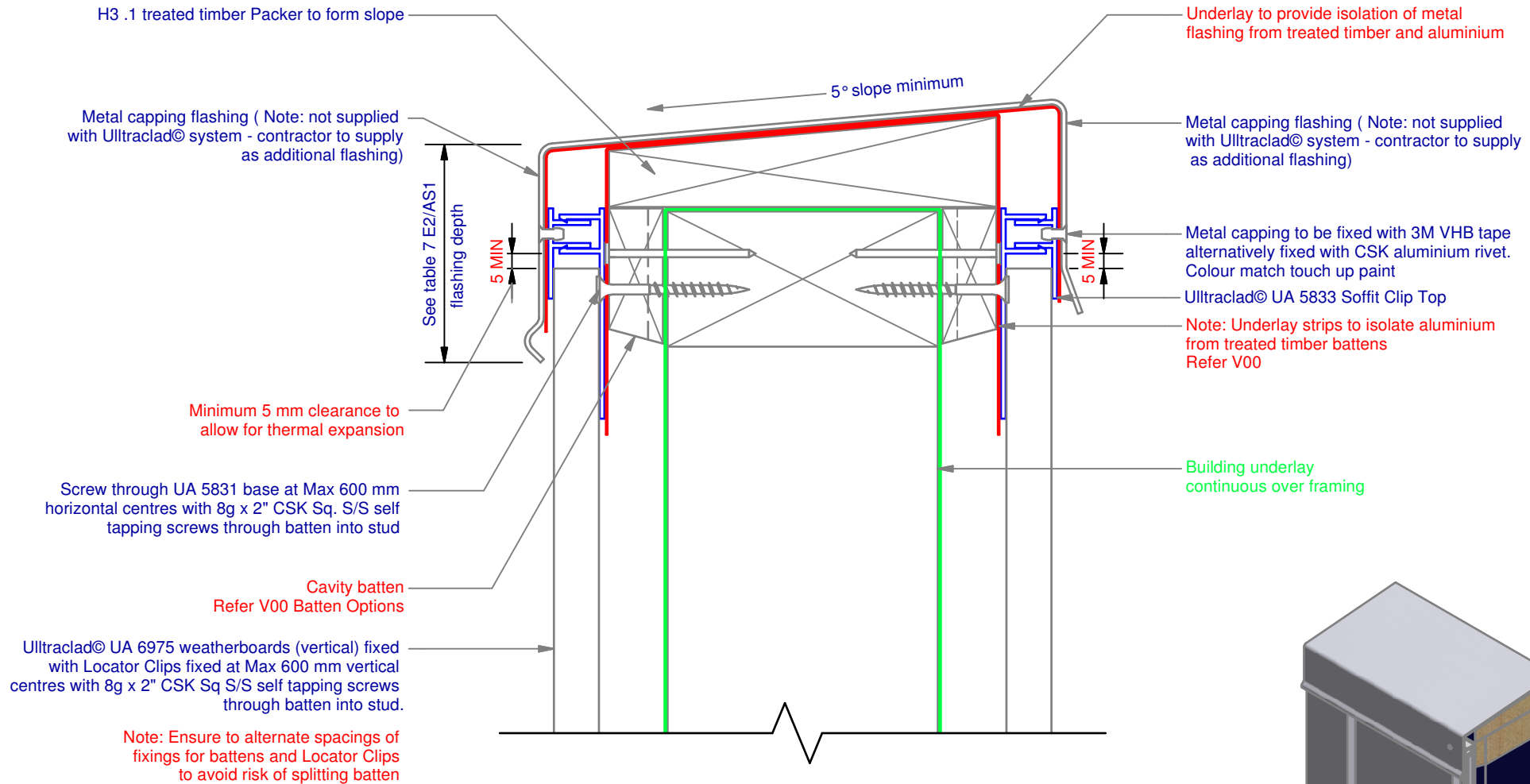
Brnz Appraisal #796 2013. (Vertical)

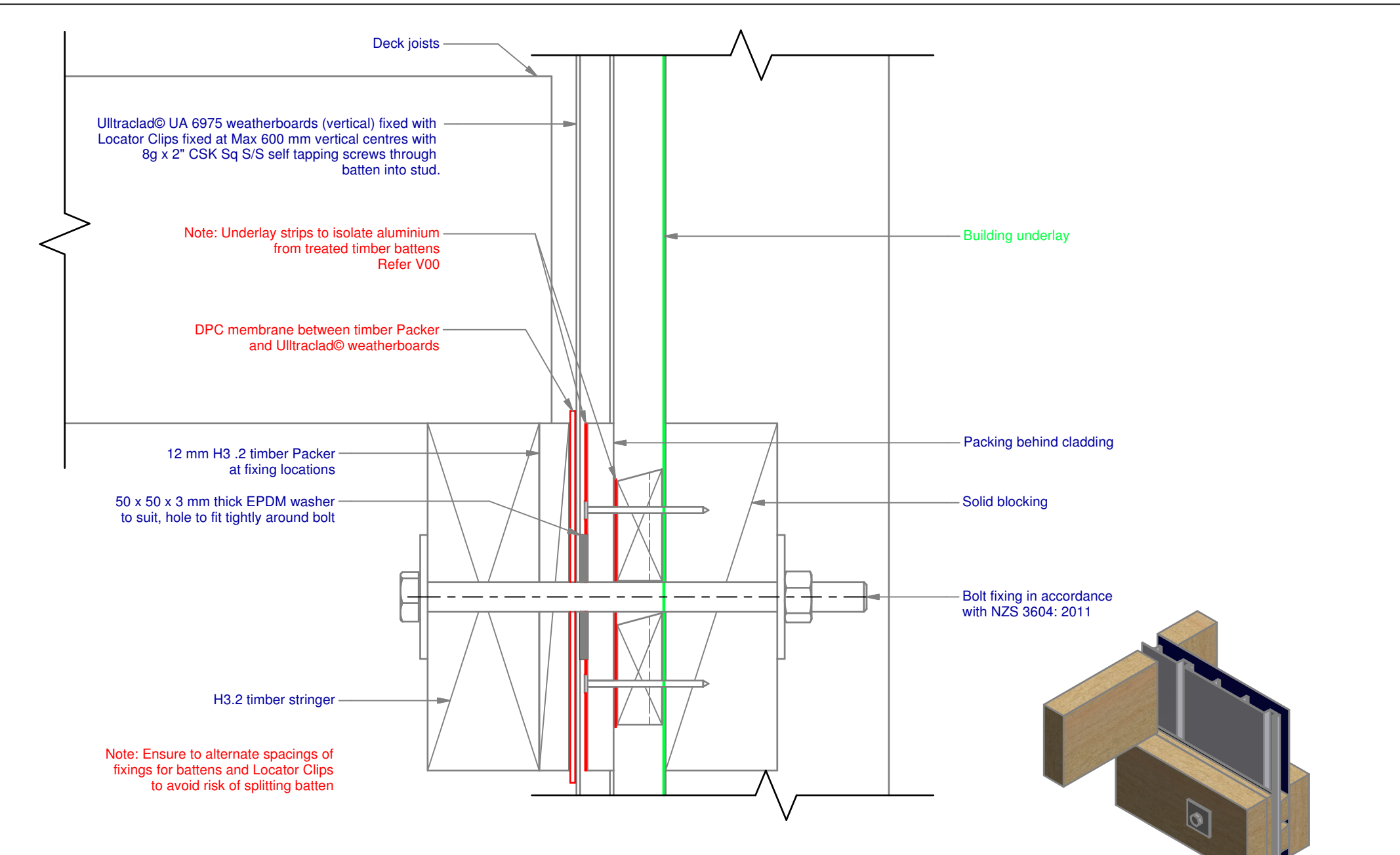












Ultraclad® UA 6975 weatherboards (vertical) fixed with Locator Clips fixed at Max 600 mm vertical centres with 8g x 2" CSK Sq S/S self tapping screws through batten into stud.

Note: Underlay strips to isolate aluminium from treated timber battens Refer V00

DPC membrane between timber Packer and Ultraclad® weatherboards

12 mm H3.2 timber Packer at fixing locations

50 x 50 x 3 mm thick EPDM washer to suit, hole to fit tightly around bolt

H3.2 timber stringer

Note: Ensure to alternate spacings of fixings for battens and Locator Clips to avoid risk of splitting batten

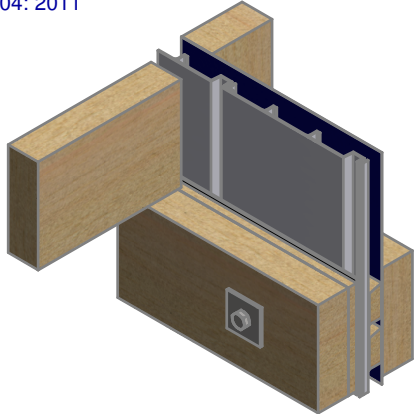
Deck joists

Building underlay

Packing behind cladding

Solid blocking

Bolt fixing in accordance with NZS 3604: 2011



ULLTRACLAD®
ALUMINIUM WEATHERBOARDS

ULLRICH ALUMINIUM CO LTD
PO Box 98 843 Manukau City Auckland 2241
118 Wiri Station Road Wiri 2104 New Zealand
TL 09 262 6262 Ext. 814 Mob 021 541 563
www.ulltracalad.co.nz
© ULLRICH ALUMINIUM - All Rights Reserved

V22
Rev : 08

Deck Junction on Cavity
UA 6975 SHADOLINE BOARD

VERTICAL CAVITY SYSTEM
Scale: 1 : 2 @ A4 - 2017

Brnz Appraisal #796 2013. (Vertical)

Note: Ensure to alternate spacings of fixings for battens and Locator Clips to avoid risk of splitting batten

Ultraclad® UA 6975 weatherboards (vertical) fixed with Locator Clips fixed at Max 600 mm vertical centres with 8g x 2" CSK Sq S/S self tapping screws through batten into stud.

Building underlay

Cavity batten
Refer V00 Batten Options

Note: Underlay strips to isolate aluminium from treated timber battens
Refer V00

Ultraclad® UA 4863 Vertical Starter Strip fixed to bottom plate at 300 mm centres with 8g x 2" CSK Sq S/S self tapping screws

Ultraclad® UA 4863 with 5 mm diameter drainage holes drilled through base of Starter at 300 mm centres

Aluminium inter-storey flashing 15° slope
(Note: not supplied with Ultraclad® system - contractor to supply as additional flashing)

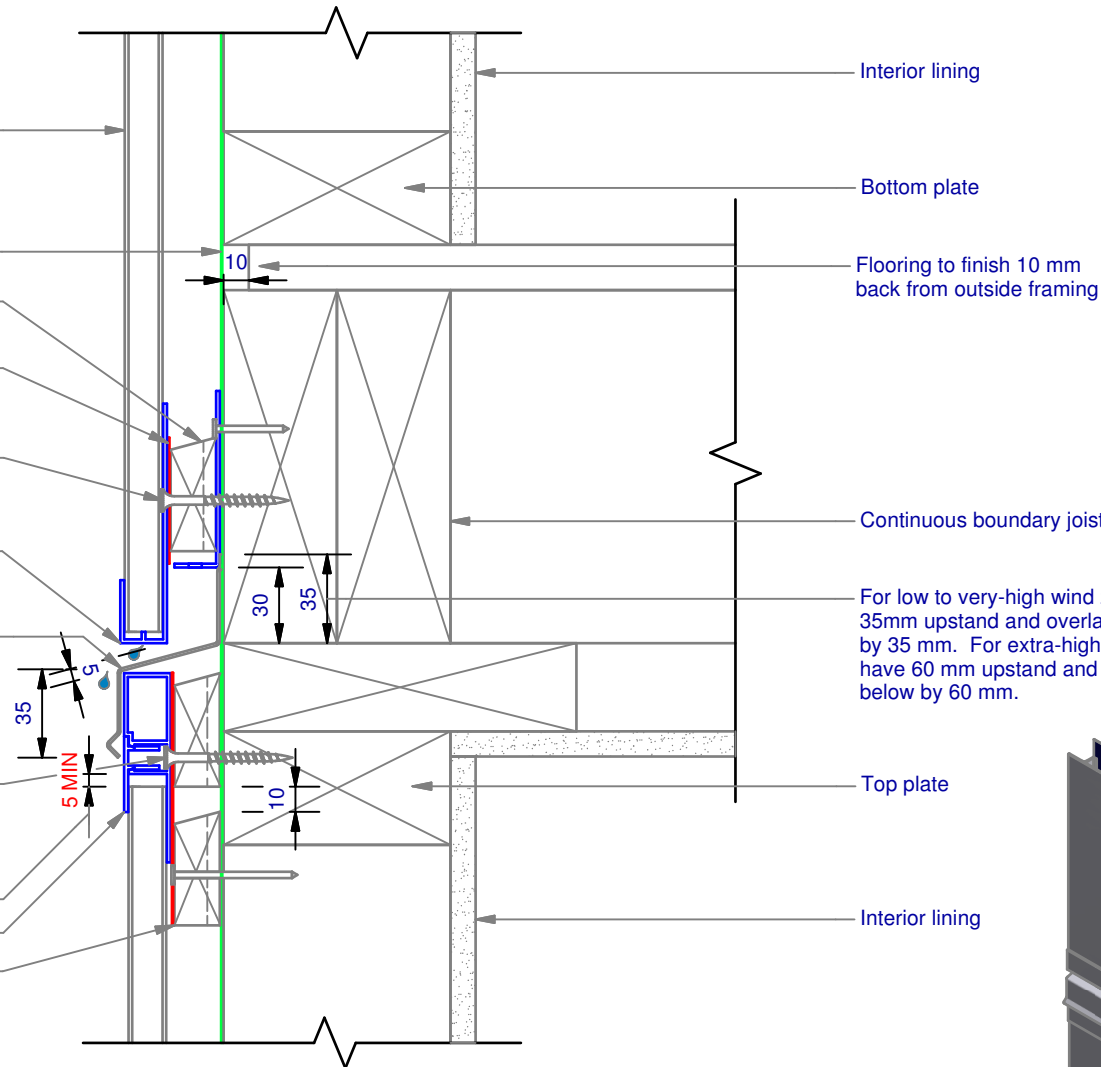
Screw through UA 7584 base at Max 600 mm horizontal centres with 8g x 2" CSK Sq. S/S self tapping screws through batten into stud

Minimum 5 mm clearance to allow for thermal expansion

Ultraclad® UA 5833 Soffit Clip Top

Cavity batten
Refer V00 Batten Options

Note: this detail is required to limit cavities to 2 storeys or 7 m Max - Refer E2/AS1 clause 9.1.9.4



Interior lining

Bottom plate

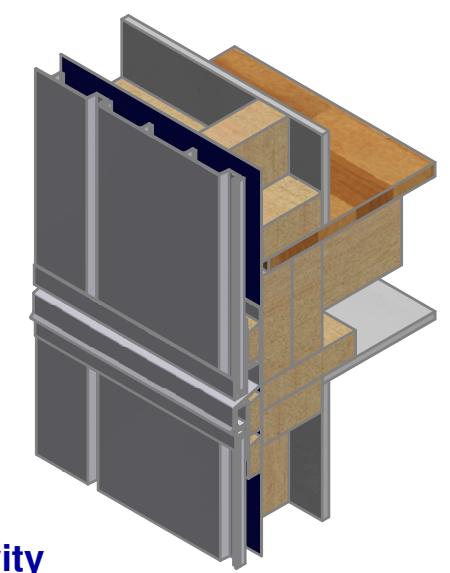
Flooring to finish 10 mm back from outside framing

Continuous boundary joists

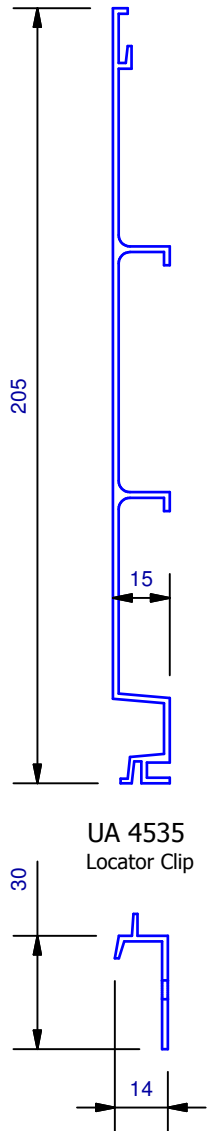
For low to very-high wind zones the 'Z' flashing must have a 35mm upstand and overlap the weatherboard face below by 35 mm. For extra-high wind zones the 'Z' flashing must have 60 mm upstand and overlap the weatherboard face below by 60 mm.

Top plate

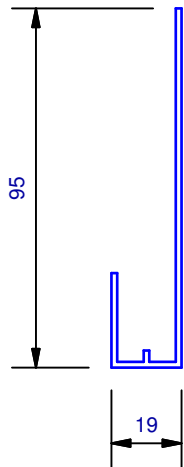
Interior lining



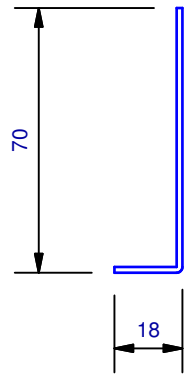
UA 6975
Shadoline board



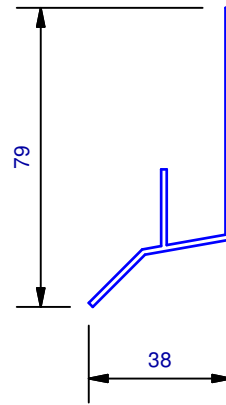
UA 4863
Vertical Board Starter



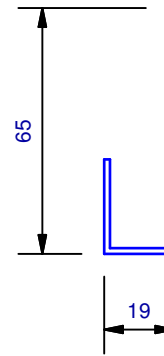
Cavity Vent Strip



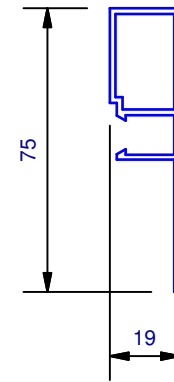
UA 4533
Head Starter



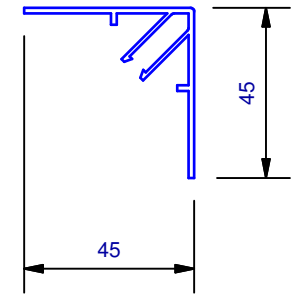
UA 4532
J Moulding



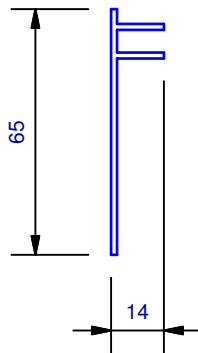
UA 7584
Jamb/Sill Clip Base



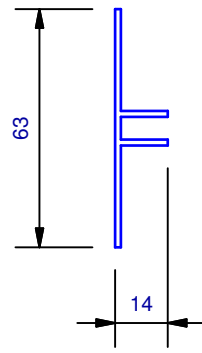
UA 7094
Female Flat Corner



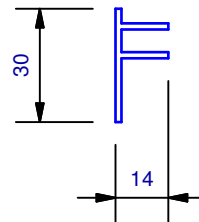
UA 5832
Soffit 65mm Clip Top



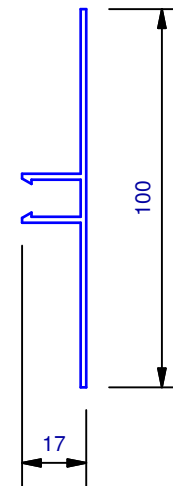
UA 7096
Flat Jointer Top



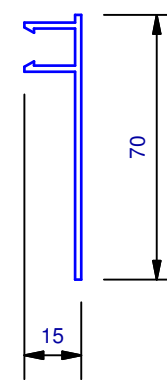
UA 5833
Soffit 30mm Clip Top



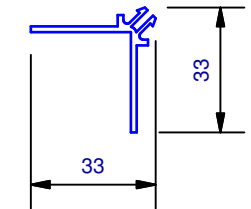
UA 6324
2 Piece Jointer Base



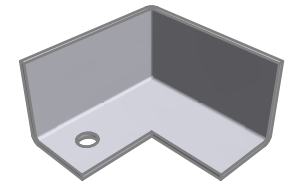
UA 5831
Soffit Clip Base



UA 7095
Male Flat Corner



CLADCNRCAP
Corner Cap



CLADSTAKECNR
Plastic Staking Corner

