

# CMPP – Plaque Ceiling Diffuser

## Model: CMPP Plaque Diffuser

The CMPP Plaque Diffuser offers an alternative appearance to the CMP series of diffuser, where the performance characteristics of a traditional louvered face diffuser are required. The CMPP is a variation on the CMP diffuser where the inner louvers are replaced with a plaque, leaving only the outer slot available for air supply.

### Features

- Clean Modern Architectural design.
- 4- way air distribution pattern.
- Removable core.
- Extended throw projection.
- Low noise generation.
- Durable powder coat finish.
- Lightweight Premi-Aire and galvanised cushion head boxes available.

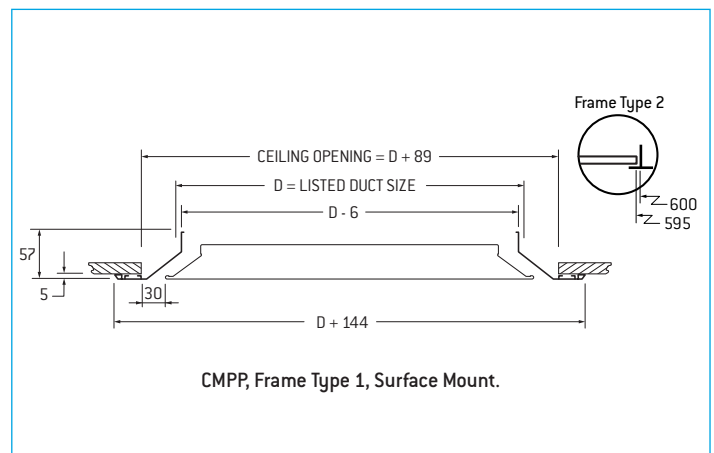
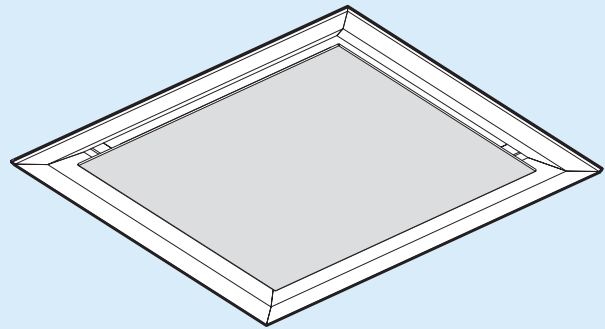
### Performance

The CMPP has a throw pattern similar to a CPMH diffuser and as such is suitable for variable volume applications. Due to the inner louvers having been replaced with a blanking plaque, the amount of air that the CMPP can handle is small compared to other similar sized diffusers. The CMPP would most often be specified due to its visual appearance.

### Construction

CMPP Plaque diffusers are constructed of aluminium. Precision combination corner gussets and braces keep mitres to a hairline. Aluminium rivets hold the fascia rigidly to an aluminium frame, to form a sturdy plaque core. The core snaps into the surround with nickel plated spring steel thumb clips. The CMPP is supplied with a robust powdercoat finish.

## Plaque Ceiling Diffuser



### Series CMPP – Performance Data

LISTED DUCT SIZE	Total Pressure (Pa)	6	11	18	25	35	45	57
150 x 150 (300 overall)	m <sup>3</sup> /s	0.025	0.037	0.046	0.055	0.065	0.072	0.081
	Throw	0.1-1.9	0.4-2.5	0.9-3.3	1.3-4.1	1.6-4.5	1.9-5.0	2.3-5.1
	NC	<15	<15	<15	<15	15	18	21
225 x 225 (375 overall)	m <sup>3</sup> /s	0.041	0.059	0.072	0.086	0.104	0.119	0.142
	Throw	0.3-2.3	0.9-3.2	1.5-4.1	2.1-4.9	2.6-5.5	3.3-6.1	4.4-7.0
	NC	<15	<15	<15	<15	15	18	21
300 x 300 (450 overall)	m <sup>3</sup> /s	0.056	0.080	0.102	0.121	0.142	0.160	0.185
	Throw	1.0-3.4	1.7-4.9	2.3-5.5	2.9-5.6	3.4-6.4	3.8-7.1	4.4-8.0
	NC	<15	<15	<15	<15	16	19	22
375 x 375 (525 overall)	m <sup>3</sup> /s	0.074	0.102	0.134	0.165	0.193	0.204	0.234
	Throw	1.7-3.9	2.0-4.9	2.7-5.8	3.2-6.0	3.7-6.6	3.9-6.8	4.4-7.5
	NC	<15	<15	<15	18	22	23	27
450 x 450 (595 overall)	m <sup>3</sup> /s	0.092	0.122	0.155	0.186	0.218	0.244	0.274
	Throw	1.5-4.5	2.3-5.0	3.1-6.1	3.6-6.5	4.0-6.8	4.3-7.0	4.7-7.3
	NC	<15	<15	<15	16	21	24	26

## Performance Note

Throw values are given for terminal velocities of 0.75 and 0.25 m/s respectively.

### Guide Product Weights

Description	Approximate Weight in Kg.
CMPP 450 x 450	2.95