

# DATASHEET

## 356PBTMBT-VW

Pushbutton 6 Amp Electronic Switch with BLE and ControlLink

### Application

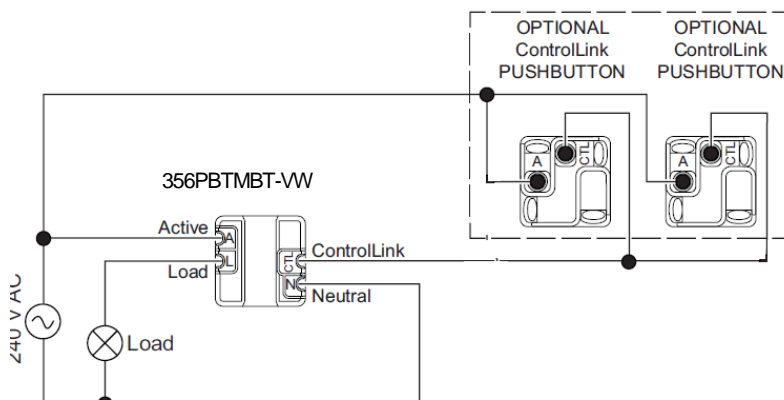
The pushbutton electronic switch is a 3 wire, 6AX maximum rated device with BLE (Bluetooth Low Energy) connectivity, suitable for switching a huge range of electrical products. The tactile pushbutton has been designed to match other pushbutton devices in the range with respect to look and feel. A user menu or the Wisier Room smartphone App allows for customisation of features such as LED indicator behaviour. The Wisier Room App also provides in-room user control through a smartphone or tablet.

The pushbutton electronic switch includes ControlLink technology that allows for multi-way switching over conventional mains wiring. ControlLink also allows for multiple units to be connected to control larger individual loads.

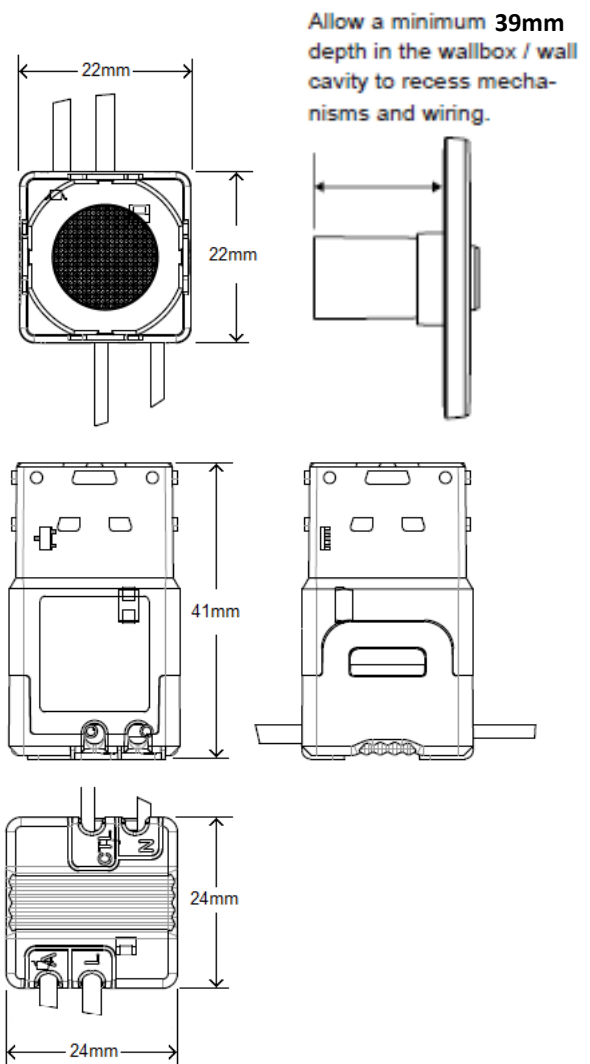
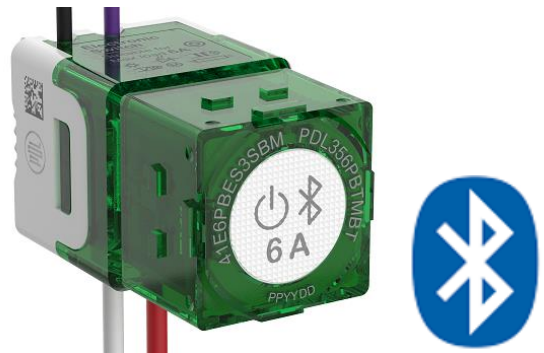
The momentary ControlLink switch (Cat No 356PBSS-VW) can be connected so that low cost multi-way switching can be achieved without the need for expensive secondary switch mechanisms. ControlLink will also operate with conventional electro-mechanical switches.

### Features

- Configure and control from push button or using Wisier Room smartphone App
- ControlLink for multi-way switching
- Configurable LED Indicator
- 3 wire design
- 6AX rated 240V latching relay contact
- Comes with Vivid White (VW) push button assembly
- Integrally switched, soft tactile feel
- Additional colour options through optional parts packs



Wiring Diagram example: 3 way switching with 356PBSS-VW mechs.



Life Is On



by Schneider Electric

## Specifications

Operating Voltage:	220-240V ac 50Hz
Maximum Load:	6 AX, 6A inductive (0.8pf), motor – M30 (5A@0.5pf)
Minimum Load:	0 W (no minimum load)
Switching Technique:	Latching Relay (switched active output)
Suitable applications:	All lighting types, exhaust fans, heat lamps, contactors
Operating Temperature:	0°-45° C
Storage Temperature:	0°-60° C
Ambient Operating & Storage Humidity:	5% ~ 90% Relative Humidity, Non-Condensing
Connection:	Flying Leads (Active, Neutral, Load, ControlLink), Length: 105mm
LED Indicator:	Warm white, configurable
Multi-way Control:	Switching through ControlLink using conventional wiring
Plate Compatibility:	Compatible only with the Iconic Product Range
App details:	PDL Wiser Room (available from App store and Google play)
Compatible smart devices:	All devices with Android v4.4 or IOS9 or above.
Wireless Technology:	Bluetooth Low Energy (BLE) , 2.4GHz., Point to point only.
Wireless range:	Approximately 10m indoors

## Derating Details

Mechanisms per Plate	Maximum load per mechanism
1	6 A
2	4.5 A
3	4 A
4	3 A
5	2 A
6	1.5 A

## Ordering details

Catalogue No.	Description
356PBSM-VW	6 A Pushbutton Electronic Switch with BLE and ControlLink
Accessories	
300PBC-VW	PB Mech Colour Cap- Vivid White (pk 5)
300PBC-WY	PB Mech Colour Cap- Warm Grey (pk 5)
300PBC-CY	PB Mech Colour Cap- Cool Grey (pk 5)
300PBC-AN	PB Mech Colour Cap- Anthracite (pk 5)



300PBC-VW

PDL New Zealand Ltd

38 Business Parade South, East Tamaki, Auckland 2013

Phone: + 64 (9) 829 0490

Fax: + 64 (9) 829 0491

Customer Care: 0800 652 999 Email: sales@nz.schneider-electric.com

www.pdl.co.nz



As standards, specifications and designs change from time to time, always as for confirmation of the information given in this publication.