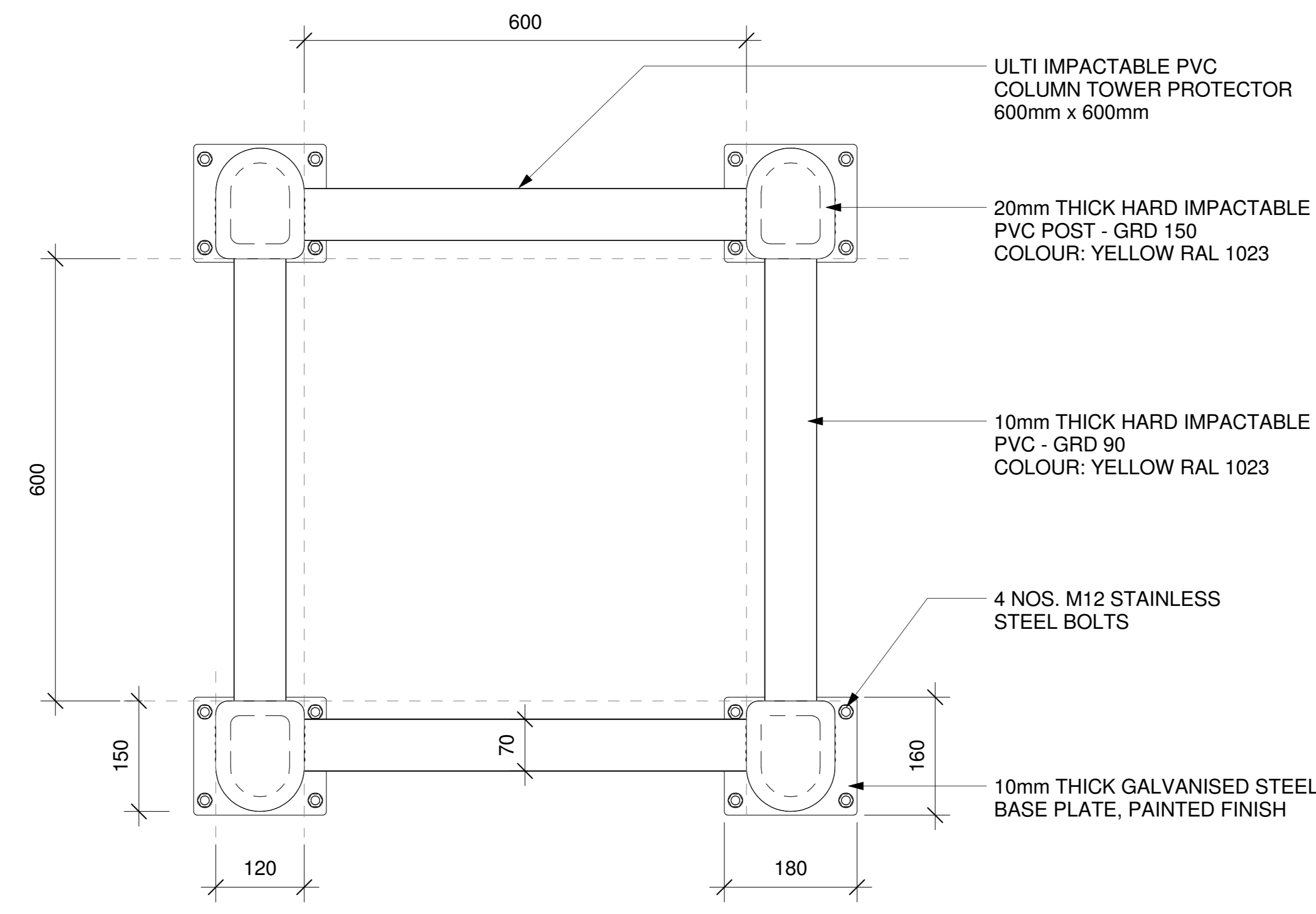
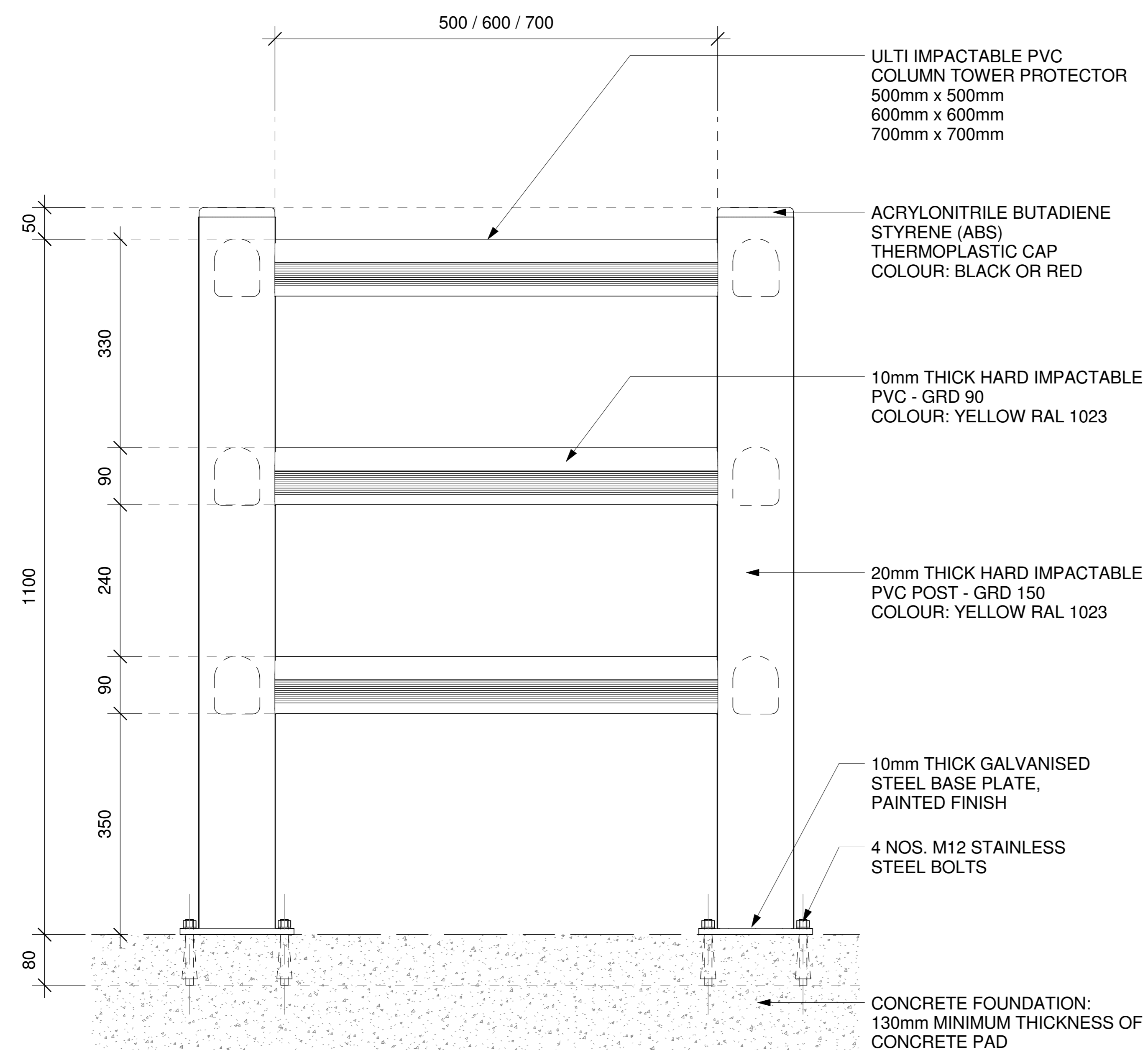


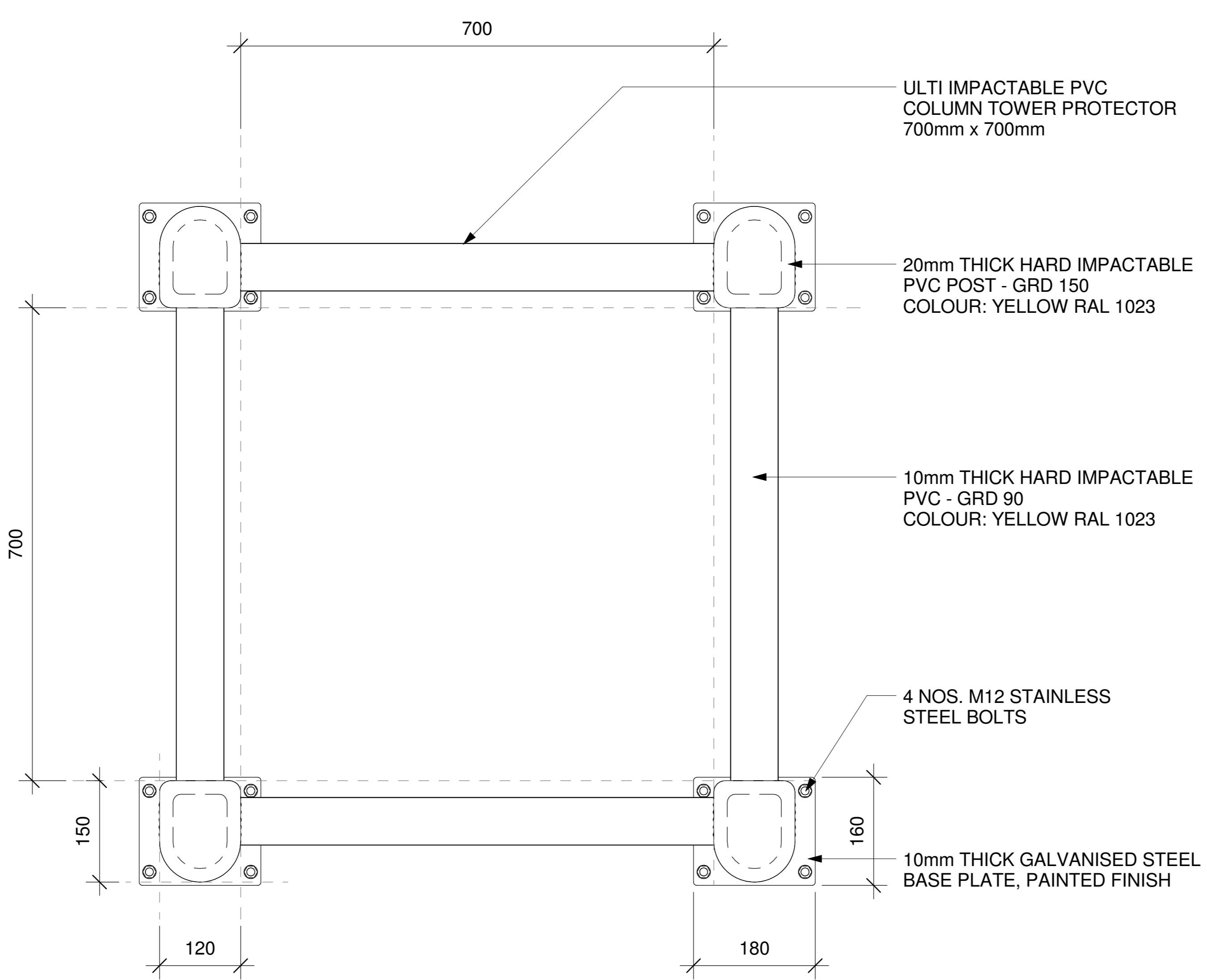
1 PLAN VIEW - 500mm x 500mm
SCALE: 1:5 MTS.



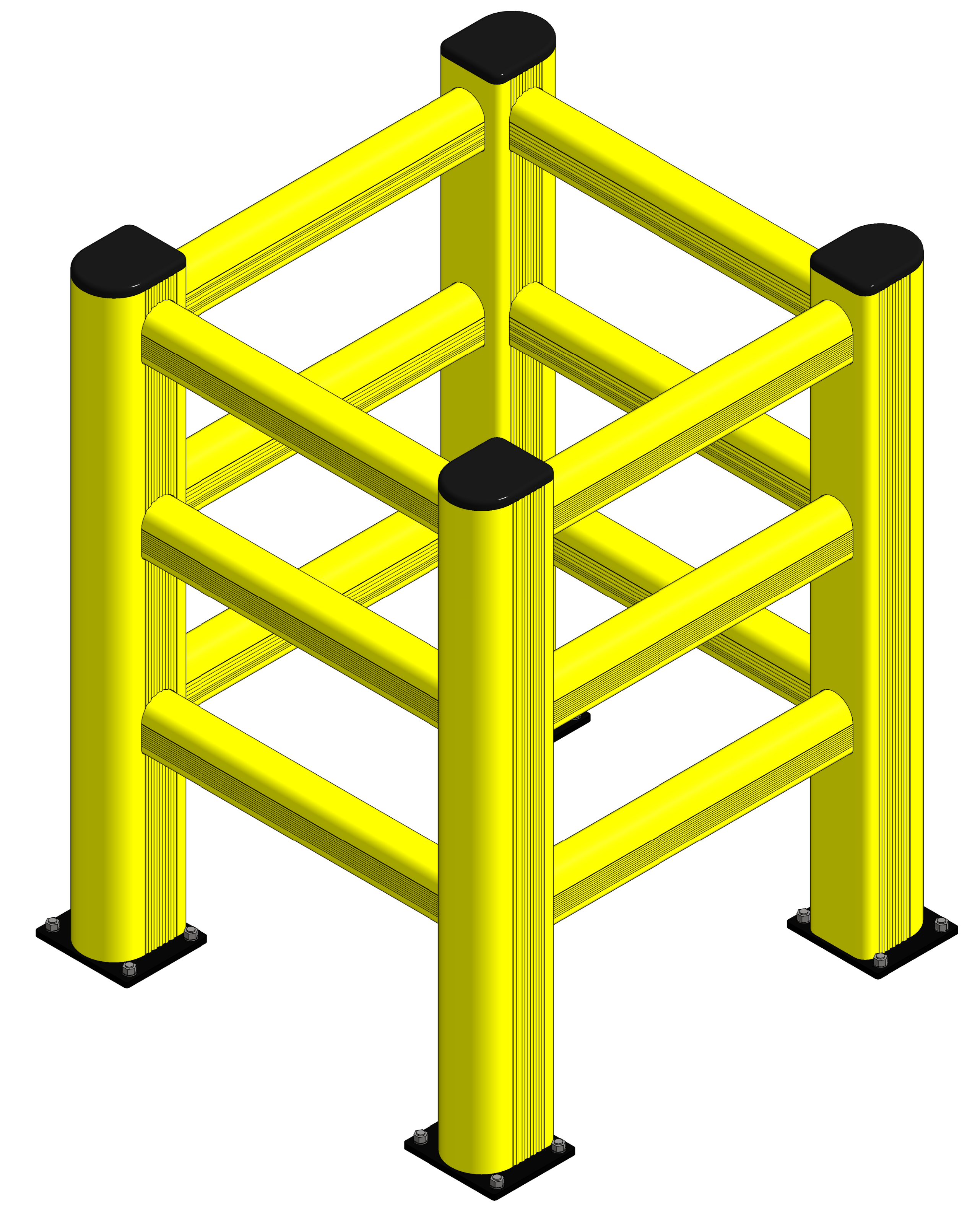
3 PLAN VIEW - 600mm x 600mm
SCALE: 1:5 MTS.



2 ELEVATION VIEW
SCALE: 1:5 MTS.



4 PLAN VIEW - 700mm x 700mm
SCALE: 1:5 MTS.



5 3D VIEW
SCALE: N.T.S.

NOTE:
CONTACT ULTI GROUP FOR ANY CUSTOMISATIONS
AND TO DISCUSS PROJECT SPECIFIC INFORMATION

©UltiGroup LTD, 2017

UltiGroup
SPECIALIST ACCESSWAY SOLUTIONS

www.ultigroup.co.nz
sales@ultigroup.co.nz
Phone: 0800 807 753
68 McLaughlins Road, Wiri, Auckland, 2104

Ulti Impactable PVC Column Tower Protector

No.	Description	Date
1	CHECKED BY TS	03.03.2017

PLAN VIEW, ELEVATION AND 3D VIEW	
Project Number	-
Date	03.01.2017
Drawn By	J.ENRIQUEZ
COLUMNPROTECTOR-TWR-001	
Scale	As indicated