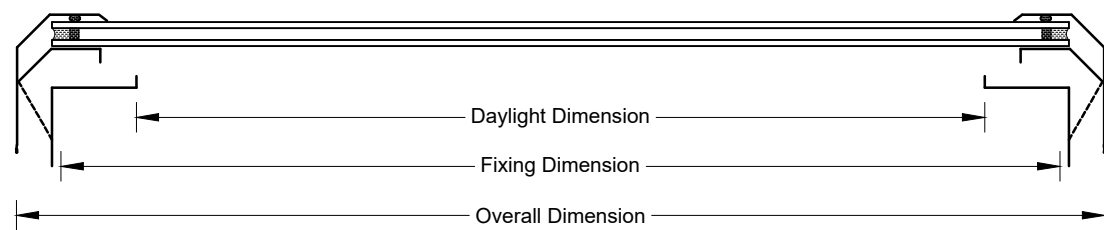
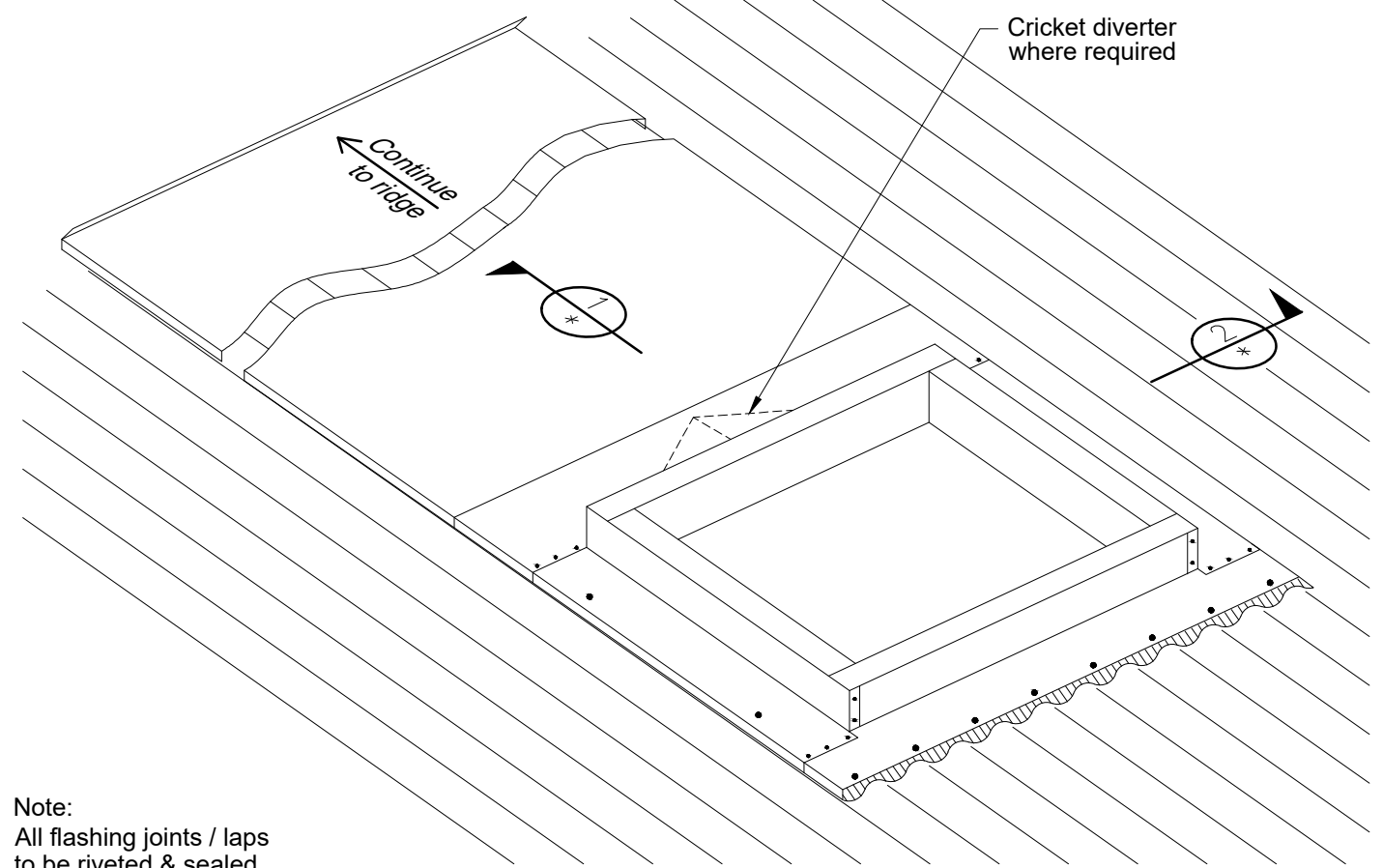


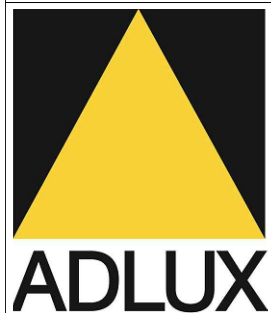
\* Dimensions to be in accordance with NZBC Clause E2



Roof Window Vent				
Model No.	Daylight Dimension (mm)	Fixing Dimension (mm)	Overall Dimension (mm)	Ventilation Area (m <sup>2</sup> )
RWv77	515 x 515	615 x 615	690 x 690	0.057
RWv86	560 x 410	660 x 510	735 x 585	0.054
RWv99	720 x 720	820 x 820	895 x 895	0.073
RWv106	840 x 330	940 x 430	1015 x 505	0.062
RWv108	840 x 640	940 x 740	1015 x 815	0.075
RWv128	1040 x 640	1140 x 740	1215 x 815	0.083
RWv137	1125 x 515	1225 x 615	1300 x 690	0.081
RWv148	1260 x 640	1360 x 740	1435 x 815	0.092
RWv1212	1040 x 1000	1140 x 1100	1215 x 1175	0.097
RWv1313	1125 x 1125	1225 x 1225	1300 x 1300	0.106
RWv1412	1260 x 1000	1360 x 1100	1435 x 1175	0.106



Not to scale, do not scale from drawing. All details are generic in nature and should be read in conjunction with the roofing manufacturers' standard penetration details.



ADLUX Industries Ltd. ©  
 36 Olive Road, Penrose  
 P.O. Box 13866, Auckland  
 New Zealand.  
 Ph: (09) 636 6866  
 Fax: (09) 636 6846  
 Email: sales@adlux.co.nz

**ROOF WINDOW vent (Double Glazed)  
 CORRUGATED ROOFING PROFILE (Back Tray)  
 PITCH 5° TO 60°**

DATE: 13/02/19

DWG No: RWv-CR-BT