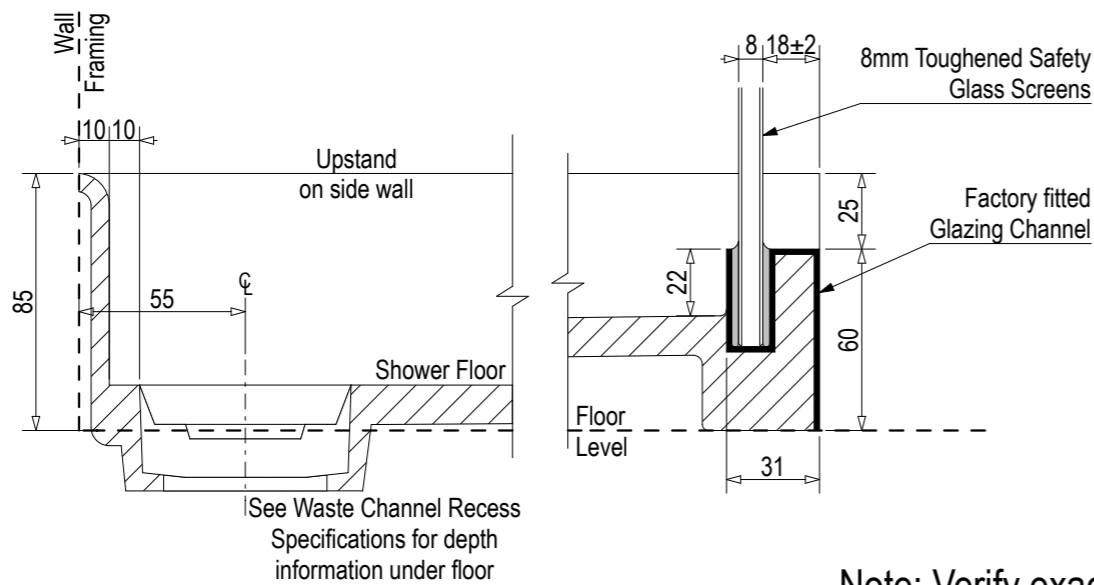
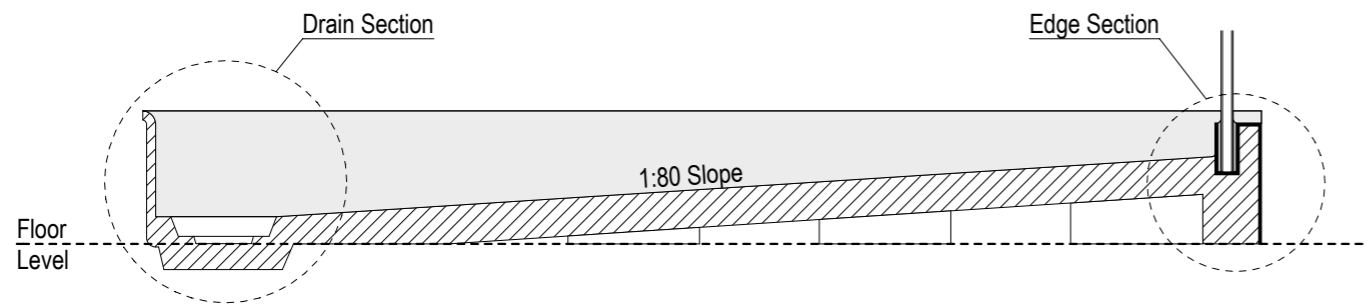
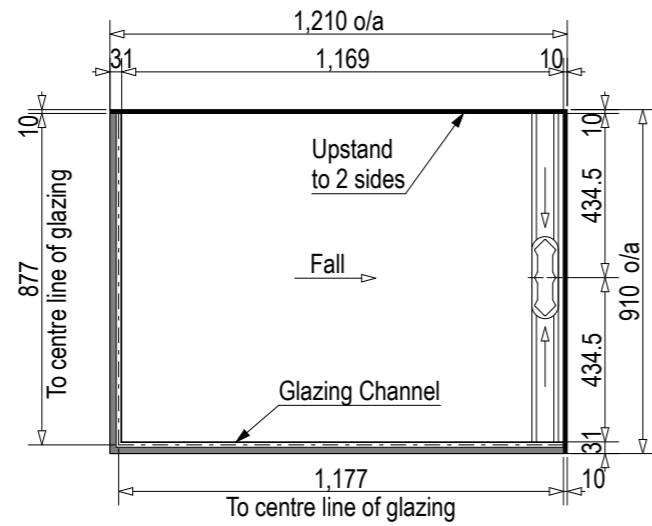




# Step Entry

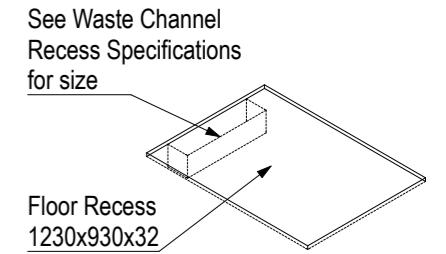
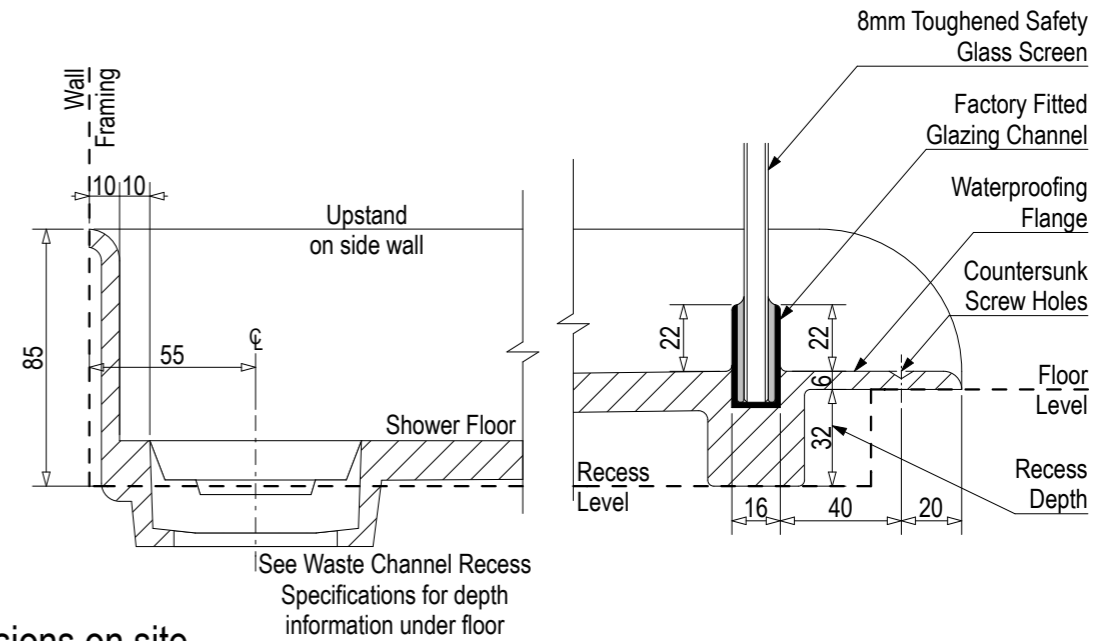
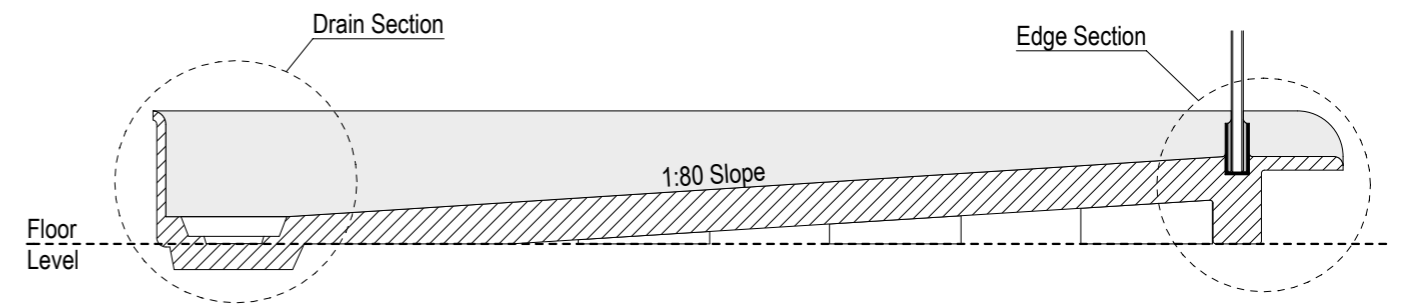
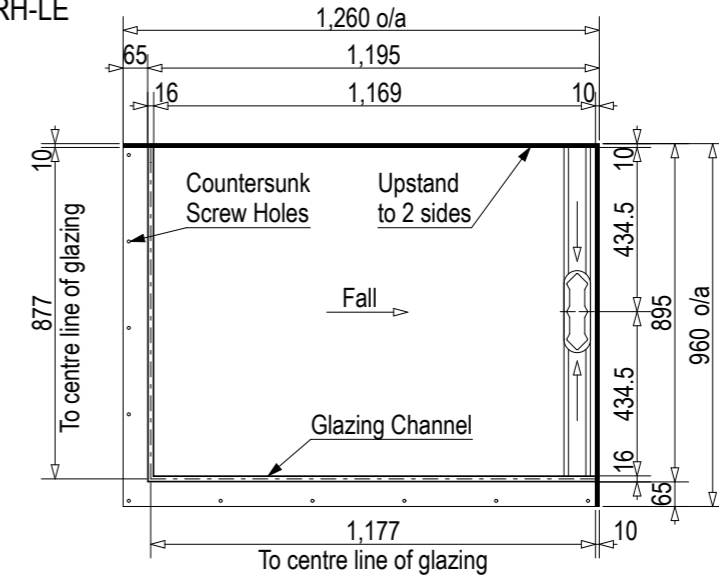
SKU: LQ-MIL-RH-ST



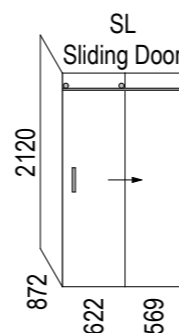
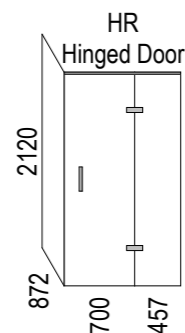
Note: Verify exact shower base dimensions on site

# Level Entry

SKU: LQ-MIL-RH-LE



## Screen Options:



For more product information go to:

[www.atlantis.co.nz/shop/linea-quattro/milan-1200x900/](http://www.atlantis.co.nz/shop/linea-quattro/milan-1200x900/)

For installation instructions go to:

[www.atlantis.co.nz/trade/installation/](http://www.atlantis.co.nz/trade/installation/)

## AQUAPLANE WASTE FITTING

- EasyClean Waste with in-built trap
- 50L/min ultra flow rate
- Removable fin for easy cleaning
- 40/50mm outlet with swivel fitting
- Components bolt together for guaranteed watertightness

