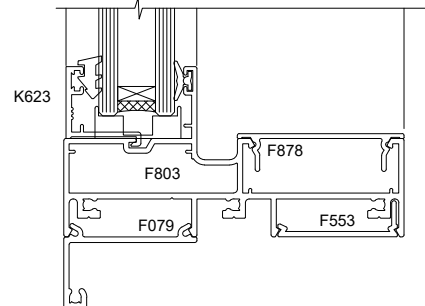
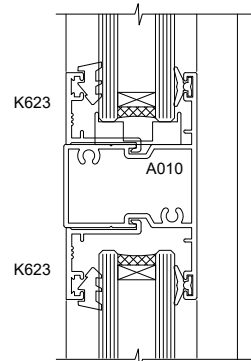
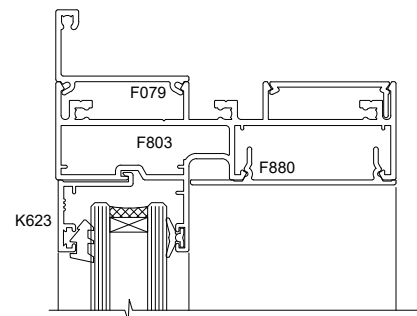


SECTION A-A



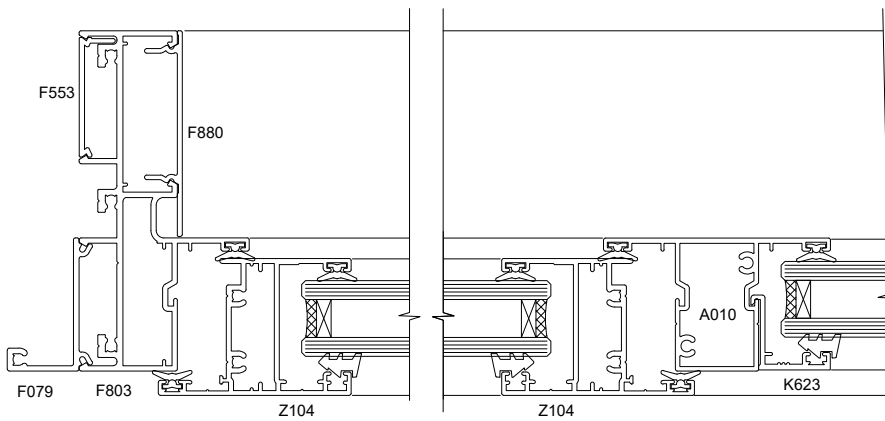
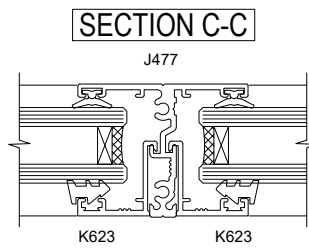
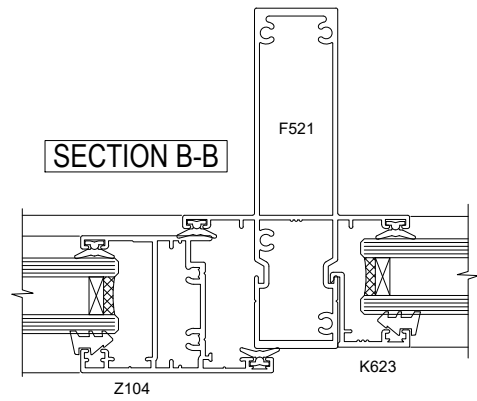
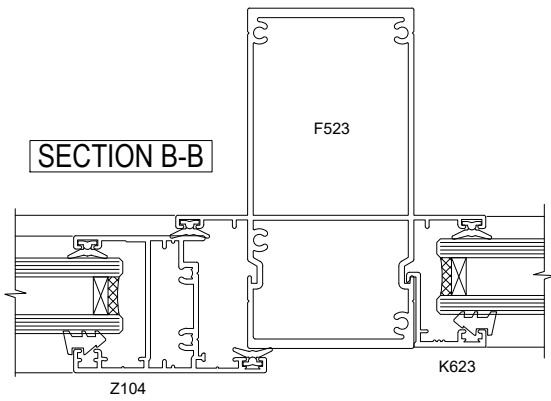
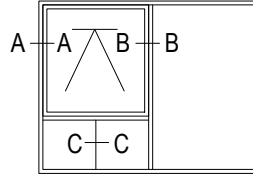
SECTION B-B

## AWNING / CASEMENT WINDOW

FAIRVIEW SYSTEMS LIMITED SPECIFIERS GUIDE 2014 © TECHNICAL SPECIFICATIONS & PROFILE DETAILS SUBJECT TO CHANGE WITHOUT NOTICE

ARCHITECTURAL CUBIC 35 COMPLETE SUITE

DATE 12.06.2018	SCALE 1:?
REF. AC35.0001	



**SECTION A-A**

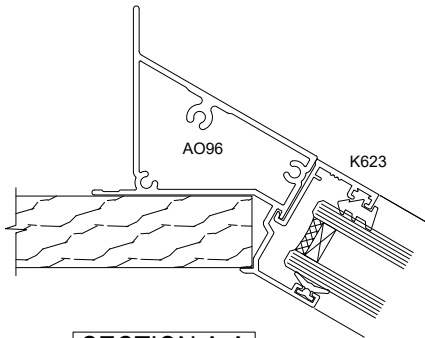
**SECTION B-B**

## AWNING / CASEMENT WINDOW

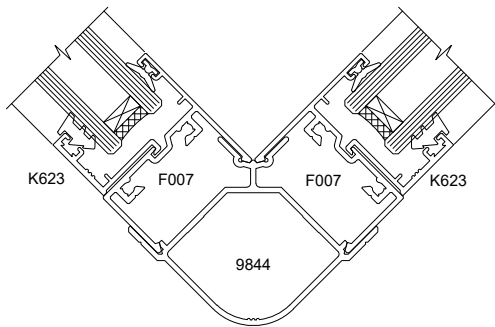
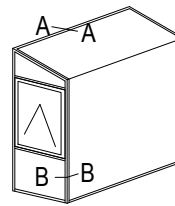
FAIRVIEW SYSTEMS LIMITED SPECIFIERS GUIDE 2014 © TECHNICAL SPECIFICATIONS & PROFILE DETAILS SUBJECT TO CHANGE WITHOUT NOTICE

**ARCHITECTURAL CUBIC 35 COMPLETE SUITE**

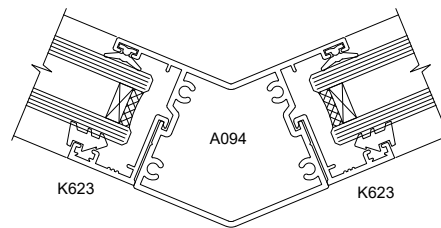
DATE 12.06.2018	SCALE 1:2
REF. AC35.0002	



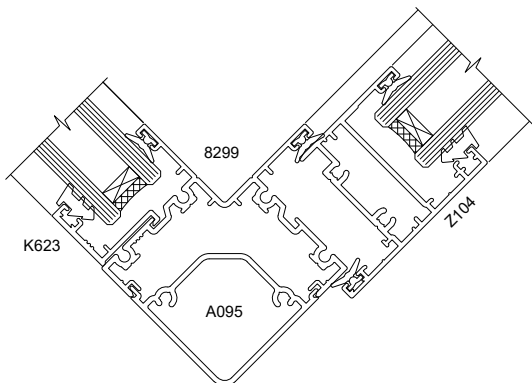
SECTION A-A



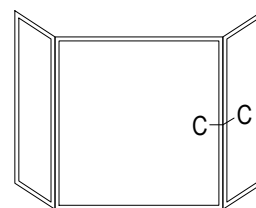
SECTION B-B



SECTION C-C



SECTION B-B

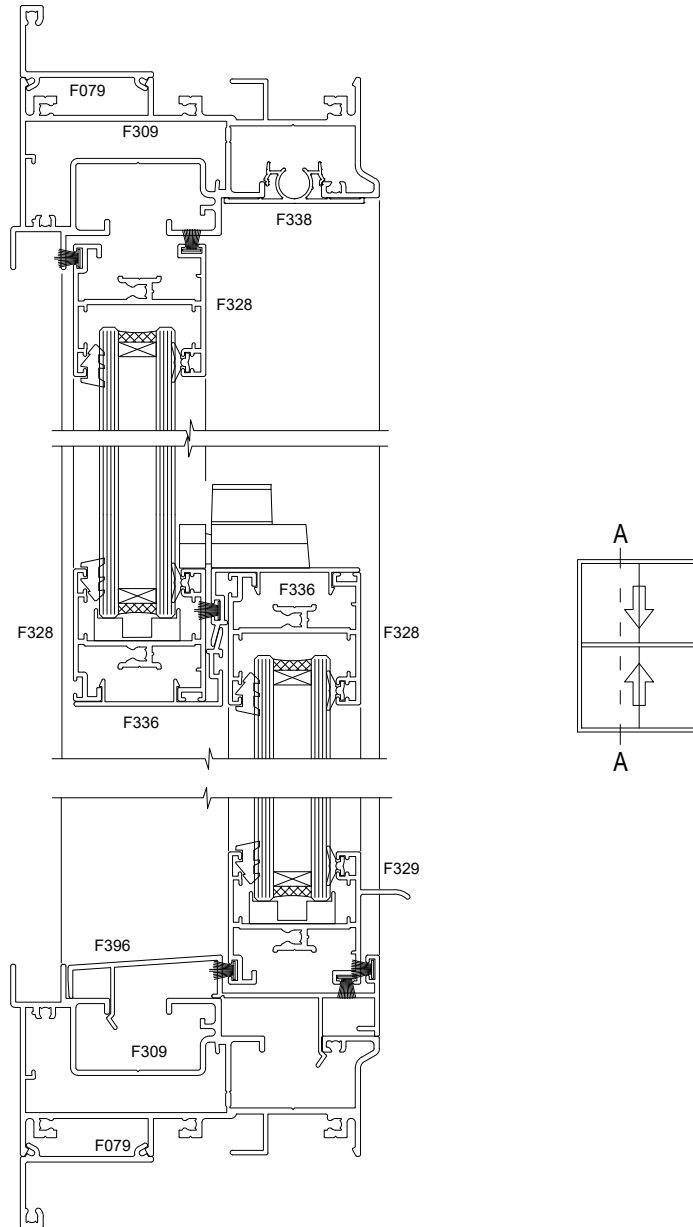


## BOX & BAY WINDOW

FAIRVIEW SYSTEMS LIMITED SPECIFIERS GUIDE 2014 © TECHNICAL SPECIFICATIONS & PROFILE DETAILS SUBJECT TO CHANGE WITHOUT NOTICE

ARCHITECTURAL CUBIC 35 COMPLETE SUITE

DATE 12.06.2018	SCALE 1:2
REF. AC35.0003	



SECTION A-A

## DOUBLE HUNG WINDOW

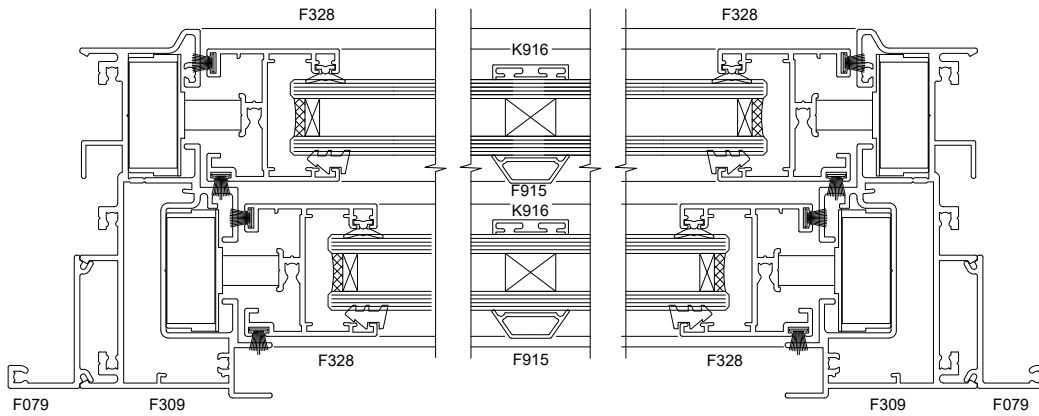
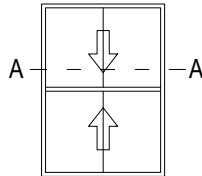
FAIRVIEW SYSTEMS LIMITED SPECIFIERS GUIDE 2014 © TECHNICAL SPECIFICATIONS & PROFILE DETAILS SUBJECT TO CHANGE WITHOUT NOTICE

ARCHITECTURAL CUBIC 35 COMPLETE SUITE

DATE  
12.06.2018

SCALE  
1:2

REF. AC35.0011



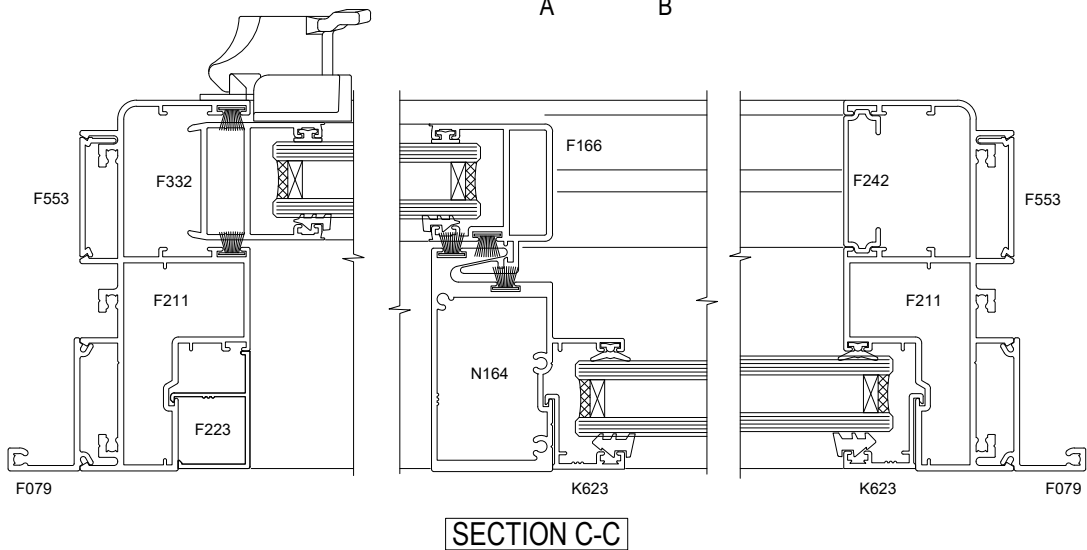
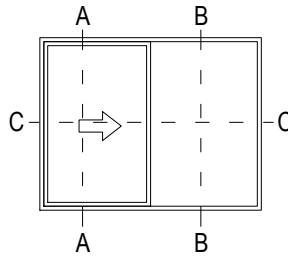
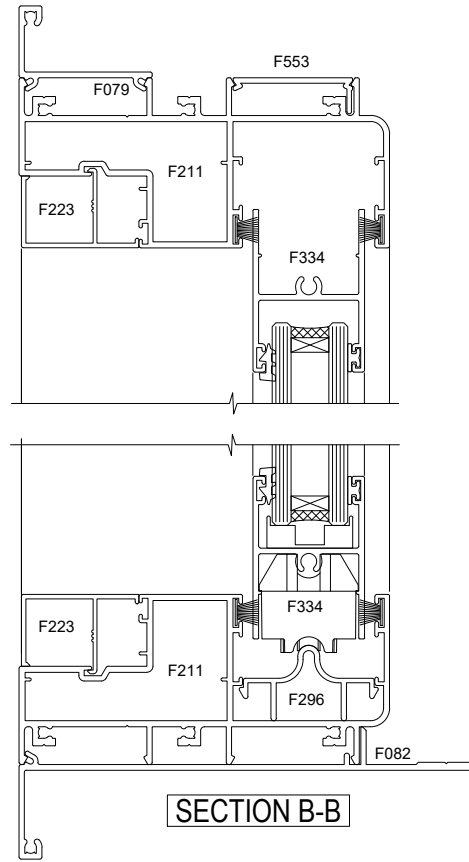
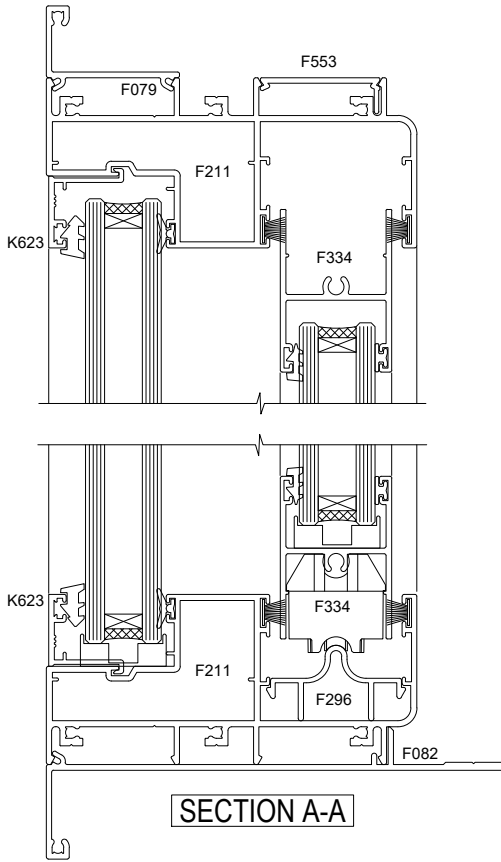
**SECTION A-A**

## DOUBLE HUNG WINDOW

FAIRVIEW SYSTEMS LIMITED SPECIFIERS GUIDE 2014 © TECHNICAL SPECIFICATIONS & PROFILE DETAILS SUBJECT TO CHANGE WITHOUT NOTICE

**ARCHITECTURAL CUBIC 35 COMPLETE SUITE**

DATE 12.06.2018	SCALE 1:2
REF. AC35.0012	

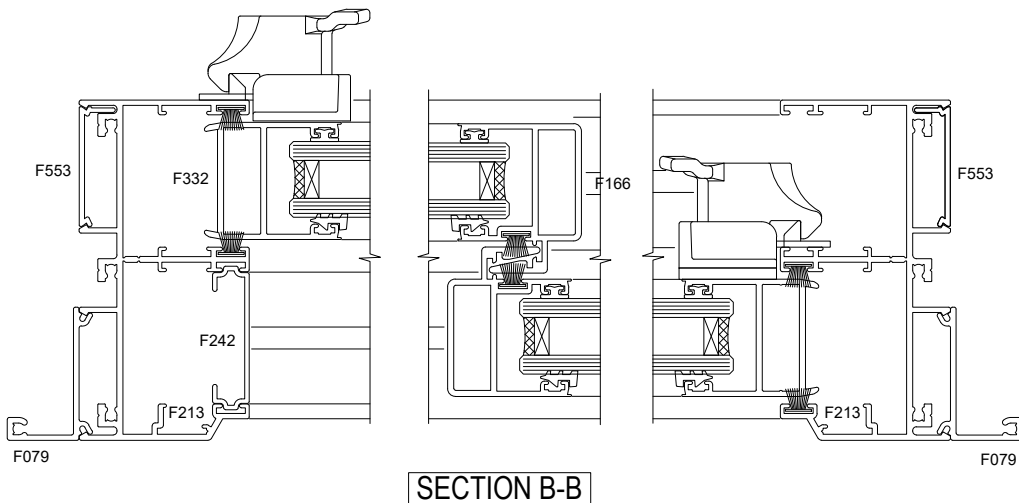
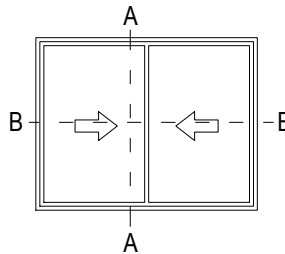
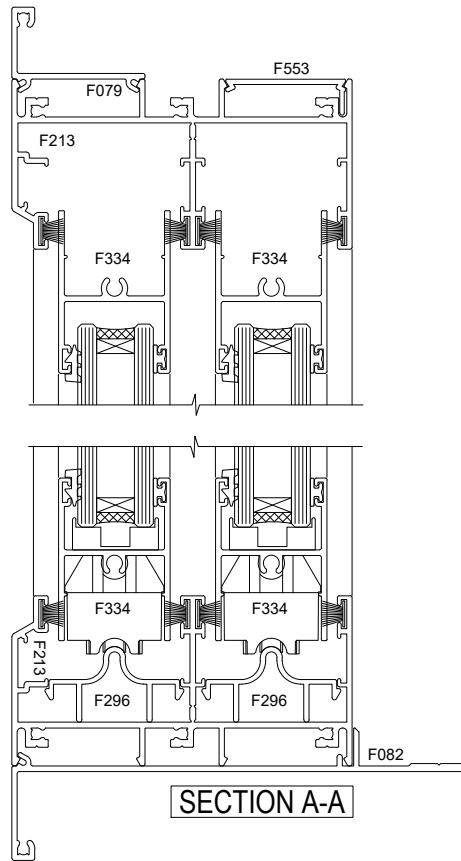


## SLIDING WINDOW

FAIRVIEW SYSTEMS LIMITED SPECIFIERS GUIDE 2014 © TECHNICAL SPECIFICATIONS & PROFILE DETAILS SUBJECT TO CHANGE WITHOUT NOTICE

### ARCHITECTURAL CUBIC 35 COMPLETE SUITE

DATE 12.06.2018	SCALE 1:2
REF. AC35.0021	

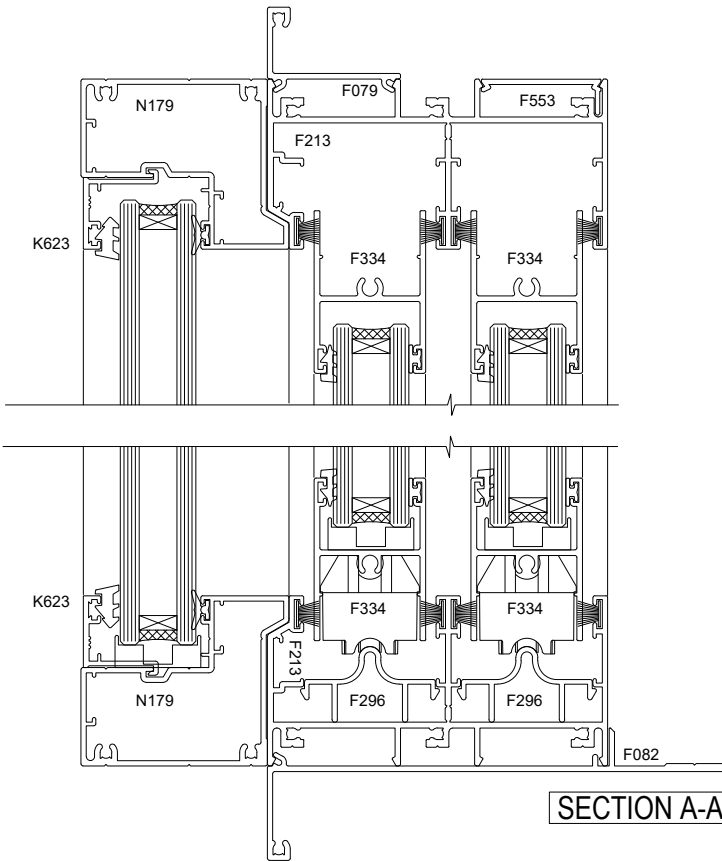


## SLIDING WINDOW

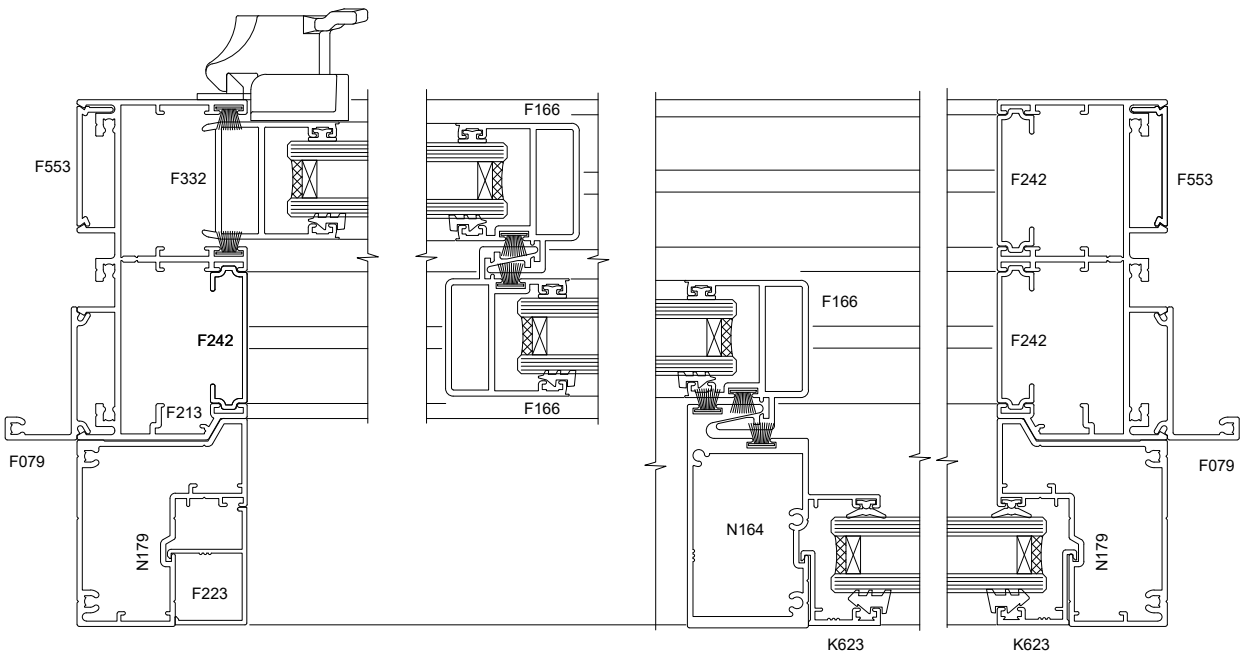
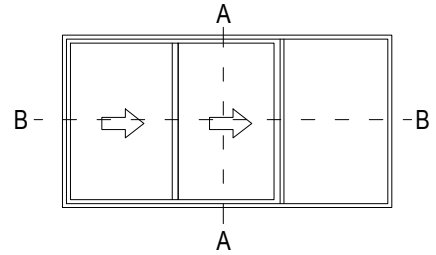
FAIRVIEW SYSTEMS LIMITED SPECIFIERS GUIDE 2014 © TECHNICAL SPECIFICATIONS & PROFILE DETAILS SUBJECT TO CHANGE WITHOUT NOTICE

### ARCHITECTURAL CUBIC 35 COMPLETE SUITE

DATE 12.06.2018	SCALE 1:2
REF. AC35.0022	



SECTION A-A



SECTION B-B

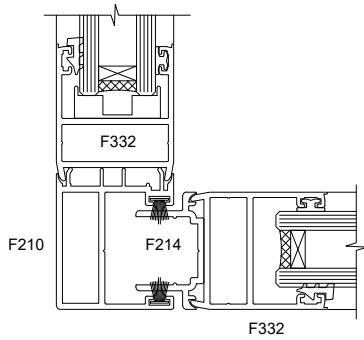
## SLIDING WINDOW

FAIRVIEW SYSTEMS LIMITED SPECIFIERS GUIDE 2014 © TECHNICAL SPECIFICATIONS & PROFILE DETAILS SUBJECT TO CHANGE WITHOUT NOTICE

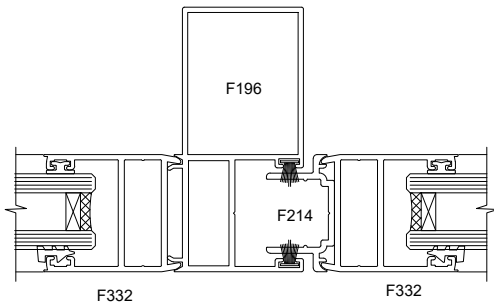
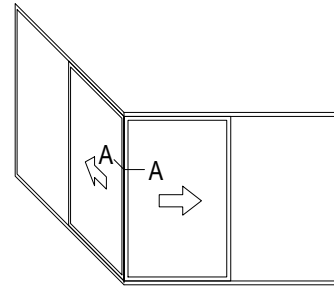
ARCHITECTURAL CUBIC 35 COMPLETE SUITE

DATE 12.06.2018	SCALE 1:2
REF. AC35.0023	

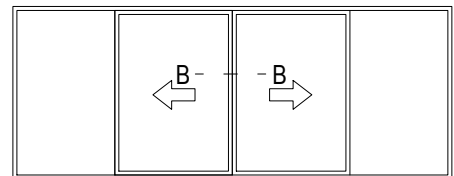




SECTION A-A



SECTION B-B



## SLIDING WINDOW

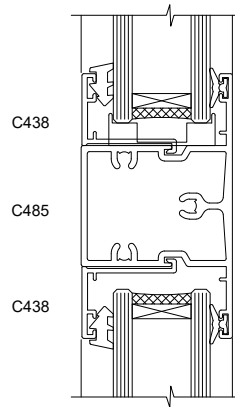
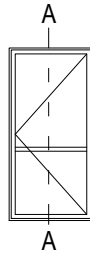
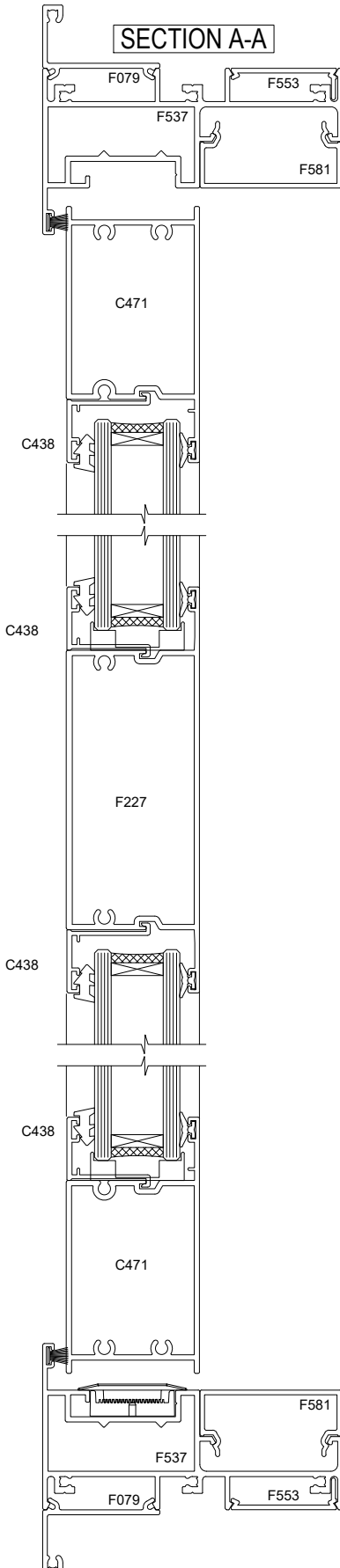
FAIRVIEW SYSTEMS LIMITED SPECIFIERS GUIDE 2014 © TECHNICAL SPECIFICATIONS & PROFILE DETAILS SUBJECT TO CHANGE WITHOUT NOTICE

ARCHITECTURAL CUBIC 35 COMPLETE SUITE

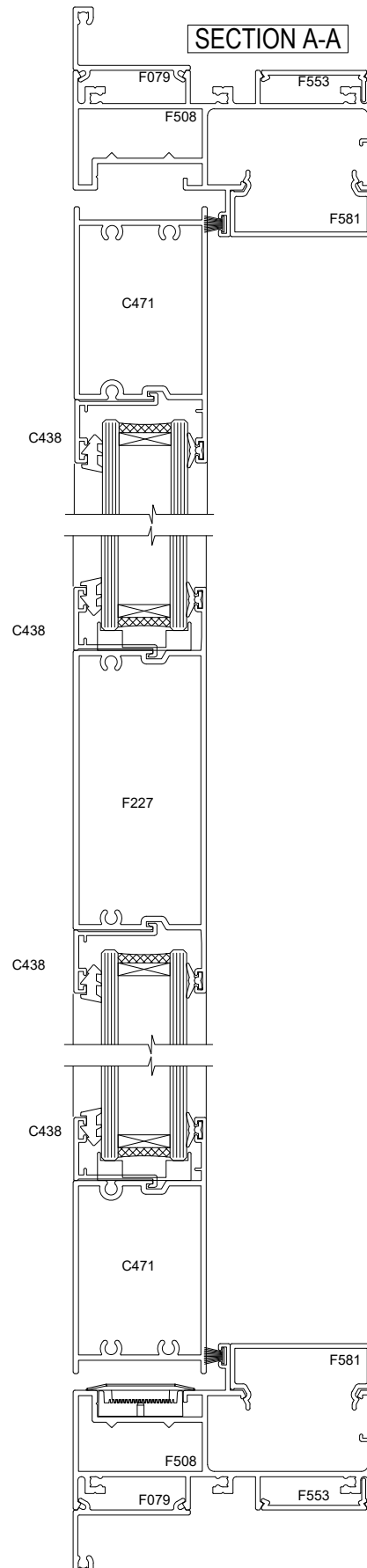
DATE  
12.06.2018

SCALE  
1:2

REF. AC35.0024



ALTERNATE VISION RAIL

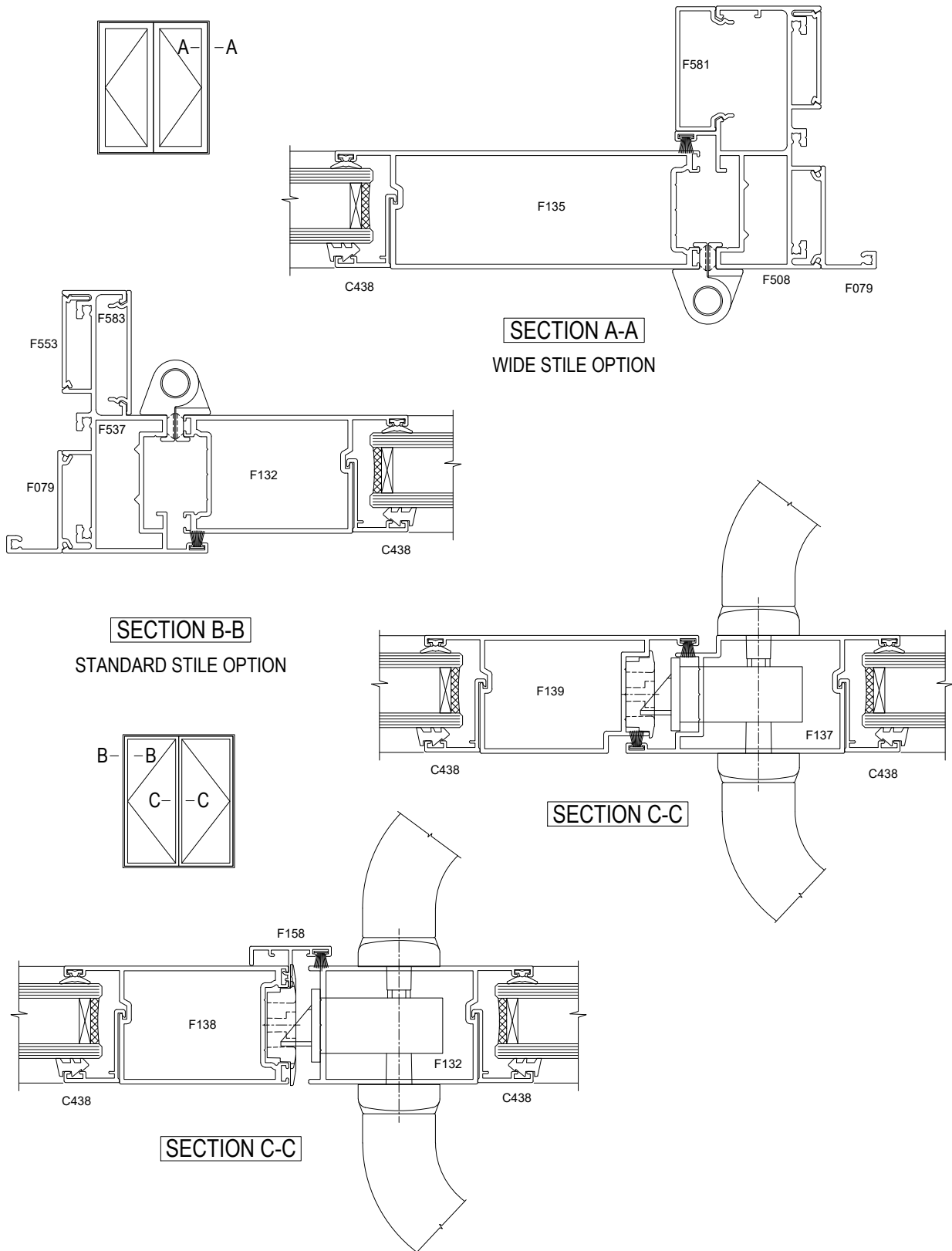


HINGED DOOR

FAIRVIEW SYSTEMS LIMITED SPECIFIERS GUIDE 2014 © TECHNICAL SPECIFICATIONS & PROFILE DETAILS SUBJECT TO CHANGE WITHOUT NOTICE

## ARCHITECTURAL CUBIC 35 COMPLETE SUITE

DATE 12.06.2018	SCALE 1:2
REF. AC35.0031	



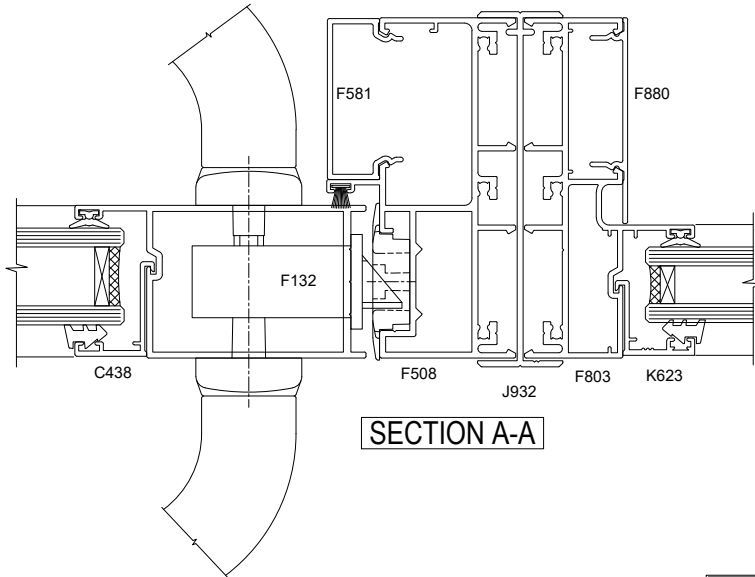
FAIRVIEW SYSTEMS LIMITED SPECIFIERS GUIDE 2014 © TECHNICAL SPECIFICATIONS & PROFILE DETAILS SUBJECT TO CHANGE WITHOUT NOTICE

## ARCHITECTURAL CUBIC 35 COMPLETE SUITE

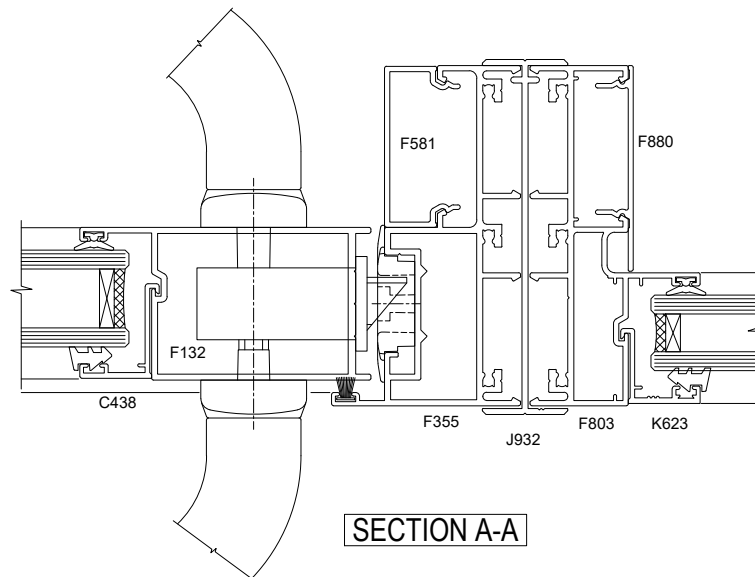
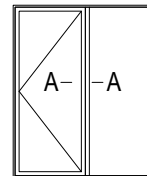
DATE  
12.06.2018

SCALE  
1:2

REF. AC35.0032



SECTION A-A



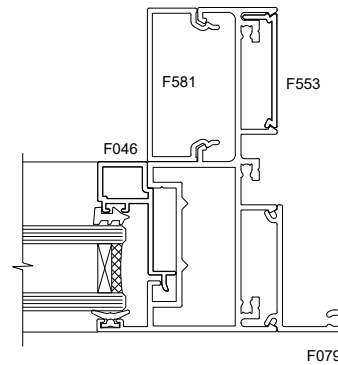
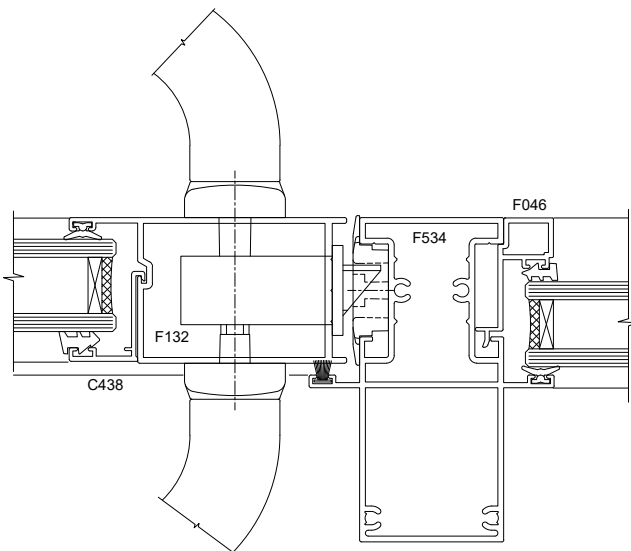
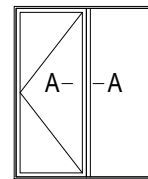
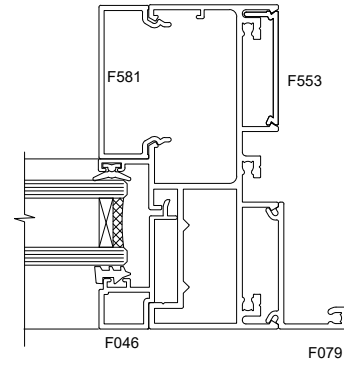
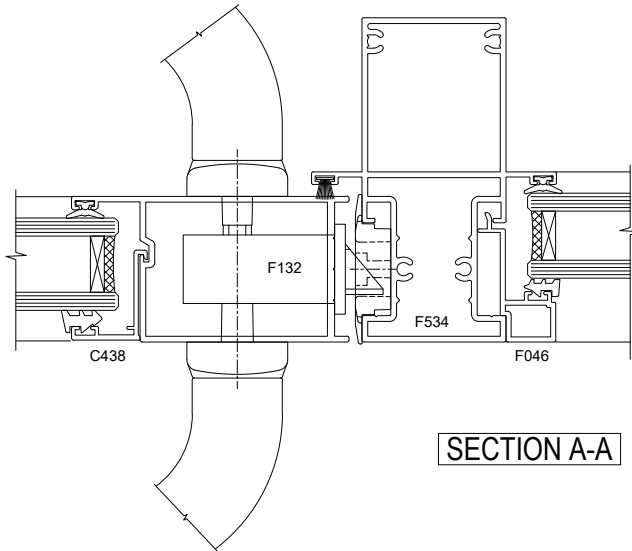
SECTION A-A

## HINGED DOOR

FAIRVIEW SYSTEMS LIMITED SPECIFIERS GUIDE 2014 © TECHNICAL SPECIFICATIONS & PROFILE DETAILS SUBJECT TO CHANGE WITHOUT NOTICE

ARCHITECTURAL CUBIC 35 COMPLETE SUITE

DATE 12.06.2018	SCALE 1:2
REF. AC35.0033	

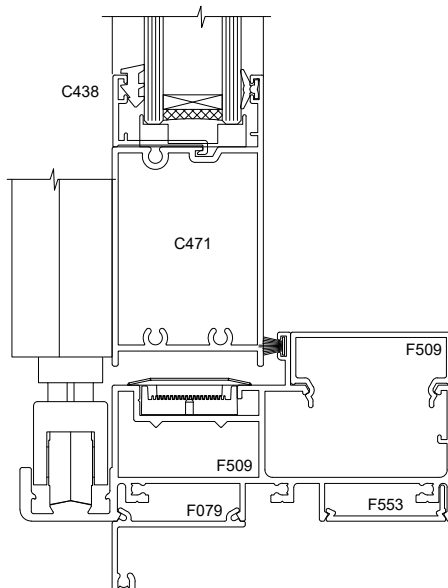
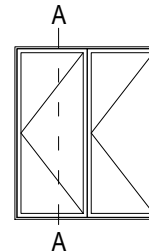
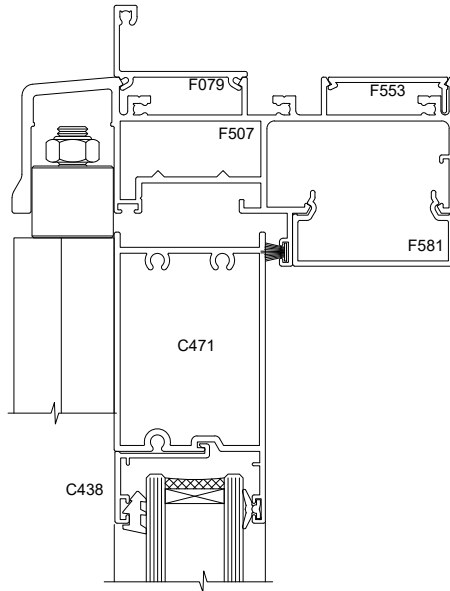


## HINGED DOOR

FAIRVIEW SYSTEMS LIMITED SPECIFIERS GUIDE 2014 © TECHNICAL SPECIFICATIONS & PROFILE DETAILS SUBJECT TO CHANGE WITHOUT NOTICE

ARCHITECTURAL CUBIC 35 COMPLETE SUITE

DATE 12.06.2018	SCALE 1:2
REF. AC35.0034	



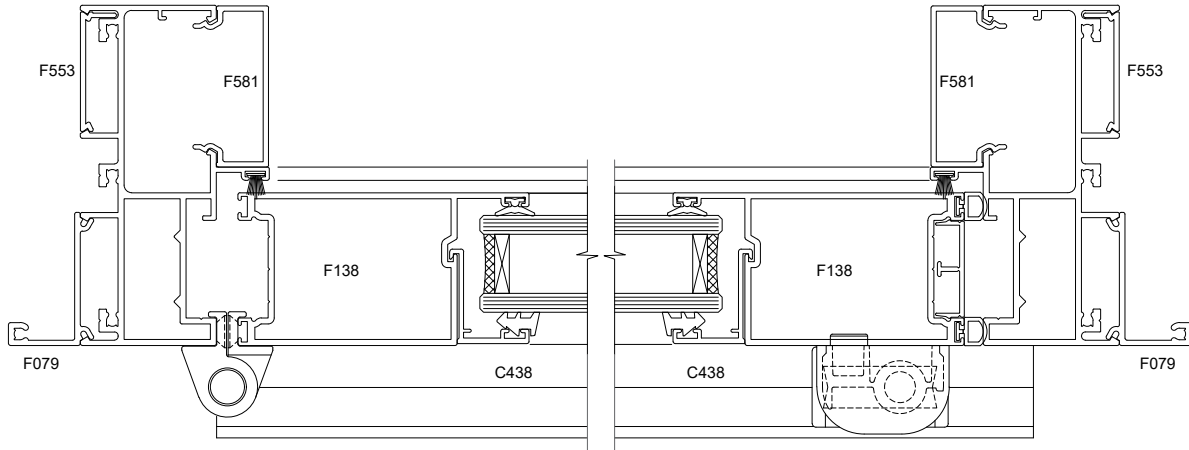
**SECTION A-A**

## BOTTOM ROLLING BI-FOLD DOOR

FAIRVIEW SYSTEMS LIMITED SPECIFIERS GUIDE 2014 © TECHNICAL SPECIFICATIONS & PROFILE DETAILS SUBJECT TO CHANGE WITHOUT NOTICE

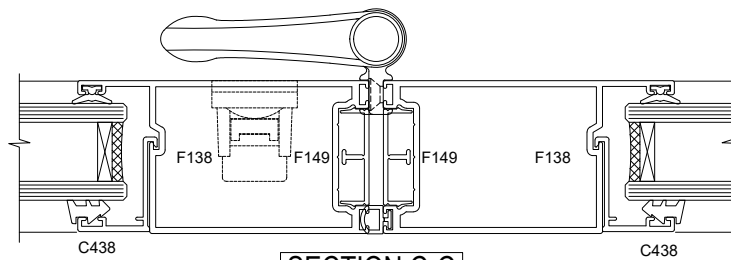
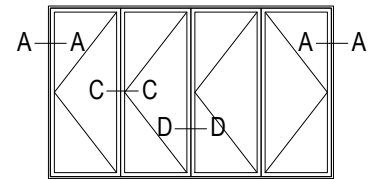
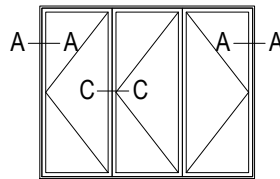
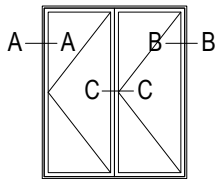
**ARCHITECTURAL CUBIC 35 COMPLETE SUITE**

DATE 12.06.2018	SCALE 1:2
REF. AC35.0041	

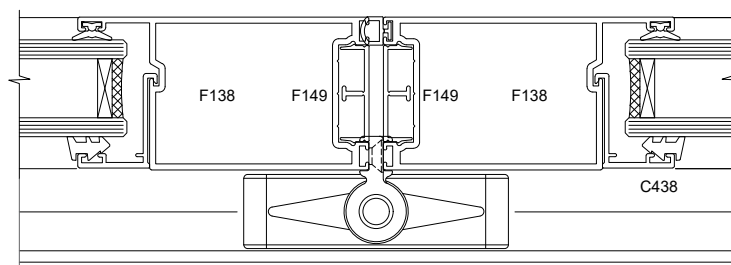


SECTION A-A

SECTION B-B



SECTION C-C



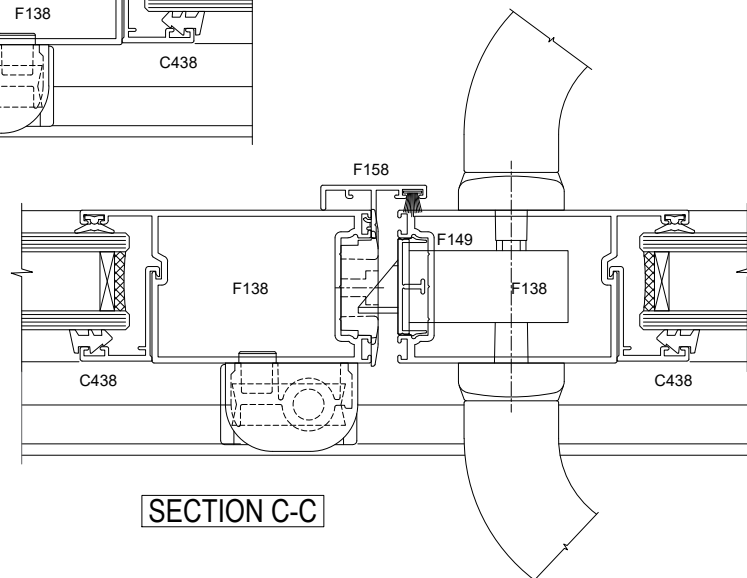
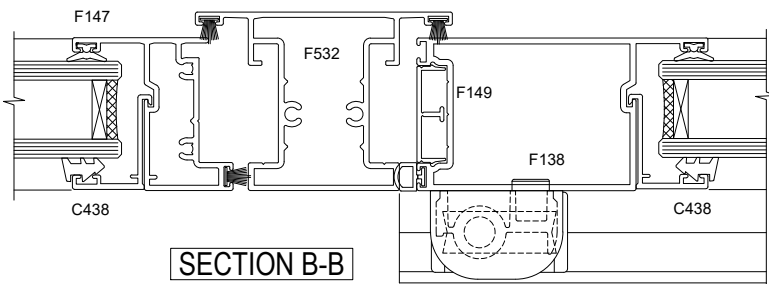
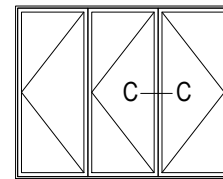
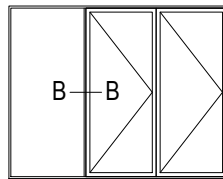
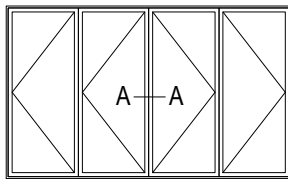
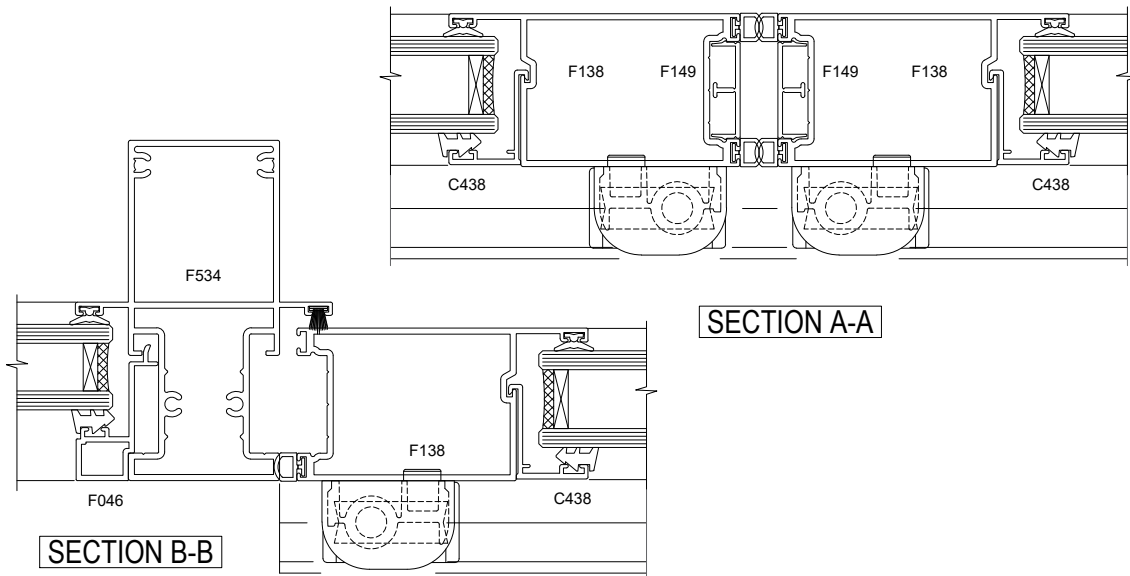
SECTION D-D

## BOTTOM ROLLING BI-FOLD DOOR

FAIRVIEW SYSTEMS LIMITED SPECIFIERS GUIDE 2014 © TECHNICAL SPECIFICATIONS & PROFILE DETAILS SUBJECT TO CHANGE WITHOUT NOTICE

ARCHITECTURAL CUBIC 35 COMPLETE SUITE

DATE 12.06.2018	SCALE 1:2
REF. AC35.0042	



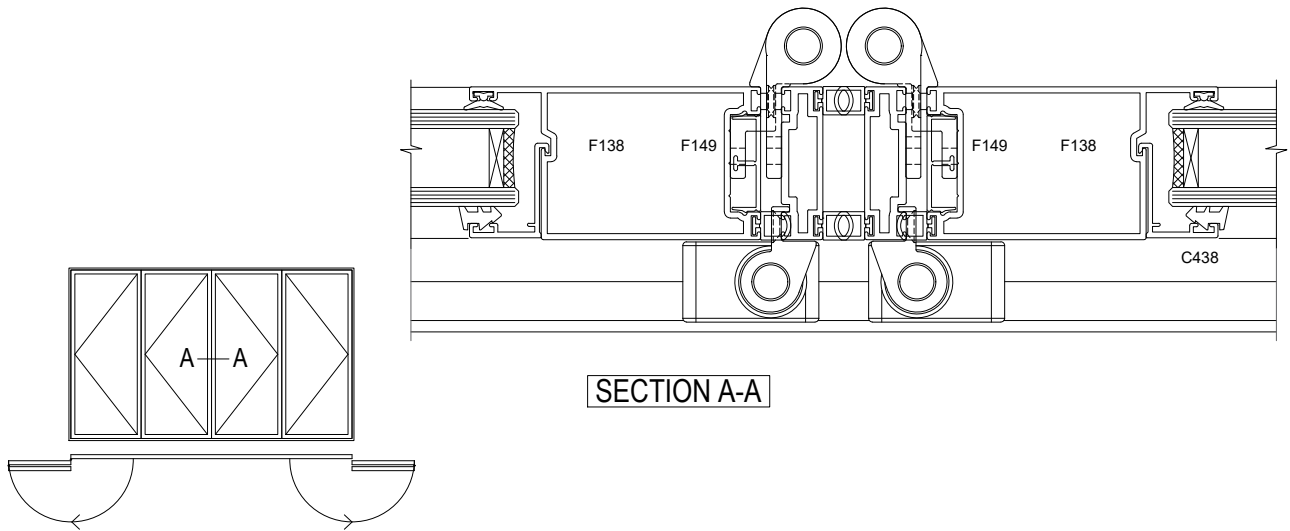
## BOTTOM ROLLING BI-FOLD DOOR

FAIRVIEW SYSTEMS LIMITED SPECIFIERS GUIDE 2014 © TECHNICAL SPECIFICATIONS & PROFILE DETAILS SUBJECT TO CHANGE WITHOUT NOTICE

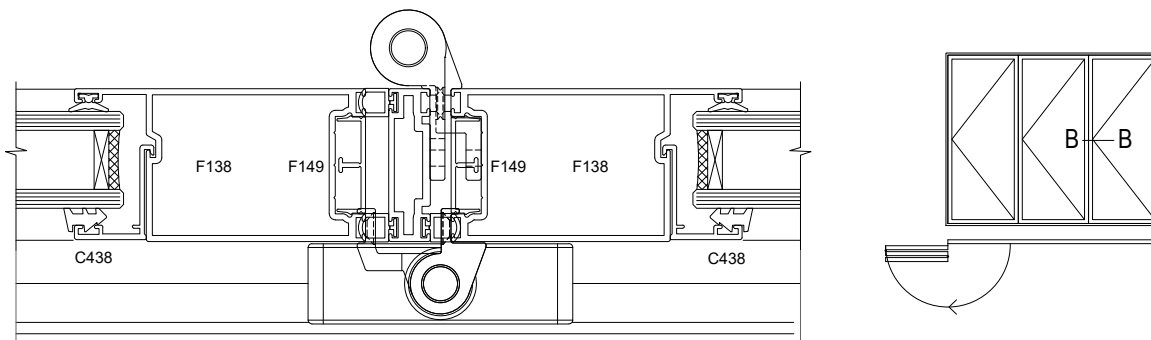
ARCHITECTURAL CUBIC 35 COMPLETE SUITE

DATE 12.06.2018	SCALE 1:2
REF. AC35.0043	

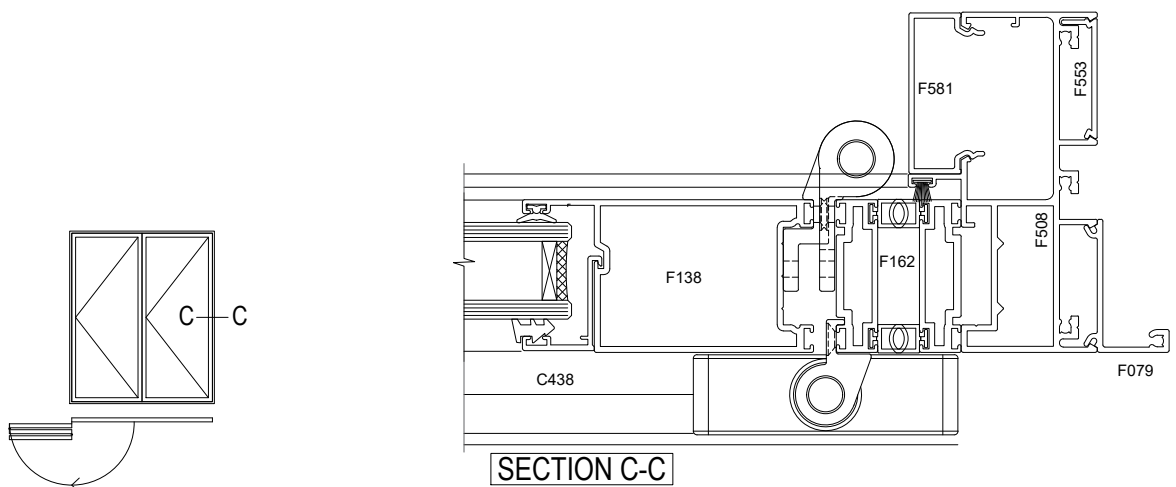




SECTION A-A



SECTION B-B



SECTION C-C

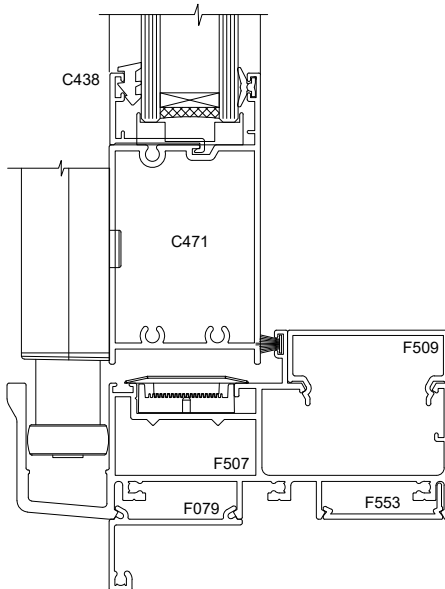
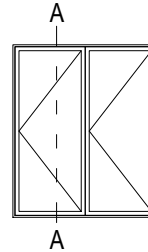
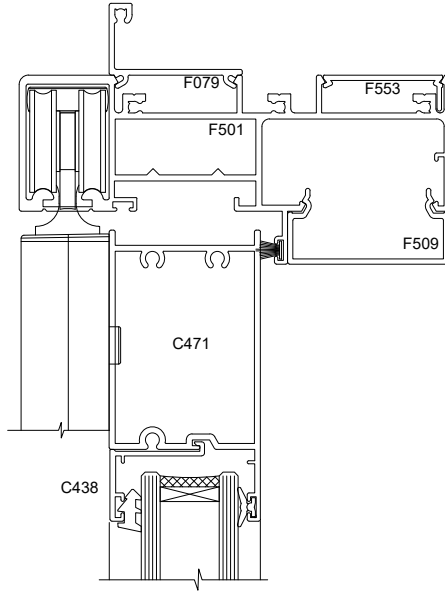
FREEFOLD

## BOTTOM ROLLING BI-FOLD DOOR

FAIRVIEW SYSTEMS LIMITED SPECIFIERS GUIDE 2014 © TECHNICAL SPECIFICATIONS & PROFILE DETAILS SUBJECT TO CHANGE WITHOUT NOTICE

ARCHITECTURAL CUBIC 35 COMPLETE SUITE

DATE 12.06.2018	SCALE 1:2
REF. AC35.0044	



**SECTION A-A**

## TOP HUNG CHANEL GUIDE BI-FOLD DOOR

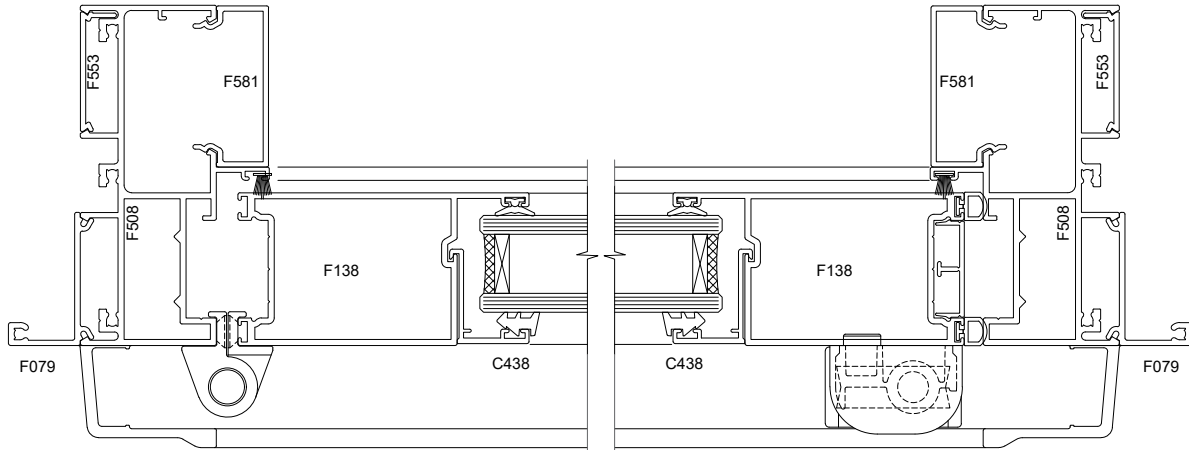
FAIRVIEW SYSTEMS LIMITED SPECIFIERS GUIDE 2014 © TECHNICAL SPECIFICATIONS & PROFILE DETAILS SUBJECT TO CHANGE WITHOUT NOTICE

**ARCHITECTURAL CUBIC 35 COMPLETE SUITE**

DATE  
12.06.2018

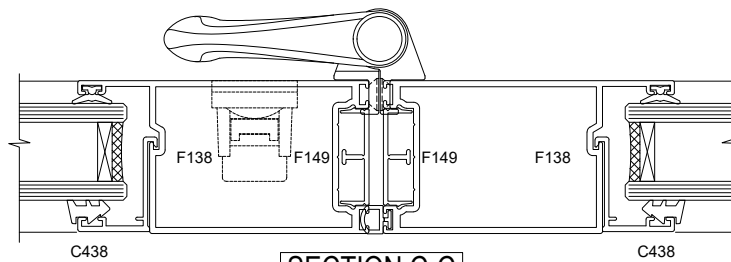
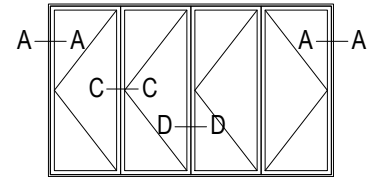
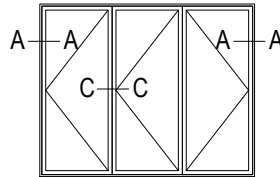
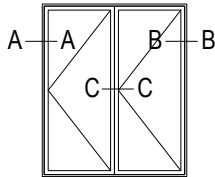
SCALE  
1:2

REF. AC35.0051

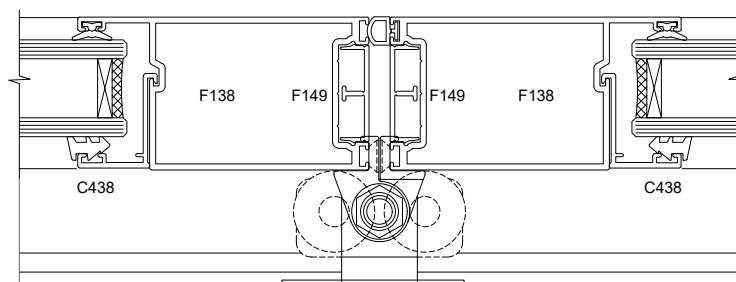


SECTION A-A

SECTION B-B



SECTION C-C



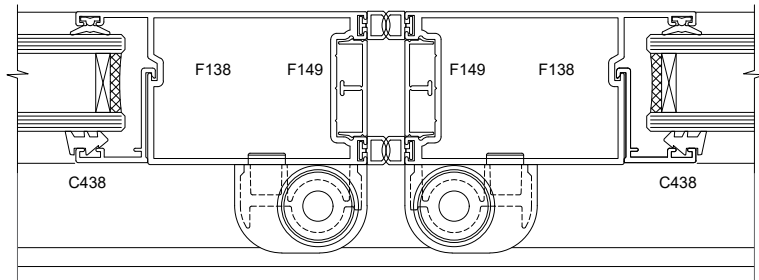
SECTION D-D

## TOP HUNG CHANEL GUIDE BI-FOLD DOOR

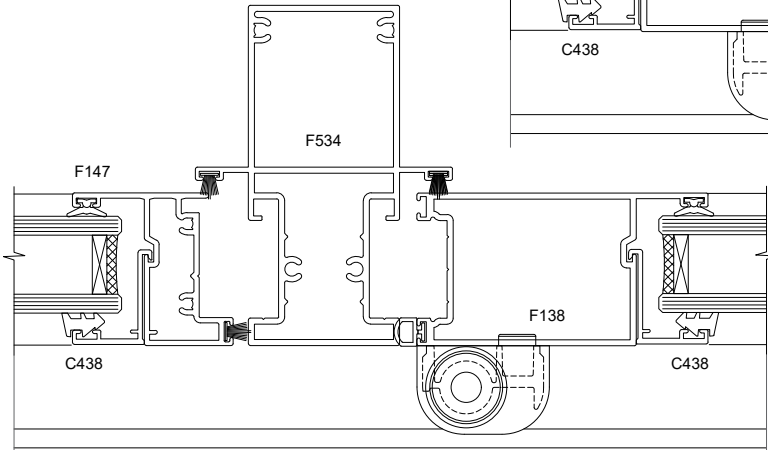
FAIRVIEW SYSTEMS LIMITED SPECIFIERS GUIDE 2014 © TECHNICAL SPECIFICATIONS & PROFILE DETAILS SUBJECT TO CHANGE WITHOUT NOTICE

ARCHITECTURAL CUBIC 35 COMPLETE SUITE

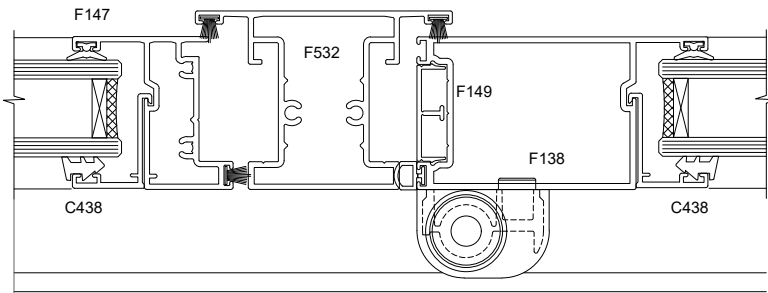
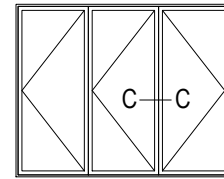
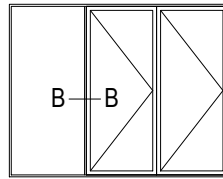
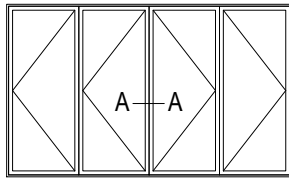
DATE 12.06.2018	SCALE 1:2
REF. AC35.0052	



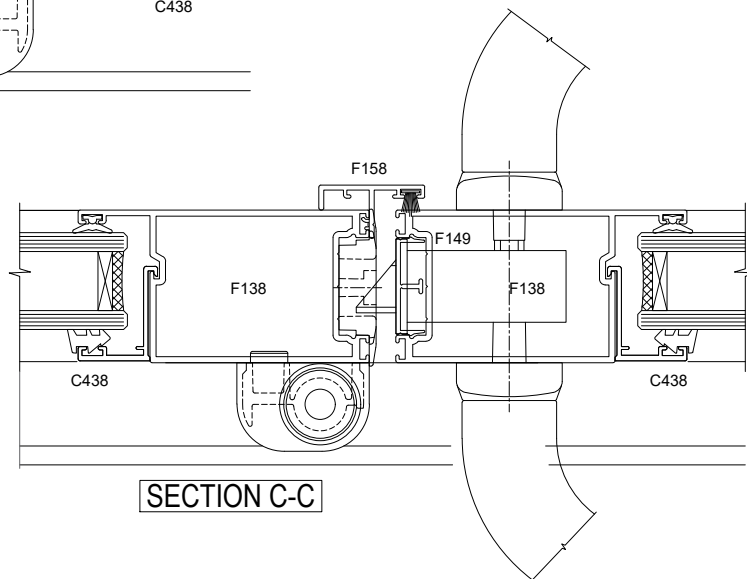
SECTION A-A



SECTION B-B



SECTION B-B



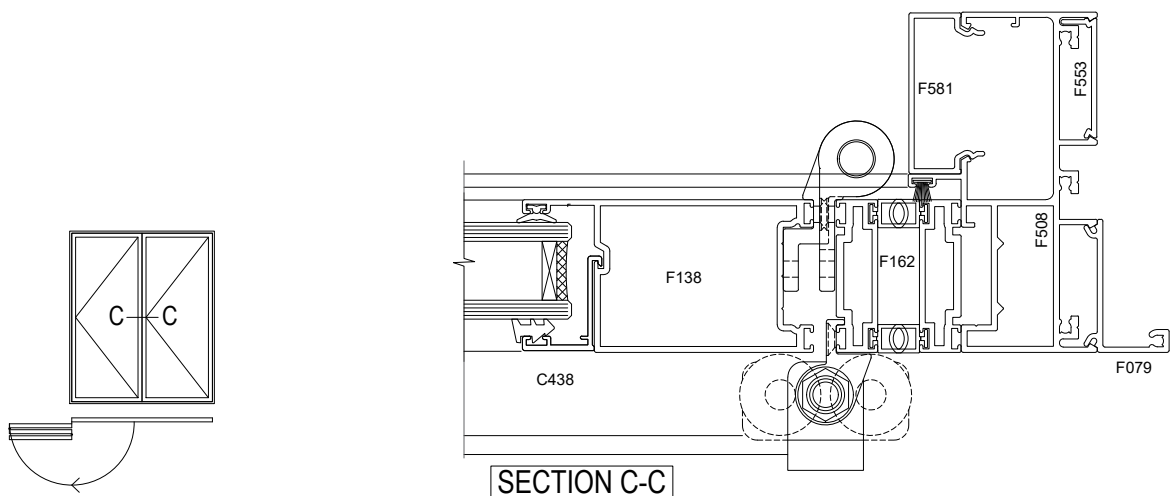
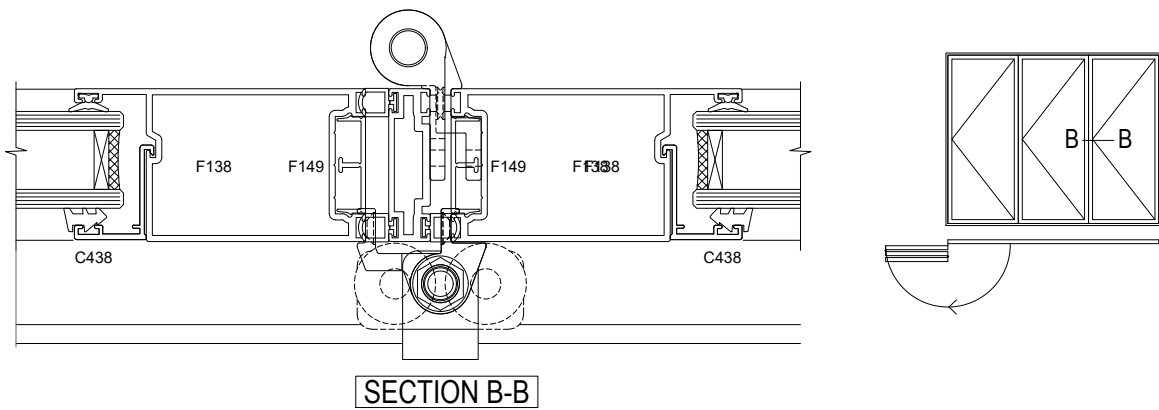
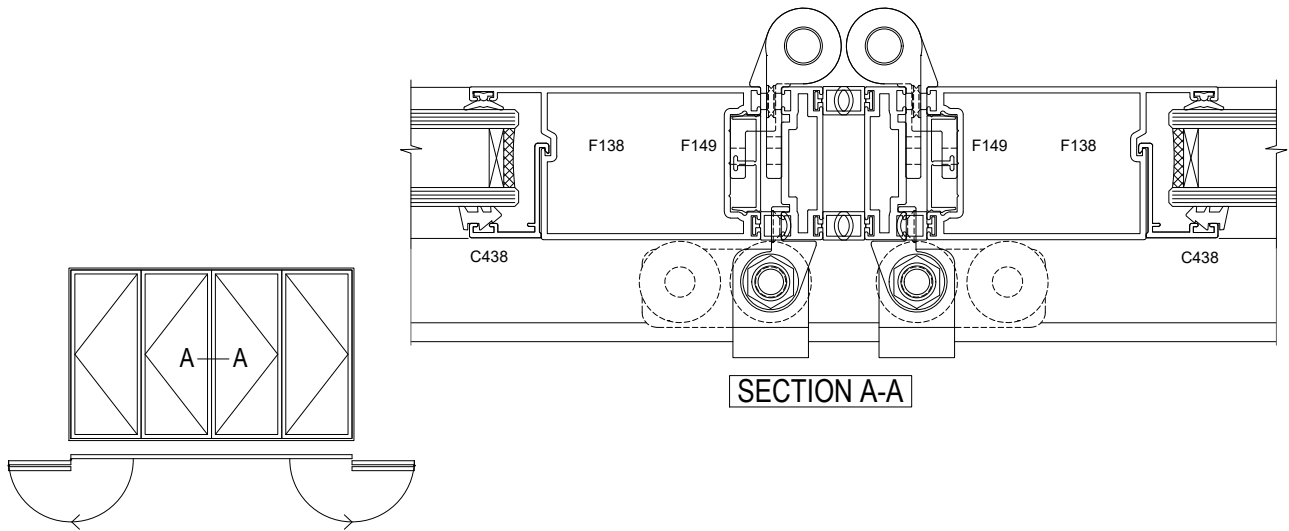
SECTION C-C

## TOP HUNG CHANEL GUIDE BI-FOLD DOOR

FAIRVIEW SYSTEMS LIMITED SPECIFIERS GUIDE 2014 © TECHNICAL SPECIFICATIONS & PROFILE DETAILS SUBJECT TO CHANGE WITHOUT NOTICE

ARCHITECTURAL CUBIC 35 COMPLETE SUITE

DATE 12.06.2018	SCALE 1:2
REF. AC35.0053	



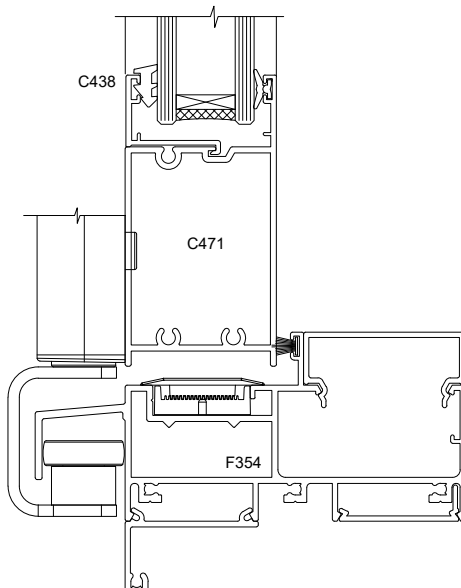
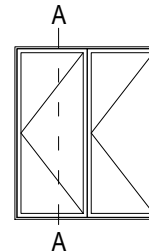
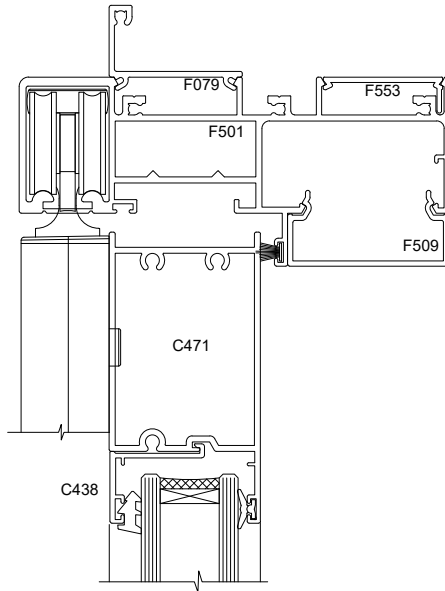
FREEFOLD

## TOP HUNG CHANEL GUIDE BI-FOLD DOOR

FAIRVIEW SYSTEMS LIMITED SPECIFIERS GUIDE 2014 © TECHNICAL SPECIFICATIONS & PROFILE DETAILS SUBJECT TO CHANGE WITHOUT NOTICE

ARCHITECTURAL CUBIC 35 COMPLETE SUITE

DATE 12.06.2018	SCALE 1:2
REF. AC35.0054	



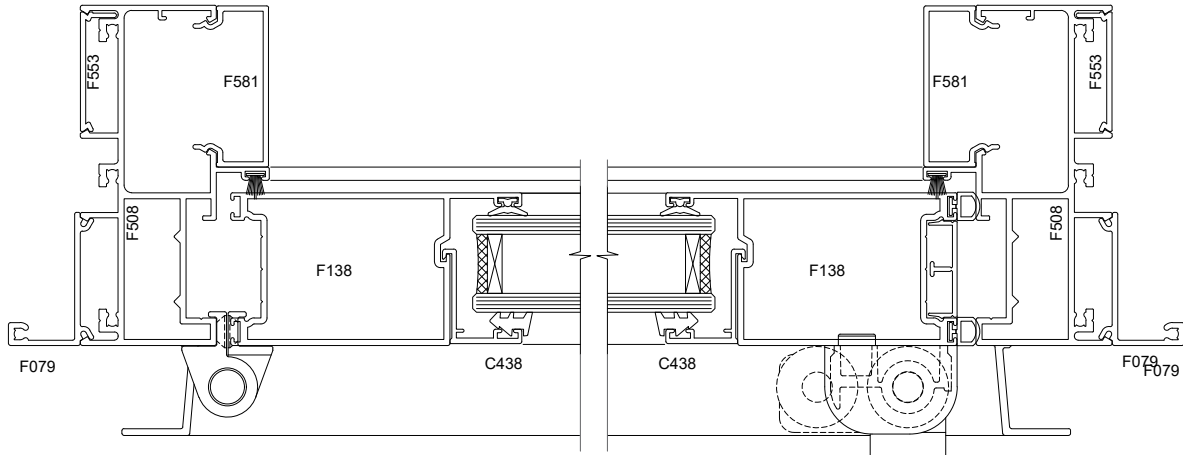
SECTION A-A

## TOP HUNG HOODED GUIDE BI-FOLD DOOR

FAIRVIEW SYSTEMS LIMITED SPECIFIERS GUIDE 2014 © TECHNICAL SPECIFICATIONS & PROFILE DETAILS SUBJECT TO CHANGE WITHOUT NOTICE

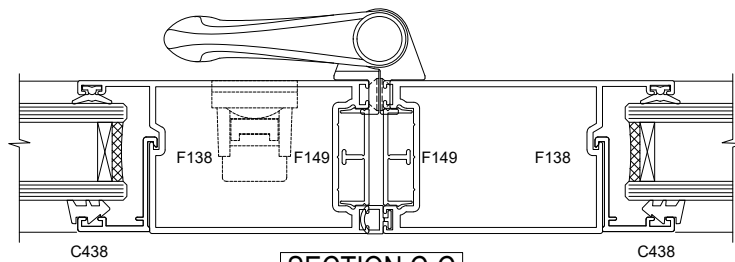
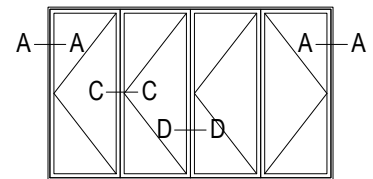
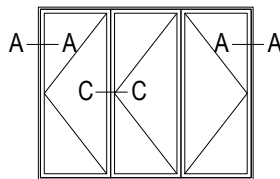
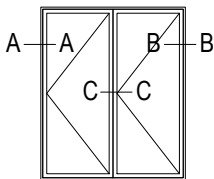
ARCHITECTURAL CUBIC 35 COMPLETE SUITE

DATE 12.06.2018	SCALE 1:2
REF. AC35.0061	

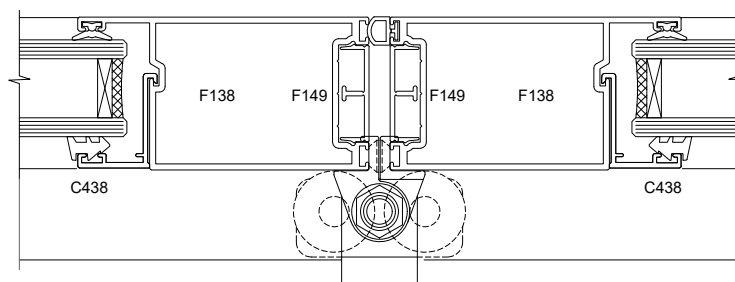


SECTION A-A

SECTION B-B



SECTION C-C



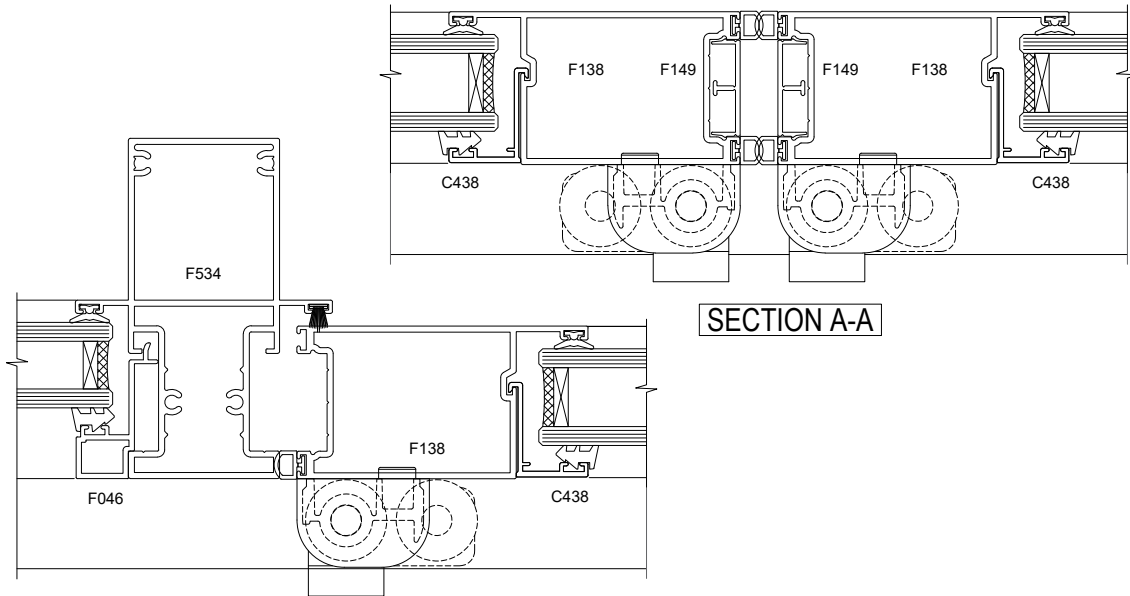
SECTION D-D

## TOP HUNG HOODED GUIDE BI-FOLD DOOR

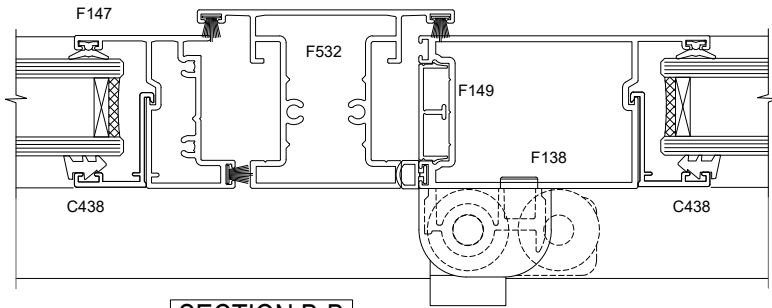
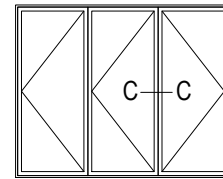
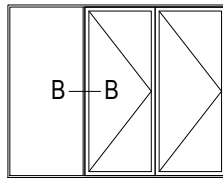
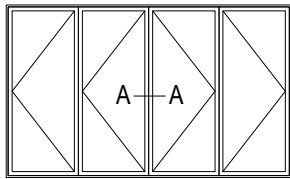
FAIRVIEW SYSTEMS LIMITED SPECIFIERS GUIDE 2014 © TECHNICAL SPECIFICATIONS & PROFILE DETAILS SUBJECT TO CHANGE WITHOUT NOTICE

ARCHITECTURAL CUBIC 35 COMPLETE SUITE

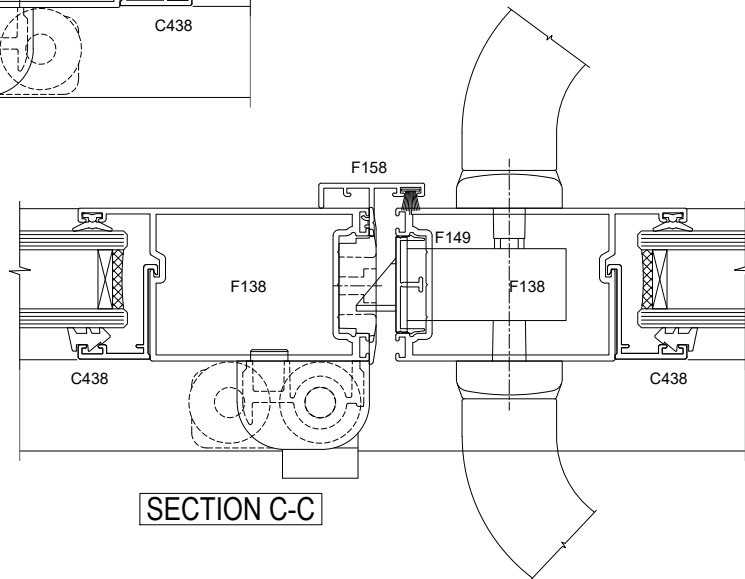
DATE 12.06.2018	SCALE 1:2
REF. AC35.0062	



SECTION B-B



SECTION B-B



SECTION C-C

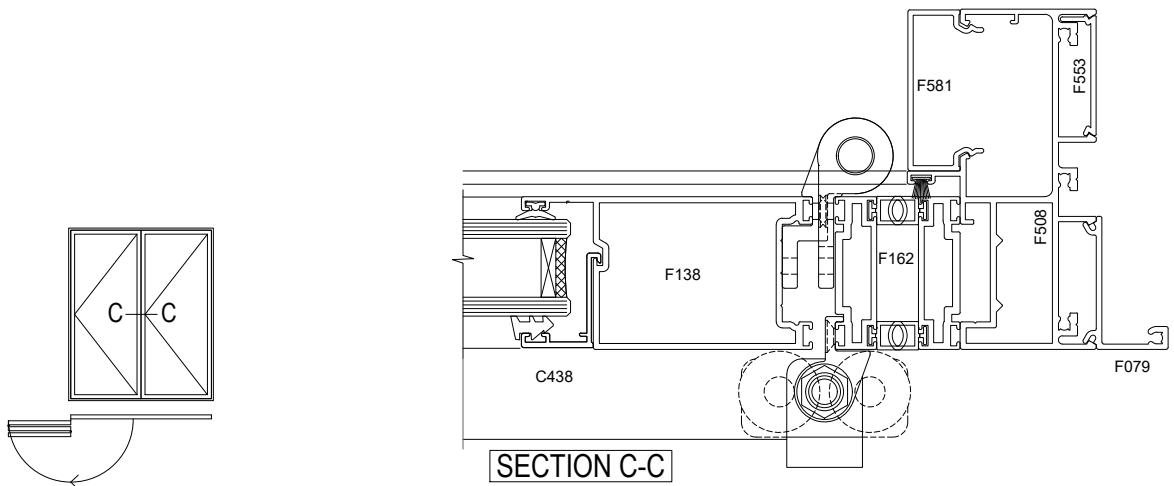
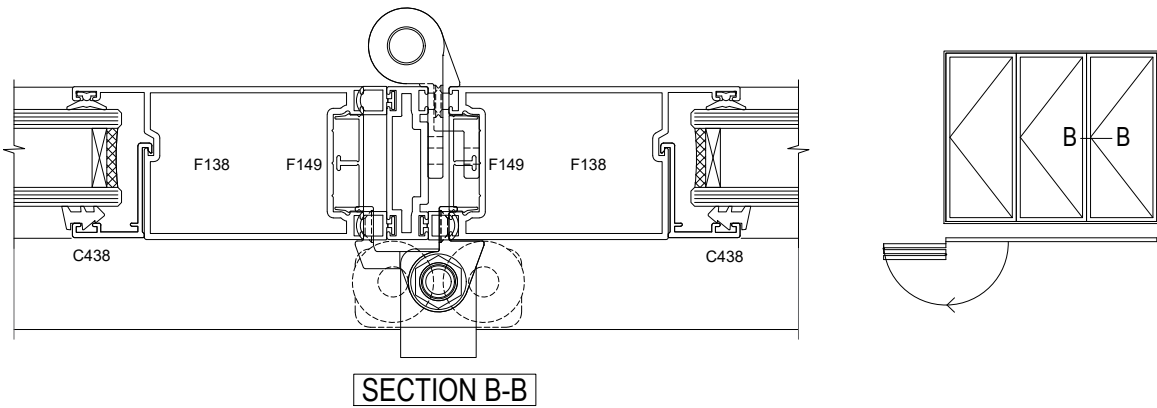
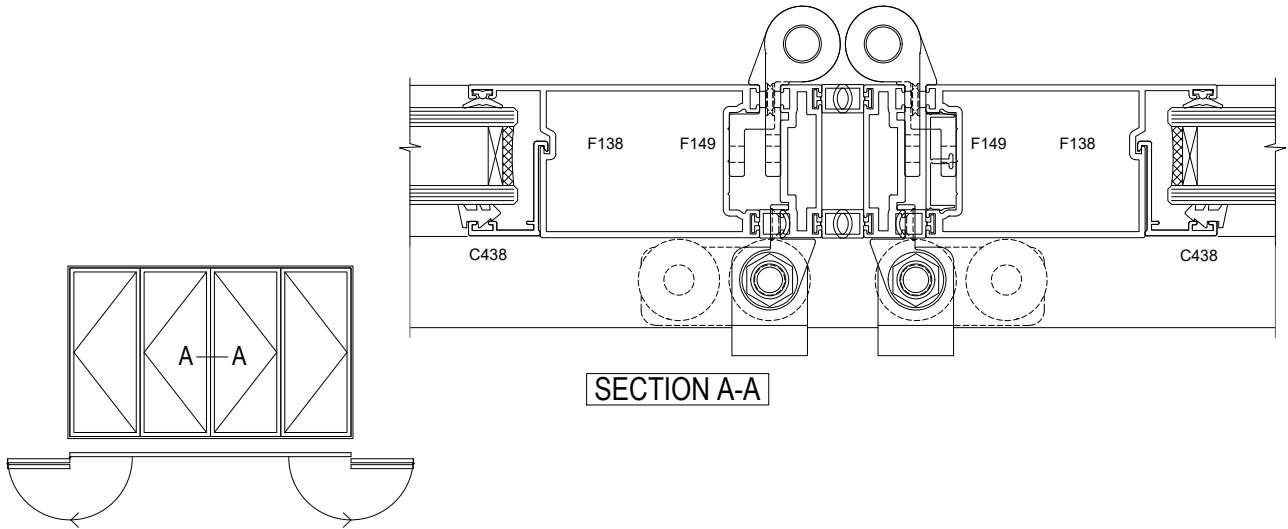
## TOP HUNG HOODED GUIDE BI-FOLD DOOR

FAIRVIEW SYSTEMS LIMITED SPECIFIERS GUIDE 2014 © TECHNICAL SPECIFICATIONS & PROFILE DETAILS SUBJECT TO CHANGE WITHOUT NOTICE

ARCHITECTURAL CUBIC 35 COMPLETE SUITE

DATE 12.06.2018	SCALE 1:2
REF. AC35.0063	





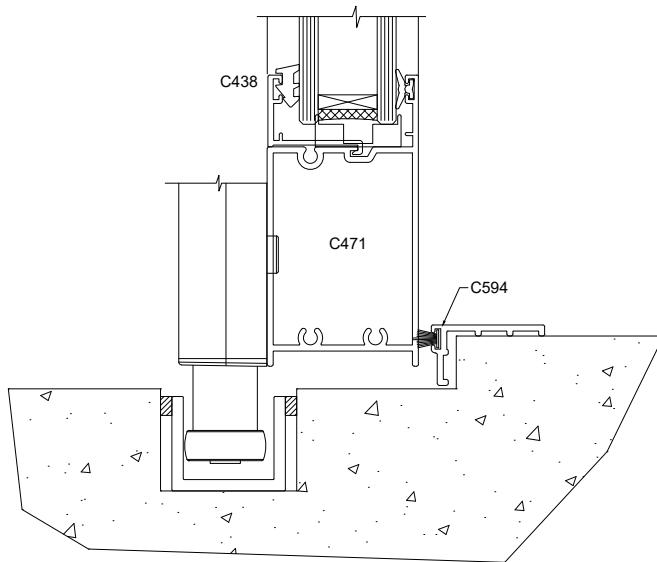
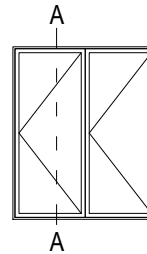
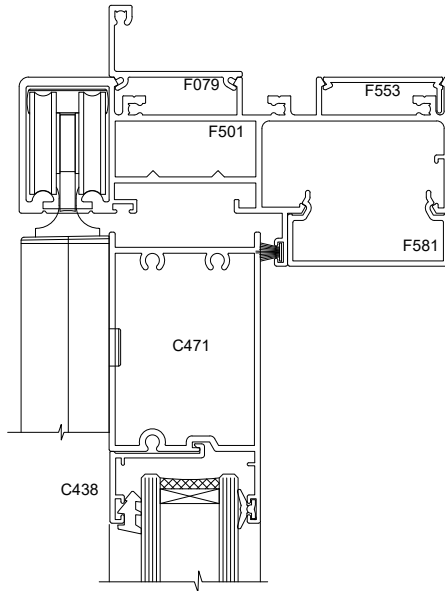
FREEFOLD

## TOP HUNG HOODED GUIDE BI-FOLD DOOR

FAIRVIEW SYSTEMS LIMITED SPECIFIERS GUIDE 2014 © TECHNICAL SPECIFICATIONS & PROFILE DETAILS SUBJECT TO CHANGE WITHOUT NOTICE

ARCHITECTURAL CUBIC 35 COMPLETE SUITE

DATE 12.06.2018	SCALE 1:2
REF. AC35.0064	



**SECTION A-A**

## TOP HUNG NON-WEATHERED GUIDE BI-FOLD DOOR

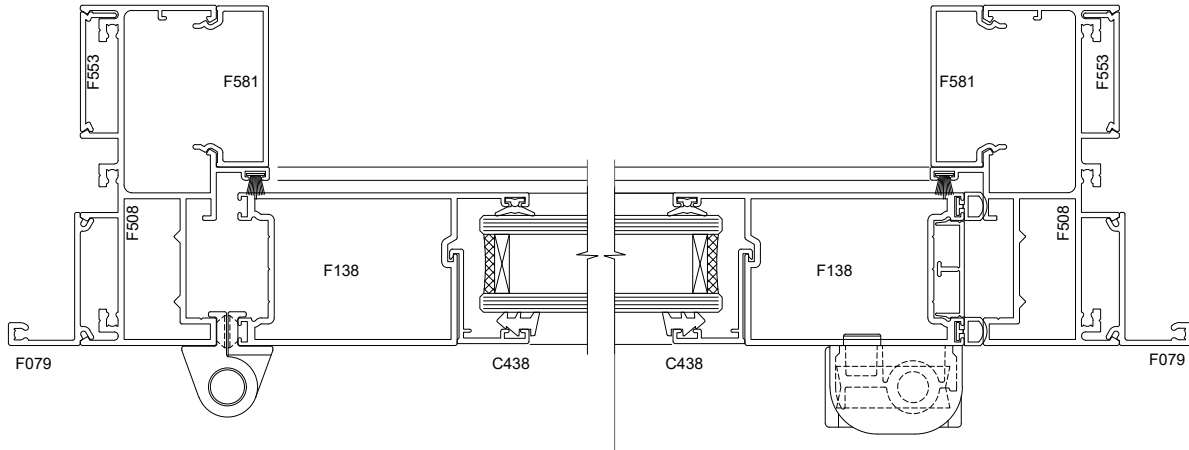
FAIRVIEW SYSTEMS LIMITED SPECIFIERS GUIDE 2014 © TECHNICAL SPECIFICATIONS & PROFILE DETAILS SUBJECT TO CHANGE WITHOUT NOTICE

**ARCHITECTURAL CUBIC 35 COMPLETE SUITE**

DATE  
12.06.2018

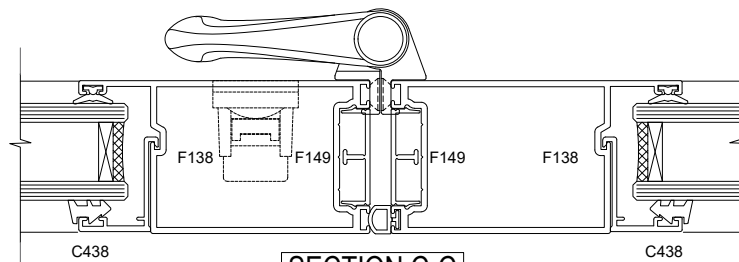
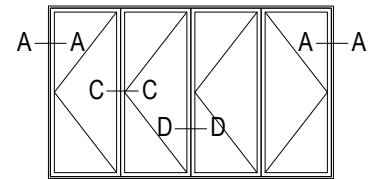
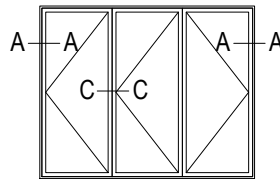
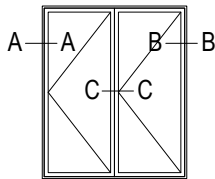
SCALE  
1:2

REF. AC35.0071

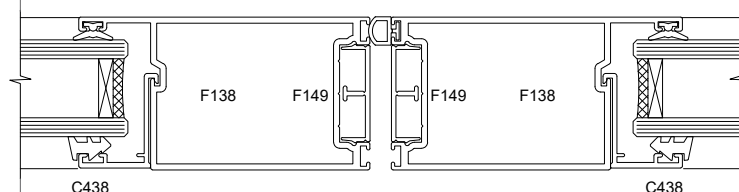


SECTION A-A

SECTION B-B



SECTION C-C



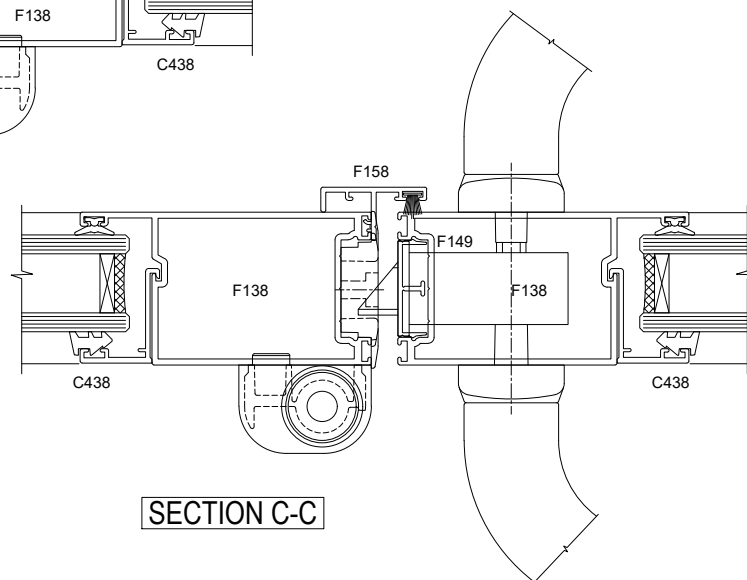
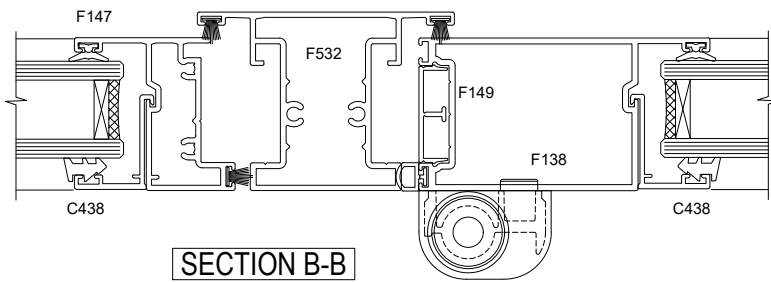
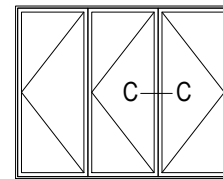
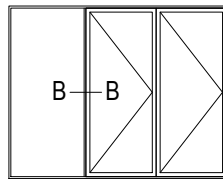
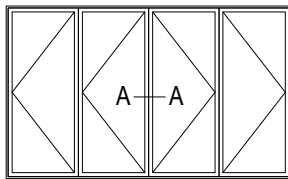
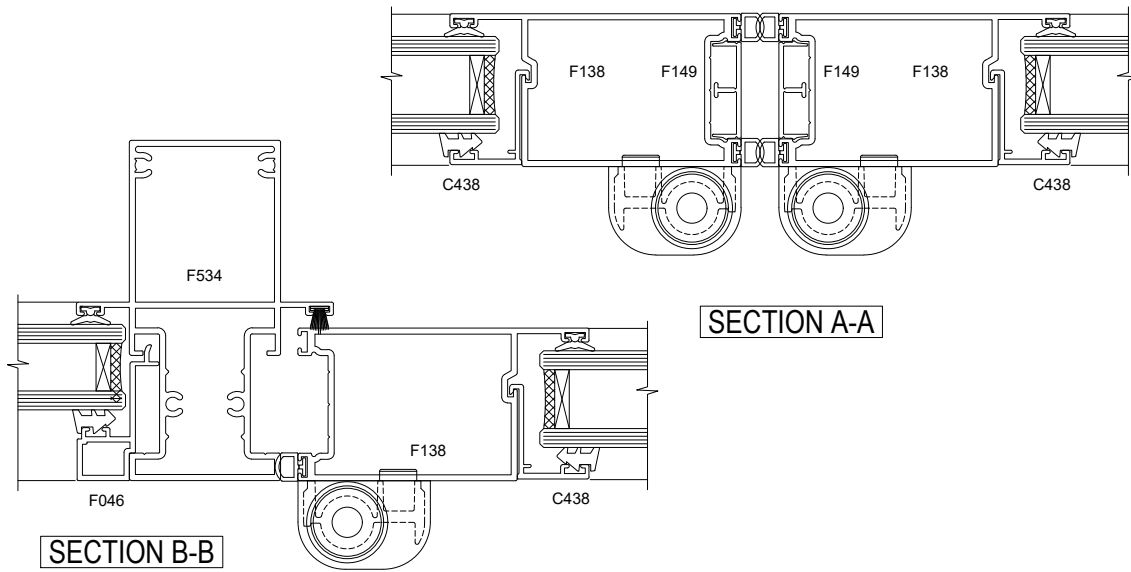
SECTION D-D

## TOP HUNG NON-WEATHERED GUIDE BI-FOLD DOOR

FAIRVIEW SYSTEMS LIMITED SPECIFIERS GUIDE 2014 © TECHNICAL SPECIFICATIONS & PROFILE DETAILS SUBJECT TO CHANGE WITHOUT NOTICE

ARCHITECTURAL CUBIC 35 COMPLETE SUITE

DATE 12.06.2018	SCALE 1:2
REF. AC35.0072	

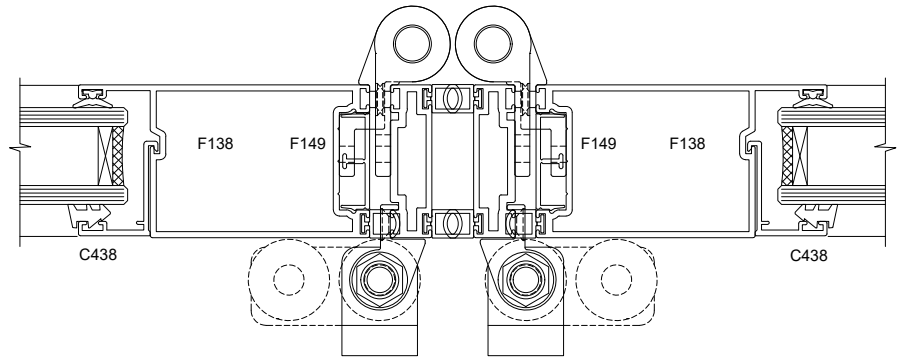


## TOP HUNG NON-WEATHERED GUIDE BI-FOLD DOOR

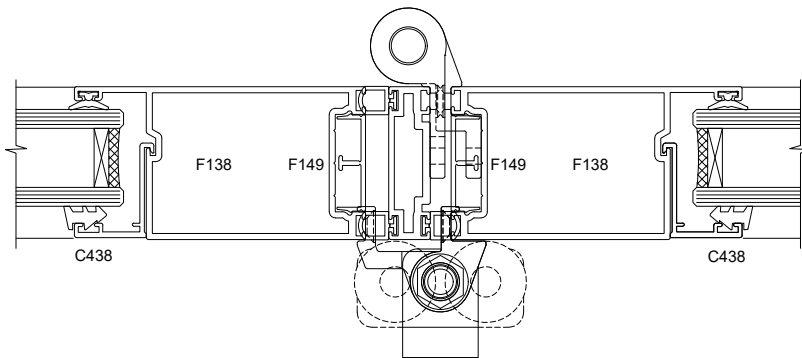
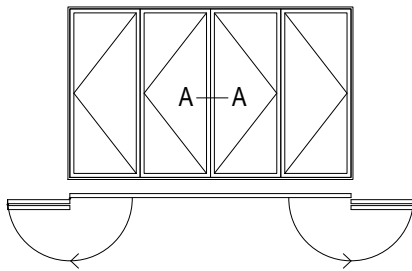
FAIRVIEW SYSTEMS LIMITED SPECIFIERS GUIDE 2014 © TECHNICAL SPECIFICATIONS & PROFILE DETAILS SUBJECT TO CHANGE WITHOUT NOTICE

**ARCHITECTURAL CUBIC 35 COMPLETE SUITE**

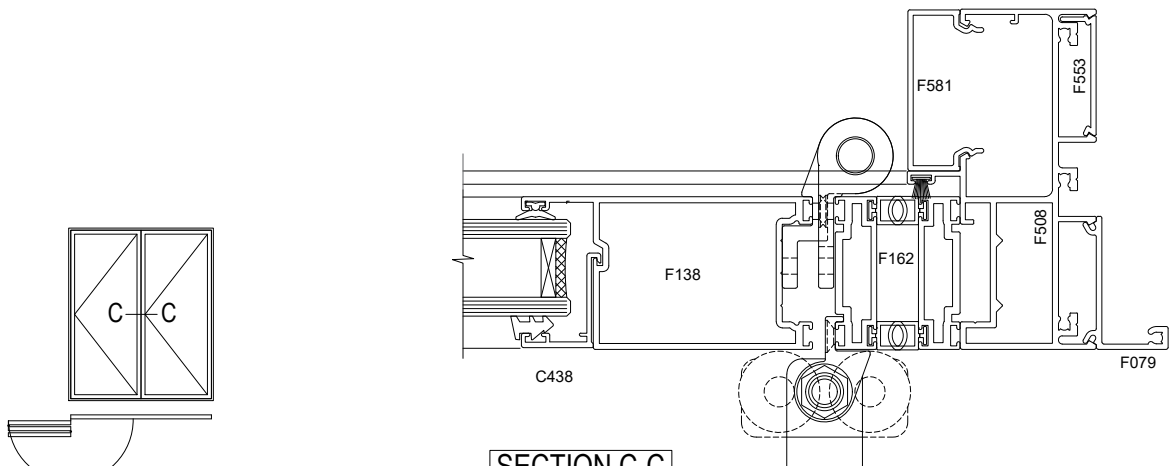
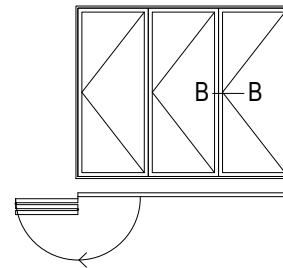
DATE 12.06.2018	SCALE 1:2
REF. AC35.0073	



SECTION A-A



SECTION B-B



SECTION C-C

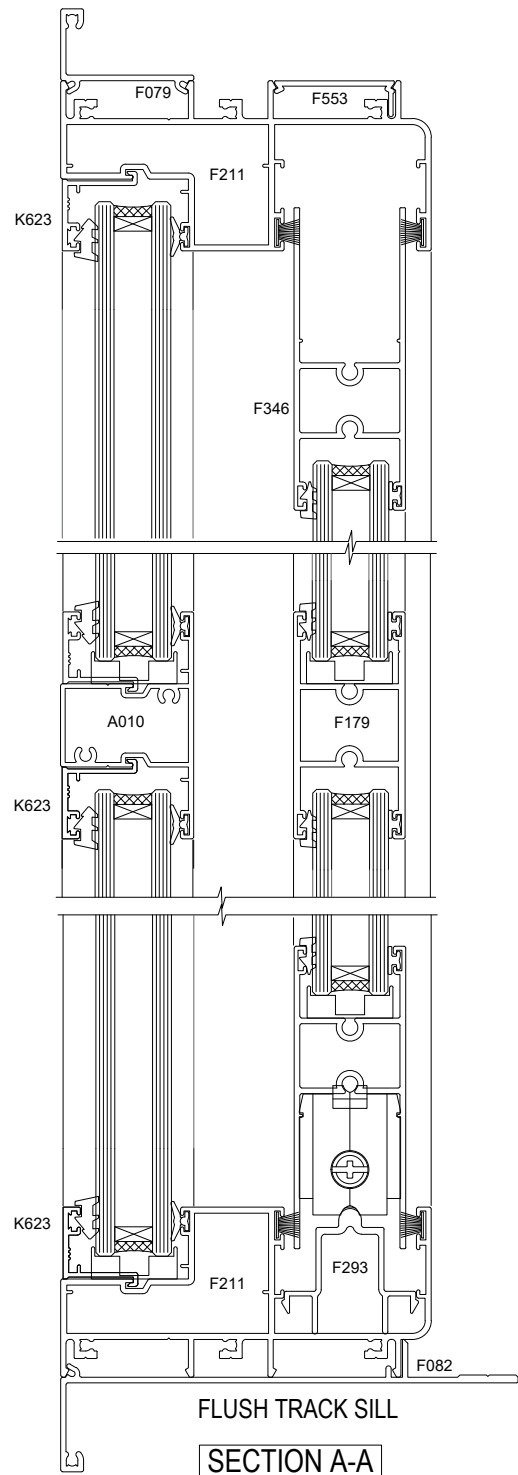
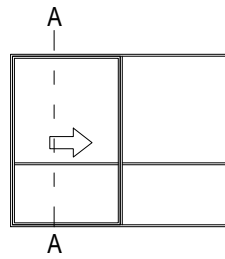
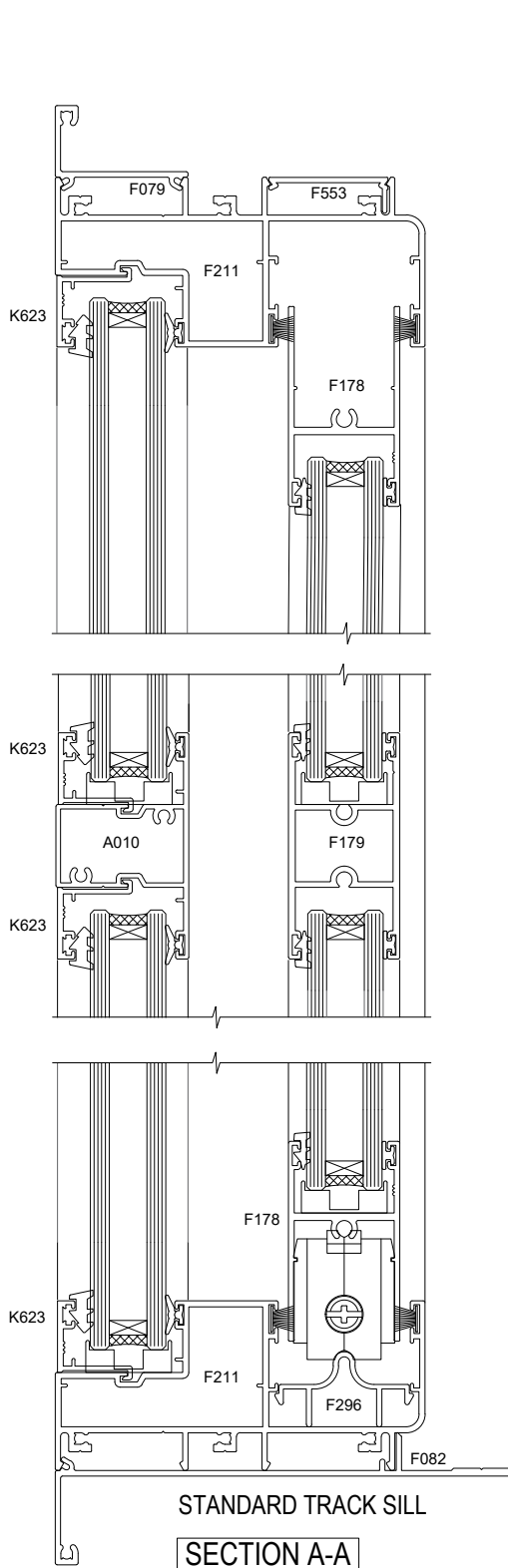
FREEFOLD

## TOP HUNG NON-WEATHERED GUIDE BI-FOLD DOOR

FAIRVIEW SYSTEMS LIMITED SPECIFIERS GUIDE 2014 © TECHNICAL SPECIFICATIONS & PROFILE DETAILS SUBJECT TO CHANGE WITHOUT NOTICE

ARCHITECTURAL CUBIC 35 COMPLETE SUITE

DATE 12.06.2018	SCALE 1:2
REF. AC35.0074	

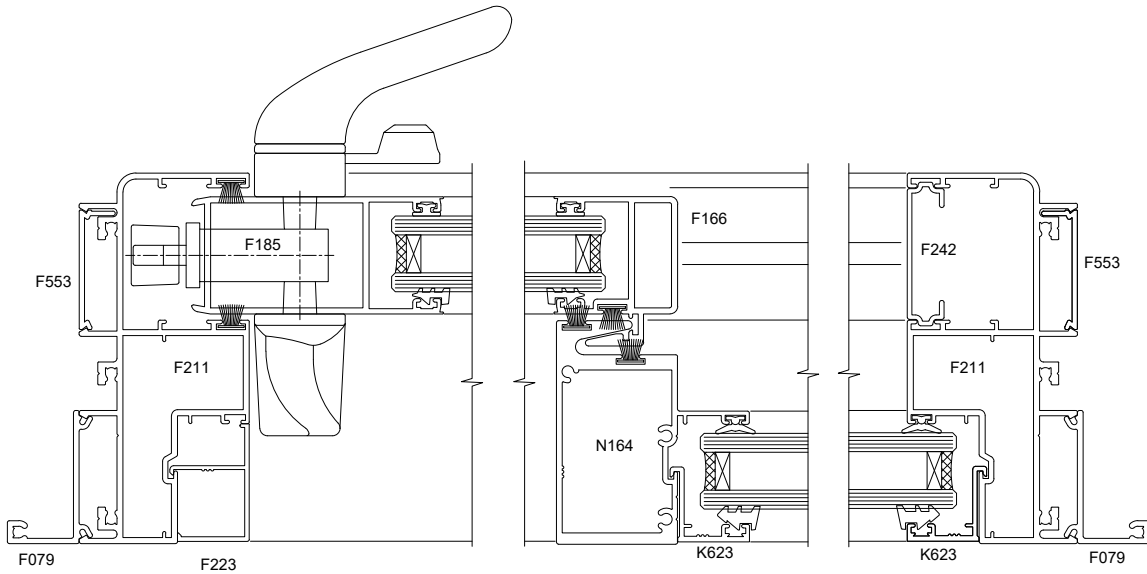


## SLIDING DOOR

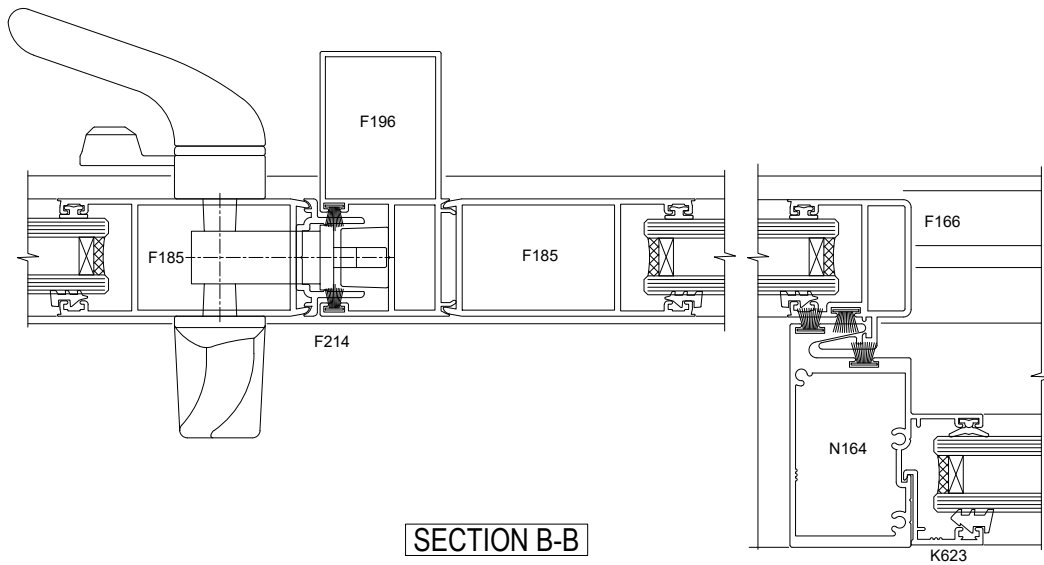
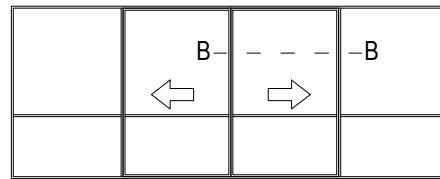
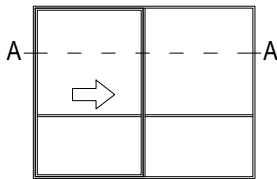
FAIRVIEW SYSTEMS LIMITED SPECIFIERS GUIDE 2014 © TECHNICAL SPECIFICATIONS & PROFILE DETAILS SUBJECT TO CHANGE WITHOUT NOTICE

ARCHITECTURAL CUBIC 35 COMPLETE SUITE

DATE 12.06.2018	SCALE 1:2
REF. AC35.0081	



SECTION A-A



SECTION B-B

## SLIDING DOOR

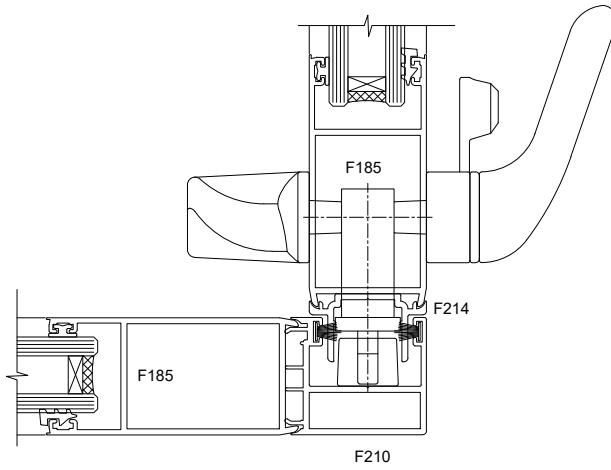
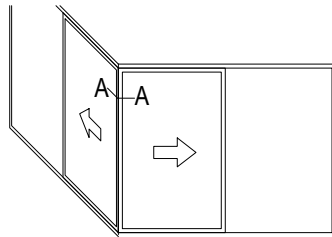
FAIRVIEW SYSTEMS LIMITED SPECIFIERS GUIDE 2014 © TECHNICAL SPECIFICATIONS & PROFILE DETAILS SUBJECT TO CHANGE WITHOUT NOTICE

ARCHITECTURAL CUBIC 35 COMPLETE SUITE

DATE  
12.06.2018

SCALE  
1:2

REF. AC35.0082



SECTION A-A

## SLIDING DOOR

FAIRVIEW SYSTEMS LIMITED SPECIFIERS GUIDE 2014 © TECHNICAL SPECIFICATIONS & PROFILE DETAILS SUBJECT TO CHANGE WITHOUT NOTICE

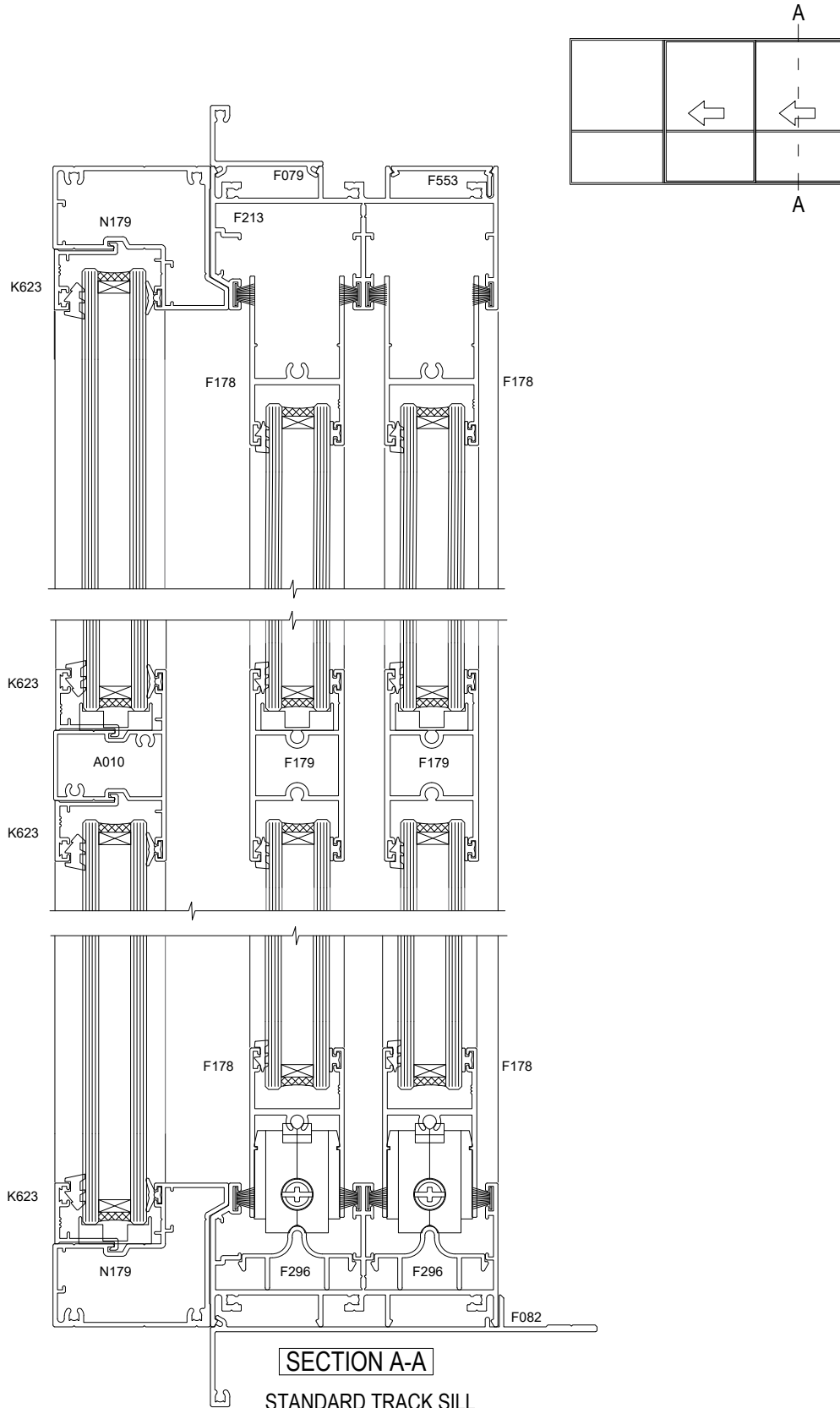
ARCHITECTURAL CUBIC 35 COMPLETE SUITE

DATE  
12.06.2018

SCALE  
1:2

REF. AC35.0083

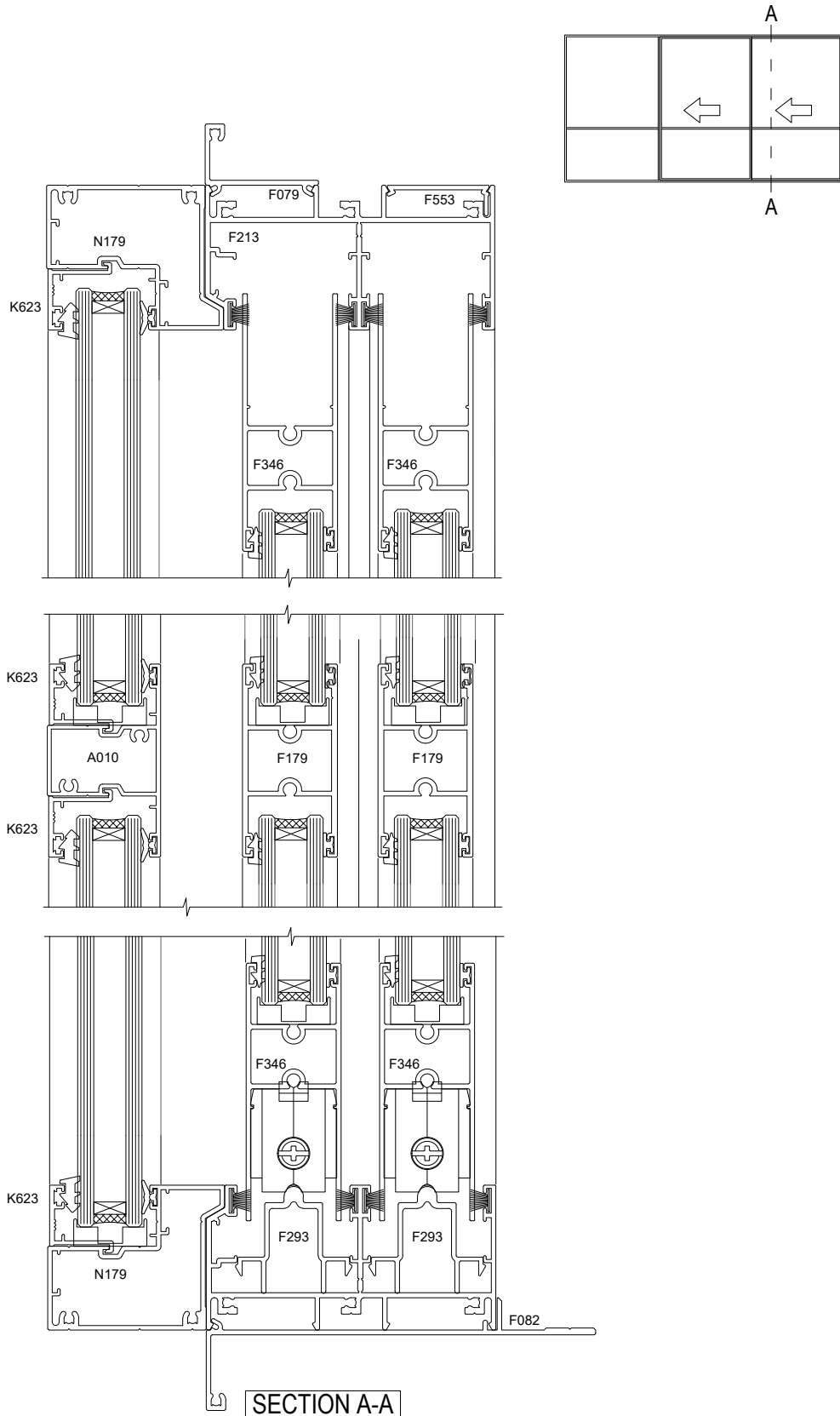




FAIRVIEW SYSTEMS LIMITED SPECIFIERS GUIDE 2014 © TECHNICAL SPECIFICATIONS & PROFILE DETAILS SUBJECT TO CHANGE WITHOUT NOTICE

## ARCHITECTURAL CUBIC 35 COMPLETE SUITE

DATE 12.06.2018	SCALE 1:2
REF. AC35.0091	

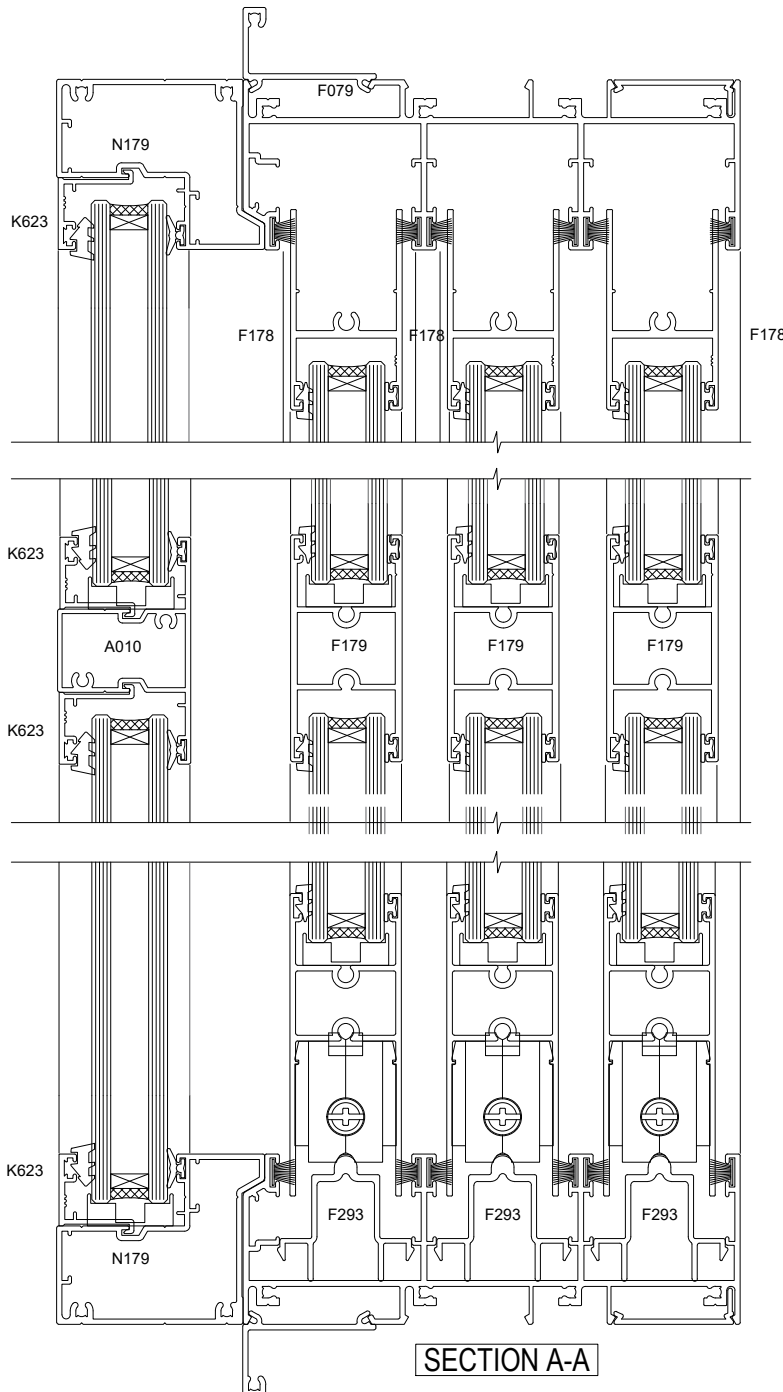
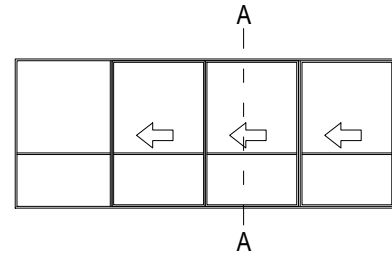


FLUSH TRACK SILL  
STACKING DOOR

FAIRVIEW SYSTEMS LIMITED SPECIFIERS GUIDE 2014 © TECHNICAL SPECIFICATIONS & PROFILE DETAILS SUBJECT TO CHANGE WITHOUT NOTICE

## ARCHITECTURAL CUBIC 35 COMPLETE SUITE

DATE 12.06.2018	SCALE 1:2
REF. AC35.0092	



## STACKING DOOR

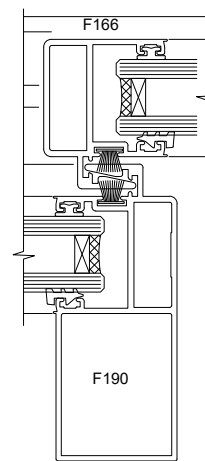
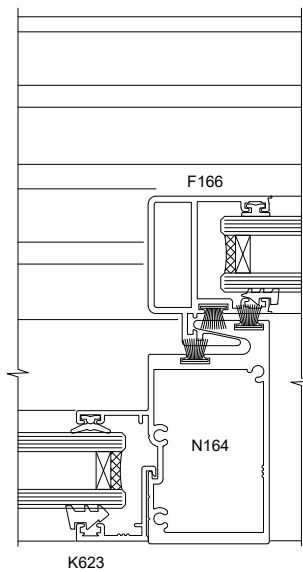
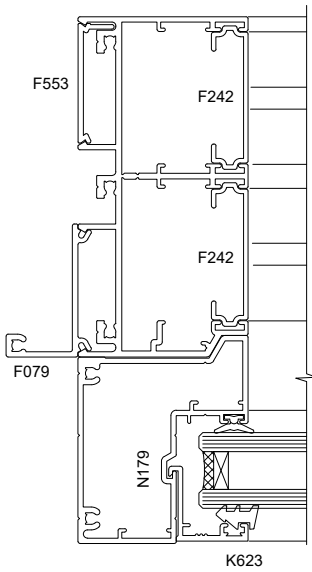
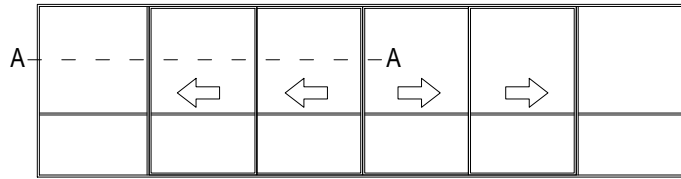
FAIRVIEW SYSTEMS LIMITED SPECIFIERS GUIDE 2014 © TECHNICAL SPECIFICATIONS & PROFILE DETAILS SUBJECT TO CHANGE WITHOUT NOTICE

**ARCHITECTURAL CUBIC 35 COMPLETE SUITE**

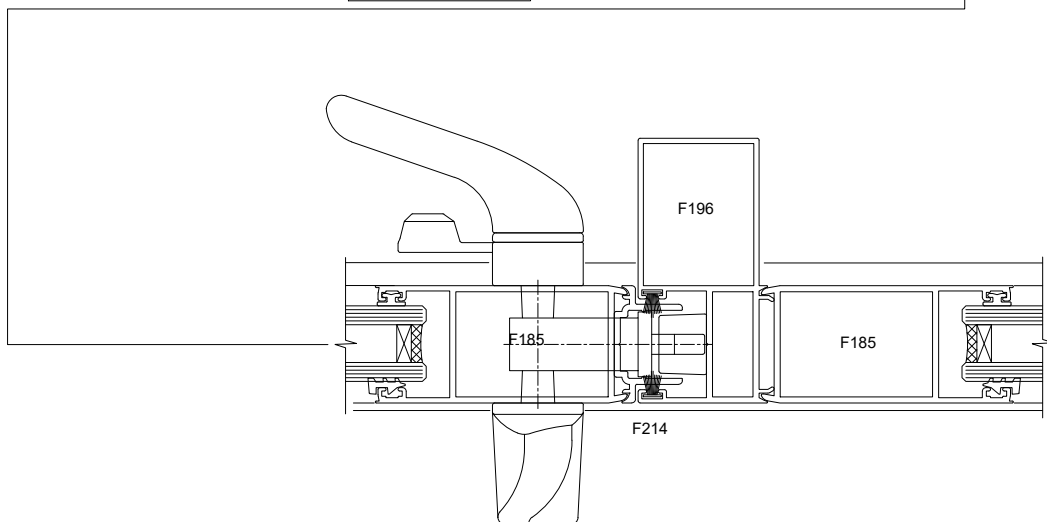
DATE  
12.06.2018

SCALE  
1:2

REF. AC35.0093



SECTION A-A

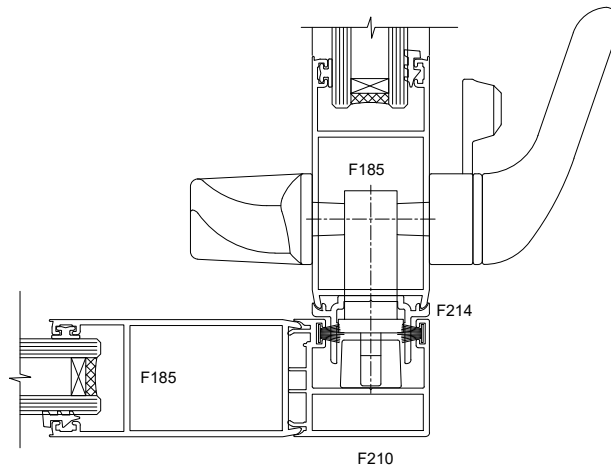
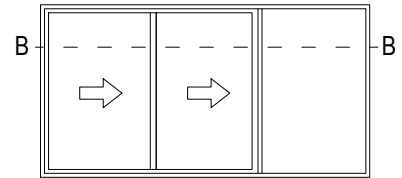
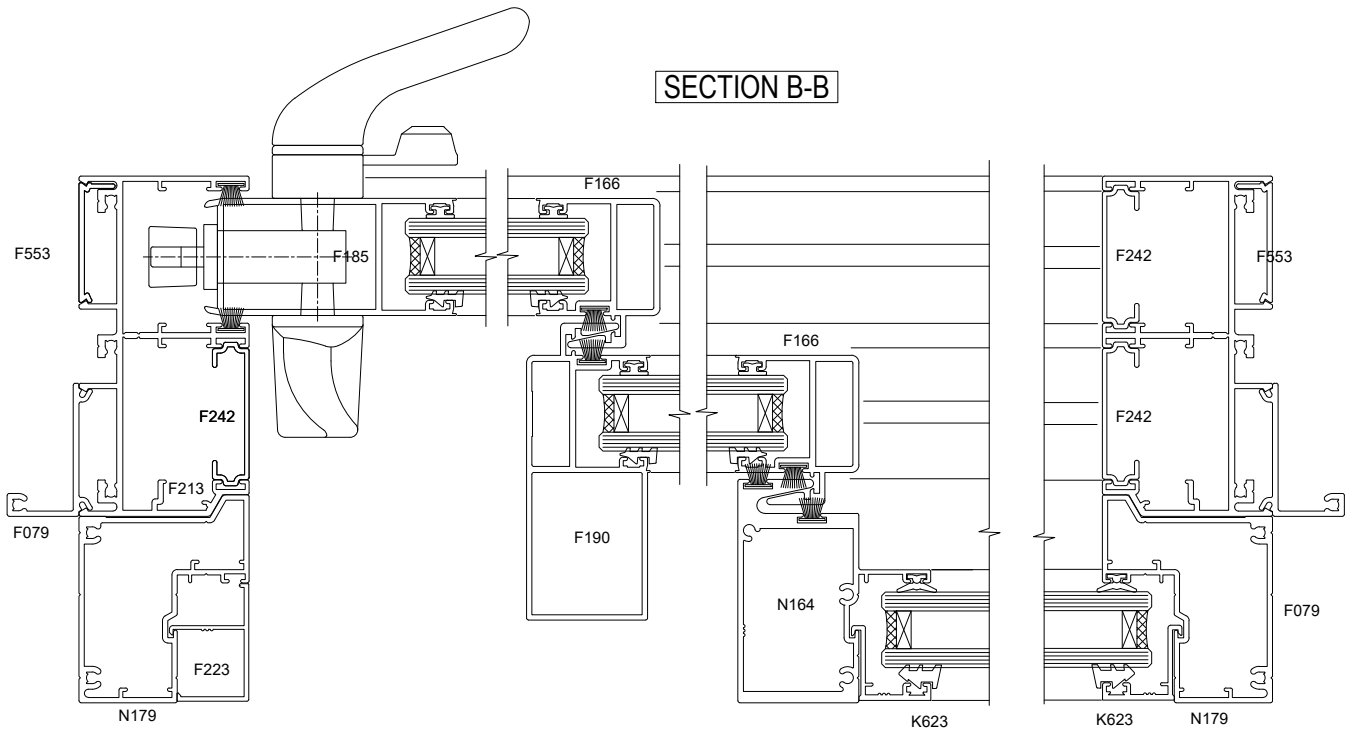


## STACKING DOOR

FAIRVIEW SYSTEMS LIMITED SPECIFIERS GUIDE 2014 © TECHNICAL SPECIFICATIONS & PROFILE DETAILS SUBJECT TO CHANGE WITHOUT NOTICE

ARCHITECTURAL CUBIC 35 COMPLETE SUITE

DATE 12.06.2018	SCALE 1:2
REF. AC35.0094	



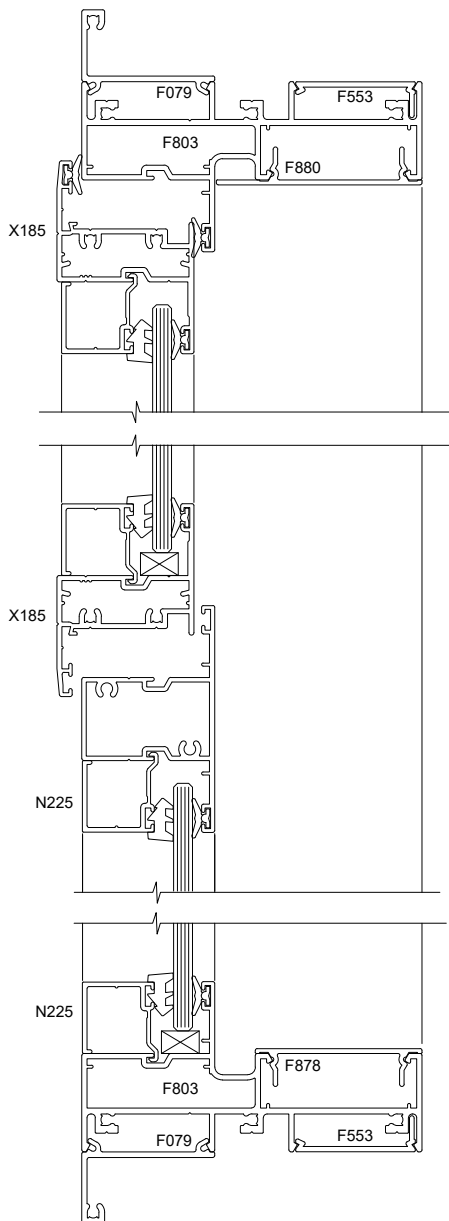
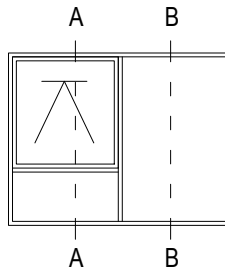
**SECTION A-A**

## STACKING DOOR

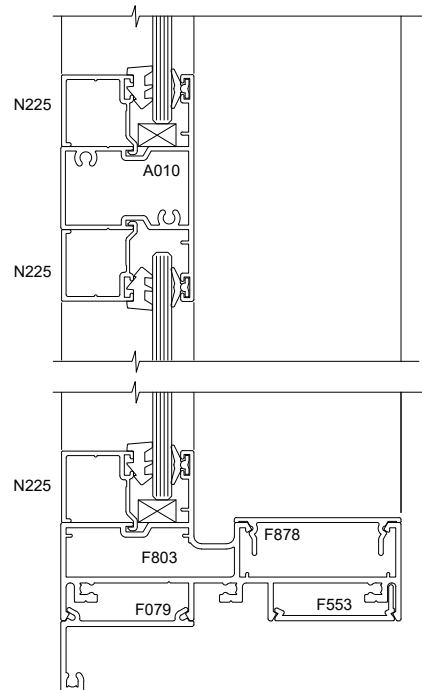
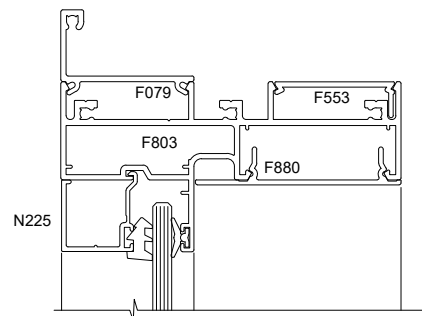
FAIRVIEW SYSTEMS LIMITED SPECIFIERS GUIDE 2014 © TECHNICAL SPECIFICATIONS & PROFILE DETAILS SUBJECT TO CHANGE WITHOUT NOTICE

### ARCHITECTURAL CUBIC 35 COMPLETE SUITE

DATE 12.06.2018	SCALE 1:2
REF. AC35.0095	



SECTION A-A



SECTION B-B

## AWNING / CASEMENT WINDOW

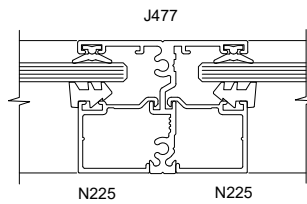
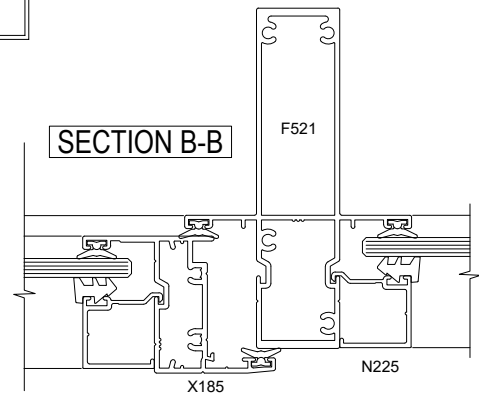
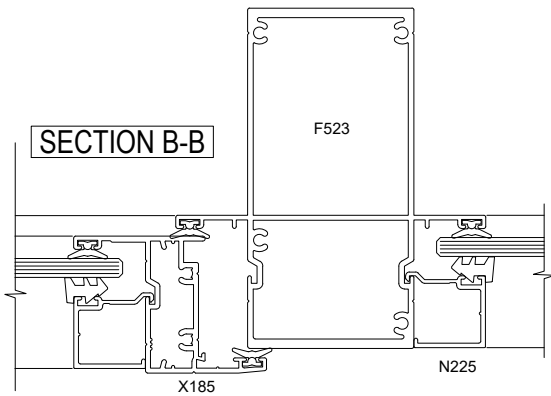
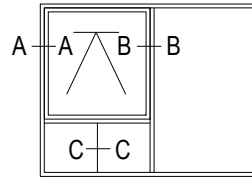
FAIRVIEW SYSTEMS LIMITED SPECIFIERS GUIDE 2014 © TECHNICAL SPECIFICATIONS & PROFILE DETAILS SUBJECT TO CHANGE WITHOUT NOTICE

ARCHITECTURAL CUBIC 35 COMPLETE SUITE

DATE  
12.06.2018

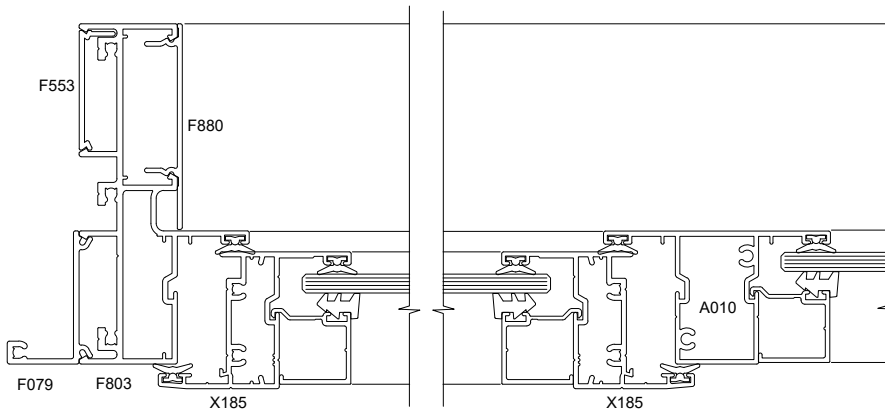
SCALE  
1:2

REF. AC35.1001



SECTION B-B

SECTION C-C



SECTION A-A

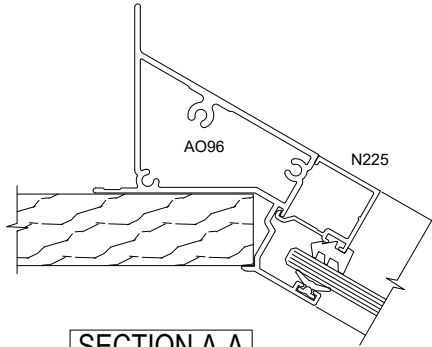
SECTION B-B

## AWNING / CASEMENT WINDOW

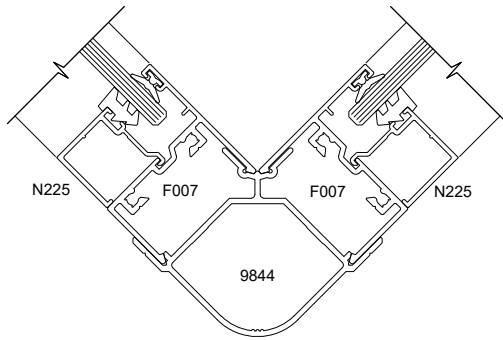
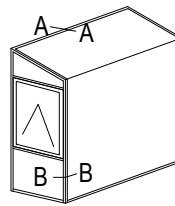
FAIRVIEW SYSTEMS LIMITED SPECIFIERS GUIDE 2014 © TECHNICAL SPECIFICATIONS & PROFILE DETAILS SUBJECT TO CHANGE WITHOUT NOTICE

ARCHITECTURAL CUBIC 35 COMPLETE SUITE

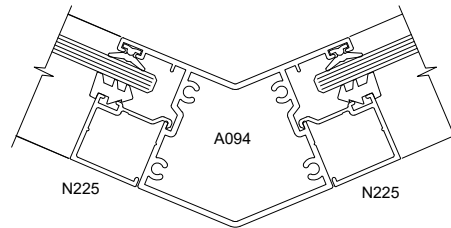
DATE 12.06.2018	SCALE 1:2
REF. AC35.1002	



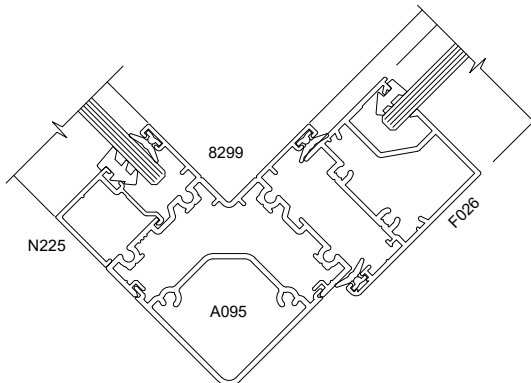
**SECTION A-A**



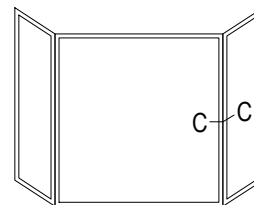
**SECTION B-B**



**SECTION C-C**



**SECTION B-B**



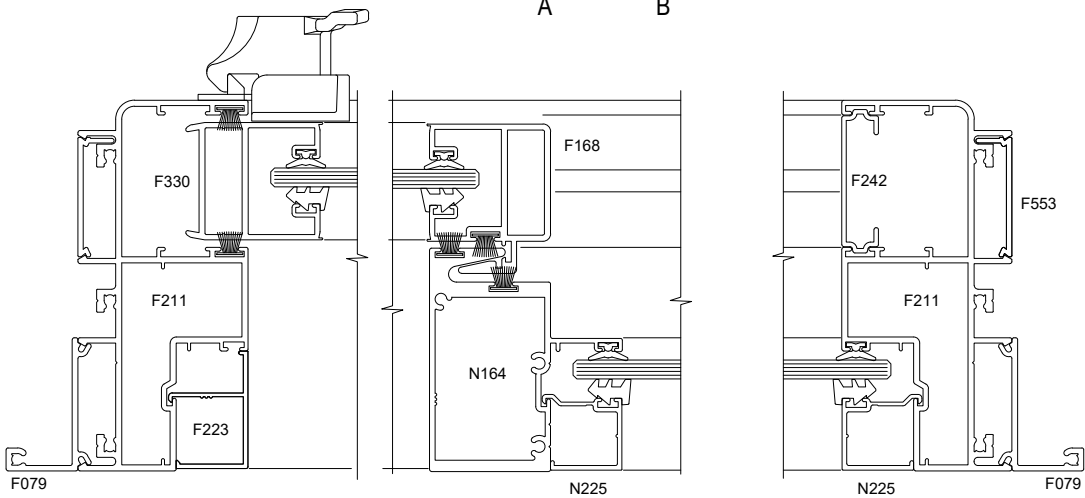
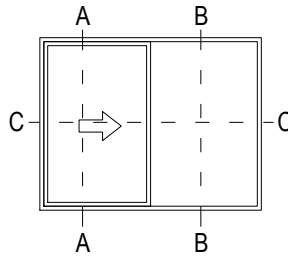
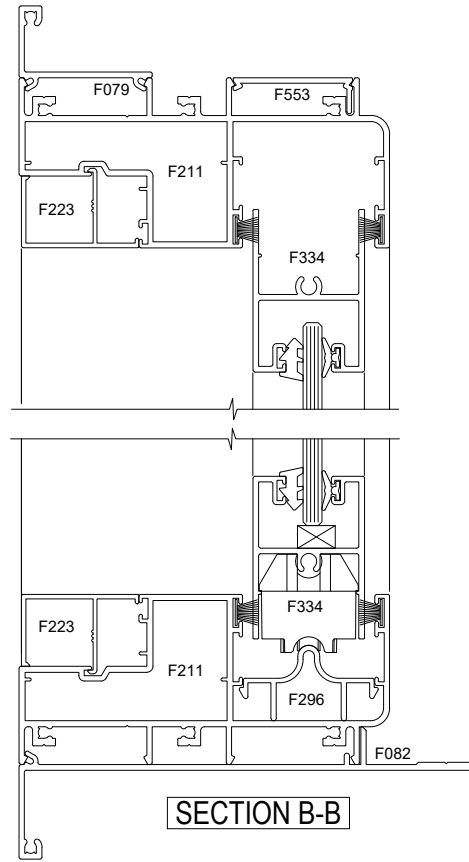
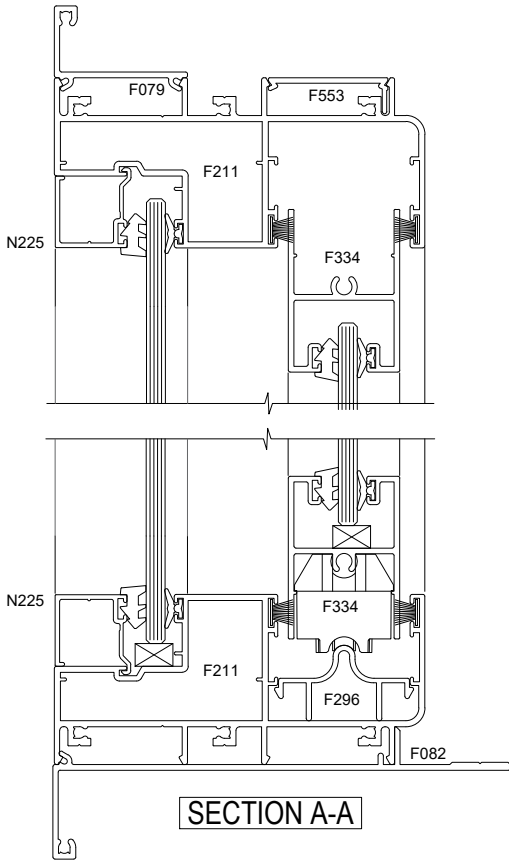
## BOX & BAY WINDOW

FAIRVIEW SYSTEMS LIMITED SPECIFIERS GUIDE 2014 © TECHNICAL SPECIFICATIONS & PROFILE DETAILS SUBJECT TO CHANGE WITHOUT NOTICE

**ARCHITECTURAL CUBIC 35 COMPLETE SUITE**

DATE 12.06.2018	SCALE 1:2
REF. AC35.1003	





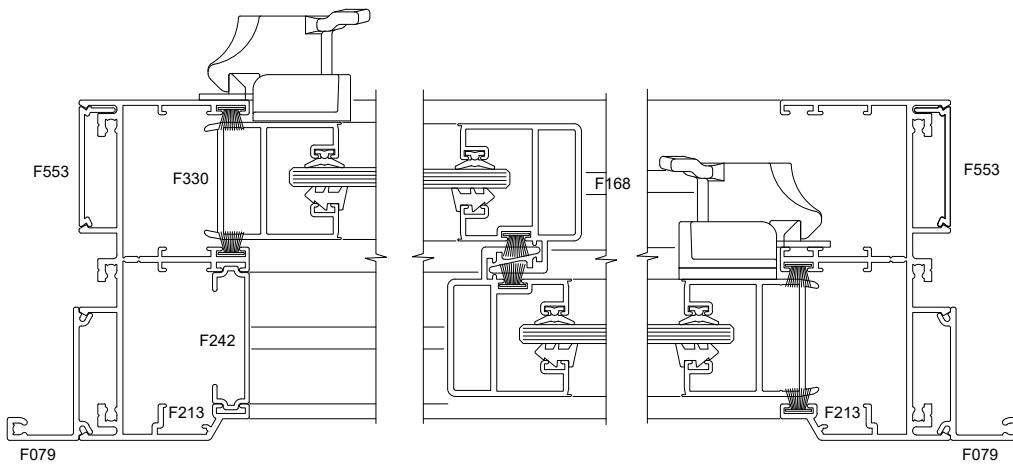
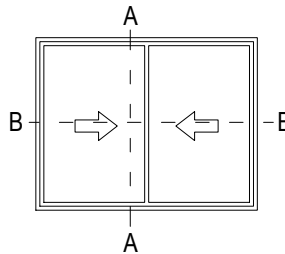
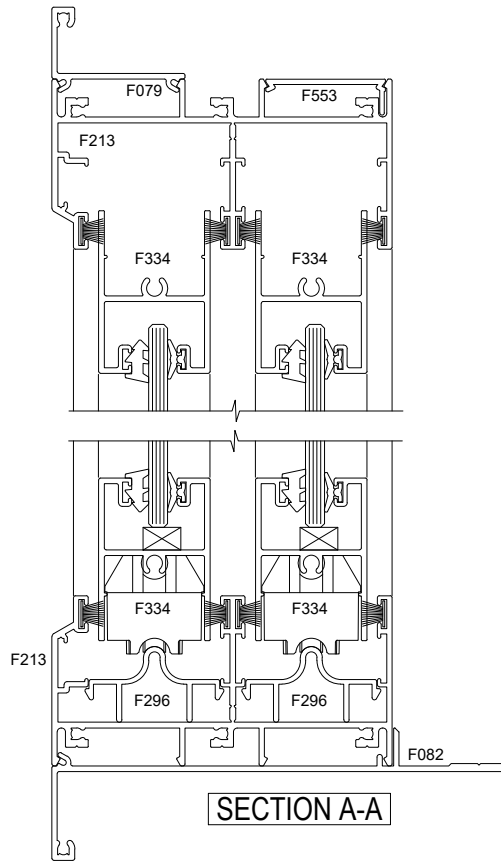
**SECTION C-C**

## SLIDING WINDOW

FAIRVIEW SYSTEMS LIMITED SPECIFIERS GUIDE 2014 © TECHNICAL SPECIFICATIONS & PROFILE DETAILS SUBJECT TO CHANGE WITHOUT NOTICE

**ARCHITECTURAL CUBIC 35 COMPLETE SUITE**

DATE 12.06.2018	SCALE 1:2
REF. AC35.1021	



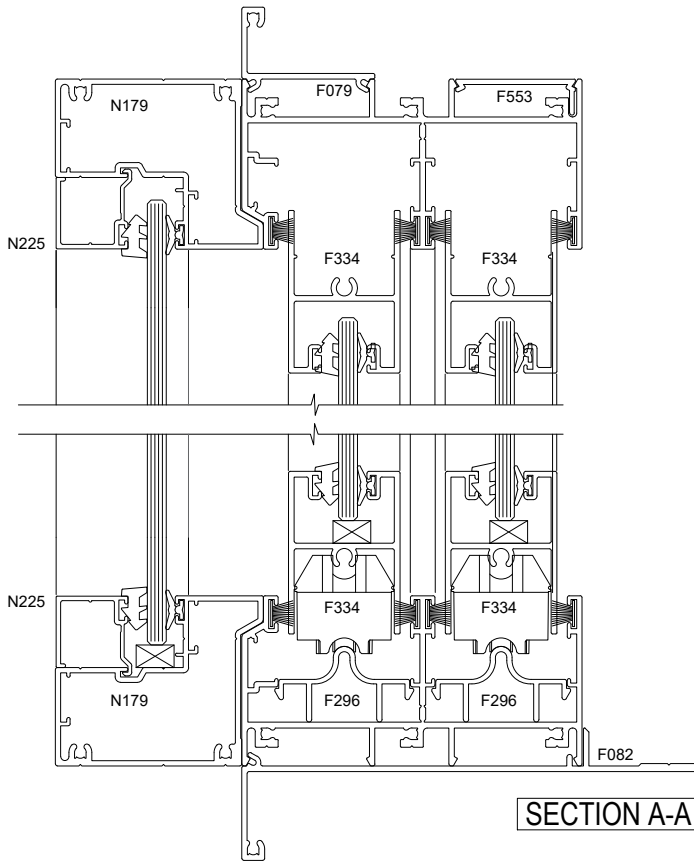
**SECTION B-B**

## SLIDING WINDOW

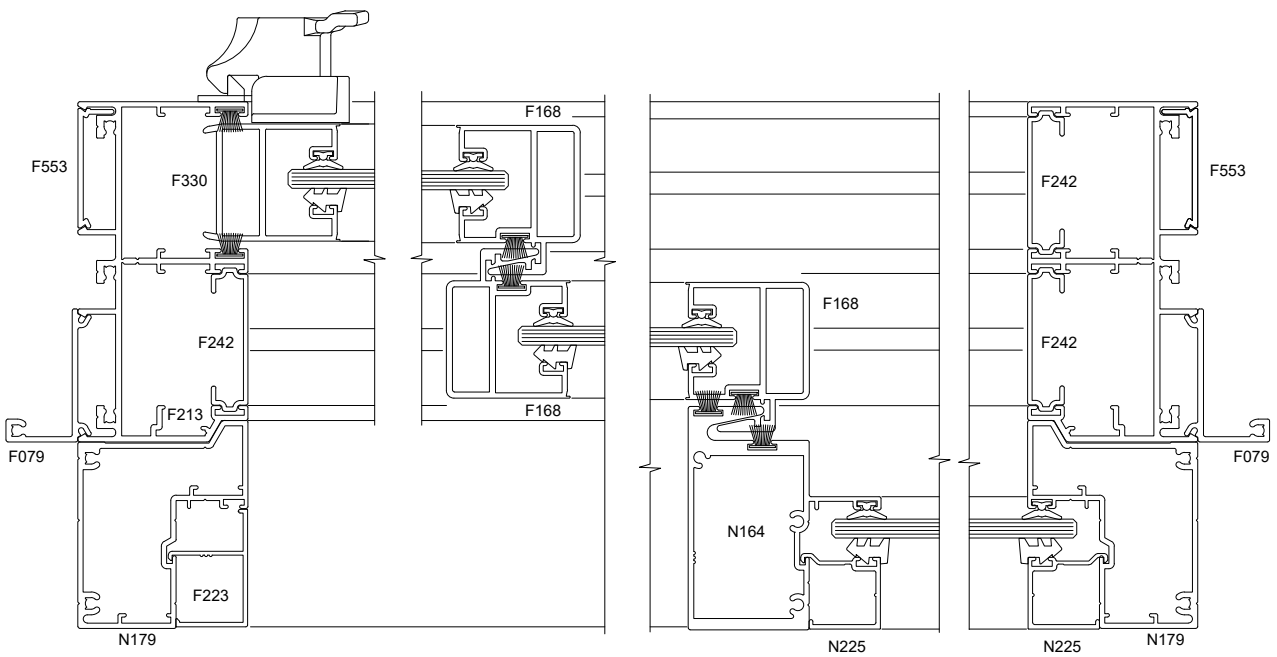
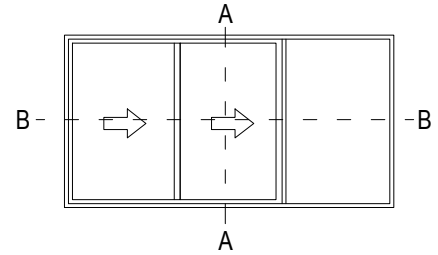
FAIRVIEW SYSTEMS LIMITED SPECIFIERS GUIDE 2014 © TECHNICAL SPECIFICATIONS & PROFILE DETAILS SUBJECT TO CHANGE WITHOUT NOTICE

### ARCHITECTURAL CUBIC 35 COMPLETE SUITE

DATE 12.06.2018	SCALE 1:2
REF. AC35.1022	



SECTION A-A



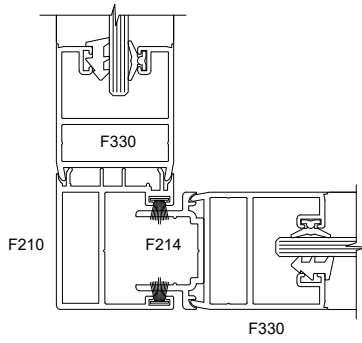
SECTION B-B

## SLIDING WINDOW

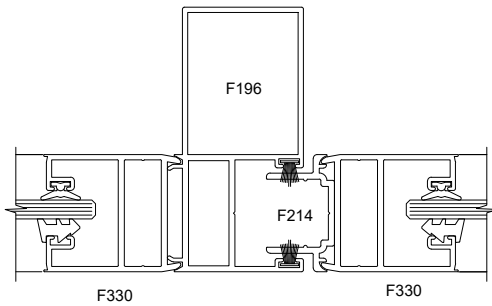
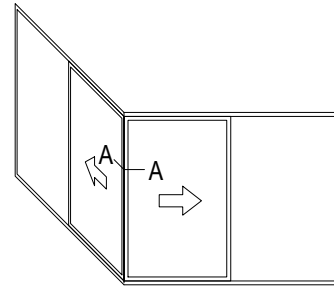
FAIRVIEW SYSTEMS LIMITED SPECIFIERS GUIDE 2014 © TECHNICAL SPECIFICATIONS & PROFILE DETAILS SUBJECT TO CHANGE WITHOUT NOTICE

### ARCHITECTURAL CUBIC 35 COMPLETE SUITE

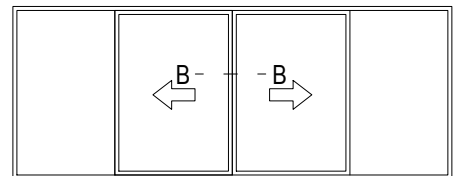
DATE 12.06.2018	SCALE 1:2
REF. AC35.1023	



SECTION A-A



SECTION B-B



## SLIDING WINDOW

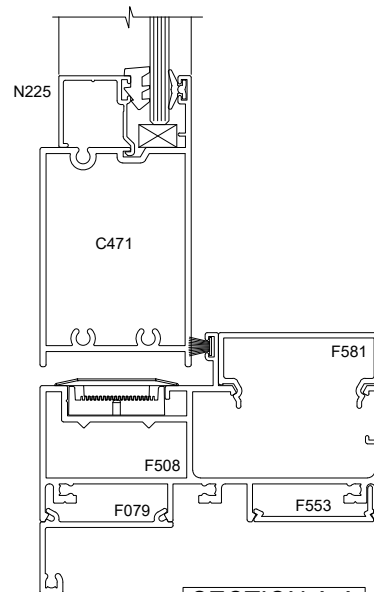
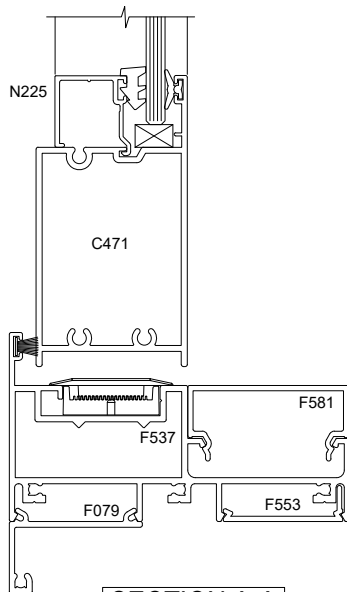
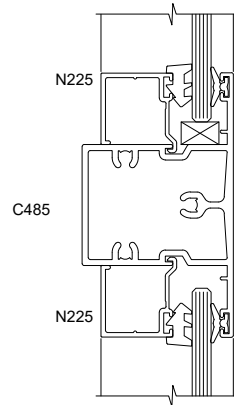
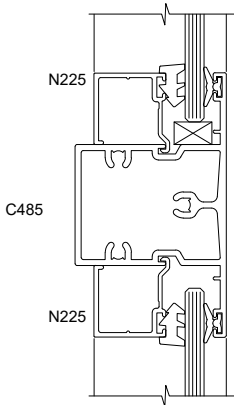
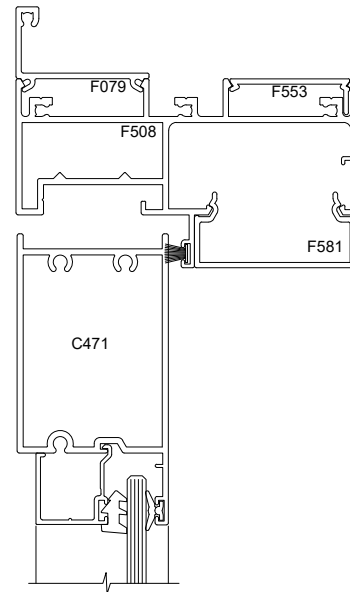
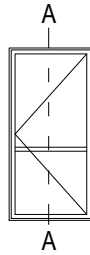
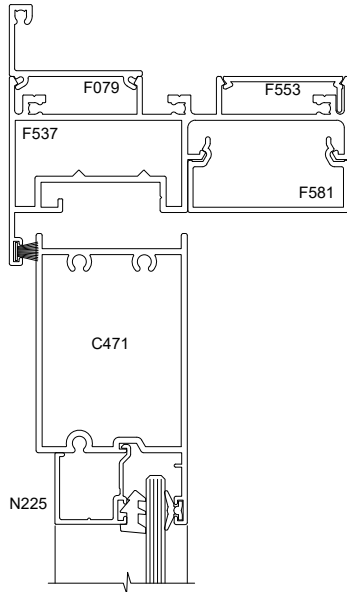
FAIRVIEW SYSTEMS LIMITED SPECIFIERS GUIDE 2014 © TECHNICAL SPECIFICATIONS & PROFILE DETAILS SUBJECT TO CHANGE WITHOUT NOTICE

ARCHITECTURAL CUBIC 35 COMPLETE SUITE

DATE  
12.06.2018

SCALE  
1:2

REF. AC35.1024



**SECTION A-A**

## HINGED DOOR

**SECTION A-A**

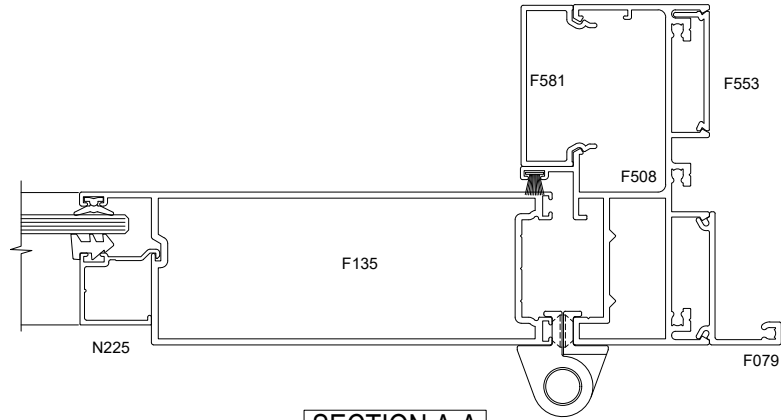
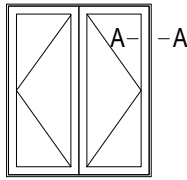
FAIRVIEW SYSTEMS LIMITED SPECIFIERS GUIDE 2014 © TECHNICAL SPECIFICATIONS & PROFILE DETAILS SUBJECT TO CHANGE WITHOUT NOTICE

### ARCHITECTURAL CUBIC 35 COMPLETE SUITE

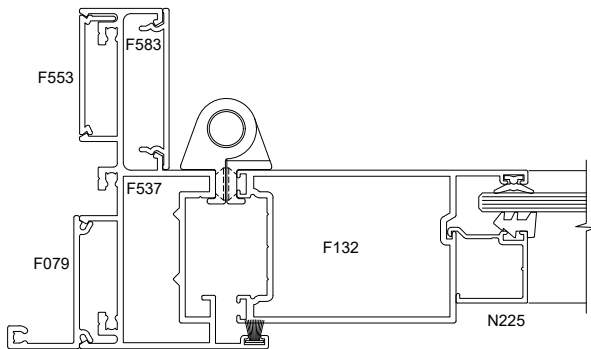
DATE  
12.06.2018

SCALE  
1:2

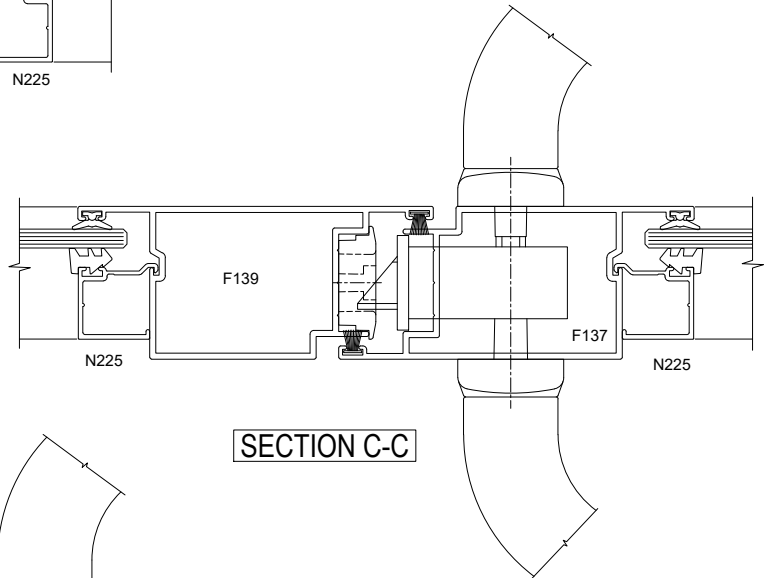
REF. AC35.1031



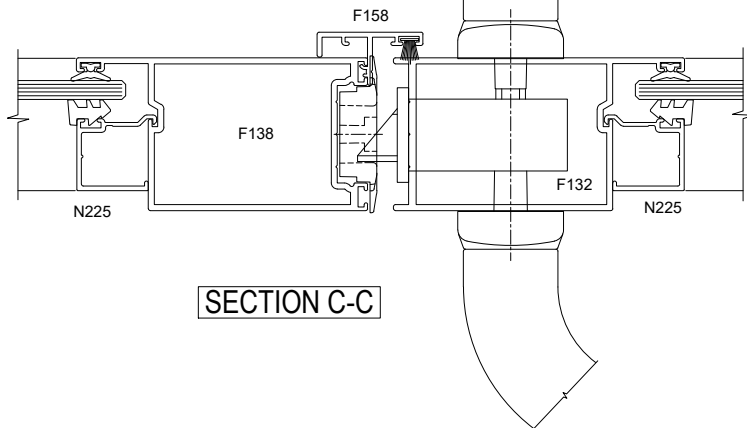
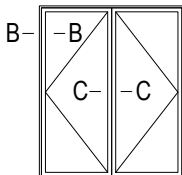
**SECTION A-A**  
WIDE STILE OPTION



**SECTION B-B**  
STANDARD STILE OPTION



**SECTION C-C**



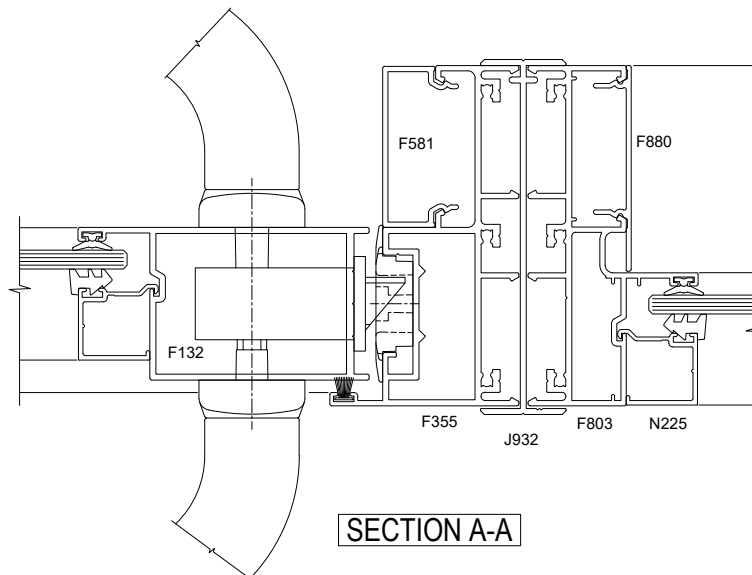
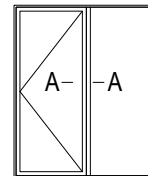
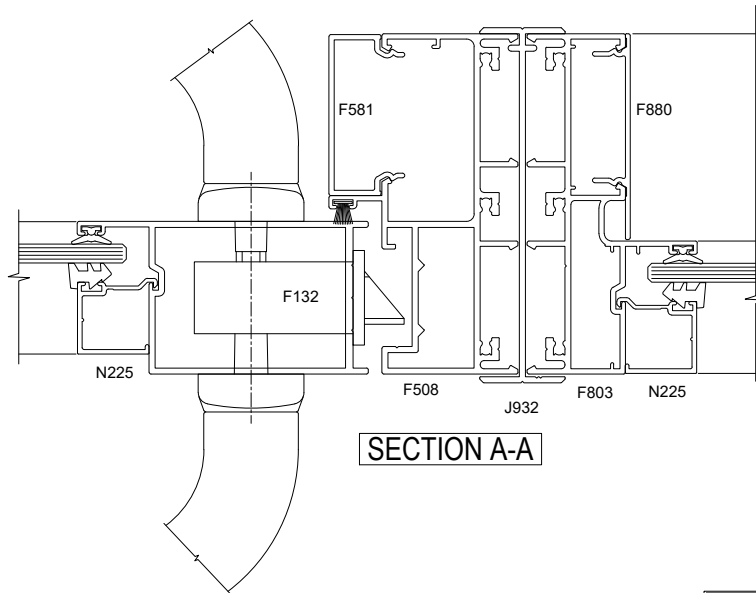
**SECTION C-C**

## HINGED DOOR

FAIRVIEW SYSTEMS LIMITED SPECIFIERS GUIDE 2014 © TECHNICAL SPECIFICATIONS & PROFILE DETAILS SUBJECT TO CHANGE WITHOUT NOTICE

### ARCHITECTURAL CUBIC 35 COMPLETE SUITE

DATE 12.06.2018	SCALE 1:2
REF. AC35.1032	

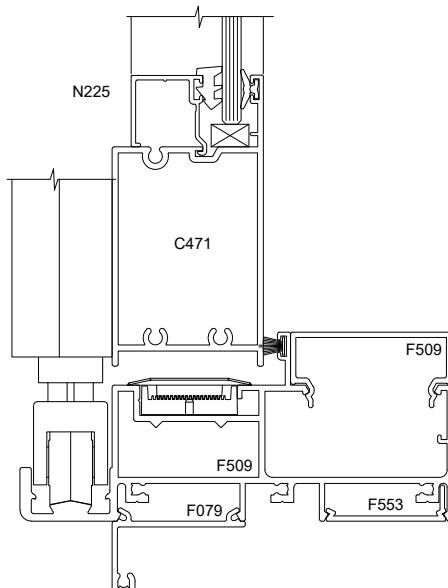
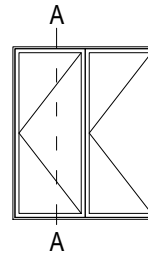
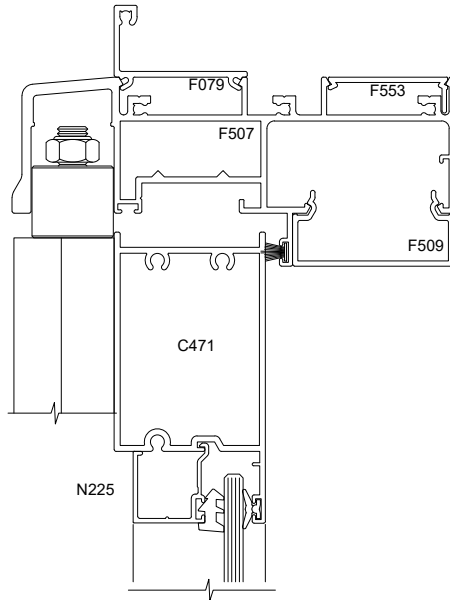


## HINGED DOOR

FAIRVIEW SYSTEMS LIMITED SPECIFIERS GUIDE 2014 © TECHNICAL SPECIFICATIONS & PROFILE DETAILS SUBJECT TO CHANGE WITHOUT NOTICE

**ARCHITECTURAL CUBIC 35 COMPLETE SUITE**

DATE 12.06.2018	SCALE 1:2
REF. AC35.1033	



**SECTION A-A**

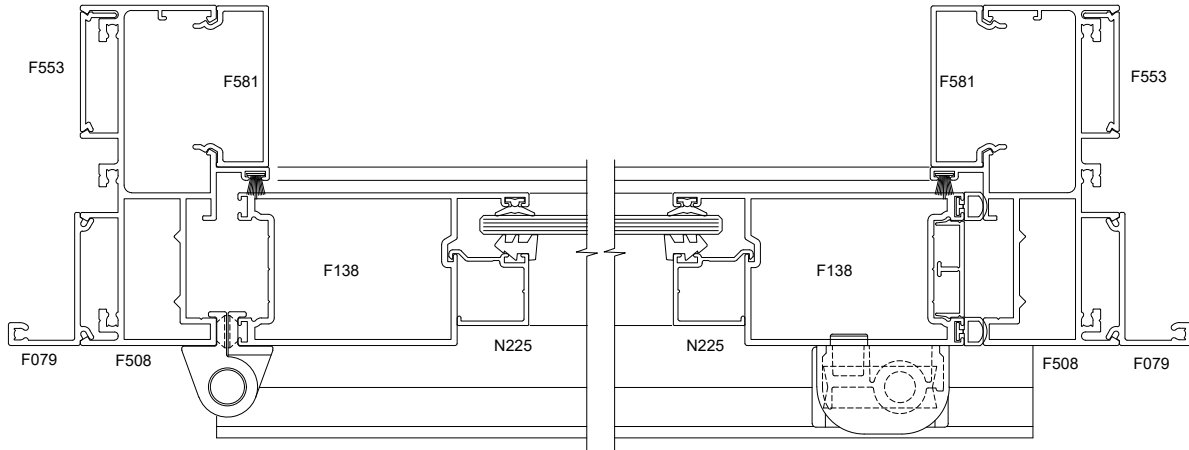
## BOTTOM ROLLING BI-FOLD DOOR

FAIRVIEW SYSTEMS LIMITED SPECIFIERS GUIDE 2014 © TECHNICAL SPECIFICATIONS & PROFILE DETAILS SUBJECT TO CHANGE WITHOUT NOTICE

**ARCHITECTURAL CUBIC 35 COMPLETE SUITE**

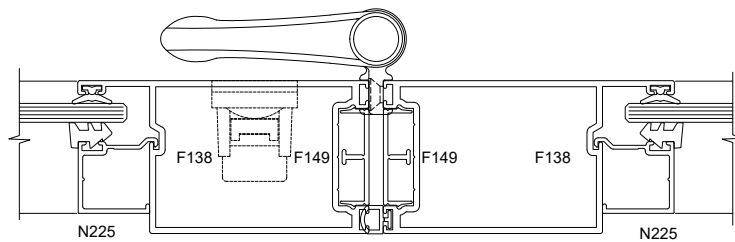
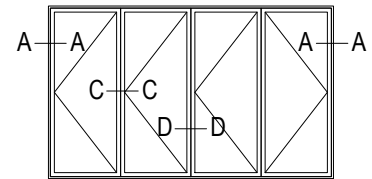
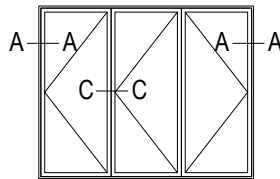
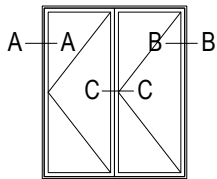
DATE 12.06.2018	SCALE 1:2
REF. AC35.1041	



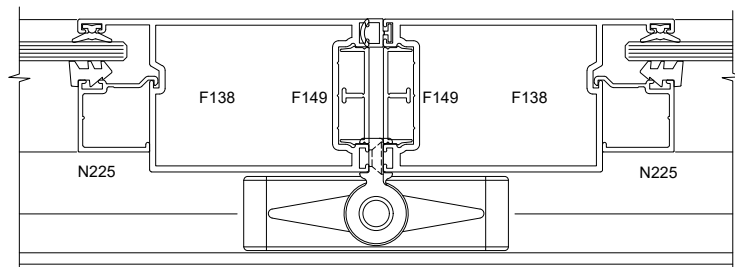


SECTION A-A

SECTION B-B



SECTION C-C



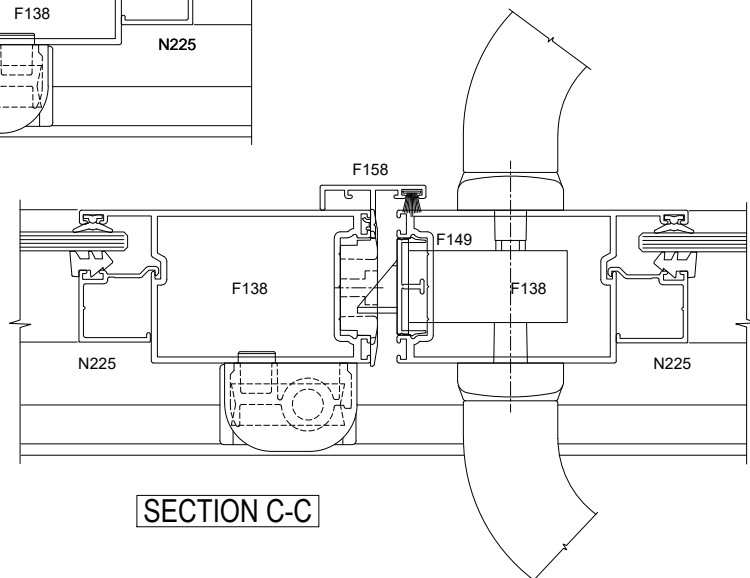
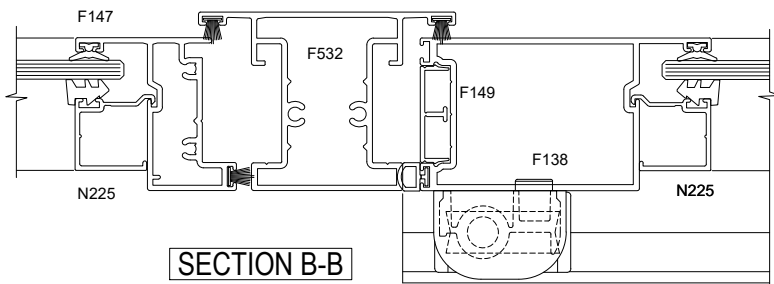
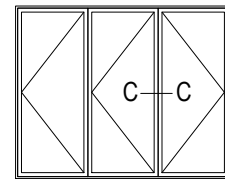
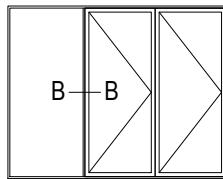
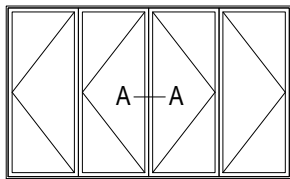
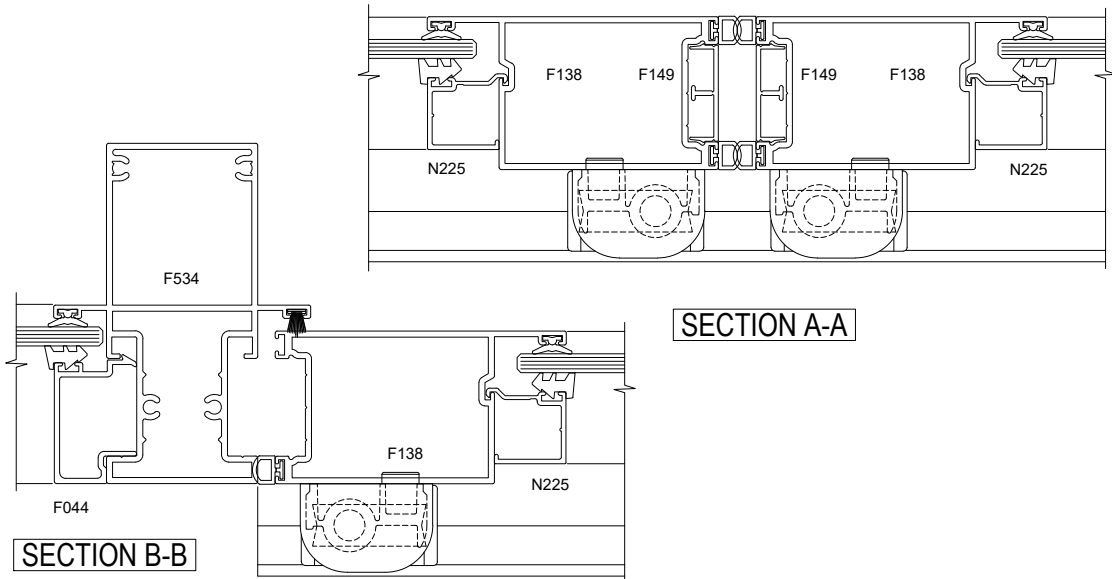
SECTION D-D

## BOTTOM ROLLING BI-FOLD DOOR

FAIRVIEW SYSTEMS LIMITED SPECIFIERS GUIDE 2014 © TECHNICAL SPECIFICATIONS & PROFILE DETAILS SUBJECT TO CHANGE WITHOUT NOTICE

ARCHITECTURAL CUBIC 35 COMPLETE SUITE

DATE 12.06.2018	SCALE 1:2
REF. AC35.1042	

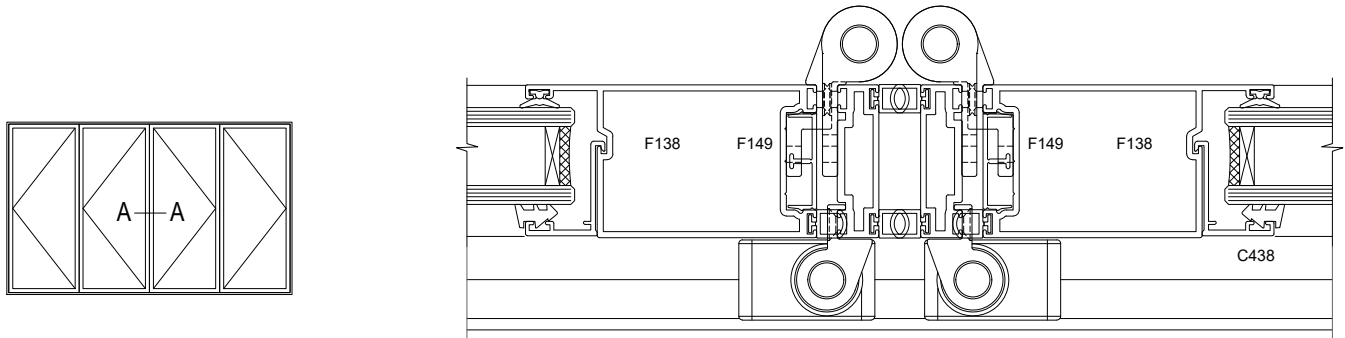


## BOTTOM ROLLING BI-FOLD DOOR

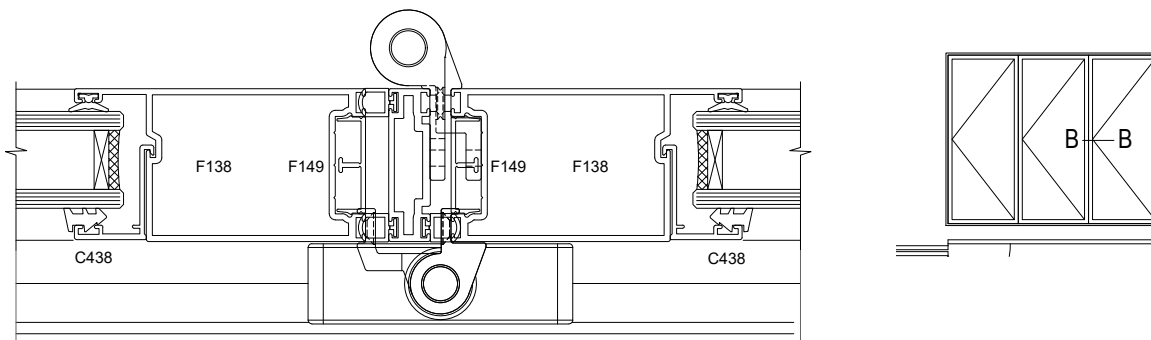
FAIRVIEW SYSTEMS LIMITED SPECIFIERS GUIDE 2014 © TECHNICAL SPECIFICATIONS & PROFILE DETAILS SUBJECT TO CHANGE WITHOUT NOTICE

**ARCHITECTURAL CUBIC 35 COMPLETE SUITE**

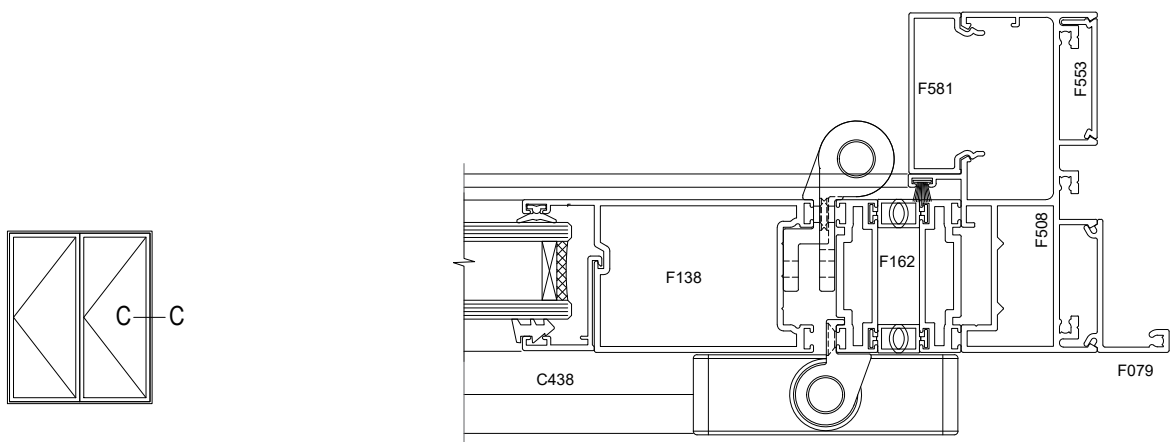
DATE 12.06.2018	SCALE 1:2
REF. AC35.1043	



SECTION A-A



SECTION B-B



SECTION C-C

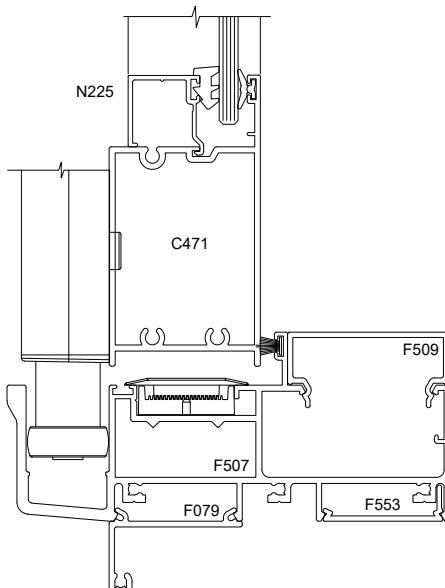
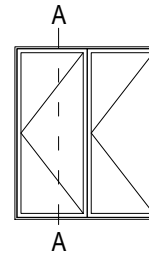
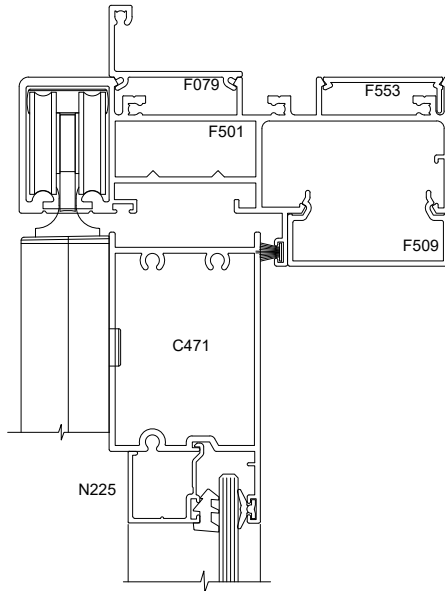
FREEFOLD

## BOTTOM ROLLING BI-FOLD DOOR

FAIRVIEW SYSTEMS LIMITED SPECIFIERS GUIDE 2014 © TECHNICAL SPECIFICATIONS & PROFILE DETAILS SUBJECT TO CHANGE WITHOUT NOTICE

ARCHITECTURAL CUBIC 35 COMPLETE SUITE

DATE 12.06.2018	SCALE 1:2
REF. AC35.1044	



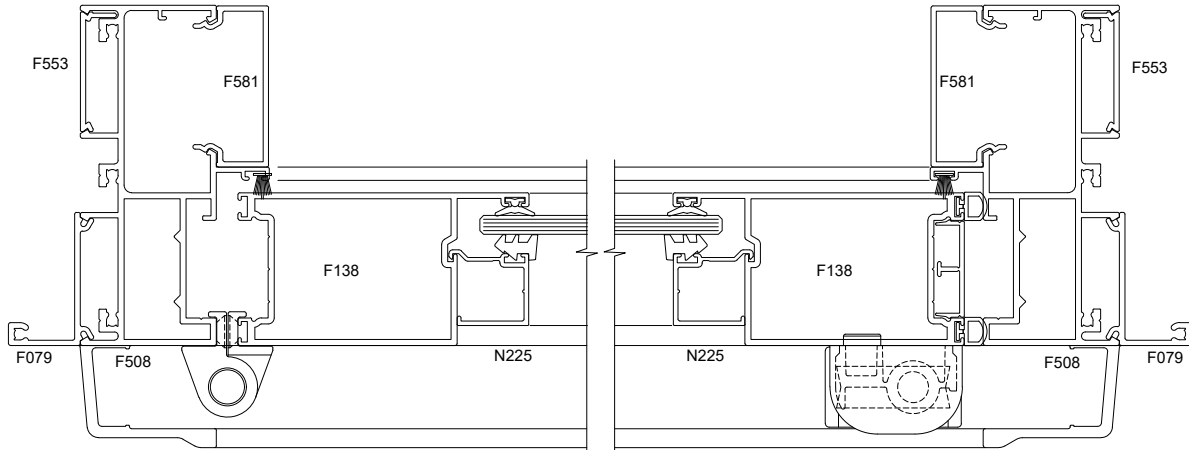
**SECTION A-A**

## TOP HUNG CHANEL GUIDE BI-FOLD DOOR

FAIRVIEW SYSTEMS LIMITED SPECIFIERS GUIDE 2014 © TECHNICAL SPECIFICATIONS & PROFILE DETAILS SUBJECT TO CHANGE WITHOUT NOTICE

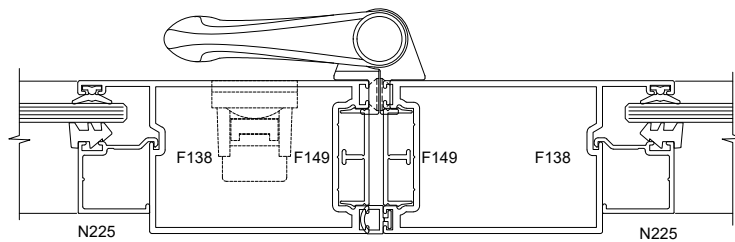
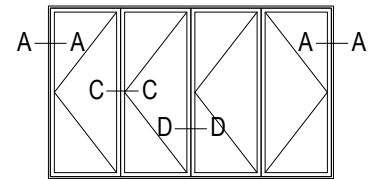
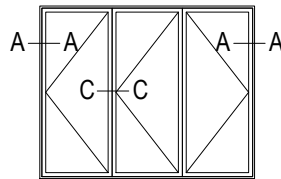
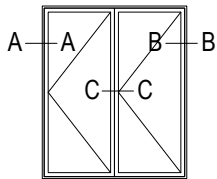
**ARCHITECTURAL CUBIC 35 COMPLETE SUITE**

DATE 12.06.2018	SCALE 1:2
REF. AC35.1051	

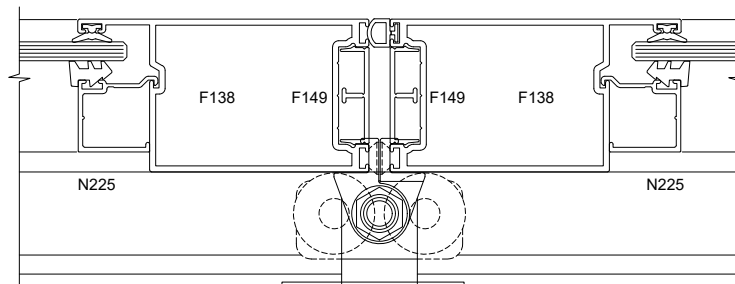


SECTION A-A

SECTION B-B



SECTION C-C



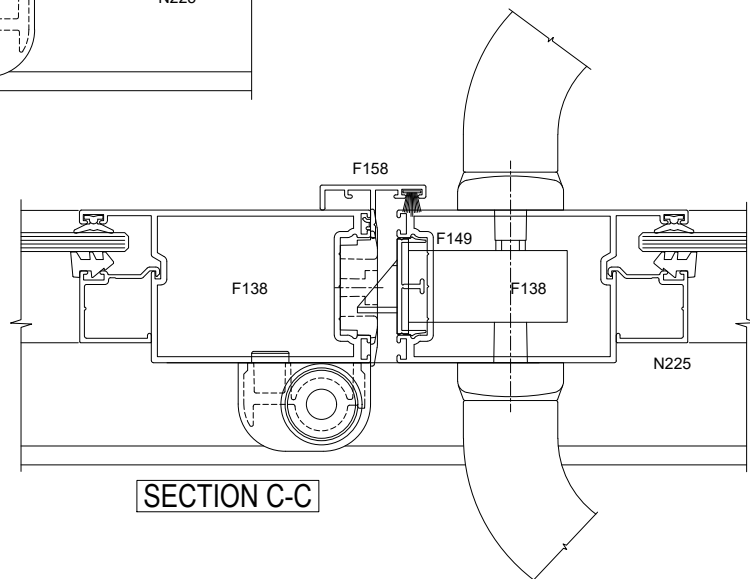
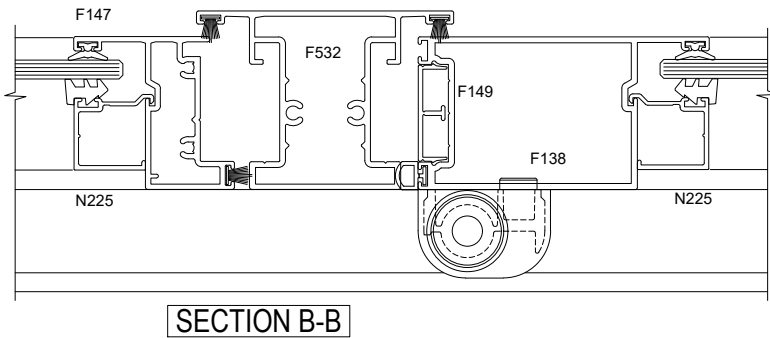
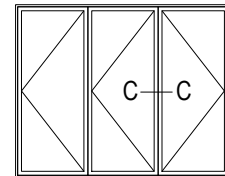
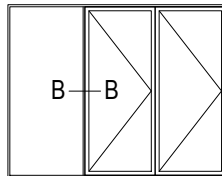
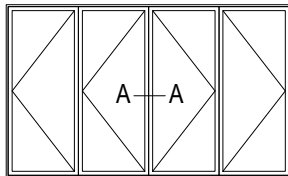
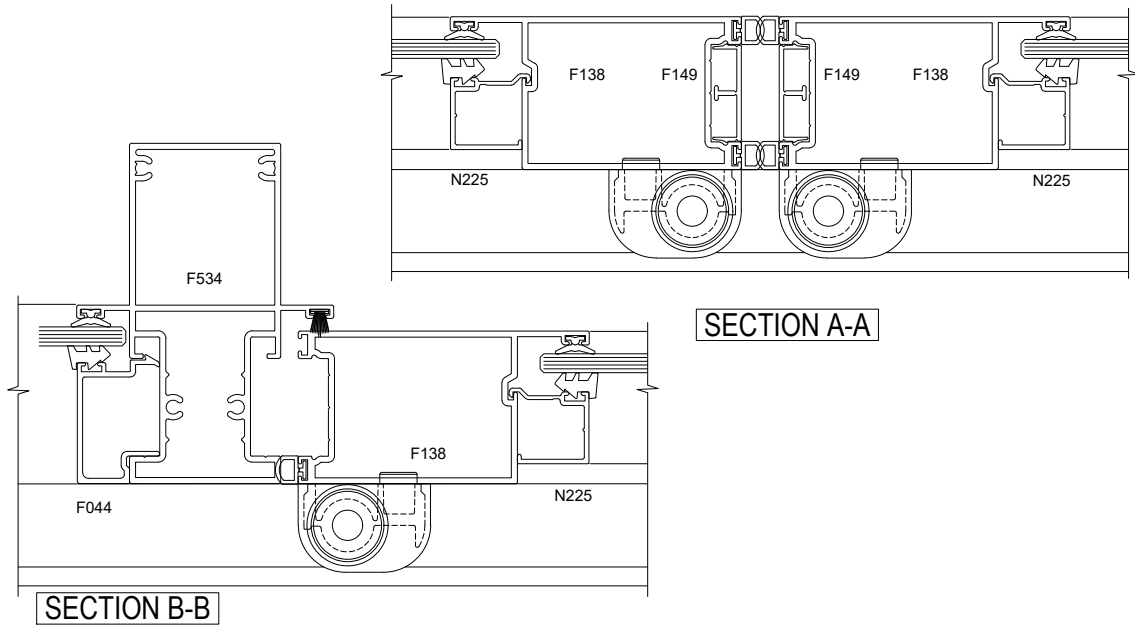
SECTION D-D

## TOP HUNG CHANEL GUIDE BI-FOLD DOOR

FAIRVIEW SYSTEMS LIMITED SPECIFIERS GUIDE 2014 © TECHNICAL SPECIFICATIONS & PROFILE DETAILS SUBJECT TO CHANGE WITHOUT NOTICE

ARCHITECTURAL CUBIC 35 COMPLETE SUITE

DATE 12.06.2018	SCALE 1:2
REF. AC35.1052	



## TOP HUNG CHANEL GUIDE BI-FOLD DOOR

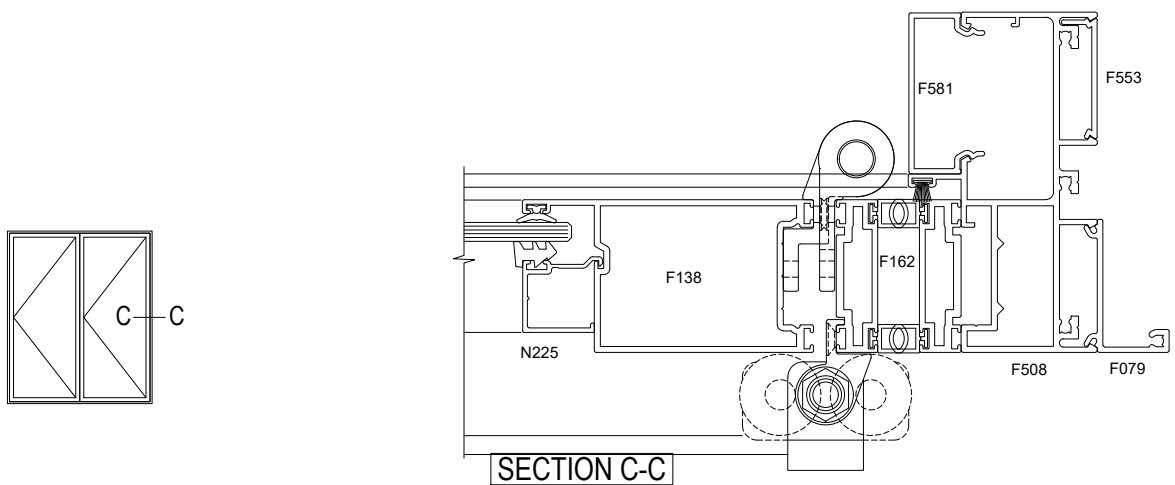
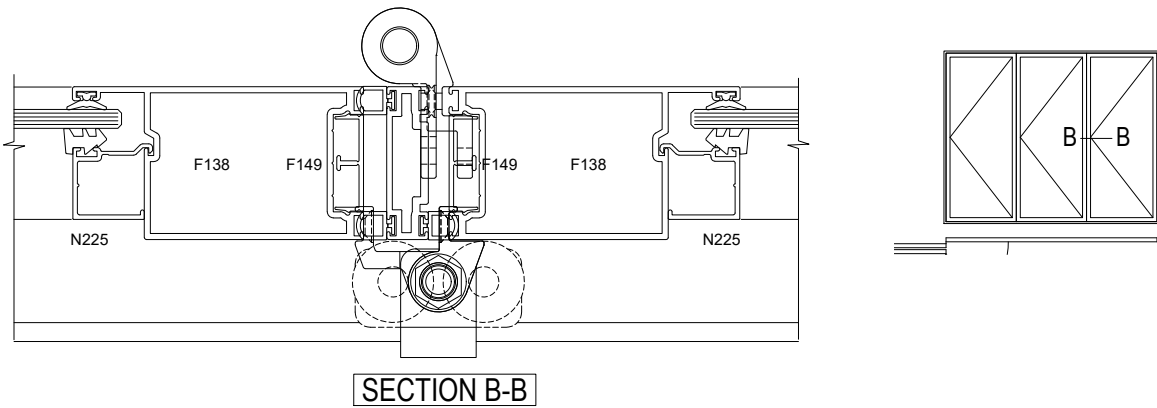
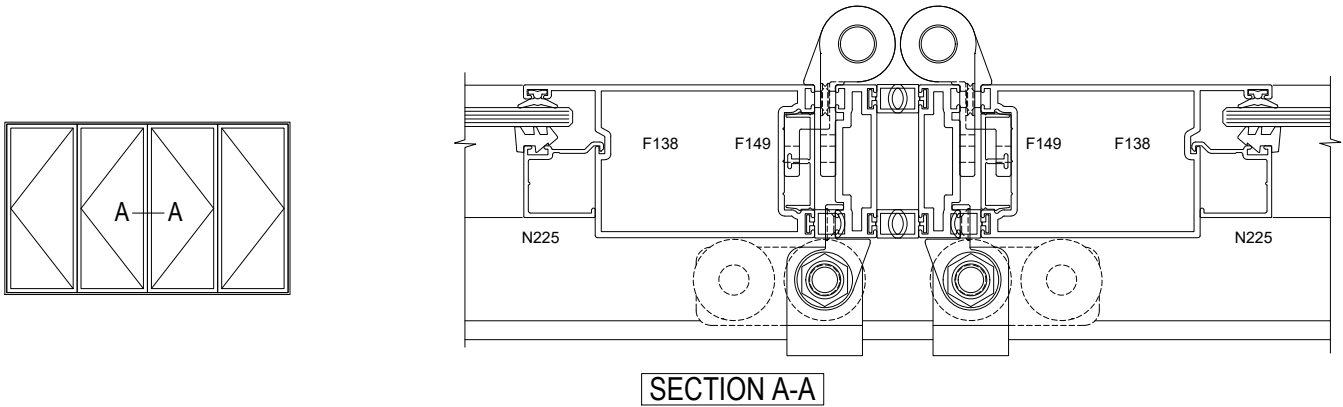
FAIRVIEW SYSTEMS LIMITED SPECIFIERS GUIDE 2014 © TECHNICAL SPECIFICATIONS & PROFILE DETAILS SUBJECT TO CHANGE WITHOUT NOTICE

**ARCHITECTURAL CUBIC 35 COMPLETE SUITE**

DATE  
12.06.2018

SCALE  
1:2

REF. AC35.1053



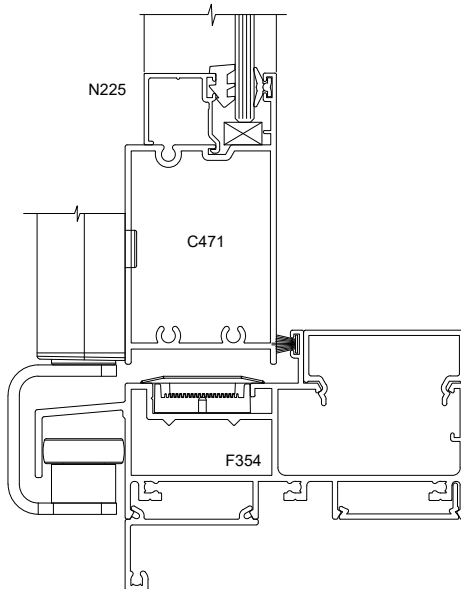
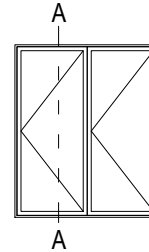
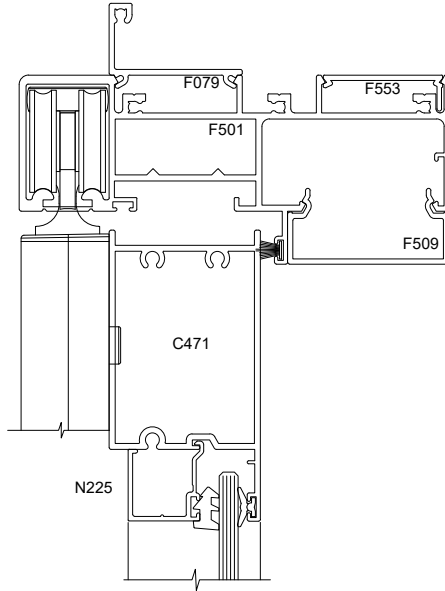
FREEFOLD

## TOP HUNG CHANEL GUIDE BI-FOLD DOOR

FAIRVIEW SYSTEMS LIMITED SPECIFIERS GUIDE 2014 © TECHNICAL SPECIFICATIONS & PROFILE DETAILS SUBJECT TO CHANGE WITHOUT NOTICE

ARCHITECTURAL CUBIC 35 COMPLETE SUITE

DATE 12.06.2018	SCALE 1:2
REF. AC35.1054	



SECTION A-A

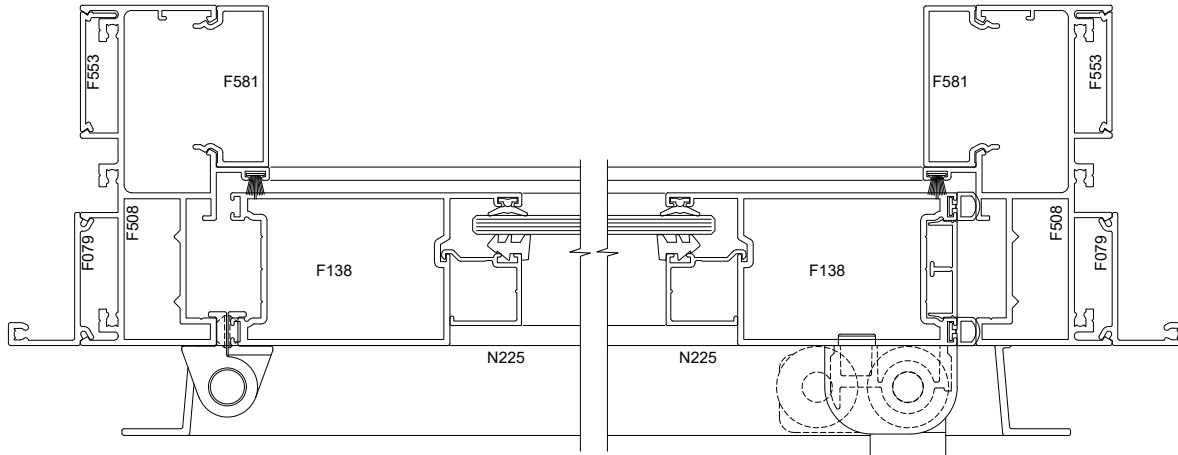
## TOP HUNG HOODED GUIDE BI-FOLD DOOR

FAIRVIEW SYSTEMS LIMITED SPECIFIERS GUIDE 2014 © TECHNICAL SPECIFICATIONS & PROFILE DETAILS SUBJECT TO CHANGE WITHOUT NOTICE

ARCHITECTURAL CUBIC 35 COMPLETE SUITE

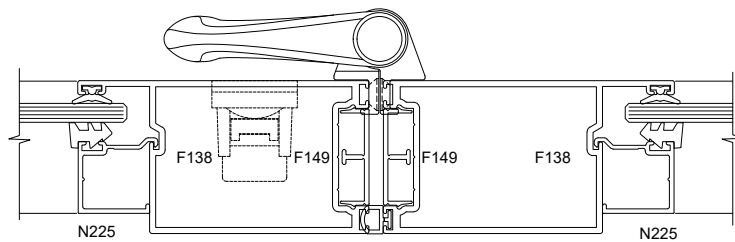
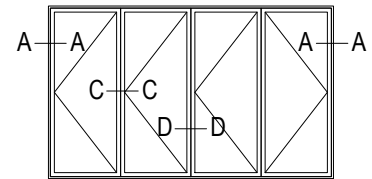
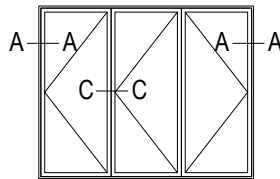
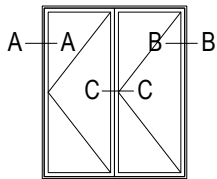
DATE 12.06.2018	SCALE 1:2
REF. AC35.1061	



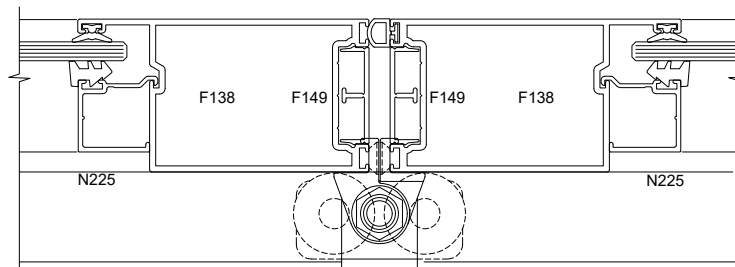


SECTION A-A

SECTION B-B



SECTION C-C



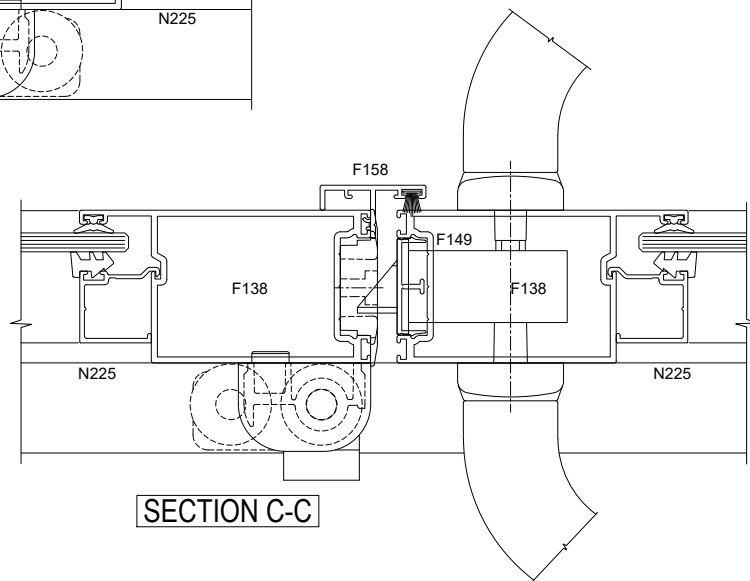
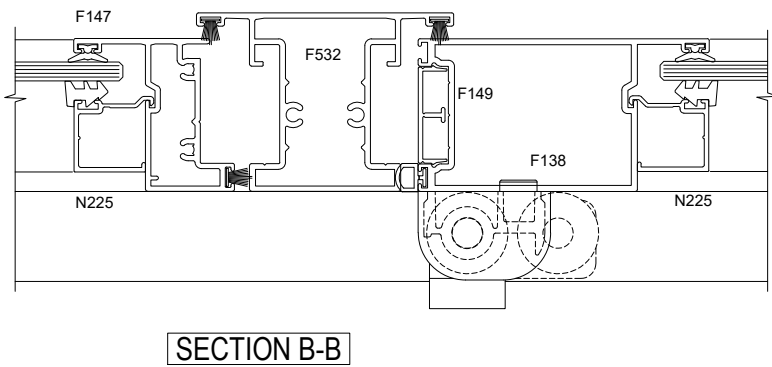
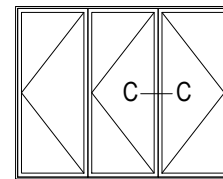
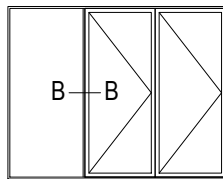
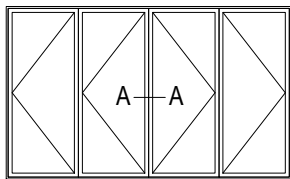
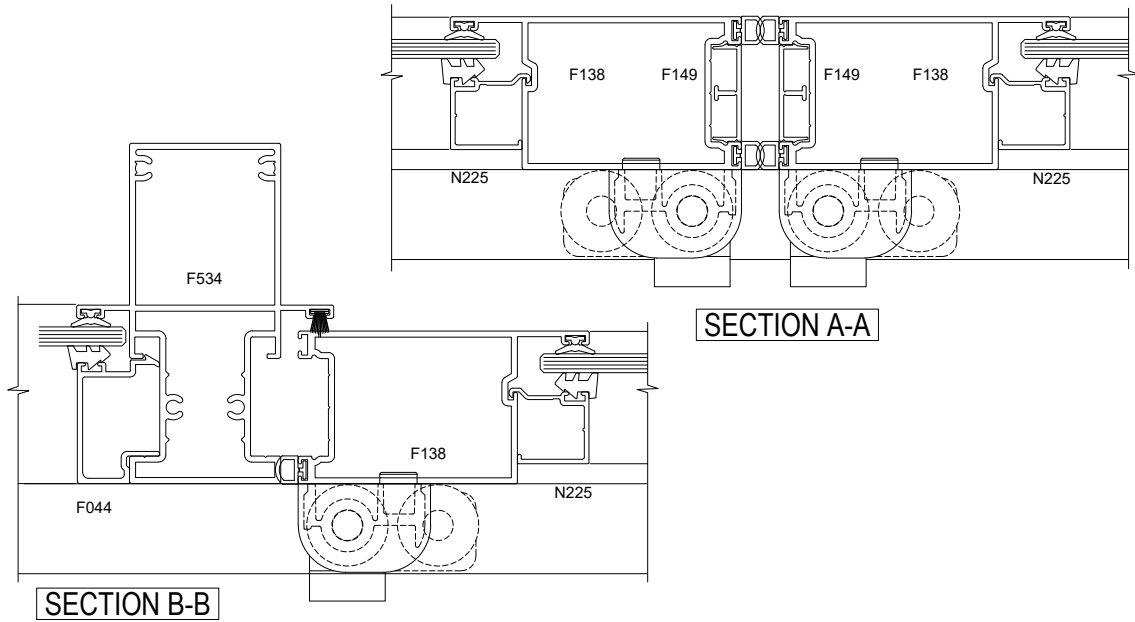
SECTION D-D

## TOP HUNG HOODED GUIDE BI-FOLD DOOR

FAIRVIEW SYSTEMS LIMITED SPECIFIERS GUIDE 2014 © TECHNICAL SPECIFICATIONS & PROFILE DETAILS SUBJECT TO CHANGE WITHOUT NOTICE

ARCHITECTURAL CUBIC 35 COMPLETE SUITE

DATE 12.06.2018	SCALE 1:2
REF. AC35.1062	

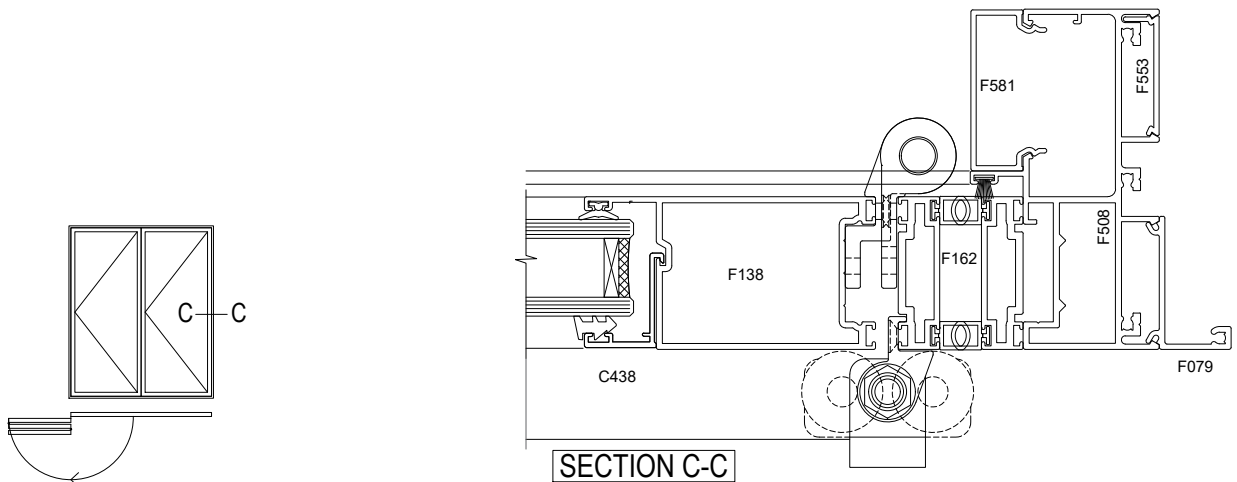
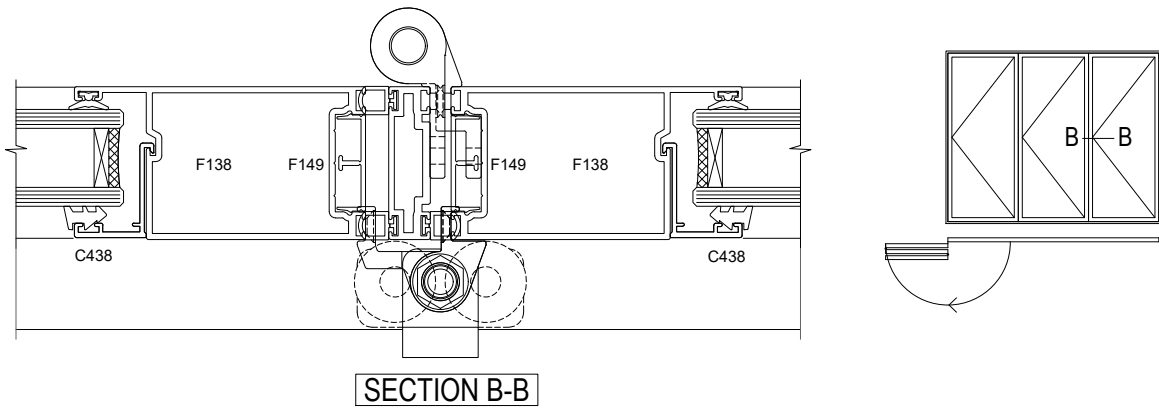
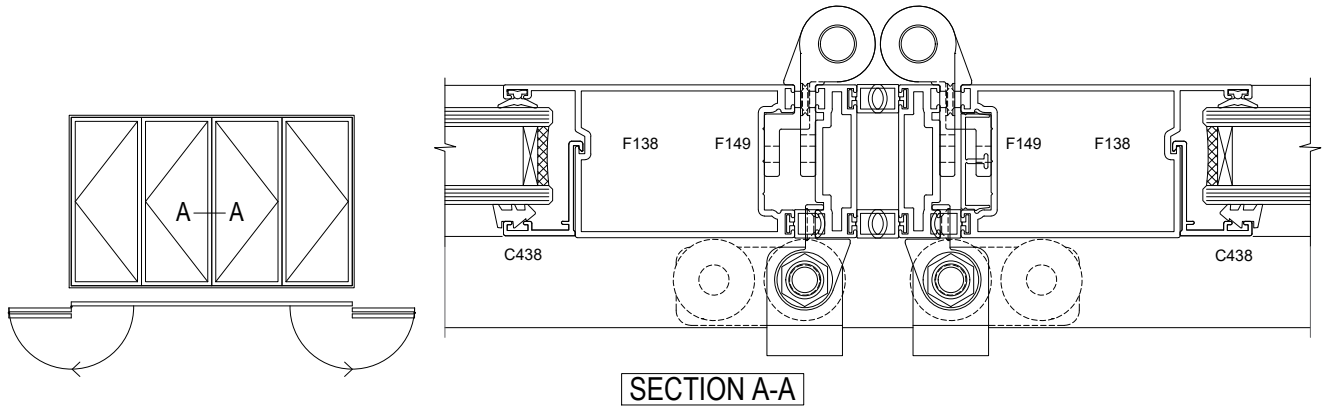


## TOP HUNG HOODED GUIDE BI-FOLD DOOR

FAIRVIEW SYSTEMS LIMITED SPECIFIERS GUIDE 2014 © TECHNICAL SPECIFICATIONS & PROFILE DETAILS SUBJECT TO CHANGE WITHOUT NOTICE

**ARCHITECTURAL CUBIC 35 COMPLETE SUITE**

DATE 12.06.2018	SCALE 1:2
REF. AC35.1063	



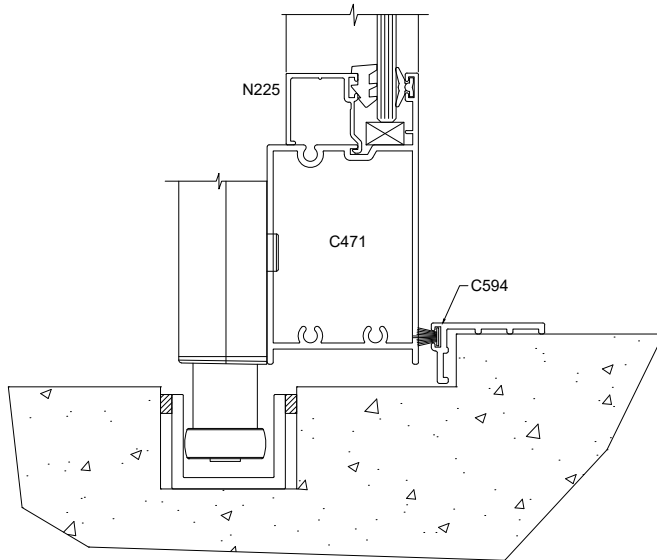
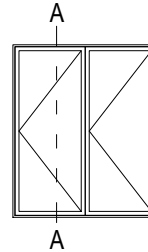
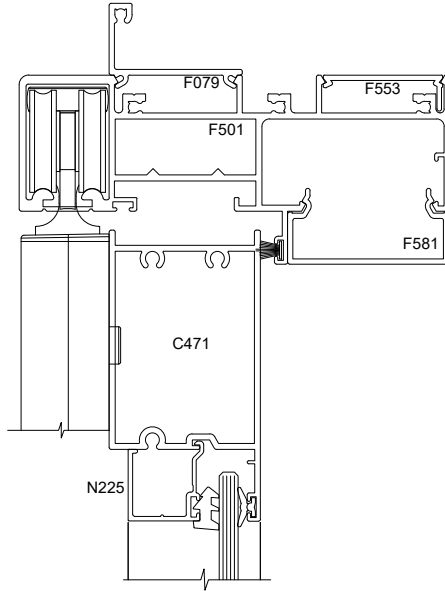
FREEFOLD

## TOP HUNG HOODED GUIDE BI-FOLD DOOR

FAIRVIEW SYSTEMS LIMITED SPECIFIERS GUIDE 2014 © TECHNICAL SPECIFICATIONS & PROFILE DETAILS SUBJECT TO CHANGE WITHOUT NOTICE

**ARCHITECTURAL CUBIC 35 COMPLETE SUITE**

DATE 12.06.2018	SCALE 1:2
REF. AC35.1064	



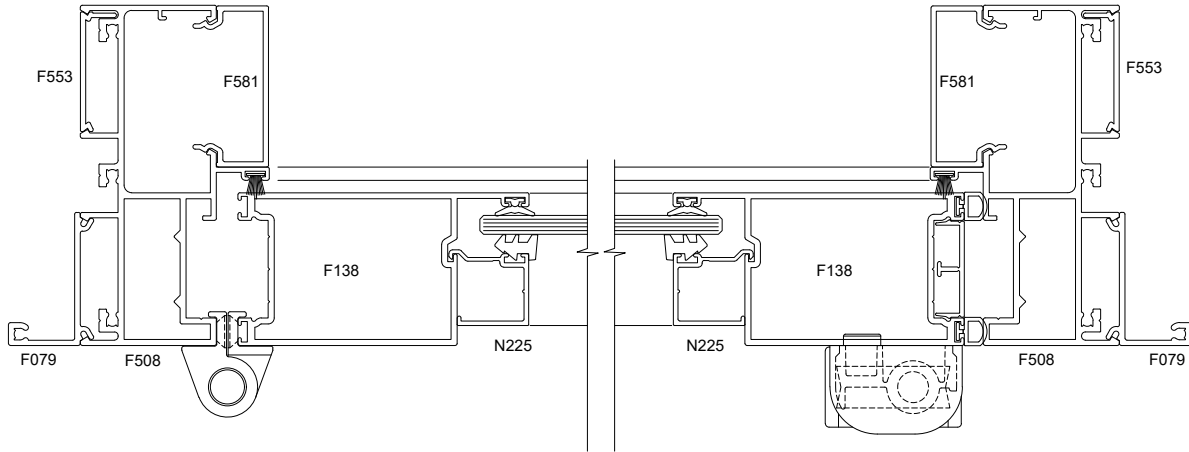
**SECTION A-A**

## TOP HUNG NON-WEATHERED GUIDE BI-FOLD DOOR

FAIRVIEW SYSTEMS LIMITED SPECIFIERS GUIDE 2014 © TECHNICAL SPECIFICATIONS & PROFILE DETAILS SUBJECT TO CHANGE WITHOUT NOTICE

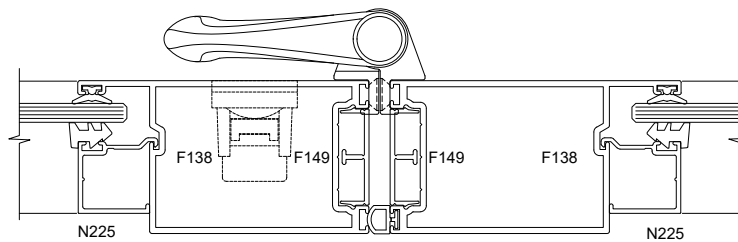
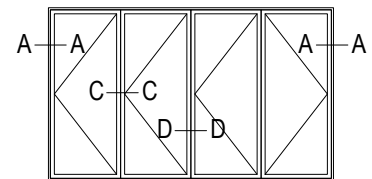
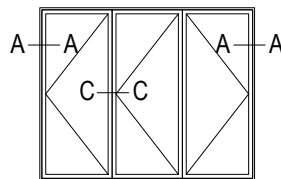
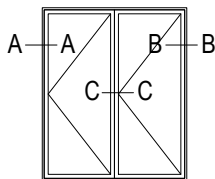
**ARCHITECTURAL CUBIC 35 COMPLETE SUITE**

DATE 12.06.2018	SCALE 1:2
REF. AC35.1071	

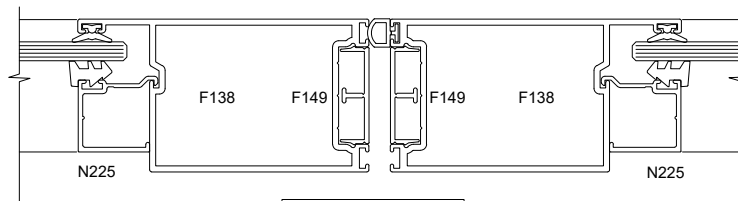


SECTION A-A

SECTION B-B



SECTION C-C



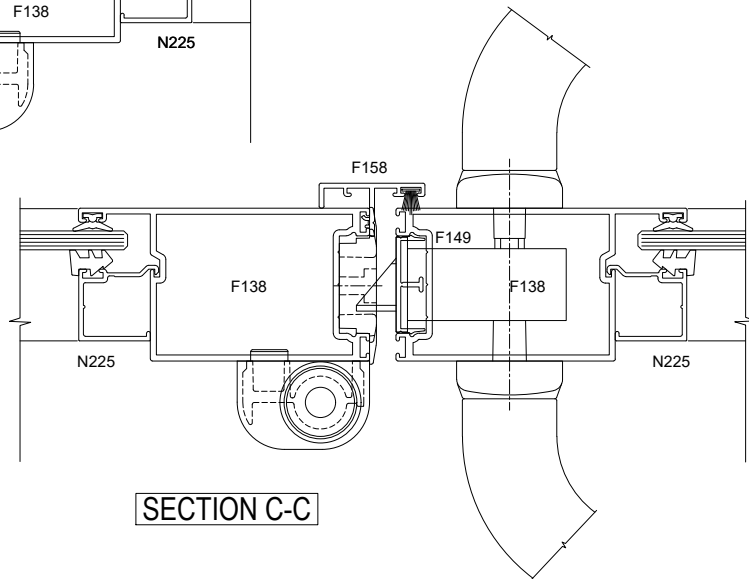
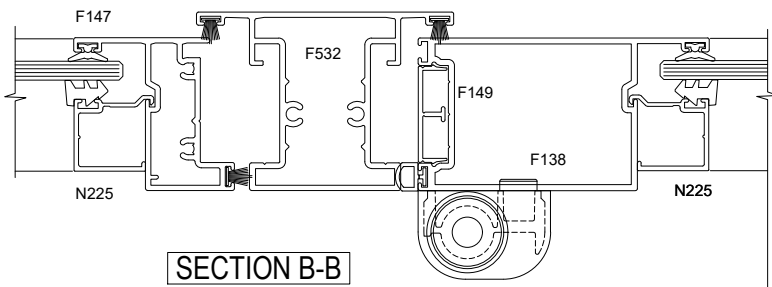
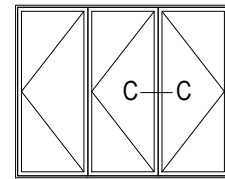
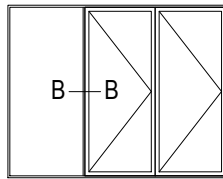
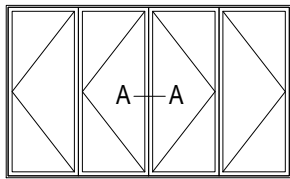
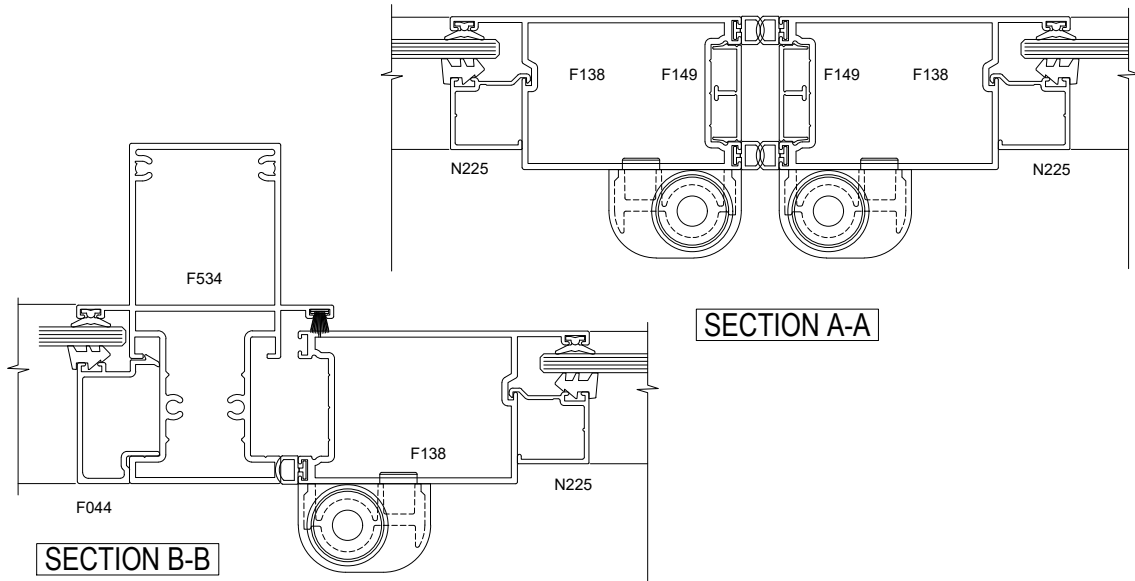
SECTION D-D

## TOP HUNG NON-WEATHERED GUIDE BI-FOLD DOOR

FAIRVIEW SYSTEMS LIMITED SPECIFIERS GUIDE 2014 © TECHNICAL SPECIFICATIONS & PROFILE DETAILS SUBJECT TO CHANGE WITHOUT NOTICE

ARCHITECTURAL CUBIC 35 COMPLETE SUITE

DATE 12.06.2018	SCALE 1:2
REF. AC35.1072	

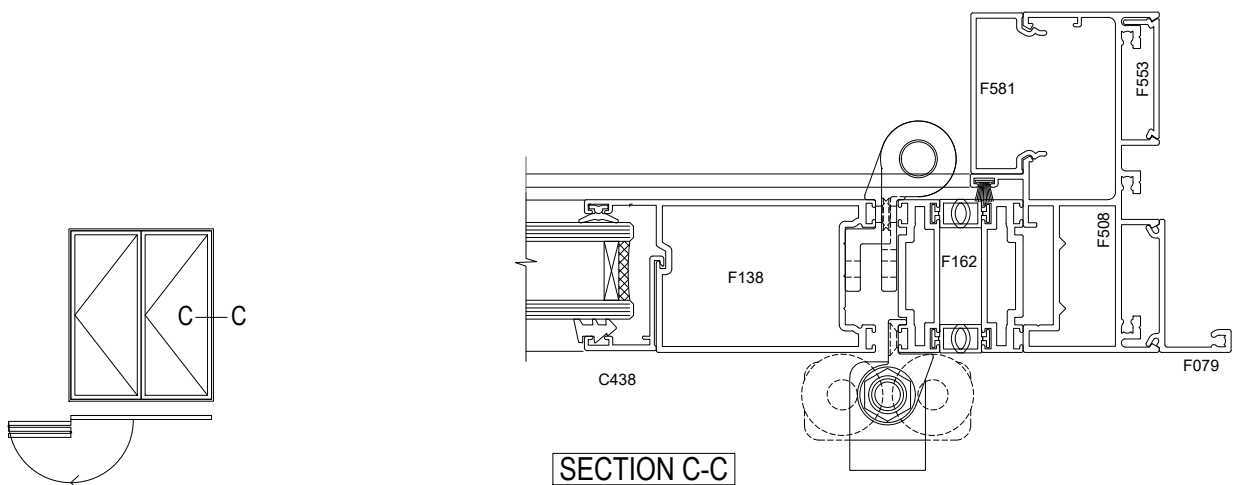
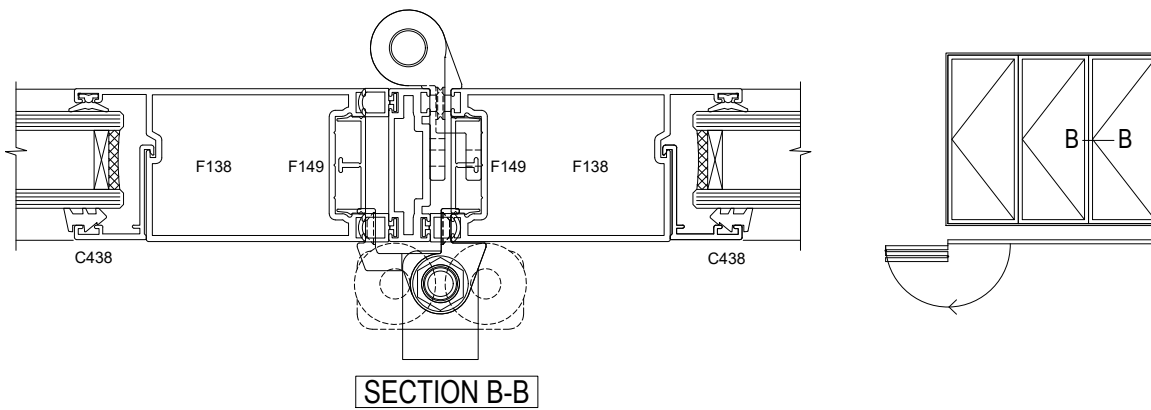
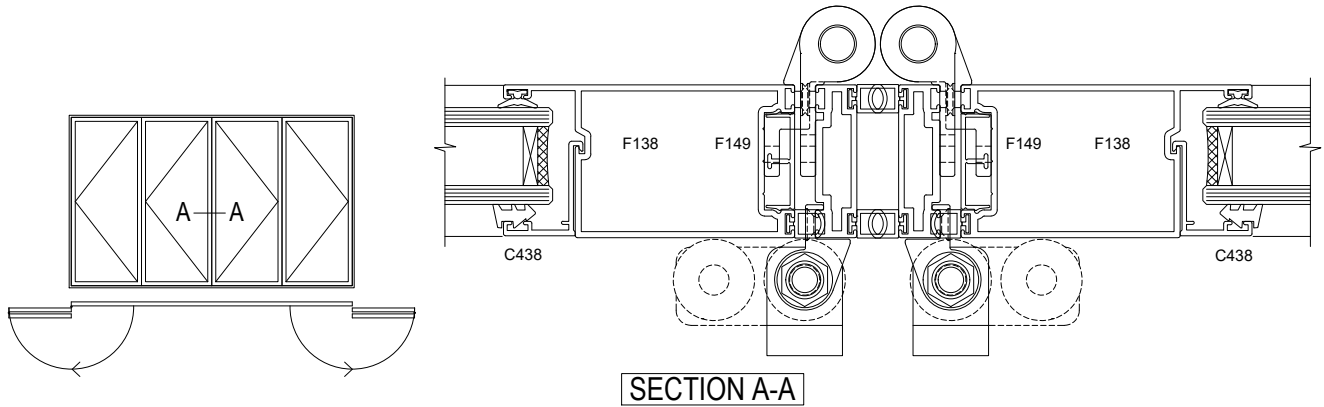


## TOP HUNG NON-WEATHERED GUIDE BI-FOLD DOOR

FAIRVIEW SYSTEMS LIMITED SPECIFIERS GUIDE 2014 © TECHNICAL SPECIFICATIONS & PROFILE DETAILS SUBJECT TO CHANGE WITHOUT NOTICE

**ARCHITECTURAL CUBIC 35 COMPLETE SUITE**

DATE 12.06.2018	SCALE 1:2
REF. AC35.1073	



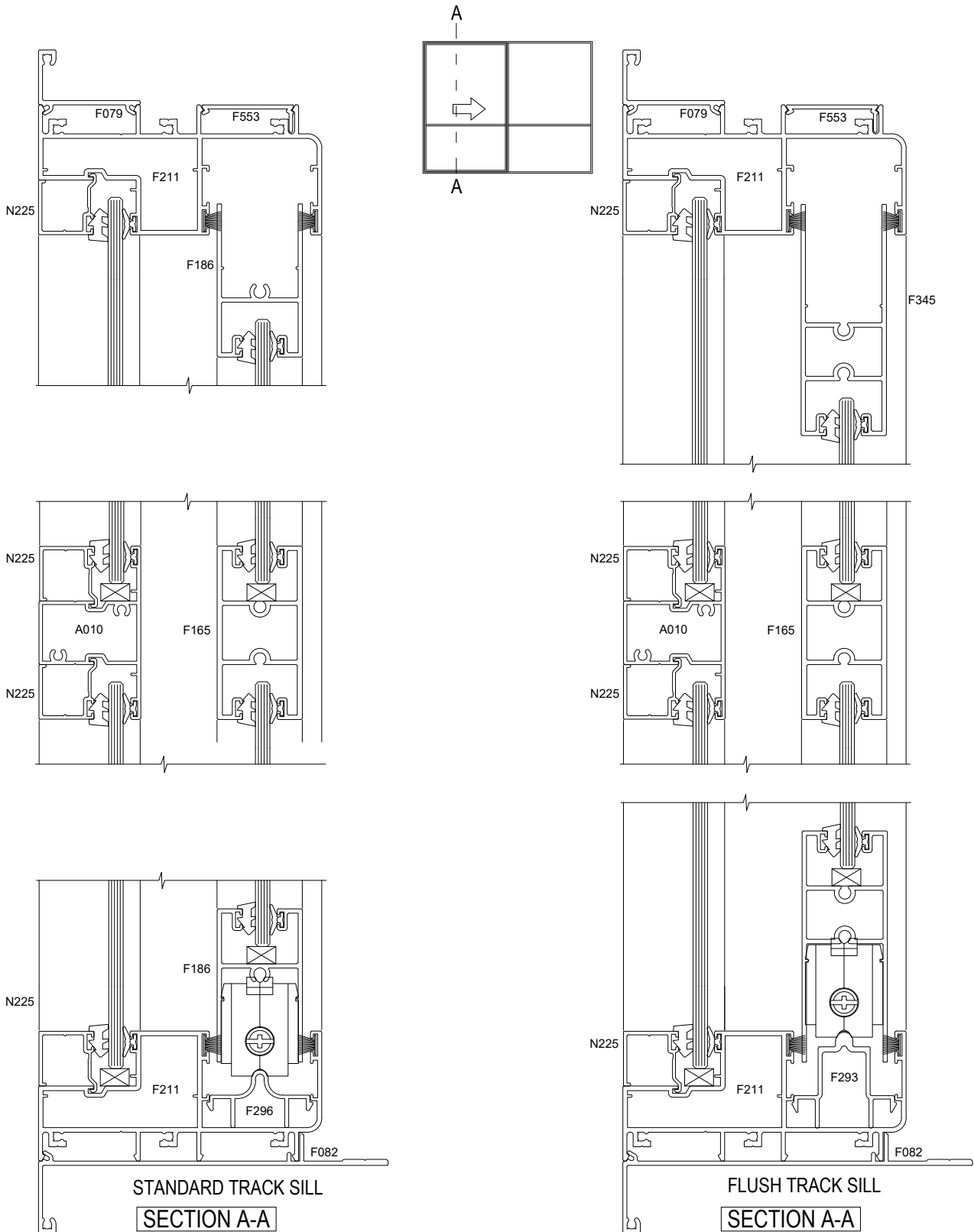
FREEFOLD

## TOP HUNG NON-WEATHERED GUIDE BI-FOLD DOOR

FAIRVIEW SYSTEMS LIMITED SPECIFIERS GUIDE 2014 © TECHNICAL SPECIFICATIONS & PROFILE DETAILS SUBJECT TO CHANGE WITHOUT NOTICE

ARCHITECTURAL CUBIC 35 COMPLETE SUITE

DATE 12.06.2018	SCALE 1:2
REF. AC35.1074	



## SLIDING DOOR

FAIRVIEW SYSTEMS LIMITED SPECIFIERS GUIDE 2014 © TECHNICAL SPECIFICATIONS & PROFILE DETAILS SUBJECT TO CHANGE WITHOUT NOTICE

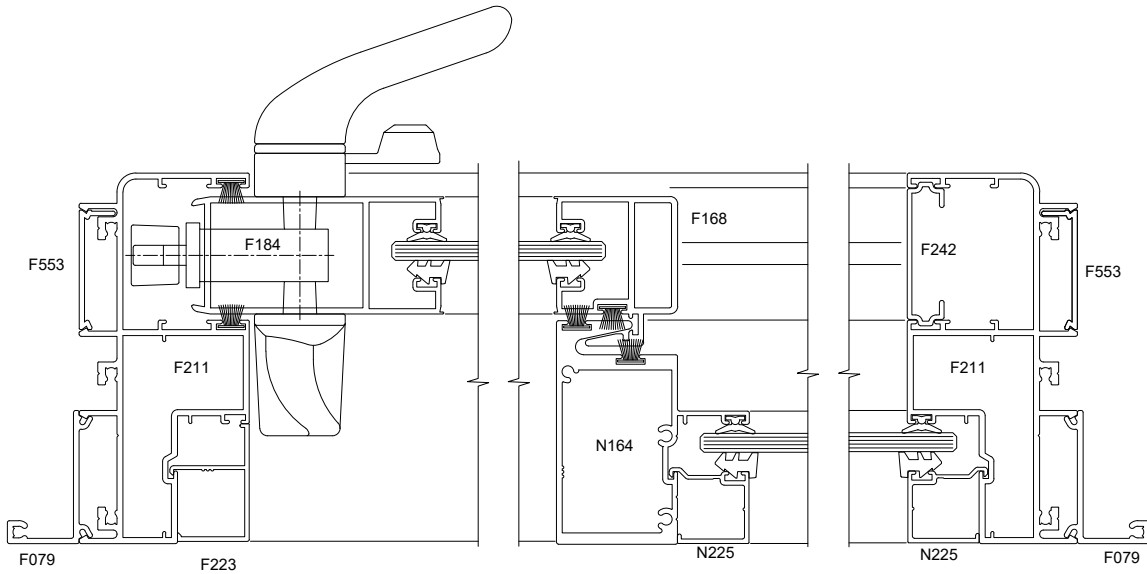
**ARCHITECTURAL CUBIC 35 COMPLETE SUITE**

DATE  
12.06.2018

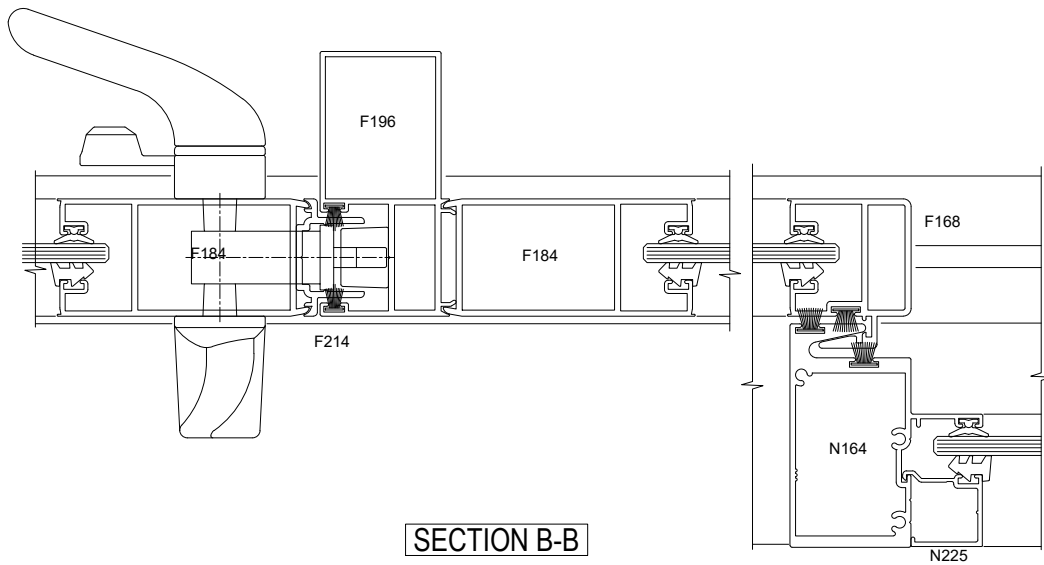
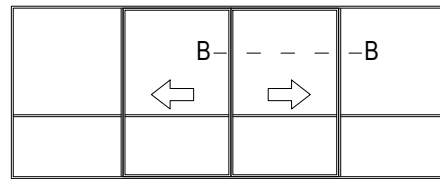
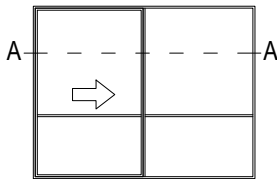
SCALE  
1:2

REF. AC35.1081





SECTION A-A



SECTION B-B

## SLIDING DOOR

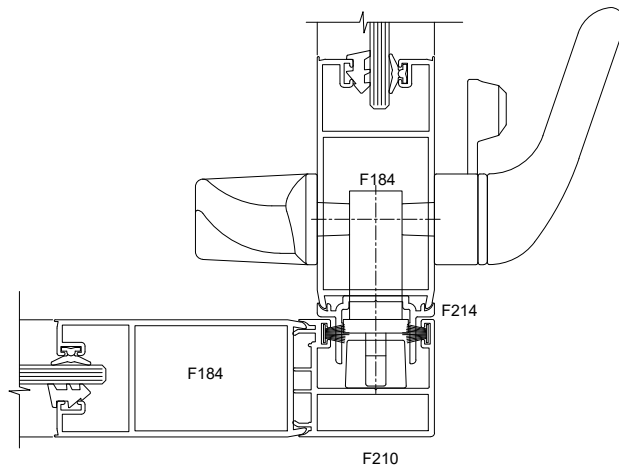
FAIRVIEW SYSTEMS LIMITED SPECIFIERS GUIDE 2014 © TECHNICAL SPECIFICATIONS & PROFILE DETAILS SUBJECT TO CHANGE WITHOUT NOTICE

ARCHITECTURAL CUBIC 35 COMPLETE SUITE

DATE  
12.06.2018

SCALE  
1:2

REF. AC35.1082



SECTION A-A

## SLIDING DOOR

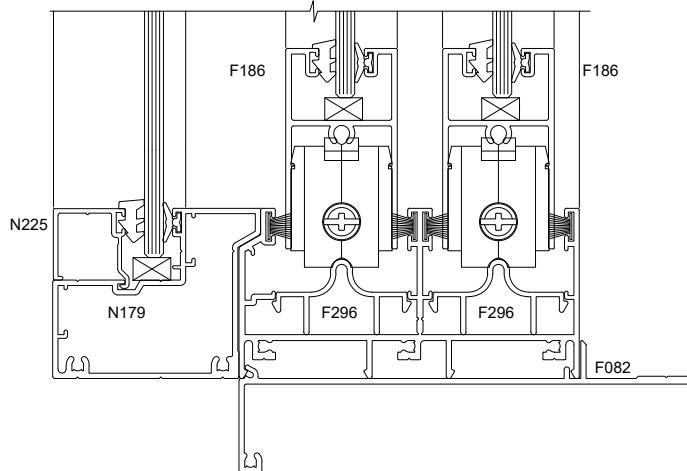
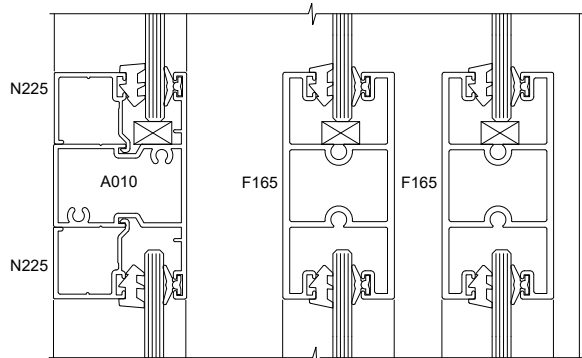
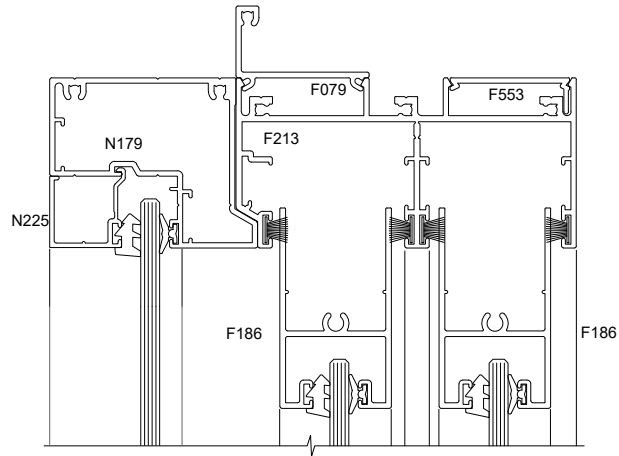
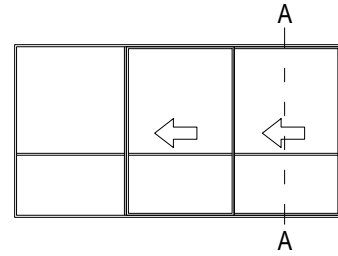
FAIRVIEW SYSTEMS LIMITED SPECIFIERS GUIDE 2014 © TECHNICAL SPECIFICATIONS & PROFILE DETAILS SUBJECT TO CHANGE WITHOUT NOTICE

ARCHITECTURAL CUBIC 35 COMPLETE SUITE

DATE  
12.06.2018

SCALE  
1:2

REF. AC35.1083



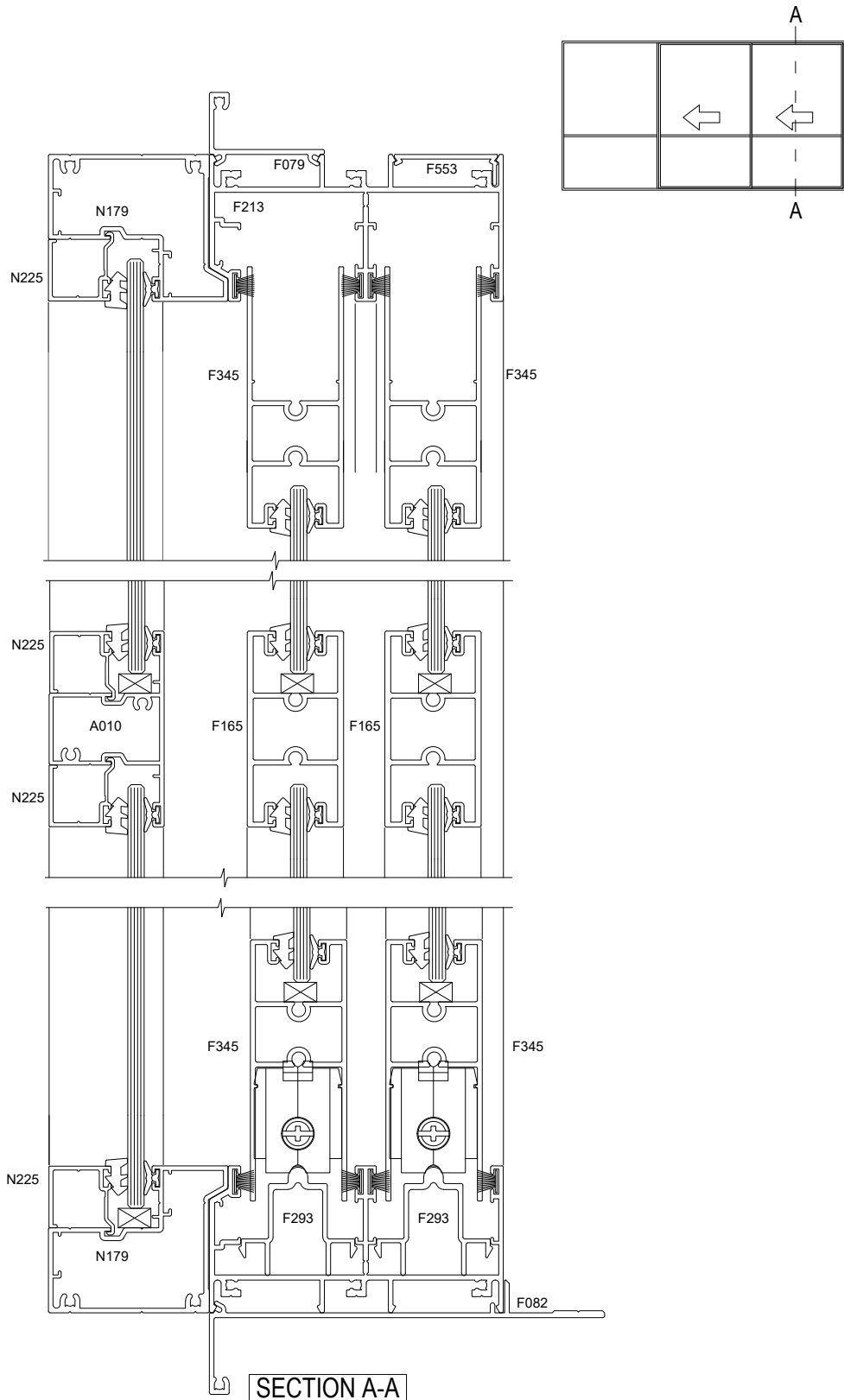
**SECTION A-A**

**STANDARD TRACK SILL  
STACKING DOOR**

FAIRVIEW SYSTEMS LIMITED SPECIFIERS GUIDE 2014 © TECHNICAL SPECIFICATIONS & PROFILE DETAILS SUBJECT TO CHANGE WITHOUT NOTICE

**ARCHITECTURAL CUBIC 35 COMPLETE SUITE**

DATE 12.06.2018	SCALE 1:2
REF. AC35.1091	

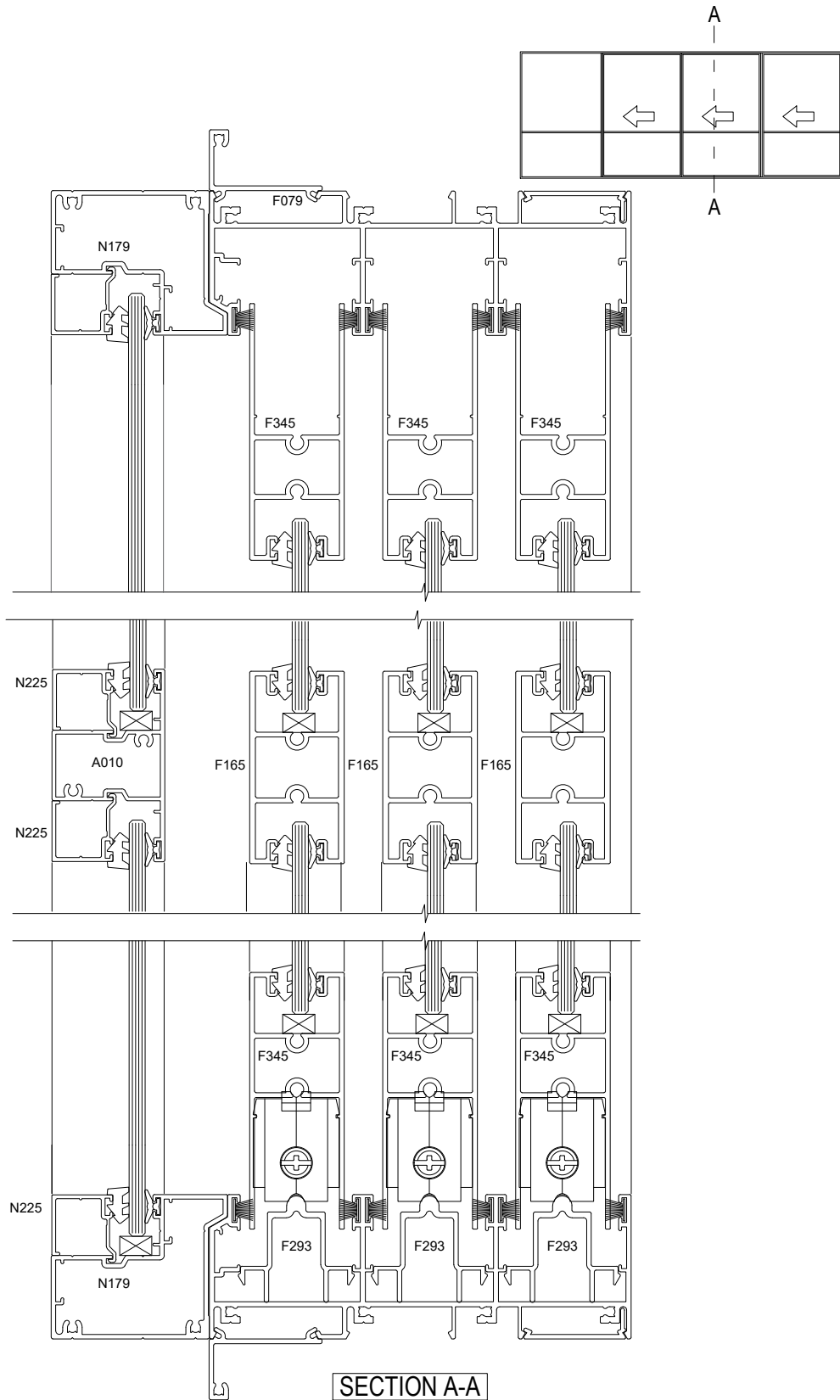


**SECTION A-A**  
**FLUSH TRACK SILL**  
**STACKING DOOR**

FAIRVIEW SYSTEMS LIMITED SPECIFIERS GUIDE 2014 © TECHNICAL SPECIFICATIONS & PROFILE DETAILS SUBJECT TO CHANGE WITHOUT NOTICE

## ARCHITECTURAL CUBIC 35 COMPLETE SUITE

DATE 12.06.2018	SCALE 1:2
REF. AC35.1092	

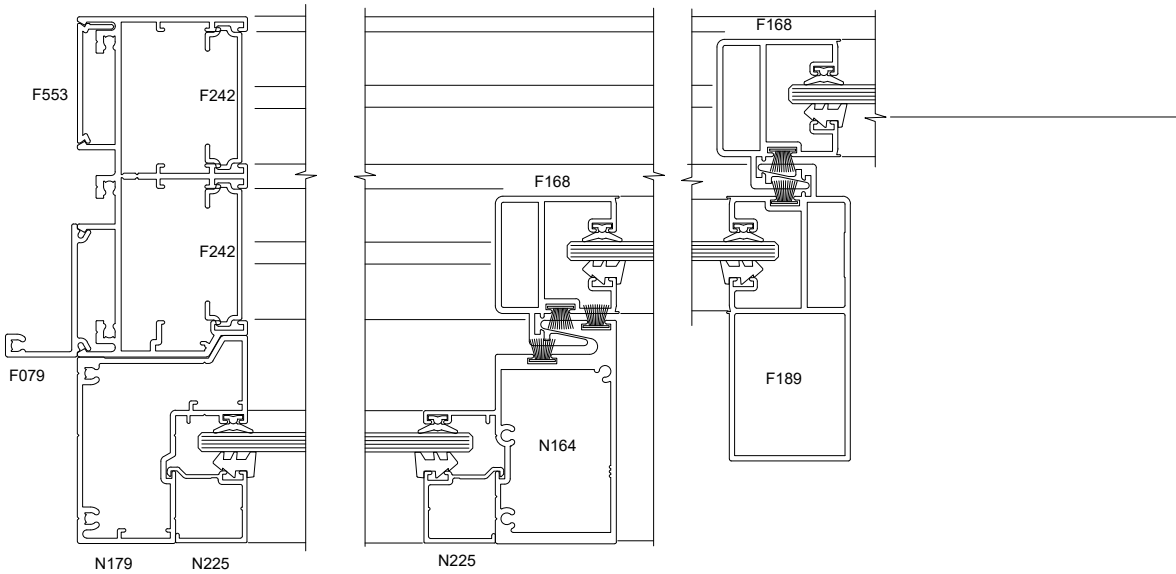
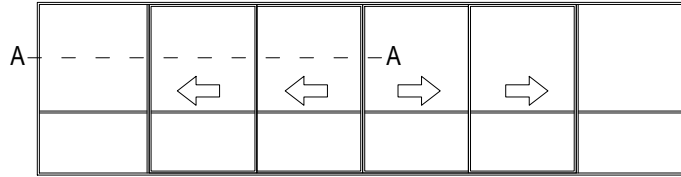


## STACKING DOOR

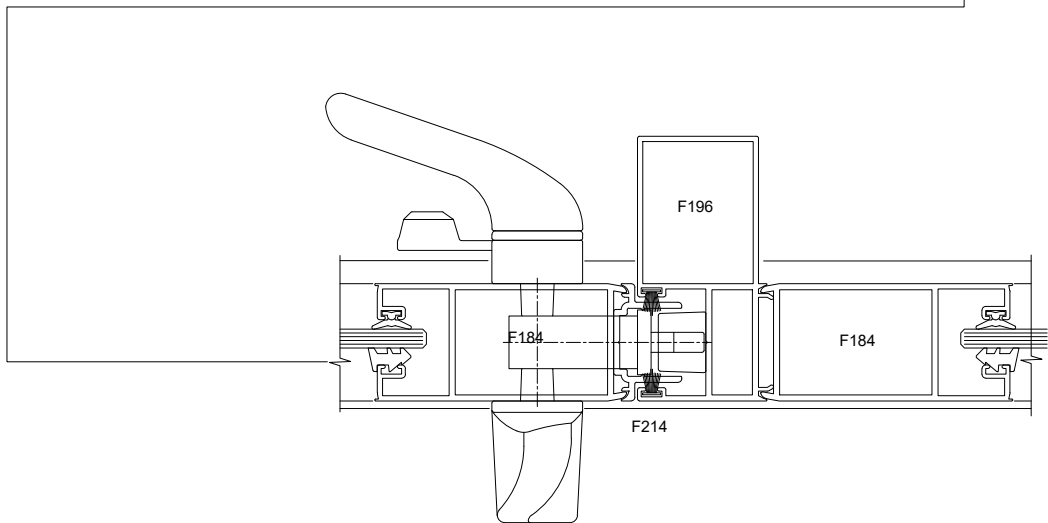
FAIRVIEW SYSTEMS LIMITED SPECIFIERS GUIDE 2014 © TECHNICAL SPECIFICATIONS & PROFILE DETAILS SUBJECT TO CHANGE WITHOUT NOTICE

### ARCHITECTURAL CUBIC 35 COMPLETE SUITE

DATE 12.06.2018	SCALE 1:2
REF. AC35.1093	



SECTION A-A



## STACKING DOOR

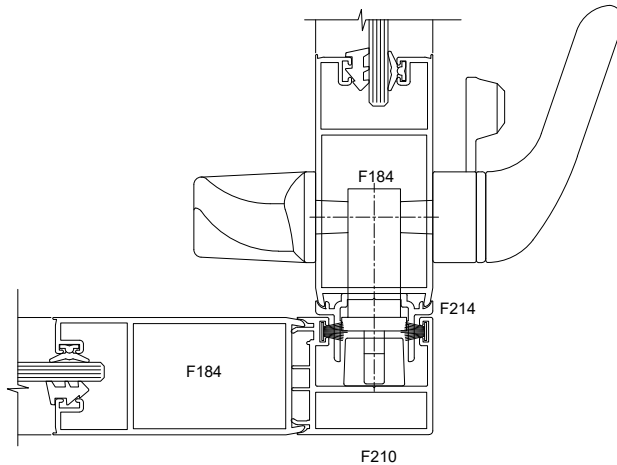
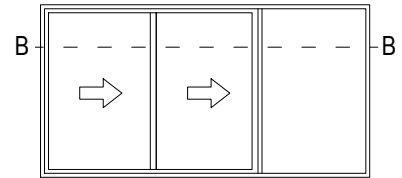
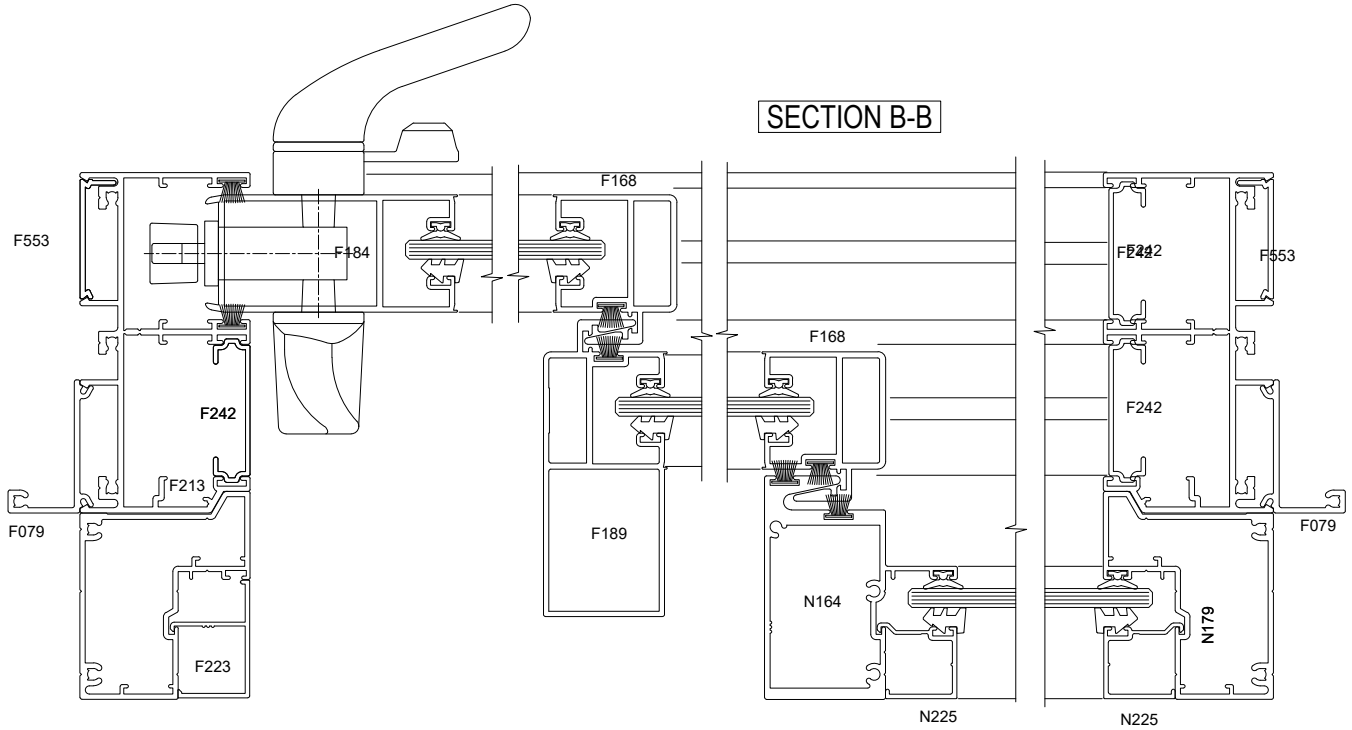
FAIRVIEW SYSTEMS LIMITED SPECIFIERS GUIDE 2014 © TECHNICAL SPECIFICATIONS & PROFILE DETAILS SUBJECT TO CHANGE WITHOUT NOTICE

ARCHITECTURAL CUBIC 35 COMPLETE SUITE

DATE  
12.06.2018

SCALE  
1:2

REF. AC35.1094



SECTION A-A

## STACKING DOOR

FAIRVIEW SYSTEMS LIMITED SPECIFIERS GUIDE 2014 © TECHNICAL SPECIFICATIONS & PROFILE DETAILS SUBJECT TO CHANGE WITHOUT NOTICE

ARCHITECTURAL CUBIC 35 COMPLETE SUITE

DATE 12.06.2018	SCALE 1:2
REF. AC35.1095	