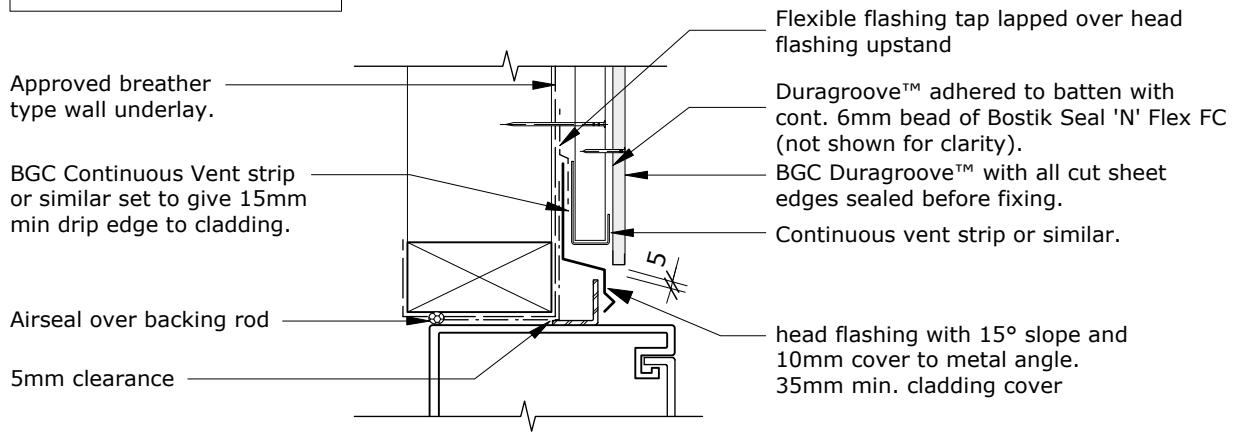
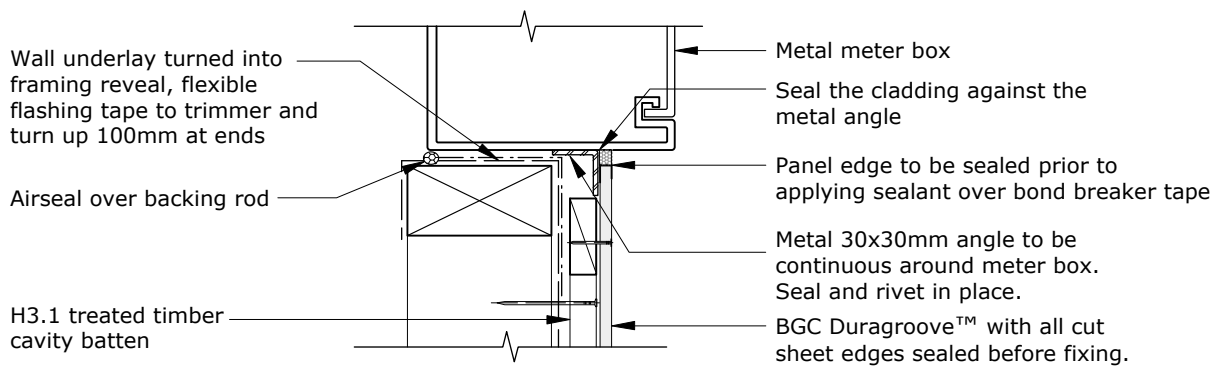


**Cavity Batten Note:**

Refer to cavity batten layout for batten sizes, types, spacings & fixings.



**Head**



**Jamb/Sill**

**Note:**

Jamb detail similar to sill with angle to give support to BGC Duragroove™

PROFILE **BGC Duragroove™**

DATE **Nov 2011**

DETAIL **Head/Jamb/Sill Meter Box on Cavity Details**

SCALE **1:5 @ A4**

DETAIL NO. **D 30**