

# Purelite™ Mirror

## Installation Instructions

### What comes in the box:

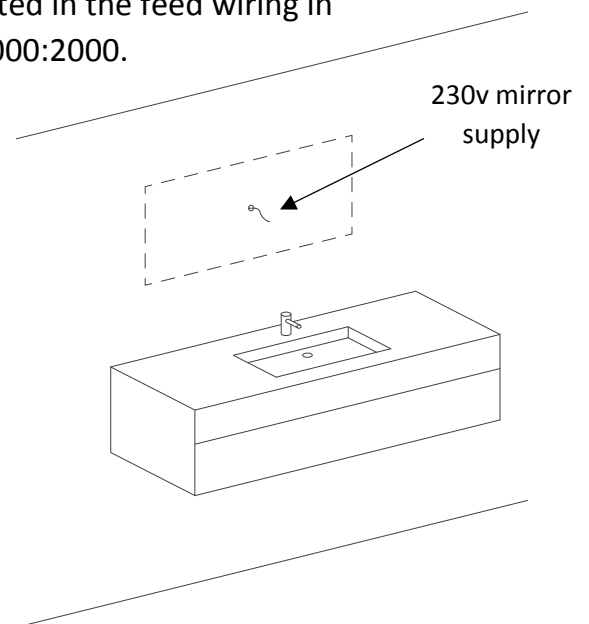
- Purelite Mirror (with built-in touch activated LED lighting)
- Demister Pad and transformer (to be wired by a registered electrician)
- Mounting Brackets X3 and wall plugs.

### Electrical

- Wiring must be installed by a registered electrician
- The demister pad must not be in contact with any wiring.
- Means for disconnection must be incorporated in the feed wiring in accordance with wiring guidelines AS/NZS3000:2000.

### Instructions

1. Determine the location of the mirror



2. Completed by a registered electrician:  
Connect 230v power supply to mirror.
3. Fix the mounting brackets level on the wall.  
Fixing hole 71mm from finished height of mirror into framing or use the supplied wall plugs.
4. Lift & hang on horizontal mounting bracket.
5. Test the power operation by touching the button on the mirror.

