



millboard®

Live. Life. Outside.

CONTENTS

WELCOME TO MILLBOARD	2
WE ARE MILLBOARD	3
TRULY BRITISH	4
CARBON VERIFIED	5
WHAT IS MILLBOARD	6
INSPIRATION	7
THE COLLECTION	25
ESSENTIAL FINISHING TOUCHES	29
ESSENTIAL FIXTURES AND FITTINGS	33
THE INSTALLATION	39
QUESTIONS AND ANSWERS	41
HOW TO ORDER	45

LIVE. LIFE. OUTSIDE.

Because we believe that there is nothing to compare with the appearance of wood's natural grain, we've spent years perfecting an outdoor alternative that's just as attractive as the real thing, without the flaws of natural products.

Within these pages, you're invited to discover the Millboard collection in all its glory, from our stunning weathered creations that capture the character of hundred-year-old oak, to a contemporary burned-effect design, coastal-inspired looks and beyond.

Plus you'll also find outdoor inspiration to help you enjoy your space in style all year round.

Take a look inside and get inspired.

We Are Millboard



DESIGNED IN BRITAIN.

MADE IN BRITAIN.

The distinctive look of Millboard takes skill, impeccable attention to detail and patience to achieve.

The journey begins with real timber, which we source from the local area and carefully select by hand, paying particular attention to the subtle nuances of the natural grain.

These timbers are then used to create the moulds for Millboard, enabling us to replicate the natural character of the original wood in our unique composite material.

Now our team of craftsmen can get to work transforming the raw Millboard into the designs for our collections.

To recreate the authentic look of hardwood, we carefully match the colour, using multiple tinted hues for depth and subtle variation, ageing and weathering. The beautiful, finished Millboard is just like the real thing, but made to last for years to come.

Millboard_UK

THE WORLD'S ONLY CARBON VERIFIED PREMIUM WOOD-FREE OUTDOOR FLOORING*

6

*No trees were harmed in the manufacturing of Millboard.



430g /CO₂e per m²

When you install Millboard, it's not just a beautiful outdoor space you are investing in, you are also investing in a low carbon material. Millboard is focused on continued sustainability and we have become the first premium outdoor flooring company in the world to have our carbon footprint independently verified.

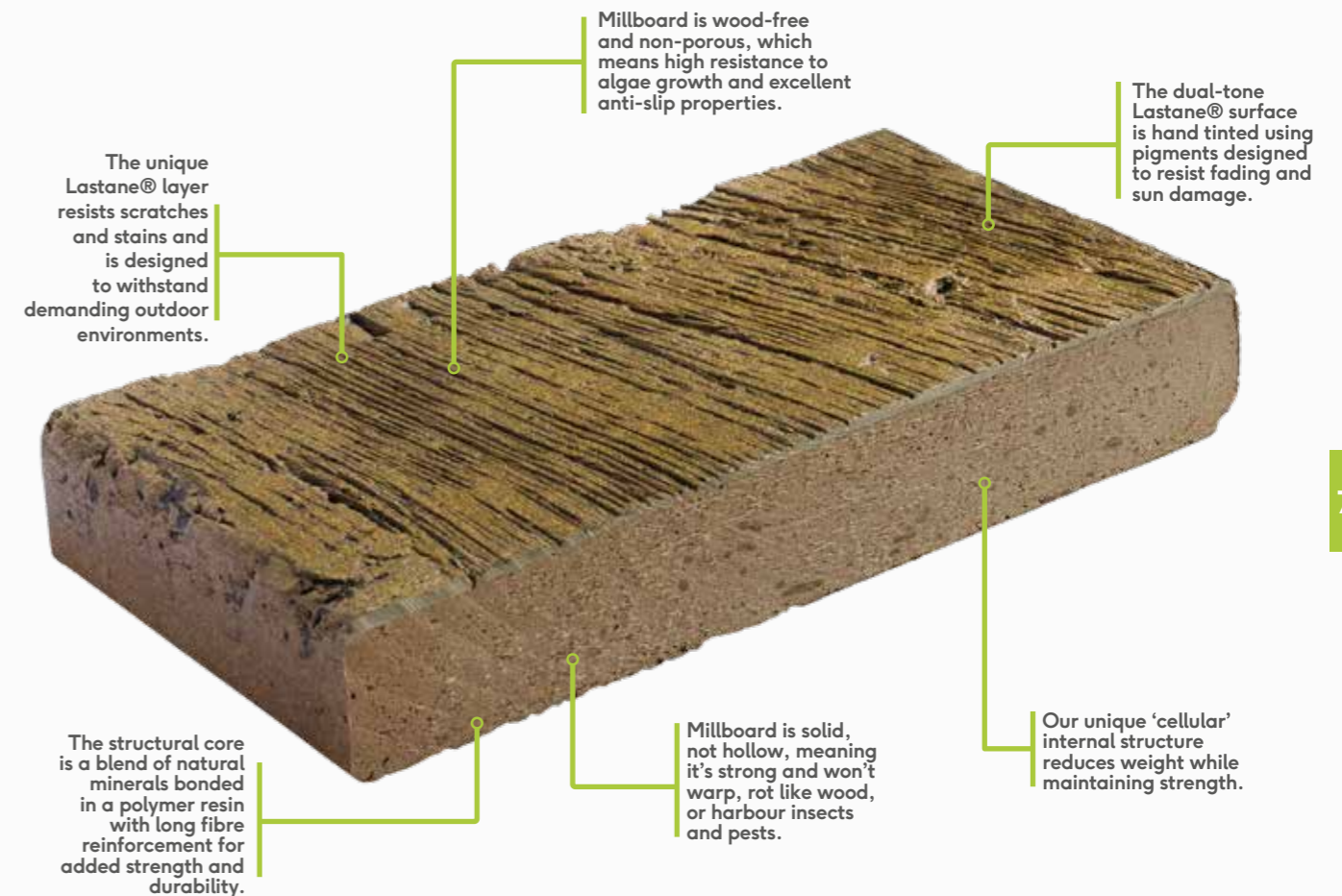
We set out to replicate the beauty of wood and natural timber without all the flaws of a natural product and by doing so, we have produced a premium wood-free outdoor flooring board which is manufactured using the least amount energy and carbons possible - leaving wood where it should be, growing gracefully in the ground just as nature intended.

In fact, the carbon footprint of Millboard is 430g CO₂e per m² which is the same carbon footprint as a high street caffè latte or a kilo of bananas.

For full details of our carbon credentials please visit millboard.co.uk/about

WHAT IS MILLBOARD?

Millboard® combines the natural beauty of real timber with the high performance of our unique wood-free material.



The unique Lastane® layer resists scratches and stains and is designed to withstand demanding outdoor environments.

Millboard is wood-free and non-porous, which means high resistance to algae growth and excellent anti-slip properties.

The dual-tone Lastane® surface is hand tinted using pigments designed to resist fading and sun damage.

The structural core is a blend of natural minerals bonded in a polymer resin with long fibre reinforcement for added strength and durability.

Millboard is solid, not hollow, meaning it's strong and won't warp, rot like wood, or harbour insects and pests.

Our unique 'cellular' internal structure reduces weight while maintaining strength.

7

Where even the highest quality hardwood can warp, fade and quickly lose its original appeal, Millboard is crafted using a composite, designed for outdoor conditions. Made from Lastane®, the textured top surface creates a resilient, virtually maintenance-free layer, designed to resist algae and prevent slipping, even in wet conditions.

Beneath this durable top layer lies a wood-free polymer resin core, reinforced with fibre for extra strength and durability, which means that it won't expand or contract, warp or rot, like timber or composites made using wood. And because Millboard is made in Britain using innovative techniques, it's also eco-friendly too.



8

Smoked Oak

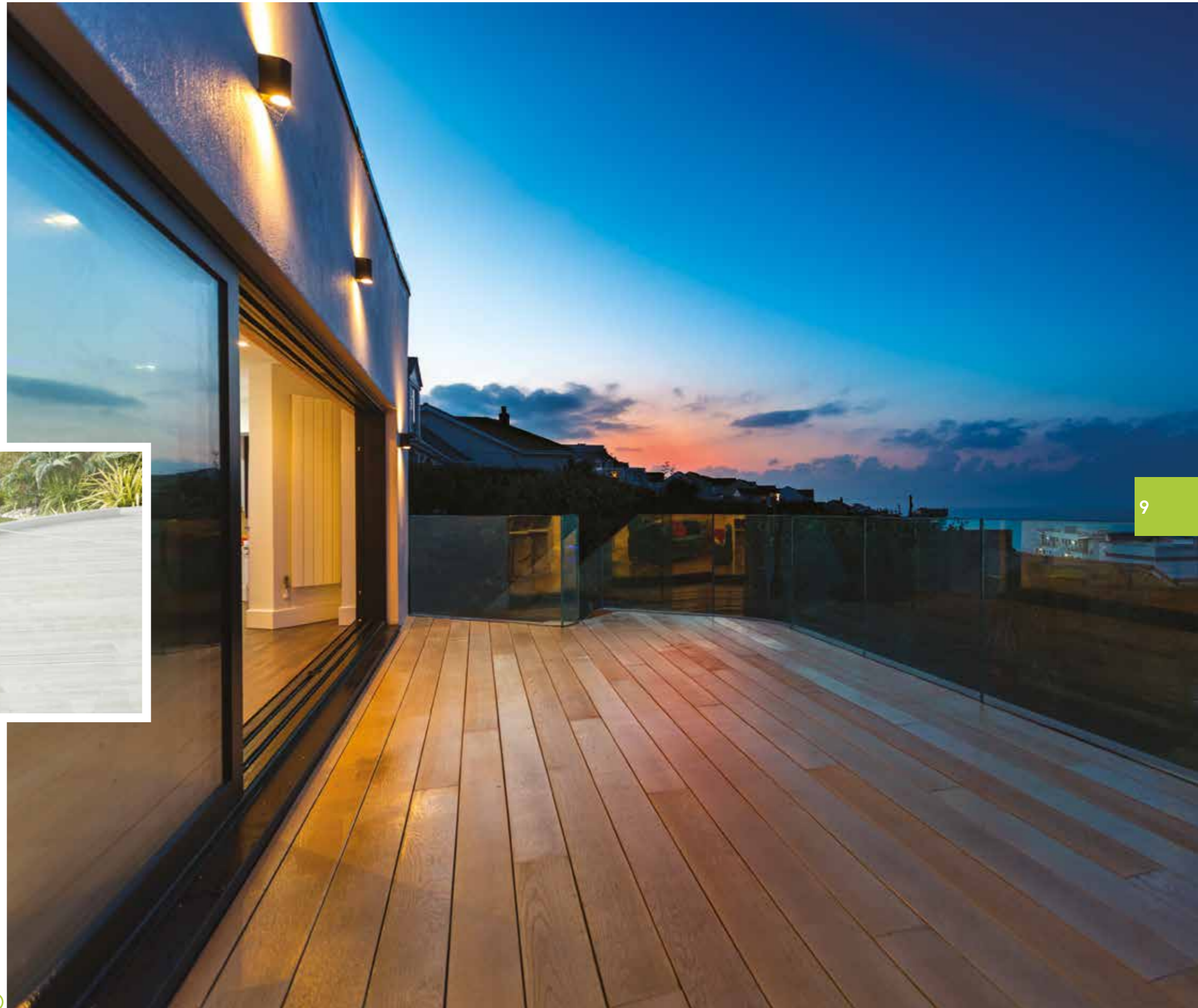
Real homes

ROOM WITH A VIEW

When it comes to outdoor spaces, beauty comes in all shapes and sizes. Whether you've a bijou balcony or a generous terrace, Millboard creates a lifestyle setting. And because its unique wood-free composition won't rot or warp, you needn't worry about costly or time-consuming maintenance.



Does not rot, splinter or warp like wood



9

Golden Oak



10

11

Wide choice of designs & colours

Coppered Oak

Smoked Oak

Real homes

MAKE A FRESH START

The Millboard collection's amazing choice of styles, finishes and colours enables you to transform any outdoor space with minimal effort. Create a lavish outdoor living room or entertaining space to share with family and friends, or a peaceful deck just for you. The possibilities are endless.



12



13

Charred Oak and Smoked Oak

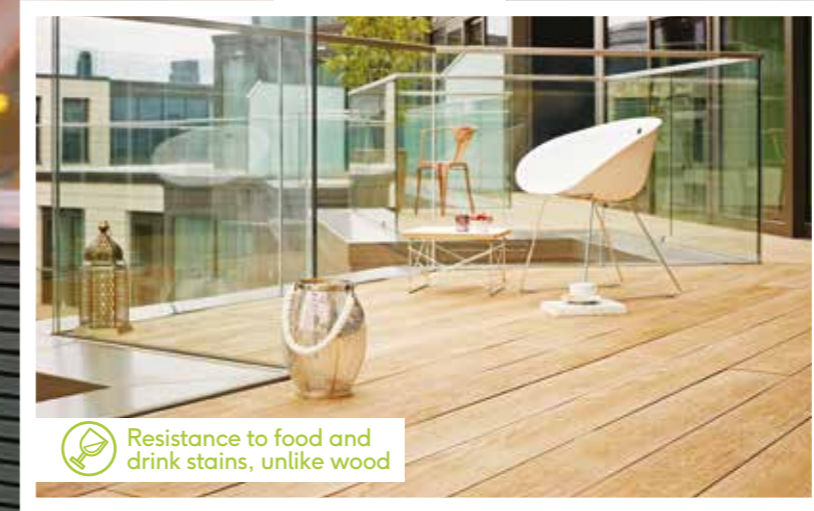
Ultra low maintenance unlike wood

Golden Oak

Real homes

SANCTUARY IN THE CITY

Create your own private urban hideaway with the only resin mineral board flooring to offer the look and feel of wood without the hassle and maintenance. In fact, Millboard is just what busy city dwellers and their precious outdoor spaces are looking for.



14

15

Golden Oak ↗

Smoked Oak ↗

Charred Oak ↗

Real homes

THE HIGH LIFE

Those seeking the highest quality flooring to match their elevated view need look no further. Style-conscious hosts choose Millboard for its amazing resistance to food and drink stains, its suitability for year-round use, as well as its inimitable wow factor.

TO INFINITY AND BEYOND

What better complement to a luxurious pool than the finest deck? Beautiful and –just as important– practical, Millboard is highly resistant to algae growth, whatever the weather. What's more, its unique resin material is slip-resistant even when wet for complete pool-side peace of mind.

Smoked Oak



Highly resistant to algae growth unlike wood

Smoked Oak





18

Real homes

THINK INSIDE OUT

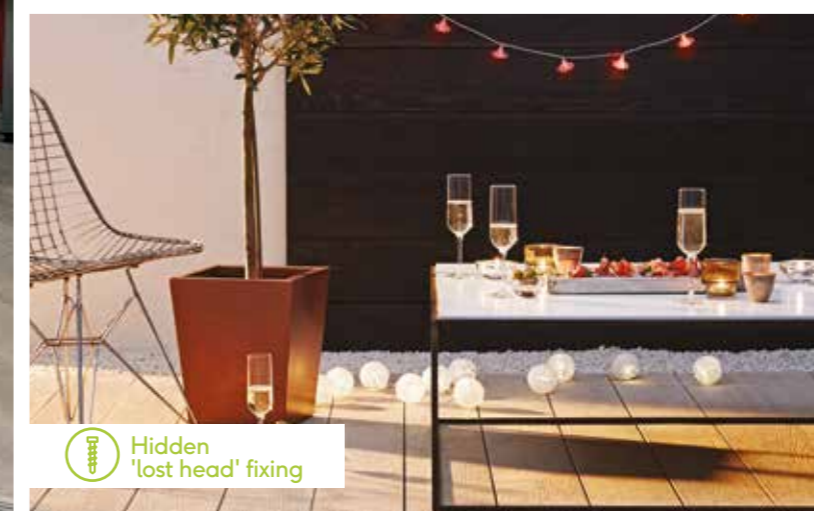
Bring a sense of the outdoors in, and vice versa, with spaces that seamlessly flow from one to the other. Millboard is perfect for achieving such a look, all thanks to its soft feel and hidden fixings. See page 37 for more details.

Vintage Oak ↴



19

↴ Charred Oak



↴ Hidden 'lost head' fixing

↴ Smoked Oak





High UV colour stability unlike wood



20

Golden Oak

Real homes

BESIDE THE SEASIDE

Lucky enough to have a home somewhere gloriously sun-kissed? Where lesser outdoor flooring may quickly fade in the sunshine, Millboard is UV resistant, retaining its hand-finished colour and lustre for many years to come – perfect for beach houses and coastal getaways.



Smoked Oak



21


Smoked Oak



22

23



 Splinter free boards unlike wood

 Coppered Oak

Embered 

Commercial
**INSPIRED
 BY
 NATURE**

Millboard brings outdoor spaces the characterful look and feel of real timber without any of the drawbacks such as warping, splinters, high maintenance and high slip risks. Little wonder it's the flooring of choice for a variety of commercial spaces and uses.

 Driftwood



Intricate natural wood grain detail

Golden Oak

24

25

Vintage

Commercial

THE CALL OF THE WILD

Inspired by the raw beauty of nature, every Millboard is moulded from real, hand-selected vintage oak timbers, carefully capturing the wood's distinctive grain, before being hand-coloured for the most authentic look possible. It's time to discover the ultimate wood-free alternative.

Vintage

The Millboard

The Collection

MILLBOARD ENHANCED GRAIN

Moulded from planed timber for a textured slip resistant look and feel, our Enhanced Grain collection's contemporary design accurately recreates the subtle nuances of natural wood. Each of the six colours showcases the grain beautifully.

Board size: 176 x 3600 x 32mm
Available in six colours, refer to swatch

The Collection

MILLBOARD WEATHERED OAK

Beautifully aged yet utterly timeless, our handcrafted Weathered Oak collection is moulded from 100-year-old reclaimed weathered oak timber, creating a distinctive worn look – without the wait.

Board size: 200 x 3200 x 32mm
Available in three colours, refer to swatch

Collection 2017

IT'S MORE THAN JUST A BOARD.

Introducing Millboards complete decking solution.

Our unique, hidden composite decking fixings make Millboard installation simple and preserve its unique difference to all conventional composite decking. The ideal companion for our all-weather flooring is Plas-Pro, a durable, hard-wearing and practical sub-frame material for spaces exposed to damp. Our adjustable pedestal supports are ideal for podium decks and terraces. Their smart design allows pipe work and services to be laid beneath Millboard composite decking, while also improving breathability and preventing rot.

The Collection

MILLBOARD LASTA GRIP

Our Lasta-Grip® collection's textured design offers a high anti-slip rating without the rough feel of other gritted strip boards. Offering safety first, Lasta-Grip® is high grip without the rip.

Perfect for public spaces, by the pool, play areas and anywhere there's rain or water.

Board size: 200 x 3600 x 32mm
Available in two colours, refer to swatch

Joist Cradles and Supports



Plas-Pro



Durafix® Stainless Steel fixing



Pedestals



Fascia and Bullnose



Bullnose and Square Edge





Golden Oak Flexible Bullnose Edging and Fascia

Coppered Oak Square Edging



THE
millboard
WAY

Essential Finishing Touches

EDGING AND FASCIA

Complete the Millboard look with our Edging collection. It's the perfect finishing touch, designed to minimise wear and available in two designs, seven colours and either standard or flexible and standard for bullnose.

Because the finer details matter, our Fascia collection discreetly works with your choice of Millboard, ensuring the final look is seamless.

- Square edging:** 50 x 3200 x 33mm
- Bullnose edging standard:** 50 x 3200 x 33mm
- Bullnose edging flexible:** 50 x 2400 x 33mm
- Fascia board:** 146 x 3200 x 16mm
- Available in the complete collection colours



VINTAGE OAK

500ml - Code: AP500V



COPPERED OAK

500ml - Code: AP500C



GOLDEN OAK

500ml - Code: AP500G



JARRAH

500ml - Code: AP500J



CHARRED/EMBERED

500ml - Code: AP500E



DRIFTWOOD/SMOKED OAK

500ml - Code: AP500D



LIMED OAK

500ml - Code: AP500L

Essential Finishing Touches

TOUCH-UP COATING RANGE

Touch-Up Coating is perfect for blending in exposed cut ends and is available in seven colours to match your Millboard. It is not a substitute for Millboard Edging. Supplied in 500ml tins.

These swatches are representative only.



Essential Information

COLOUR TONE VARIANCE

To recreate the aesthetics of natural products, we intentionally add secondary toning colours. There may be variance within the same board or from board to board in colour tone. This means that samples cut from boards may vary from the general colour of the boarding.

With our range of colours, you can choose what is best for you. As with all products, the darker colours will feel warmer in sunny exposed locations. The lighter colours are normally used in such locations.

Whilst every care is taken to ensure consistency some colour variation from batch to batch may occur. To avoid this, we recommend that you order all you need in one delivery. If you do have different batches it is best to mix the batches to blend the colours.

As with all things constantly exposed to ultra violet light and all weathers, colours will tone slightly in time, this is normal for decking. On delivery if you find the colour unacceptable or believe them to be defective in any way, do not install the boards.

Colour tone may vary from batch to batch



100 x 100 x 3000mm - Plas-Pro post - P1010B300

50 x 50 x 2400mm - Plas-Pro bearer - P0505240

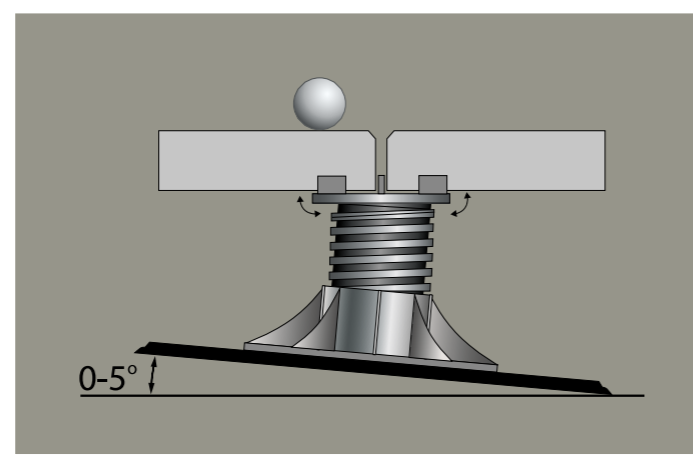
125 x 50 x 3000mm - Plas-Pro joist - P1205B300

34



Essential SUBFRAME AND SUPPORT

The ideal companion for our all-weather flooring, and a durable and practical solution for spaces exposed to damp, such as jetties, fishing platforms, pools, roof terraces and boardwalks. View our 'How to' videos on millboard.co.uk/downloads



Self-levelling pedestal



MILLBOARD PLAS-PRO

Plas-Pro is made from 100% recycled plastic. Using selected graded materials and cleverly engineered processes, Plas-Pro not only brings the key environmental benefits, but the assurance of superior quality performance.

Being impervious to water ingress Plas-Pro like Millboard will not rot, swell or split like wood, making it particularly suitable around water and damp environments ensuring a maintenance-free solution.

Plas-Pro offers many longer term advantages above traditional construction materials such as timber. Designed for the discerning specifier and client looking for durable and cost effective lasting solutions.

Plas-Pro complements our terrace pedestal products and the unique Millboard outdoor flooring range, enabling us to offer a complete, full turn-key, non-rot outdoor flooring system.

PEDESTALS

Our adjustable self-levelling pedestals are ideal for podium decks and terraces. The 'self-levelling' head ensures easier, faster and more stable installations. Their smart design allows pipe work and services to be laid beneath Millboard, while also improving breathability and reducing rot which can occur to roof timbers or a timber sub structure. The weight of the joist is spread evenly, creating a sturdy support, and reducing pressure on the membrane. They're available in five adjustable sizes, giving a complete height range from 40-210mm. A 100mm Extension Collar provides for greater heights.

Floating Head Adjustable	Height	Code
	40-56mm	PPA056
	50-70mm	PPA070
	70-110mm	PPA110
	110-160mm	PPA160
	150-210mm	PPA210
Extension Collar	100mm	PPC100

Number per m²* Millboard

Residential	5.0
Commercial	8.0

* Approx number - quantities may vary according to project design

35

ADJUSTABLE JOIST CRADLE

Our plastic joist cradles are the ideal foundation when installing on roof terraces or over patios. The joist cradles also have an acoustic benefit to help reduce sound transfer. Quick and easy to install their height is adjustable from 10-40mm.

Number per m²*

Residential	5.0
Commercial	8.0

* Approx number - quantities may vary according to project design

Adjustable Joist Cradle Code: PJ40

36

RING SUPPORTS

Millboard ring supports are designed for use in low height areas, creating airflow and protecting the roof membrane, while allowing water to flow off easily and prevent pooling.

Number per m²* Millboard

Residential	5.0
Commercial	8.0

* Approx number - quantities may vary according to project design

Rubber ring 9mm	Code: PPR09
Plastic ring 15mm	Code: PPR15
3mm spacers for 15mm ring	Code: PPR03



37

Adjustable joist cradle



Ring support

Essential

FIXTURES AND FITTINGS

Complete your Millboard outdoor space with essential fixtures and fittings to ensure the perfect fit and performance for years to come. View our 'How to' videos on millboard.co.uk/downloads

Stainless Steel Durafix® fixings



Going, Go ing, Gone.

DURAFIX® FIXINGS

Our unique Durafix®, hidden decking fixings make installing Millboard simple. Made specifically for Millboard, there's no pre-drilling, counter sinking or clip fixings needed – all you need to do is screw them in. Once they're in, the Lastane® coating material on every Millboard simply flexes back over the fixing, leaving a virtually indistinguishable mark and creating a cleaner finish. Made from stainless steel, the screws have a six-point Torx head and are waxed for ease of use. And the driver bits are even included in the box.

Fixings

4.5 x 50mm	Box of 250	Code: FT50P250
4.5 x 60mm	Box of 250	Code: FT60P250



Essential

FIXTURES AND FITTINGS

Complete your Millboard outdoor space with essential fixtures and fittings to ensure the perfect fit and performance for years to come. View our 'How to' videos on millboard.co.uk/downloads



The Installation

INSTALLING YOUR OWN DECK

Preparation is key, so now you have chosen your Millboard, it's time to transform your outdoor space into a fantastic area to relax or entertain your friends and family. To ensure a perfect installation, visit our online resource centre and download our installation guidelines. For hints and tips on how to prepare and install your own beautiful Millboard outdoor area, take a look at our 'How to' videos at millboard.co.uk/downloads



The Installation

GET AN APPROVED INSTALLER

Looking for an APPROVED Installer? Millboard have a growing national team of professional, trained and qualified APPROVED Installers. Simply visit millboard.co.uk/locator, type in your postcode and contact one of our APPROVED Installers, safe in the knowledge that they have the competency, training and installation skills required to meet your requirements and install your Millboard.



QUESTIONS AND ANSWERS

WHERE CAN I USE MILLBOARD?

Millboard is extremely versatile and can be used in practically every outdoor space. Create decks, balconies, roof gardens, boardwalks, bridges, pontoons, seating, steps, planters and more.

DO I NEED TO SEAL MILLBOARD?

No, all Millboards are surface sealed in the factory to ensure they arrive in premium condition. In the first few weeks of use, rainwater will sit on the surface in globules, but don't worry – this is normal and will stop once the temporary surface seal breaks down.

DOES MILLBOARD MARK?

The Lastane® finish is highly resistant to scratches and food and drink stains, and everyday wear and tear. Sharp objects such as unprotected table or chair legs, spiked shoes or metal planter bases can leave marks if dragged across the surface, so take care when moving these items around. The risk of marking from strong dyes and stains such as berries and animal droppings will be reduced if removed as soon as possible.

HOW DO I CLEAN MILLBOARD?

Because Millboard is made of non-porous composite, it resists mossy build-up and stains, so needs very little maintenance. To remove spills and marks, simply use a mild detergent and a brush. Just steer clear of solvents, chemicals and abrasive cleaners that could damage your Millboard – and there's normally no need for pressure washing.

IS MILLBOARD ANTI-SLIP?

Yes, in BS79.76 slip resistance tests, all styles of Millboard achieve one of the highest anti-slip ratings, even in wet conditions.

CAN YOU RECOMMEND AN INSTALLER?

A nationwide network of APPROVED Installers are available at www.millboard.co.uk. Chosen for their professionalism and high quality, you should always follow normal precautions before entering into a contract with a third party, especially if a deposit payment is required.

ARE MILLBOARD COLOURS CONSISTENT?

As with all flooring, we advise buying all the Millboard you need at the same time to help ensure that the colour is as consistent as possible. If you don't order all your Millboard at once, you can blend different batches to create only subtle variation throughout your space.

CAN MILLBOARD BE CUT JUST LIKE WOOD?

Millboard can be cut with standard saw blades, although we recommend a carbon-tipped, multi-purpose chop saw. As the formed end of the board is lost when cut, these can be placed in less visual areas against a wall or edging profile. Matching Touch-up Coating for exposed ends is available to buy separately. See page 37.

WHAT FIXINGS SHOULD BE USED TO FIX MILLBOARD?

Following extensive trials, we recommend and supply Durafix® stainless steel screws, designed specifically for Millboard. There's no need to pre-drill or countersink Millboard and the unique Lastane® material self-heals, leaving a virtually indistinguishable mark on the surface. See pages 45 and 46.

WHAT IF IT SNOWS OR IS ICY?

A small amount of granulated white salt can be used to keep your Millboard ice-free. Please don't use rock salt, as this contains clay and grit and can be abrasive. When winter's over, clean the surface with soapy water and a soft broom.

DOES MILLBOARD GET HOT IN THE SUN?

CAUTION – In high temperatures or prolonged bright sunlight Millboard can become hot. Please exercise caution before walking barefoot on to Millboard in circumstances where the Millboard is in high temperatures and exposed to sunlight. In these circumstances, it may be necessary to use footwear. You should not use Millboard in areas that are affected by heat reflective glass.

DOES MILLBOARD COME WITH A WARRANTY?

For more information go to www.millboard.co.uk/warranty

SOMETHING ELSE?

For any other technical, installation or care questions, go to www.millboard.co.uk, call our technical team on 024 7643 9943, or email us at enquiries@millboard.co.uk

ORDER MILLBOARD SAMPLES

There's nothing like seeing Millboard for yourself. Simply go to www.millboard.co.uk to find your nearest merchant or display centre.



Photo Credits

SPECIAL THANKS

Acknowledgements:

Front and Back Cover courtesy of **George Fielding Photography**

Page 07 courtesy of **Sunrock Balconies**

Page 08 courtesy of **George Fielding Photography**

Page 09 courtesy of **Sunrock Balconies**

Page 10 courtesy of **The Caulfield Company**

Page 11-12 courtesy of **Adolfo Harrison Gardens,**
photography by **Mischa Haller**

Page 13-14 courtesy of **Paul Newman Landscapes**

Page 19 courtesy of **Sunrock and Dorset Design and Build**

Page 20 courtesy of **George Fielding Photography**



GET YOUR MILLBOARD IN FOUR EASY STEPS



Step One

INSPIRE

Okay, so you're looking for a stylish but practical outdoor flooring area, to relax or entertain, and want to know where to start. Take a look at our inspiration galleries at millboard.co.uk



Step Two

CHOOSE

Once you have decided which Millboard you like, order a sample at millboard.co.uk/samples or visit one of our KEY Distributors or display centres to discover the beauty of Millboard for yourself



Step Three

BUILD

If you want to install your own deck, visit our resource centre at millboard.co.uk/downloads for how to videos and download our installation manual. If you want a professional installer than find one of our APPROVED Installers from millboard.co.uk/locator



Step Four

ENJOY

Relax and Live. Life. Outside; in the comfort of knowing you have a premium Millboard outdoor flooring solution, free from algae, splinters, food and drink stains and is anti-slip even when wet

The Collection Board size: 176 x 3600 x 32mm

MILLBOARD ENHANCED GRAIN



CHARRED OAK - MDE176E



COPPERED OAK - MDE176C



GOLDEN OAK - MDE176G



LIMED OAK - MDE176L



SMOKED OAK - MDE176D



JARRAH - MDE176J

The Collection Board size: 200 x 3200 x 32mm

MILLBOARD WEATHERED OAK



VINTAGE OAK - MDW320V



EMBERED - MDW320E



DRIFTWOOD - MDW320D

The Collection Board size: 200 x 3600 x 32mm

MILLBOARD LASTA GRIP



COPPERED OAK - MDL200C



GOLDEN OAK - MDL200G

These swatches are representative only; due to the replications of natural hardwood, the complete deck may have slight variations in colour tone and graining.

Essential Finishing Touches

MILLBOARD SQUARE EDGING

Square edging: 50 x 3200 x 33mm



JARRAH - MEUN32J



COPPERED OAK - MEUN32C



LIMED OAK - MEUN32L



GOLDEN OAK - MEUN32G



VINTAGE OAK - MEUN32V



SMOKED OAK/DRIFTWOOD - MEUN32D



EMBERED/CHARRED OAK - MEUN32E

Essential Finishing Touches

MILLBOARD BULLNOSE EDGING

Bullnose edging standard (MEBN): 50 x 3200 x 33mm

Bullnose edging flexible (MEBF): 50 x 2400 x 33mm



JARRAH - MEBN32J/MEBF32J



COPPERED OAK - MEBN32C/MEBF32C



LIMED OAK - MEBN32L/MEBF32L



GOLDEN OAK - MEBN32G/MEBF32G



VINTAGE OAK - MEBN32V/MEBF32V



SMOKED OAK/DRIFTWOOD - MEBN32D/MEBF32D



EMBERED/CHARRED OAK - MEBN32E/MEBF32E

Essential Finishing Touches Board size: 146 x 3200 x 16mm

MILLBOARD FASCIA BOARD



JARRAH - MFN320J



EMBERED/CHARRED OAK - MFN320E



DRIFTWOOD/SMOKED OAK - MFN320D



LIMED OAK - MFN320L



VINTAGE OAK - MFN320V



GOLDEN OAK - MFN320G



COPPERED OAK - MFN320C



millboard®

Live. Life. Outside.



The Millboard Company Ltd
UK Head Office
Unit A, Castle Court
Bodmin Road
Coventry CV2 5DB

T +44 (0)24 7643 9943
F +44 (0)24 7661 1668
E enquiries@millboard.co.uk
W www.millboard.co.uk

Company registered No. 06061318
VAT No: 980 616602