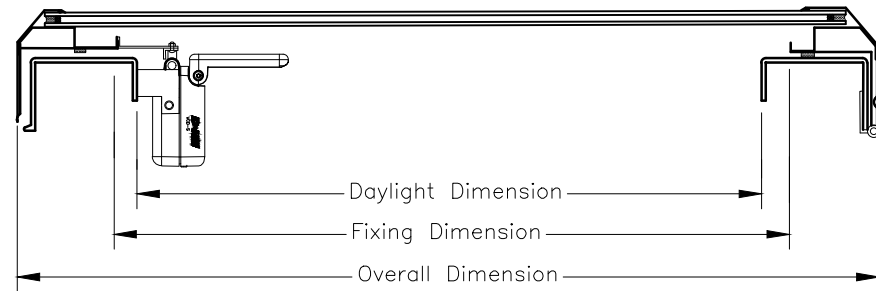
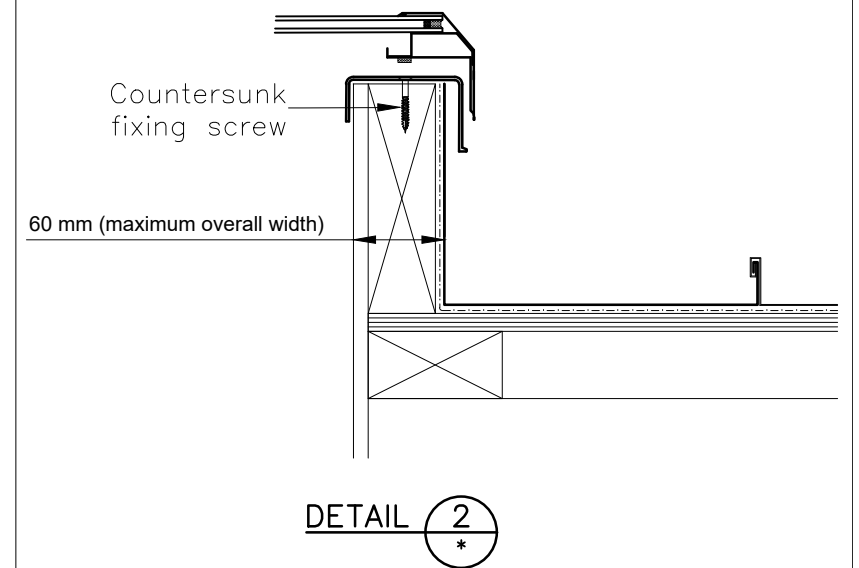
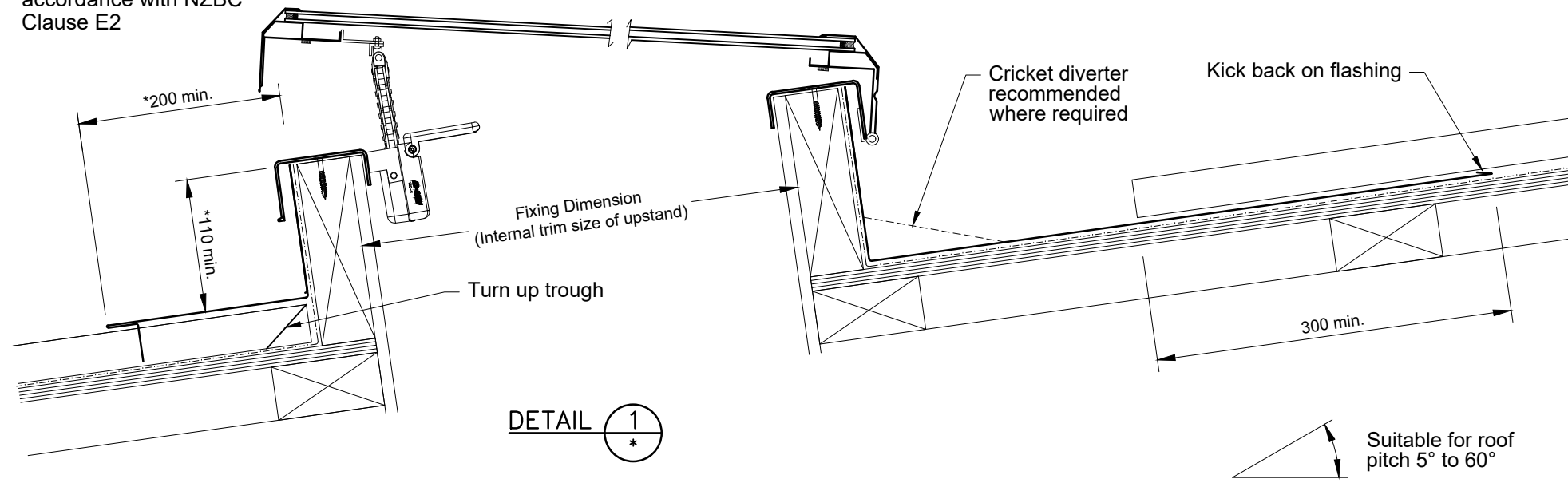
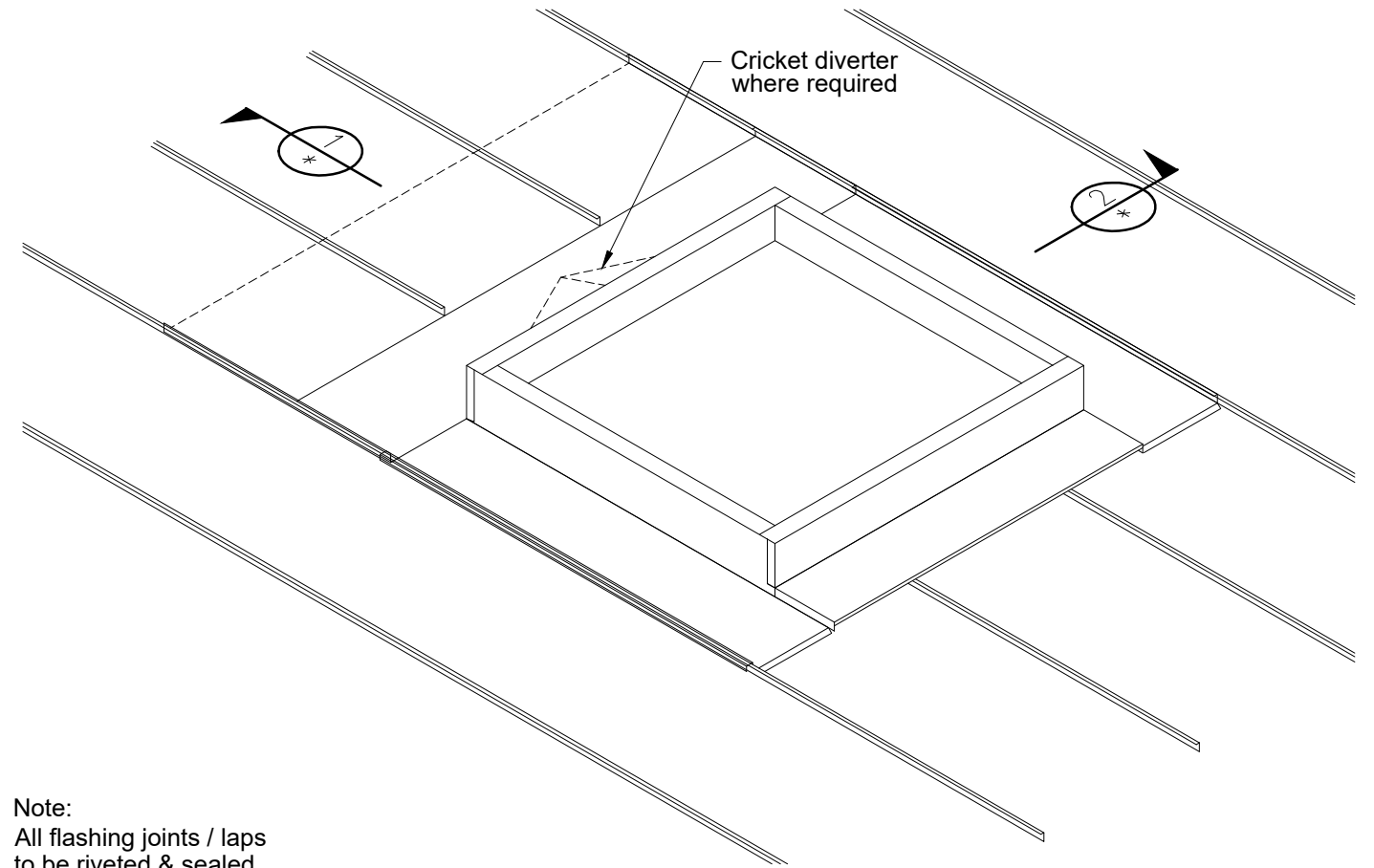


* Dimensions to be in accordance with NZBC Clause E2

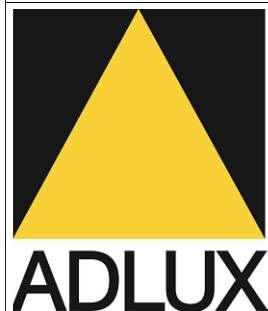


Roof Window Opening - Solar Electric									
Model No.	DAYLIGHT DIMENSION		FIXING DIMENSION		OVERALL DIMENSION				
RWBse77	540	x	540	570	x	570	705	x	705
RWBse86	585	x	435	615	x	465	750	x	600
RWBse99	745	x	745	775	x	775	910	x	910
RWBse106	865	x	435	895	x	465	1030	x	600
RWBse108	865	x	665	895	x	695	1030	x	830
RWBse128	1065	x	665	1095	x	695	1230	x	830
RWBse137	1150	x	540	1180	x	570	1315	x	705
RWBse148	1285	x	665	1315	x	695	1450	x	830
RWBse1212	1065	x	1025	1095	x	1055	1230	x	1190
RWBse1313	1150	x	1150	1180	x	1180	1315	x	1315
RWBse1412	1285	x	1025	1315	x	1055	1450	x	1190



Note:
All flashing joints / laps to be riveted & sealed

Not to scale, do not scale from drawing. All details are generic in nature and should be read in conjunction with the roofing manufacturers' standard penetration details.



ADLUX Industries Ltd. ©
36 Olive Road, Penrose
P.O. Box 13866, Auckland
New Zealand.
Ph: (09) 636 6866
Fax: (09) 636 6846
Email: sales@adlux.co.nz

ROOF WINDOW BASE solar opening (Double Glazed) STANDING SEAM ROOFING PROFILE PITCH 5° TO 60°

DATE: 15/07/19

DWG No: RWBs-SS