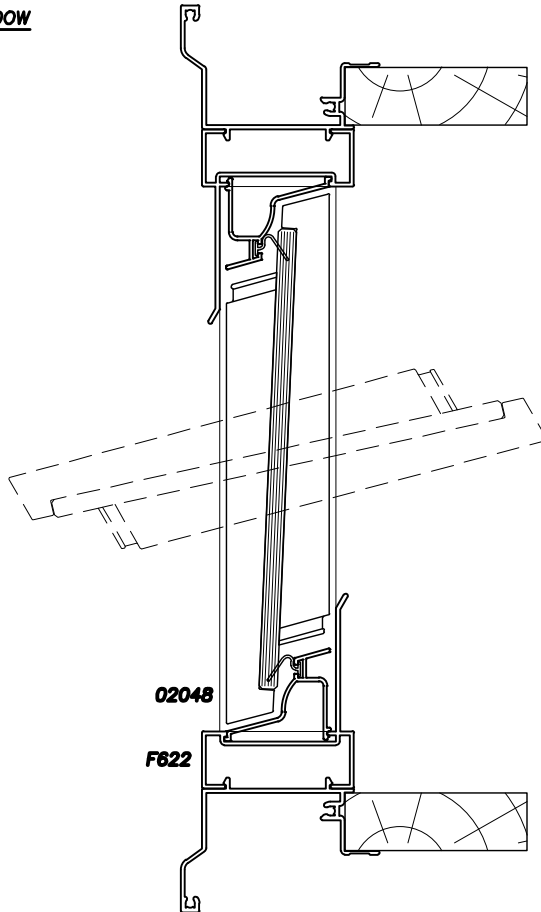
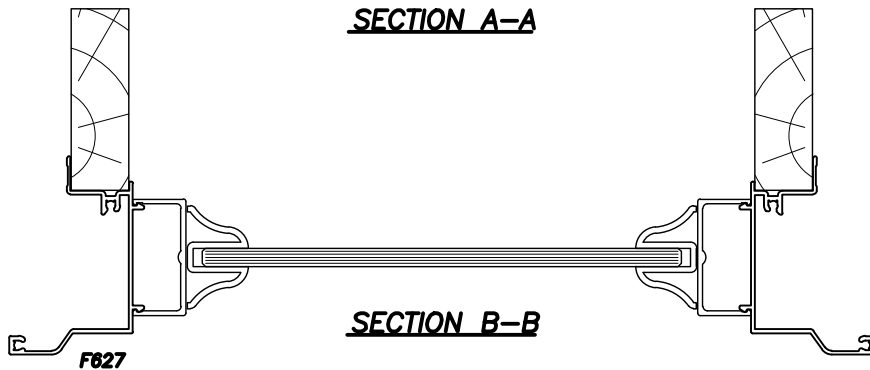


VIEW ON OUTSIDE OF WINDOW



SECTION A-A



SECTION B-B

ALTAIR LOUVRE

COPYRIGHT. THIS DRAWING IS THE PROPERTY OF ALUMINIUM SYSTEMS N.Z. LTD., AND MUST NOT BE USED, COPIED OR ITS CONTENTS DIVULGED WITHOUT THE WRITTEN CONSENT OF THE COMPANY.

TITLE							
LOUVRE HORIZONTAL AND VERTICAL SECTIONS							
DRAWN BY	DATE	REV. BY	REV. DATE	APP'D. BY	SCALE	DRG No.	REV.
C.A.P.	17-02-10				N.T.S.	J03-1-01	A