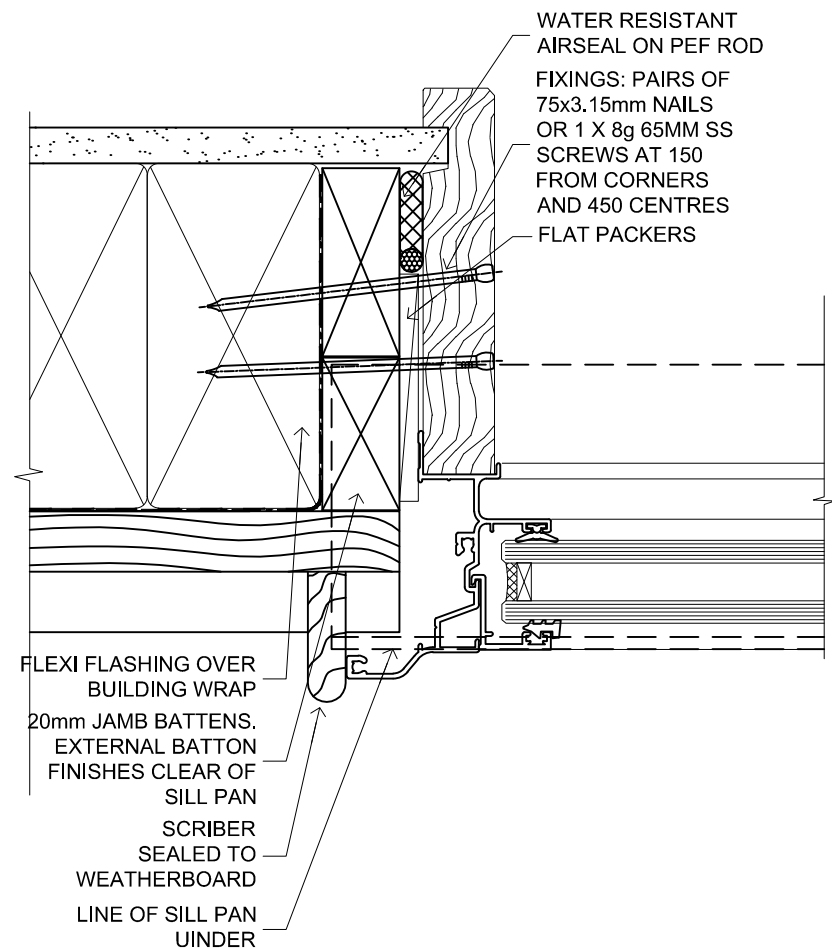
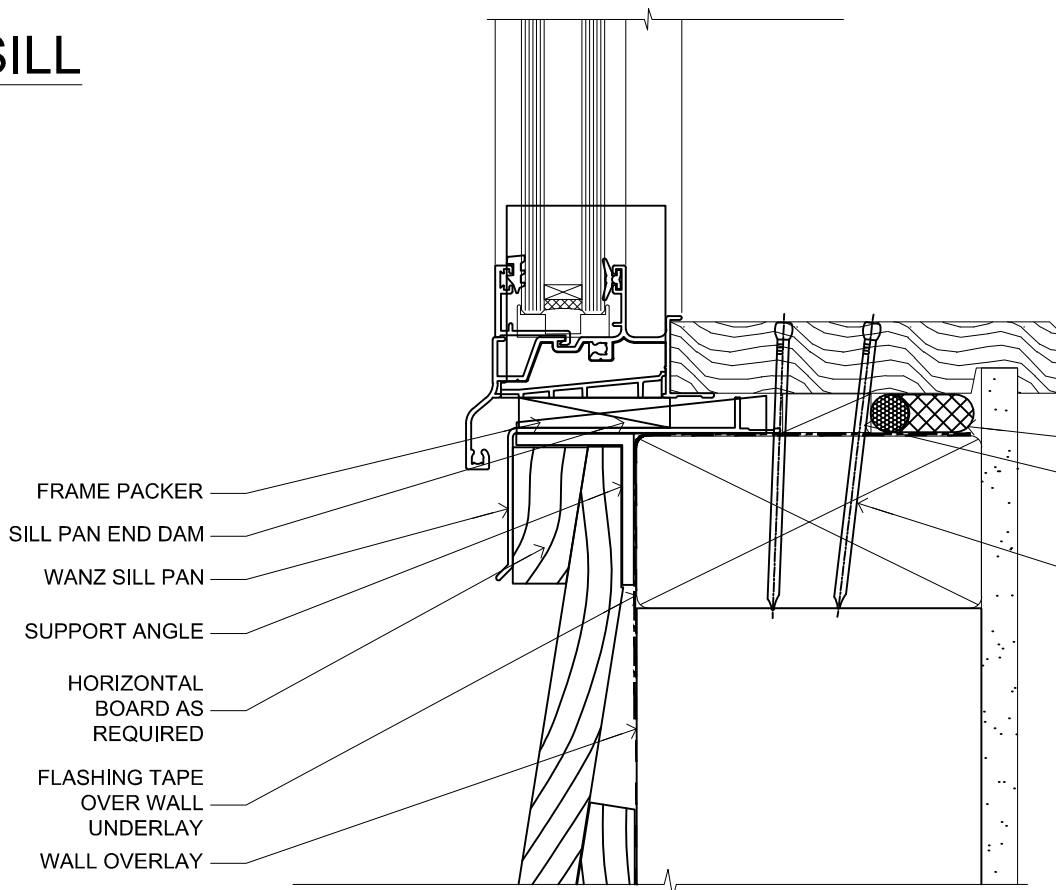


HEAD



SILL



JAMB

WATER RESISTANT AIRSEAL ON PEF ROD

FLAT PACKERS

FIXINGS: PAIRS OF 75x3.15mm NAILS OR 1 X 8g 65MM SS SCREWS AT 150 FROM CORNERS AND 450 CENTRES

NOTE: RIGID AIR BARRIER IS REQUIRED BENEATH THE WALL UNDERLAY IN EXTRA HIGH WIND ZONES

WINDOW

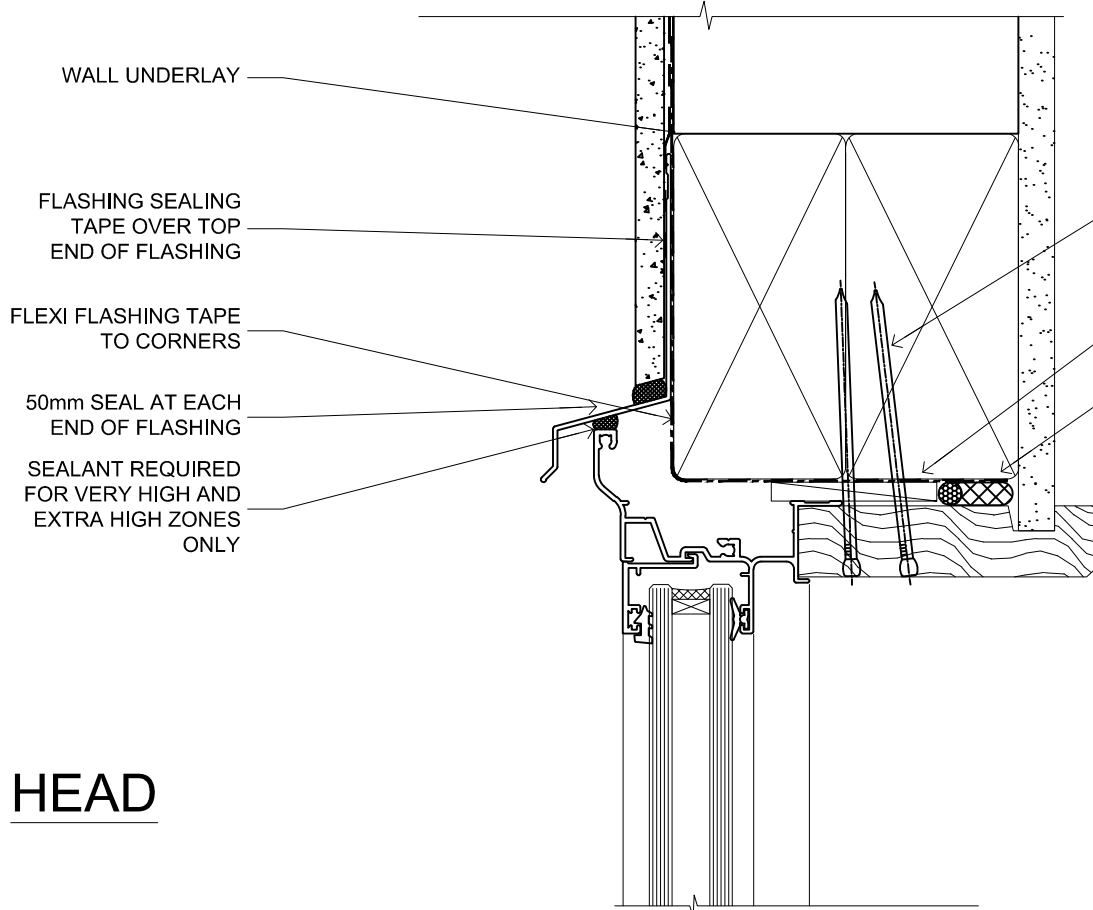
FAIRVIEW SYSTEMS LIMITED SPECIFIERS GUIDE 2014 © TECHNICAL SPECIFICATIONS & PROFILE DETAILS SUBJECT TO CHANGE WITHOUT NOTICE

**CLASSIC RESIDENTIAL 35, DIRECT FIX, BEVEL BACK
WEATHERBOARD DETAILS**

DATE
05.12.2014

SCALE
1:1

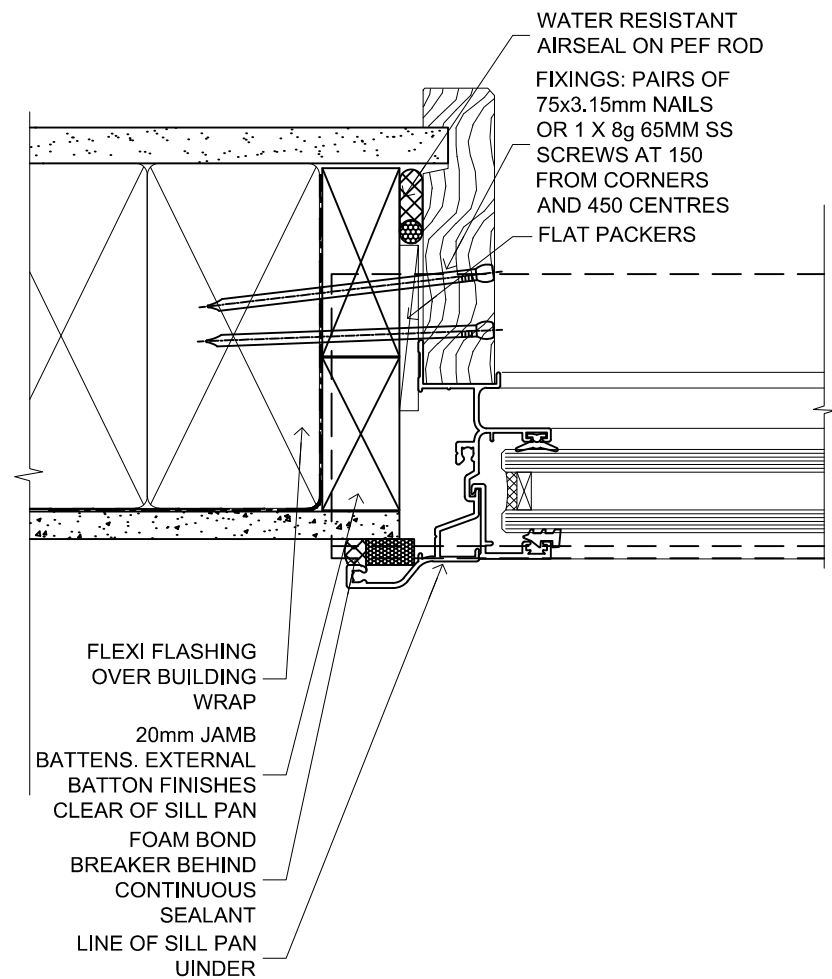
REF. CR35 BBW DF 01



WALL UNDERLAY
 FLASHING SEALING TAPE OVER TOP END OF FLASHING
 FLEXI FLASHING TAPE TO CORNERS
 50mm SEAL AT EACH END OF FLASHING
 SEALANT REQUIRED FOR VERY HIGH AND EXTRA HIGH ZONES ONLY

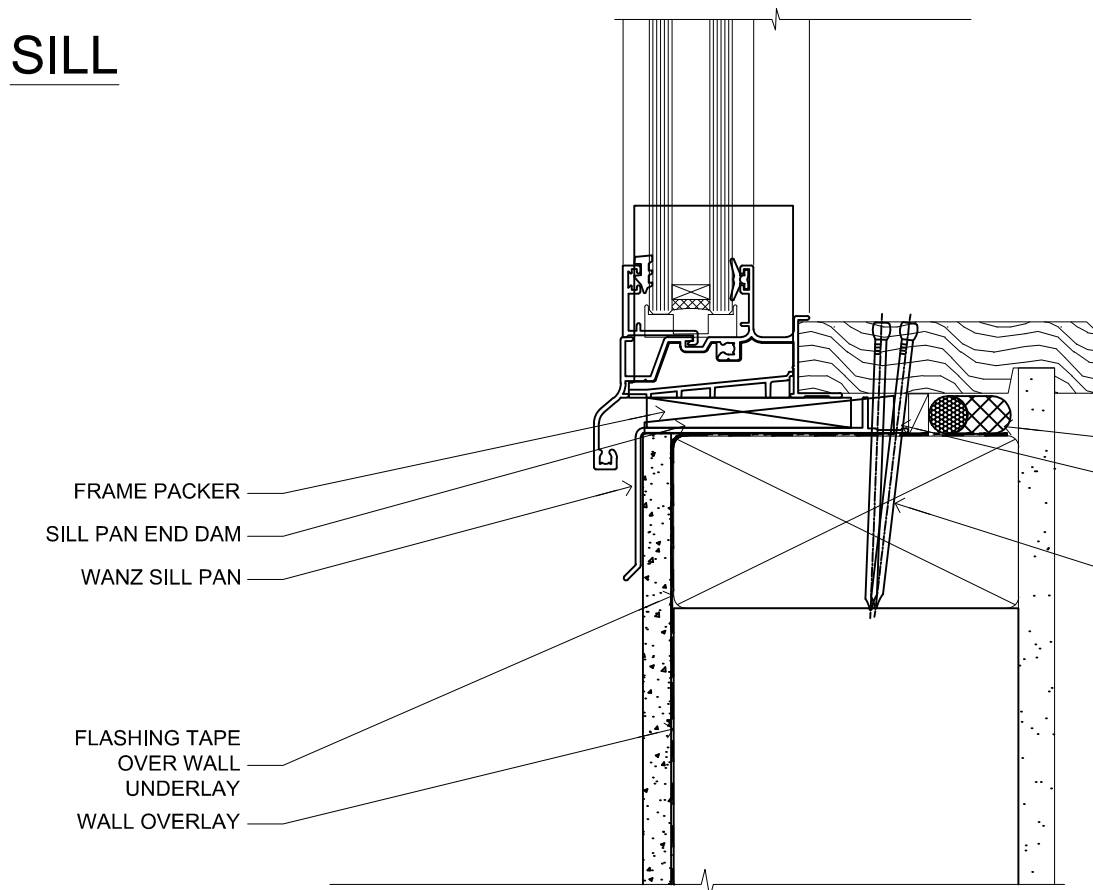
FIXINGS: PAIRS OF 75x3.15mm NAILS OR 1 X 8g 65MM SS SCREWS AT 150 FROM CORNERS AND 450 CENTRES
 TEMPORARY FLAT PACKERS REMOVED FROM HEAD AFTER FIXING
 WATER RESISTANT AIRSEAL ON PEF ROD

HEAD



WATER RESISTANT AIRSEAL ON PEF ROD
 FIXINGS: PAIRS OF 75x3.15mm NAILS OR 1 X 8g 65MM SS SCREWS AT 150 FROM CORNERS AND 450 CENTRES
 FLAT PACKERS
 FLEXI FLASHING OVER BUILDING WRAP
 20mm JAMB BATTENS. EXTERNAL BATTON FINISHES CLEAR OF SILL PAN
 FOAM BOND BREAKER BEHIND CONTINUOUS SEALANT LINE OF SILL PAN UNDER

SILL



FRAME PACKER
 SILL PAN END DAM
 WANZ SILL PAN
 FLASHING TAPE OVER WALL UNDERLAY
 WALL OVERLAY

WATER RESISTANT AIRSEAL ON PEF ROD
 FLAT PACKERS
 FIXINGS: PAIRS OF 75x3.15mm NAILS OR 1 X 8g 65MM SS SCREWS AT 150 FROM CORNERS AND 450 CENTRES

JAMB

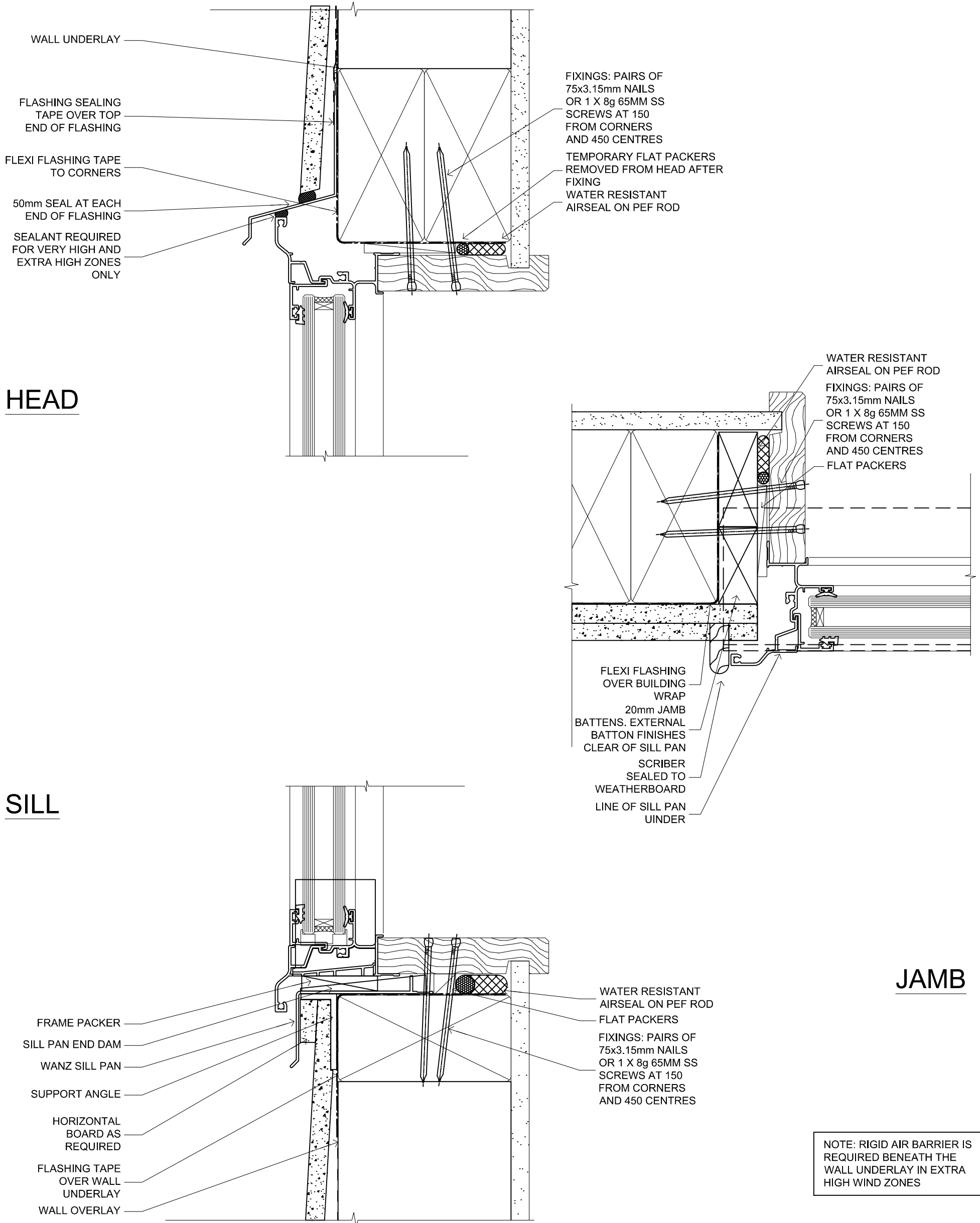
NOTE: RIGID AIR BARRIER IS REQUIRED BENEATH THE WALL UNDERLAY IN EXTRA HIGH WIND ZONES

WINDOW

FAIRVIEW SYSTEMS LIMITED SPECIFIERS GUIDE 2014 © TECHNICAL SPECIFICATIONS & PROFILE DETAILS SUBJECT TO CHANGE WITHOUT NOTICE

CLASSIC RESIDENTIAL 35, DIRECT FIX, FIBRE CEMENT SHEET DETAILS

DATE 05.12.2014	SCALE 1:1
REF. CR35 FCS DF 01	



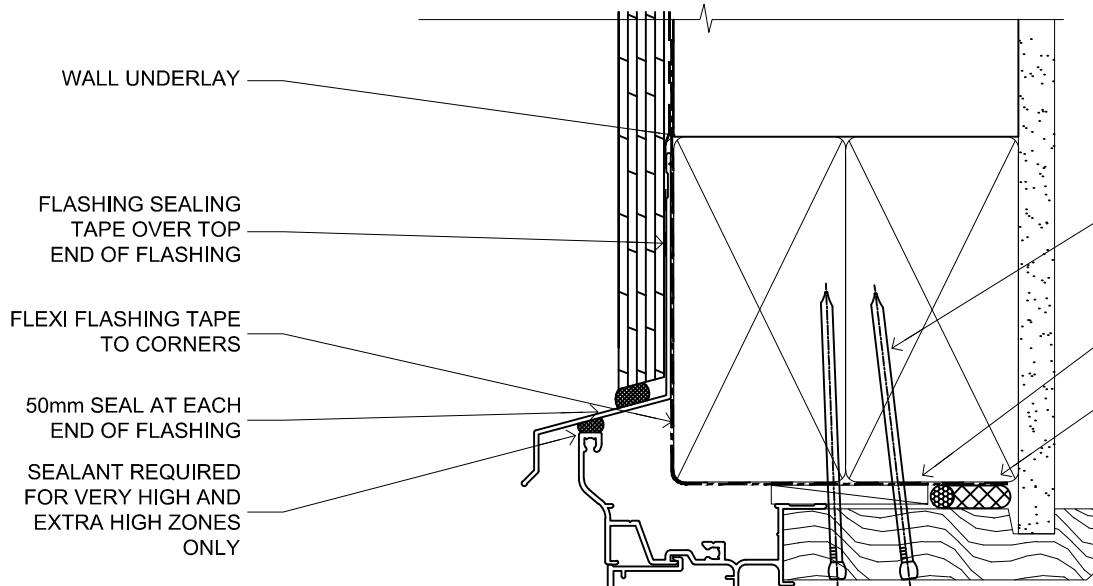
FAIRVIEW SYSTEMS LIMITED SPECIFIERS GUIDE 2014 © TECHNICAL SPECIFICATIONS & PROFILE DETAILS SUBJECT TO CHANGE WITHOUT NOTICE

CLASSIC RESIDENTIAL 35, DIRECT FIX, FIBRE CEMENT WEATHERBOARD DETAILS

DATE
05.12.2014

SCALE
1:1

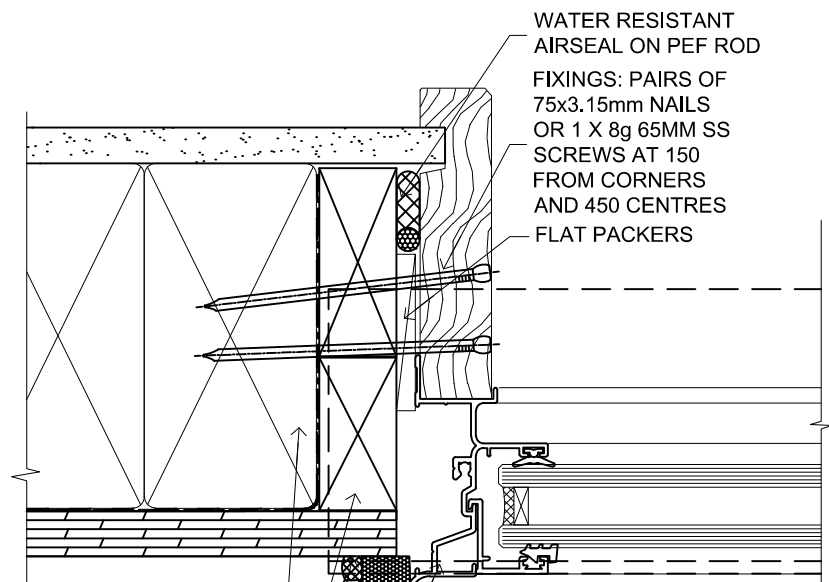
REF. CR35 FCW DF 01



WALL UNDERLAY
 FLASHING SEALING TAPE OVER TOP END OF FLASHING
 FLEXI FLASHING TAPE TO CORNERS
 50mm SEAL AT EACH END OF FLASHING
 SEALANT REQUIRED FOR VERY HIGH AND EXTRA HIGH ZONES ONLY

FIXINGS: PAIRS OF 75x3.15mm NAILS OR 1 X 8g 65MM SS SCREWS AT 150 FROM CORNERS AND 450 CENTRES
 TEMPORARY FLAT PACKERS REMOVED FROM HEAD AFTER FIXING
 WATER RESISTANT AIRSEAL ON PEF ROD

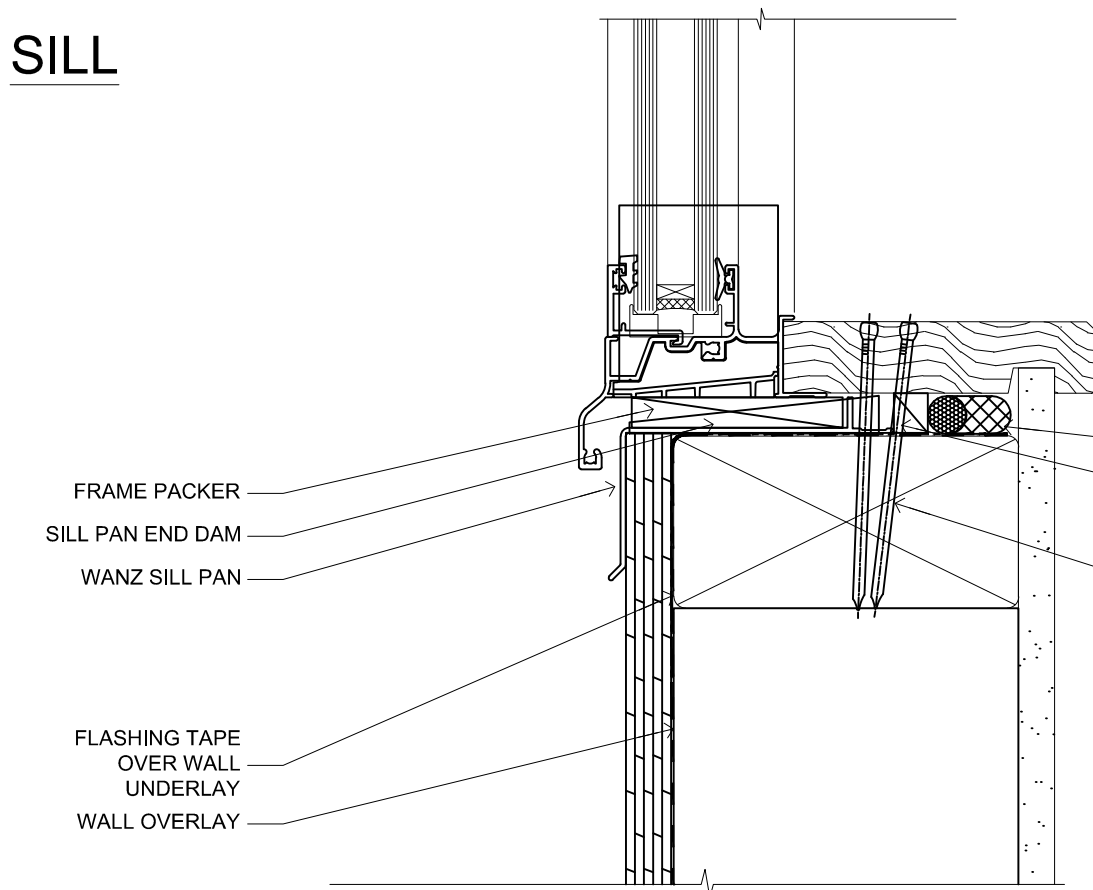
HEAD



WATER RESISTANT AIRSEAL ON PEF ROD
 FIXINGS: PAIRS OF 75x3.15mm NAILS OR 1 X 8g 65MM SS SCREWS AT 150 FROM CORNERS AND 450 CENTRES
 FLAT PACKERS

FLEXI FLASHING OVER BUILDING WRAP
 20mm JAMB BATTENS, EXTERNAL BATTON FINISHES CLEAR OF SILL PAN
 FOAM BOND BREAKER BEHIND CONTINUOUS SEALANT
 LINE OF SILL PAN UNDER

SILL



FRAME PACKER
 SILL PAN END DAM
 WANZ SILL PAN
 FLASHING TAPE OVER WALL UNDERLAY
 WALL OVERLAY

WATER RESISTANT AIRSEAL ON PEF ROD
 FLAT PACKERS
 FIXINGS: PAIRS OF 75x3.15mm NAILS OR 1 X 8g 65MM SS SCREWS AT 150 FROM CORNERS AND 450 CENTRES

JAMB

NOTE: RIGID AIR BARRIER IS REQUIRED BENEATH THE WALL UNDERLAY IN EXTRA HIGH WIND ZONES

WINDOW

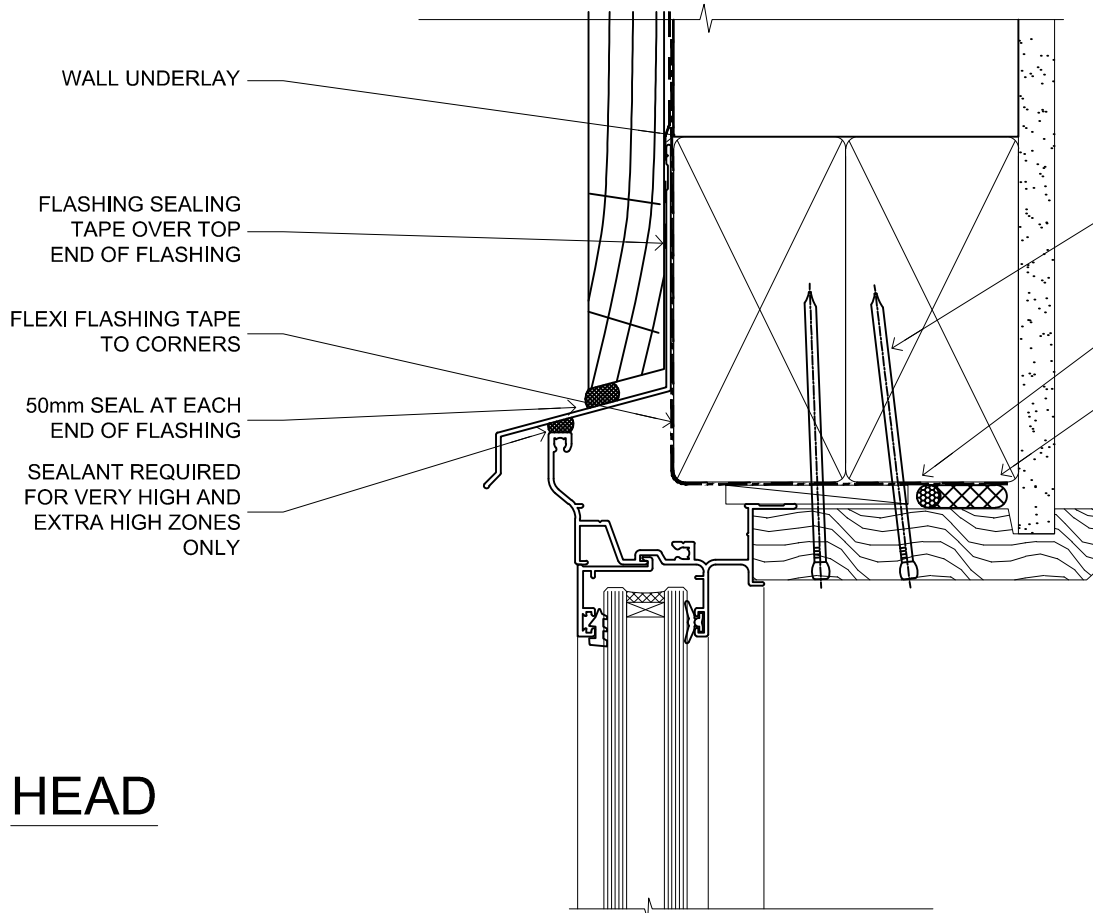
FAIRVIEW SYSTEMS LIMITED SPECIFIERS GUIDE 2014 © TECHNICAL SPECIFICATIONS & PROFILE DETAILS SUBJECT TO CHANGE WITHOUT NOTICE

CLASSIC RESIDENTIAL 35, DIRECT FIX, PLYWOOD SHEET DETAILS

DATE
05.12.2014

SCALE
1:1

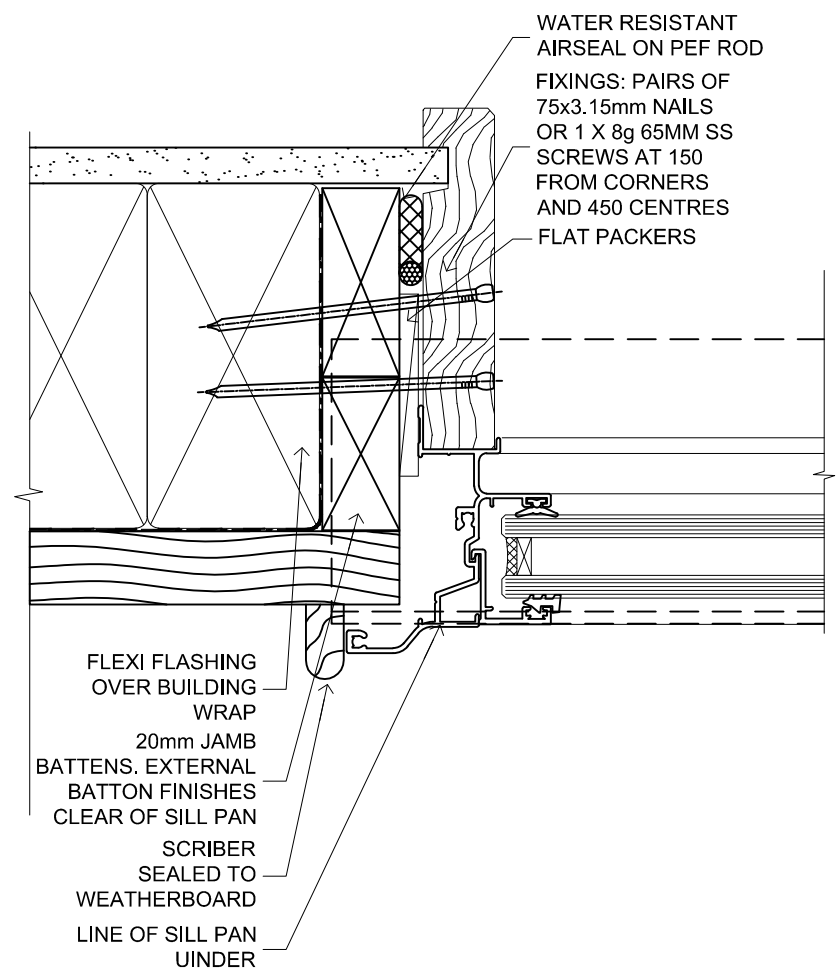
REF. CR35 PS DF 01



WALL UNDERLAY
 FLASHING SEALING TAPE OVER TOP END OF FLASHING
 FLEXI FLASHING TAPE TO CORNERS
 50mm SEAL AT EACH END OF FLASHING
 SEALANT REQUIRED FOR VERY HIGH AND EXTRA HIGH ZONES ONLY

FIXINGS: PAIRS OF 75x3.15mm NAILS OR 1 X 8g 65MM SS SCREWS AT 150 FROM CORNERS AND 450 CENTRES
 TEMPORARY FLAT PACKERS REMOVED FROM HEAD AFTER FIXING
 WATER RESISTANT AIRSEAL ON PEF ROD

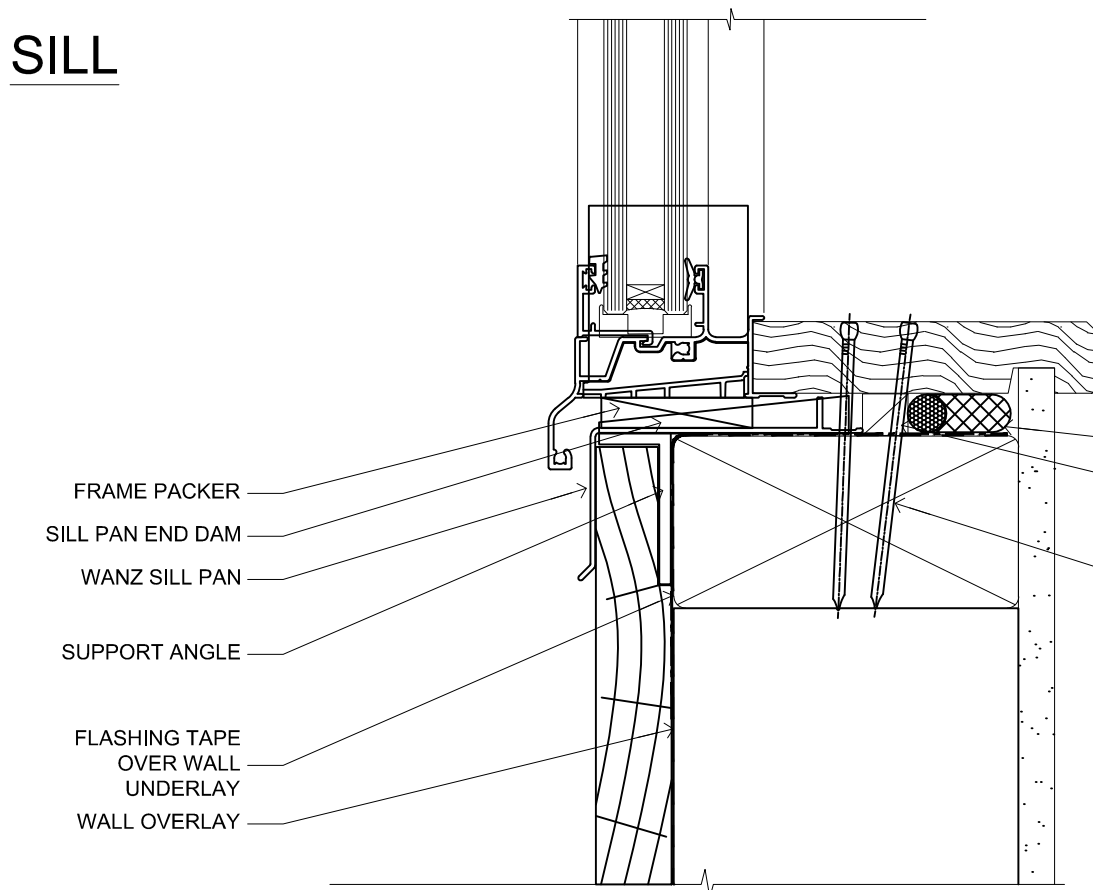
HEAD



WATER RESISTANT AIRSEAL ON PEF ROD
 FIXINGS: PAIRS OF 75x3.15mm NAILS OR 1 X 8g 65MM SS SCREWS AT 150 FROM CORNERS AND 450 CENTRES
 FLAT PACKERS

FLEXI FLASHING OVER BUILDING WRAP
 20mm JAMB BATTENS. EXTERNAL BATTON FINISHES CLEAR OF SILL PAN
 SCRIBER SEALED TO WEATHERBOARD
 LINE OF SILL PAN UNDER

SILL



FRAME PACKER
 SILL PAN END DAM
 WANZ SILL PAN
 SUPPORT ANGLE
 FLASHING TAPE OVER WALL UNDERLAY
 WALL OVERLAY

WATER RESISTANT AIRSEAL ON PEF ROD
 FLAT PACKERS
 FIXINGS: PAIRS OF 75x3.15mm NAILS OR 1 X 8g 65MM SS SCREWS AT 150 FROM CORNERS AND 450 CENTRES

JAMB

NOTE: RIGID AIR BARRIER IS REQUIRED BENEATH THE WALL UNDERLAY IN EXTRA HIGH WIND ZONES

WINDOW

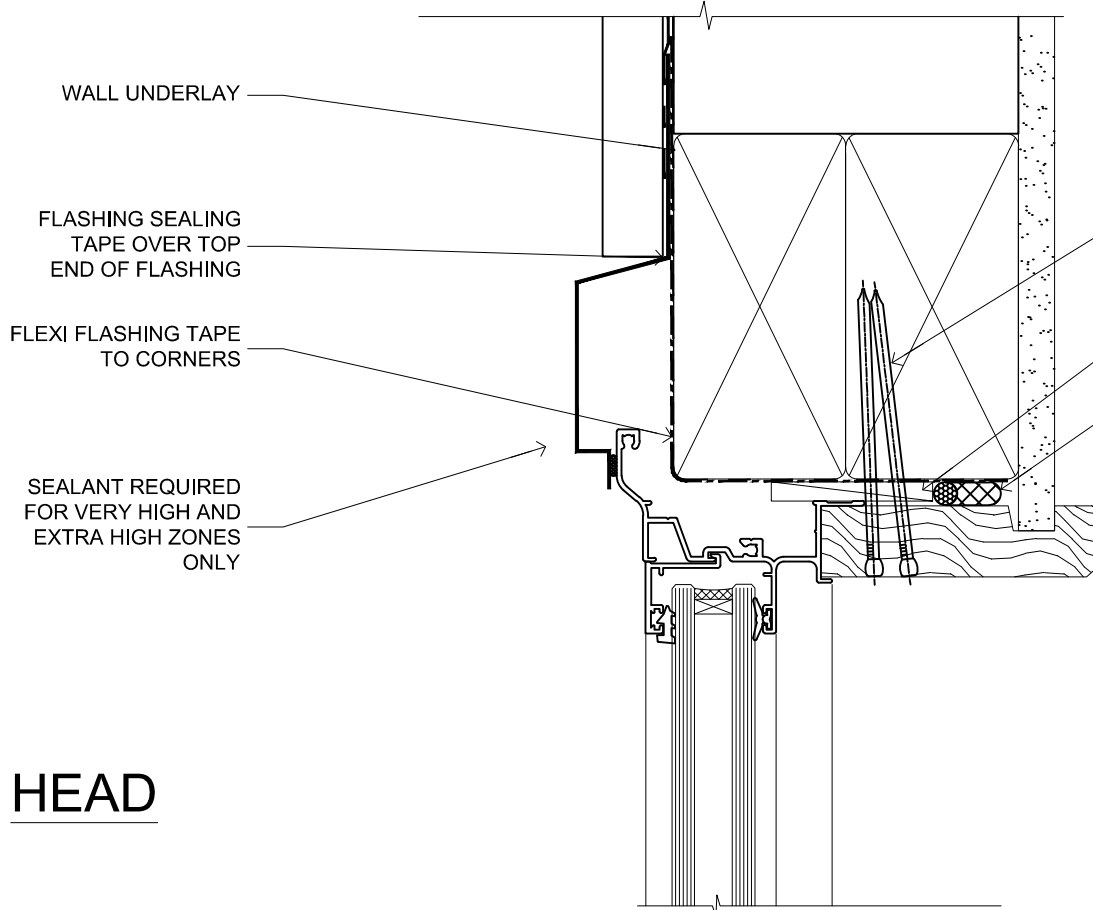
FAIRVIEW SYSTEMS LIMITED SPECIFIERS GUIDE 2014 © TECHNICAL SPECIFICATIONS & PROFILE DETAILS SUBJECT TO CHANGE WITHOUT NOTICE

CLASSIC RESIDENTIAL 35, DIRECT FIX, RUSTICATED WEATHERBOARD DETAILS

DATE
05.12.2014

SCALE
1:1

REF. CR35 RWB DF 01

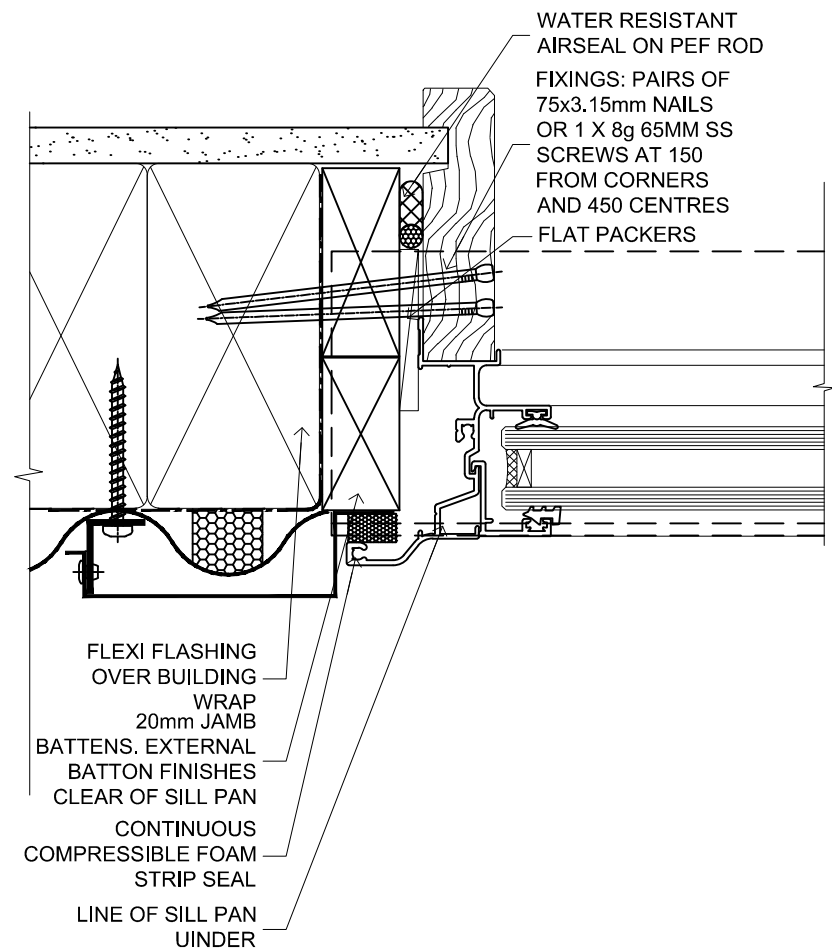


HEAD

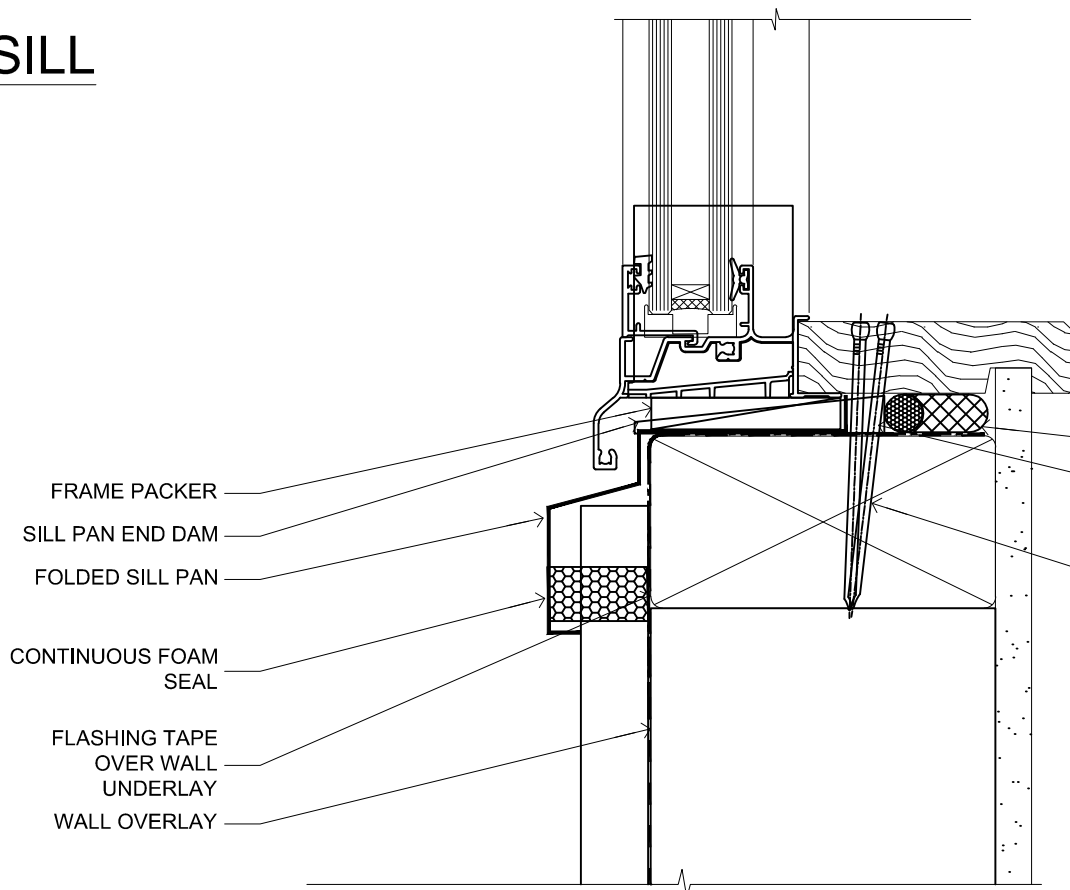
FIXINGS: PAIRS OF 75x3.15mm NAILS OR 1 X 8g 65MM SS SCREWS AT 150 FROM CORNERS AND 450 CENTRES

TEMPORARY FLAT PACKERS REMOVED FROM HEAD AFTER FIXING

WATER RESISTANT AIRSEAL ON PEF ROD



SILL



JAMB

WATER RESISTANT AIRSEAL ON PEF ROD

FLAT PACKERS

FIXINGS: PAIRS OF 75x3.15mm NAILS OR 1 X 8g 65MM SS SCREWS AT 150 FROM CORNERS AND 450 CENTRES

NOTE: RIGID AIR BARRIER IS REQUIRED BENEATH THE WALL UNDERLAY IN EXTRA HIGH WIND ZONES

WINDOW

FAIRVIEW SYSTEMS LIMITED SPECIFIERS GUIDE 2014 © TECHNICAL SPECIFICATIONS & PROFILE DETAILS SUBJECT TO CHANGE WITHOUT NOTICE

CLASSIC RESIDENTIAL 35, DIRECT FIX, VERTICAL
PROFILED METAL DETAILS

DATE
05.12.2014

SCALE
1:1

REF. CR35 VPM DF 01