

SECTION A-A

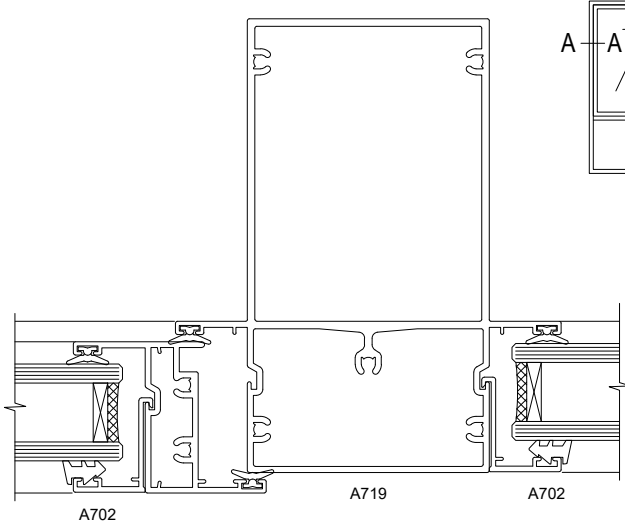
SECTION B-B

AWNING / CASEMENT WINDOW

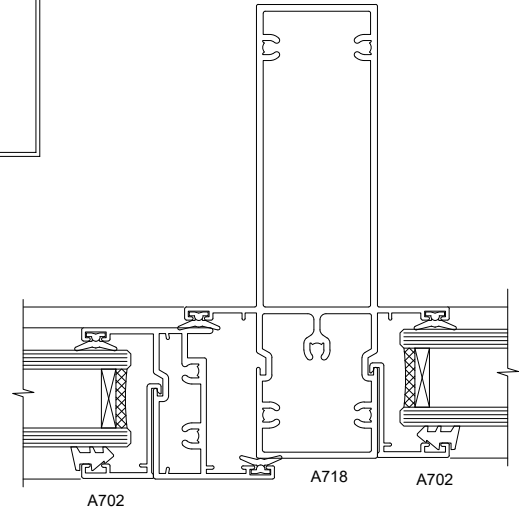
FAIRVIEW SYSTEMS LIMITED SPECIFIERS GUIDE 2014 © TECHNICAL SPECIFICATIONS & PROFILE DETAILS SUBJECT TO CHANGE WITHOUT NOTICE

ARCHITECTURAL CUBIC 40 COMPLETE SUITE

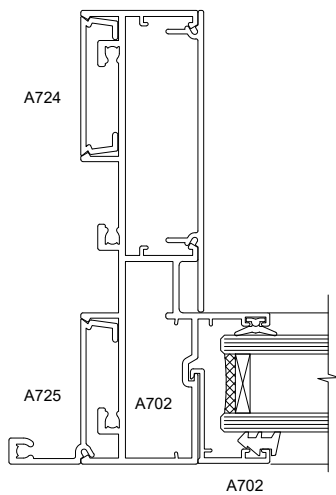
DATE 11.06.2018	SCALE 1:2
REF. AC40.0001	



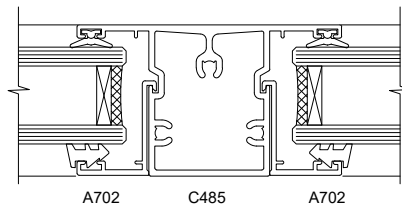
SECTION B-B



SECTION B-B



SECTION A-A



SECTION C-C

AWNING / CASEMENT WINDOW

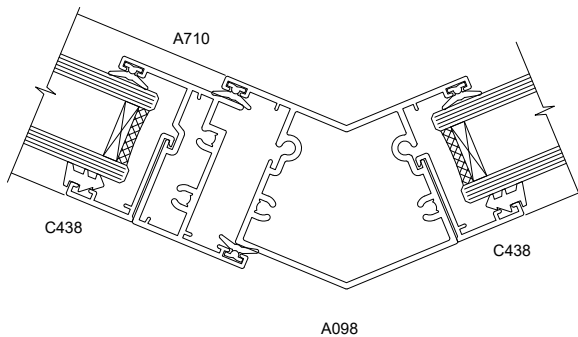
FAIRVIEW SYSTEMS LIMITED SPECIFIERS GUIDE 2014 © TECHNICAL SPECIFICATIONS & PROFILE DETAILS SUBJECT TO CHANGE WITHOUT NOTICE

ARCHITECTURAL CUBIC 40 COMPLETE SUITE

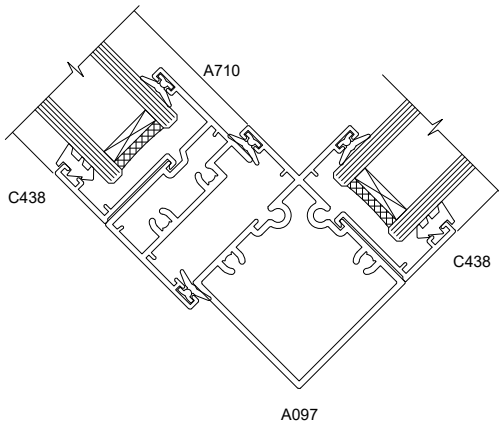
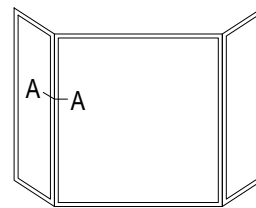
DATE
11.06.2018

SCALE
1:2

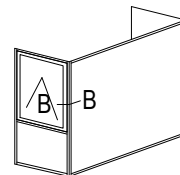
REF. AC40.0002



SECTION A-A



SECTION B-B

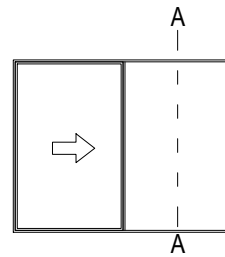
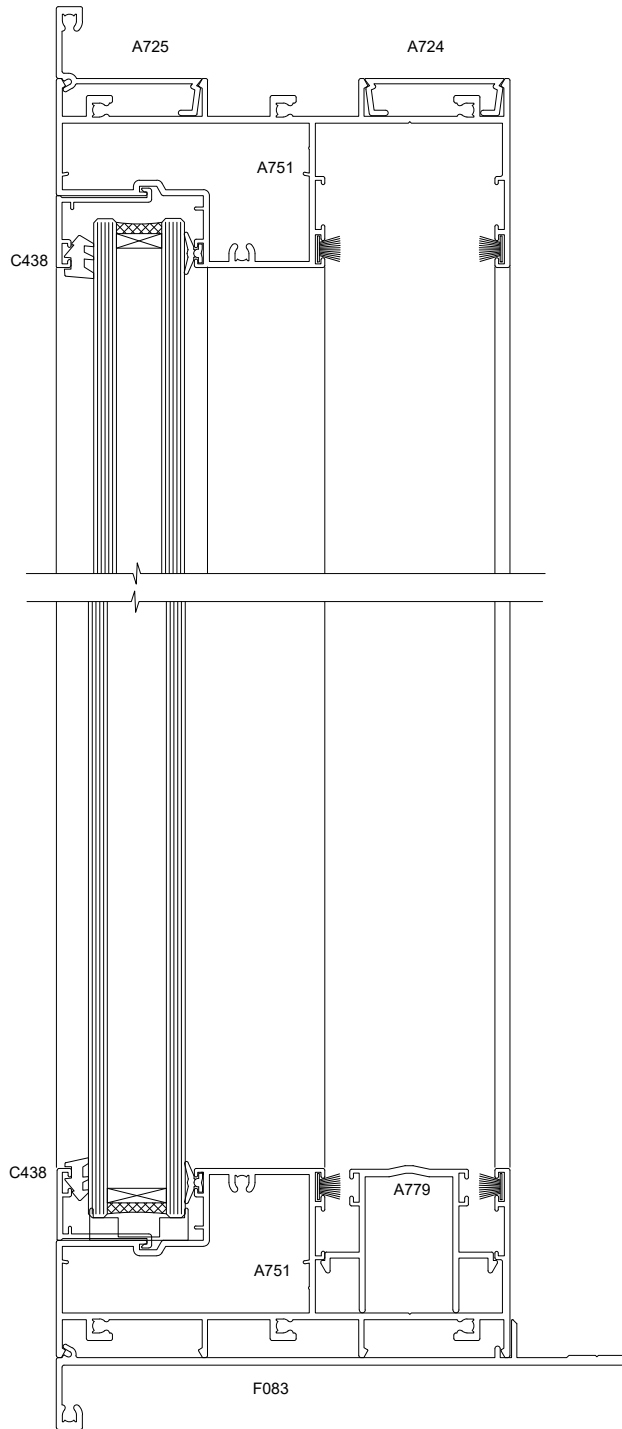


BOX & BAY WINDOW

FAIRVIEW SYSTEMS LIMITED SPECIFIERS GUIDE 2014 © TECHNICAL SPECIFICATIONS & PROFILE DETAILS SUBJECT TO CHANGE WITHOUT NOTICE

ARCHITECTURAL CUBIC 40 COMPLETE SUITE

DATE 11.06.2018	SCALE 1:2
REF. AC40.0003	



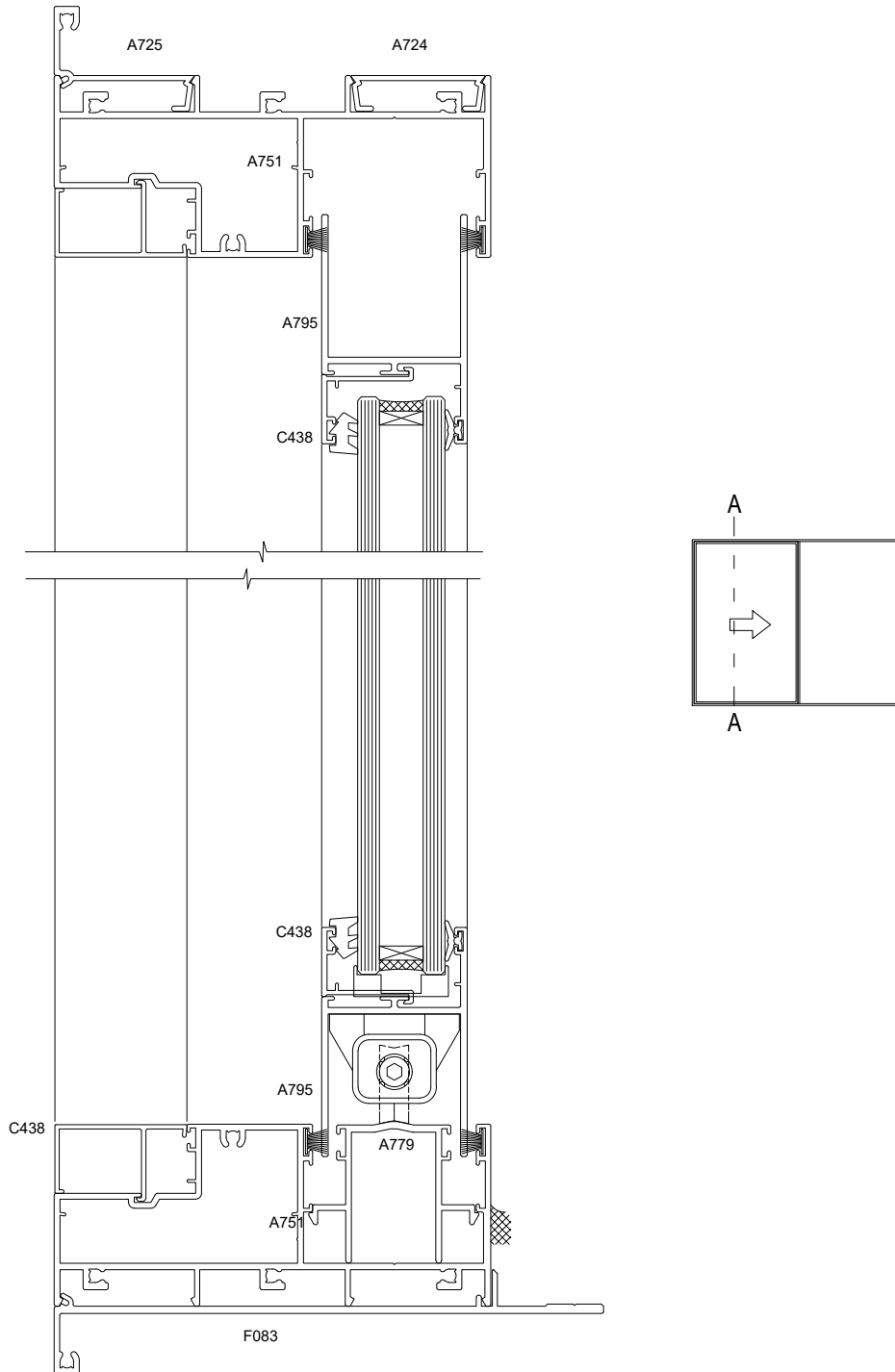
SECTION A-A

SLIDING WINDOW

FAIRVIEW SYSTEMS LIMITED SPECIFIERS GUIDE 2014 © TECHNICAL SPECIFICATIONS & PROFILE DETAILS SUBJECT TO CHANGE WITHOUT NOTICE

ARCHITECTURAL CUBIC 40 COMPLETE SUITE

DATE 11.06.2018	SCALE 1:2
REF. AC40.0011	



SECTION A-A

SLIDING WINDOW

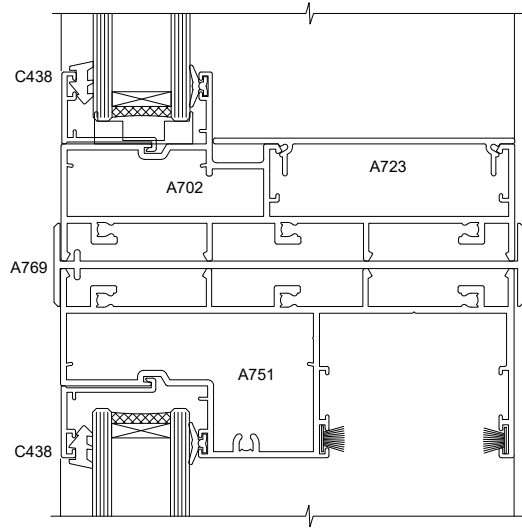
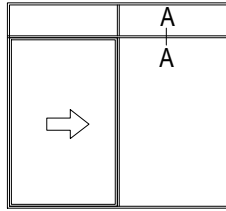
FAIRVIEW SYSTEMS LIMITED SPECIFIERS GUIDE 2014 © TECHNICAL SPECIFICATIONS & PROFILE DETAILS SUBJECT TO CHANGE WITHOUT NOTICE

ARCHITECTURAL CUBIC 40 COMPLETE SUITE

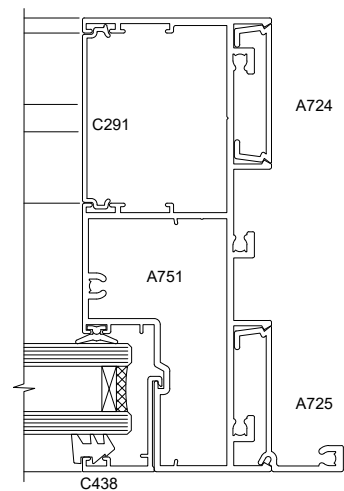
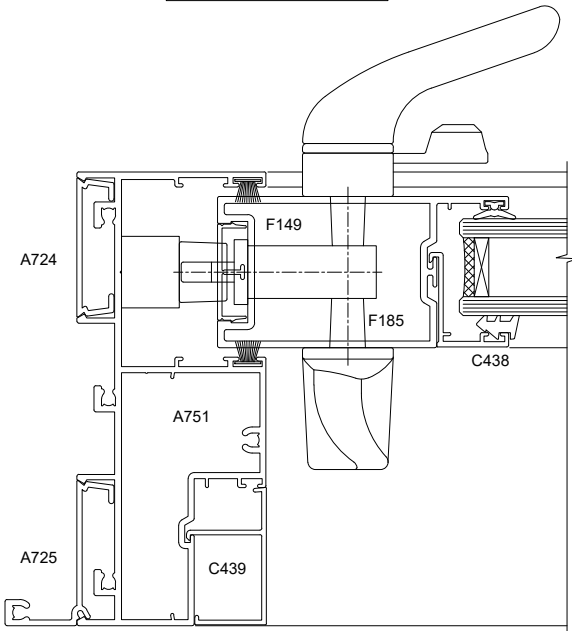
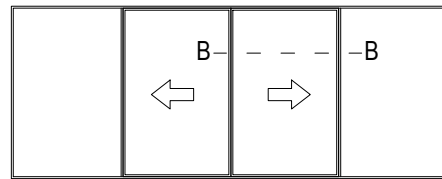
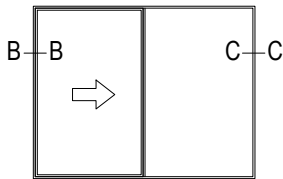
DATE
11.06.2018

SCALE
1:2

REF. AC40.0012



SECTION A-A



SECTION B-B

SLIDING WINDOW

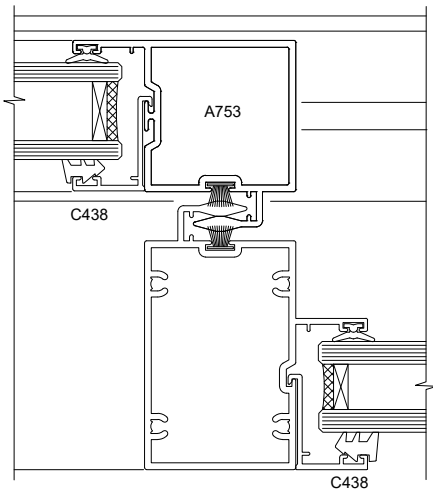
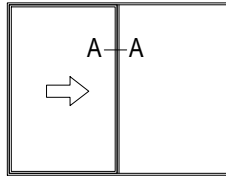
FAIRVIEW SYSTEMS LIMITED SPECIFIERS GUIDE 2014 © TECHNICAL SPECIFICATIONS & PROFILE DETAILS SUBJECT TO CHANGE WITHOUT NOTICE

ARCHITECTURAL CUBIC 40 COMPLETE SUITE

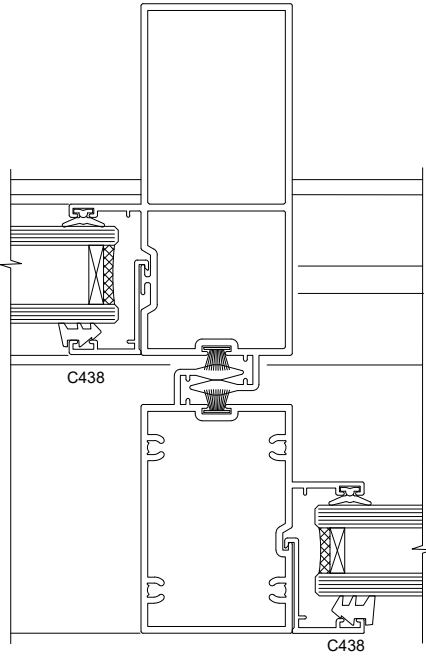
DATE
11.06.2018

SCALE
1:2

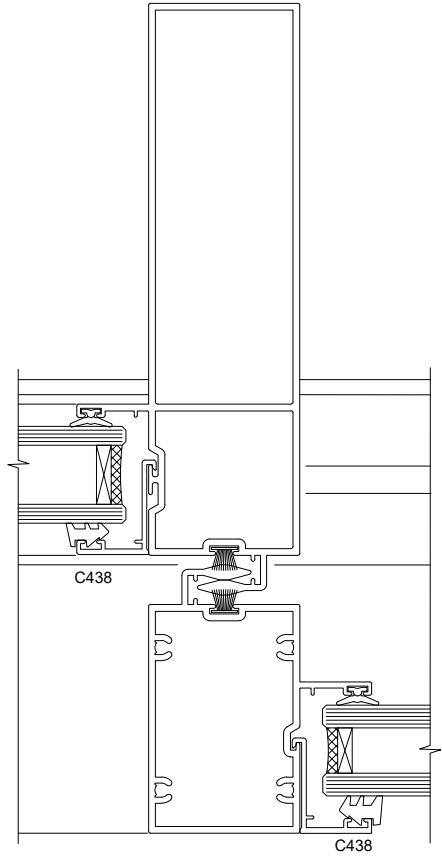
REF. AC40.0013



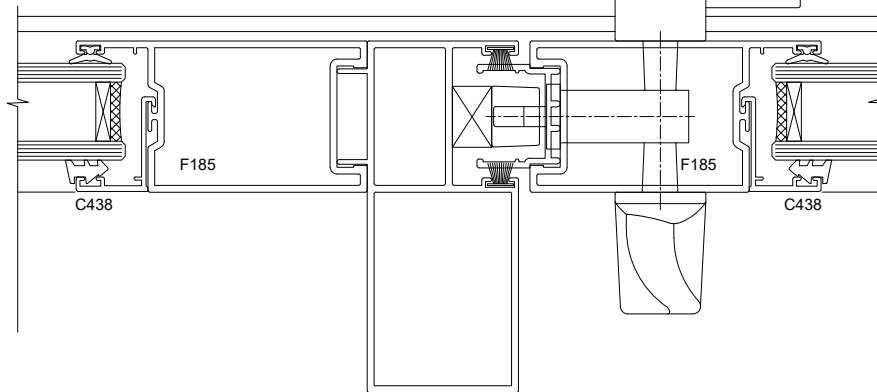
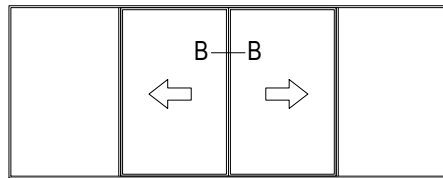
SECTION A-A



SECTION A-A



SECTION A-A



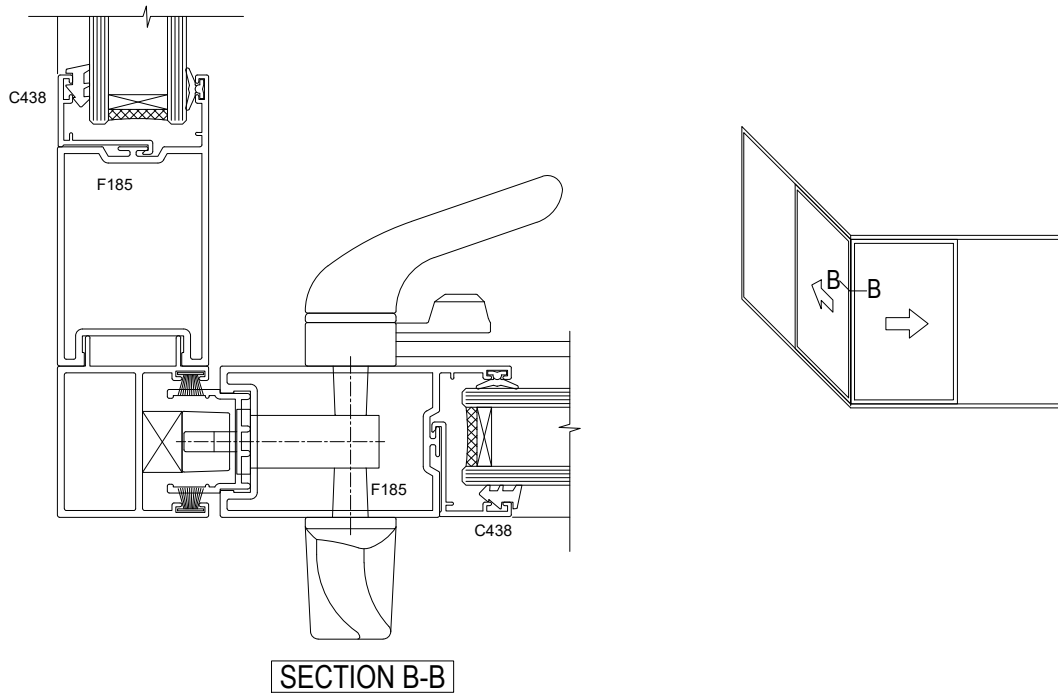
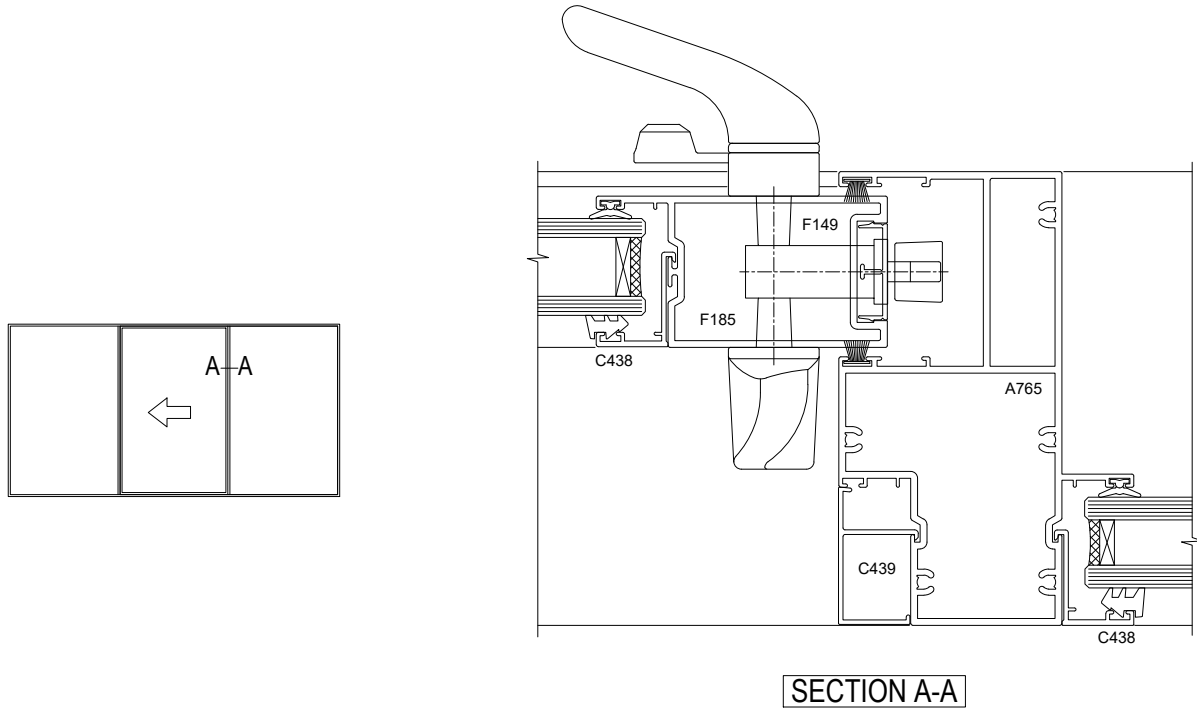
SECTION B-B

SLIDING WINDOW

FAIRVIEW SYSTEMS LIMITED SPECIFIERS GUIDE 2014 © TECHNICAL SPECIFICATIONS & PROFILE DETAILS SUBJECT TO CHANGE WITHOUT NOTICE

ARCHITECTURAL CUBIC 40 COMPLETE SUITE

DATE 11.06.2018	SCALE 1:2
REF. AC40.0014	

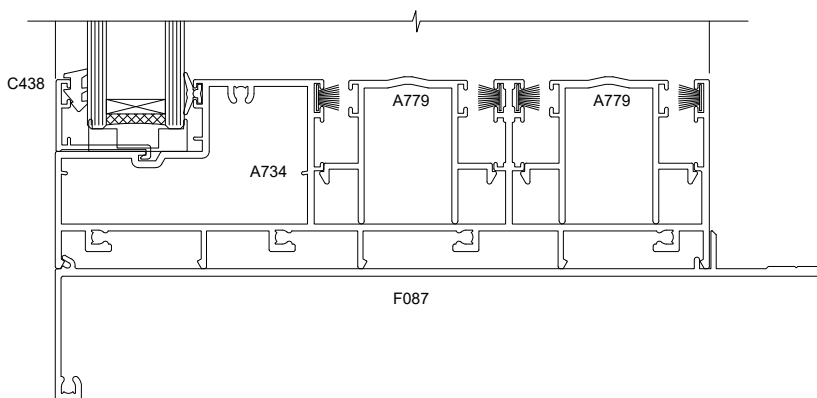
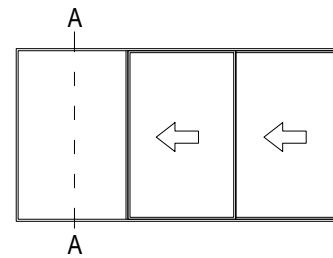
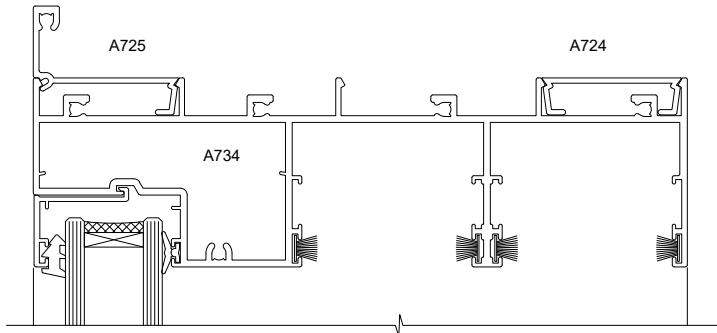


SLIDING WINDOW

FAIRVIEW SYSTEMS LIMITED SPECIFIERS GUIDE 2014 © TECHNICAL SPECIFICATIONS & PROFILE DETAILS SUBJECT TO CHANGE WITHOUT NOTICE

ARCHITECTURAL CUBIC 40 COMPLETE SUITE

DATE 11.06.2018	SCALE 1:2
REF. AC40.0015	



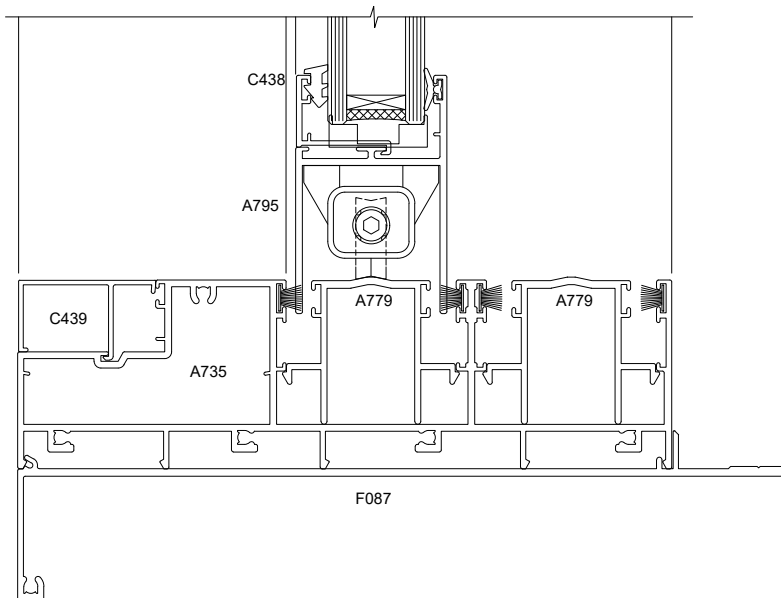
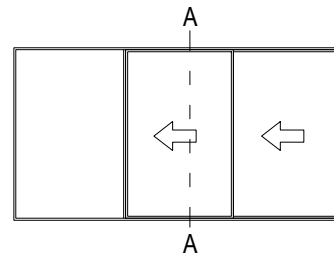
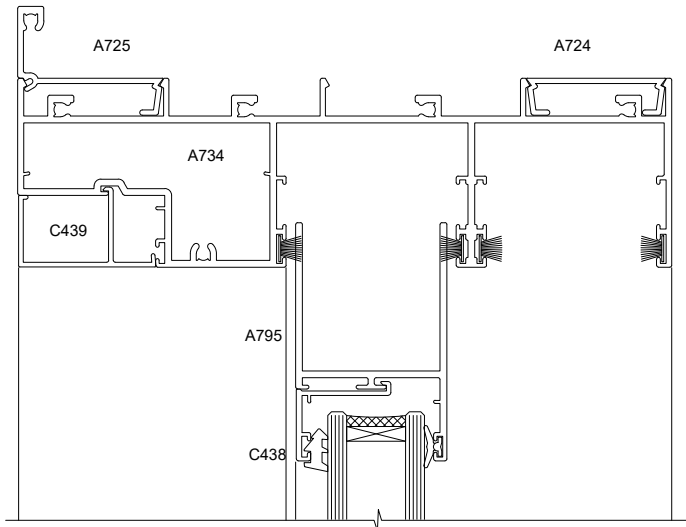
SECTION A-A

STACKING WINDOW

FAIRVIEW SYSTEMS LIMITED SPECIFIERS GUIDE 2014 © TECHNICAL SPECIFICATIONS & PROFILE DETAILS SUBJECT TO CHANGE WITHOUT NOTICE

ARCHITECTURAL CUBIC 40 COMPLETE SUITE

DATE 11.06.2018	SCALE 1:2
REF. AC40.0021	



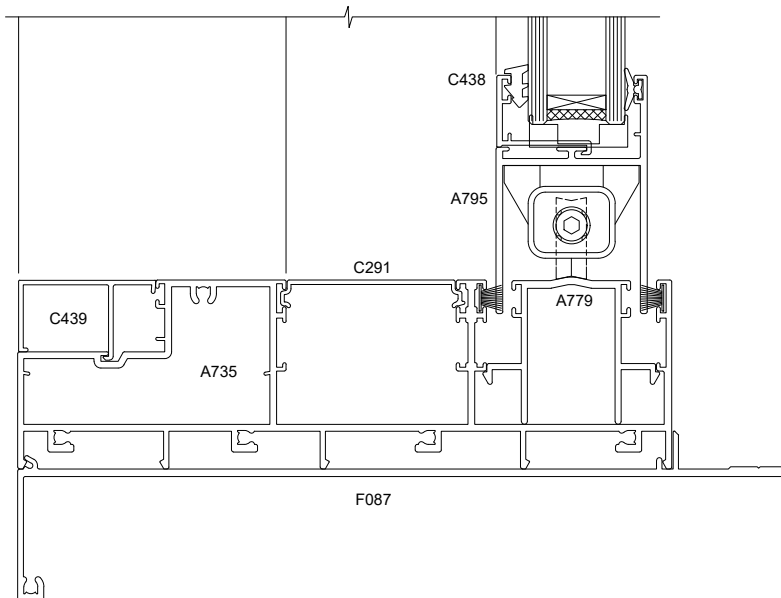
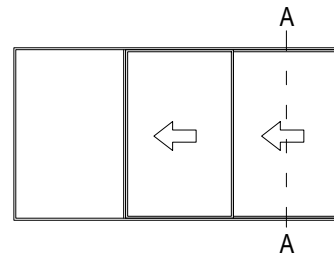
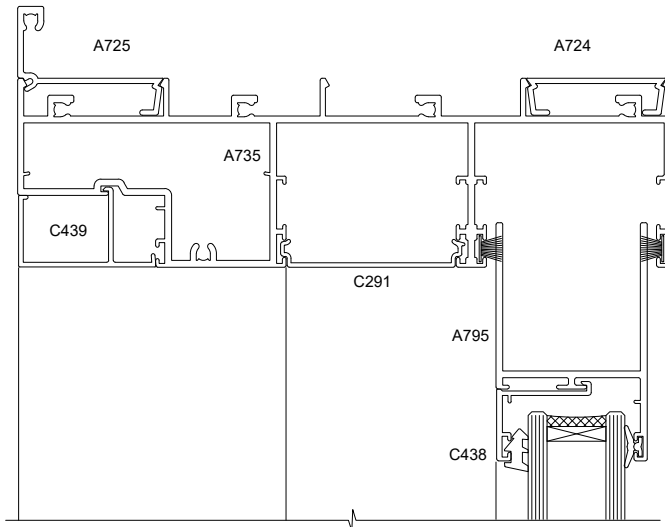
SECTION A-A

STACKING WINDOW

FAIRVIEW SYSTEMS LIMITED SPECIFIERS GUIDE 2014 © TECHNICAL SPECIFICATIONS & PROFILE DETAILS SUBJECT TO CHANGE WITHOUT NOTICE

ARCHITECTURAL CUBIC 40 COMPLETE SUITE

DATE 11.06.2018	SCALE 1:2
REF. AC40.0022	



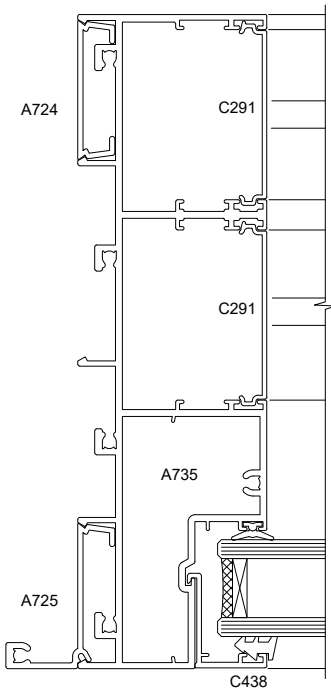
SECTION A-A

STACKING WINDOW

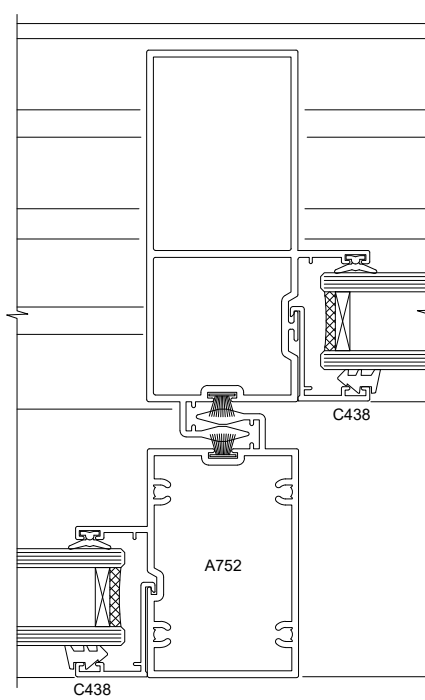
FAIRVIEW SYSTEMS LIMITED SPECIFIERS GUIDE 2014 © TECHNICAL SPECIFICATIONS & PROFILE DETAILS SUBJECT TO CHANGE WITHOUT NOTICE

ARCHITECTURAL CUBIC 40 COMPLETE SUITE

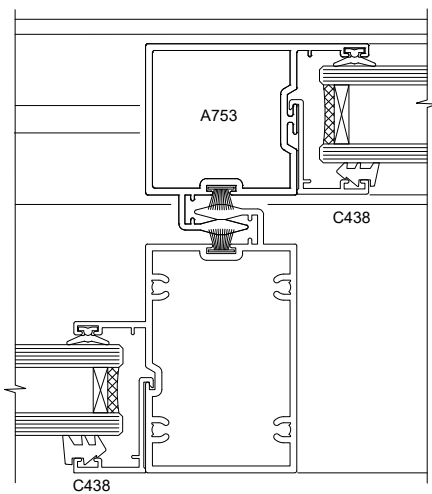
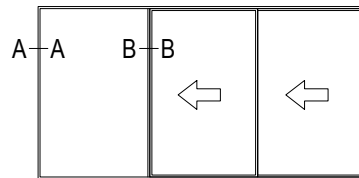
DATE 11.06.2018	SCALE 1:2
REF. AC40.0023	



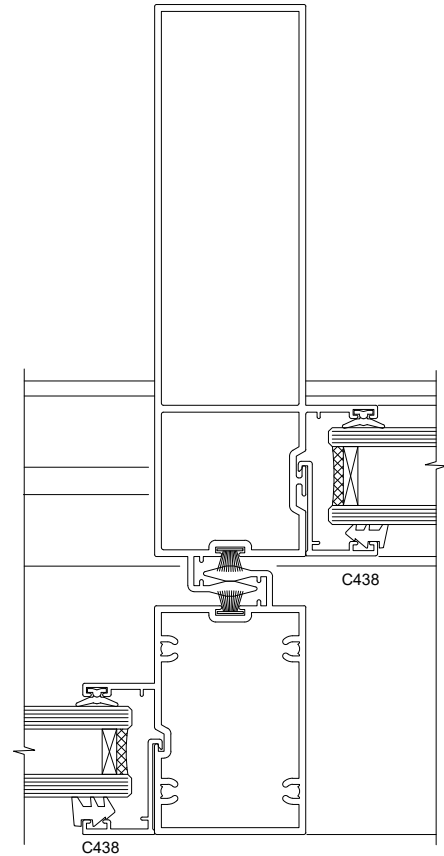
SECTION A-A



SECTION B-B



SECTION B-B



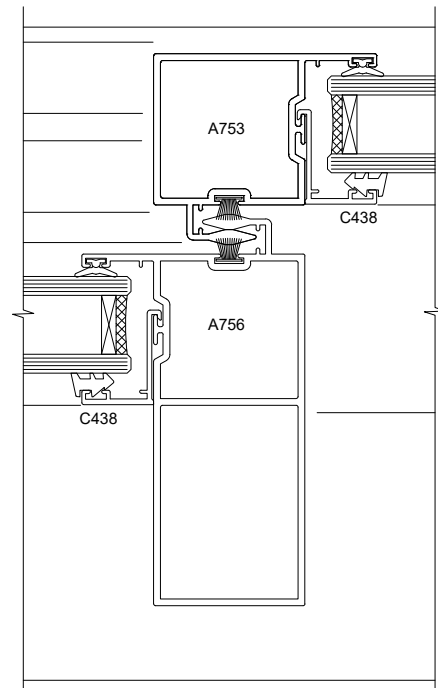
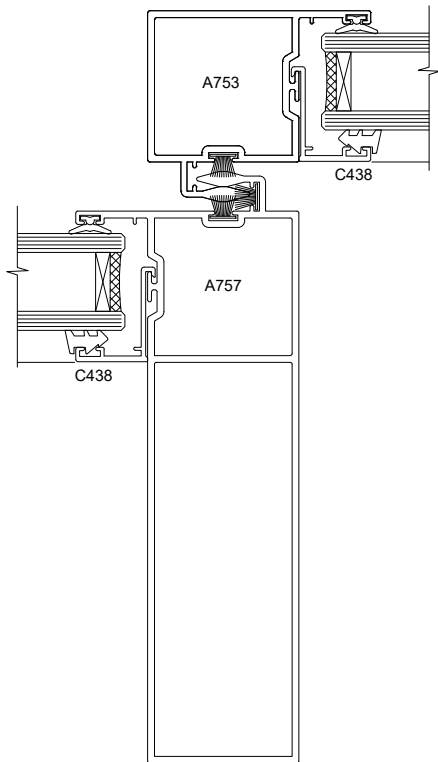
SECTION B-B

STACKING WINDOW

FAIRVIEW SYSTEMS LIMITED SPECIFIERS GUIDE 2014 © TECHNICAL SPECIFICATIONS & PROFILE DETAILS SUBJECT TO CHANGE WITHOUT NOTICE

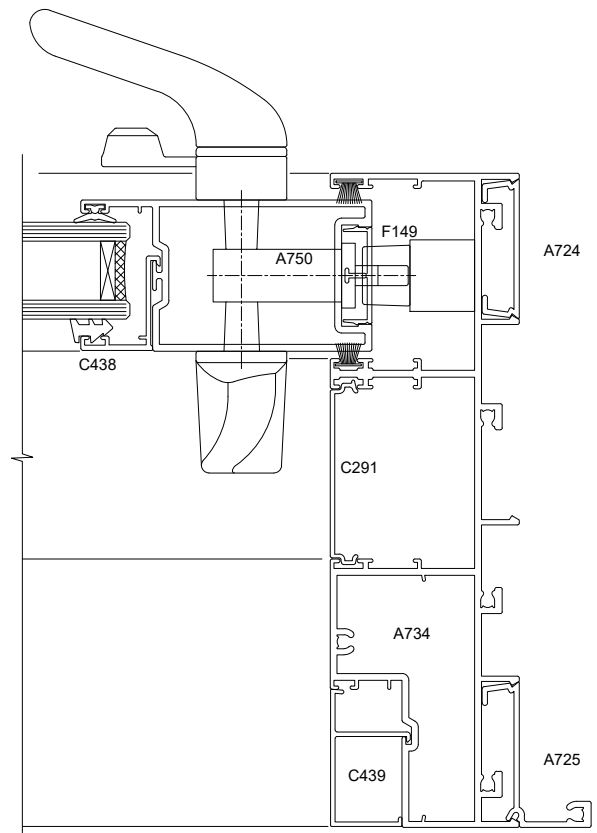
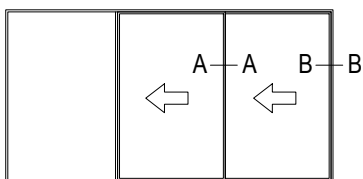
ARCHITECTURAL CUBIC 40 COMPLETE SUITE

DATE 11.06.2018	SCALE 1:2
REF. AC40.0024	



SECTION A-A

SECTION A-A



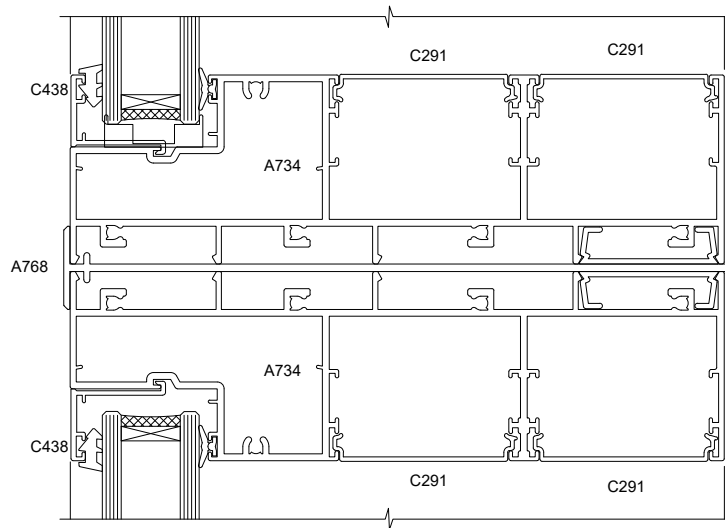
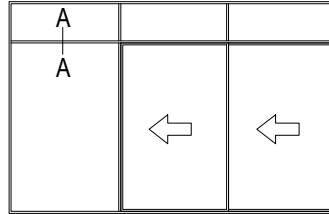
SECTION B-B

STACKING WINDOW

FAIRVIEW SYSTEMS LIMITED SPECIFIERS GUIDE 2014 © TECHNICAL SPECIFICATIONS & PROFILE DETAILS SUBJECT TO CHANGE WITHOUT NOTICE

ARCHITECTURAL CUBIC 40 COMPLETE SUITE

DATE 11.06.2018	SCALE 1:2
REF. AC40.0025	



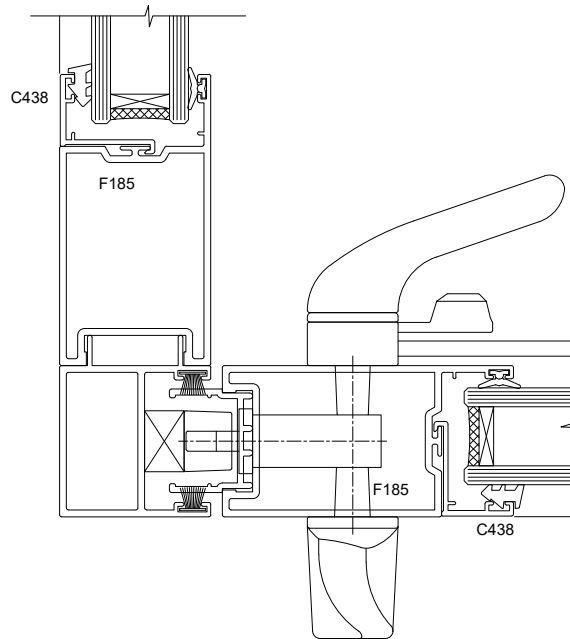
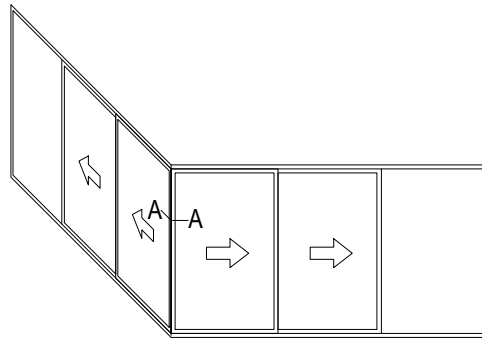
SECTION A-A

STACKING WINDOW

FAIRVIEW SYSTEMS LIMITED SPECIFIERS GUIDE 2014 © TECHNICAL SPECIFICATIONS & PROFILE DETAILS SUBJECT TO CHANGE WITHOUT NOTICE

ARCHITECTURAL CUBIC 40 COMPLETE SUITE

DATE 11.06.2018	SCALE 1:2
REF. AC40.0026	



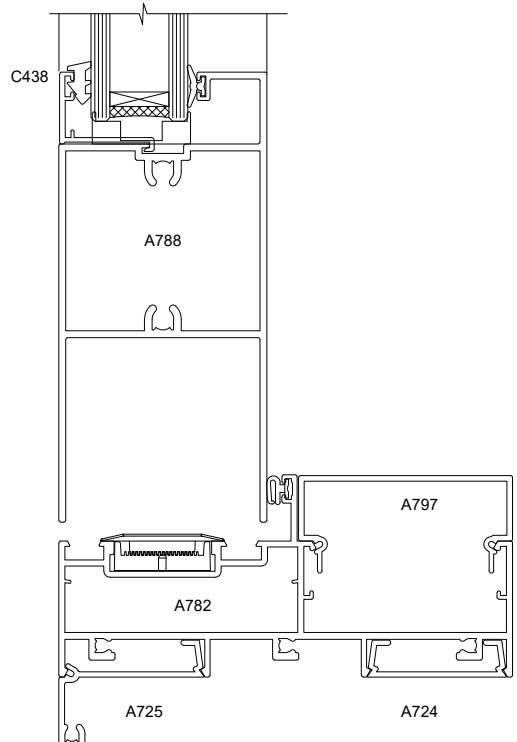
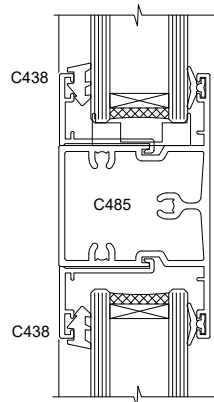
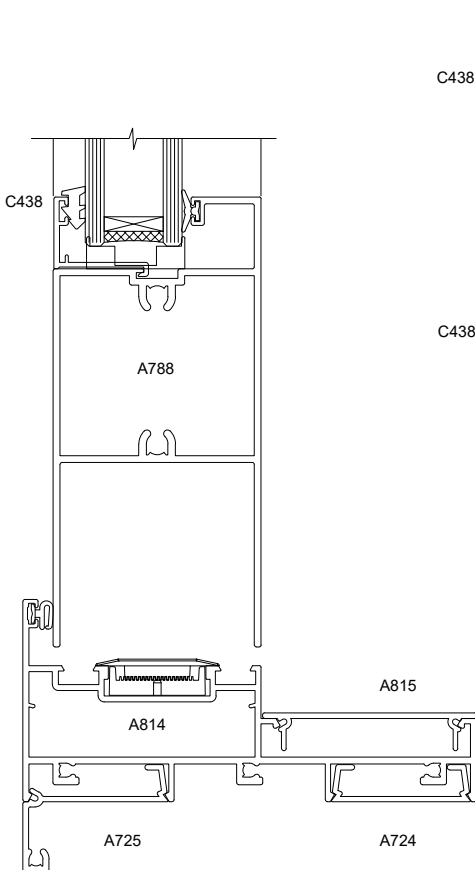
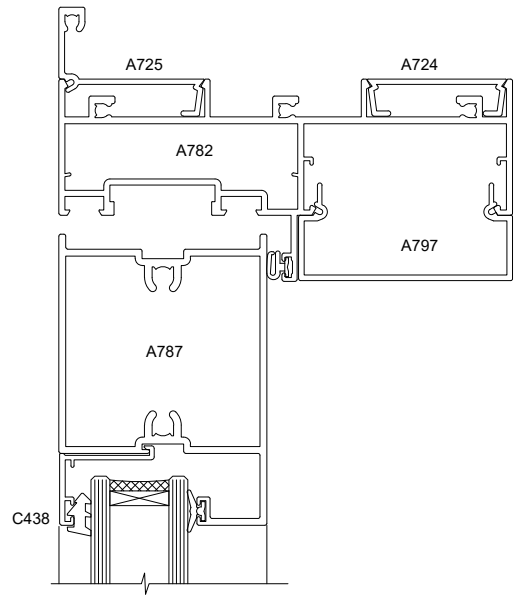
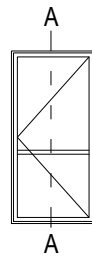
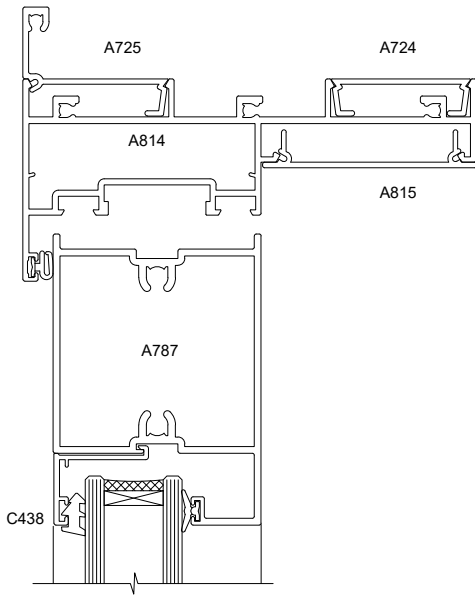
SECTION A-A

STACKING WINDOW

FAIRVIEW SYSTEMS LIMITED SPECIFIERS GUIDE 2014 © TECHNICAL SPECIFICATIONS & PROFILE DETAILS SUBJECT TO CHANGE WITHOUT NOTICE

ARCHITECTURAL CUBIC 40 COMPLETE SUITE

DATE 11.06.2018	SCALE 1:2
REF. AC40.0027	



SECTION A-A

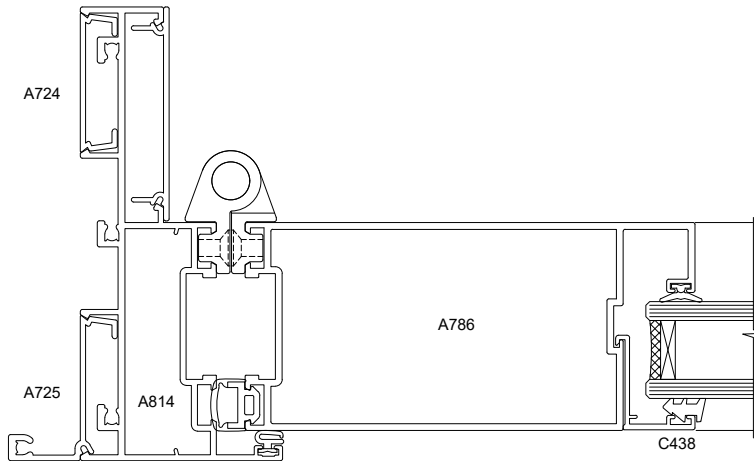
SECTION A-A

HINGED DOOR

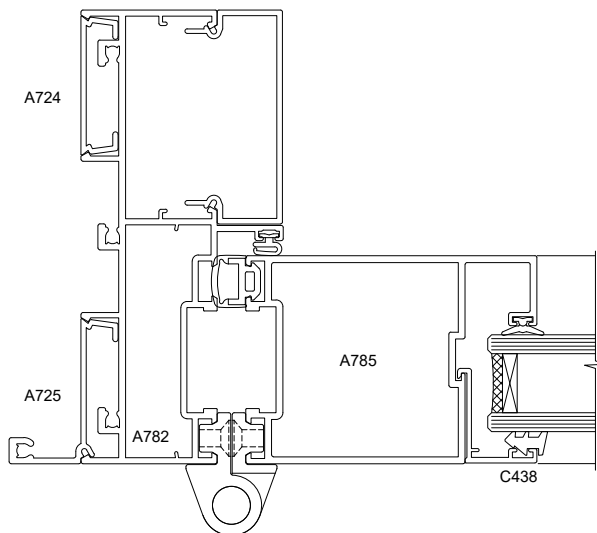
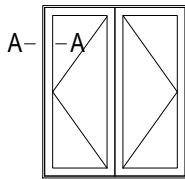
FAIRVIEW SYSTEMS LIMITED SPECIFIERS GUIDE 2014 © TECHNICAL SPECIFICATIONS & PROFILE DETAILS SUBJECT TO CHANGE WITHOUT NOTICE

ARCHITECTURAL CUBIC 40 COMPLETE SUITE

DATE 11.06.2018	SCALE 1:2
REF. AC40.0031	



SECTION A-A
WIDE STILE OPTION



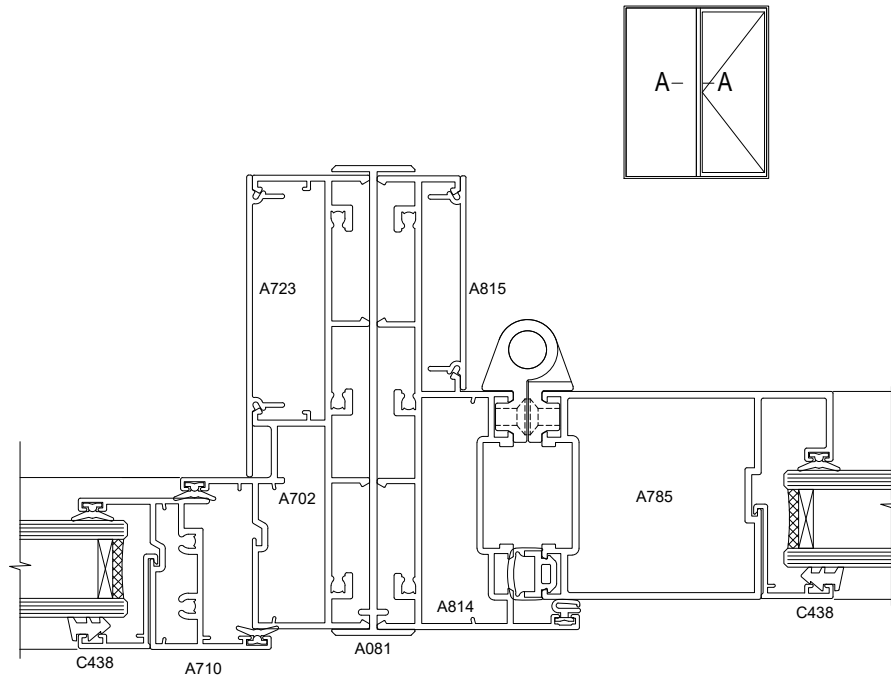
SECTION A-A
STANDARD STILE OPTION

HINGED DOOR

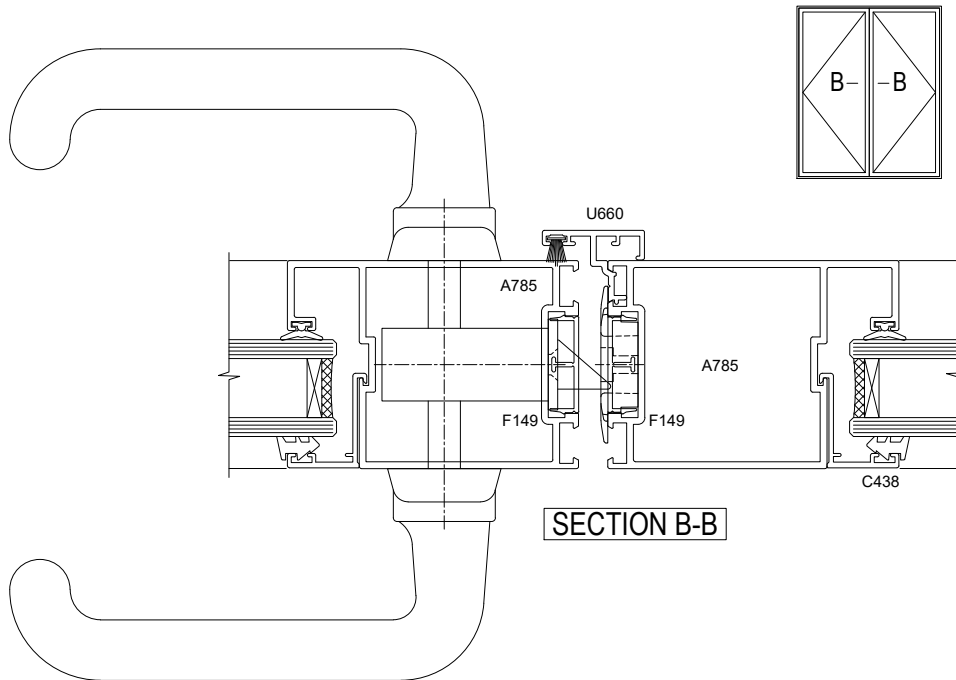
FAIRVIEW SYSTEMS LIMITED SPECIFIERS GUIDE 2014 © TECHNICAL SPECIFICATIONS & PROFILE DETAILS SUBJECT TO CHANGE WITHOUT NOTICE

ARCHITECTURAL CUBIC 40 COMPLETE SUITE

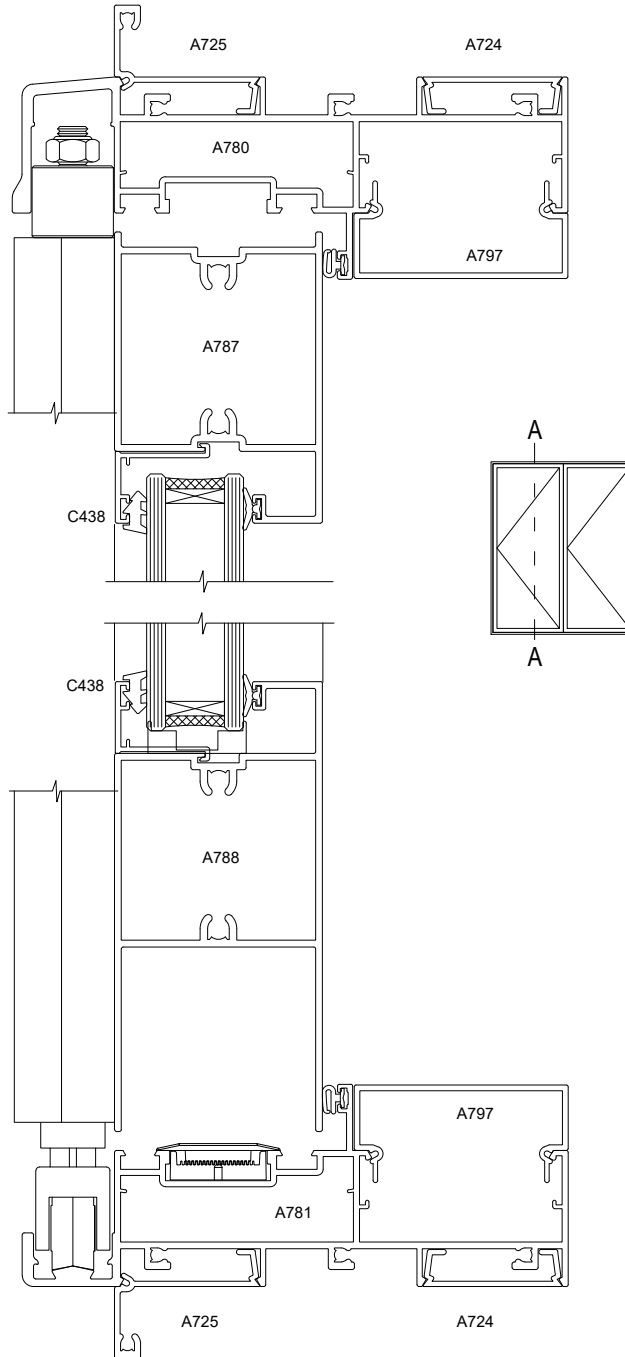
DATE 11.06.2018	SCALE 1:2
REF. AC40.0032	



SECTION A-A



SECTION B-B



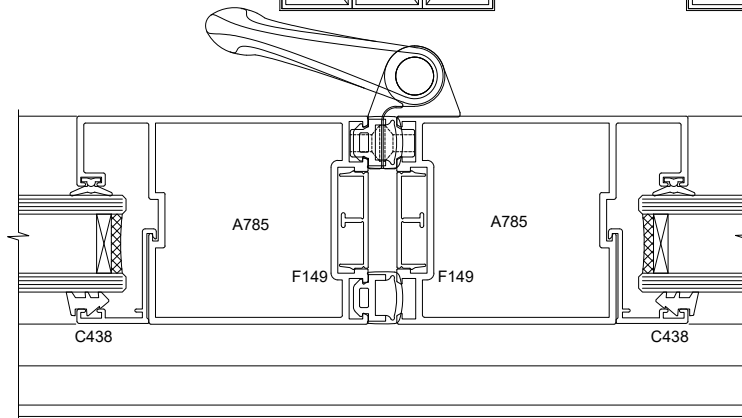
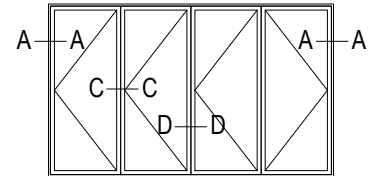
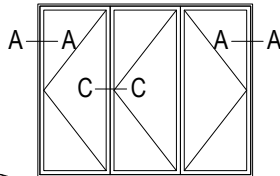
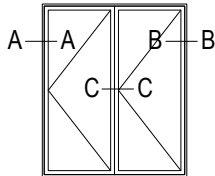
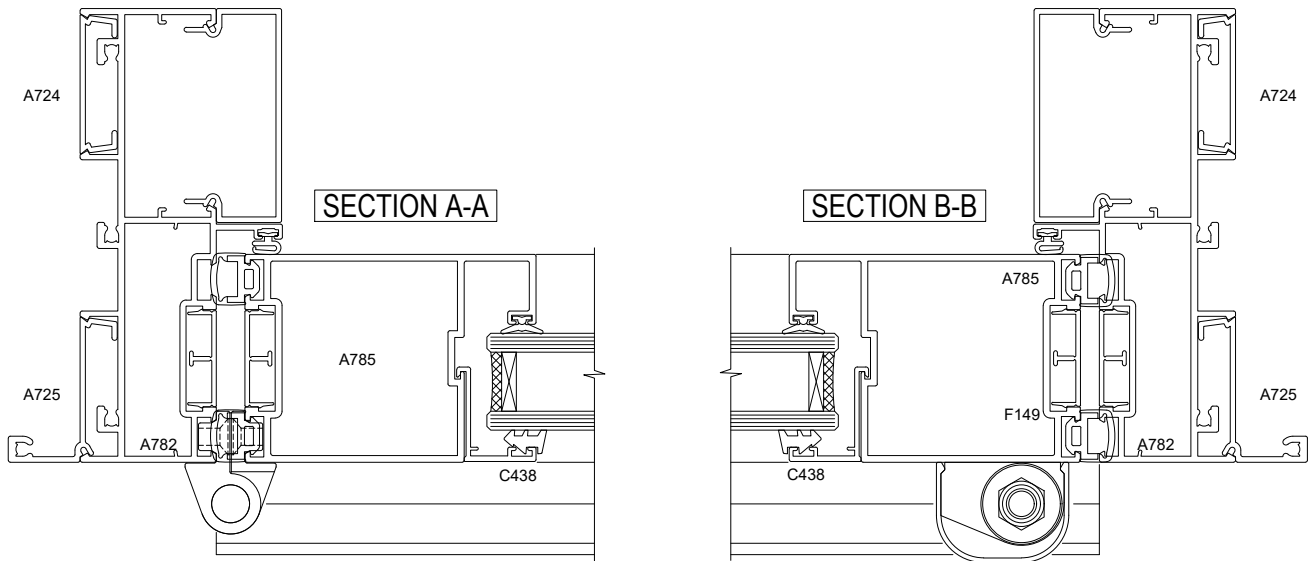
SECTION A-A

BOTTOM ROLLING BIFOLD DOOR

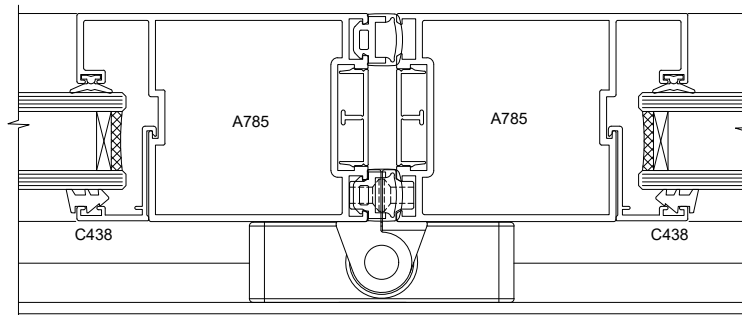
FAIRVIEW SYSTEMS LIMITED SPECIFIERS GUIDE 2014 © TECHNICAL SPECIFICATIONS & PROFILE DETAILS SUBJECT TO CHANGE WITHOUT NOTICE

ARCHITECTURAL CUBIC 40 COMPLETE SUITE

DATE 11.06.2018	SCALE 1:2
REF. AC40.0041	



SECTION C-C



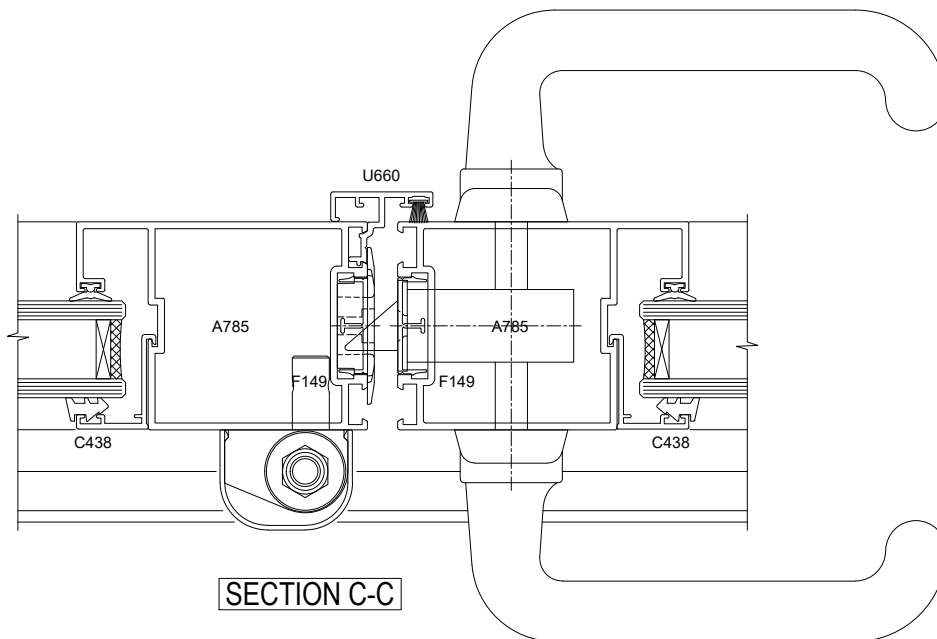
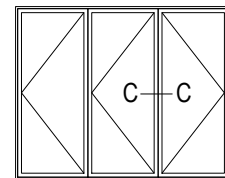
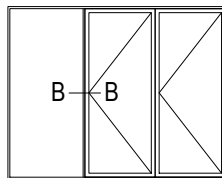
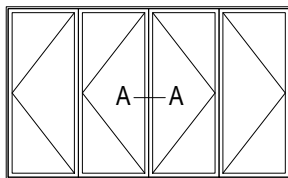
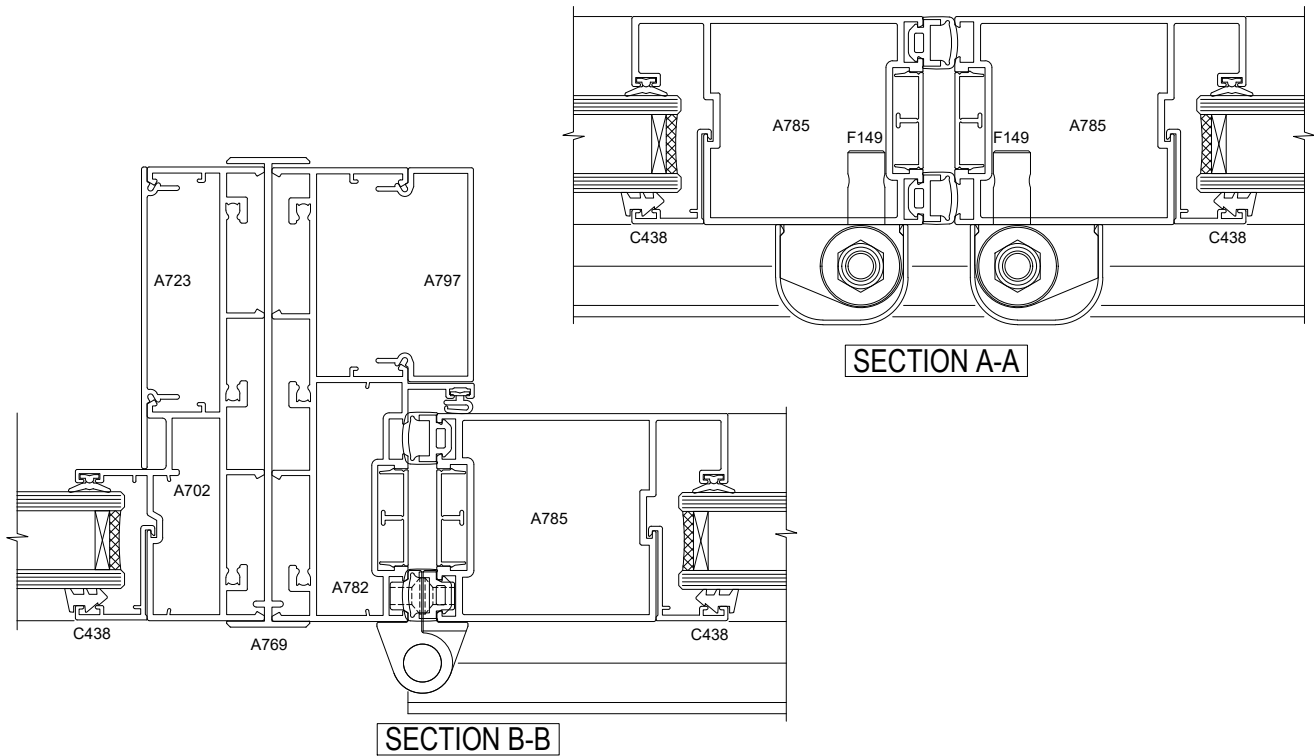
SECTION D-D

BOTTOM ROLLING BIFOLD DOOR

FAIRVIEW SYSTEMS LIMITED SPECIFIERS GUIDE 2014 © TECHNICAL SPECIFICATIONS & PROFILE DETAILS SUBJECT TO CHANGE WITHOUT NOTICE

ARCHITECTURAL CUBIC 40 COMPLETE SUITE

DATE 11.06.2018	SCALE 1:2
REF. AC40.0042	

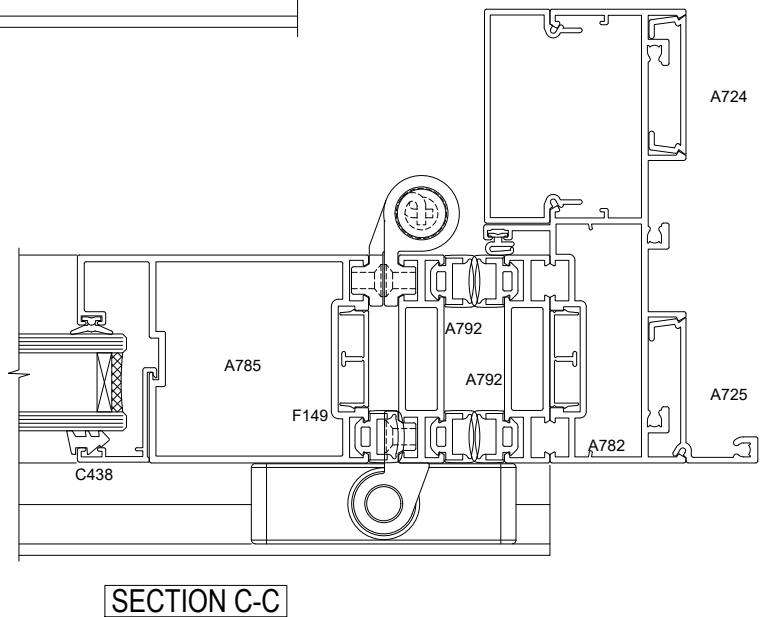
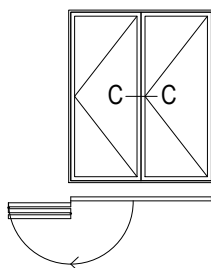
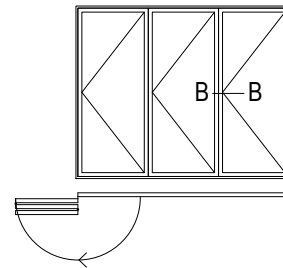
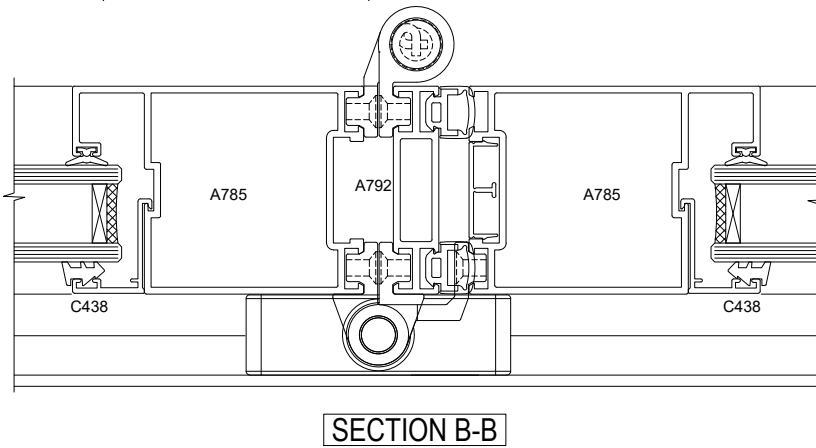
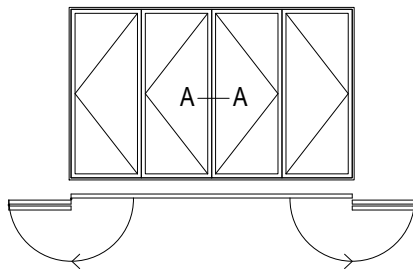
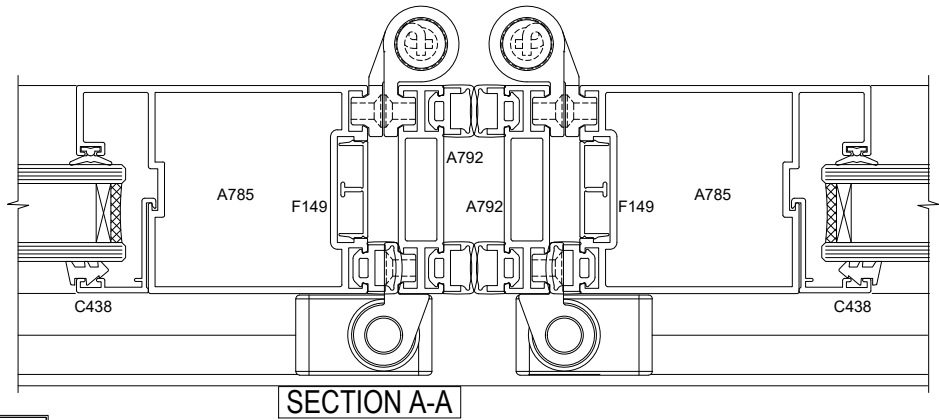


BOTTOM ROLLING BIFOLD DOOR

FAIRVIEW SYSTEMS LIMITED SPECIFIERS GUIDE 2014 © TECHNICAL SPECIFICATIONS & PROFILE DETAILS SUBJECT TO CHANGE WITHOUT NOTICE

ARCHITECTURAL CUBIC 40 COMPLETE SUITE

DATE 11.06.2018	SCALE 1:2
REF. AC40.0043	



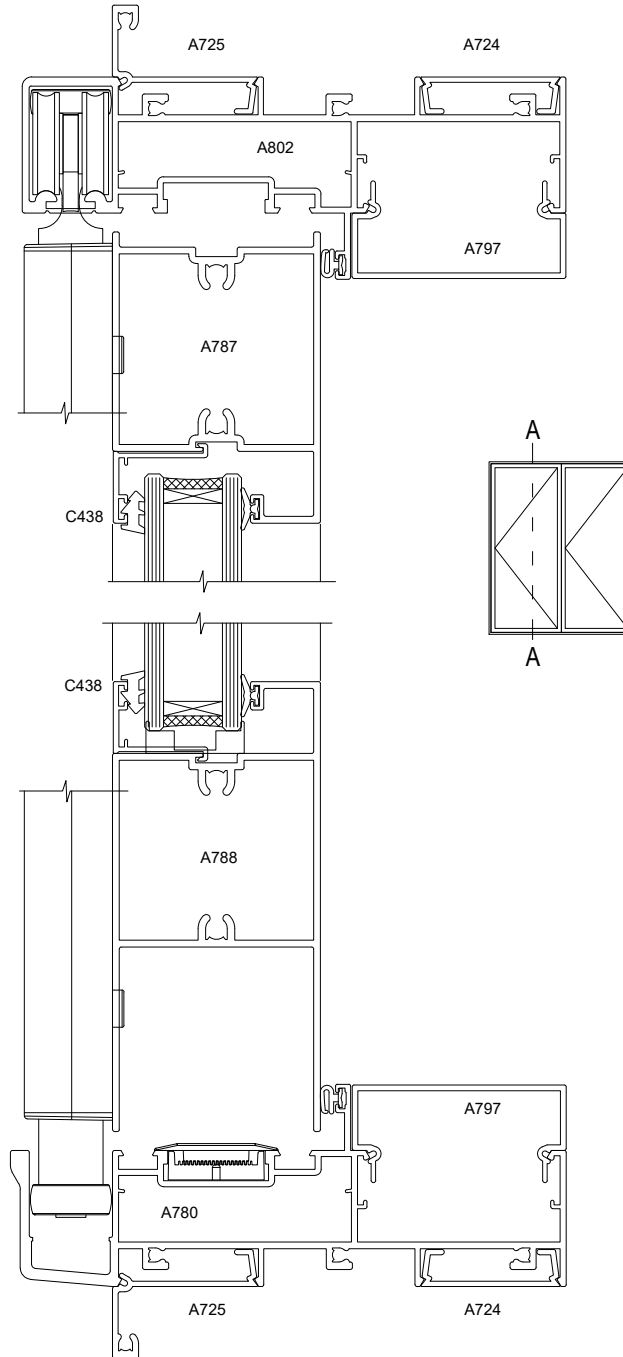
FREEFOLD

BOTTOM ROLLING BIFOLD DOOR

FAIRVIEW SYSTEMS LIMITED SPECIFIERS GUIDE 2014 © TECHNICAL SPECIFICATIONS & PROFILE DETAILS SUBJECT TO CHANGE WITHOUT NOTICE

ARCHITECTURAL CUBIC 40 COMPLETE SUITE

DATE 11.06.2018	SCALE 1:2
REF. AC40.0044	



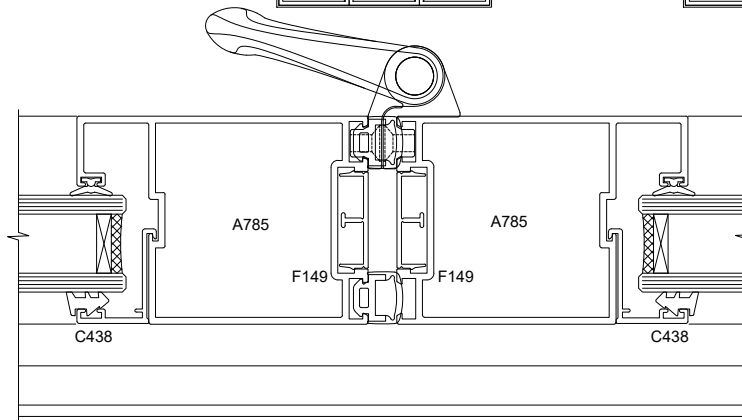
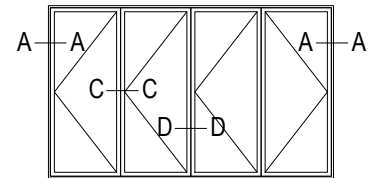
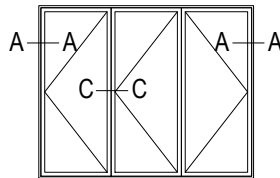
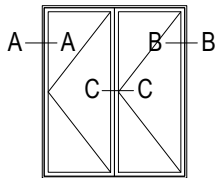
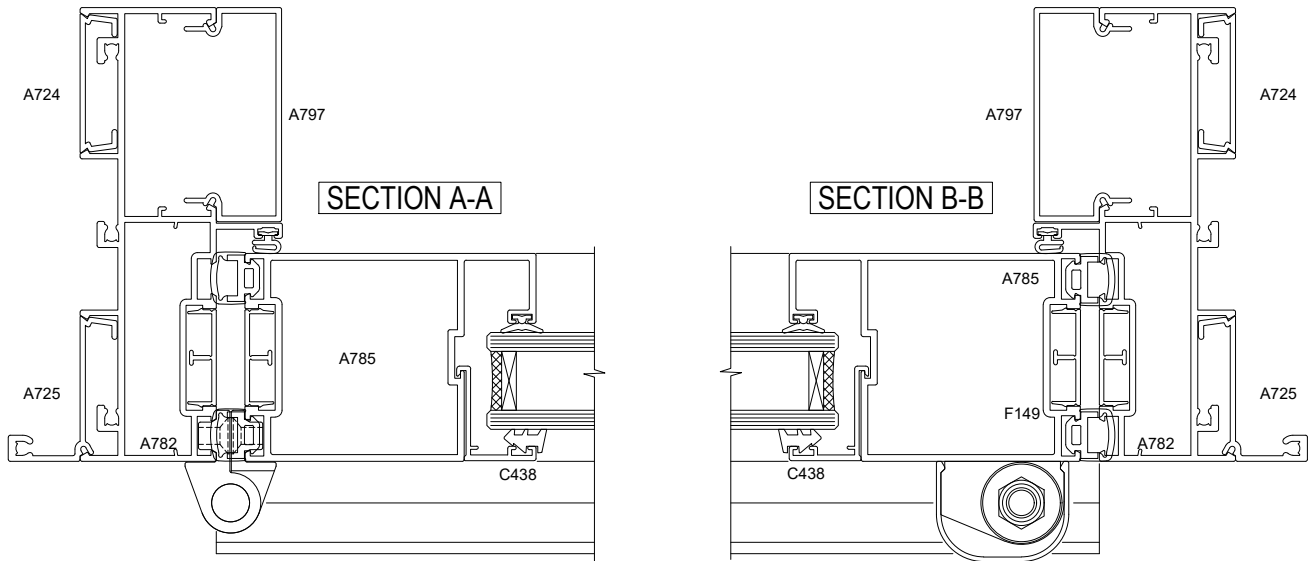
SECTION A-A

TOP HUNG CHANEL GUIDE BIFOLD DOOR

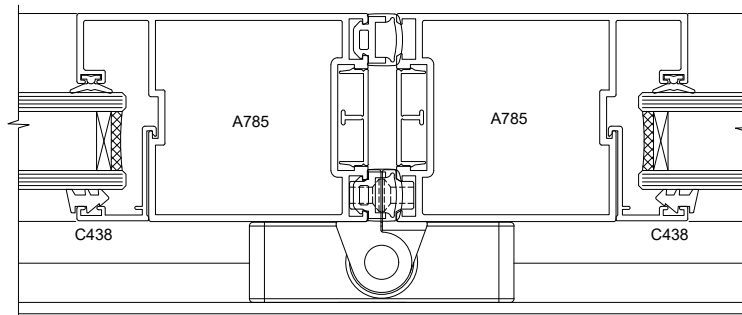
FAIRVIEW SYSTEMS LIMITED SPECIFIERS GUIDE 2014 © TECHNICAL SPECIFICATIONS & PROFILE DETAILS SUBJECT TO CHANGE WITHOUT NOTICE

ARCHITECTURAL CUBIC 40 COMPLETE SUITE

DATE 11.06.2018	SCALE 1:2
REF. AC40.0051	



SECTION C-C



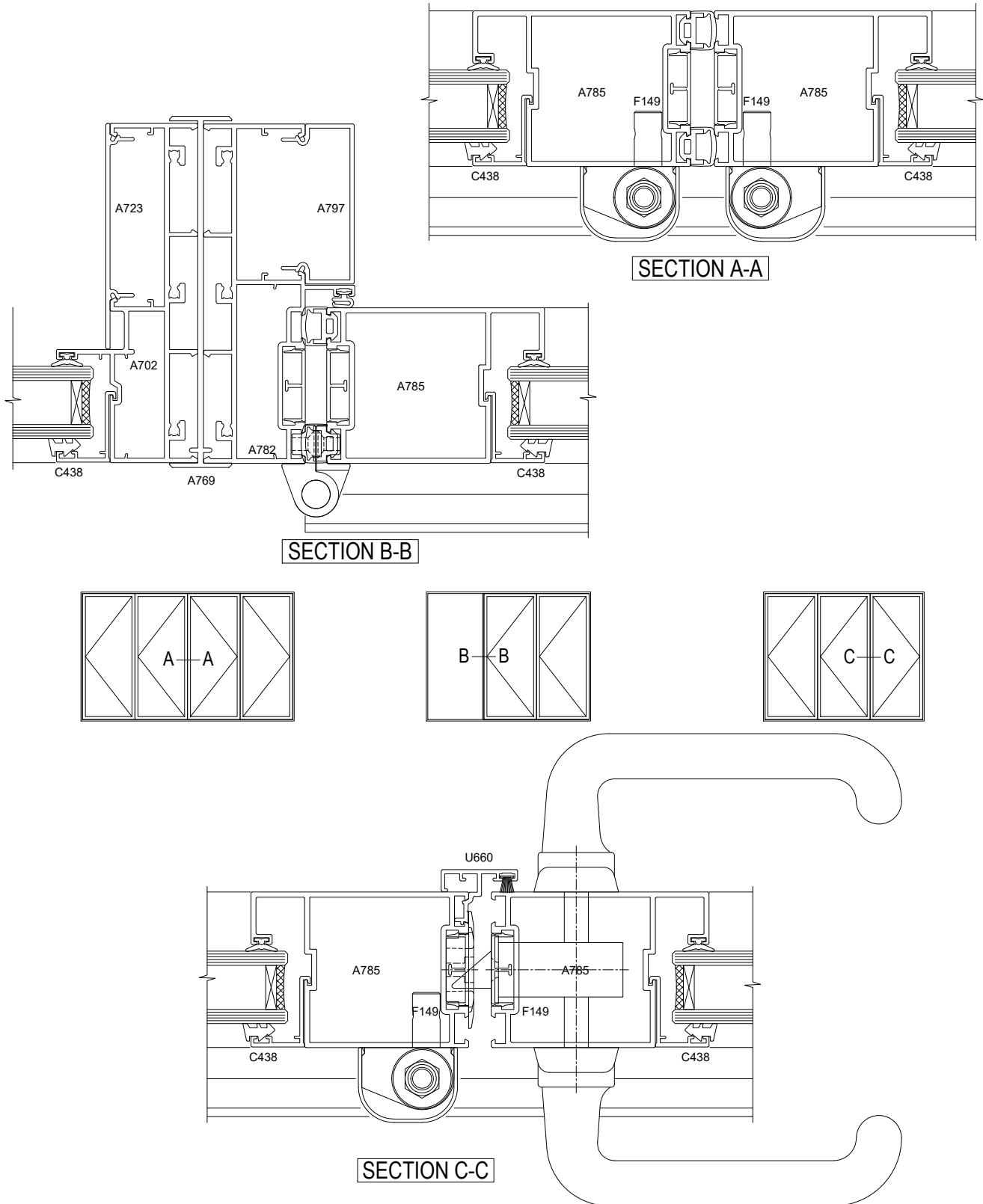
SECTION D-D

TOP HUNG CHANEL GUIDE BIFOLD DOOR

FAIRVIEW SYSTEMS LIMITED SPECIFIERS GUIDE 2014 © TECHNICAL SPECIFICATIONS & PROFILE DETAILS SUBJECT TO CHANGE WITHOUT NOTICE

ARCHITECTURAL CUBIC 40 COMPLETE SUITE

DATE 11.06.2018	SCALE 1:2
REF. AC40.0052	

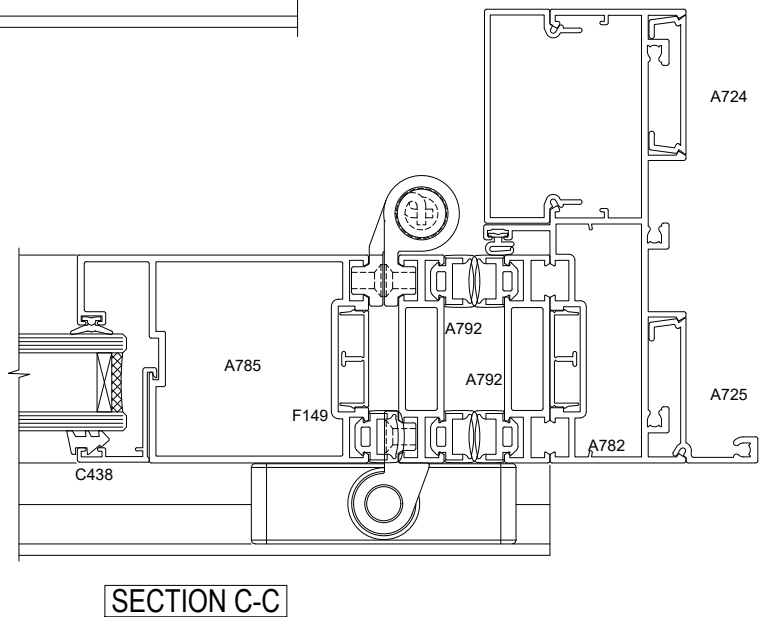
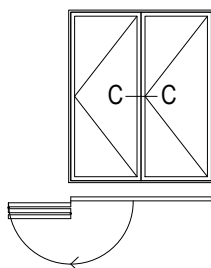
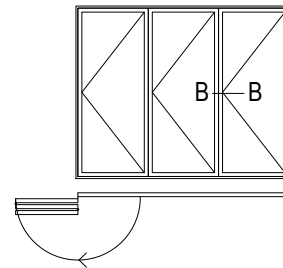
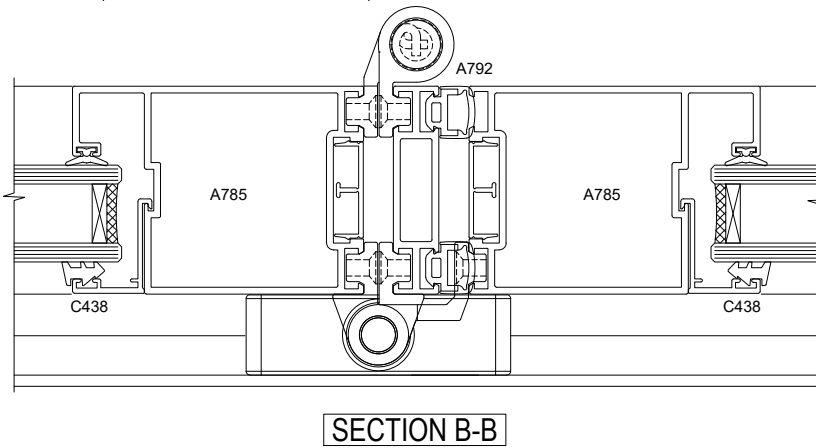
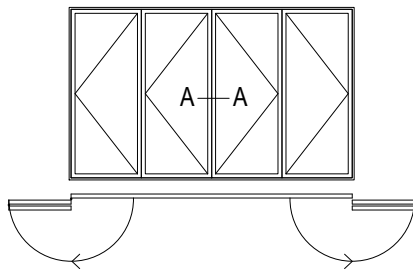
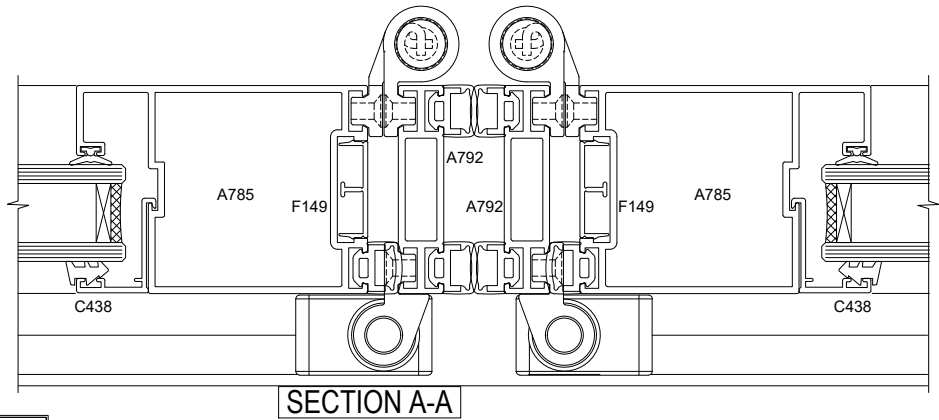


TOP HUNG CHANEL GUIDE BIFOLD DOOR

FAIRVIEW SYSTEMS LIMITED SPECIFIERS GUIDE 2014 © TECHNICAL SPECIFICATIONS & PROFILE DETAILS SUBJECT TO CHANGE WITHOUT NOTICE

ARCHITECTURAL CUBIC 40 COMPLETE SUITE

DATE 11.06.2018	SCALE 1:2
REF. AC40.0053	



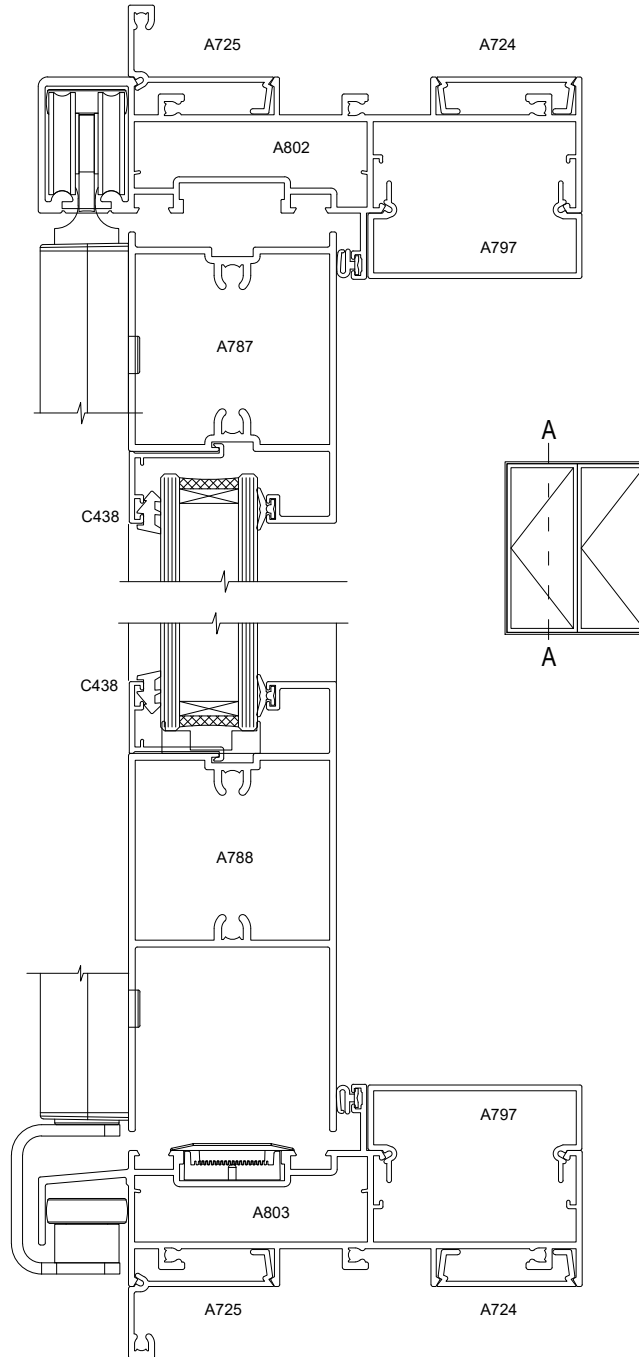
FREEFOLD

TOP HUNG CHANEL GUIDE BIFOLD DOOR

FAIRVIEW SYSTEMS LIMITED SPECIFIERS GUIDE 2014 © TECHNICAL SPECIFICATIONS & PROFILE DETAILS SUBJECT TO CHANGE WITHOUT NOTICE

ARCHITECTURAL CUBIC 40 COMPLETE SUITE

DATE 11.06.2018	SCALE 1:2
REF. AC40.0054	



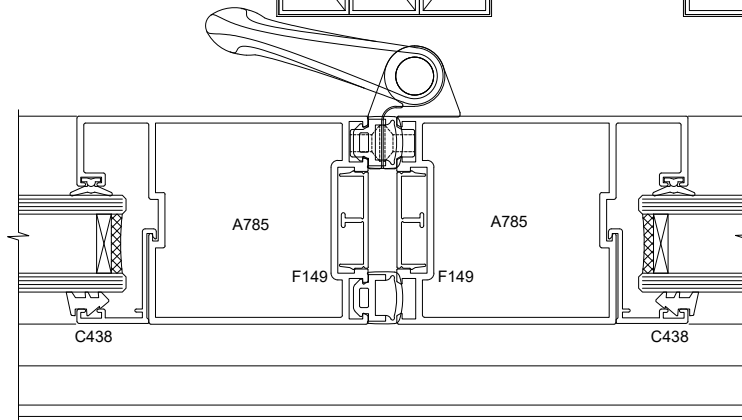
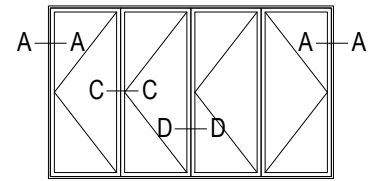
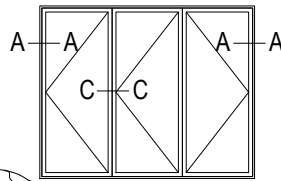
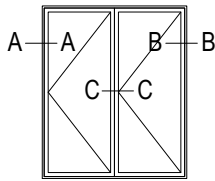
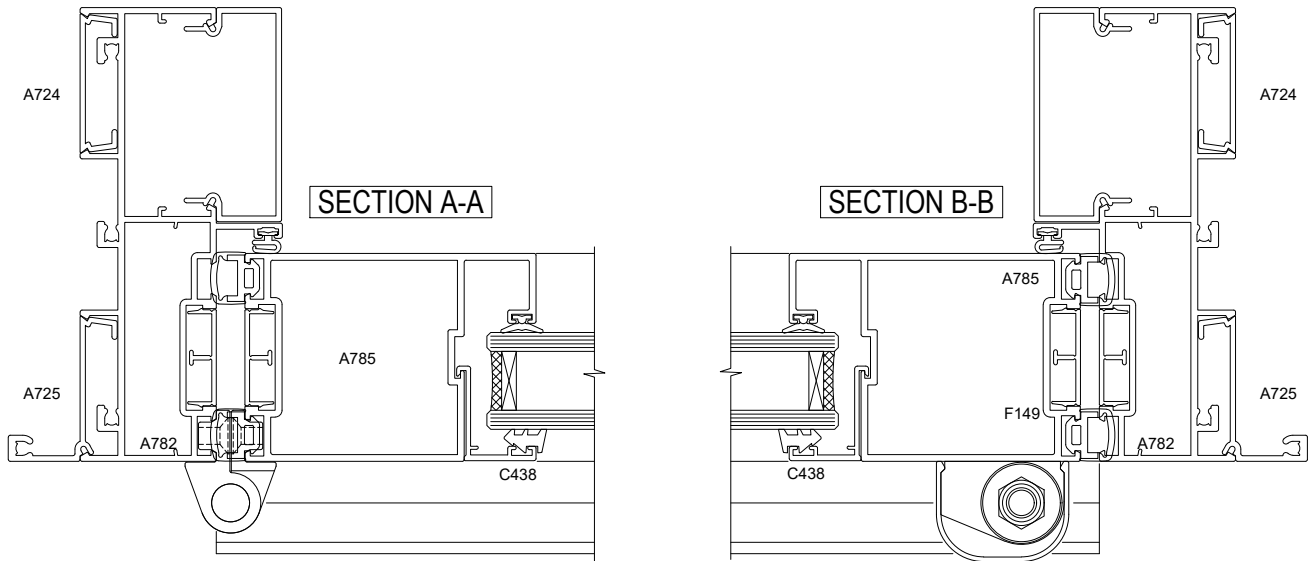
SECTION A-A

TOP HUNG HOODED GUIDE BIFOLD DOOR

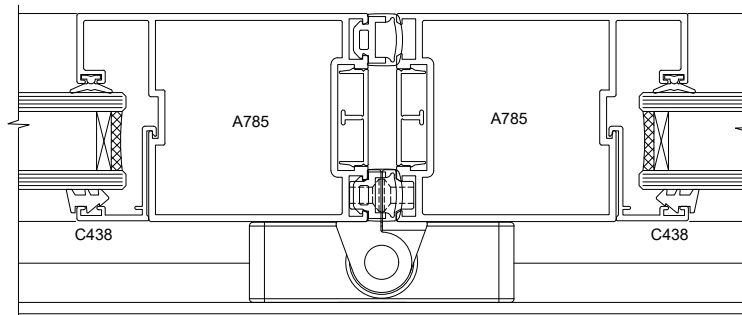
FAIRVIEW SYSTEMS LIMITED SPECIFIERS GUIDE 2014 © TECHNICAL SPECIFICATIONS & PROFILE DETAILS SUBJECT TO CHANGE WITHOUT NOTICE

ARCHITECTURAL CUBIC 40 COMPLETE SUITE

DATE 11.06.2018	SCALE 1:2
REF. AC40.0061	



SECTION C-C



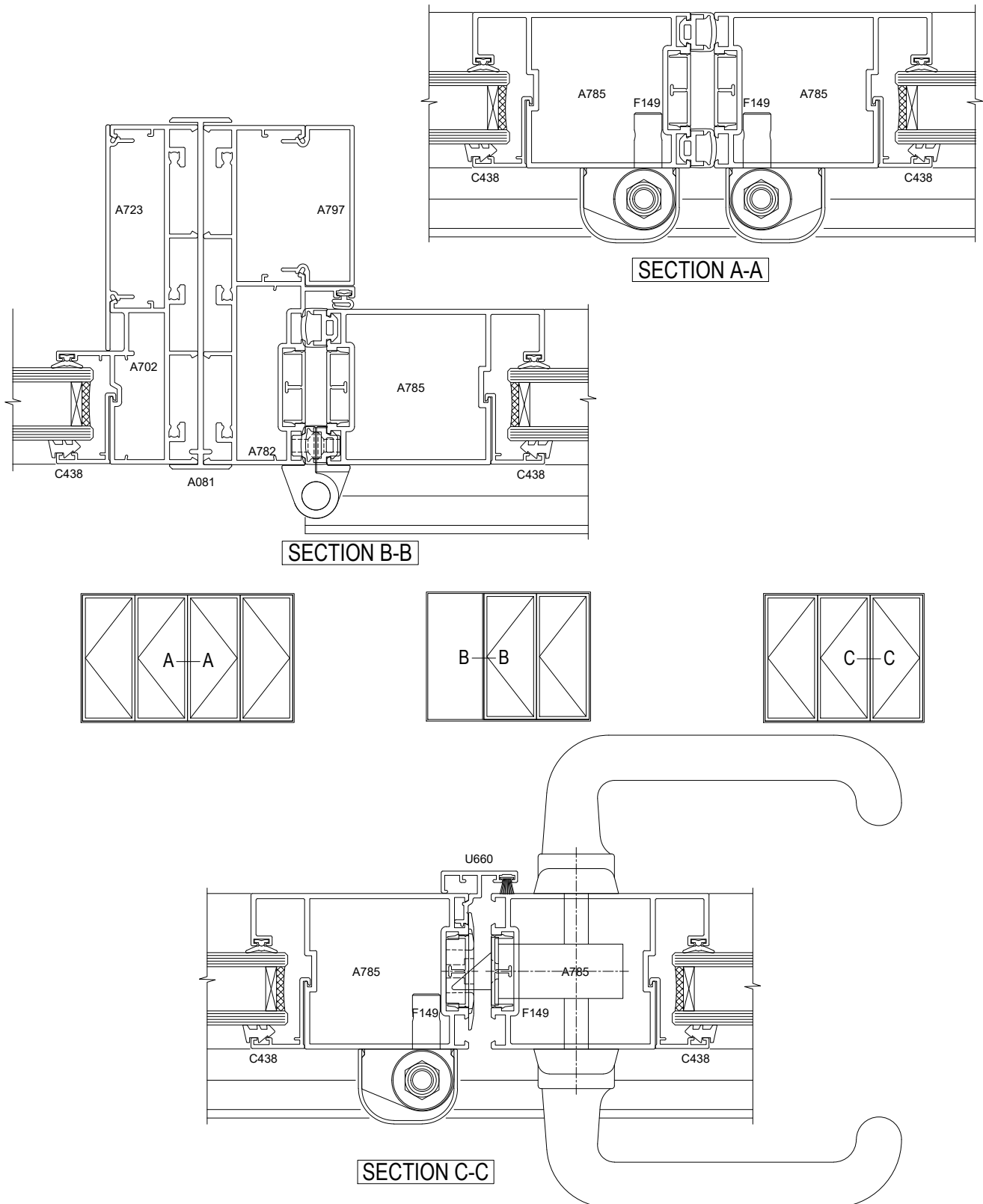
SECTION D-D

TOP HUNG HOODED GUIDE BIFOLD DOOR

FAIRVIEW SYSTEMS LIMITED SPECIFIERS GUIDE 2014 © TECHNICAL SPECIFICATIONS & PROFILE DETAILS SUBJECT TO CHANGE WITHOUT NOTICE

ARCHITECTURAL CUBIC 40 COMPLETE SUITE

DATE 11.06.2018	SCALE 1:2
REF. AC40.0062	

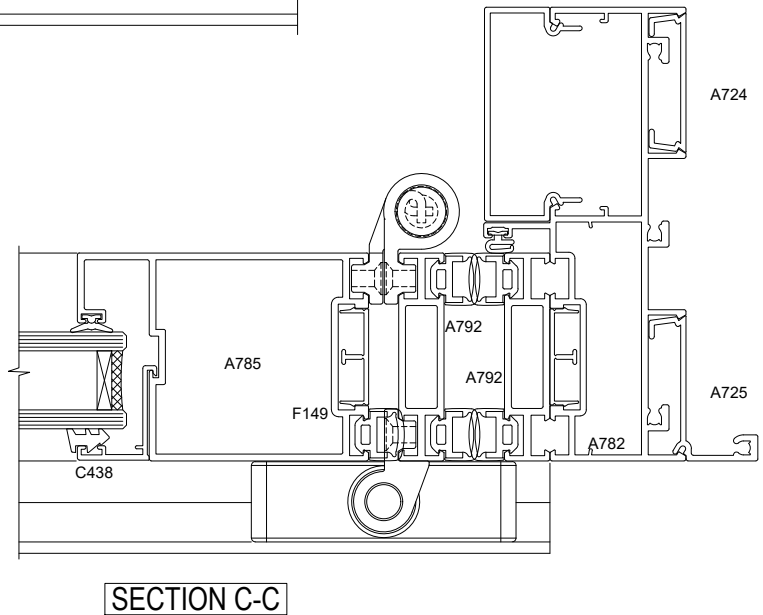
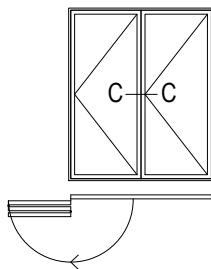
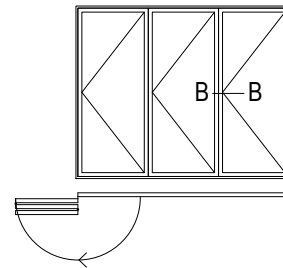
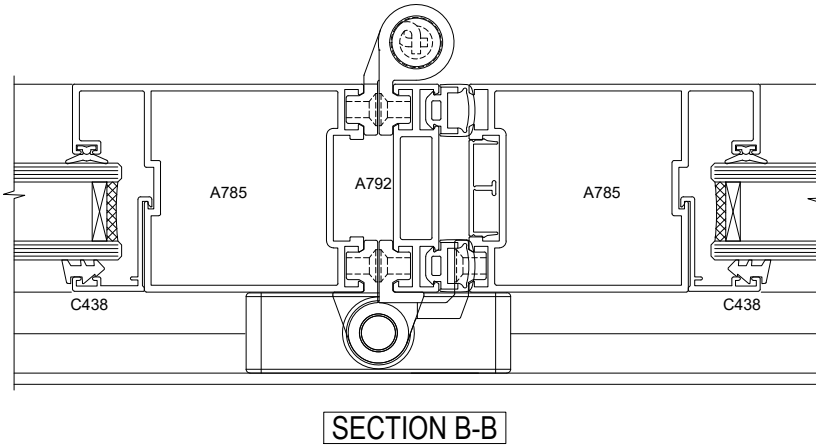
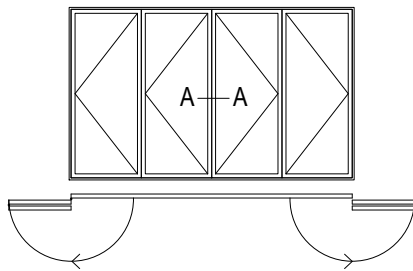
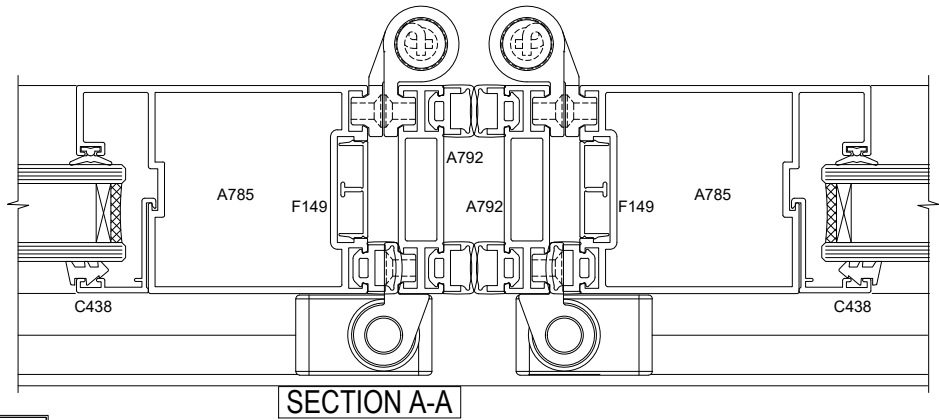


TOP HUNG HOODED GUIDE BIFOLD DOOR

FAIRVIEW SYSTEMS LIMITED SPECIFIERS GUIDE 2014 © TECHNICAL SPECIFICATIONS & PROFILE DETAILS SUBJECT TO CHANGE WITHOUT NOTICE

ARCHITECTURAL CUBIC 40 COMPLETE SUITE

DATE 11.06.2018	SCALE 1:2
REF. AC40.0063	



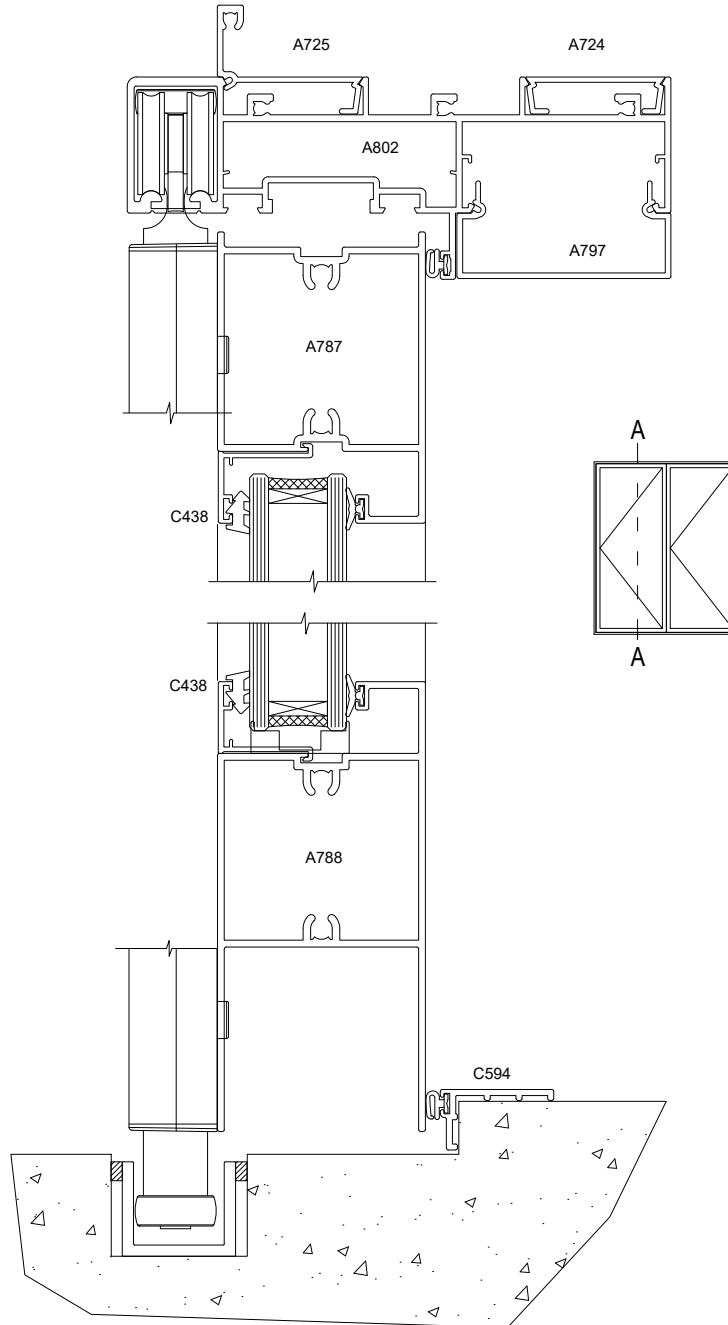
FREEFOLD

TOP HUNG HOODED GUIDE BIFOLD DOOR

FAIRVIEW SYSTEMS LIMITED SPECIFIERS GUIDE 2014 © TECHNICAL SPECIFICATIONS & PROFILE DETAILS SUBJECT TO CHANGE WITHOUT NOTICE

ARCHITECTURAL CUBIC 40 COMPLETE SUITE

DATE 11.06.2018	SCALE 1:2
REF. AC40.0064	



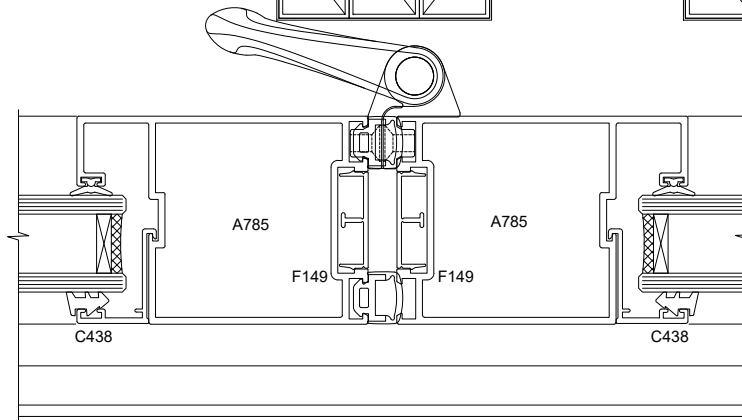
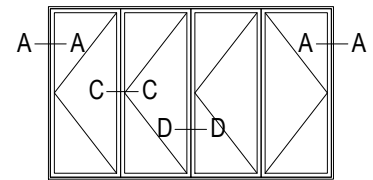
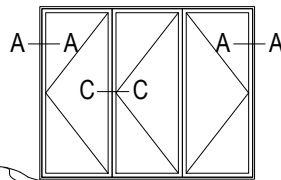
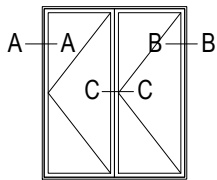
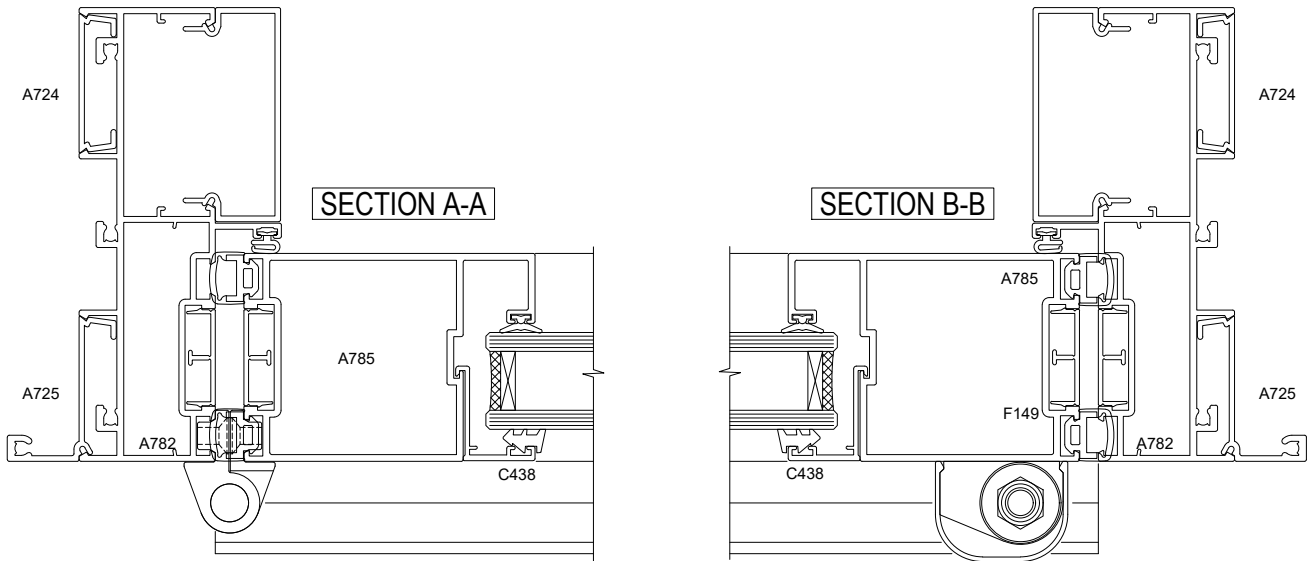
SECTION A-A

TOP HUNG NON-WEATHERED GUIDE BIFOLD DOOR

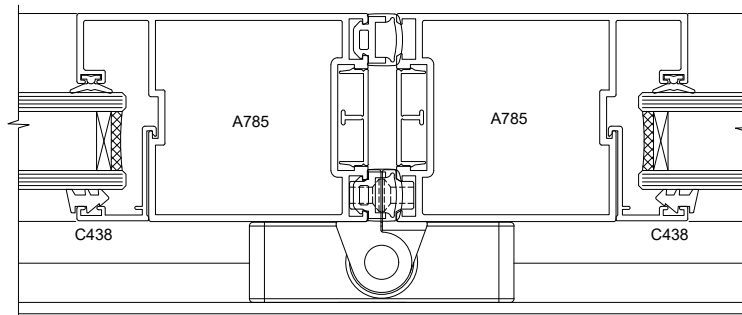
FAIRVIEW SYSTEMS LIMITED SPECIFIERS GUIDE 2014 © TECHNICAL SPECIFICATIONS & PROFILE DETAILS SUBJECT TO CHANGE WITHOUT NOTICE

ARCHITECTURAL CUBIC 40 COMPLETE SUITE

DATE 11.06.2018	SCALE 1:2
REF. AC40.0071	



SECTION C-C



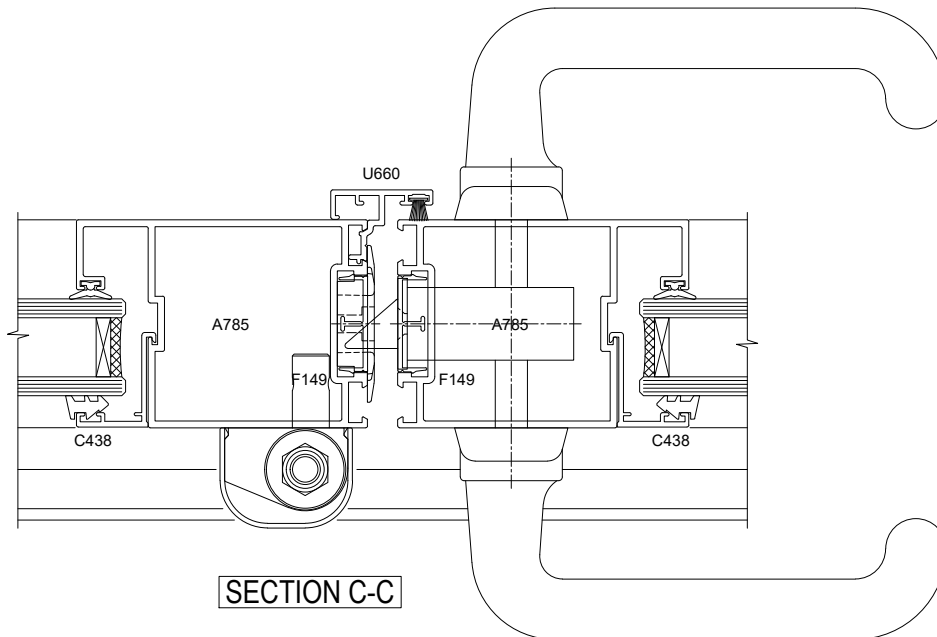
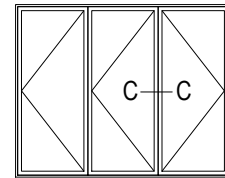
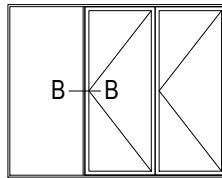
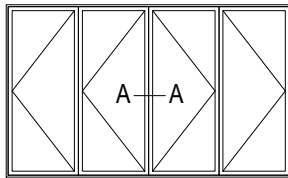
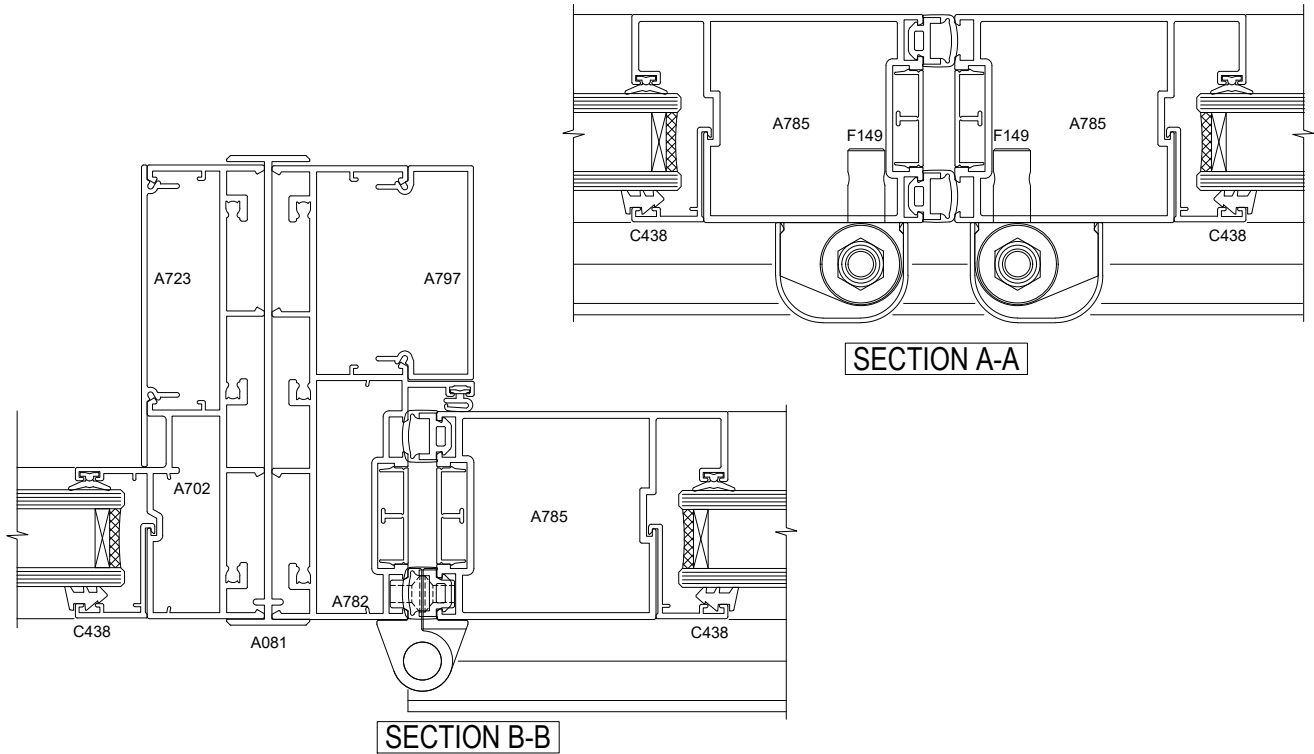
SECTION D-D

TOP HUNG NON-WEATHERED GUIDE BIFOLD DOOR

FAIRVIEW SYSTEMS LIMITED SPECIFIERS GUIDE 2014 © TECHNICAL SPECIFICATIONS & PROFILE DETAILS SUBJECT TO CHANGE WITHOUT NOTICE

ARCHITECTURAL CUBIC 40 COMPLETE SUITE

DATE 11.06.2018	SCALE 1:2
REF. AC40.0072	

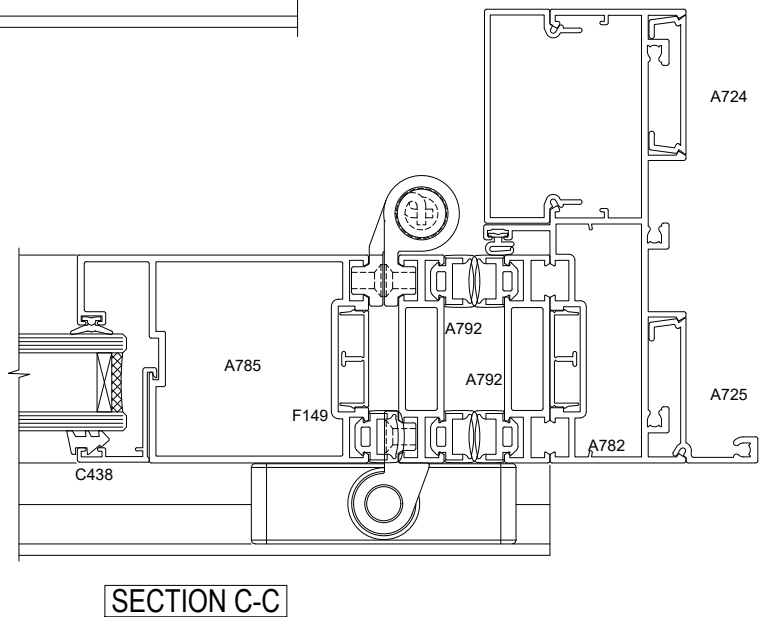
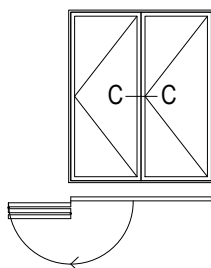
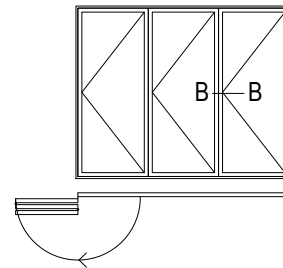
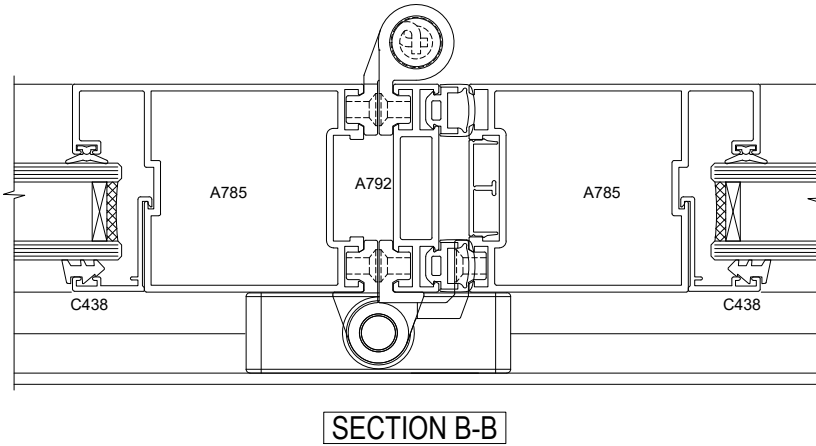
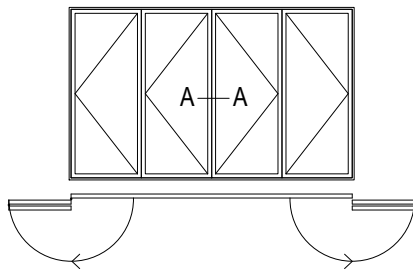
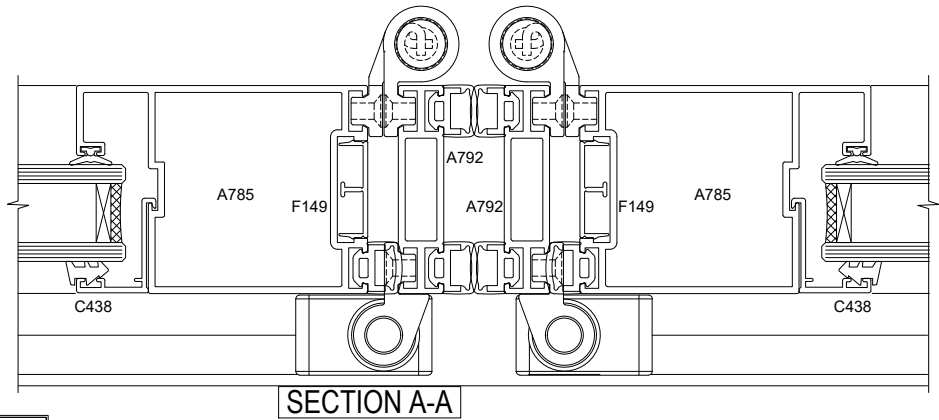


TOP HUNG NON-WEATHERED GUIDE BIFOLD DOOR

FAIRVIEW SYSTEMS LIMITED SPECIFIERS GUIDE 2014 © TECHNICAL SPECIFICATIONS & PROFILE DETAILS SUBJECT TO CHANGE WITHOUT NOTICE

ARCHITECTURAL CUBIC 40 COMPLETE SUITE

DATE 11.06.2018	SCALE 1:2
REF. AC40.0073	



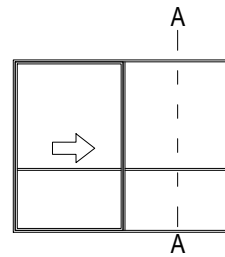
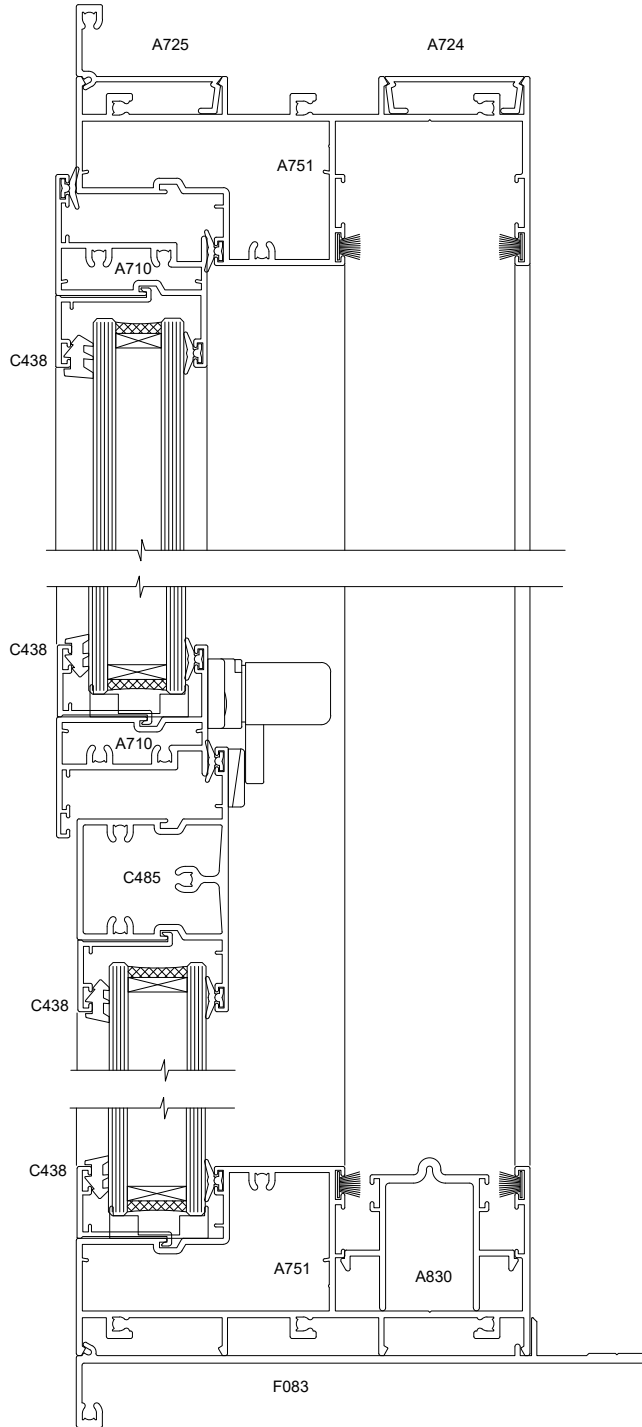
FREEFOLD

TOP HUNG NON-WEATHERED GUIDE BIFOLD DOOR

FAIRVIEW SYSTEMS LIMITED SPECIFIERS GUIDE 2014 © TECHNICAL SPECIFICATIONS & PROFILE DETAILS SUBJECT TO CHANGE WITHOUT NOTICE

ARCHITECTURAL CUBIC 40 COMPLETE SUITE

DATE 11.06.2018	SCALE 1:2
REF. AC40.0074	



SECTION A-A

SLIDING DOOR

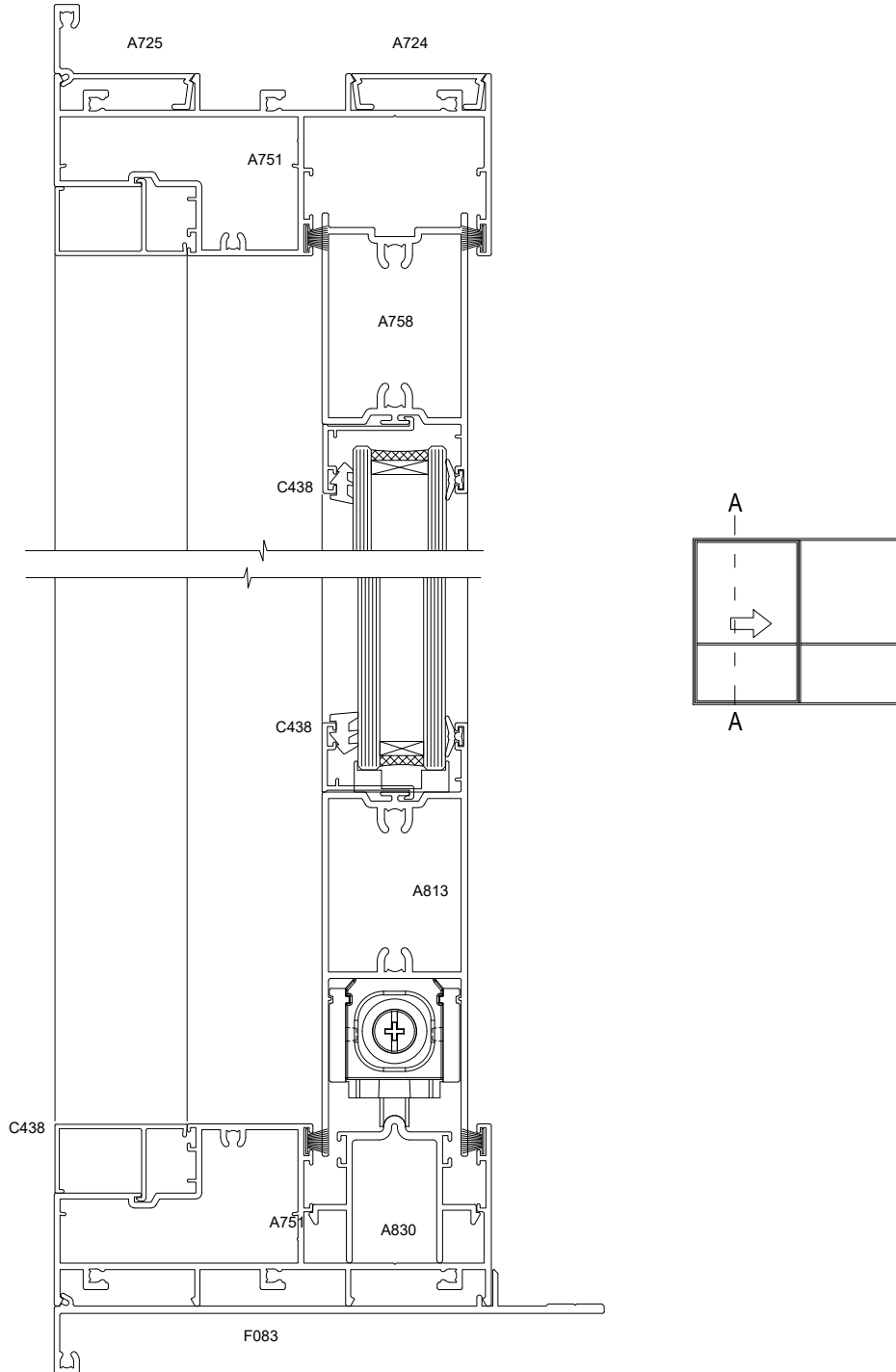
FAIRVIEW SYSTEMS LIMITED SPECIFIERS GUIDE 2014 © TECHNICAL SPECIFICATIONS & PROFILE DETAILS SUBJECT TO CHANGE WITHOUT NOTICE

ARCHITECTURAL CUBIC 40 COMPLETE SUITE

DATE
11.06.2018

SCALE
1:2

REF. AC40.0081



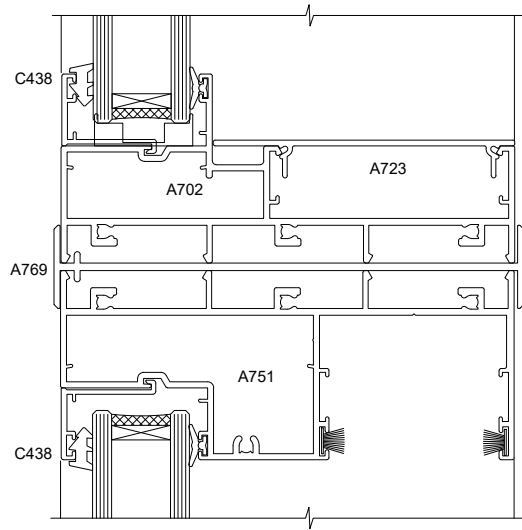
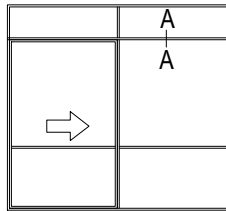
SECTION A-A

SLIDING DOOR

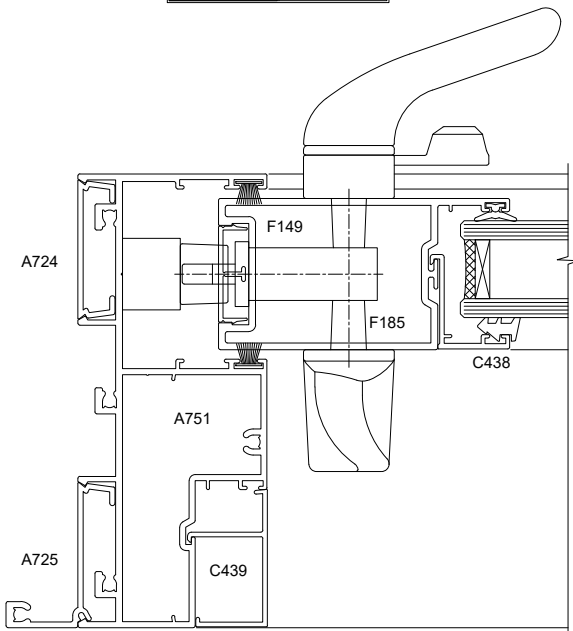
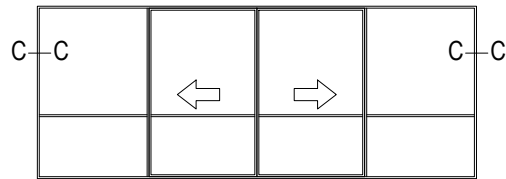
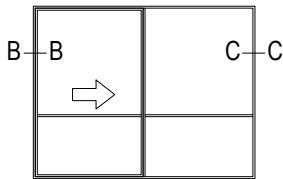
FAIRVIEW SYSTEMS LIMITED SPECIFIERS GUIDE 2014 © TECHNICAL SPECIFICATIONS & PROFILE DETAILS SUBJECT TO CHANGE WITHOUT NOTICE

ARCHITECTURAL CUBIC 40 COMPLETE SUITE

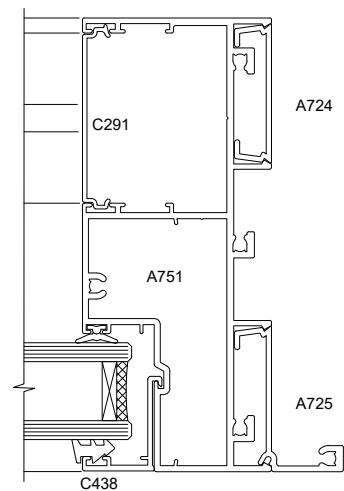
DATE 11.06.2018	SCALE 1:2
REF. AC40.0082	



SECTION A-A



SECTION B-B



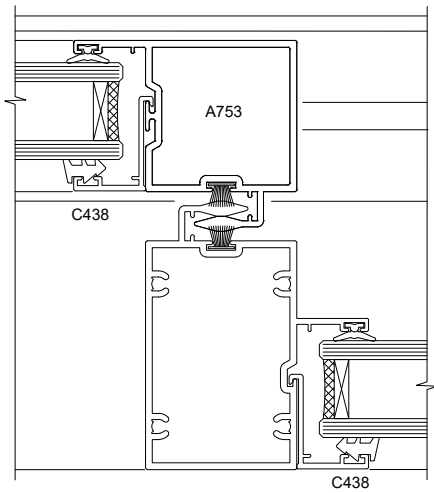
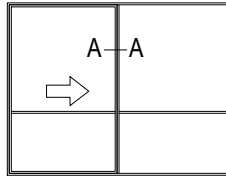
SECTION C-C

SLIDING DOOR

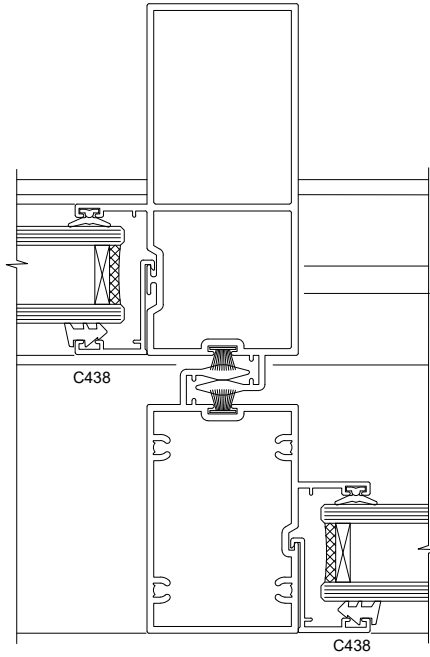
FAIRVIEW SYSTEMS LIMITED SPECIFIERS GUIDE 2014 © TECHNICAL SPECIFICATIONS & PROFILE DETAILS SUBJECT TO CHANGE WITHOUT NOTICE

ARCHITECTURAL CUBIC 40 COMPLETE SUITE

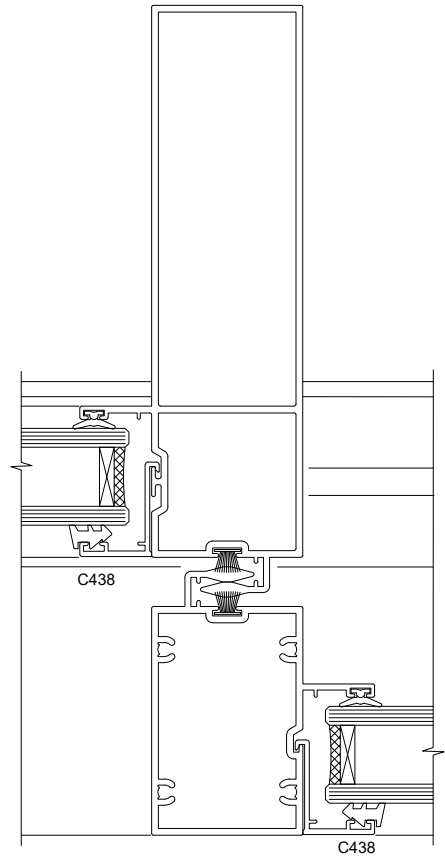
DATE 11.06.2018	SCALE 1:2
REF. AC40.0083	



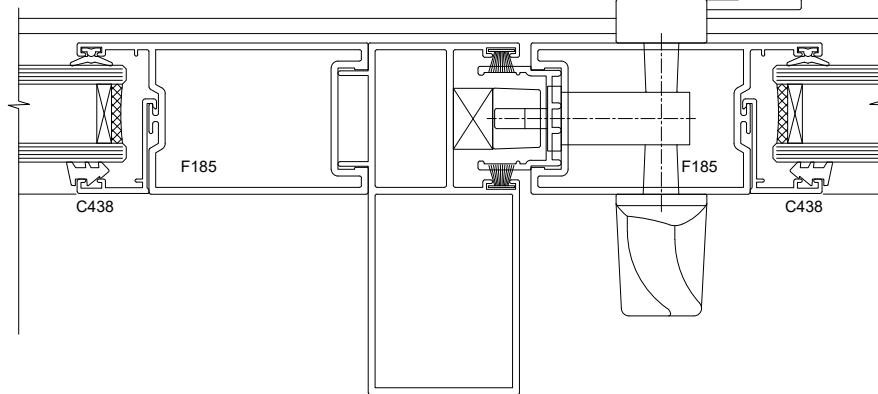
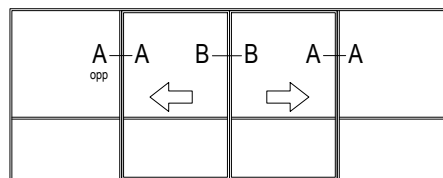
SECTION A-A



SECTION A-A



SECTION A-A



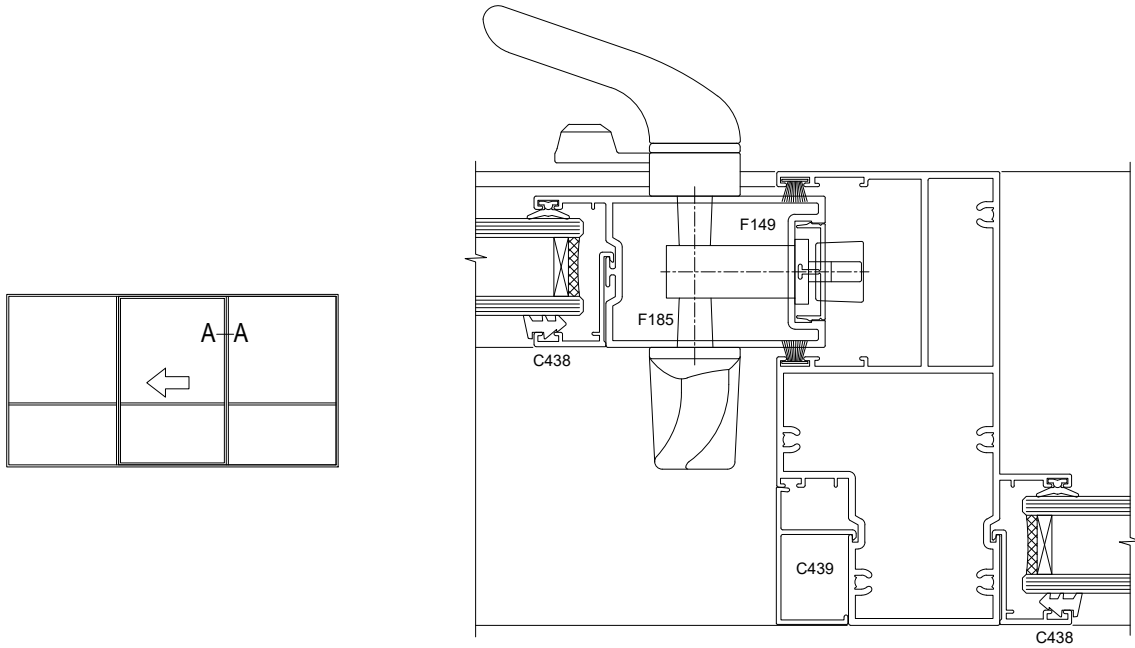
SECTION B-B

SLIDING DOOR

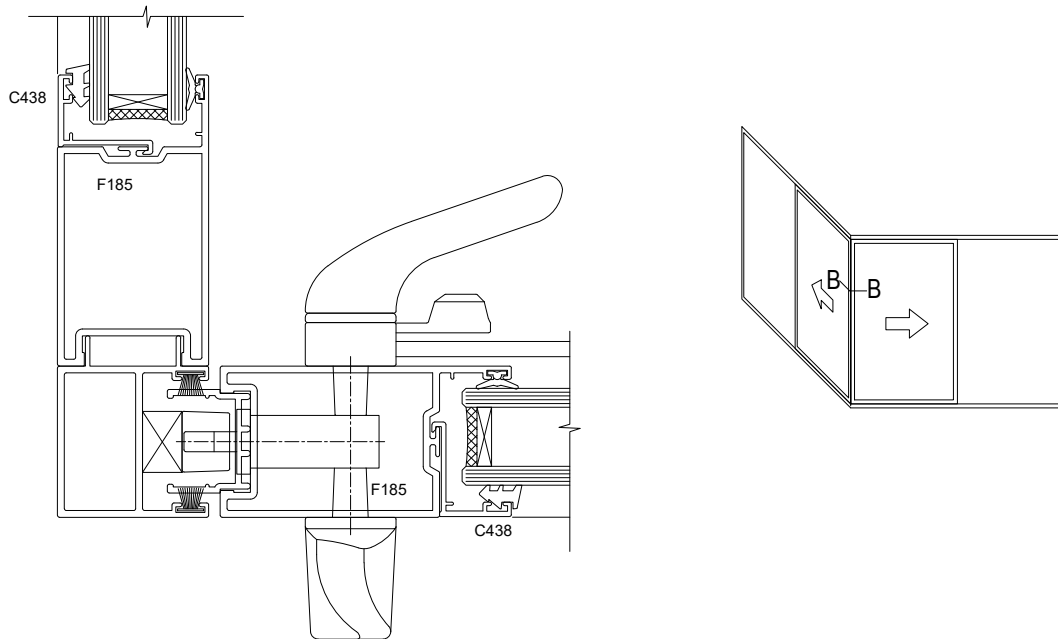
FAIRVIEW SYSTEMS LIMITED SPECIFIERS GUIDE 2014 © TECHNICAL SPECIFICATIONS & PROFILE DETAILS SUBJECT TO CHANGE WITHOUT NOTICE

ARCHITECTURAL CUBIC 40 COMPLETE SUITE

DATE 11.06.2018	SCALE 1:2
REF. AC40.0084	



SECTION A-A



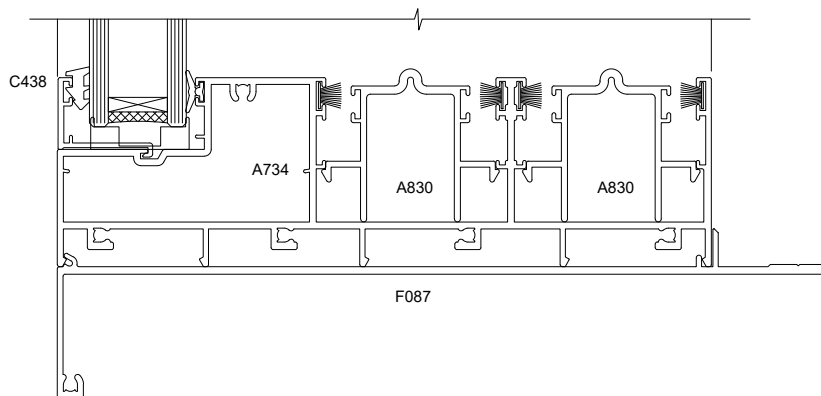
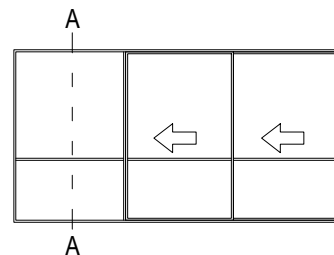
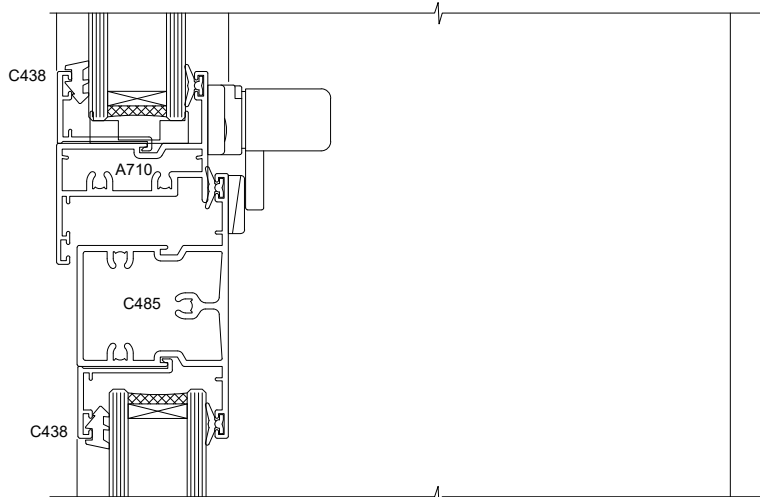
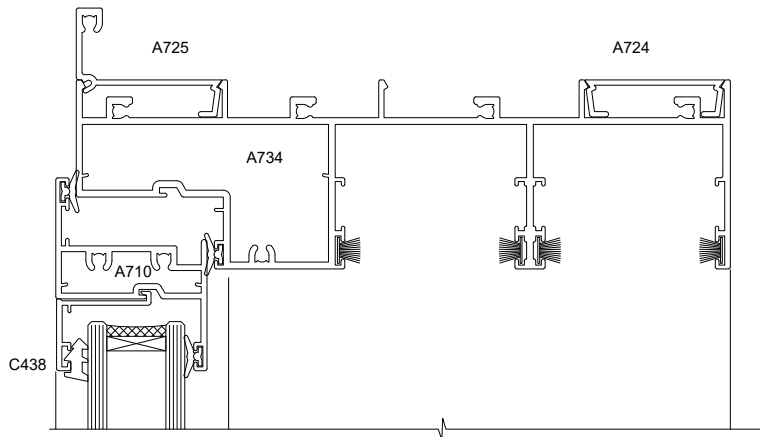
SECTION B-B

SLIDING DOOR

FAIRVIEW SYSTEMS LIMITED SPECIFIERS GUIDE 2014 © TECHNICAL SPECIFICATIONS & PROFILE DETAILS SUBJECT TO CHANGE WITHOUT NOTICE

ARCHITECTURAL CUBIC 40 COMPLETE SUITE

DATE 11.06.2018	SCALE 1:2
REF. AC40.0085	



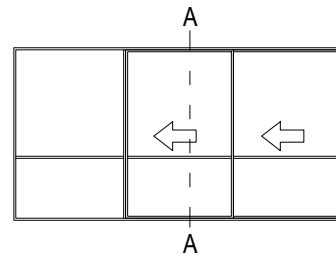
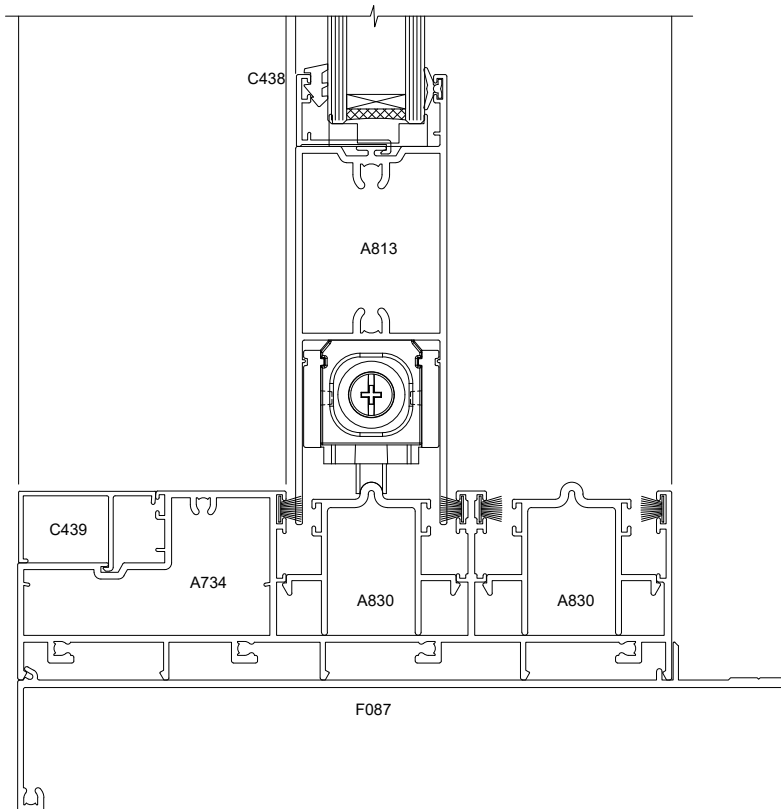
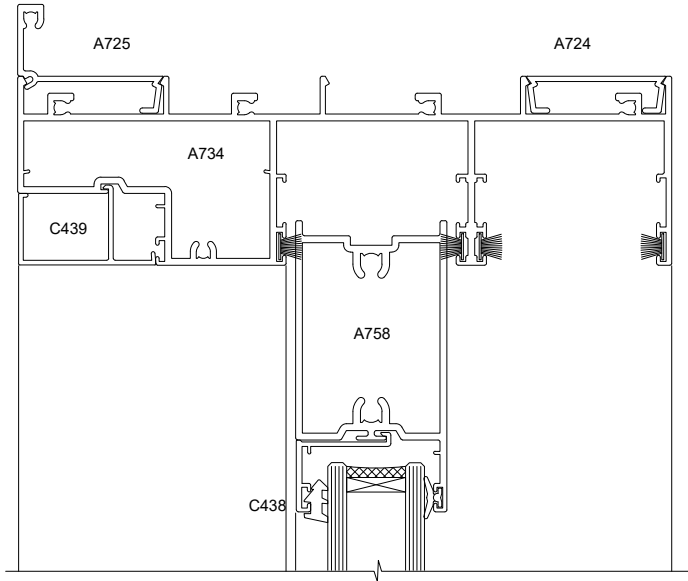
SECTION A-A

STACKING DOOR

FAIRVIEW SYSTEMS LIMITED SPECIFIERS GUIDE 2014 © TECHNICAL SPECIFICATIONS & PROFILE DETAILS SUBJECT TO CHANGE WITHOUT NOTICE

ARCHITECTURAL CUBIC 40 COMPLETE SUITE

DATE 11.06.2018	SCALE 1:2
REF. AC40.0091	



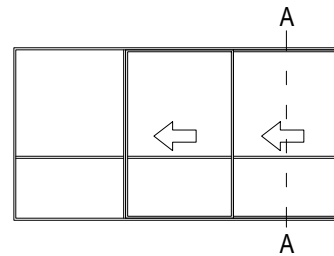
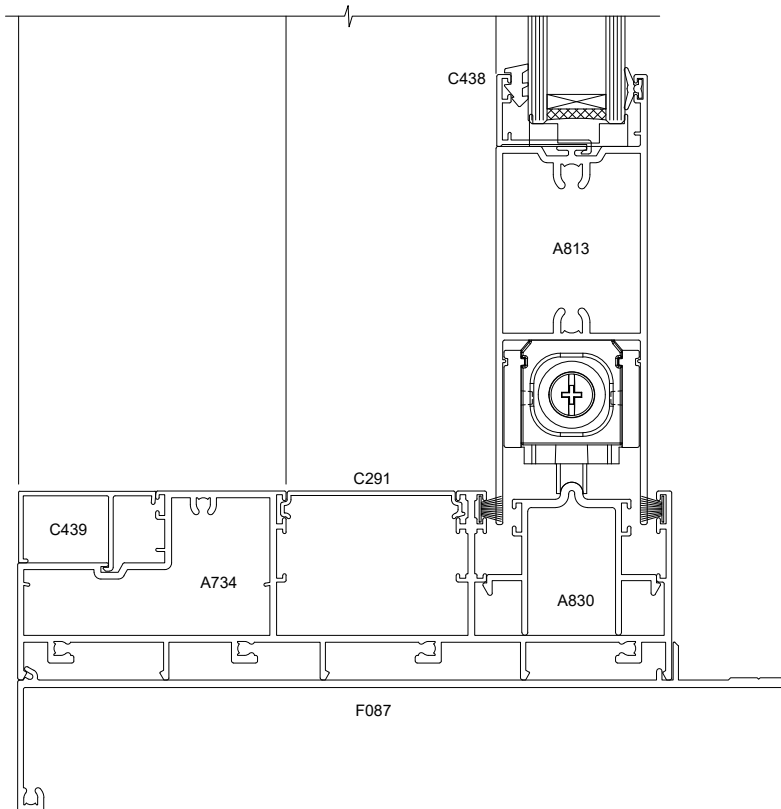
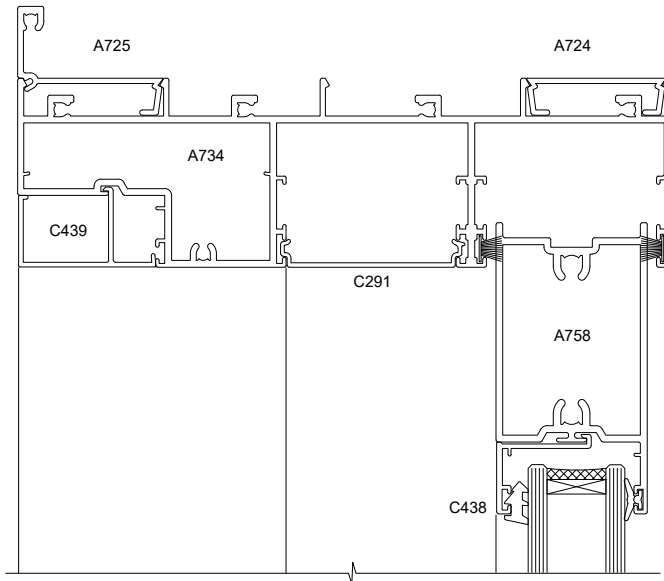
SECTION A-A

STACKING DOOR

FAIRVIEW SYSTEMS LIMITED SPECIFIERS GUIDE 2014 © TECHNICAL SPECIFICATIONS & PROFILE DETAILS SUBJECT TO CHANGE WITHOUT NOTICE

ARCHITECTURAL CUBIC 40 COMPLETE SUITE

DATE 11.06.2018	SCALE 1:2
REF. AC40.0092	



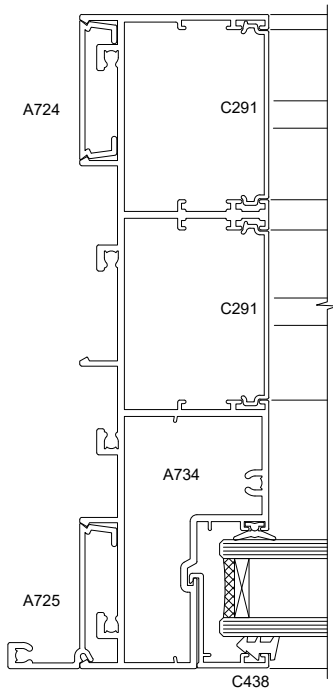
SECTION A-A

STACKING DOOR

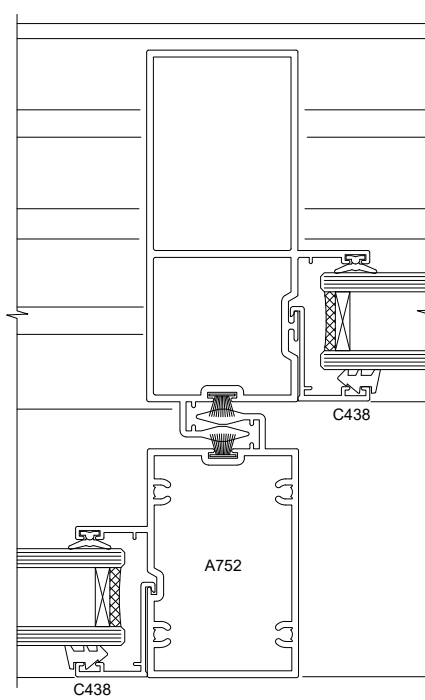
FAIRVIEW SYSTEMS LIMITED SPECIFIERS GUIDE 2014 © TECHNICAL SPECIFICATIONS & PROFILE DETAILS SUBJECT TO CHANGE WITHOUT NOTICE

ARCHITECTURAL CUBIC 40 COMPLETE SUITE

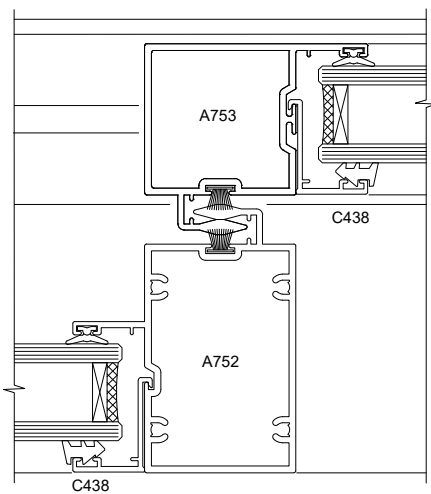
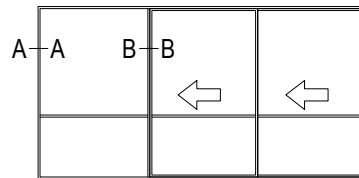
DATE 11.06.2018	SCALE 1:2
REF. AC40.0093	



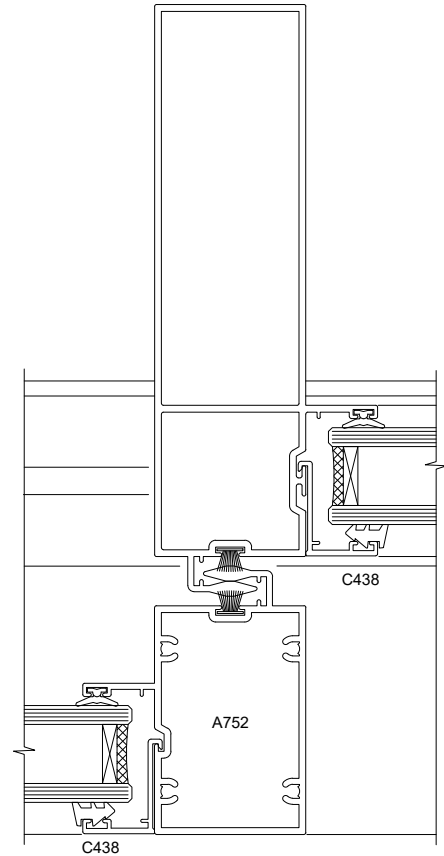
SECTION A-A



SECTION B-B



SECTION B-B



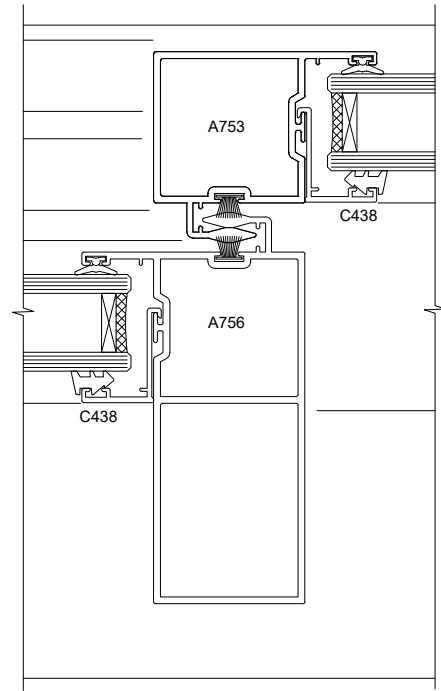
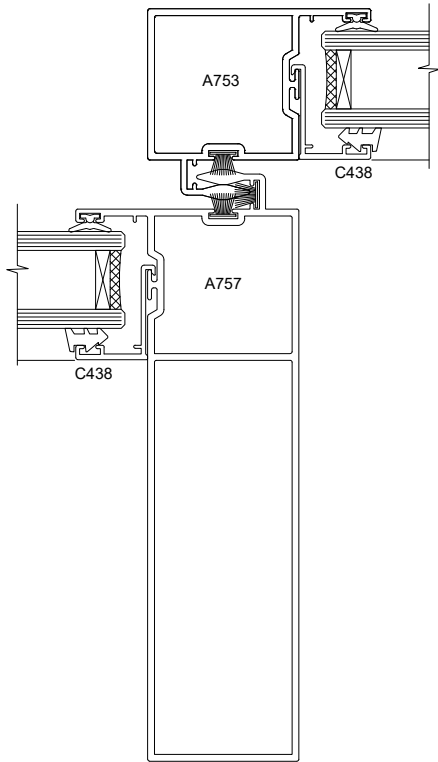
SECTION B-B

STACKING DOOR

FAIRVIEW SYSTEMS LIMITED SPECIFIERS GUIDE 2014 © TECHNICAL SPECIFICATIONS & PROFILE DETAILS SUBJECT TO CHANGE WITHOUT NOTICE

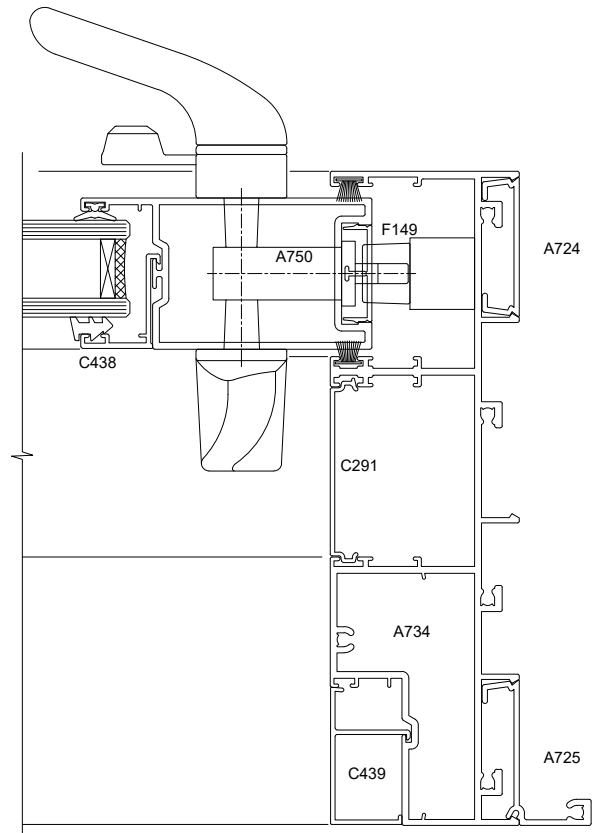
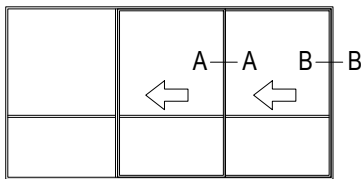
ARCHITECTURAL CUBIC 40 COMPLETE SUITE

DATE 11.06.2018	SCALE 1:2
REF. AC40.0094	



SECTION A-A

SECTION A-A



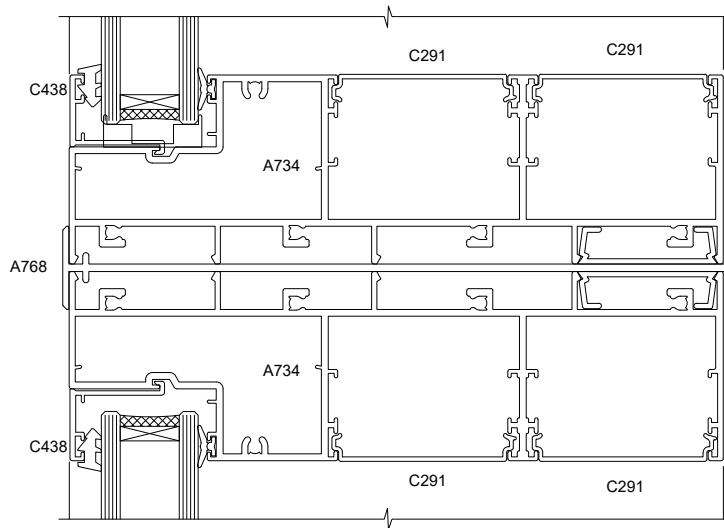
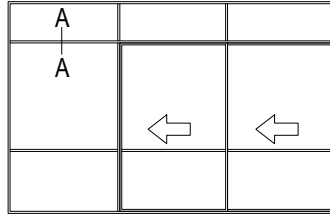
SECTION B-B

STACKING DOOR

FAIRVIEW SYSTEMS LIMITED SPECIFIERS GUIDE 2014 © TECHNICAL SPECIFICATIONS & PROFILE DETAILS SUBJECT TO CHANGE WITHOUT NOTICE

ARCHITECTURAL CUBIC 40 COMPLETE SUITE

DATE 11.06.2018	SCALE 1:2
REF. AC40.0095	



SECTION A-A

STACKING DOOR

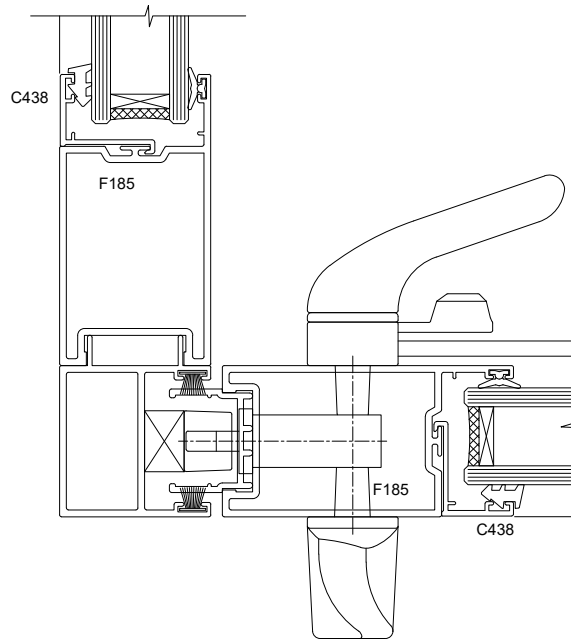
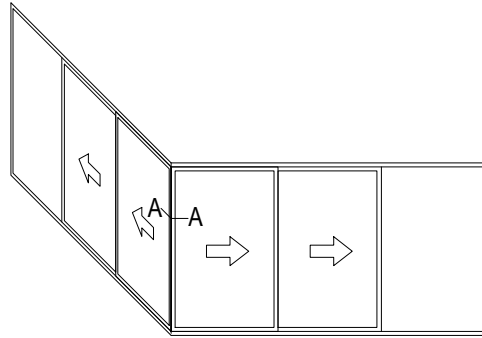
FAIRVIEW SYSTEMS LIMITED SPECIFIERS GUIDE 2014 © TECHNICAL SPECIFICATIONS & PROFILE DETAILS SUBJECT TO CHANGE WITHOUT NOTICE

ARCHITECTURAL CUBIC 40 COMPLETE SUITE

DATE
11.06.2018

SCALE
1:2

REF. AC40.0096



SECTION A-A

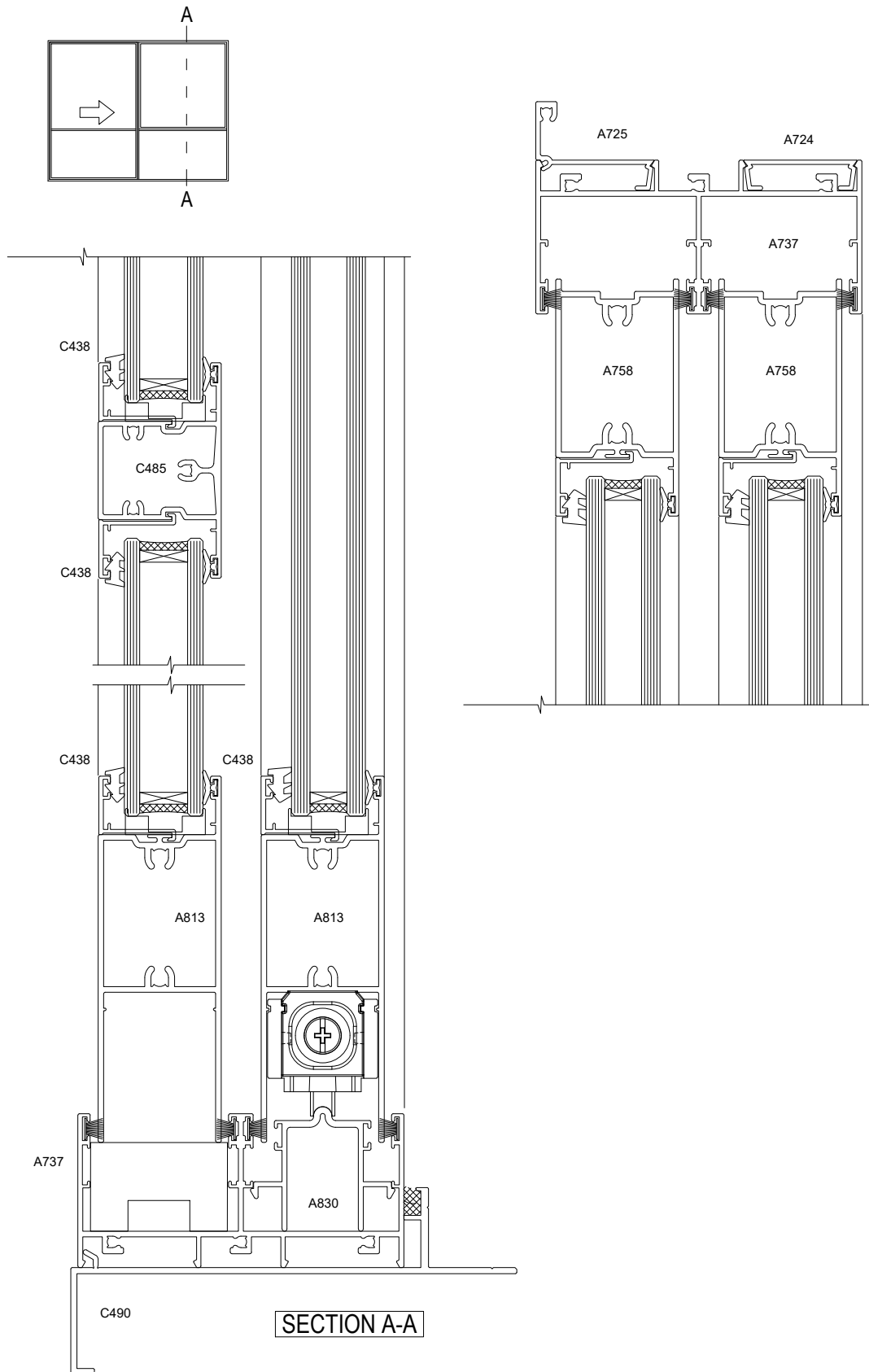
SECTION A-A

STACKING DOOR

FAIRVIEW SYSTEMS LIMITED SPECIFIERS GUIDE 2014 © TECHNICAL SPECIFICATIONS & PROFILE DETAILS SUBJECT TO CHANGE WITHOUT NOTICE

ARCHITECTURAL CUBIC 40 COMPLETE SUITE

DATE 11.06.2018	SCALE 1:2
REF. AC40.0097	

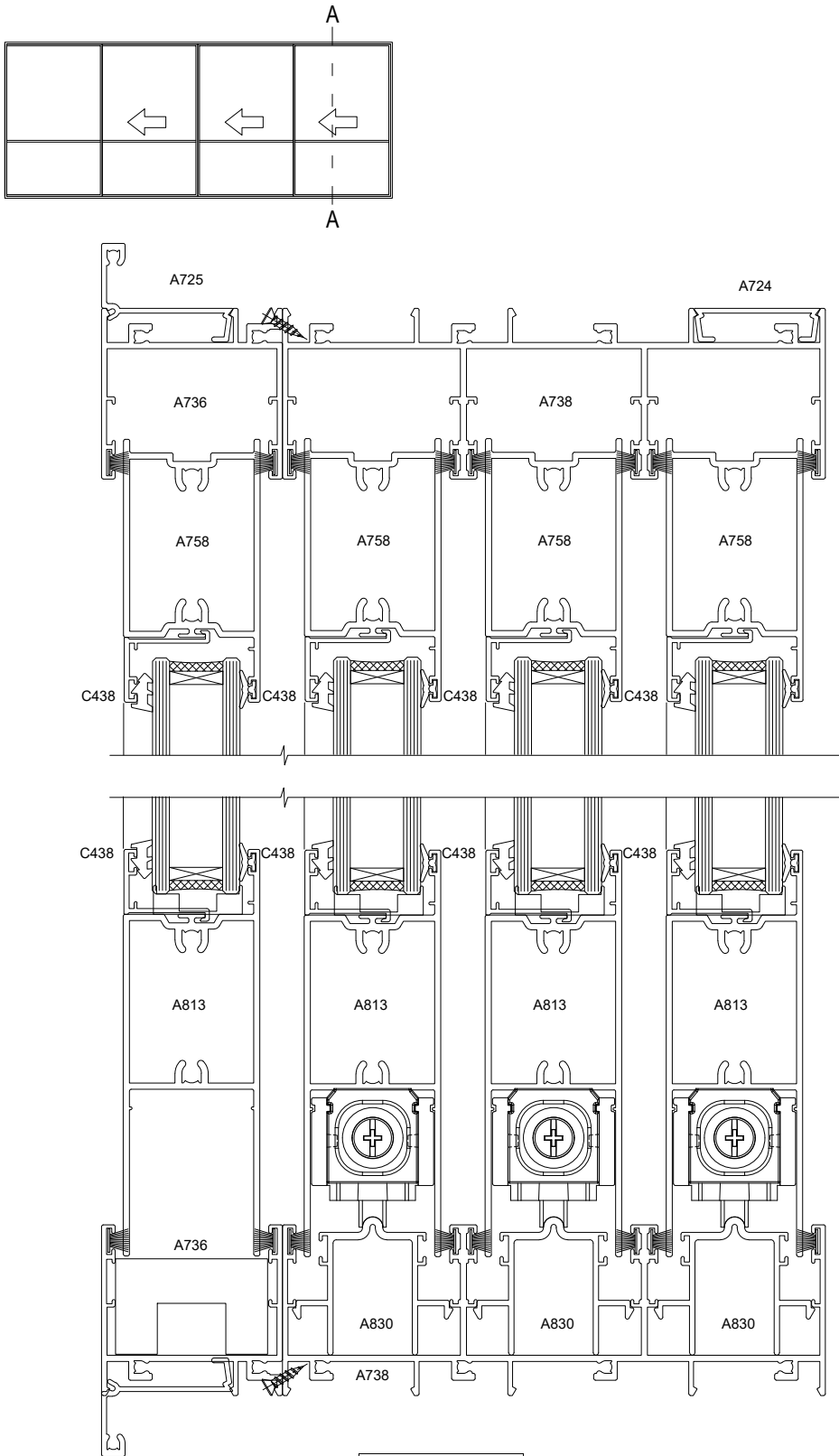


TRACK ONLY SLIDERS

FAIRVIEW SYSTEMS LIMITED SPECIFIERS GUIDE 2014 © TECHNICAL SPECIFICATIONS & PROFILE DETAILS SUBJECT TO CHANGE WITHOUT NOTICE

ARCHITECTURAL CUBIC 40 COMPLETE SUITE

DATE 11.06.2018	SCALE 1:2
REF. AC40.0101	



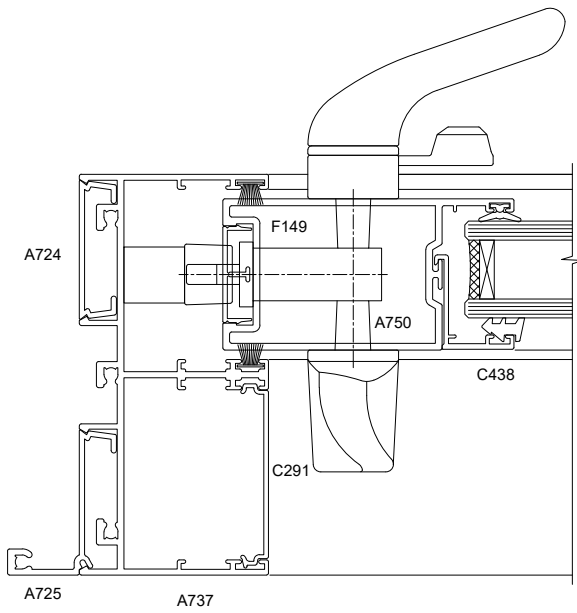
SECTION A-A

TRACK ONLY SLIDERS

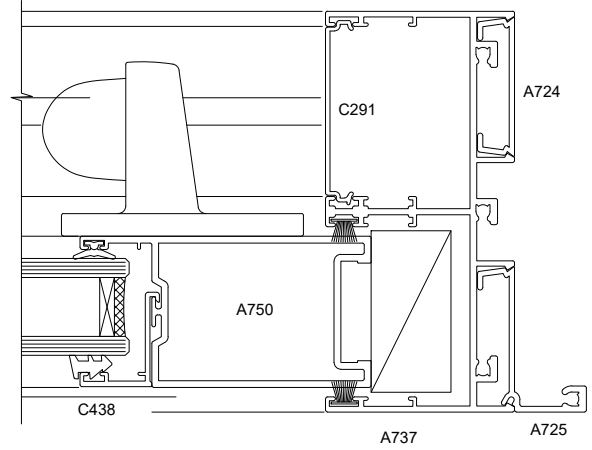
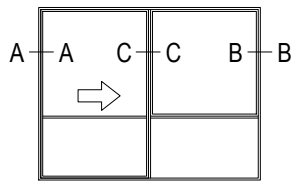
FAIRVIEW SYSTEMS LIMITED SPECIFIERS GUIDE 2014 © TECHNICAL SPECIFICATIONS & PROFILE DETAILS SUBJECT TO CHANGE WITHOUT NOTICE

ARCHITECTURAL CUBIC 40 COMPLETE SUITE

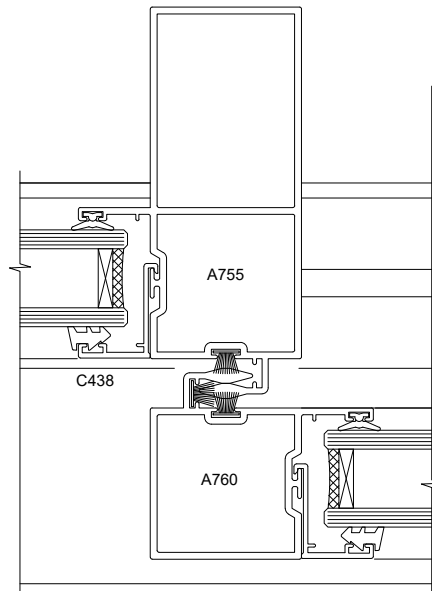
DATE 11.06.2018	SCALE 1:2
REF. AC40.0102	



SECTION A-A



SECTION B-B



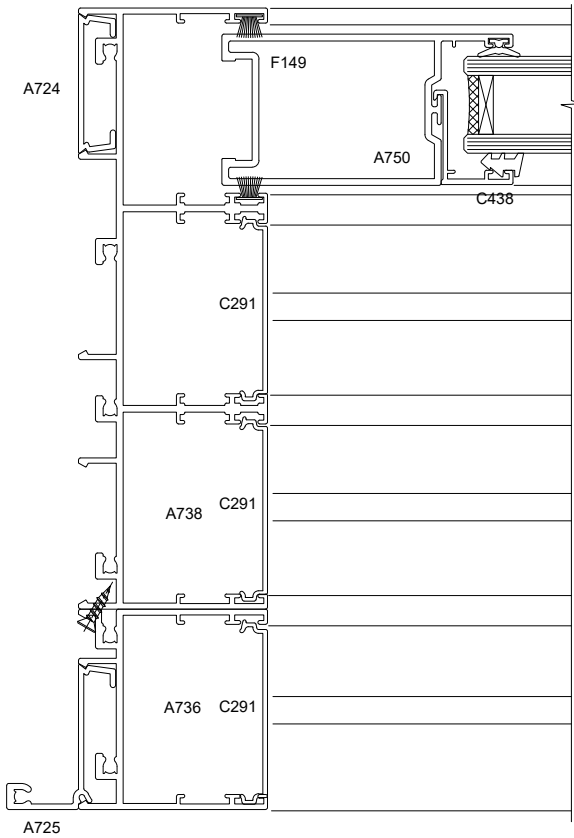
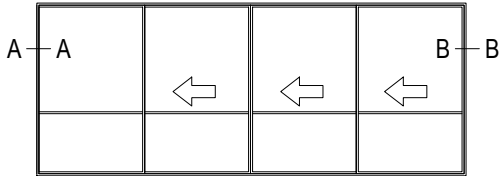
SECTION C-C

TRACK ONLY SLIDERS

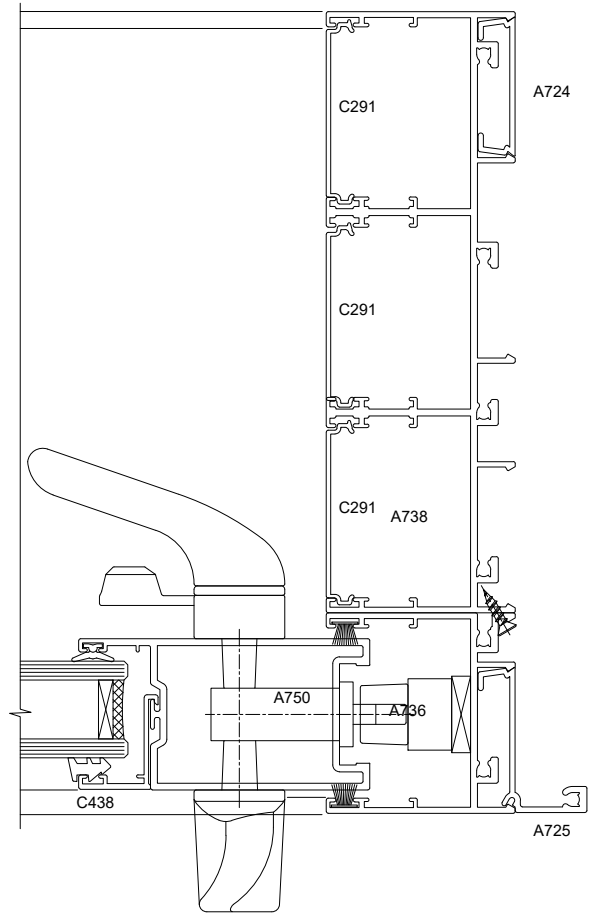
FAIRVIEW SYSTEMS LIMITED SPECIFIERS GUIDE 2014 © TECHNICAL SPECIFICATIONS & PROFILE DETAILS SUBJECT TO CHANGE WITHOUT NOTICE

ARCHITECTURAL CUBIC 40 COMPLETE SUITE

DATE 11.06.2018	SCALE 1:2
REF. AC40.0103	



SECTION A-A



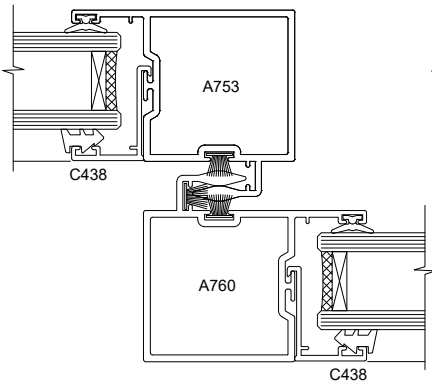
SECTION B-B

TRACK ONLY SLIDERS

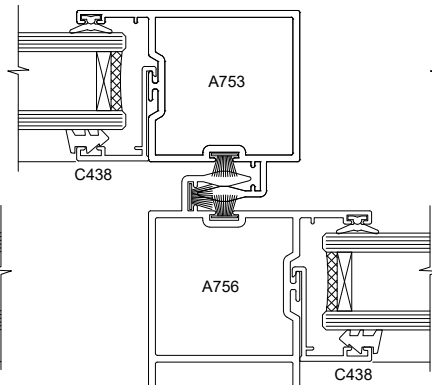
FAIRVIEW SYSTEMS LIMITED SPECIFIERS GUIDE 2014 © TECHNICAL SPECIFICATIONS & PROFILE DETAILS SUBJECT TO CHANGE WITHOUT NOTICE

ARCHITECTURAL CUBIC 40 COMPLETE SUITE

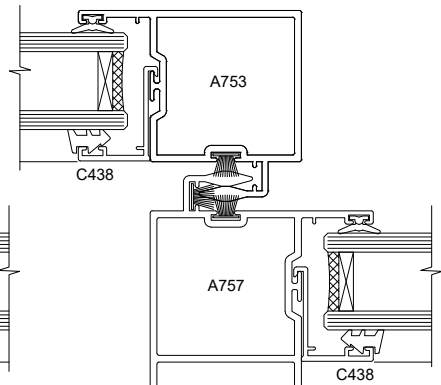
DATE 11.06.2018	SCALE 1:2
REF. AC40.0104	



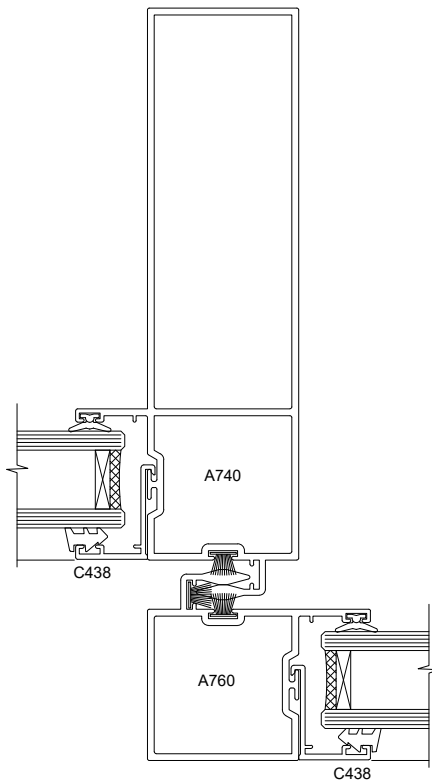
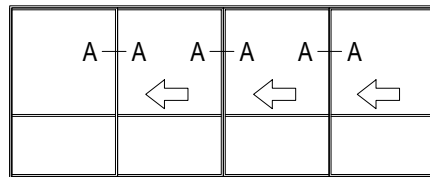
SECTION A-A



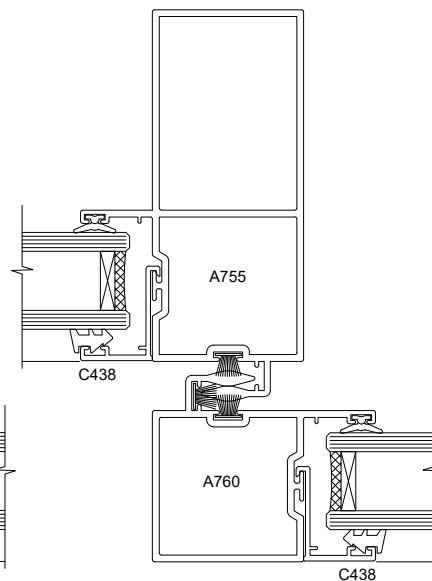
SECTION A-A



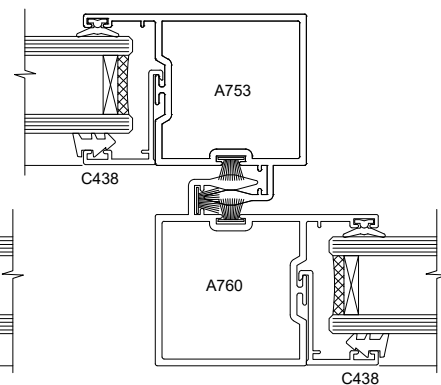
SECTION A-A



SECTION A-A



SECTION A-A



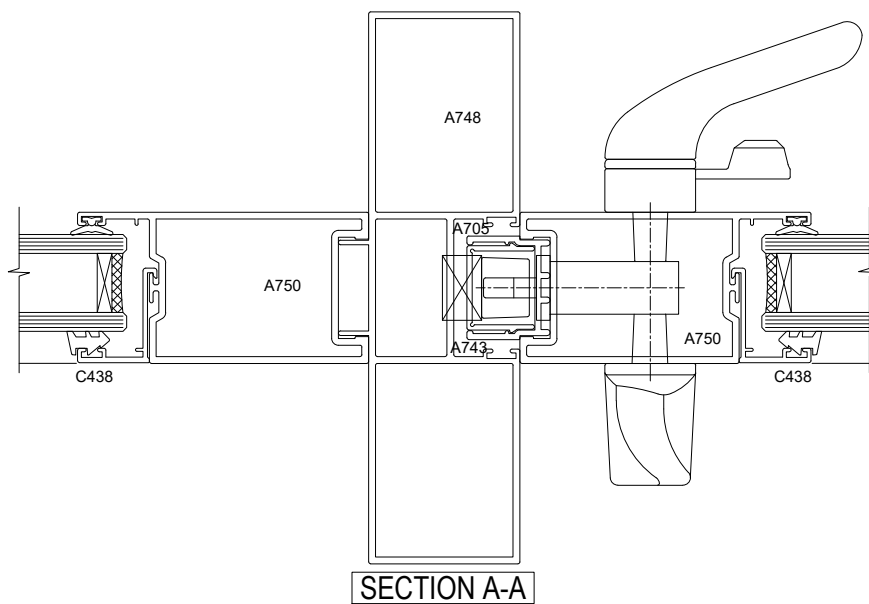
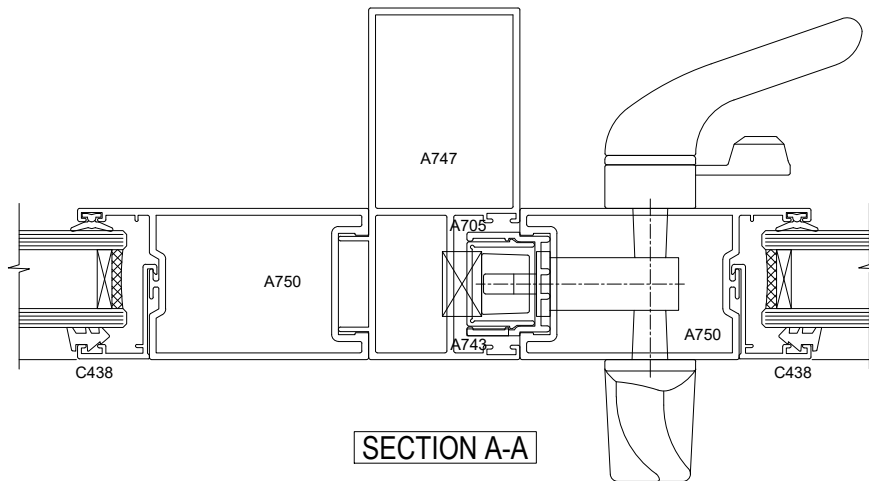
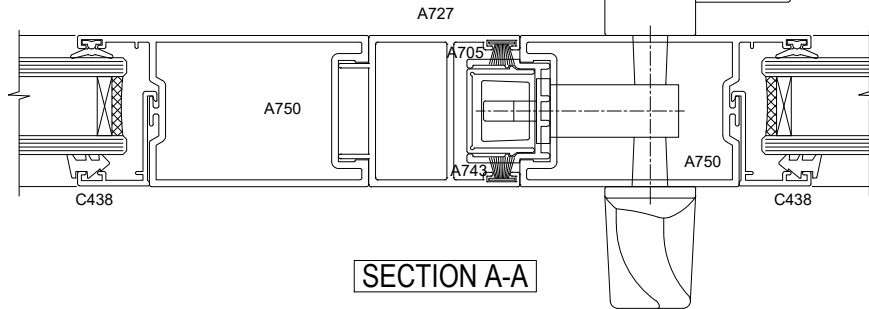
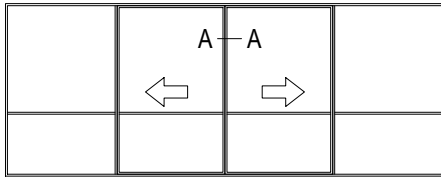
SECTION A-A

TRACK ONLY SLIDERS

FAIRVIEW SYSTEMS LIMITED SPECIFIERS GUIDE 2014 © TECHNICAL SPECIFICATIONS & PROFILE DETAILS SUBJECT TO CHANGE WITHOUT NOTICE

ARCHITECTURAL CUBIC 40 COMPLETE SUITE

DATE 11.06.2018	SCALE 1:2
REF. AC40.0105	

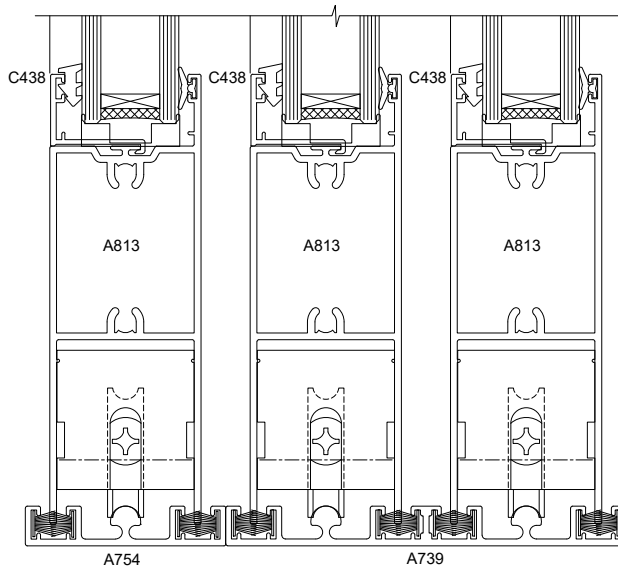
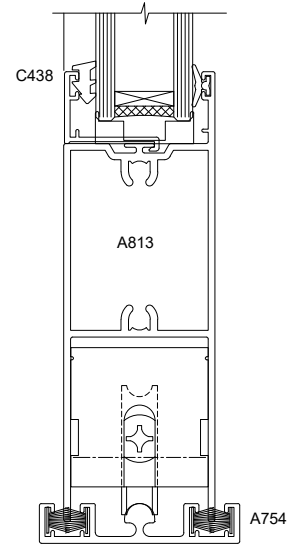
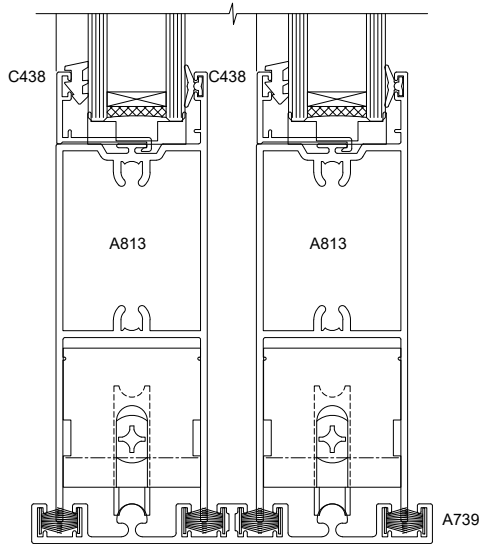


TRACK ONLY SLIDERS

FAIRVIEW SYSTEMS LIMITED SPECIFIERS GUIDE 2014 © TECHNICAL SPECIFICATIONS & PROFILE DETAILS SUBJECT TO CHANGE WITHOUT NOTICE

ARCHITECTURAL CUBIC 40 COMPLETE SUITE

DATE 11.06.2018	SCALE 1:2
REF. AC40.0106	

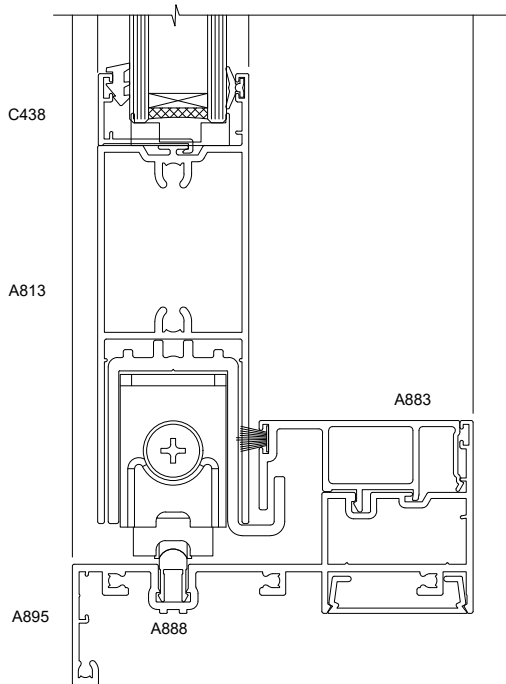
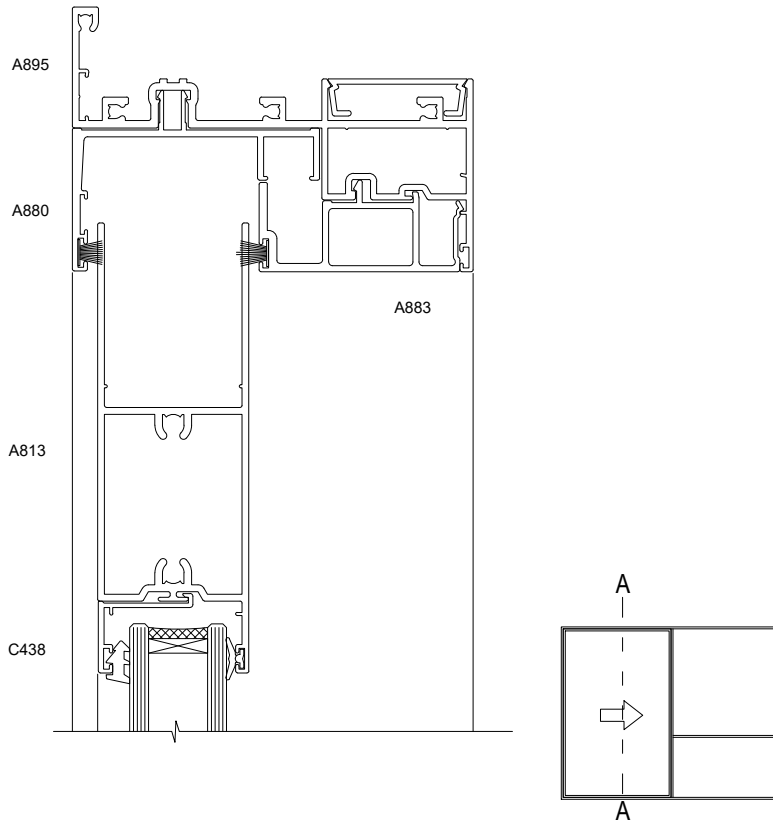


TRACK ONLY SLIDERS NON-WEATHERED TRACKS

FAIRVIEW SYSTEMS LIMITED SPECIFIERS GUIDE 2014 © TECHNICAL SPECIFICATIONS & PROFILE DETAILS SUBJECT TO CHANGE WITHOUT NOTICE

ARCHITECTURAL CUBIC 40 COMPLETE SUITE

DATE 11.06.2018	SCALE 1:2
REF. AC40.0107	



SECTION A-A

EXTERNAL SLIDERS

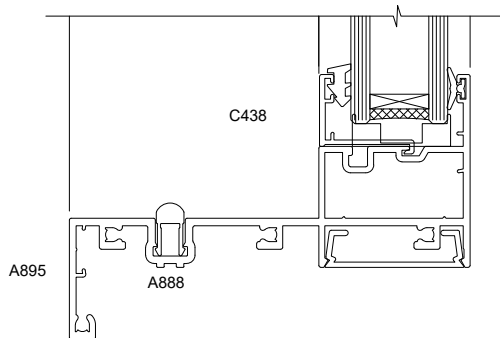
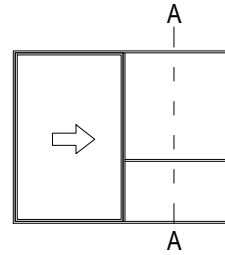
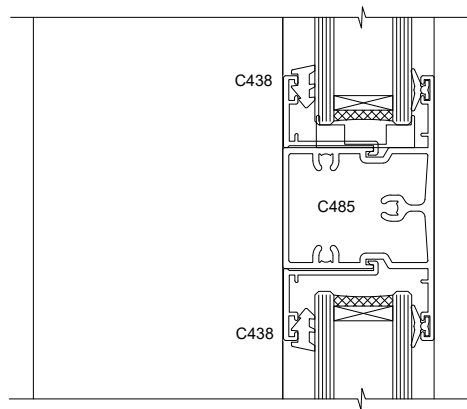
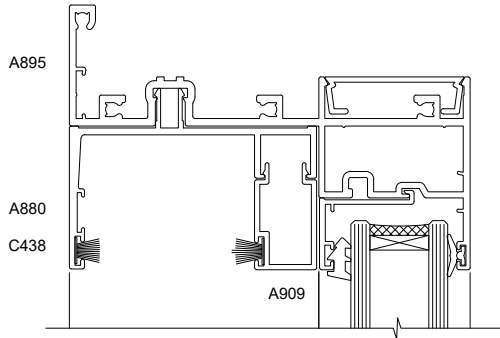
FAIRVIEW SYSTEMS LIMITED SPECIFIERS GUIDE 2014 © TECHNICAL SPECIFICATIONS & PROFILE DETAILS SUBJECT TO CHANGE WITHOUT NOTICE

ARCHITECTURAL CUBIC 40 COMPLETE SUITE

DATE
11.06.2018

SCALE
1:2

REF. AC40.0111



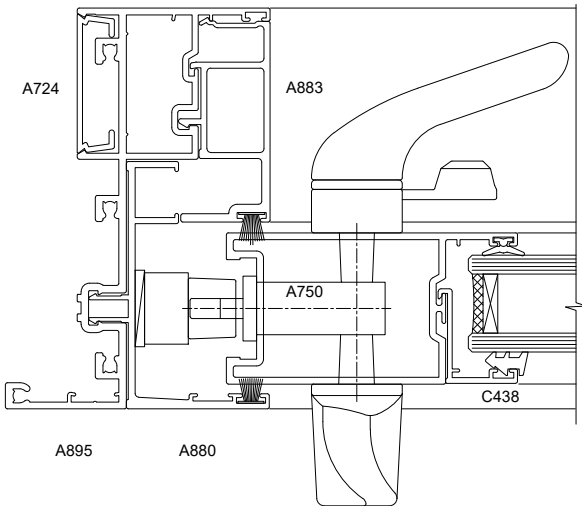
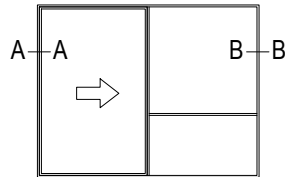
SECTION A-A

EXTERNAL SLIDERS

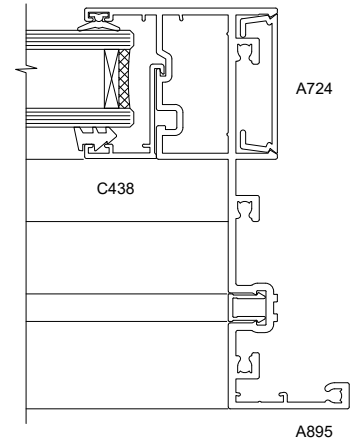
FAIRVIEW SYSTEMS LIMITED SPECIFIERS GUIDE 2014 © TECHNICAL SPECIFICATIONS & PROFILE DETAILS SUBJECT TO CHANGE WITHOUT NOTICE

ARCHITECTURAL CUBIC 40 COMPLETE SUITE

DATE 11.06.2018	SCALE 1:2
REF. AC40.0112	



SECTION A-A



SECTION B-B

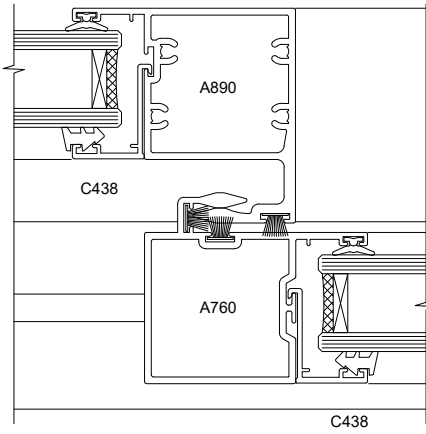
EXTERNAL SLIDERS

FAIRVIEW SYSTEMS LIMITED SPECIFIERS GUIDE 2014 © TECHNICAL SPECIFICATIONS & PROFILE DETAILS SUBJECT TO CHANGE WITHOUT NOTICE

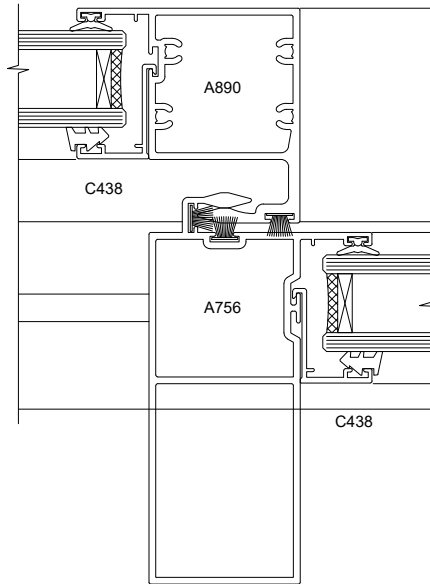
ARCHITECTURAL CUBIC 40 COMPLETE SUITE

DATE 11.06.2018	SCALE 1:2
REF. AC40.0113	

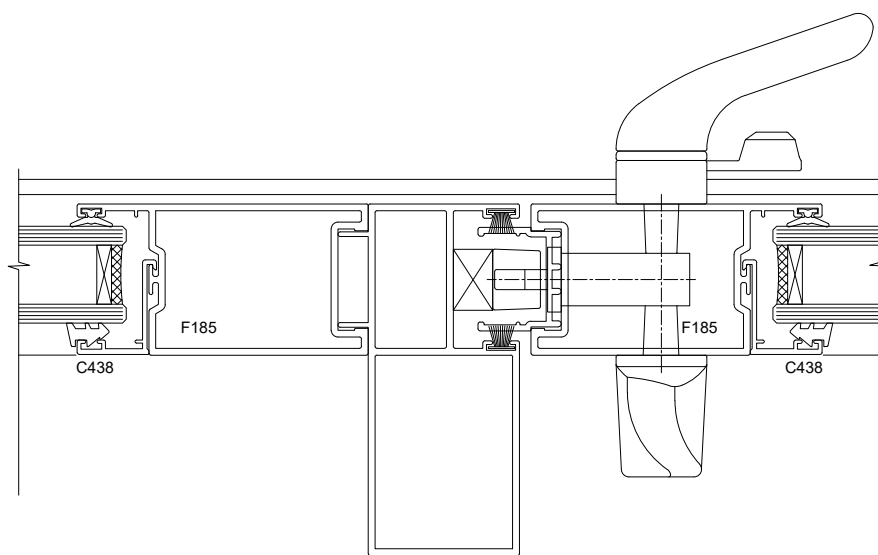
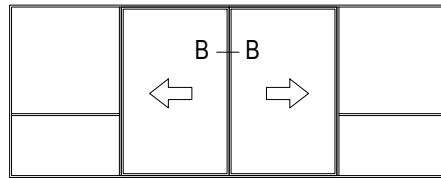
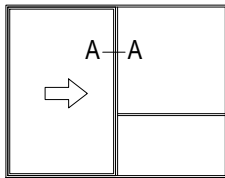
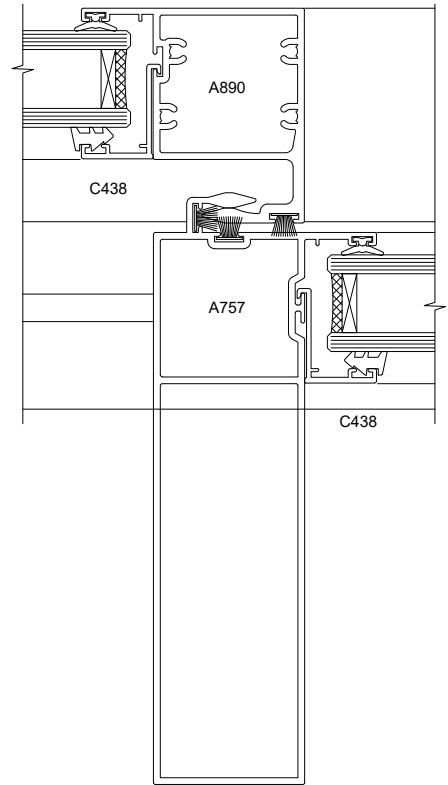
SECTION A-A



SECTION A-A



SECTION A-A



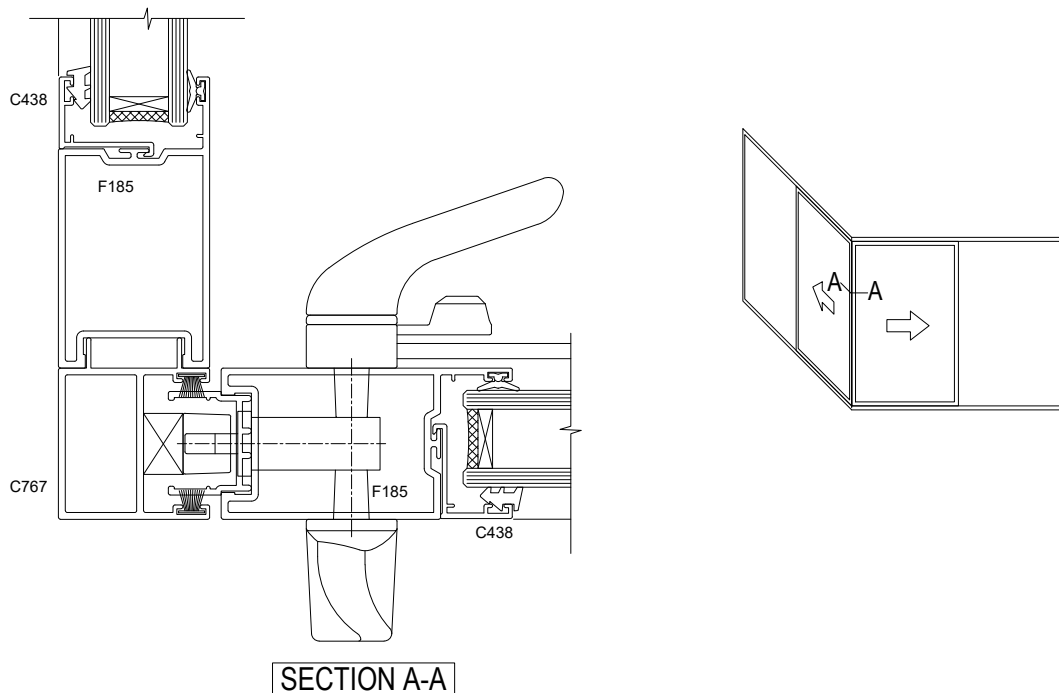
A747
SECTION B-B

SLIDING DOOR

FAIRVIEW SYSTEMS LIMITED SPECIFIERS GUIDE 2014 © TECHNICAL SPECIFICATIONS & PROFILE DETAILS SUBJECT TO CHANGE WITHOUT NOTICE

ARCHITECTURAL CUBIC 40 COMPLETE SUITE

DATE 11.06.2018	SCALE 1:2
REF. AC40.0114	

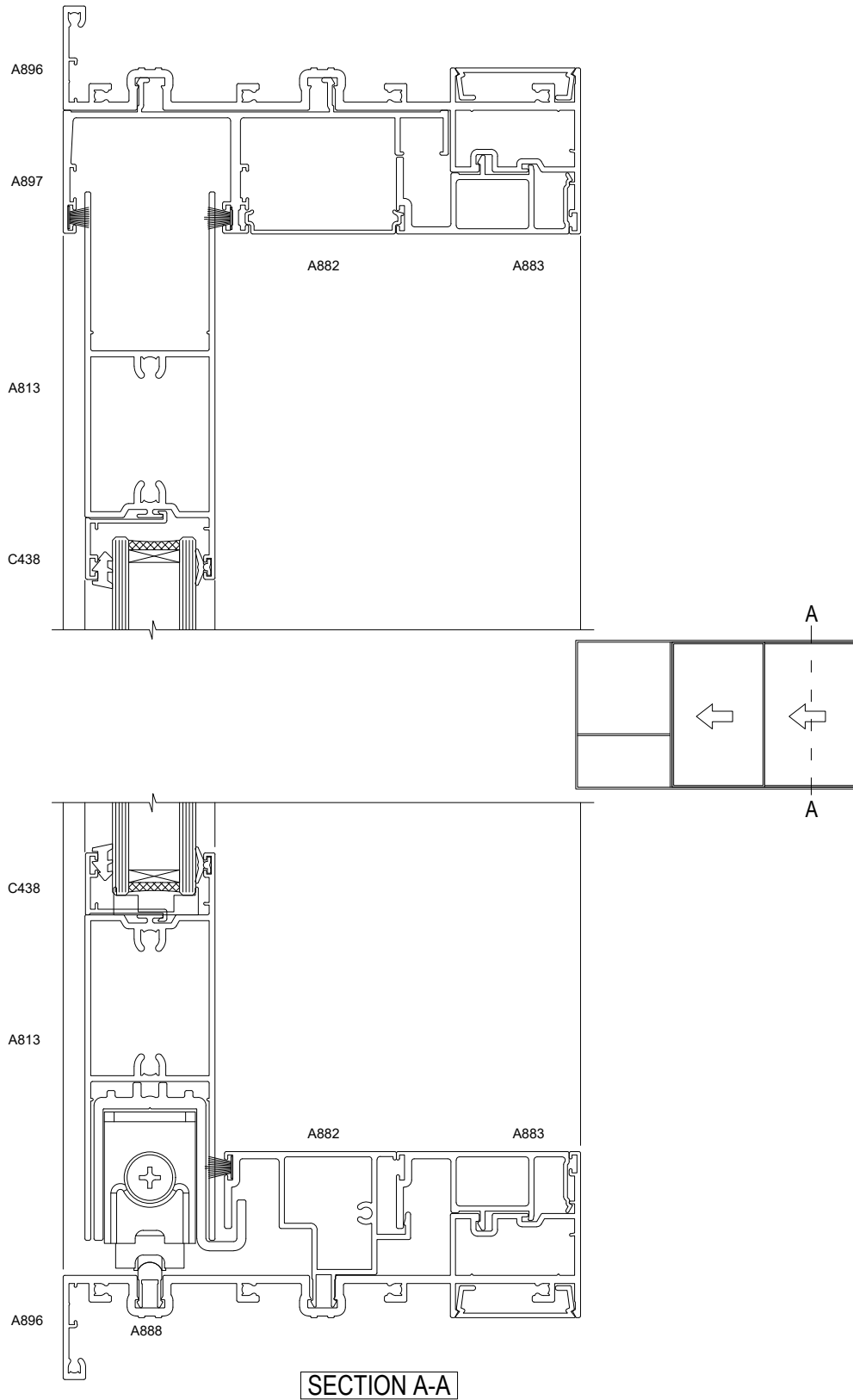


SLIDING DOOR

FAIRVIEW SYSTEMS LIMITED SPECIFIERS GUIDE 2014 © TECHNICAL SPECIFICATIONS & PROFILE DETAILS SUBJECT TO CHANGE WITHOUT NOTICE

ARCHITECTURAL CUBIC 40 COMPLETE SUITE

DATE 11.06.2018	SCALE 1:2
REF. AC40.0115	

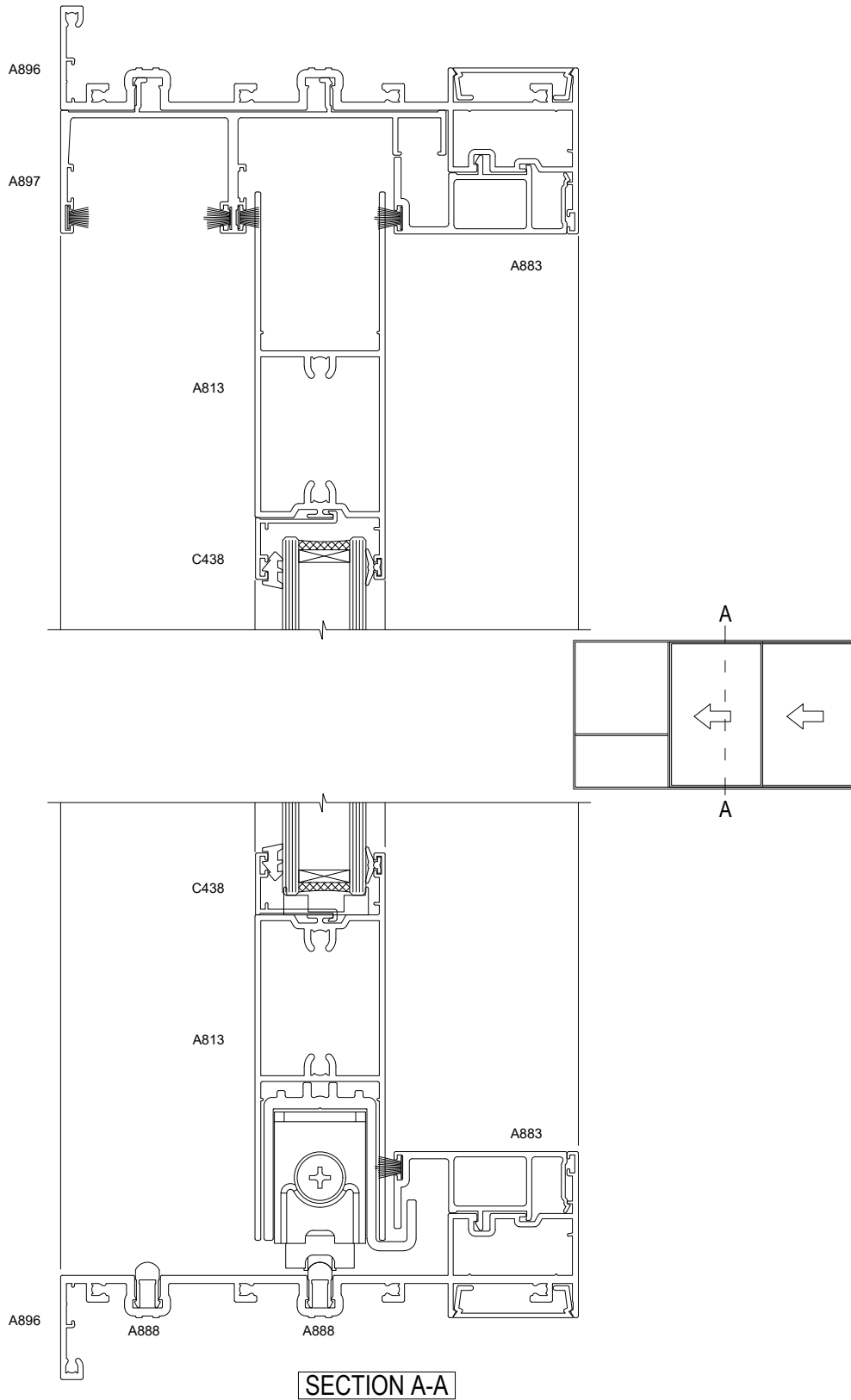


EXTERNAL STACKERS

FAIRVIEW SYSTEMS LIMITED SPECIFIERS GUIDE 2014 © TECHNICAL SPECIFICATIONS & PROFILE DETAILS SUBJECT TO CHANGE WITHOUT NOTICE

ARCHITECTURAL CUBIC 40 COMPLETE SUITE

DATE 11.06.2018	SCALE 1:2
REF. AC40.0121	

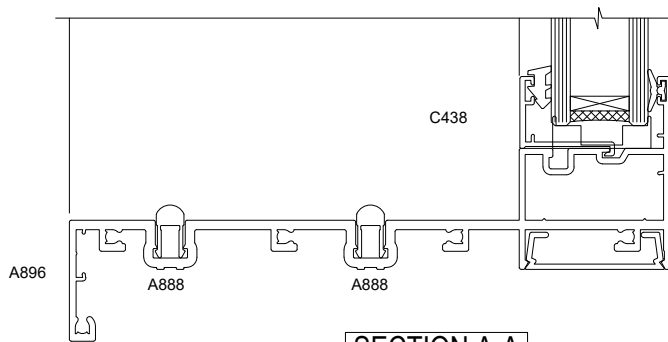
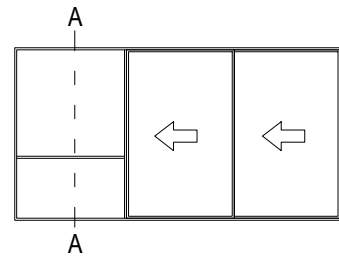
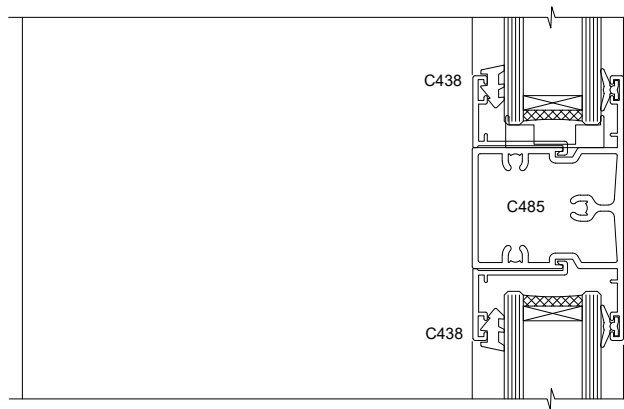
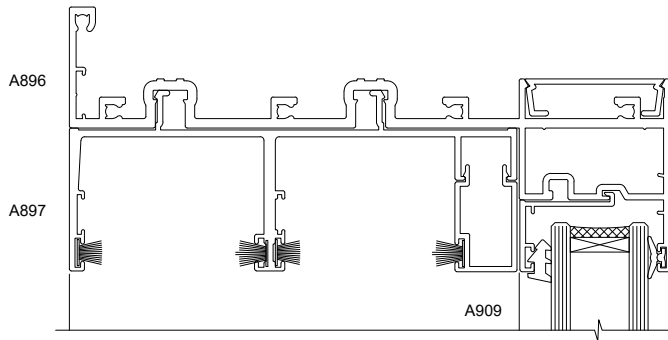


EXTERNAL STACKERS

FAIRVIEW SYSTEMS LIMITED SPECIFIERS GUIDE 2014 © TECHNICAL SPECIFICATIONS & PROFILE DETAILS SUBJECT TO CHANGE WITHOUT NOTICE

ARCHITECTURAL CUBIC 40 COMPLETE SUITE

DATE 11.06.2018	SCALE 1:2
REF. AC40.0122	



SECTION A-A

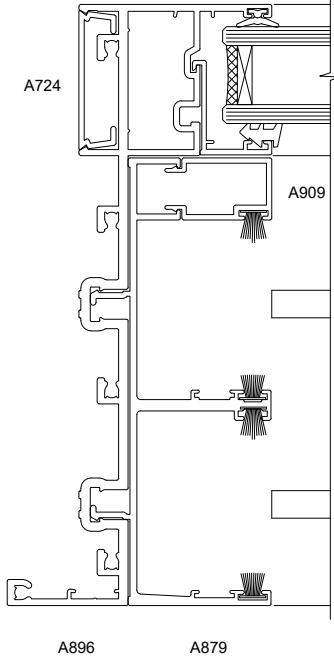
EXTERNAL STACKERS

FAIRVIEW SYSTEMS LIMITED SPECIFIERS GUIDE 2014 © TECHNICAL SPECIFICATIONS & PROFILE DETAILS SUBJECT TO CHANGE WITHOUT NOTICE

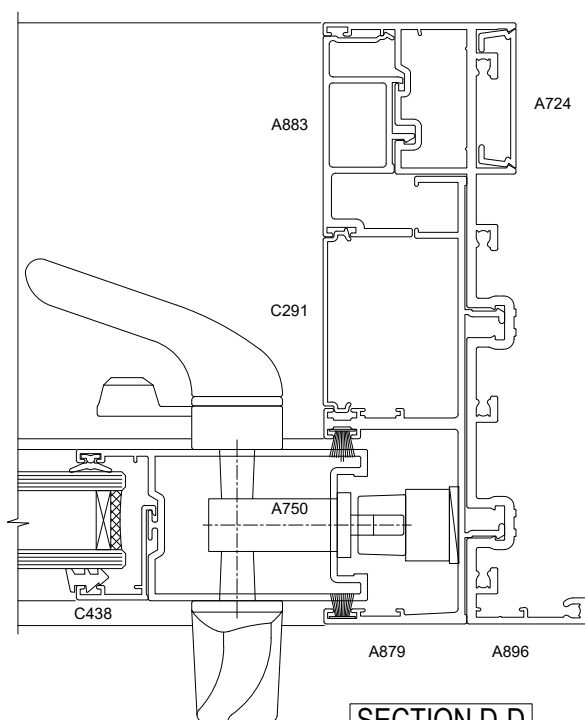
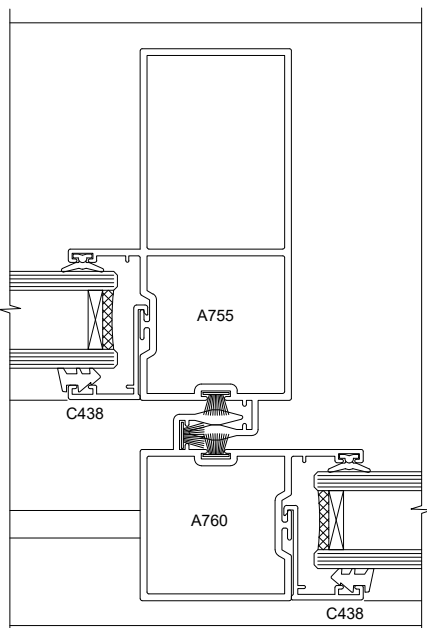
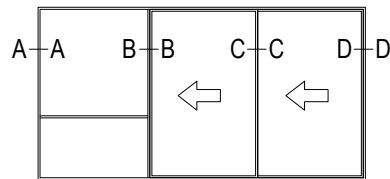
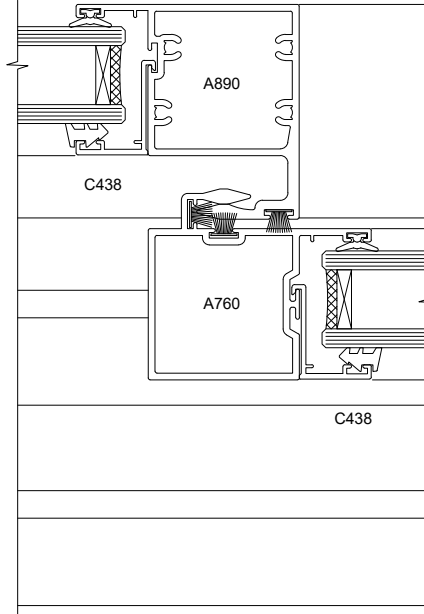
ARCHITECTURAL CUBIC 40 COMPLETE SUITE

DATE 11.06.2018	SCALE 1:2
REF. AC40.0123	

SECTION A-A



SECTION B-B



SECTION C-C

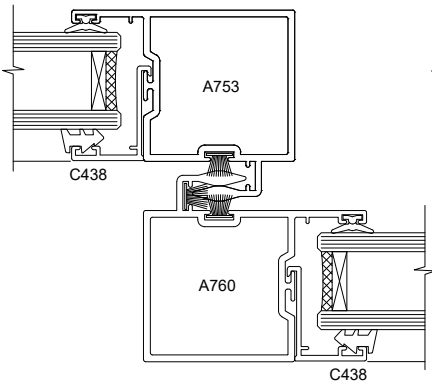
EXTERNAL STACKERS

SECTION D-D

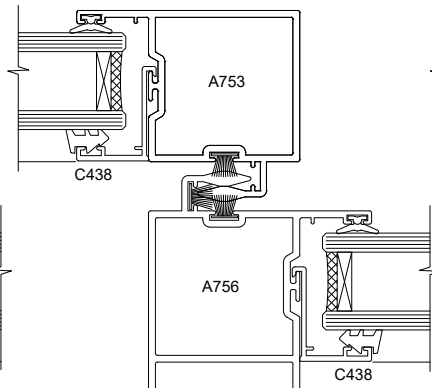
FAIRVIEW SYSTEMS LIMITED SPECIFIERS GUIDE 2014 © TECHNICAL SPECIFICATIONS & PROFILE DETAILS SUBJECT TO CHANGE WITHOUT NOTICE

ARCHITECTURAL CUBIC 40 COMPLETE SUITE

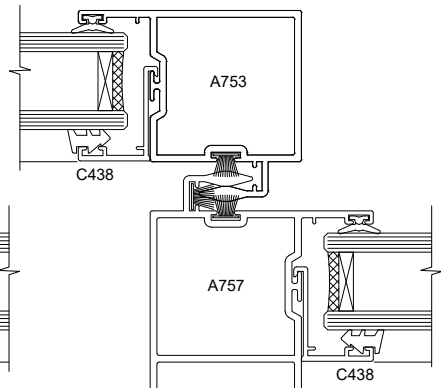
DATE 11.06.2018	SCALE 1:2
REF. AC40.0124	



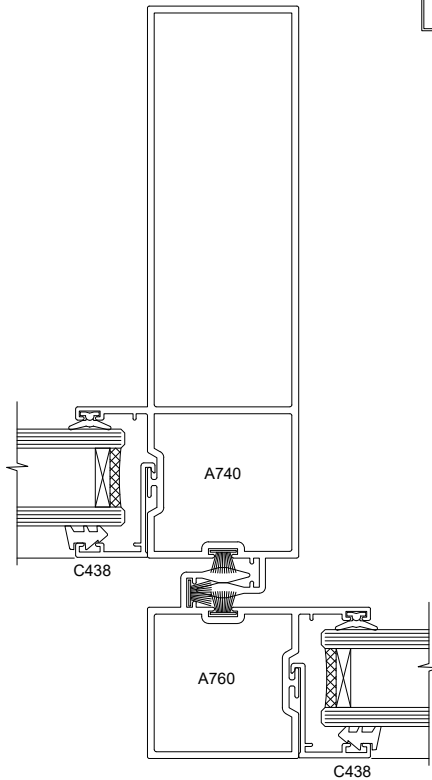
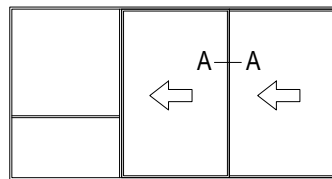
SECTION A-A



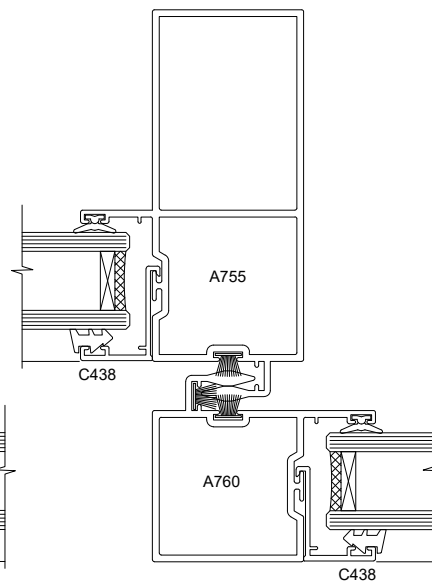
SECTION A-A



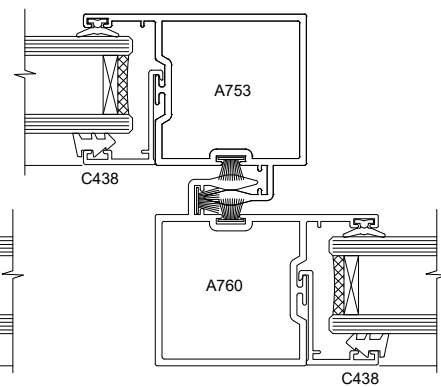
SECTION A-A



SECTION A-A



SECTION A-A



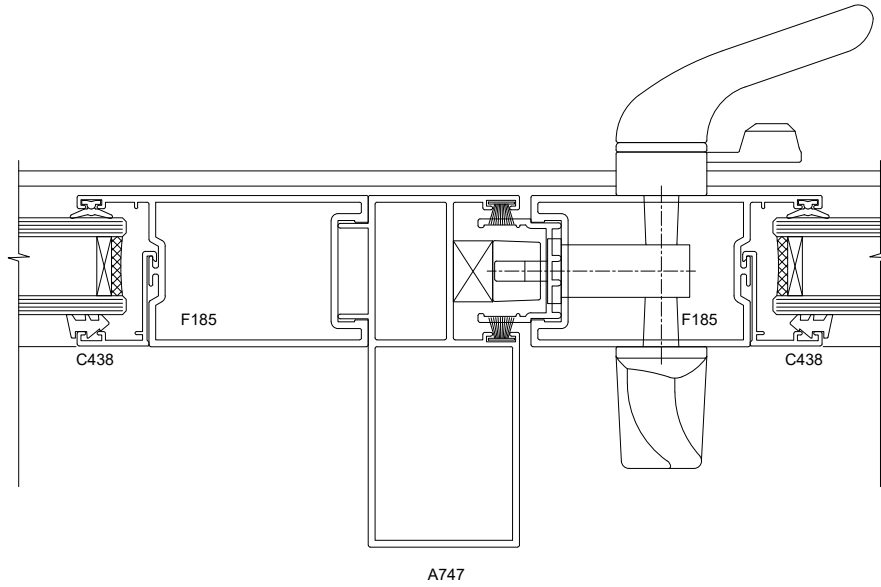
SECTION A-A

EXTERNAL STACKERS

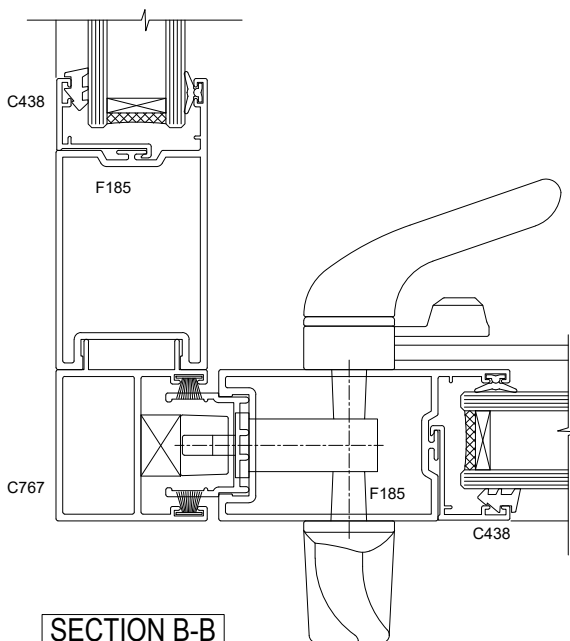
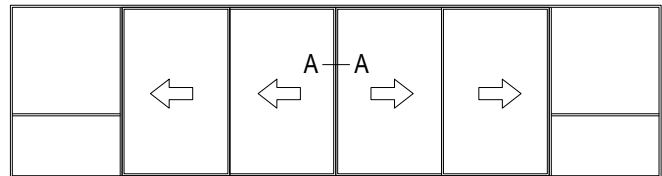
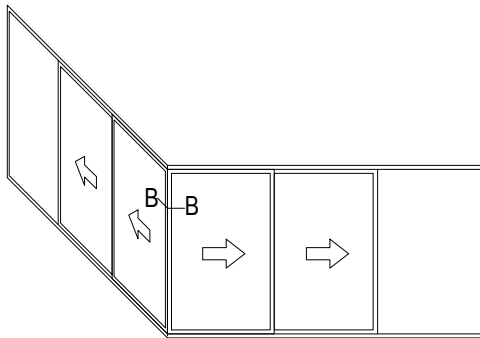
FAIRVIEW SYSTEMS LIMITED SPECIFIERS GUIDE 2014 © TECHNICAL SPECIFICATIONS & PROFILE DETAILS SUBJECT TO CHANGE WITHOUT NOTICE

ARCHITECTURAL CUBIC 40 COMPLETE SUITE

DATE 11.06.2018	SCALE 1:2
REF. AC40.0125	



SECTION A-A



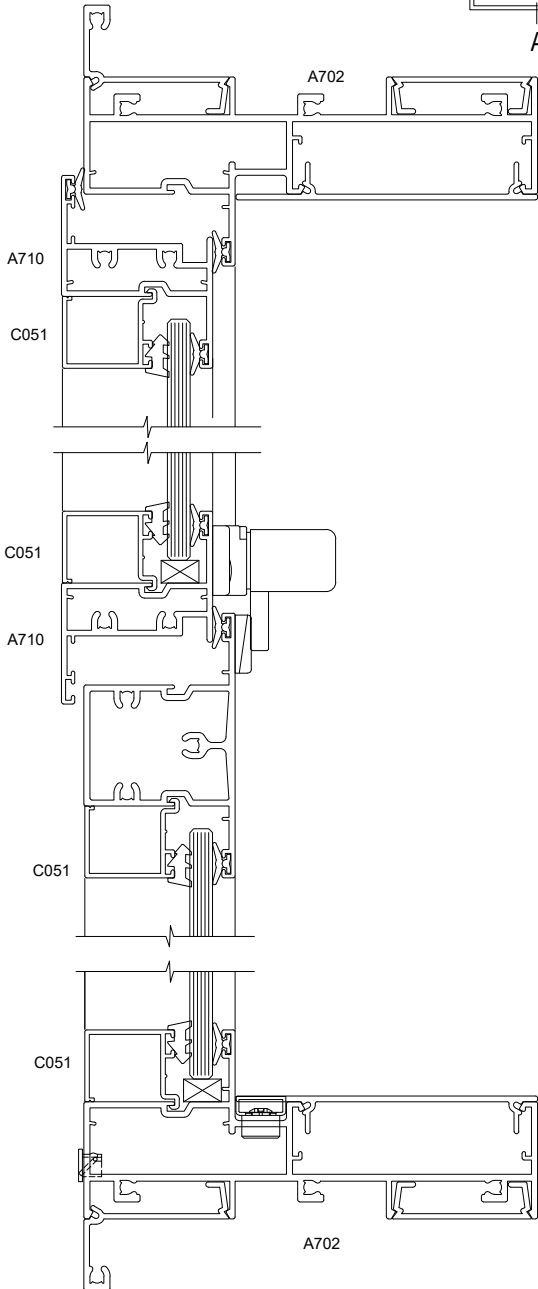
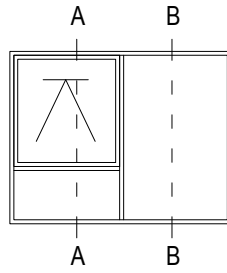
SECTION B-B

SLIDING DOOR

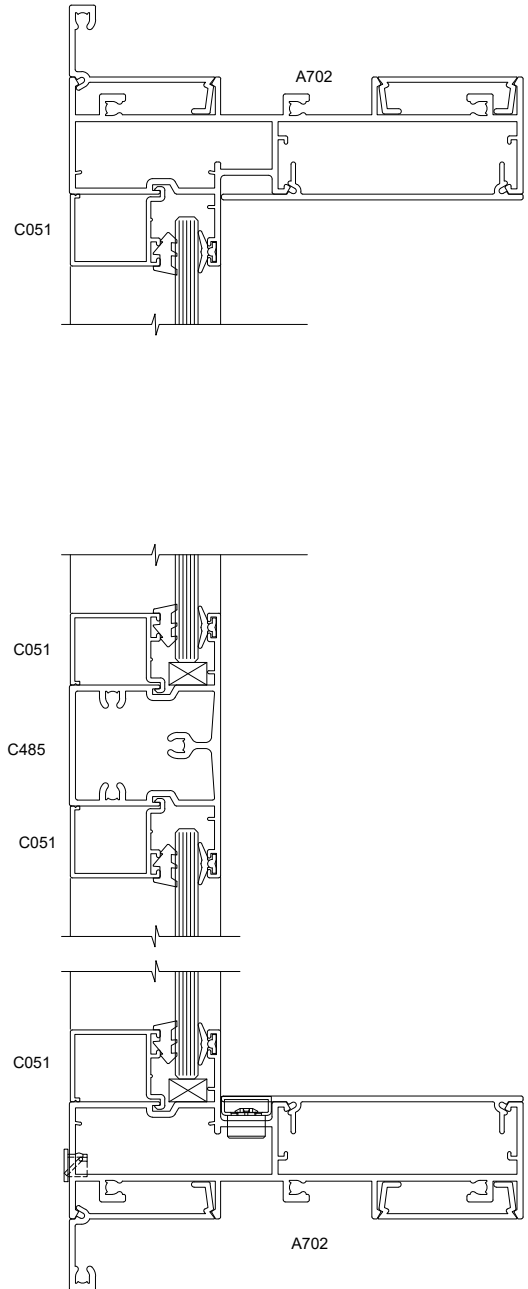
FAIRVIEW SYSTEMS LIMITED SPECIFIERS GUIDE 2014 © TECHNICAL SPECIFICATIONS & PROFILE DETAILS SUBJECT TO CHANGE WITHOUT NOTICE

ARCHITECTURAL CUBIC 40 COMPLETE SUITE

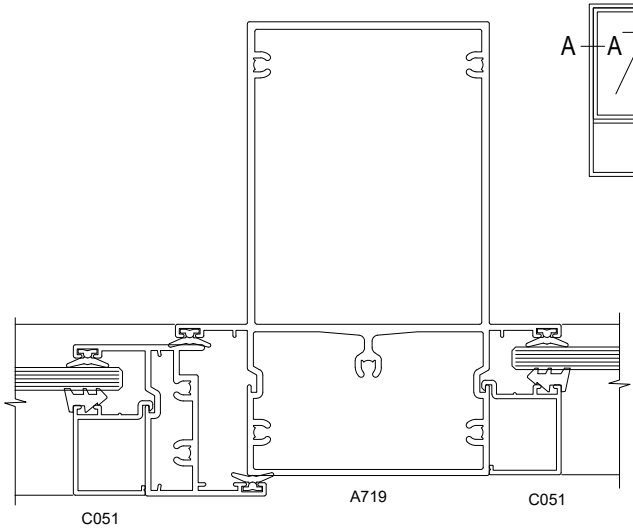
DATE 11.06.2018	SCALE 1:2
REF. AC40.0126	



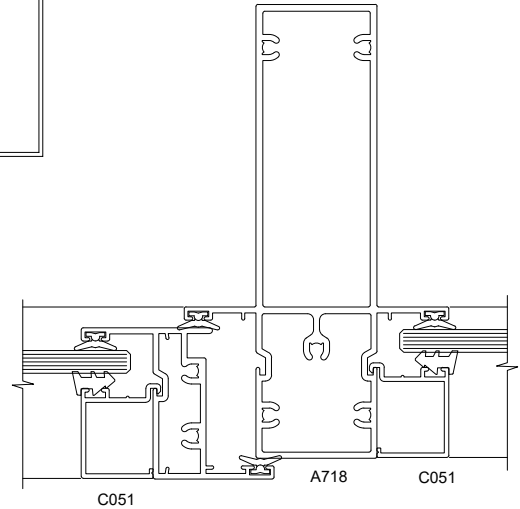
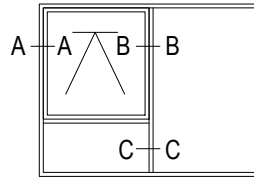
SECTION A-A



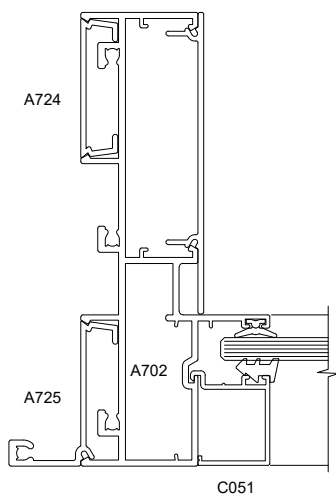
SECTION B-B



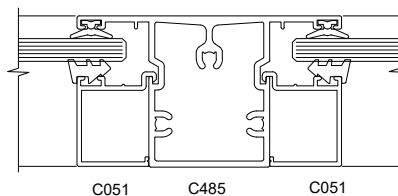
SECTION B-B



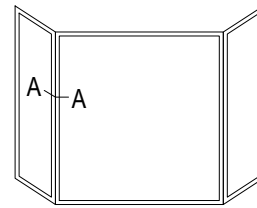
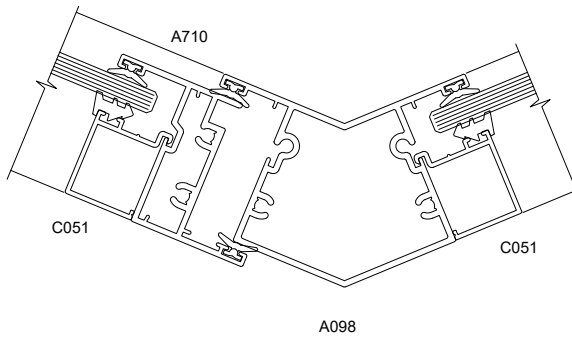
SECTION B-B



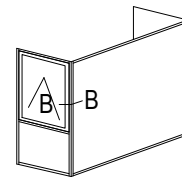
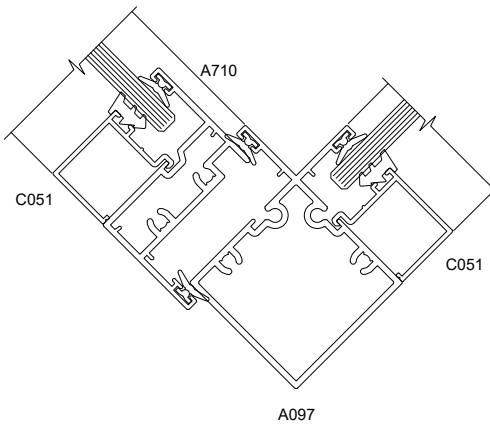
SECTION A-A



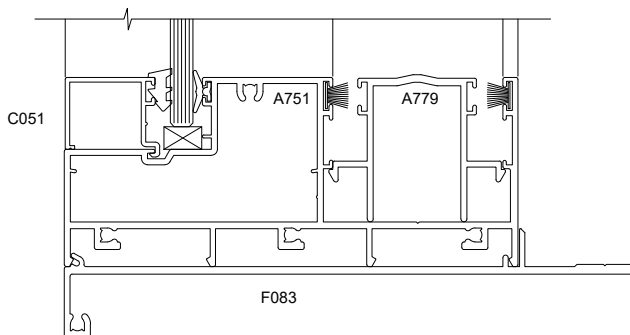
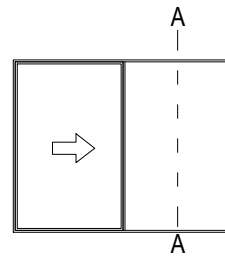
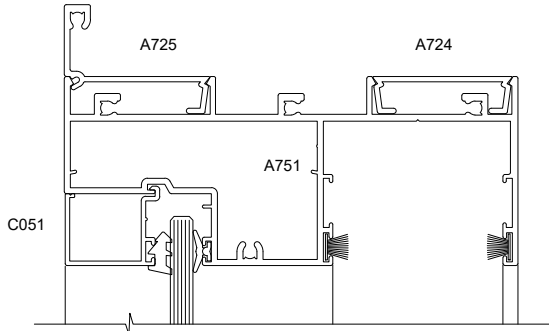
SECTION C-C



SECTION A-A



SECTION B-B



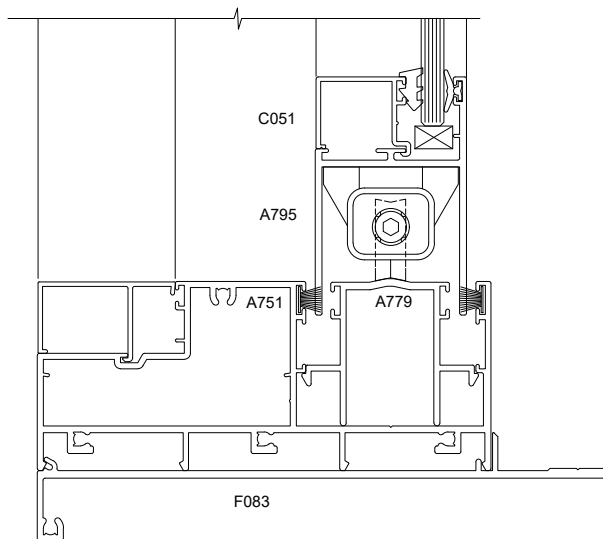
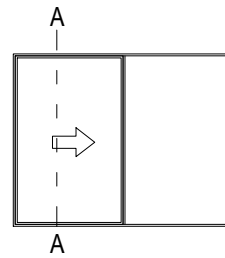
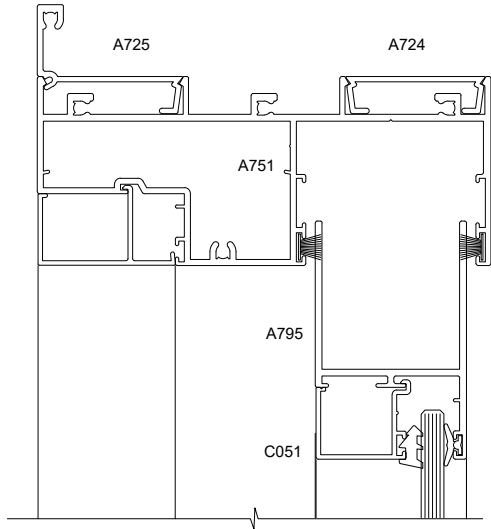
SECTION A-A

SLIDING WINDOW

FAIRVIEW SYSTEMS LIMITED SPECIFIERS GUIDE 2014 © TECHNICAL SPECIFICATIONS & PROFILE DETAILS SUBJECT TO CHANGE WITHOUT NOTICE

ARCHITECTURAL CUBIC 40 COMPLETE SUITE

DATE 11.06.2018	SCALE 1:2
REF. AC40.1011	



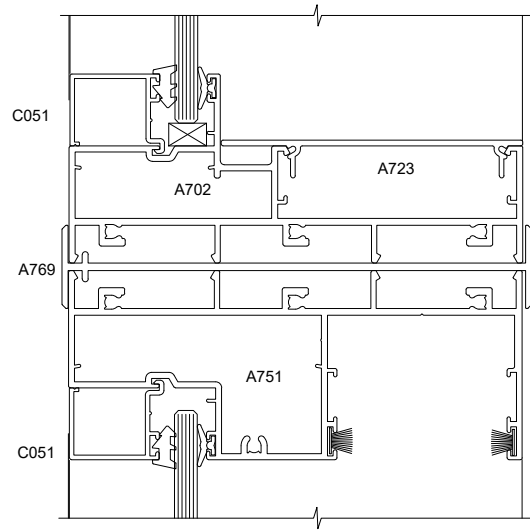
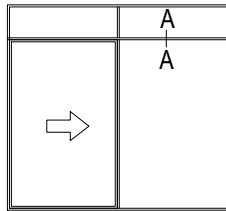
SECTION A-A

SLIDING WINDOW

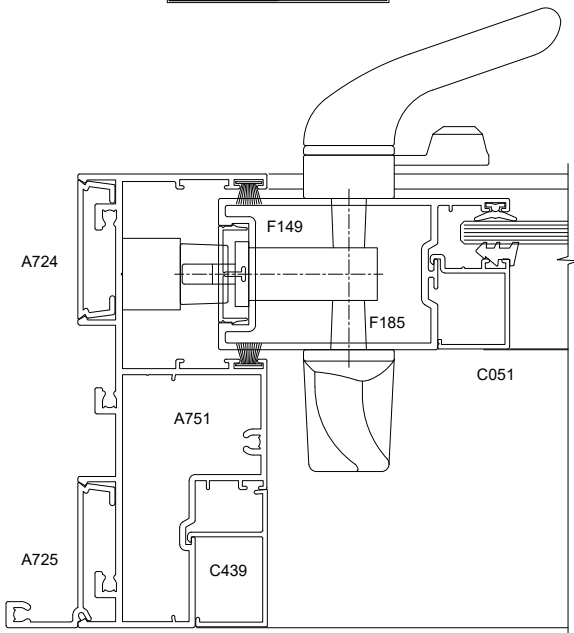
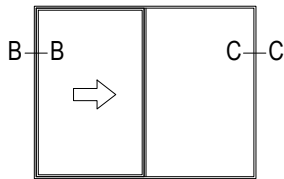
FAIRVIEW SYSTEMS LIMITED SPECIFIERS GUIDE 2014 © TECHNICAL SPECIFICATIONS & PROFILE DETAILS SUBJECT TO CHANGE WITHOUT NOTICE

ARCHITECTURAL CUBIC 40 COMPLETE SUITE

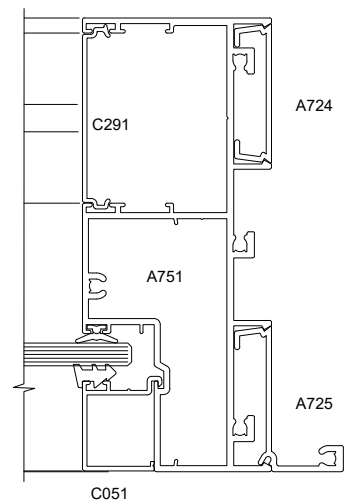
DATE 11.06.2018	SCALE 1:2
REF. AC40.1012	



SECTION A-A



SECTION B-B



SLIDING WINDOW

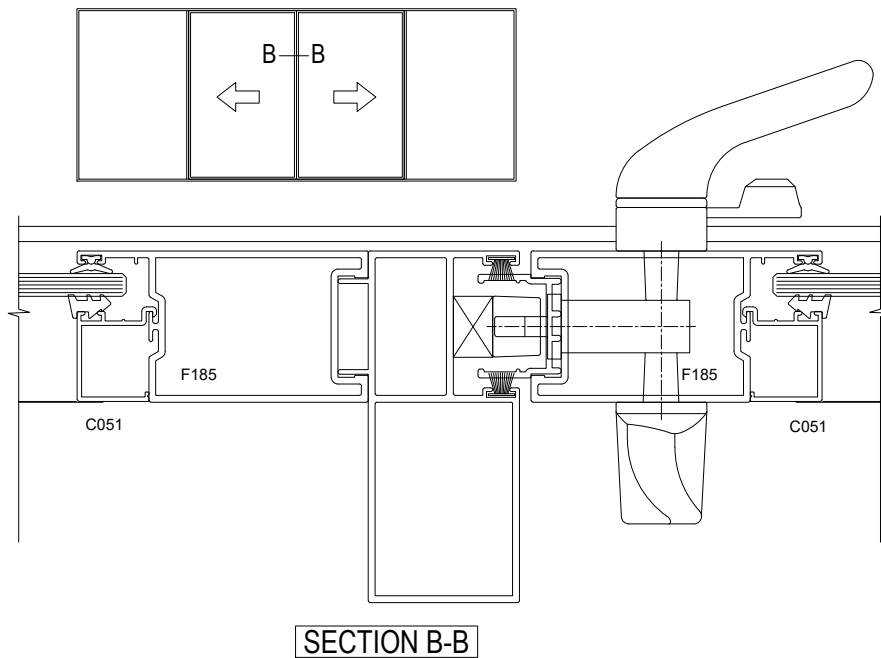
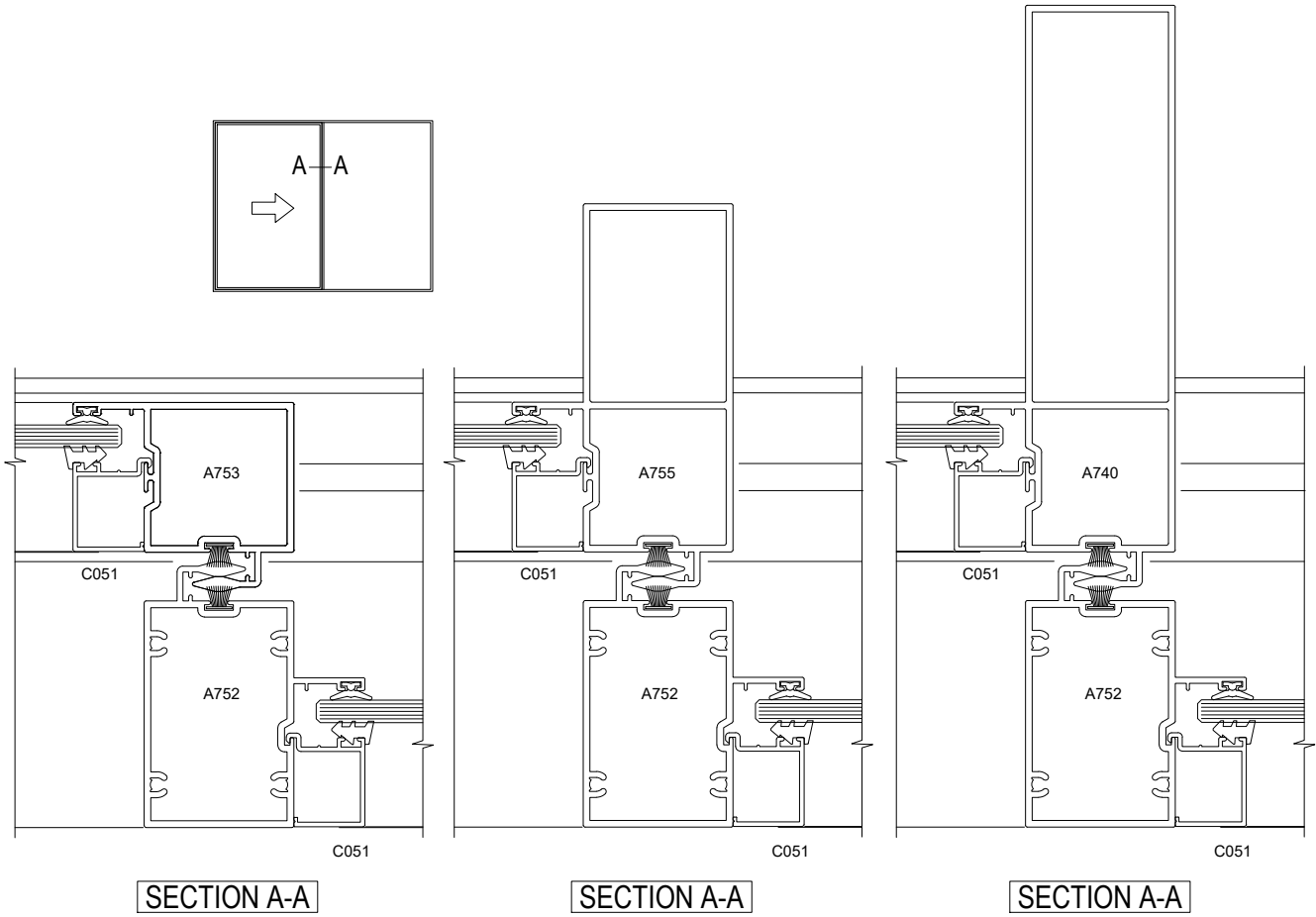
FAIRVIEW SYSTEMS LIMITED SPECIFIERS GUIDE 2014 © TECHNICAL SPECIFICATIONS & PROFILE DETAILS SUBJECT TO CHANGE WITHOUT NOTICE

ARCHITECTURAL CUBIC 40 COMPLETE SUITE

DATE
11.06.2018

SCALE
1:2

REF. AC40.1013

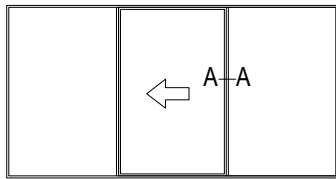


SLIDING WINDOW

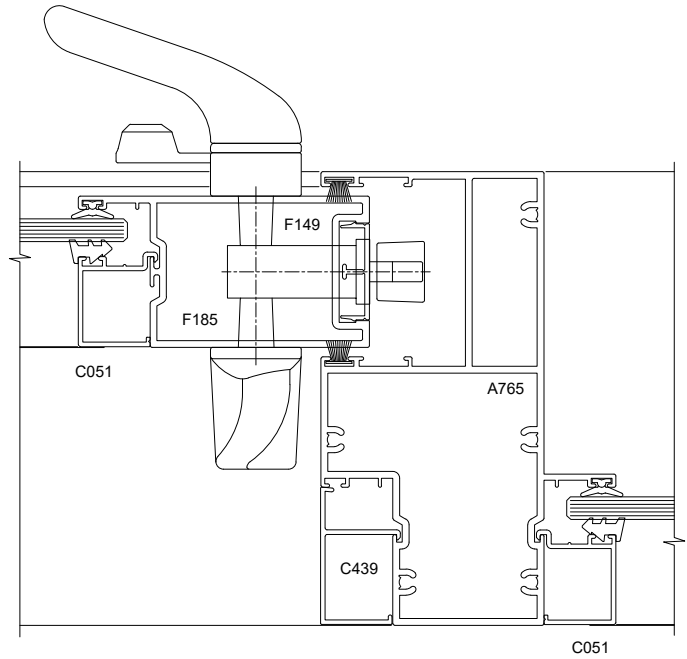
FAIRVIEW SYSTEMS LIMITED SPECIFIERS GUIDE 2014 © TECHNICAL SPECIFICATIONS & PROFILE DETAILS SUBJECT TO CHANGE WITHOUT NOTICE

ARCHITECTURAL CUBIC 40 COMPLETE SUITE

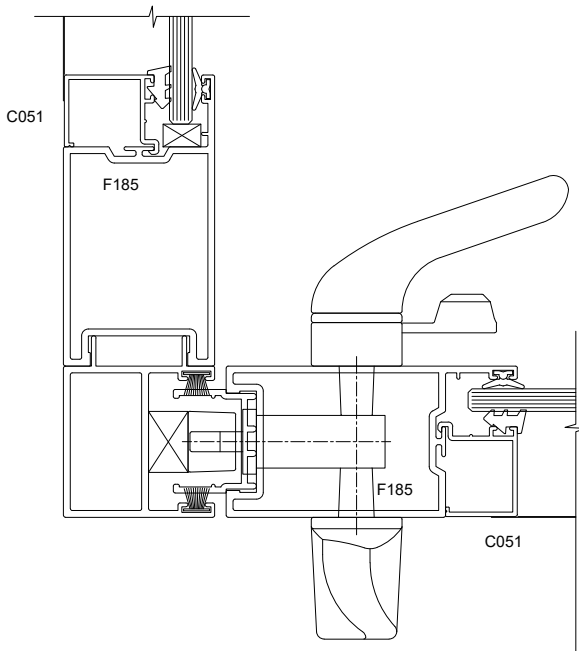
DATE 11.06.2018	SCALE 1:2
REF. AC40.1014	



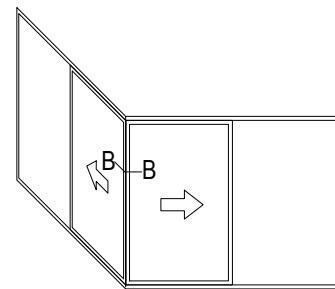
7



SECTION A-A



SECTION B-B

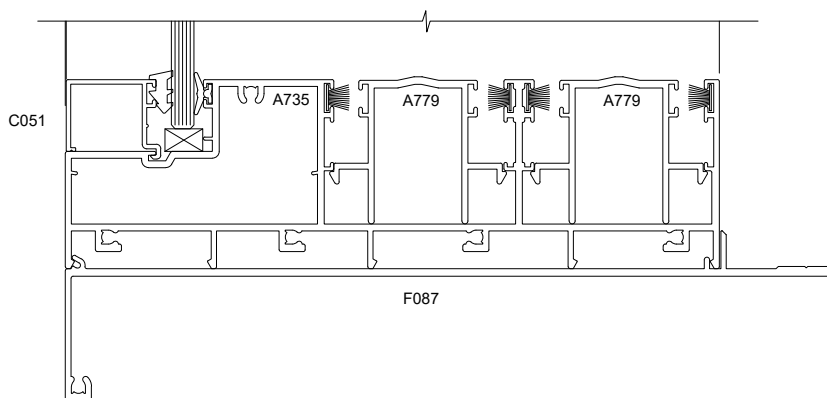
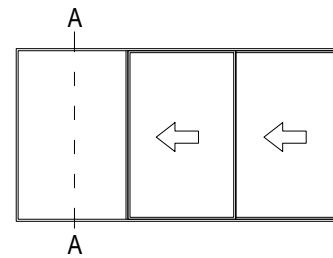
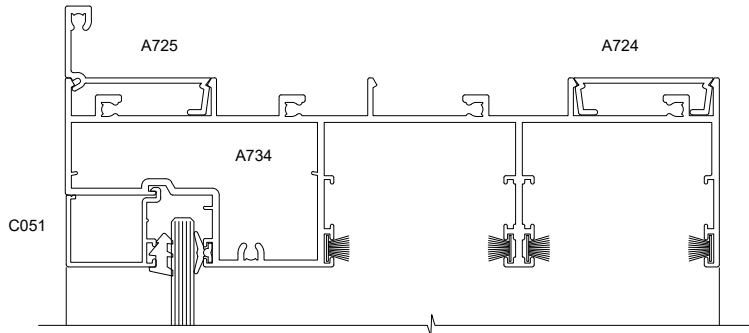


SLIDING WINDOW

FAIRVIEW SYSTEMS LIMITED SPECIFIERS GUIDE 2014 © TECHNICAL SPECIFICATIONS & PROFILE DETAILS SUBJECT TO CHANGE WITHOUT NOTICE

ARCHITECTURAL CUBIC 40 COMPLETE SUITE

DATE 11.06.2018	SCALE 1:2
REF. AC40.1015	



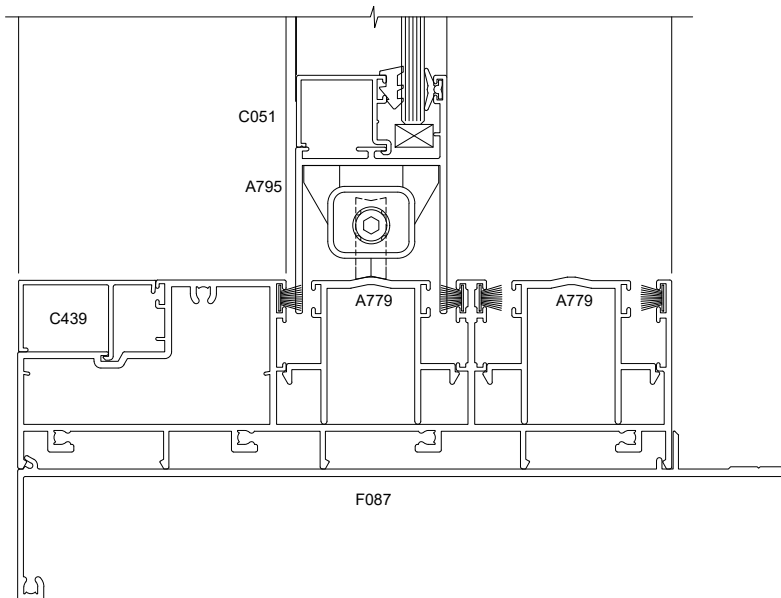
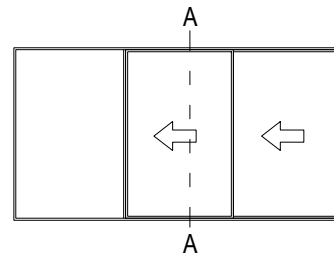
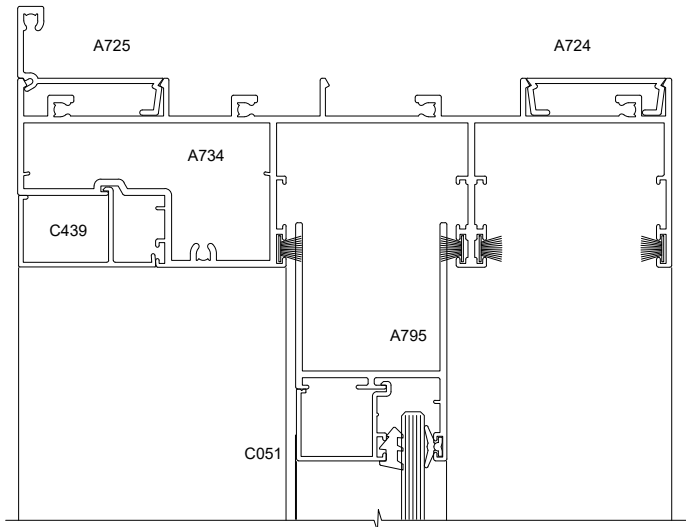
SECTION A-A

STACKING WINDOW

FAIRVIEW SYSTEMS LIMITED SPECIFIERS GUIDE 2014 © TECHNICAL SPECIFICATIONS & PROFILE DETAILS SUBJECT TO CHANGE WITHOUT NOTICE

ARCHITECTURAL CUBIC 40 COMPLETE SUITE

DATE 11.06.2018	SCALE 1:2
REF. AC40.1021	



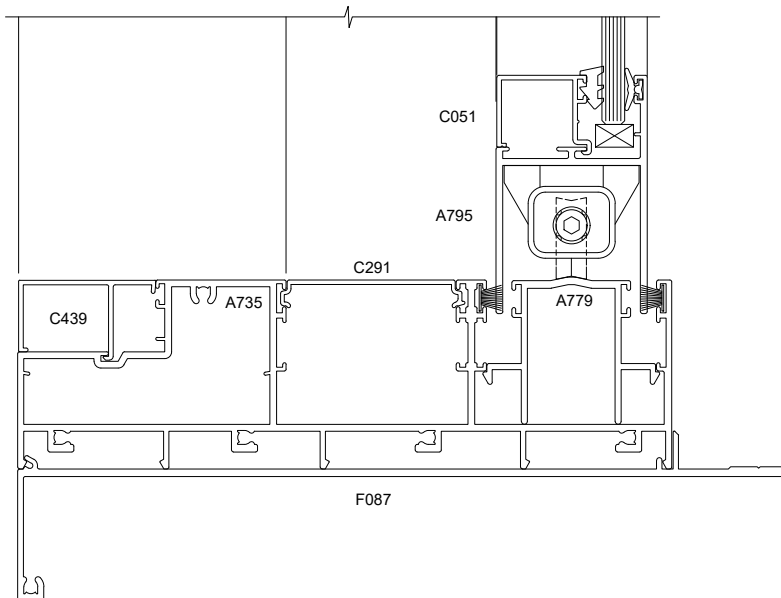
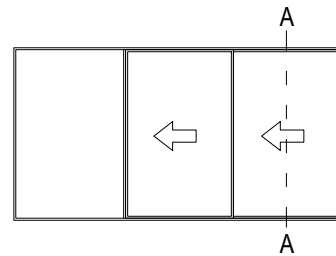
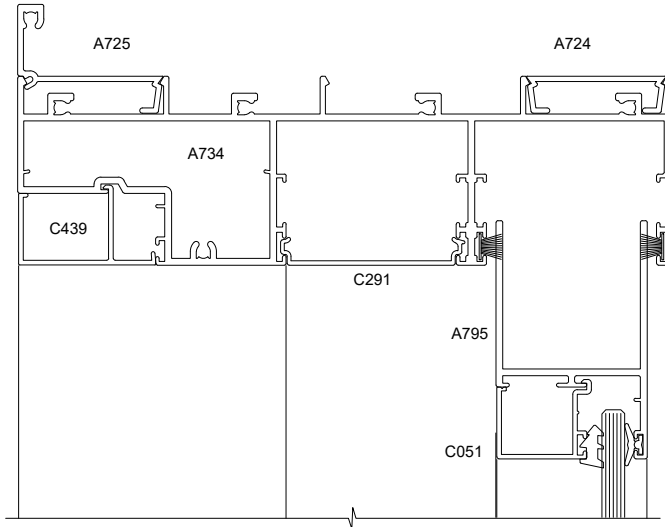
SECTION A-A

STACKING WINDOW

FAIRVIEW SYSTEMS LIMITED SPECIFIERS GUIDE 2014 © TECHNICAL SPECIFICATIONS & PROFILE DETAILS SUBJECT TO CHANGE WITHOUT NOTICE

ARCHITECTURAL CUBIC 40 COMPLETE SUITE

DATE 11.06.2018	SCALE 1:2
REF. AC40.1022	



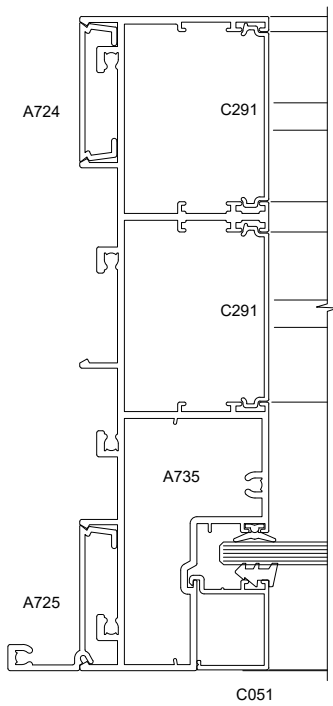
SECTION A-A

STACKING WINDOW

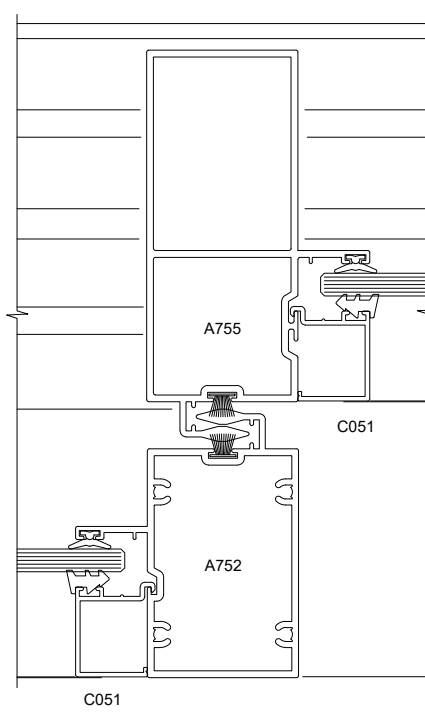
FAIRVIEW SYSTEMS LIMITED SPECIFIERS GUIDE 2014 © TECHNICAL SPECIFICATIONS & PROFILE DETAILS SUBJECT TO CHANGE WITHOUT NOTICE

ARCHITECTURAL CUBIC 40 COMPLETE SUITE

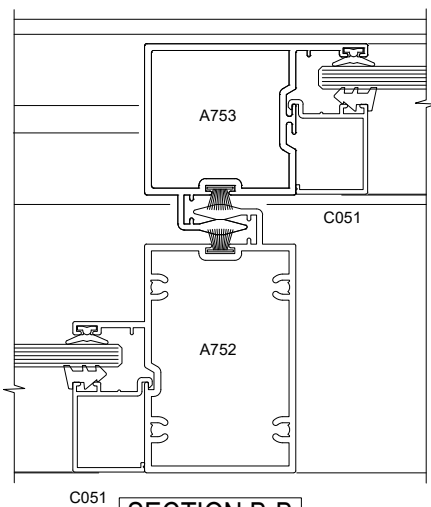
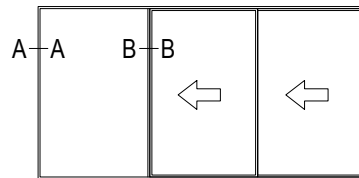
DATE 11.06.2018	SCALE 1:2
REF. AC40.1023	



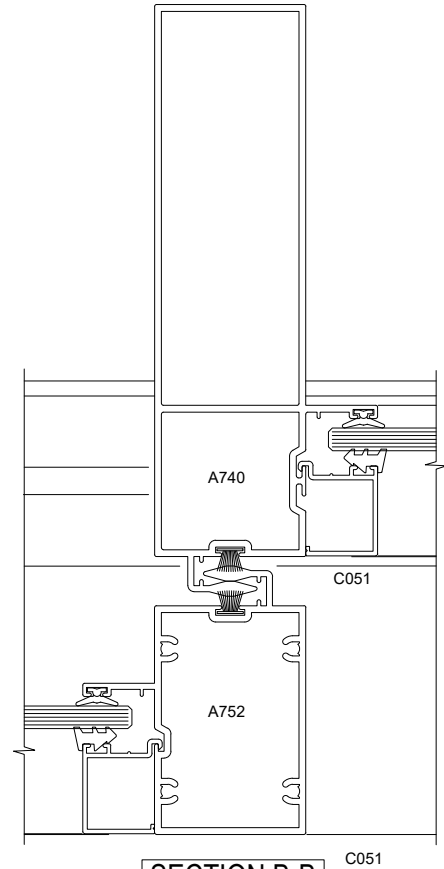
SECTION A-A



SECTION B-B



SECTION B-B



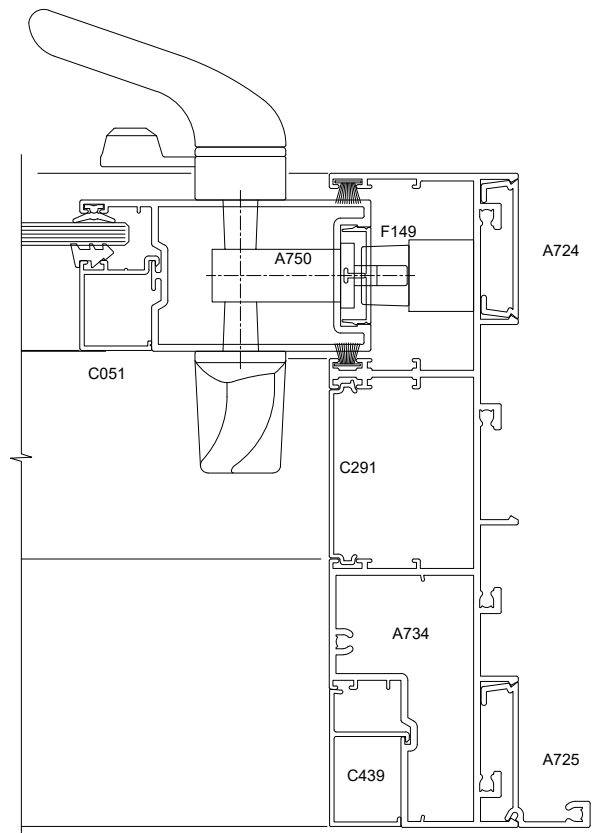
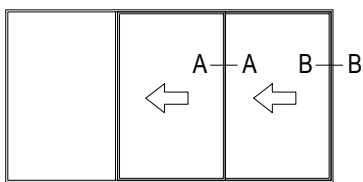
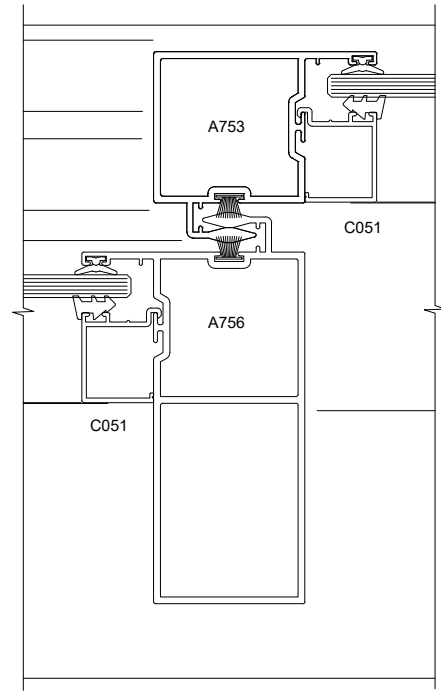
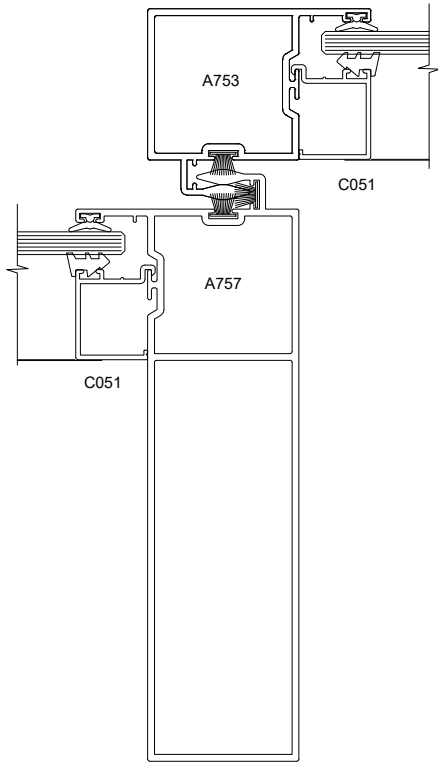
SECTION B-B

STACKING WINDOW

FAIRVIEW SYSTEMS LIMITED SPECIFIERS GUIDE 2014 © TECHNICAL SPECIFICATIONS & PROFILE DETAILS SUBJECT TO CHANGE WITHOUT NOTICE

ARCHITECTURAL CUBIC 40 COMPLETE SUITE

DATE 11.06.2018	SCALE 1:2
REF. AC40.1024	

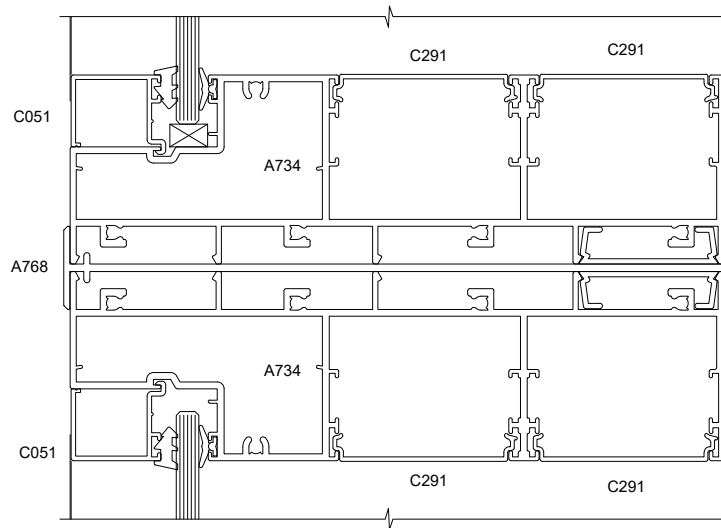
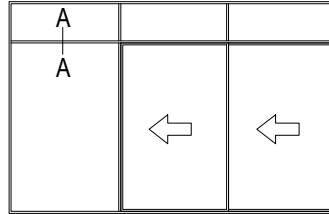


STACKING WINDOW

FAIRVIEW SYSTEMS LIMITED SPECIFIERS GUIDE 2014 © TECHNICAL SPECIFICATIONS & PROFILE DETAILS SUBJECT TO CHANGE WITHOUT NOTICE

ARCHITECTURAL CUBIC 40 COMPLETE SUITE

DATE 11.06.2018	SCALE 1:2
REF. AC40.1025	



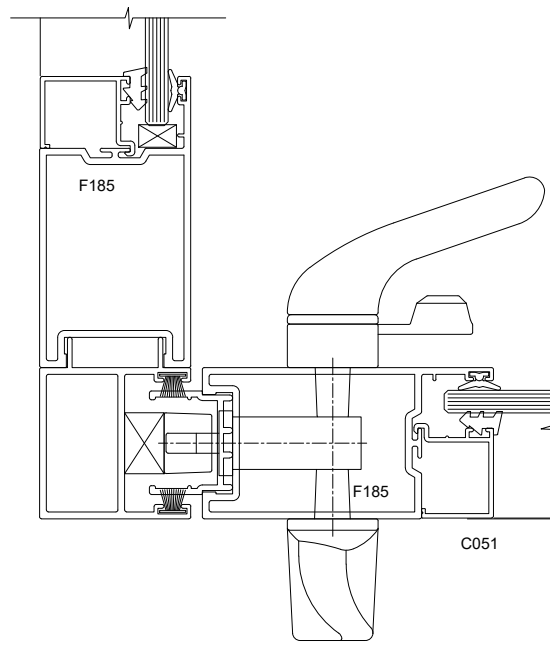
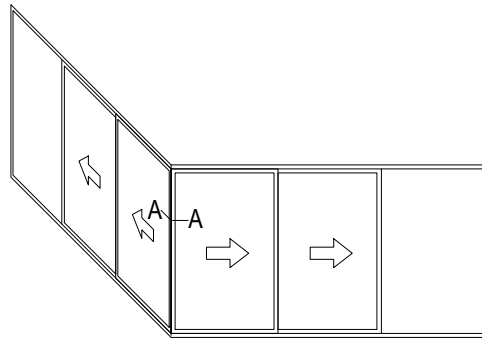
SECTION A-A

STACKING WINDOW

FAIRVIEW SYSTEMS LIMITED SPECIFIERS GUIDE 2014 © TECHNICAL SPECIFICATIONS & PROFILE DETAILS SUBJECT TO CHANGE WITHOUT NOTICE

ARCHITECTURAL CUBIC 40 COMPLETE SUITE

DATE 11.06.2018	SCALE 1:2
REF. AC40.1026	



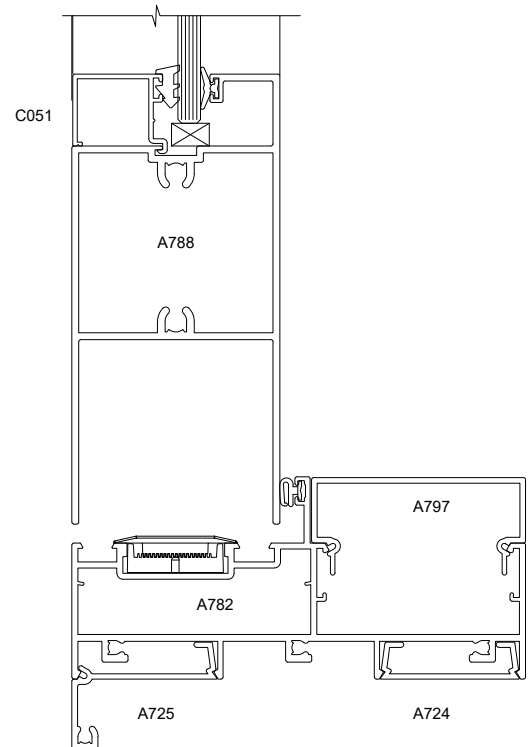
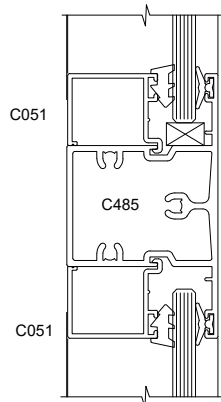
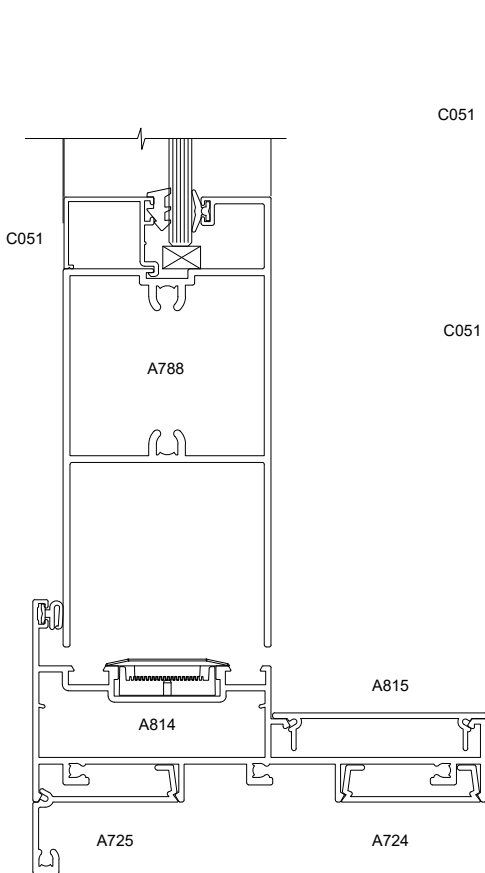
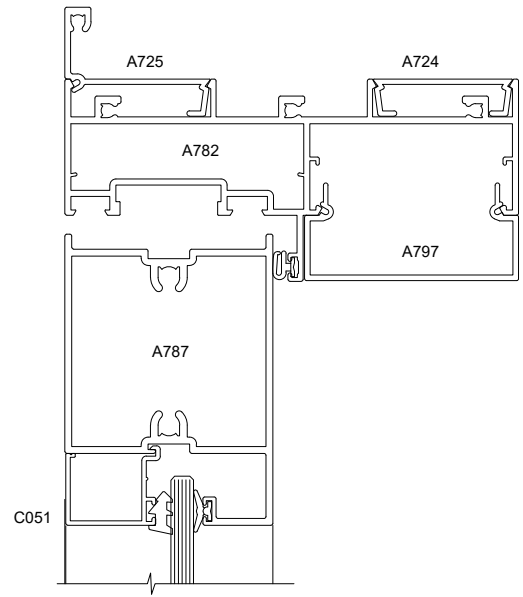
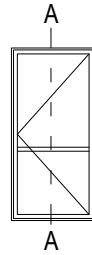
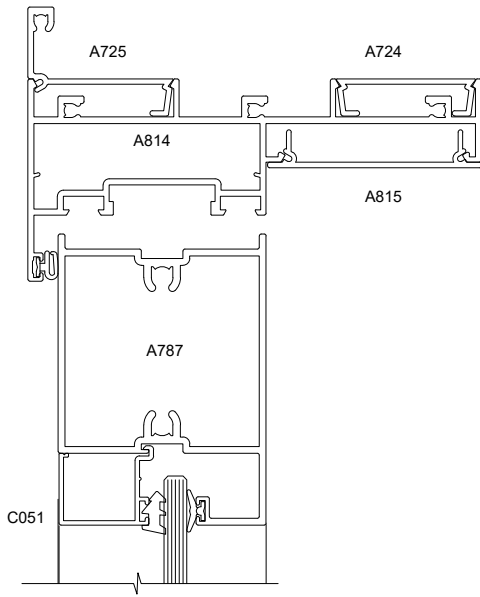
SECTION A-A

STACKING WINDOW

FAIRVIEW SYSTEMS LIMITED SPECIFIERS GUIDE 2014 © TECHNICAL SPECIFICATIONS & PROFILE DETAILS SUBJECT TO CHANGE WITHOUT NOTICE

ARCHITECTURAL CUBIC 40 COMPLETE SUITE

DATE 11.06.2018	SCALE 1:2
REF. AC40.1027	



SECTION A-A

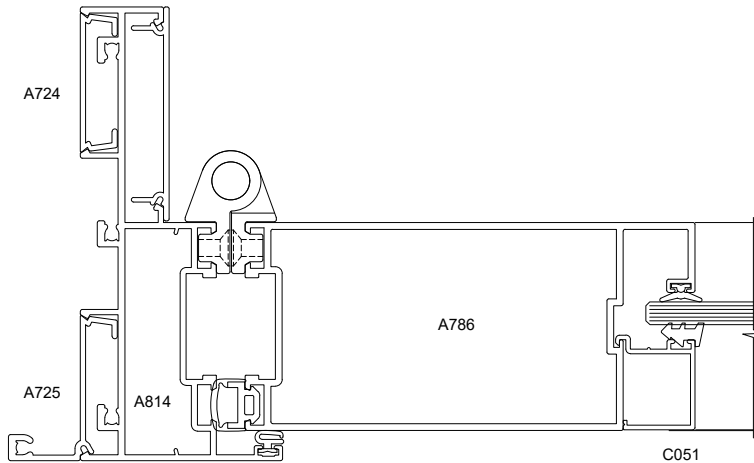
SECTION A-A

HINGED DOOR

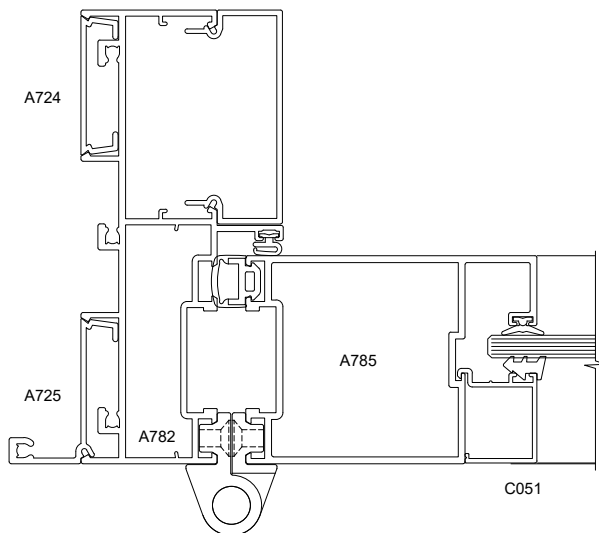
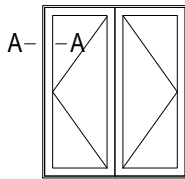
FAIRVIEW SYSTEMS LIMITED SPECIFIERS GUIDE 2014 © TECHNICAL SPECIFICATIONS & PROFILE DETAILS SUBJECT TO CHANGE WITHOUT NOTICE

ARCHITECTURAL CUBIC 40 COMPLETE SUITE

DATE 11.06.2018	SCALE 1:2
REF. AC40.1031	



SECTION A-A
WIDE STILE OPTION



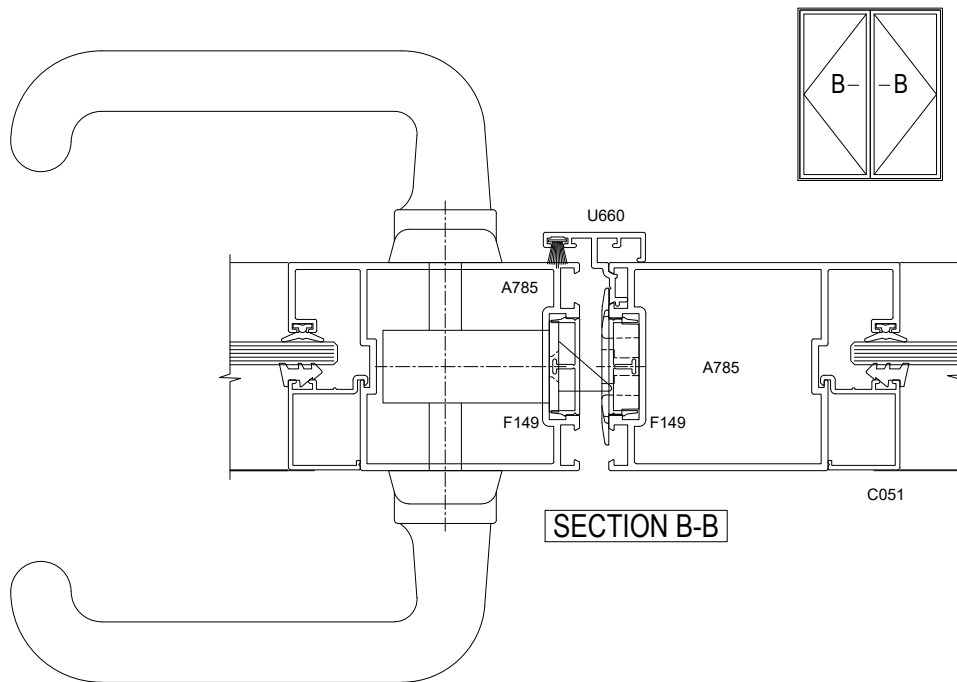
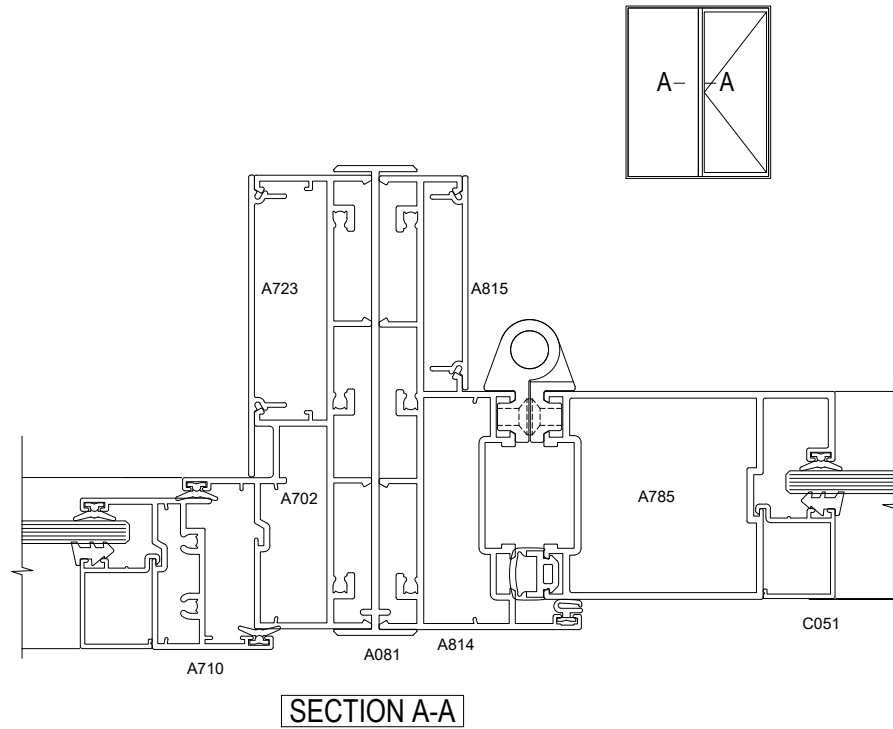
SECTION A-A
STANDARD STILE OPTION

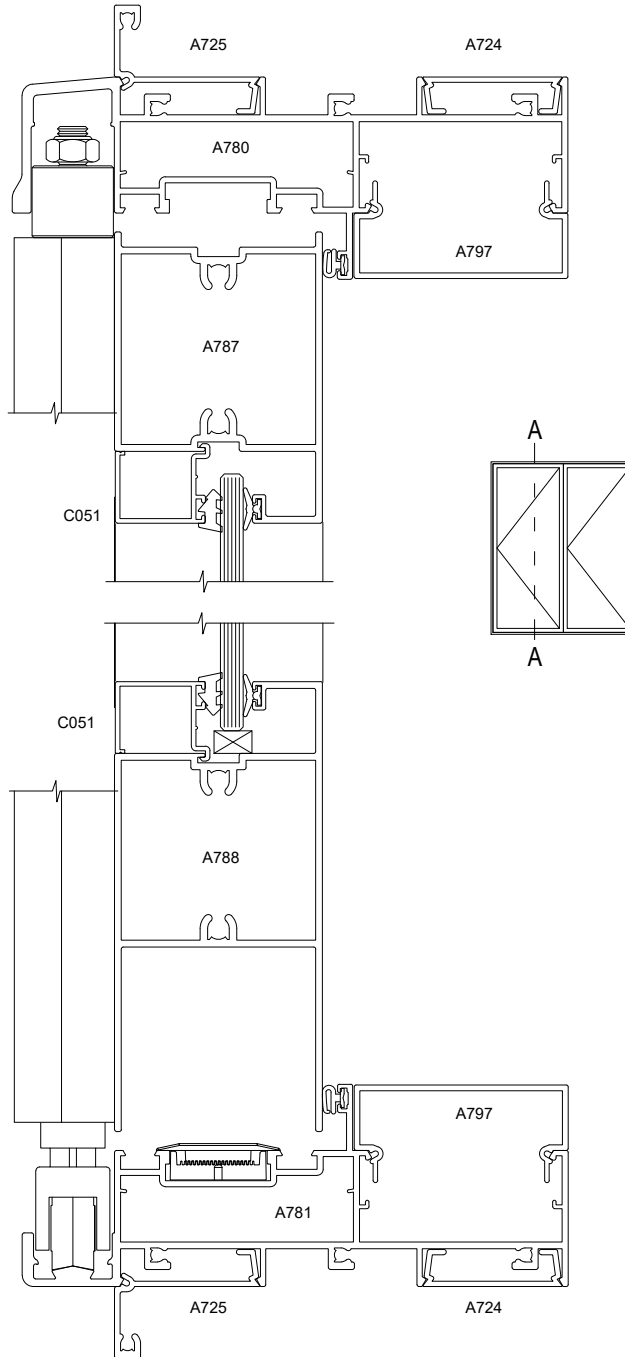
HINGED DOOR

FAIRVIEW SYSTEMS LIMITED SPECIFIERS GUIDE 2014 © TECHNICAL SPECIFICATIONS & PROFILE DETAILS SUBJECT TO CHANGE WITHOUT NOTICE

ARCHITECTURAL CUBIC 40 COMPLETE SUITE

DATE 11.06.2018	SCALE 1:2
REF. AC40.1032	





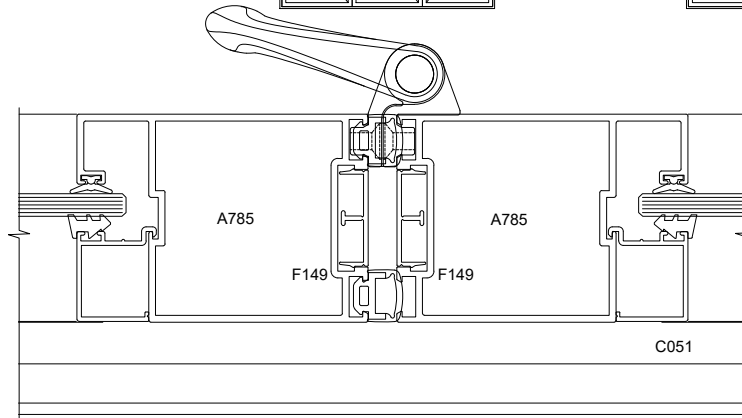
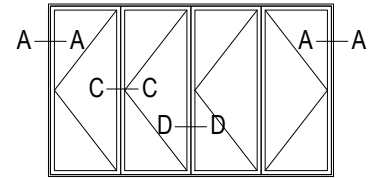
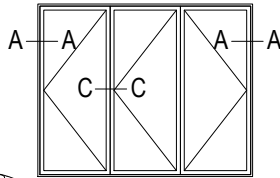
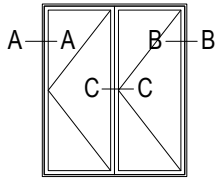
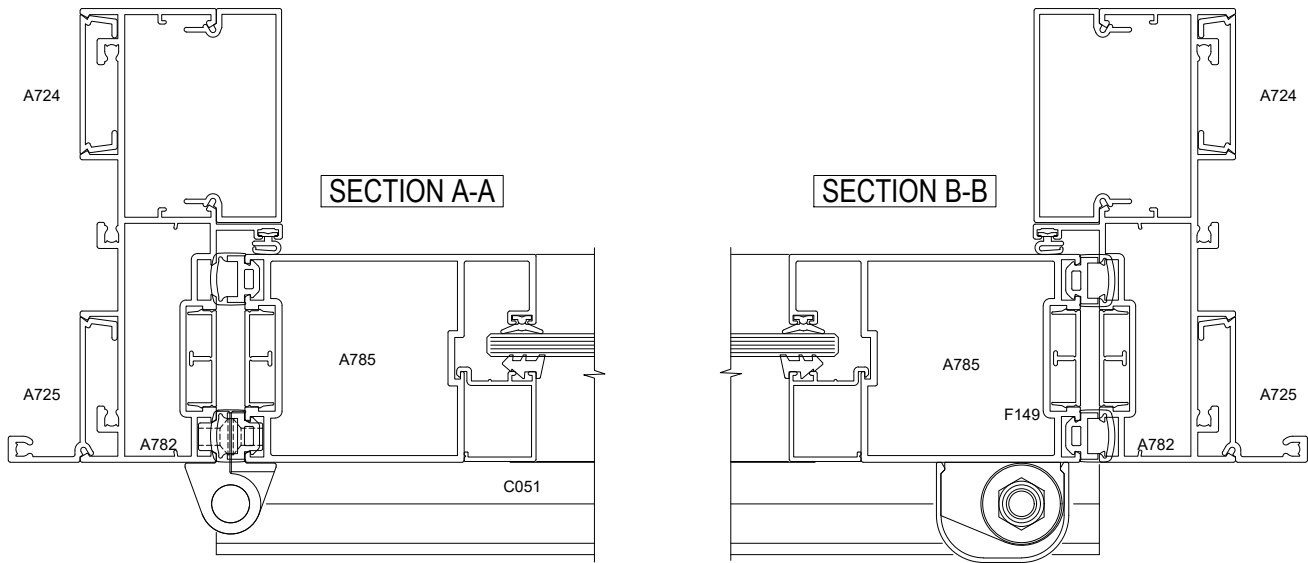
SECTION A-A

BOTTOM ROLLING BIFOLD DOOR

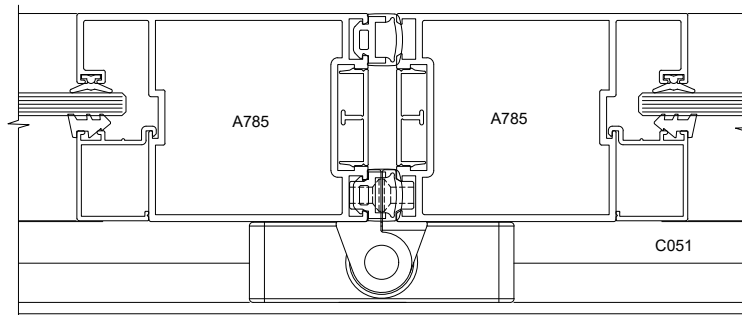
FAIRVIEW SYSTEMS LIMITED SPECIFIERS GUIDE 2014 © TECHNICAL SPECIFICATIONS & PROFILE DETAILS SUBJECT TO CHANGE WITHOUT NOTICE

ARCHITECTURAL CUBIC 40 COMPLETE SUITE

DATE 11.06.2018	SCALE 1:2
REF. AC40.1041	



SECTION C-C



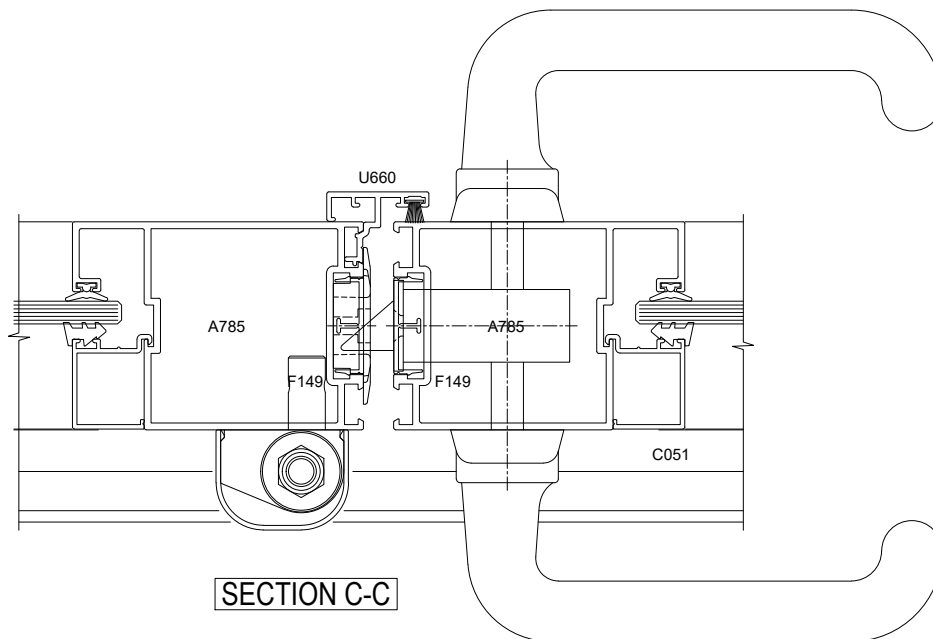
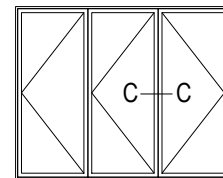
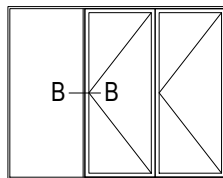
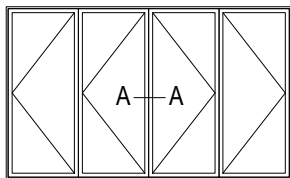
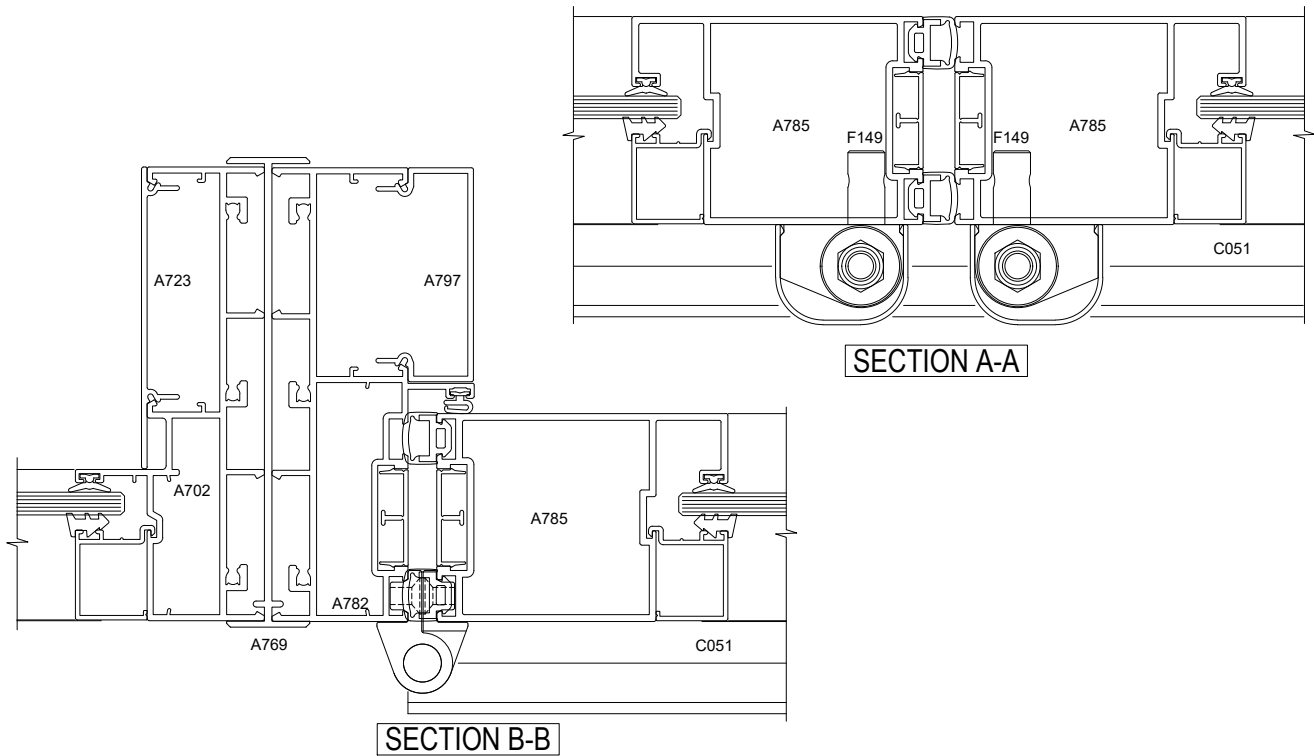
SECTION D-D

BOTTOM ROLLING BIFOLD DOOR

FAIRVIEW SYSTEMS LIMITED SPECIFIERS GUIDE 2014 © TECHNICAL SPECIFICATIONS & PROFILE DETAILS SUBJECT TO CHANGE WITHOUT NOTICE

ARCHITECTURAL CUBIC 40 COMPLETE SUITE

DATE 11.06.2018	SCALE 1:2
REF. AC40.1042	

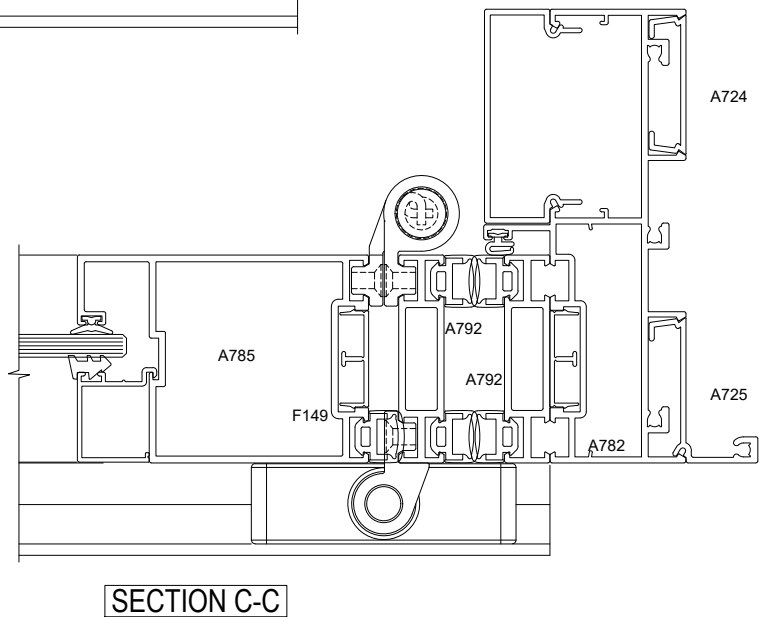
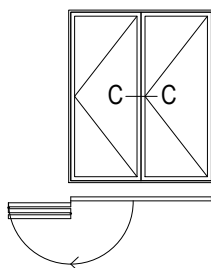
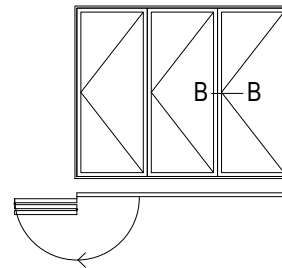
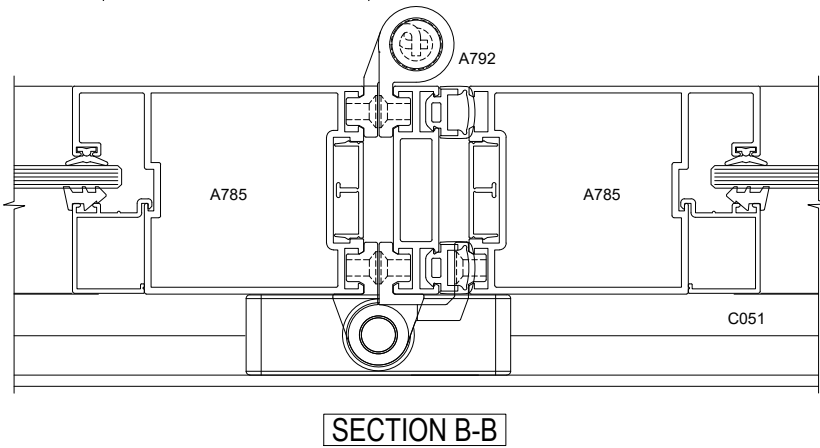
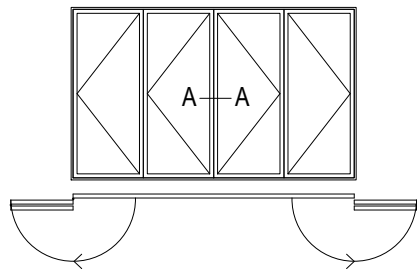
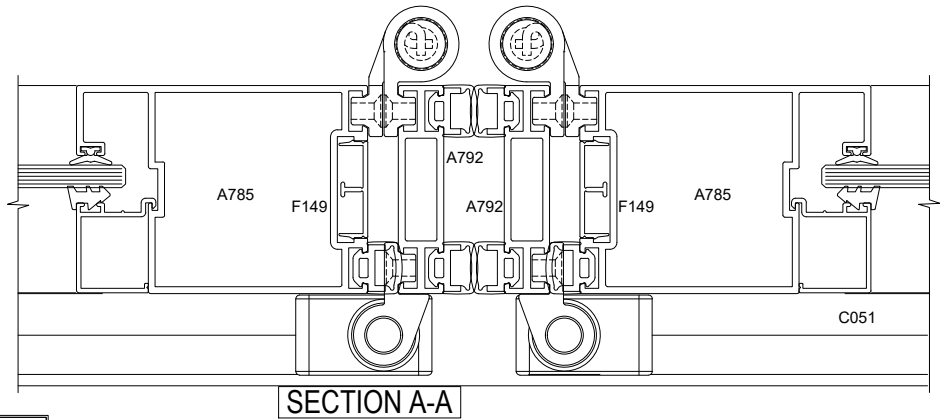


BOTTOM ROLLING BIFOLD DOOR

FAIRVIEW SYSTEMS LIMITED SPECIFIERS GUIDE 2014 © TECHNICAL SPECIFICATIONS & PROFILE DETAILS SUBJECT TO CHANGE WITHOUT NOTICE

ARCHITECTURAL CUBIC 40 COMPLETE SUITE

DATE 11.06.2018	SCALE 1:2
REF. AC40.1043	



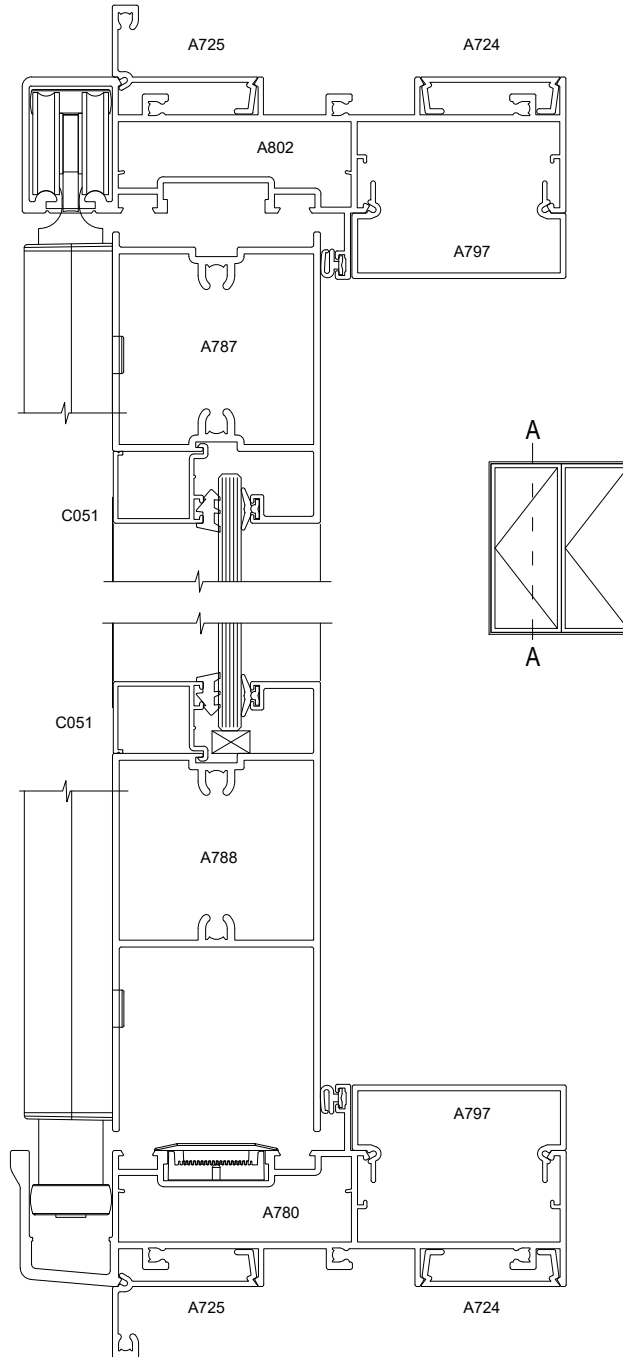
FREEFOLD

BOTTOM ROLLING BIFOLD DOOR

FAIRVIEW SYSTEMS LIMITED SPECIFIERS GUIDE 2014 © TECHNICAL SPECIFICATIONS & PROFILE DETAILS SUBJECT TO CHANGE WITHOUT NOTICE

ARCHITECTURAL CUBIC 40 COMPLETE SUITE

DATE 11.06.2018	SCALE 1:2
REF. AC40.1044	



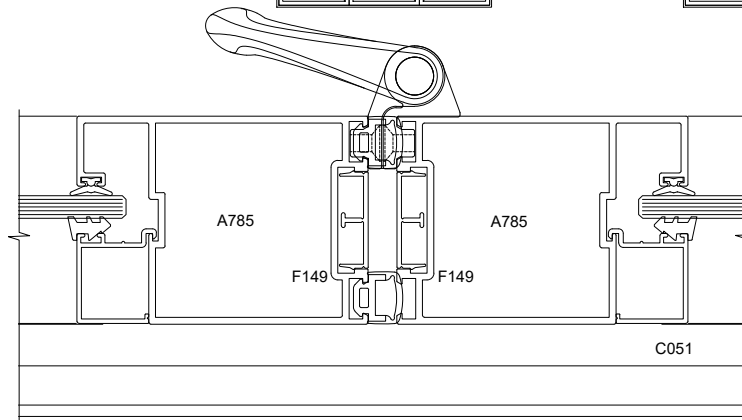
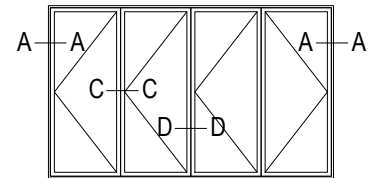
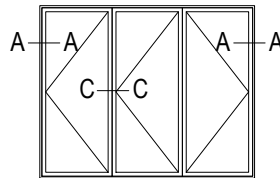
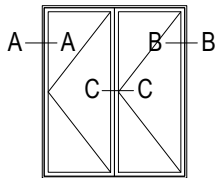
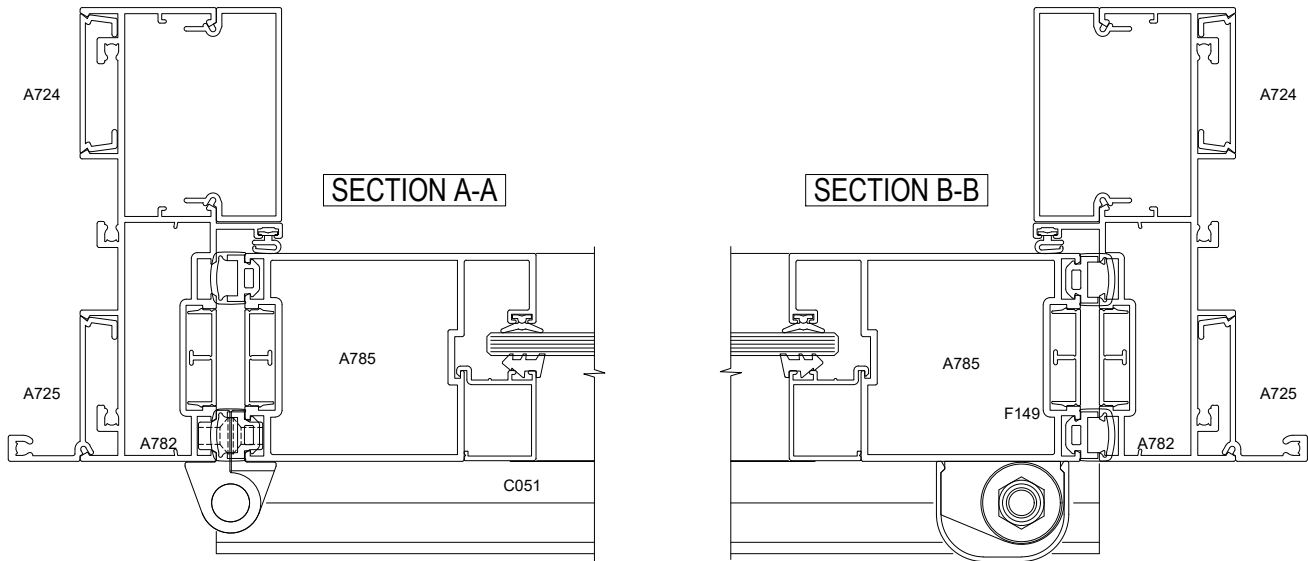
SECTION A-A

TOP HUNG CHANEL GUIDE BIFOLD DOOR

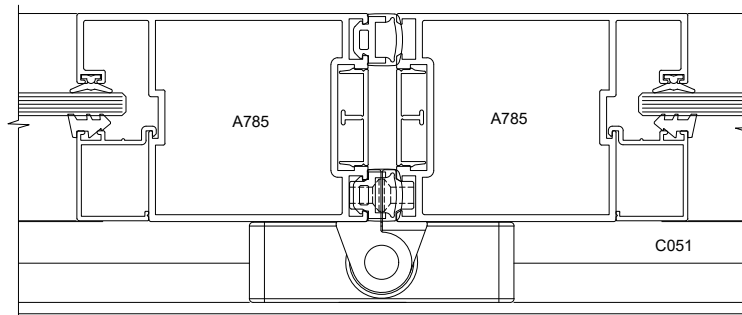
FAIRVIEW SYSTEMS LIMITED SPECIFIERS GUIDE 2014 © TECHNICAL SPECIFICATIONS & PROFILE DETAILS SUBJECT TO CHANGE WITHOUT NOTICE

ARCHITECTURAL CUBIC 40 COMPLETE SUITE

DATE 11.06.2018	SCALE 1:2
REF. AC40.1051	



SECTION C-C



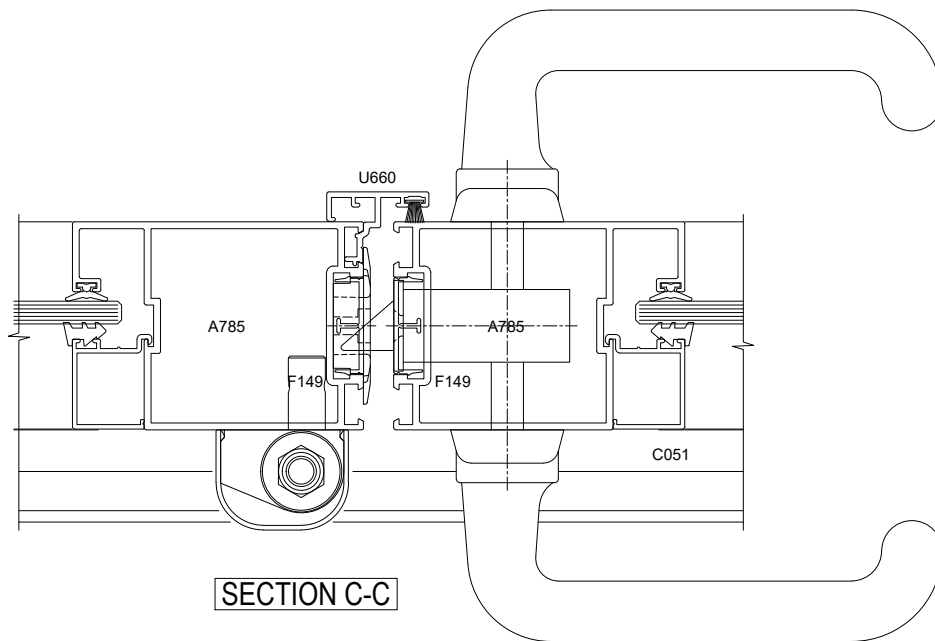
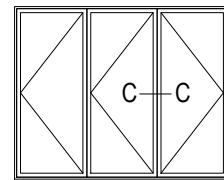
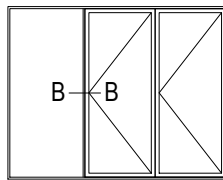
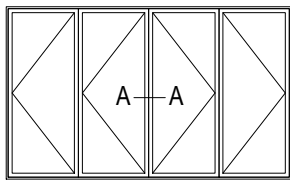
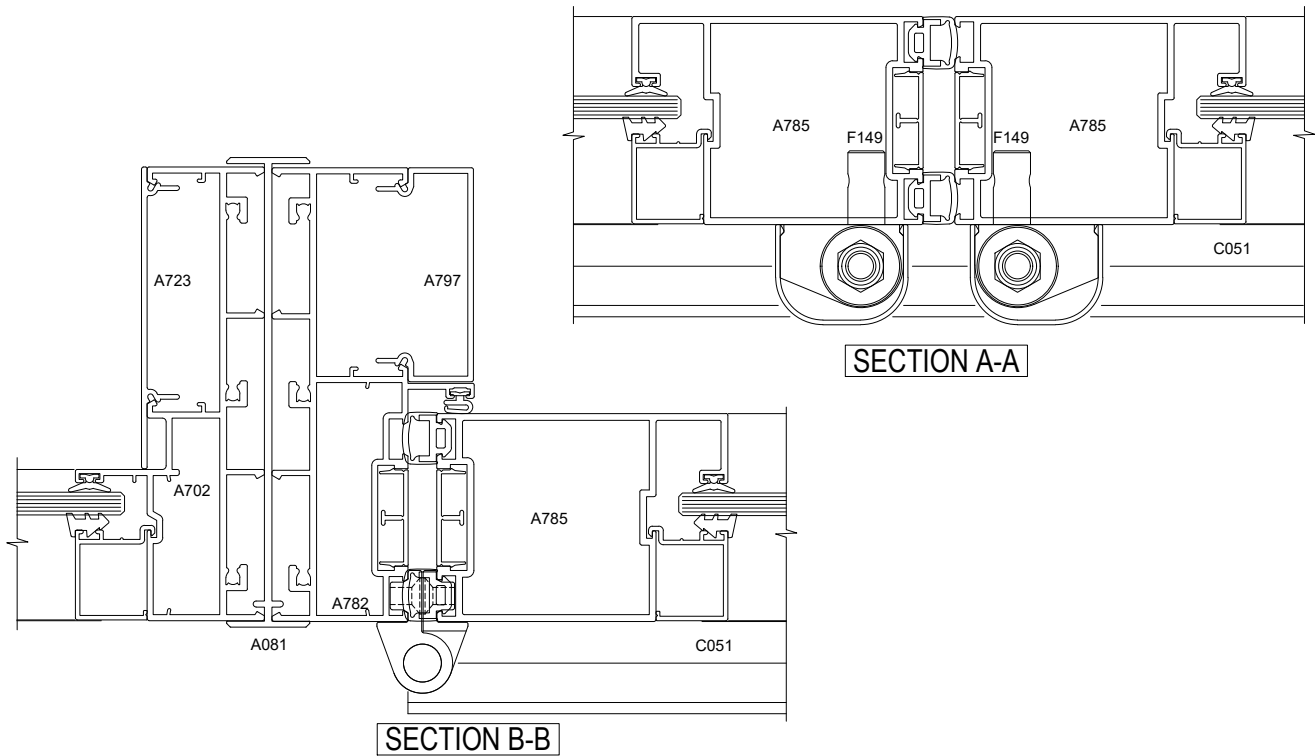
SECTION D-D

TOP HUNG CHANEL GUIDE BIFOLD DOOR

FAIRVIEW SYSTEMS LIMITED SPECIFIERS GUIDE 2014 © TECHNICAL SPECIFICATIONS & PROFILE DETAILS SUBJECT TO CHANGE WITHOUT NOTICE

ARCHITECTURAL CUBIC 40 COMPLETE SUITE

DATE 11.06.2018	SCALE 1:2
REF. AC40.1052	

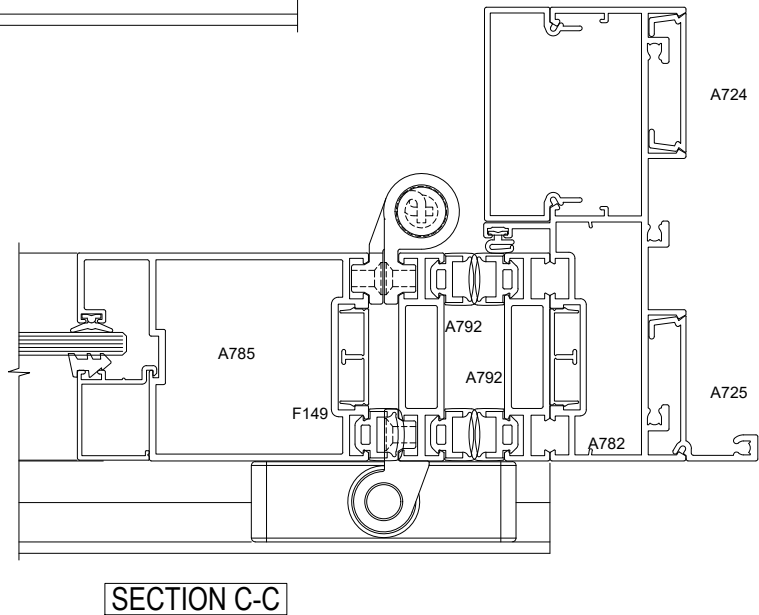
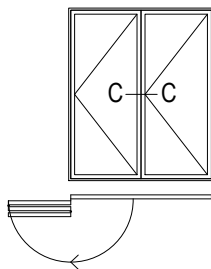
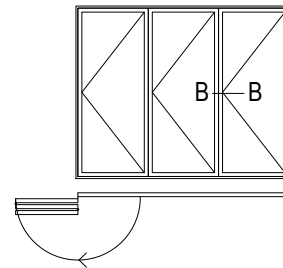
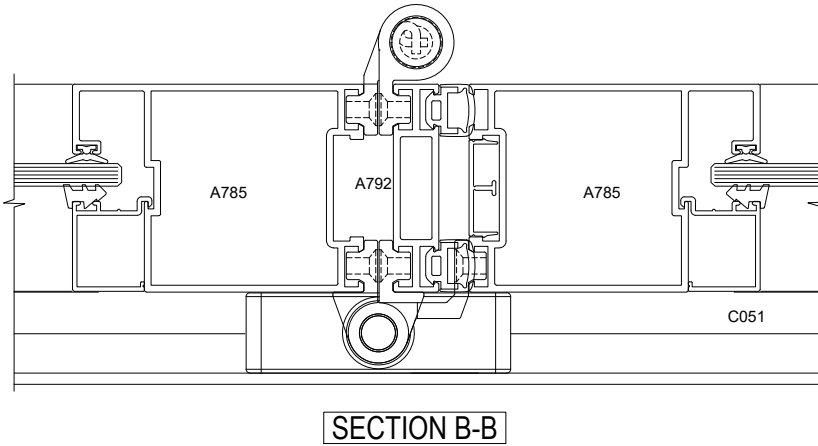
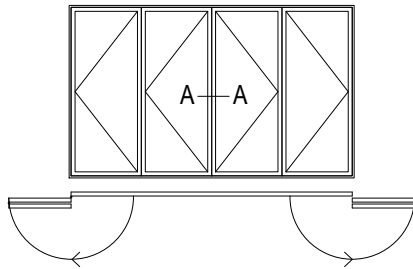
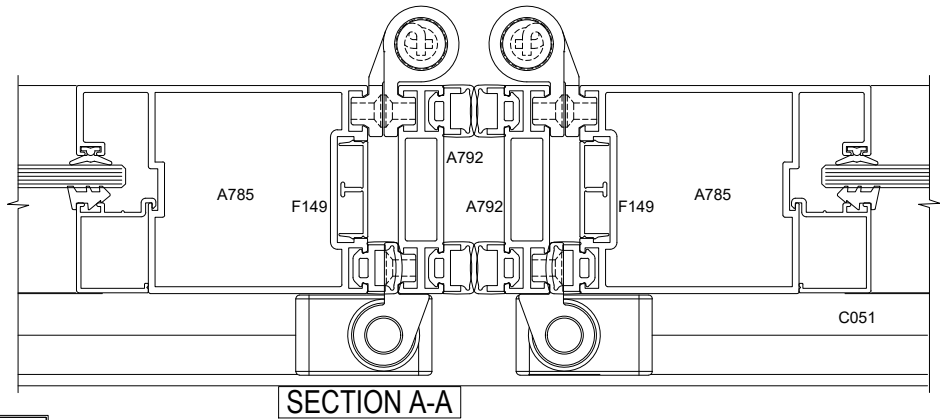


TOP HUNG CHANEL GUIDE BIFOLD DOOR

FAIRVIEW SYSTEMS LIMITED SPECIFIERS GUIDE 2014 © TECHNICAL SPECIFICATIONS & PROFILE DETAILS SUBJECT TO CHANGE WITHOUT NOTICE

ARCHITECTURAL CUBIC 40 COMPLETE SUITE

DATE 11.06.2018	SCALE 1:2
REF. AC40.1053	



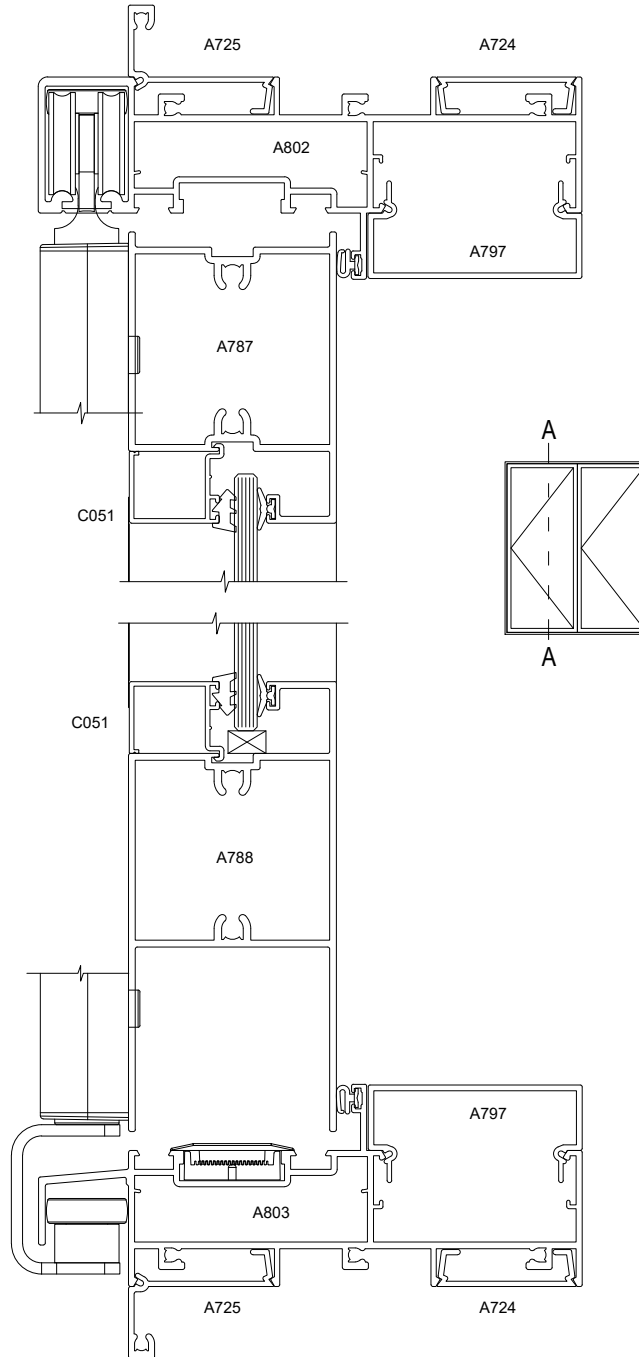
FREEFOLD

TOP HUNG CHANEL GUIDE BIFOLD DOOR

FAIRVIEW SYSTEMS LIMITED SPECIFIERS GUIDE 2014 © TECHNICAL SPECIFICATIONS & PROFILE DETAILS SUBJECT TO CHANGE WITHOUT NOTICE

ARCHITECTURAL CUBIC 40 COMPLETE SUITE

DATE 11.06.2018	SCALE 1:2
REF. AC40.1054	



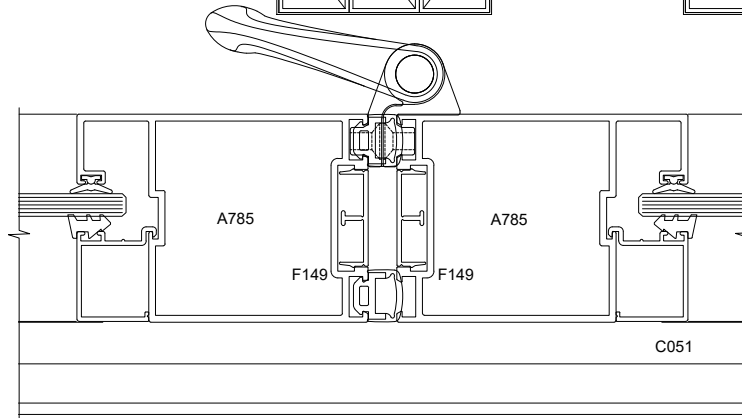
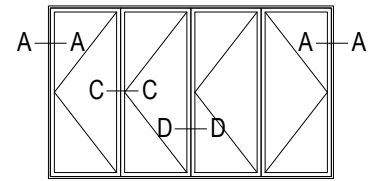
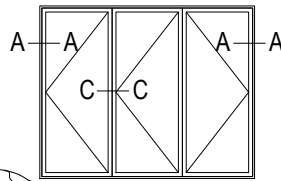
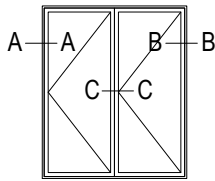
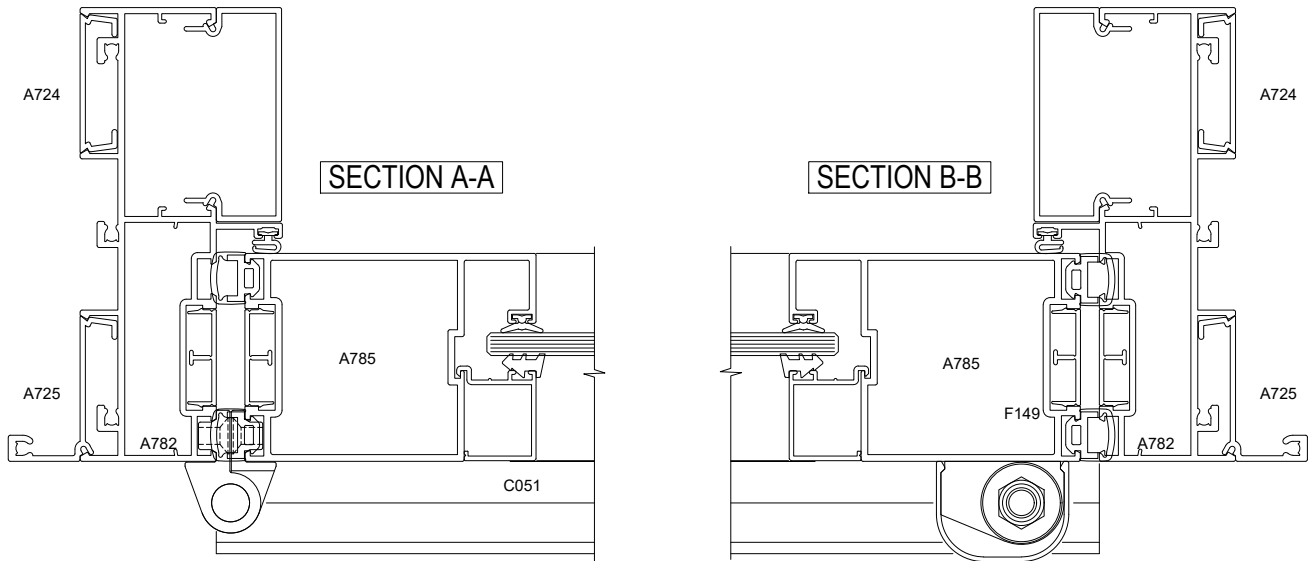
SECTION A-A

TOP HUNG HOODED GUIDE BIFOLD DOOR

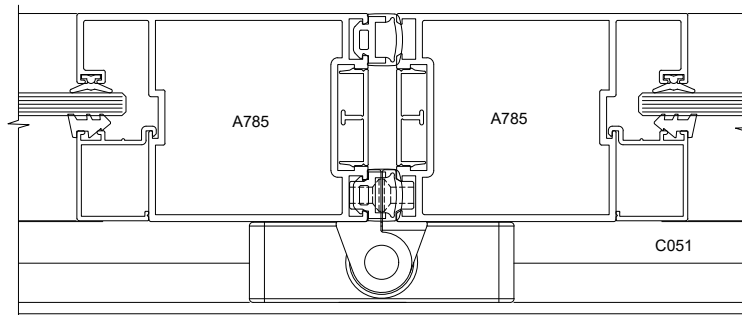
FAIRVIEW SYSTEMS LIMITED SPECIFIERS GUIDE 2014 © TECHNICAL SPECIFICATIONS & PROFILE DETAILS SUBJECT TO CHANGE WITHOUT NOTICE

ARCHITECTURAL CUBIC 40 COMPLETE SUITE

DATE 11.06.2018	SCALE 1:2
REF. AC40.1061	



SECTION C-C



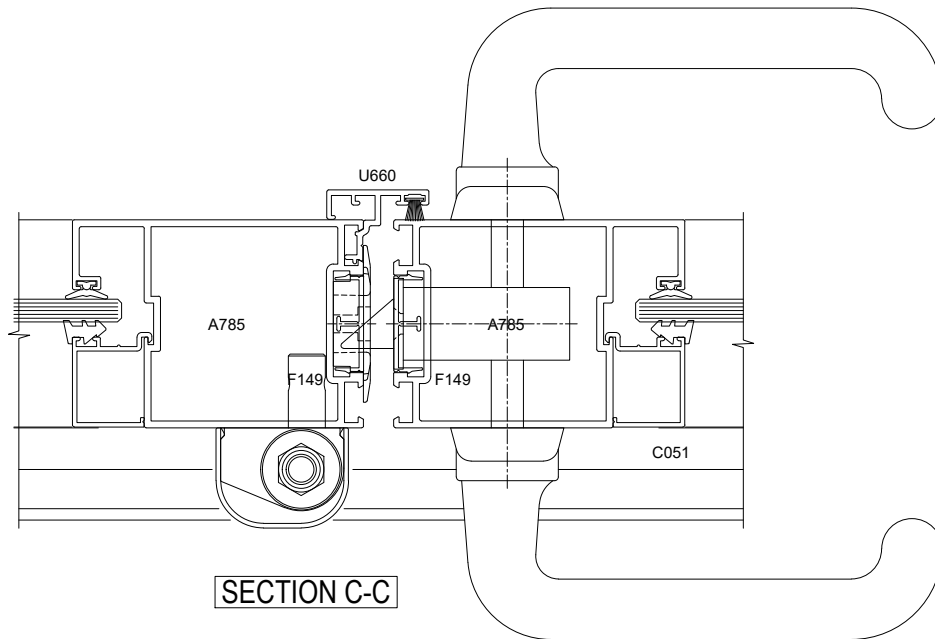
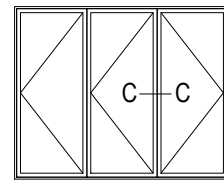
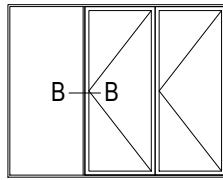
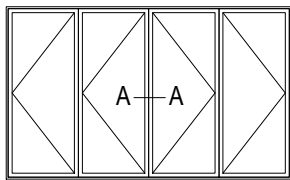
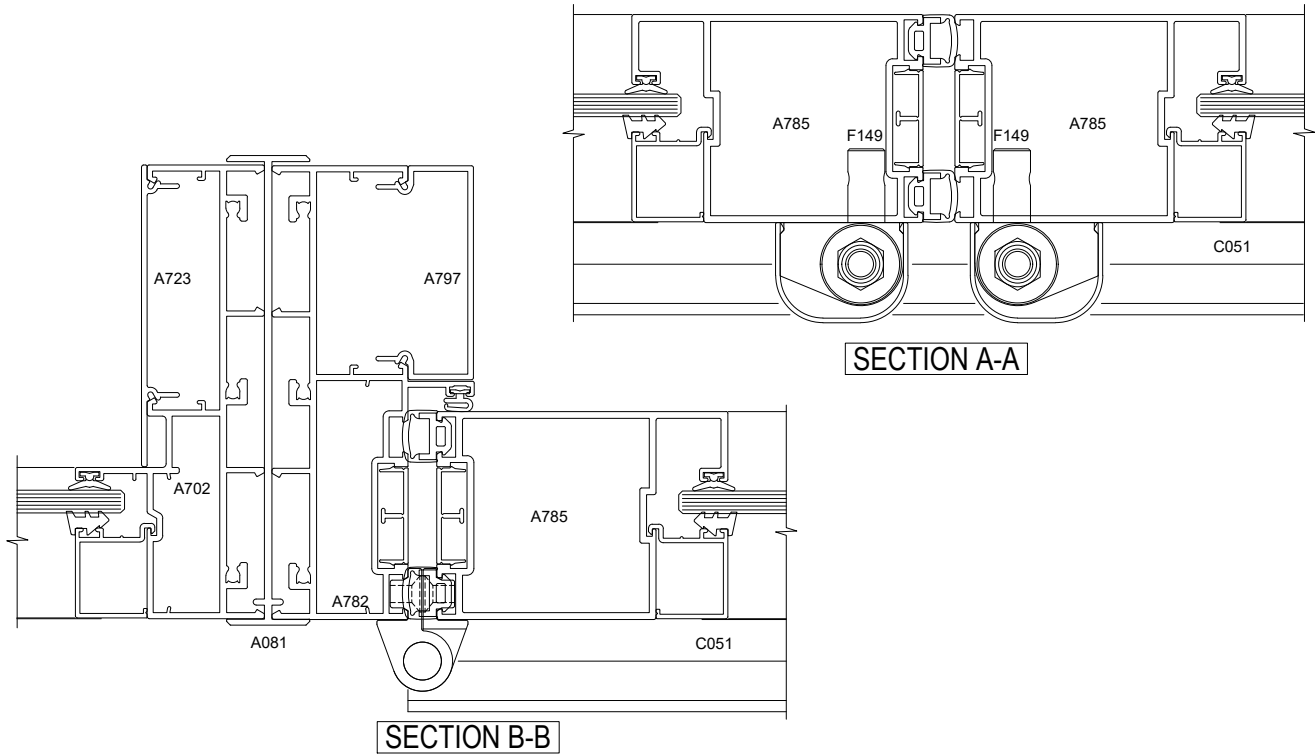
SECTION D-D

TOP HUNG HOODED GUIDE BIFOLD DOOR

FAIRVIEW SYSTEMS LIMITED SPECIFIERS GUIDE 2014 © TECHNICAL SPECIFICATIONS & PROFILE DETAILS SUBJECT TO CHANGE WITHOUT NOTICE

ARCHITECTURAL CUBIC 40 COMPLETE SUITE

DATE 11.06.2018	SCALE 1:2
REF. AC40.1062	

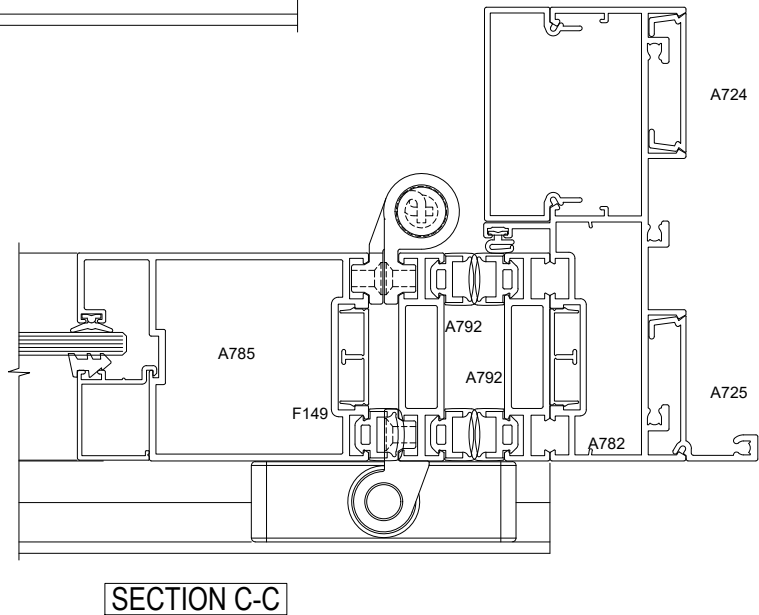
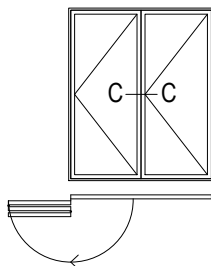
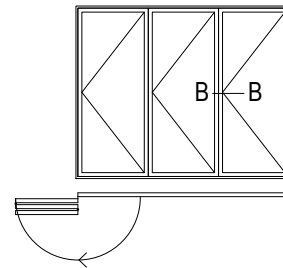
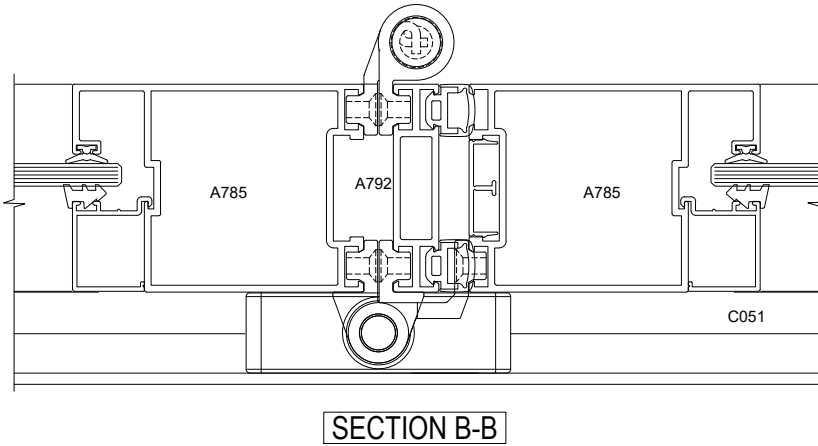
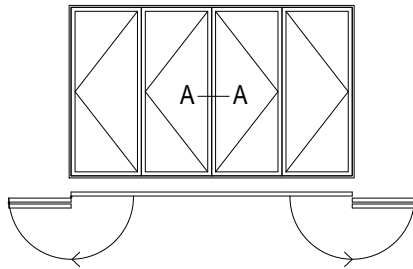
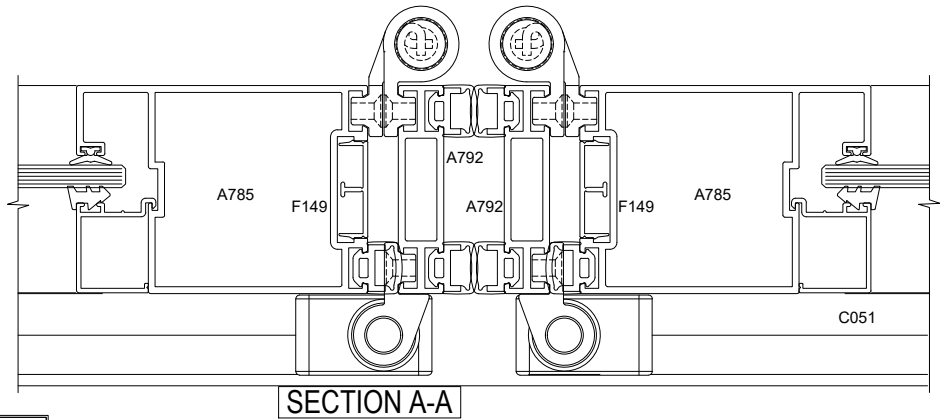


TOP HUNG HOODED GUIDE BIFOLD DOOR

FAIRVIEW SYSTEMS LIMITED SPECIFIERS GUIDE 2014 © TECHNICAL SPECIFICATIONS & PROFILE DETAILS SUBJECT TO CHANGE WITHOUT NOTICE

ARCHITECTURAL CUBIC 40 COMPLETE SUITE

DATE 11.06.2018	SCALE 1:2
REF. AC40.1063	



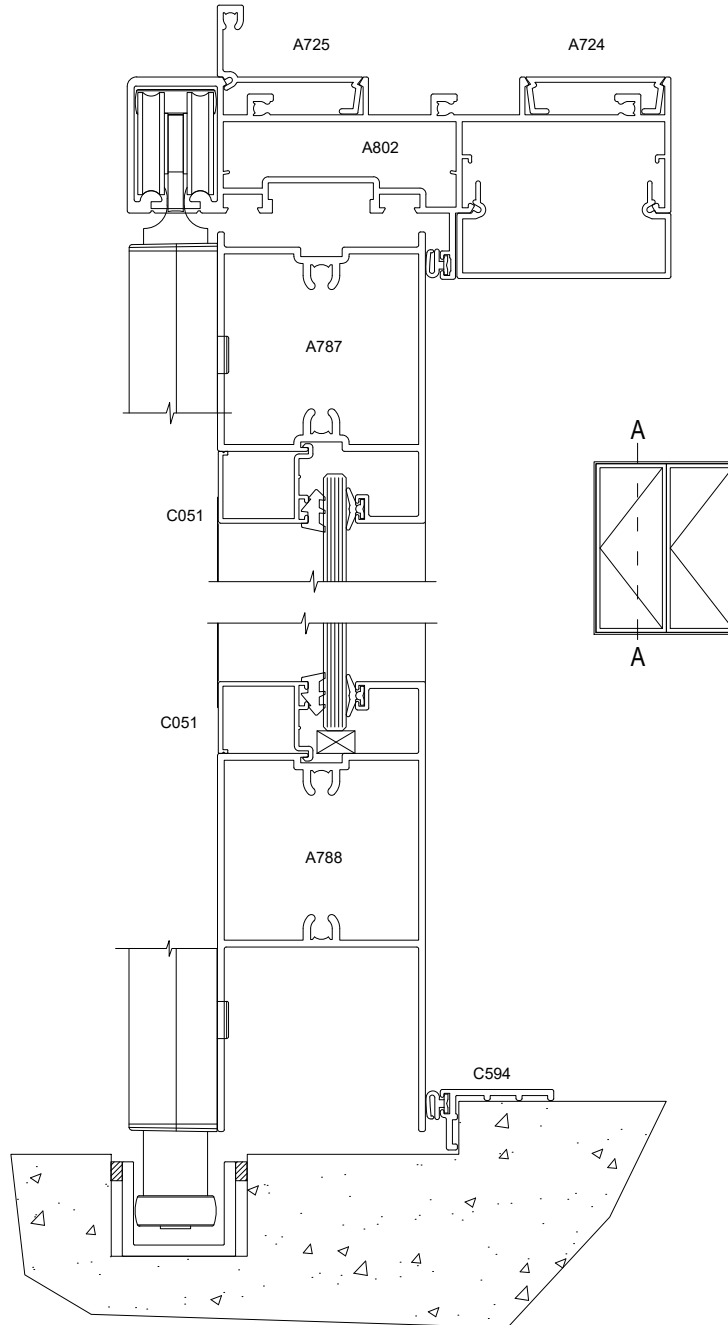
FREEFOLD

TOP HUNG HOODED GUIDE BIFOLD DOOR

FAIRVIEW SYSTEMS LIMITED SPECIFIERS GUIDE 2014 © TECHNICAL SPECIFICATIONS & PROFILE DETAILS SUBJECT TO CHANGE WITHOUT NOTICE

ARCHITECTURAL CUBIC 40 COMPLETE SUITE

DATE 11.06.2018	SCALE 1:2
REF. AC40.1064	



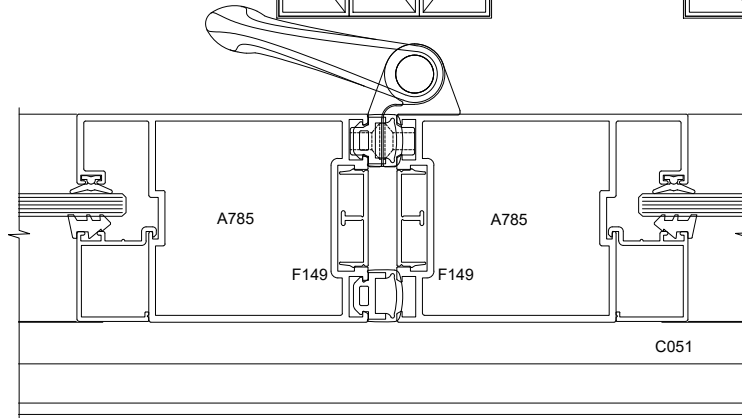
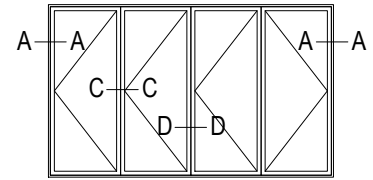
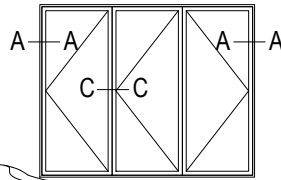
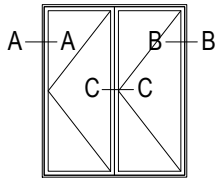
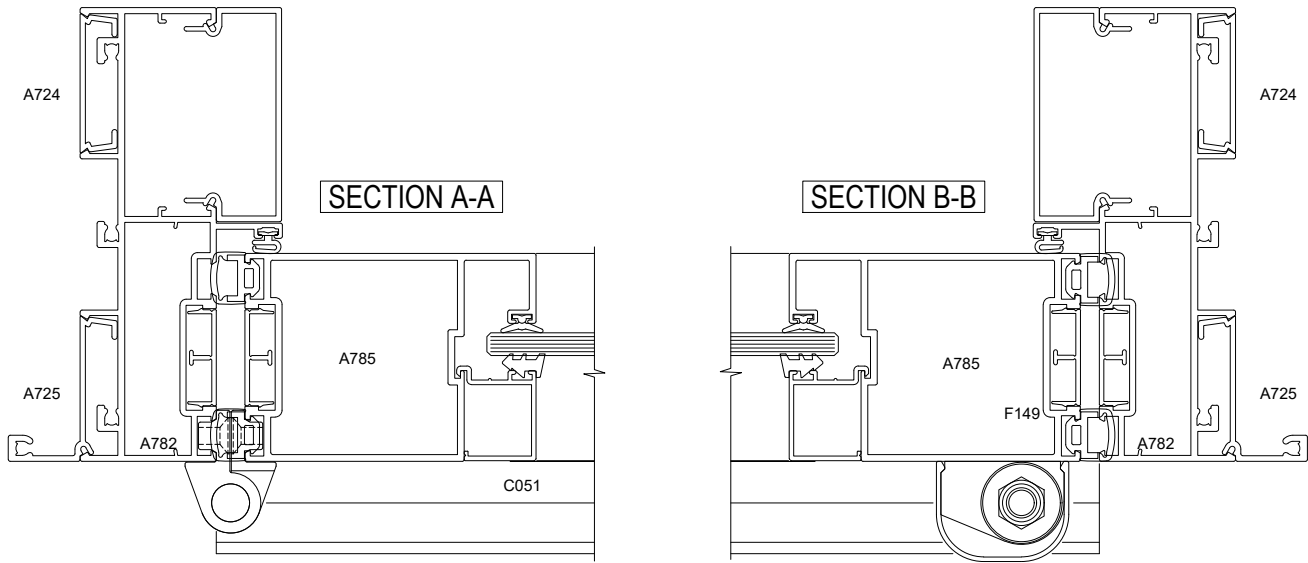
SECTION A-A

TOP HUNG NON-WEATHERED GUIDE BIFOLD DOOR

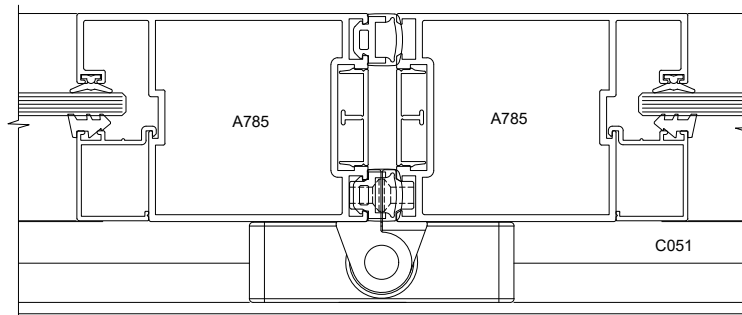
FAIRVIEW SYSTEMS LIMITED SPECIFIERS GUIDE 2014 © TECHNICAL SPECIFICATIONS & PROFILE DETAILS SUBJECT TO CHANGE WITHOUT NOTICE

ARCHITECTURAL CUBIC 40 COMPLETE SUITE

DATE 11.06.2018	SCALE 1:2
REF. AC40.1071	



SECTION C-C



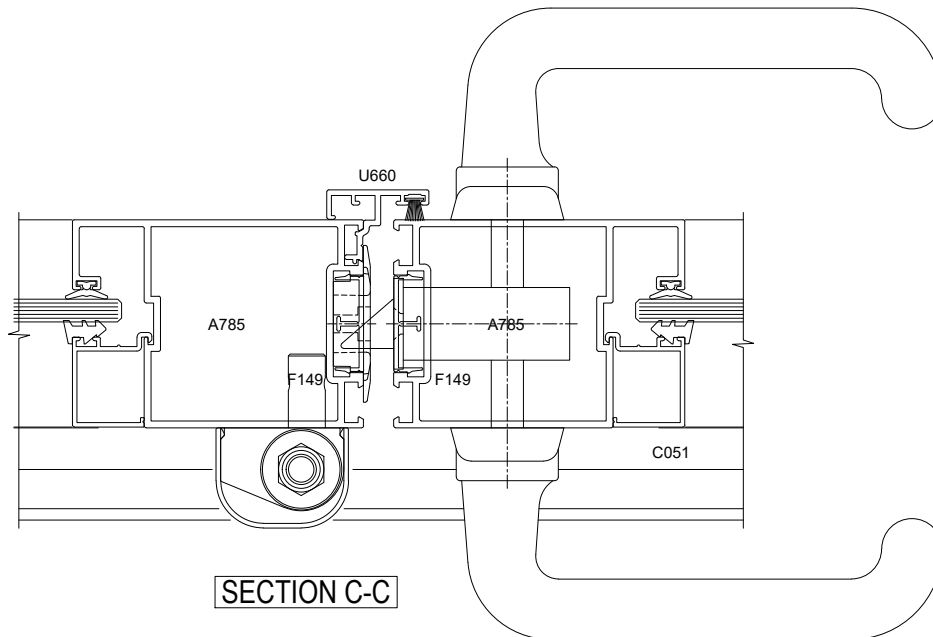
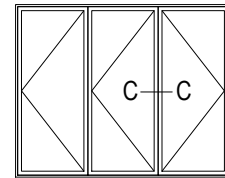
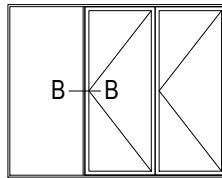
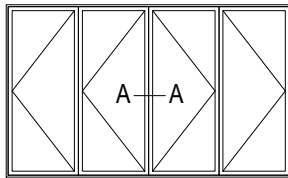
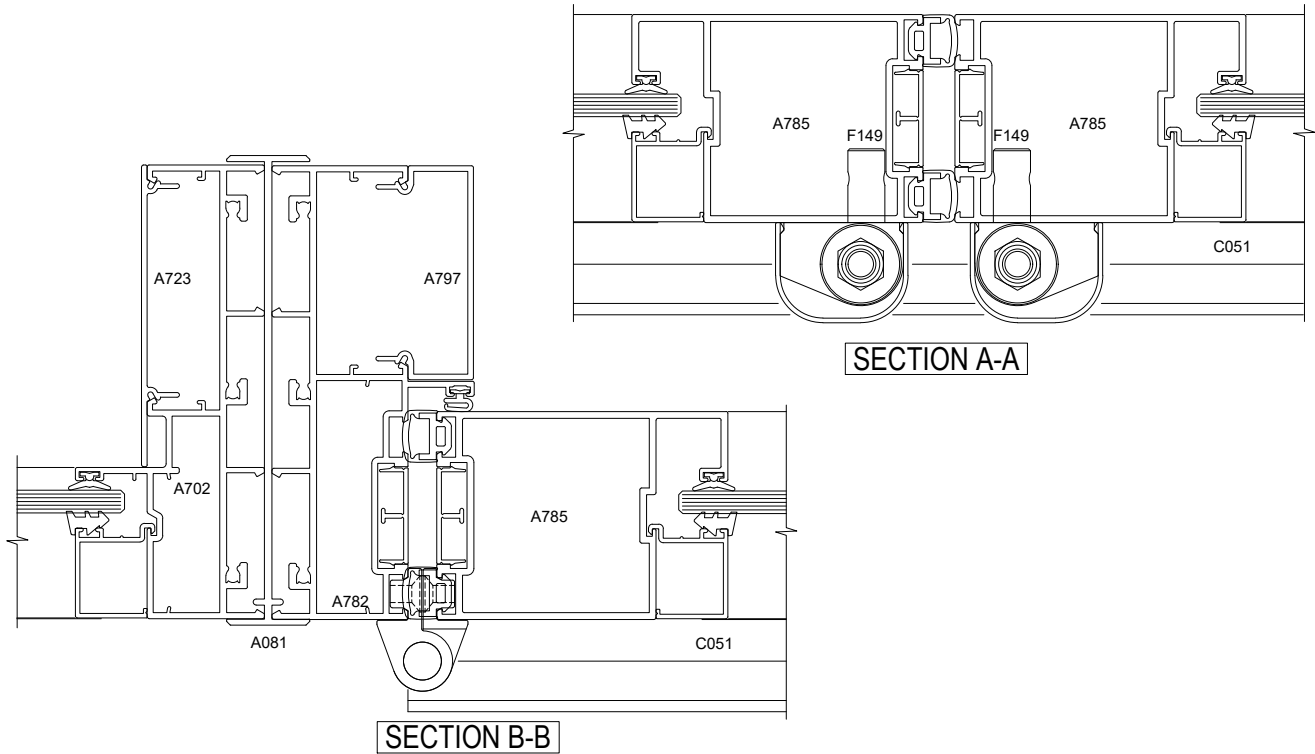
SECTION D-D

TOP HUNG NON-WEATHERED GUIDE BIFOLD DOOR

FAIRVIEW SYSTEMS LIMITED SPECIFIERS GUIDE 2014 © TECHNICAL SPECIFICATIONS & PROFILE DETAILS SUBJECT TO CHANGE WITHOUT NOTICE

ARCHITECTURAL CUBIC 40 COMPLETE SUITE

DATE 11.06.2018	SCALE 1:2
REF. AC40.1072	

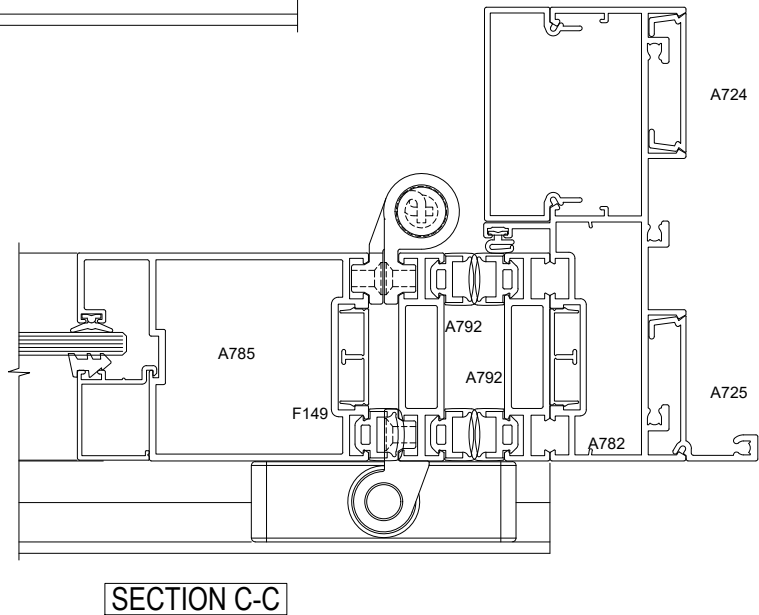
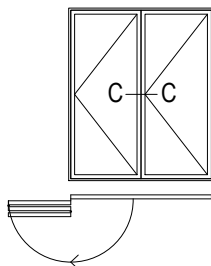
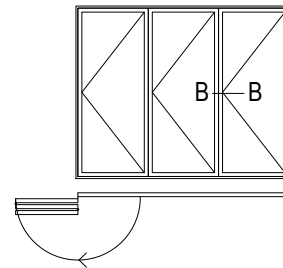
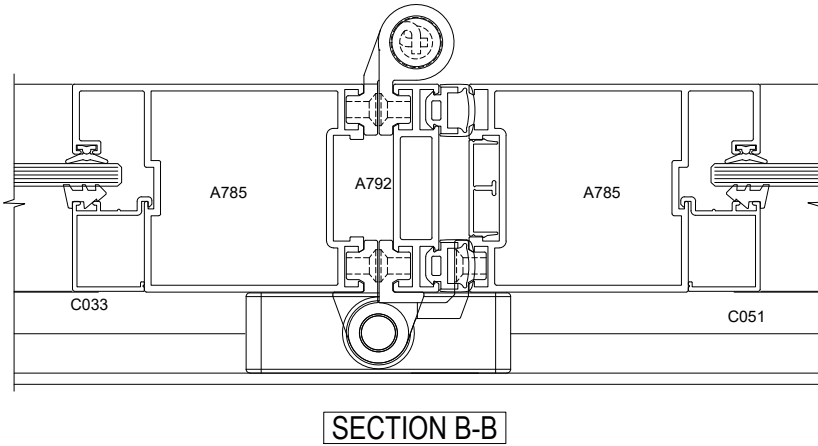
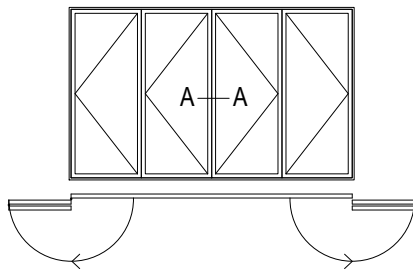
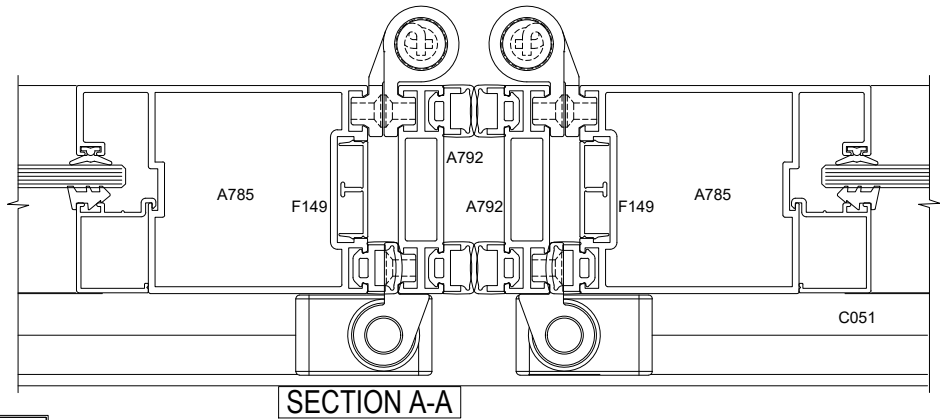


TOP HUNG NON-WEATHERED GUIDE BIFOLD DOOR

FAIRVIEW SYSTEMS LIMITED SPECIFIERS GUIDE 2014 © TECHNICAL SPECIFICATIONS & PROFILE DETAILS SUBJECT TO CHANGE WITHOUT NOTICE

ARCHITECTURAL CUBIC 40 COMPLETE SUITE

DATE 11.06.2018	SCALE 1:2
REF. AC40.1073	



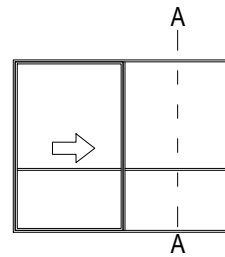
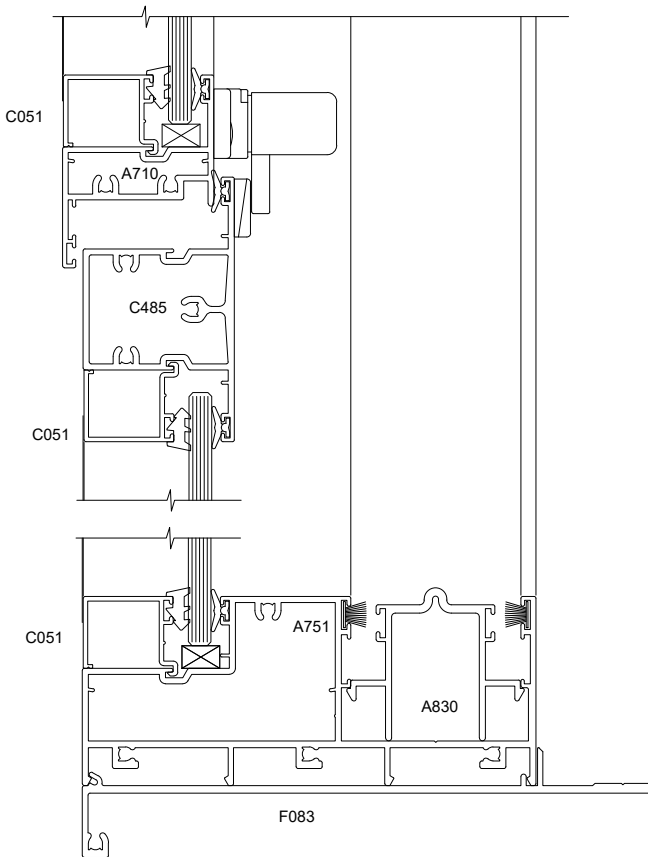
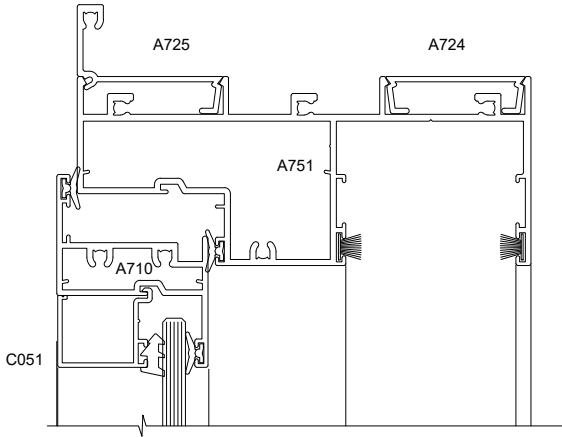
FREEFOLD

TOP HUNG NON-WEATHERED GUIDE BIFOLD DOOR

FAIRVIEW SYSTEMS LIMITED SPECIFIERS GUIDE 2014 © TECHNICAL SPECIFICATIONS & PROFILE DETAILS SUBJECT TO CHANGE WITHOUT NOTICE

ARCHITECTURAL CUBIC 40 COMPLETE SUITE

DATE 11.06.2018	SCALE 1:2
REF. AC40.1074	



SECTION A-A

SLIDING DOOR

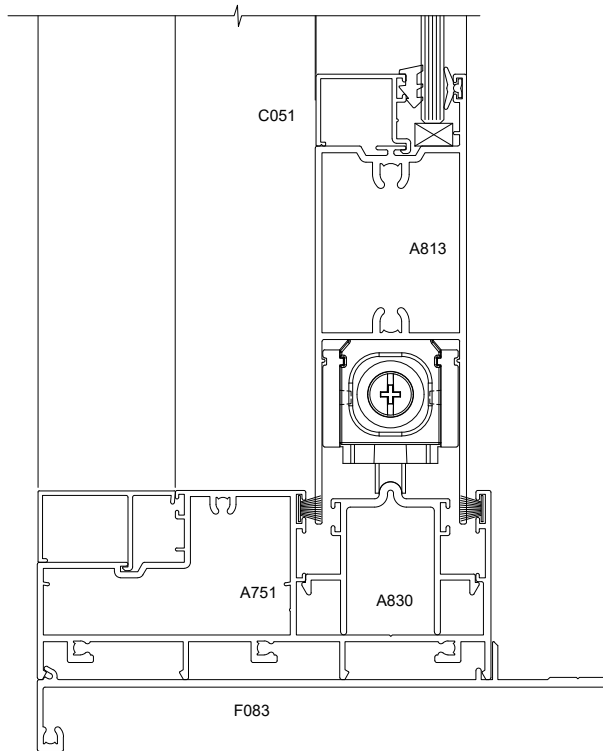
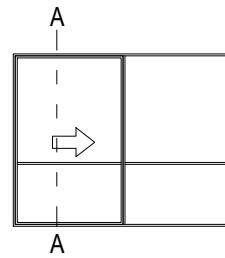
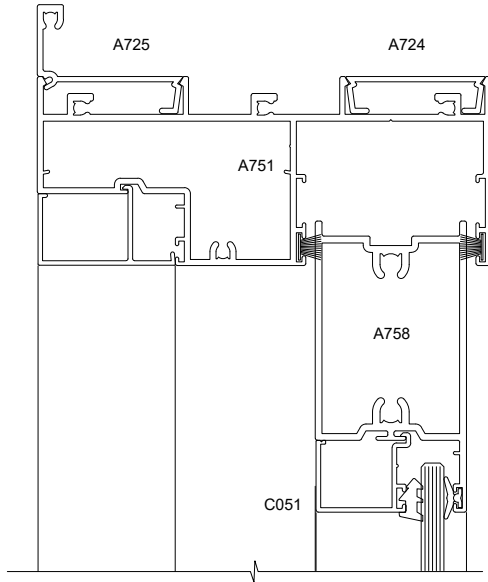
FAIRVIEW SYSTEMS LIMITED SPECIFIERS GUIDE 2014 © TECHNICAL SPECIFICATIONS & PROFILE DETAILS SUBJECT TO CHANGE WITHOUT NOTICE

ARCHITECTURAL CUBIC 40 COMPLETE SUITE

DATE
11.06.2018

SCALE
1:2

REF. AC40.1081



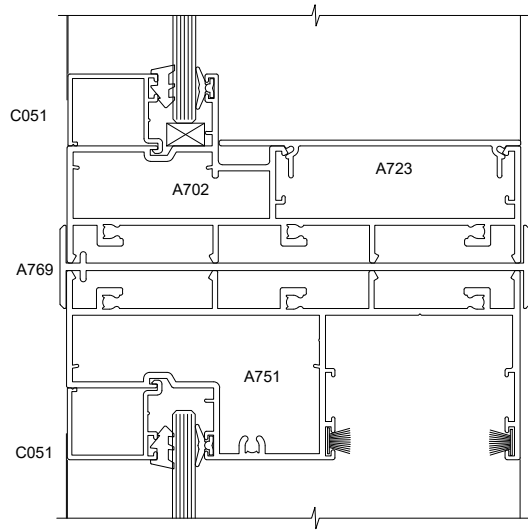
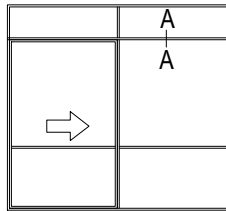
SECTION A-A

SLIDING DOOR

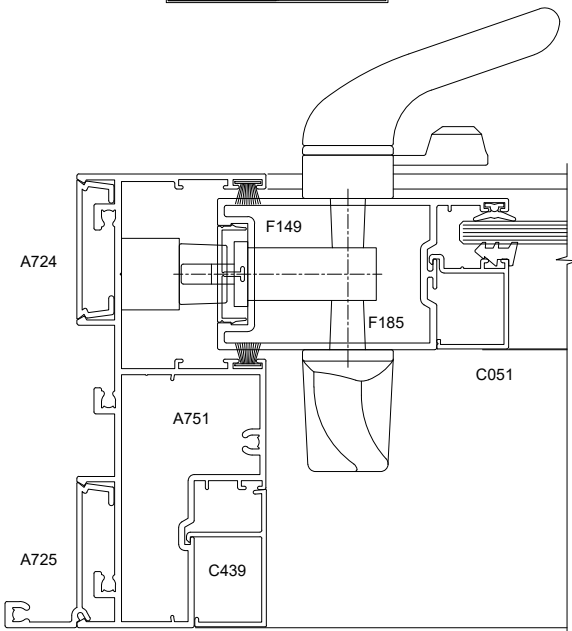
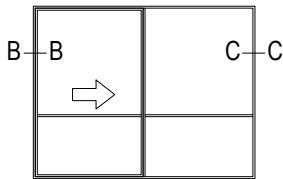
FAIRVIEW SYSTEMS LIMITED SPECIFIERS GUIDE 2014 © TECHNICAL SPECIFICATIONS & PROFILE DETAILS SUBJECT TO CHANGE WITHOUT NOTICE

ARCHITECTURAL CUBIC 40 COMPLETE SUITE

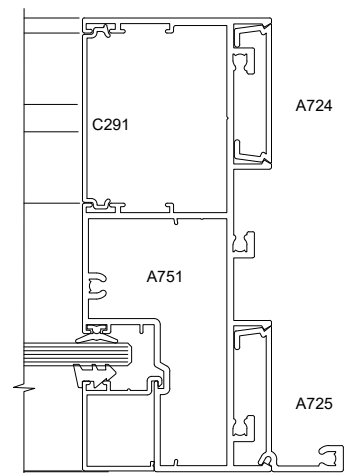
DATE 11.06.2018	SCALE 1:2
REF. AC40.1082	



SECTION A-A



SECTION B-B



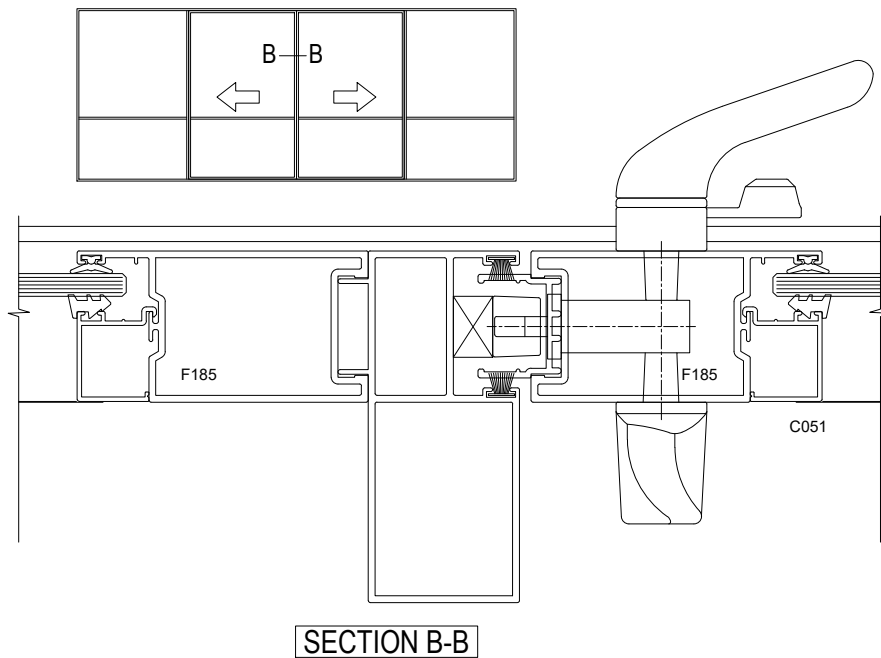
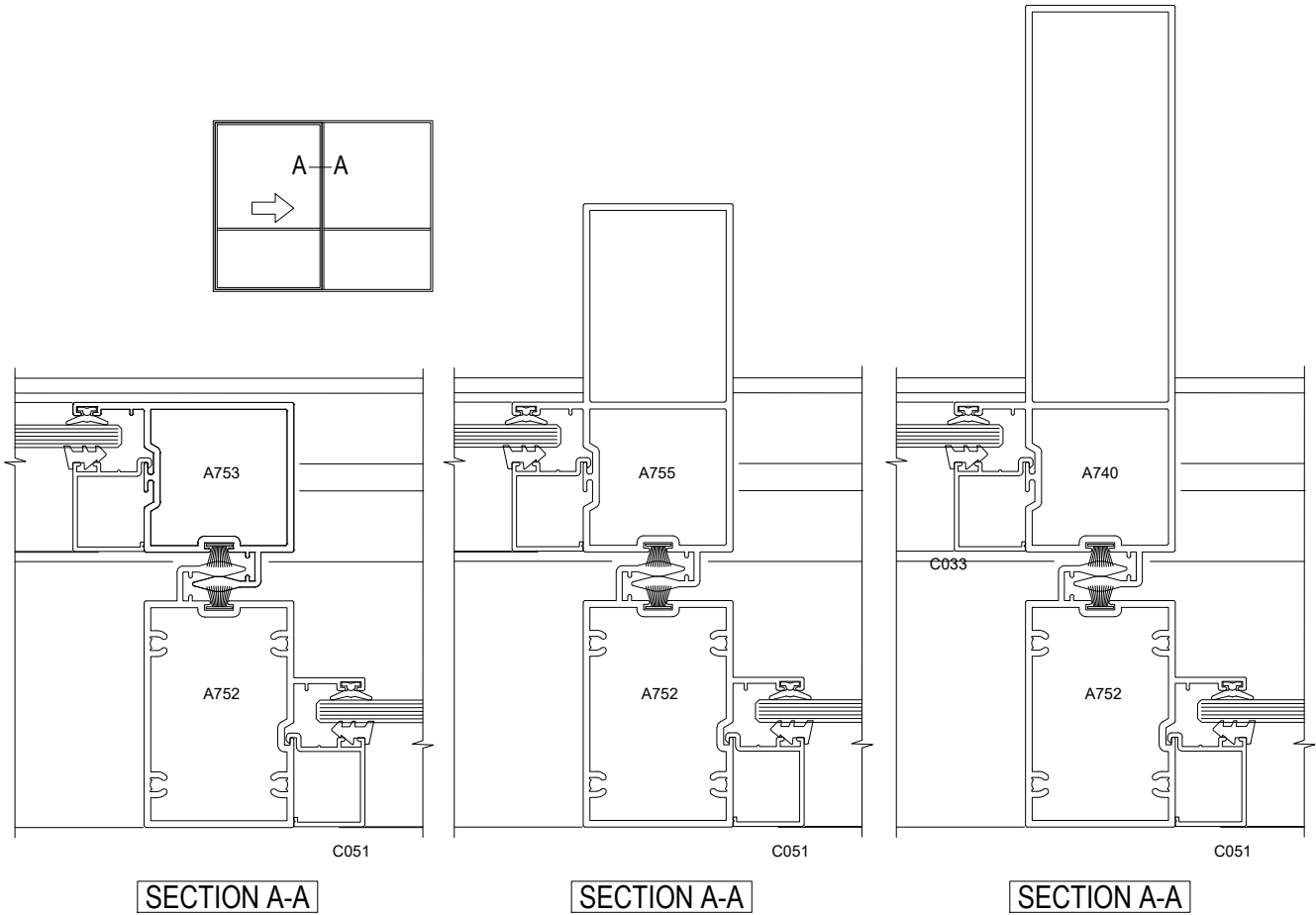
SECTION C-C

SLIDING DOOR

FAIRVIEW SYSTEMS LIMITED SPECIFIERS GUIDE 2014 © TECHNICAL SPECIFICATIONS & PROFILE DETAILS SUBJECT TO CHANGE WITHOUT NOTICE

ARCHITECTURAL CUBIC 40 COMPLETE SUITE

DATE 11.06.2018	SCALE 1:2
REF. AC40.1083	

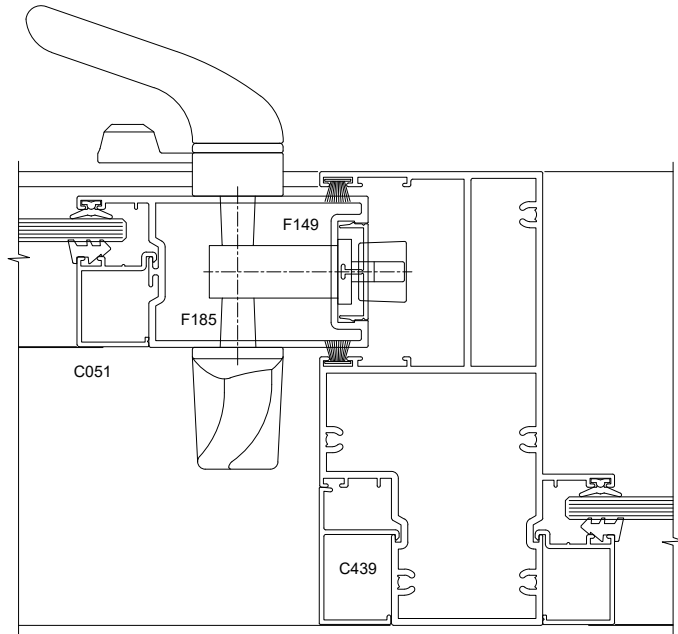
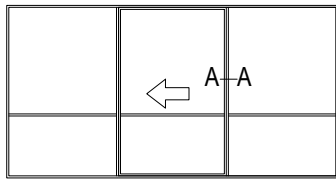


SLIDING DOOR

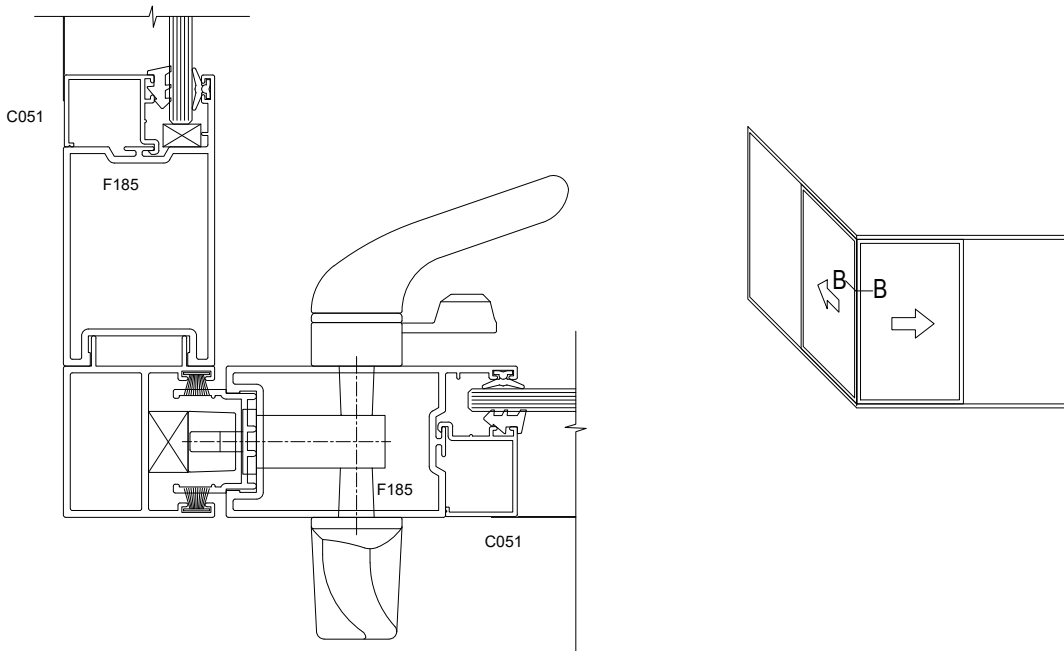
FAIRVIEW SYSTEMS LIMITED SPECIFIERS GUIDE 2014 © TECHNICAL SPECIFICATIONS & PROFILE DETAILS SUBJECT TO CHANGE WITHOUT NOTICE

ARCHITECTURAL CUBIC 40 COMPLETE SUITE

DATE 11.06.2018	SCALE 1:2
REF. AC40.1084	



SECTION A-A



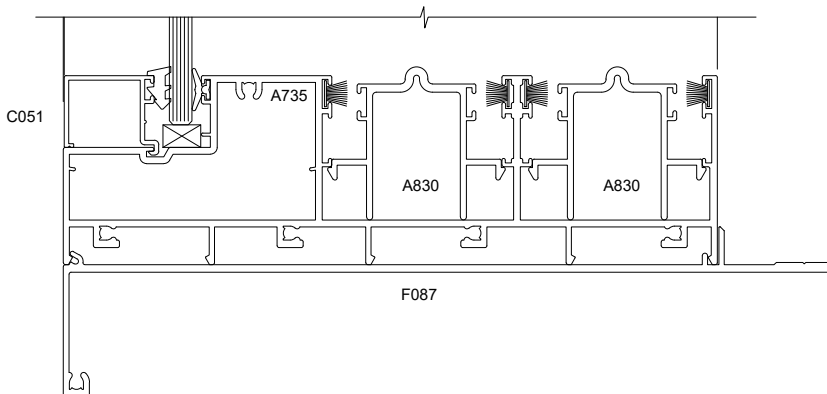
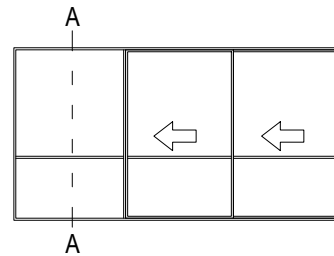
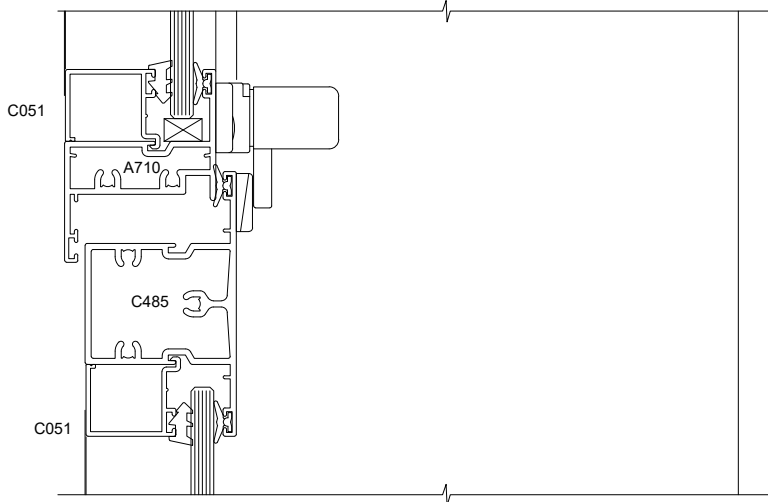
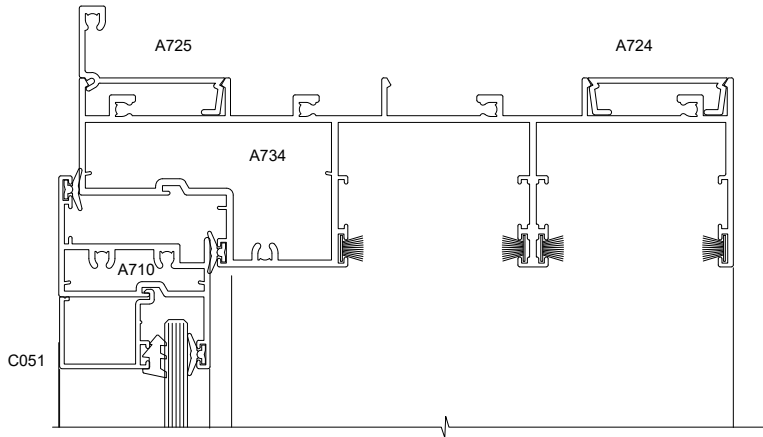
SECTION B-B

SLIDING DOOR

FAIRVIEW SYSTEMS LIMITED SPECIFIERS GUIDE 2014 © TECHNICAL SPECIFICATIONS & PROFILE DETAILS SUBJECT TO CHANGE WITHOUT NOTICE

ARCHITECTURAL CUBIC 40 COMPLETE SUITE

DATE 11.06.2018	SCALE 1:2
REF. AC40.1085	



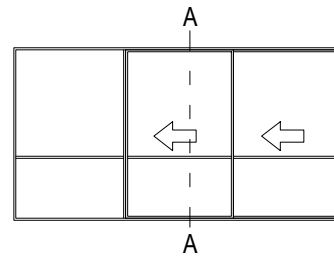
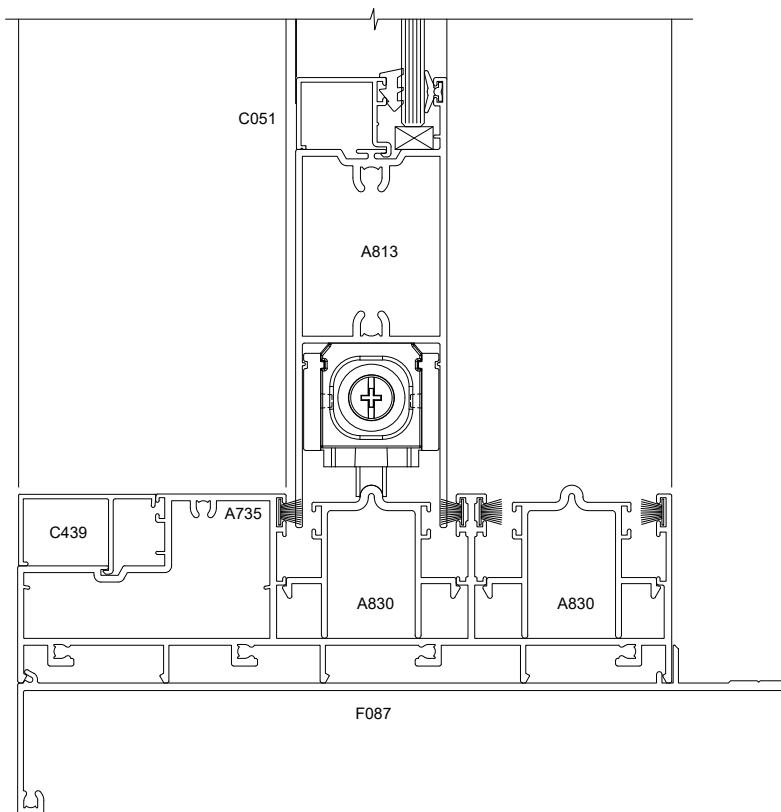
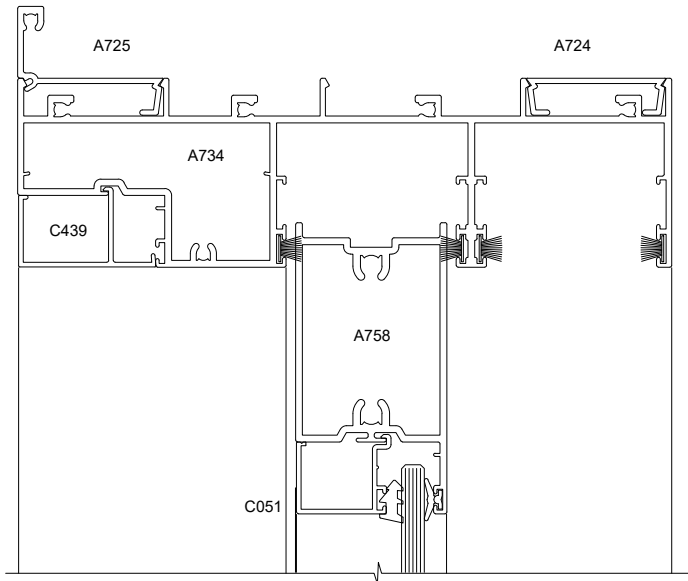
SECTION A-A

STACKING DOOR

FAIRVIEW SYSTEMS LIMITED SPECIFIERS GUIDE 2014 © TECHNICAL SPECIFICATIONS & PROFILE DETAILS SUBJECT TO CHANGE WITHOUT NOTICE

ARCHITECTURAL CUBIC 40 COMPLETE SUITE

DATE 11.06.2018	SCALE 1:2
REF. AC40.1091	



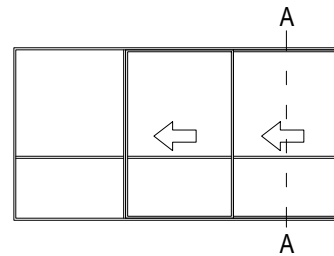
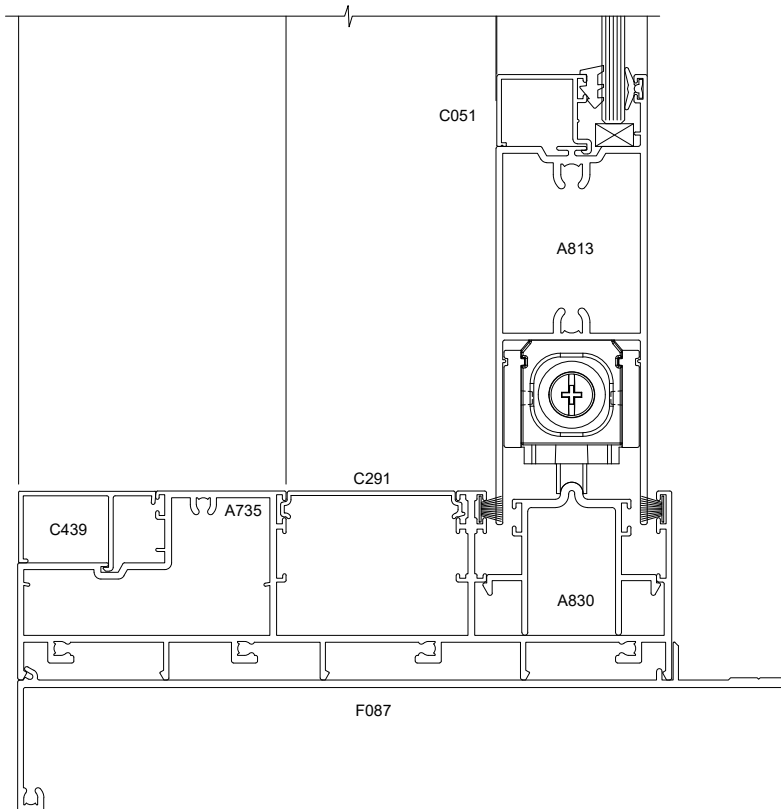
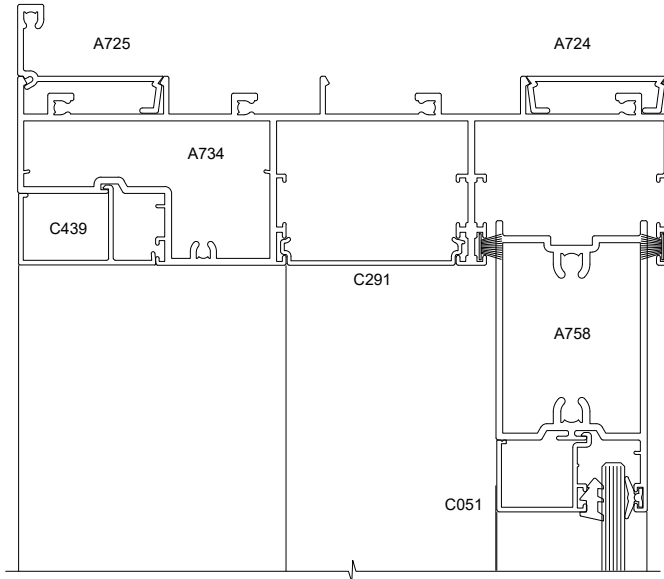
SECTION A-A

STACKING DOOR

FAIRVIEW SYSTEMS LIMITED SPECIFIERS GUIDE 2014 © TECHNICAL SPECIFICATIONS & PROFILE DETAILS SUBJECT TO CHANGE WITHOUT NOTICE

ARCHITECTURAL CUBIC 40 COMPLETE SUITE

DATE 11.06.2018	SCALE 1:2
REF. AC40.1092	



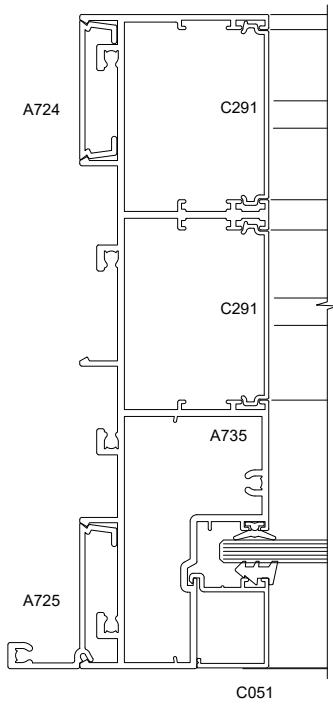
SECTION A-A

STACKING DOOR

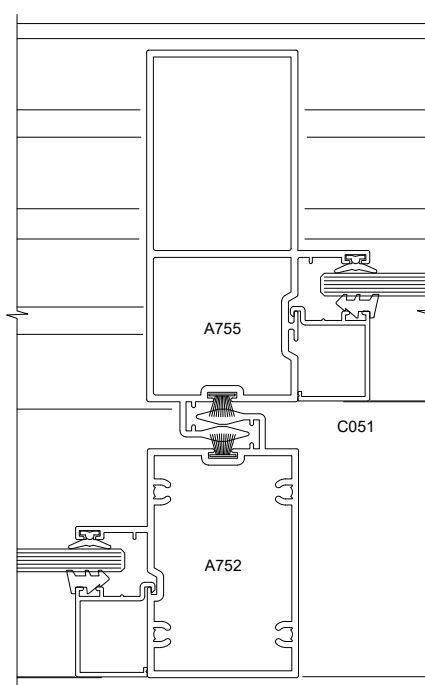
FAIRVIEW SYSTEMS LIMITED SPECIFIERS GUIDE 2014 © TECHNICAL SPECIFICATIONS & PROFILE DETAILS SUBJECT TO CHANGE WITHOUT NOTICE

ARCHITECTURAL CUBIC 40 COMPLETE SUITE

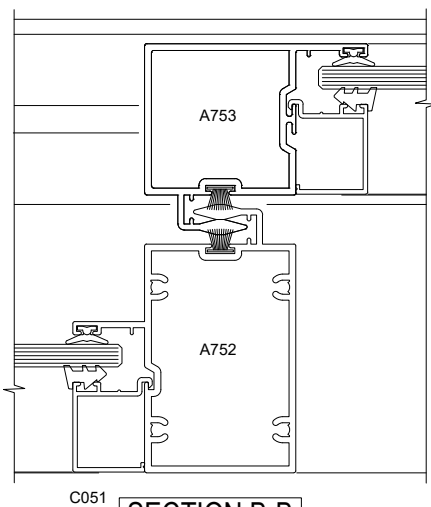
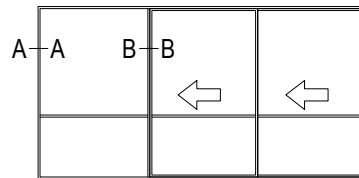
DATE 11.06.2018	SCALE 1:2
REF. AC40.1093	



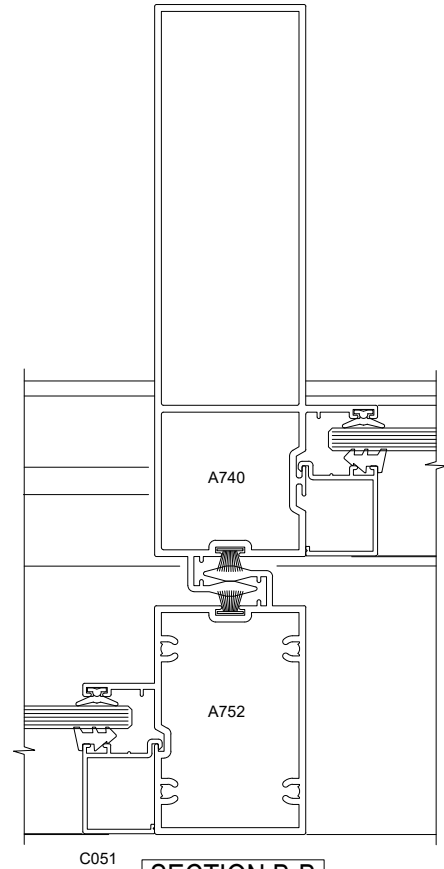
SECTION A-A



SECTION B-B



SECTION B-B



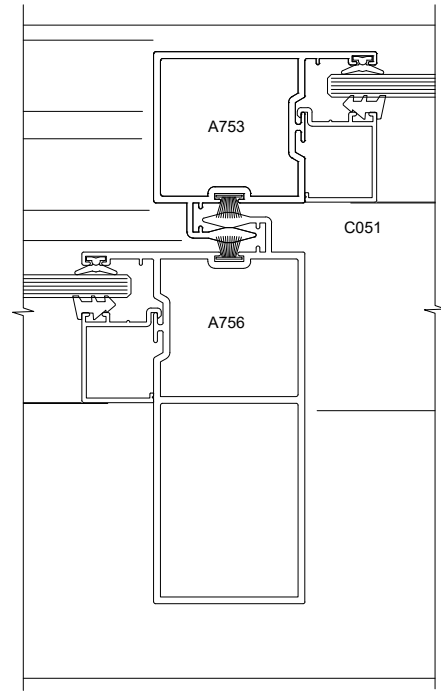
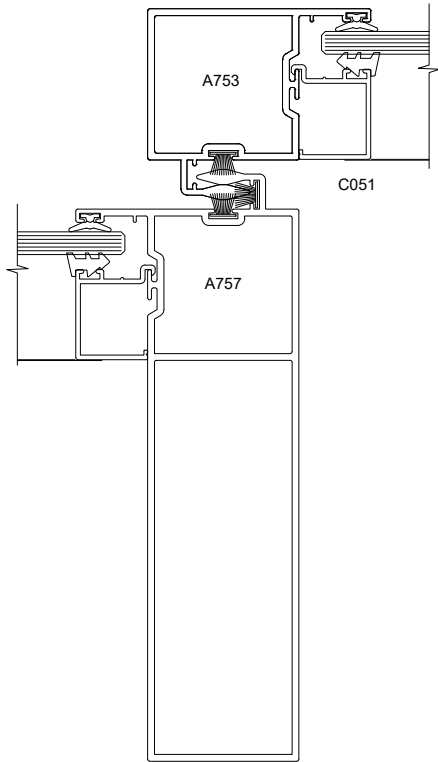
SECTION B-B

STACKING DOOR

FAIRVIEW SYSTEMS LIMITED SPECIFIERS GUIDE 2014 © TECHNICAL SPECIFICATIONS & PROFILE DETAILS SUBJECT TO CHANGE WITHOUT NOTICE

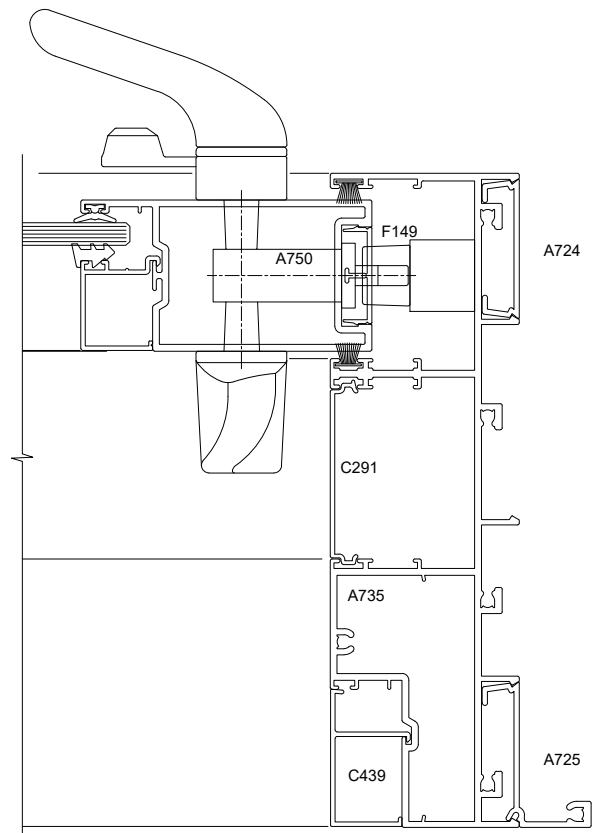
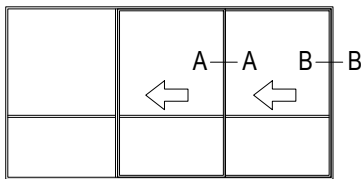
ARCHITECTURAL CUBIC 40 COMPLETE SUITE

DATE 11.06.2018	SCALE 1:2
REF. AC40.1094	



SECTION A-A

SECTION A-A



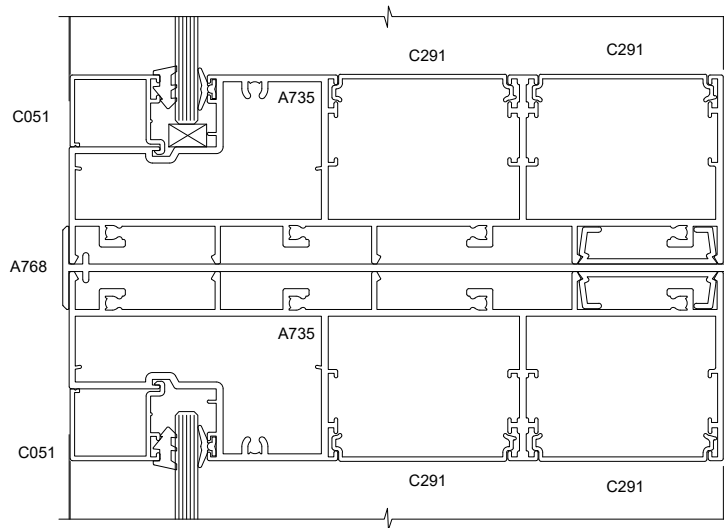
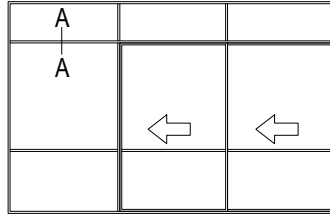
SECTION B-B

STACKING DOOR

FAIRVIEW SYSTEMS LIMITED SPECIFIERS GUIDE 2014 © TECHNICAL SPECIFICATIONS & PROFILE DETAILS SUBJECT TO CHANGE WITHOUT NOTICE

ARCHITECTURAL CUBIC 40 COMPLETE SUITE

DATE 11.06.2018	SCALE 1:2
REF. AC40.1095	



SECTION A-A

STACKING DOOR

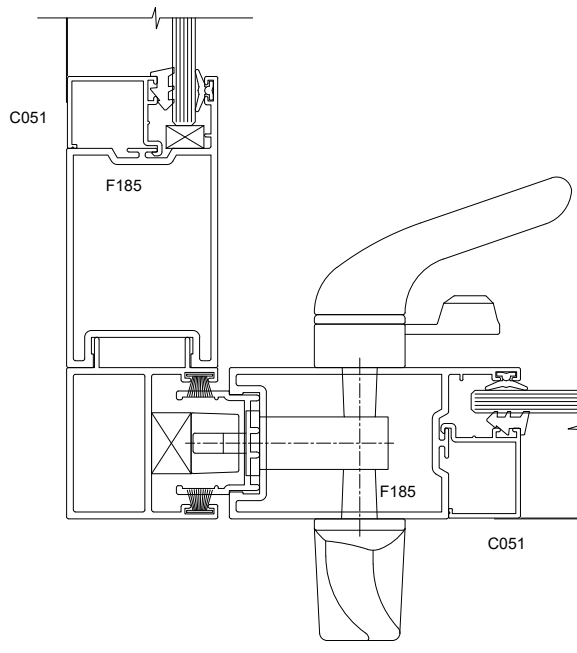
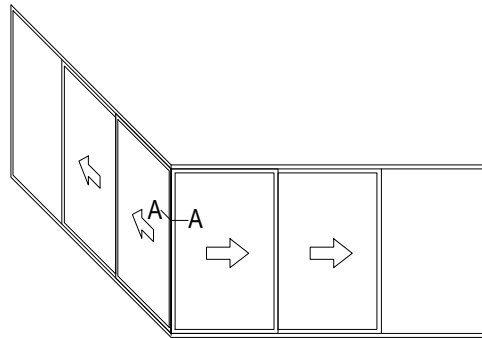
FAIRVIEW SYSTEMS LIMITED SPECIFIERS GUIDE 2014 © TECHNICAL SPECIFICATIONS & PROFILE DETAILS SUBJECT TO CHANGE WITHOUT NOTICE

ARCHITECTURAL CUBIC 40 COMPLETE SUITE

DATE
11.06.2018

SCALE
1:2

REF. AC40.1096



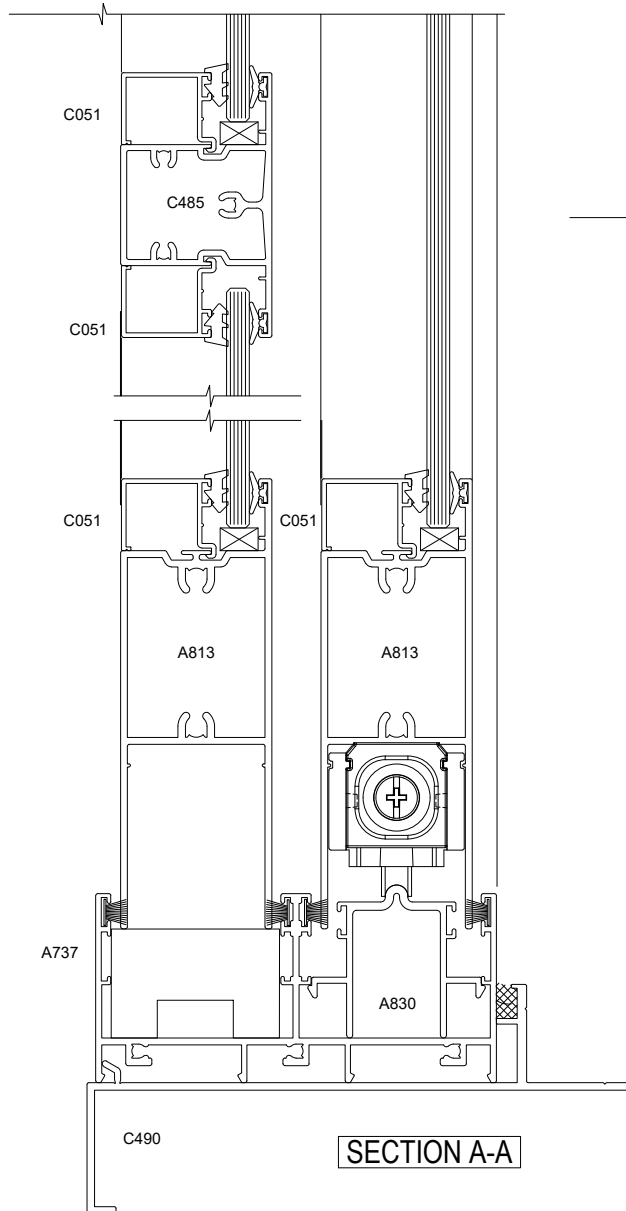
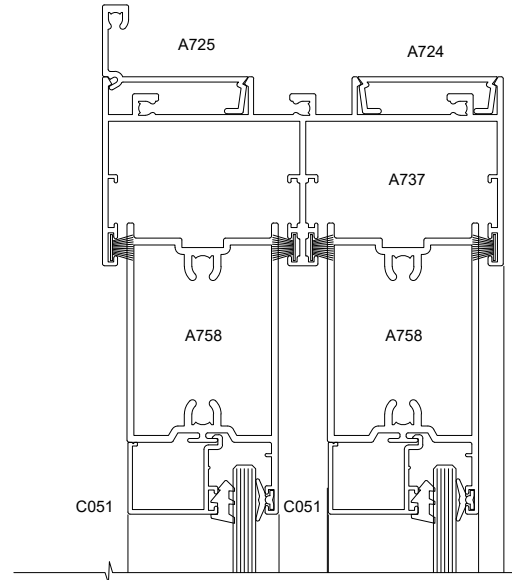
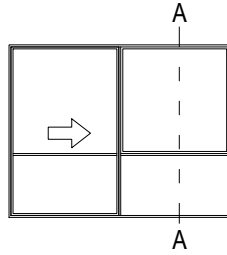
SECTION A-A

STACKING DOOR

FAIRVIEW SYSTEMS LIMITED SPECIFIERS GUIDE 2014 © TECHNICAL SPECIFICATIONS & PROFILE DETAILS SUBJECT TO CHANGE WITHOUT NOTICE

ARCHITECTURAL CUBIC 40 COMPLETE SUITE

DATE 11.06.2018	SCALE 1:2
REF. AC40.1097	

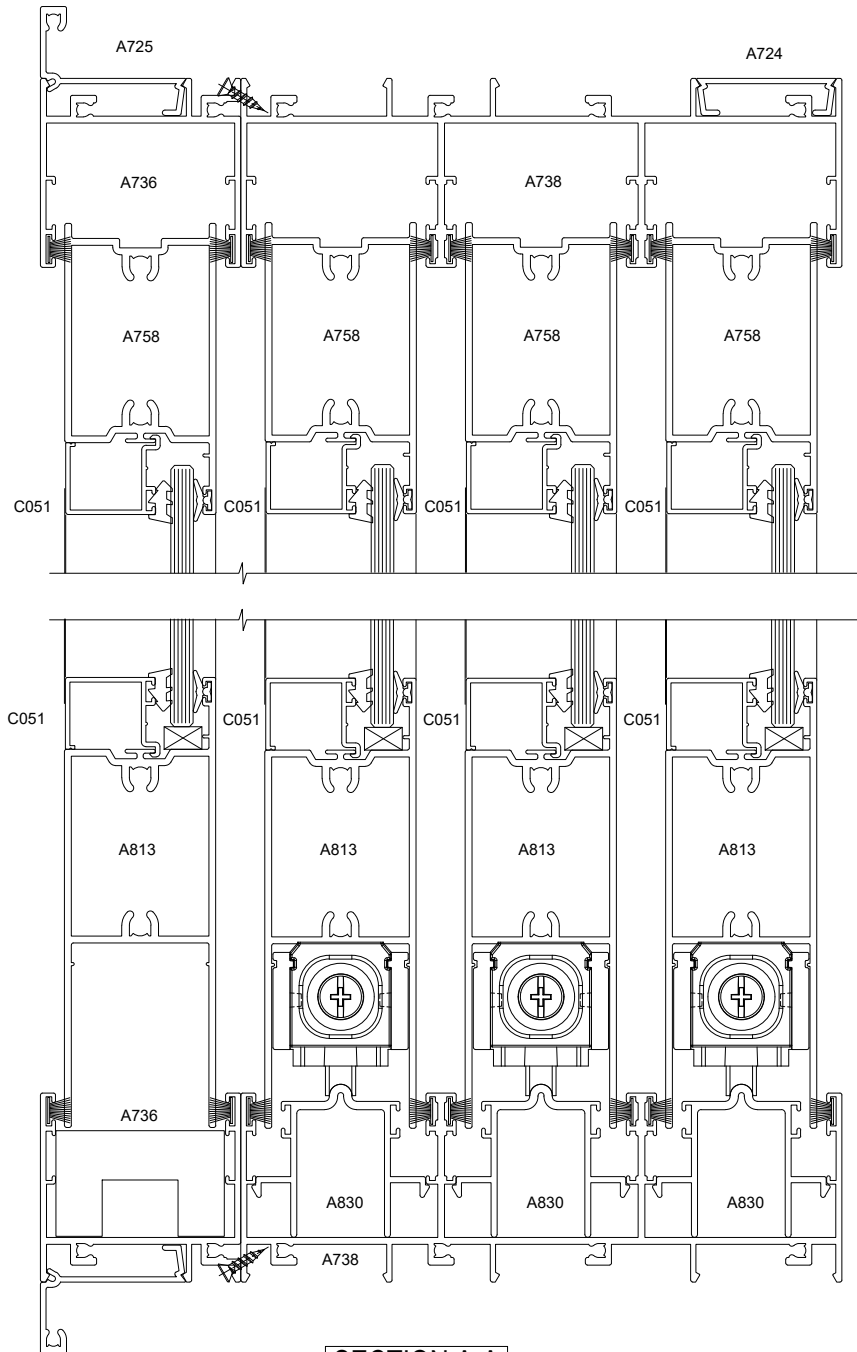
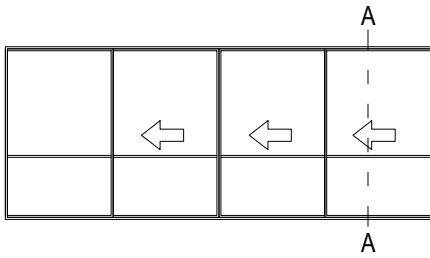


TRACK ONLY SLIDERS

FAIRVIEW SYSTEMS LIMITED SPECIFIERS GUIDE 2014 © TECHNICAL SPECIFICATIONS & PROFILE DETAILS SUBJECT TO CHANGE WITHOUT NOTICE

ARCHITECTURAL CUBIC 40 COMPLETE SUITE

DATE 11.06.2018	SCALE 1:2
REF. AC40.1101	



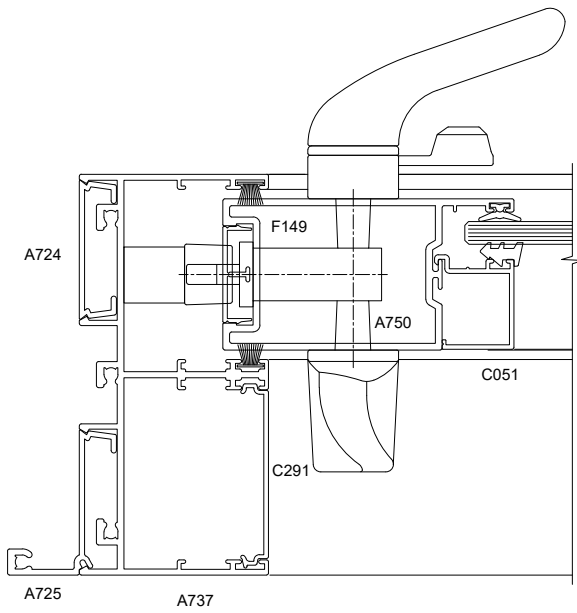
SECTION A-A

TRACK ONLY SLIDERS

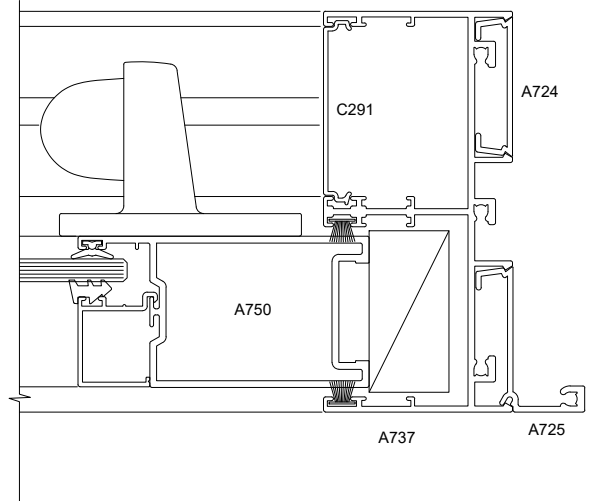
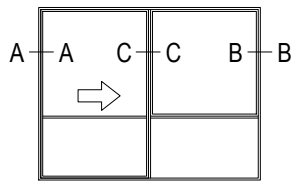
FAIRVIEW SYSTEMS LIMITED SPECIFIERS GUIDE 2014 © TECHNICAL SPECIFICATIONS & PROFILE DETAILS SUBJECT TO CHANGE WITHOUT NOTICE

ARCHITECTURAL CUBIC 40 COMPLETE SUITE

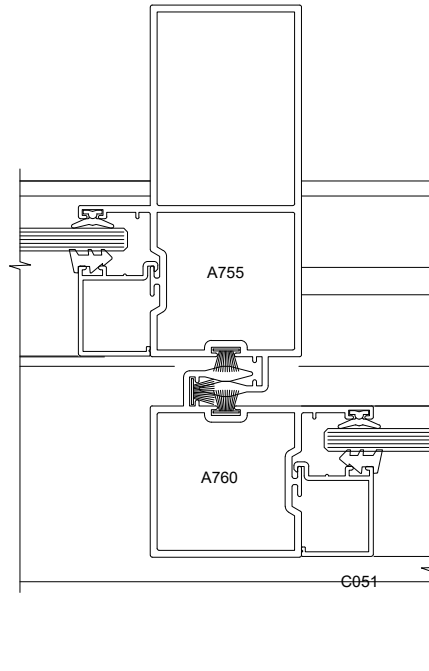
DATE 11.06.2018	SCALE 1:2
REF. AC40.1102	



SECTION A-A



SECTION B-B



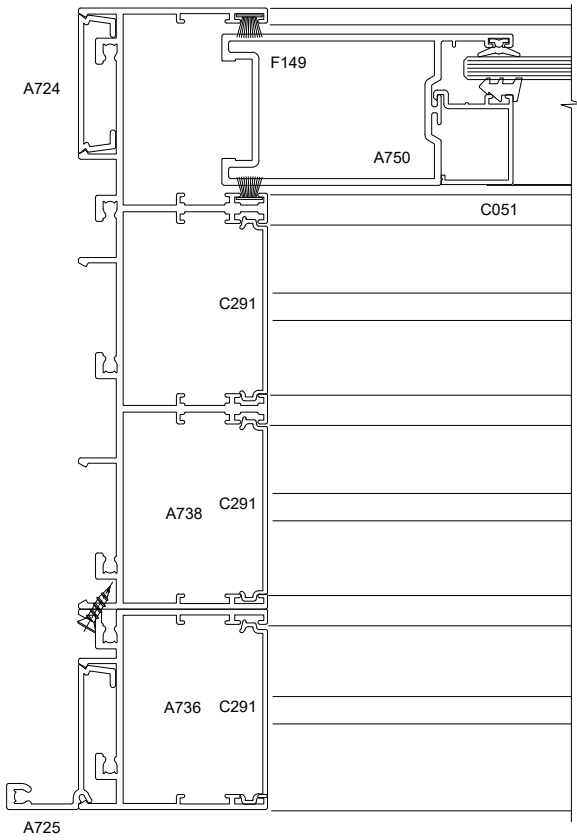
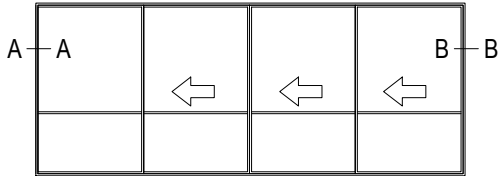
SECTION C-C

TRACK ONLY SLIDERS

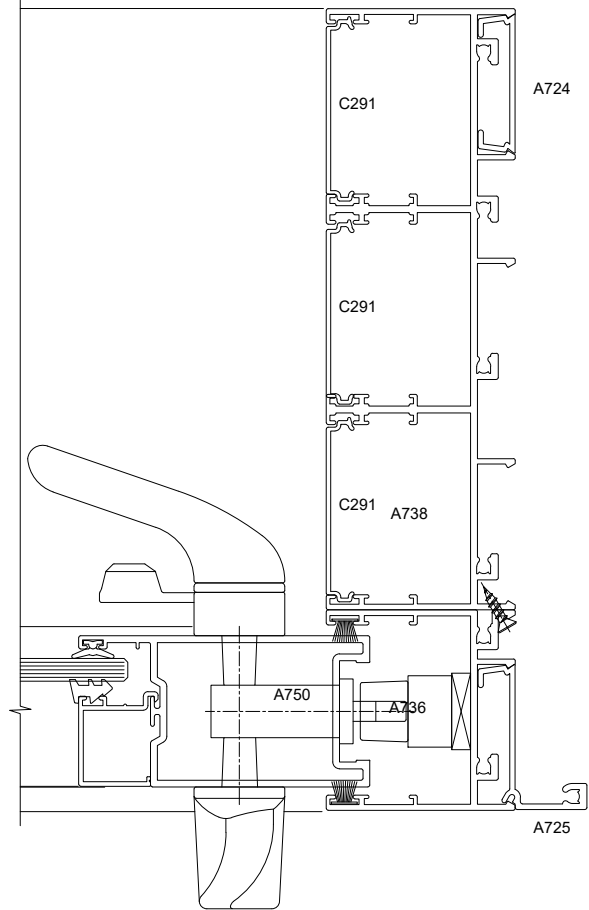
FAIRVIEW SYSTEMS LIMITED SPECIFIERS GUIDE 2014 © TECHNICAL SPECIFICATIONS & PROFILE DETAILS SUBJECT TO CHANGE WITHOUT NOTICE

ARCHITECTURAL CUBIC 40 COMPLETE SUITE

DATE 11.06.2018	SCALE 1:2
REF. AC40.1103	



SECTION A-A



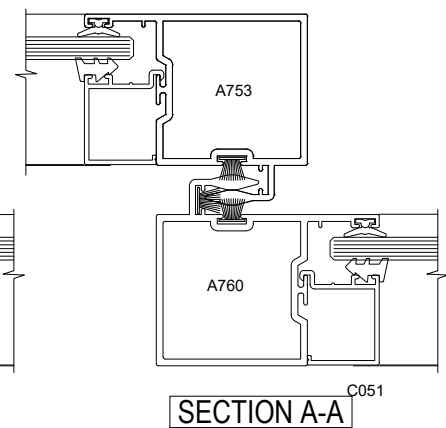
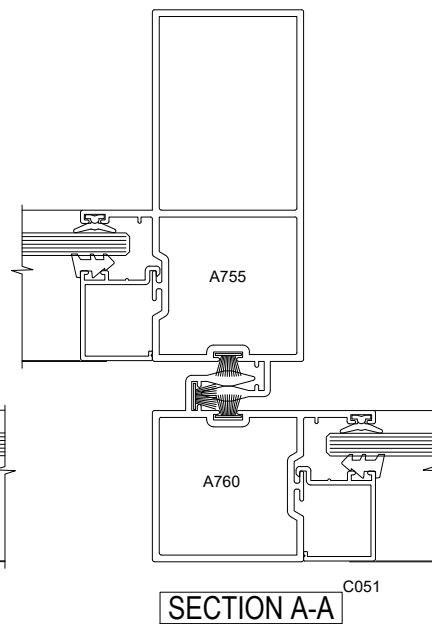
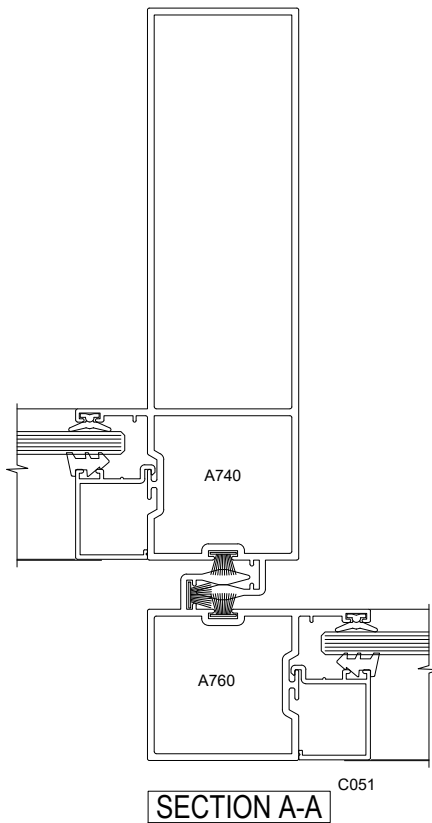
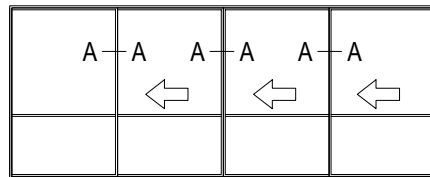
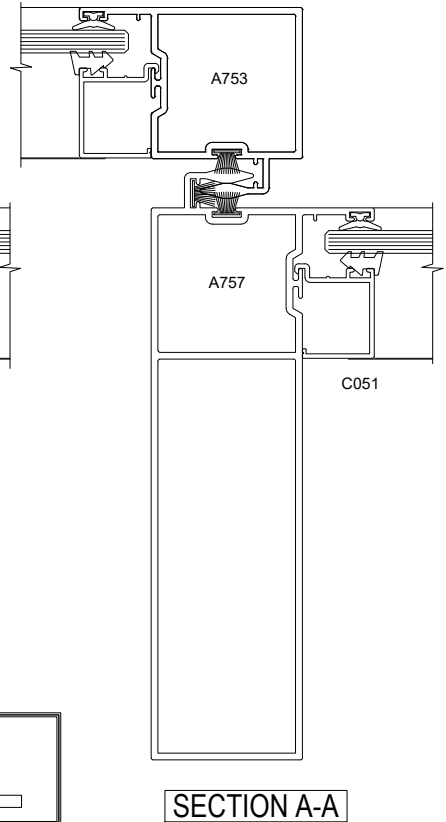
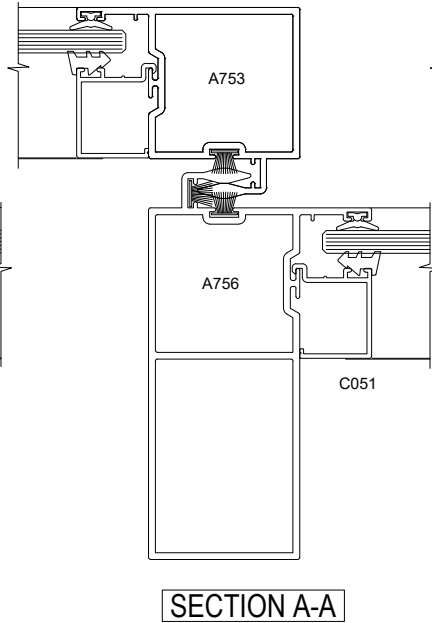
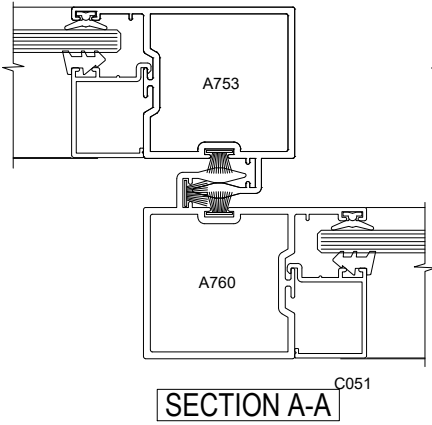
SECTION B-B

TRACK ONLY SLIDERS

FAIRVIEW SYSTEMS LIMITED SPECIFIERS GUIDE 2014 © TECHNICAL SPECIFICATIONS & PROFILE DETAILS SUBJECT TO CHANGE WITHOUT NOTICE

ARCHITECTURAL CUBIC 40 COMPLETE SUITE

DATE 11.06.2018	SCALE 1:2
REF. AC40.1104	

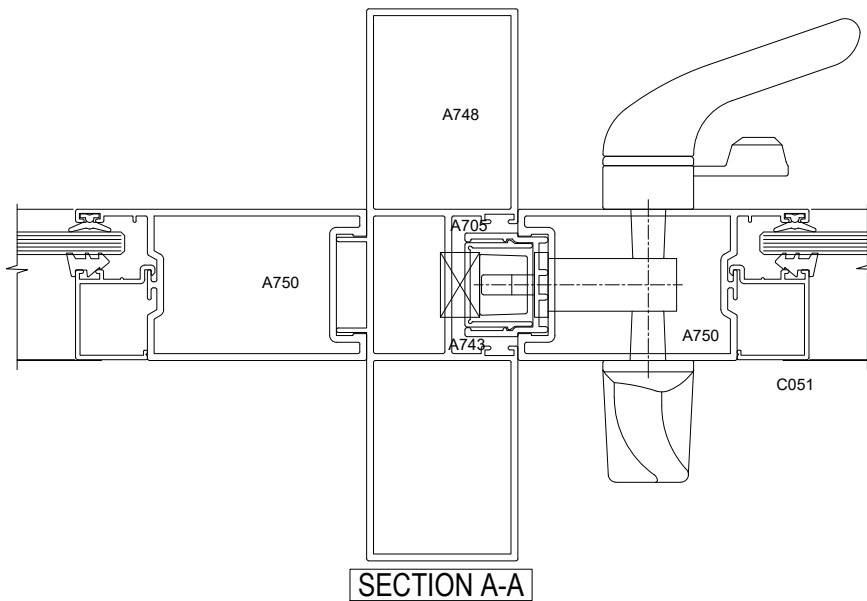
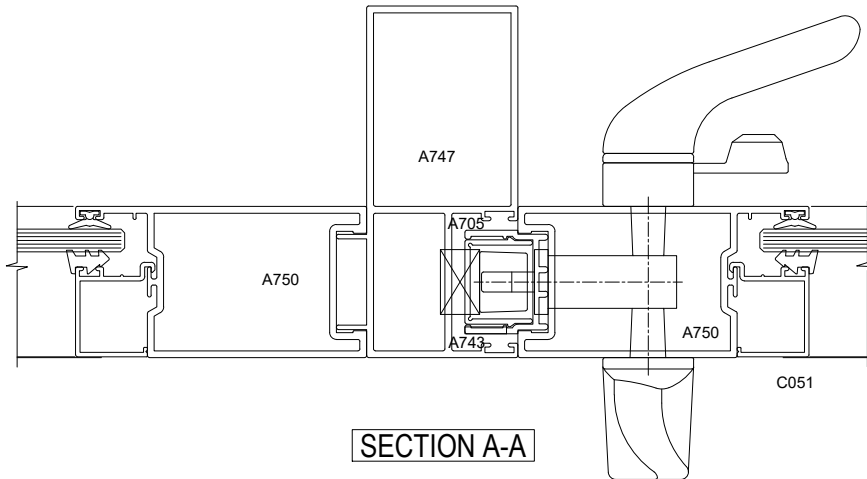
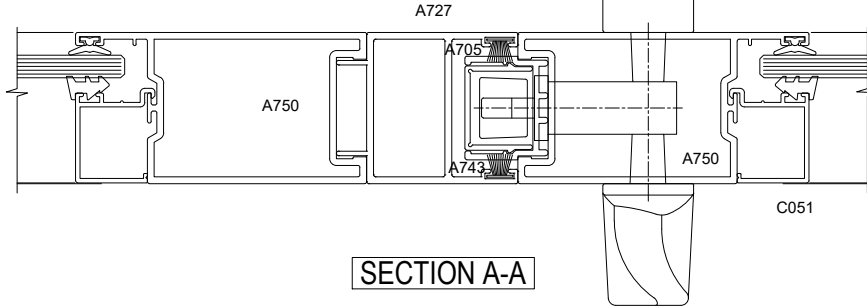
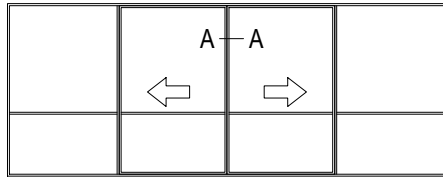


TRACK ONLY SLIDERS

FAIRVIEW SYSTEMS LIMITED SPECIFIERS GUIDE 2014 © TECHNICAL SPECIFICATIONS & PROFILE DETAILS SUBJECT TO CHANGE WITHOUT NOTICE

ARCHITECTURAL CUBIC 40 COMPLETE SUITE

DATE 11.06.2018	SCALE 1:2
REF. AC40.1105	

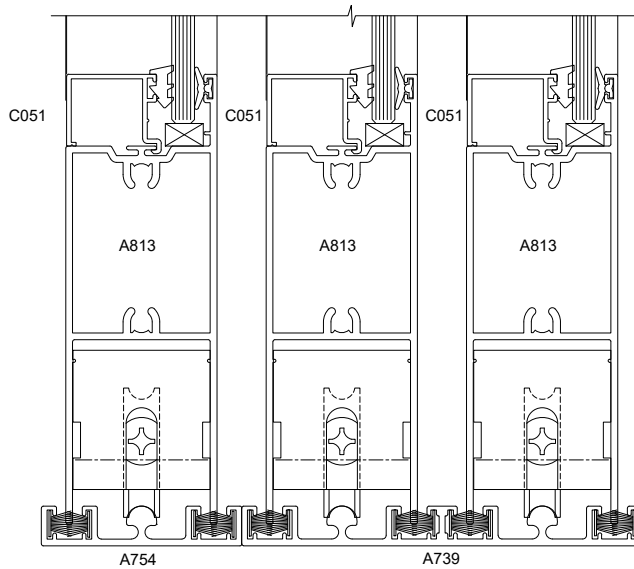
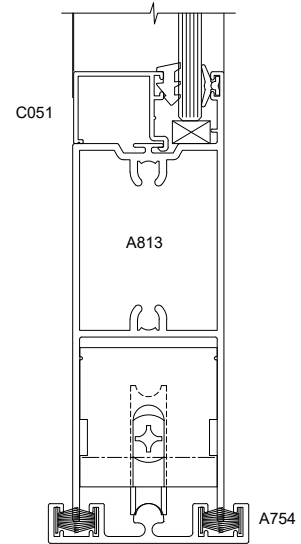
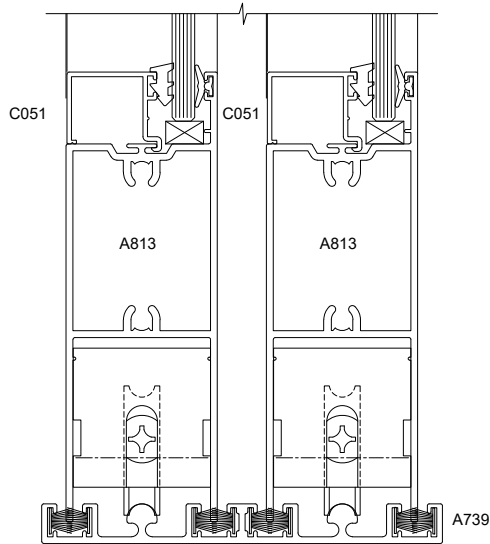


TRACK ONLY SLIDERS

FAIRVIEW SYSTEMS LIMITED SPECIFIERS GUIDE 2014 © TECHNICAL SPECIFICATIONS & PROFILE DETAILS SUBJECT TO CHANGE WITHOUT NOTICE

ARCHITECTURAL CUBIC 40 COMPLETE SUITE

DATE 11.06.2018	SCALE 1:2
REF. AC40.1106	

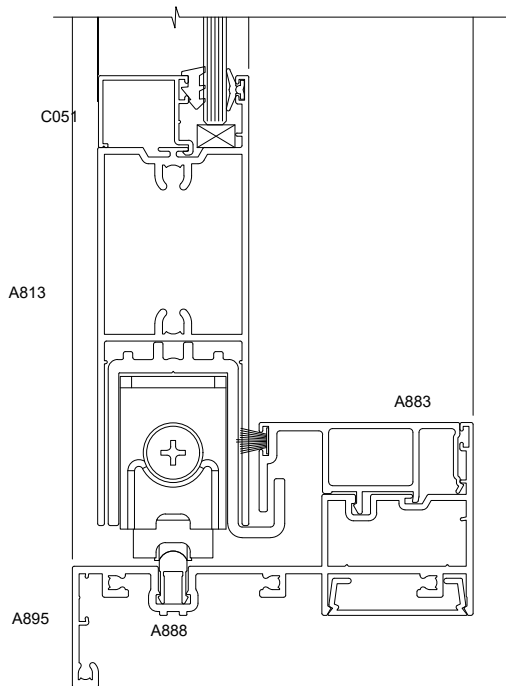
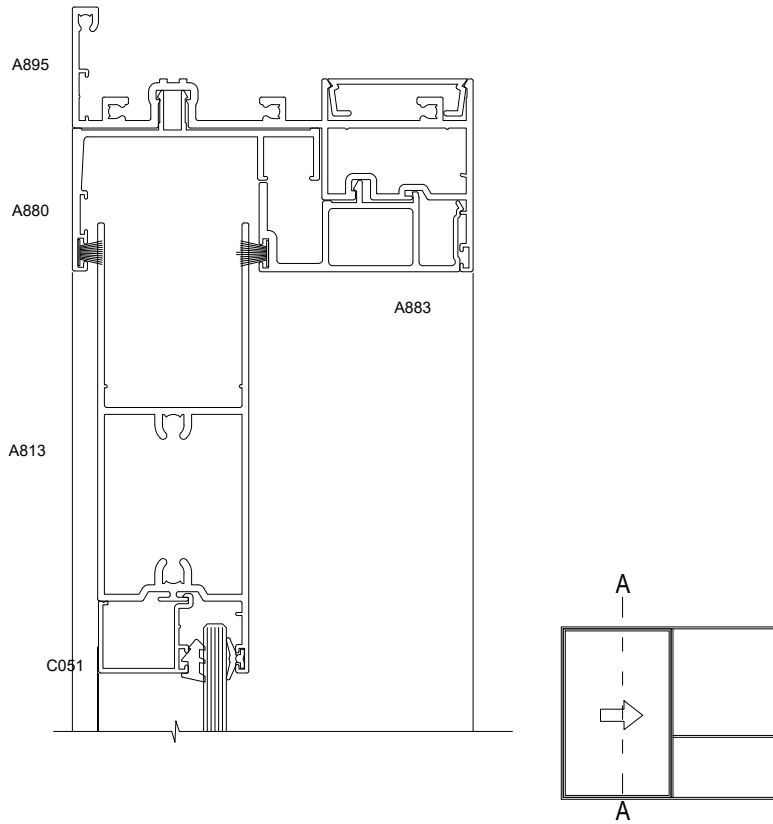


TRACK ONLY SLIDERS NON-WEATHERED TRACKS

FAIRVIEW SYSTEMS LIMITED SPECIFIERS GUIDE 2014 © TECHNICAL SPECIFICATIONS & PROFILE DETAILS SUBJECT TO CHANGE WITHOUT NOTICE

ARCHITECTURAL CUBIC 40 COMPLETE SUITE

DATE 11.06.2018	SCALE 1:2
REF. AC40.1107	



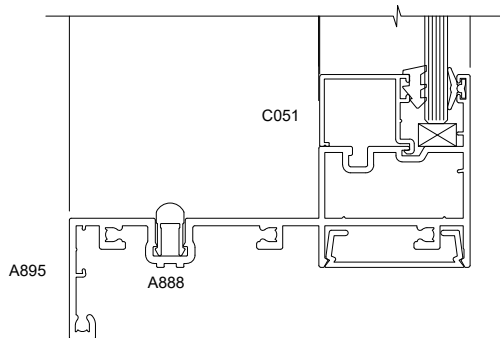
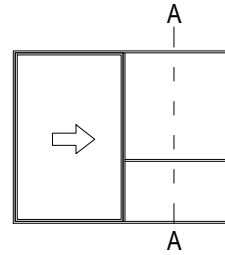
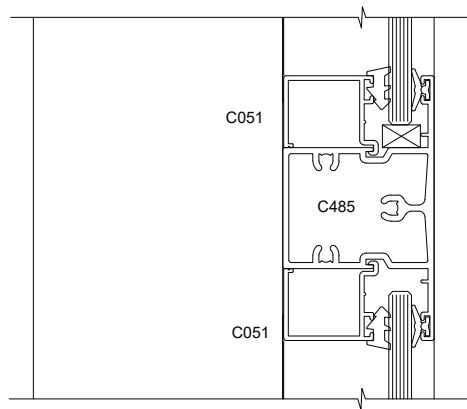
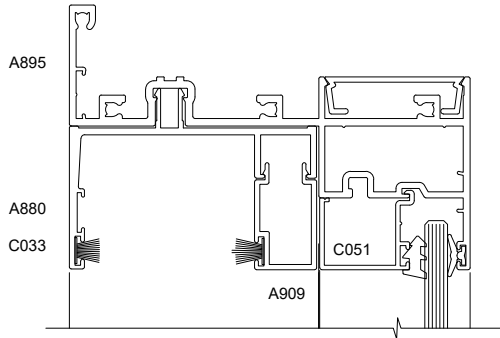
SECTION A-A

EXTERNAL SLIDERS

FAIRVIEW SYSTEMS LIMITED SPECIFIERS GUIDE 2014 © TECHNICAL SPECIFICATIONS & PROFILE DETAILS SUBJECT TO CHANGE WITHOUT NOTICE

ARCHITECTURAL CUBIC 40 COMPLETE SUITE

DATE 11.06.2018	SCALE 1:2
REF. AC40.1111	



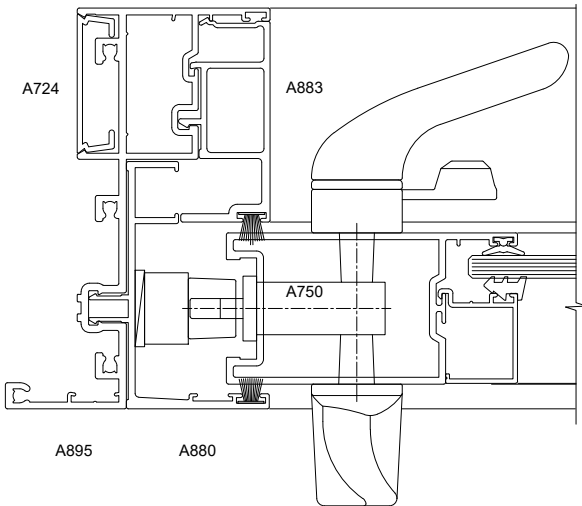
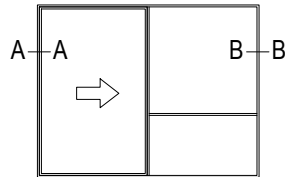
SECTION A-A

EXTERNAL SLIDERS

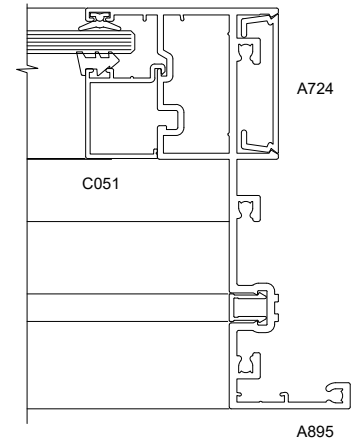
FAIRVIEW SYSTEMS LIMITED SPECIFIERS GUIDE 2014 © TECHNICAL SPECIFICATIONS & PROFILE DETAILS SUBJECT TO CHANGE WITHOUT NOTICE

ARCHITECTURAL CUBIC 40 COMPLETE SUITE

DATE 11.06.2018	SCALE 1:2
REF. AC40.1112	



SECTION A-A



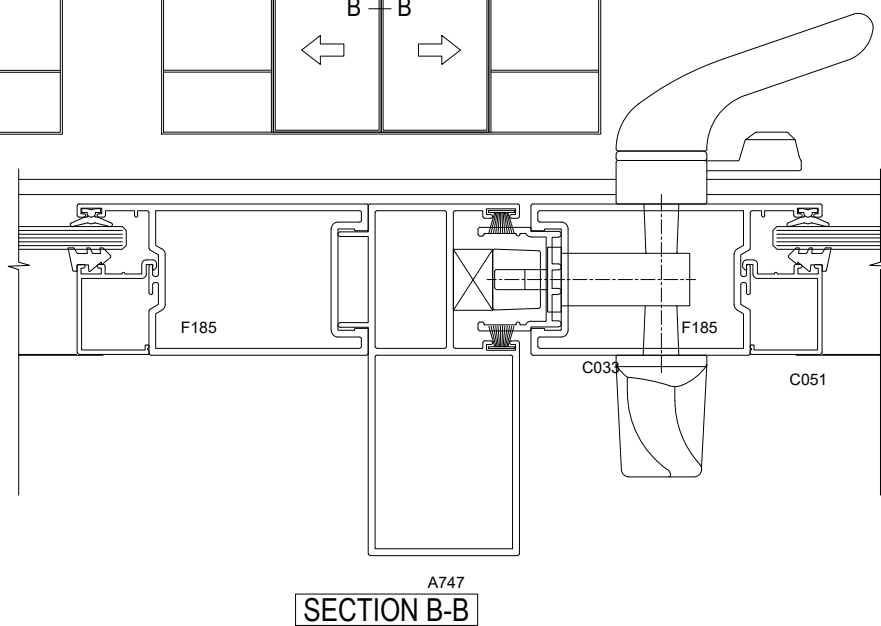
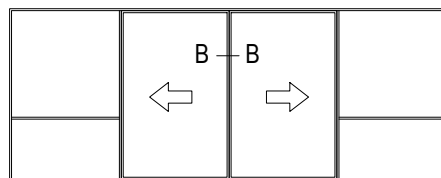
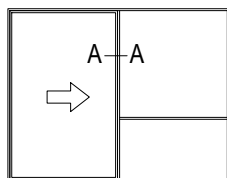
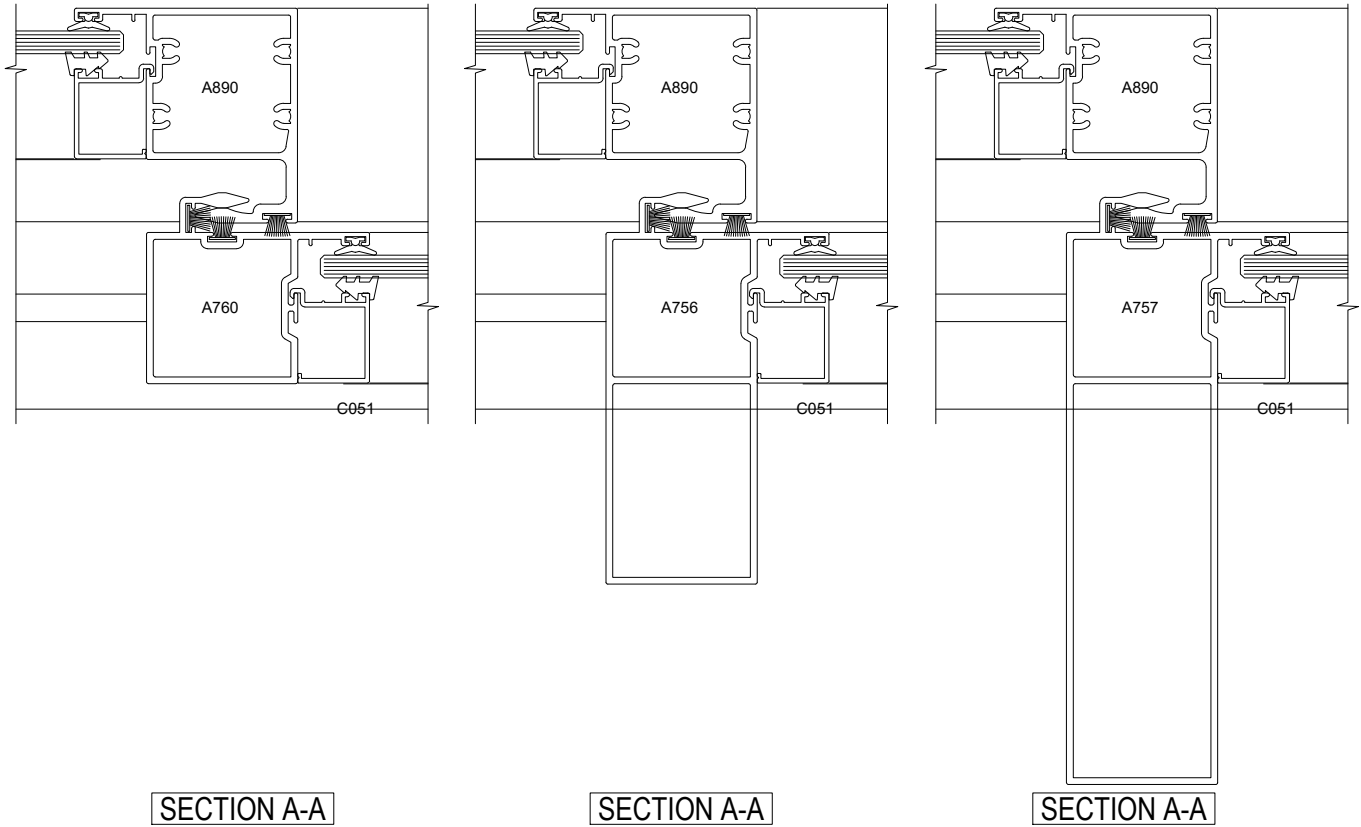
SECTION B-B

EXTERNAL SLIDERS

FAIRVIEW SYSTEMS LIMITED SPECIFIERS GUIDE 2014 © TECHNICAL SPECIFICATIONS & PROFILE DETAILS SUBJECT TO CHANGE WITHOUT NOTICE

ARCHITECTURAL CUBIC 40 COMPLETE SUITE

DATE 11.06.2018	SCALE 1:2
REF. AC40.1113	

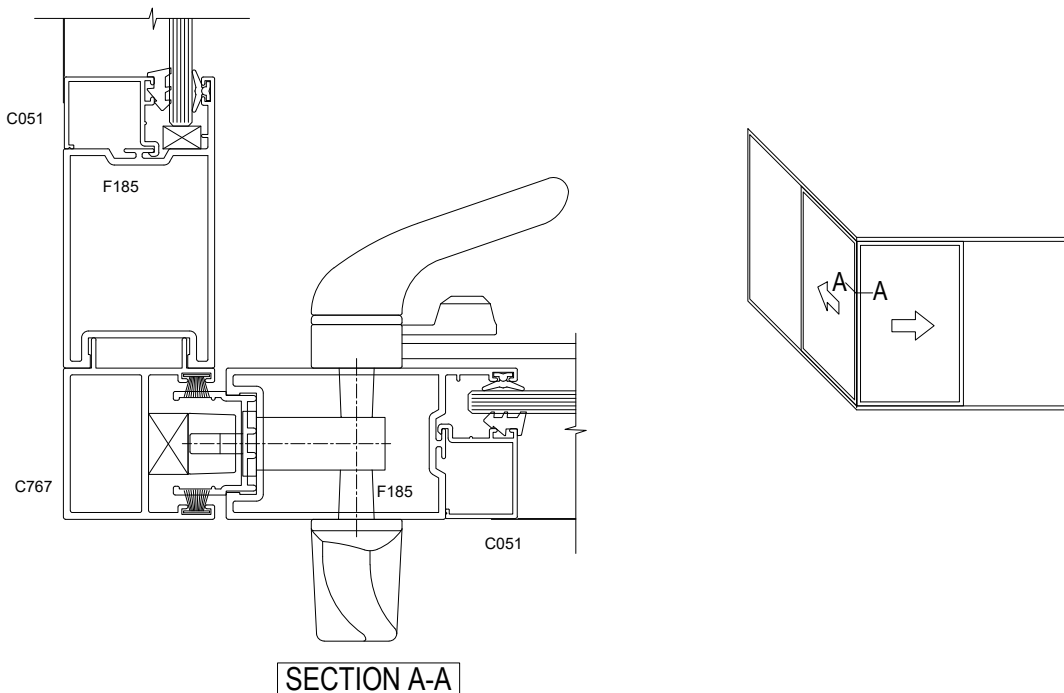


SLIDING DOOR

FAIRVIEW SYSTEMS LIMITED SPECIFIERS GUIDE 2014 © TECHNICAL SPECIFICATIONS & PROFILE DETAILS SUBJECT TO CHANGE WITHOUT NOTICE

ARCHITECTURAL CUBIC 40 COMPLETE SUITE

DATE 11.06.2018	SCALE 1:2
REF. AC40.1114	

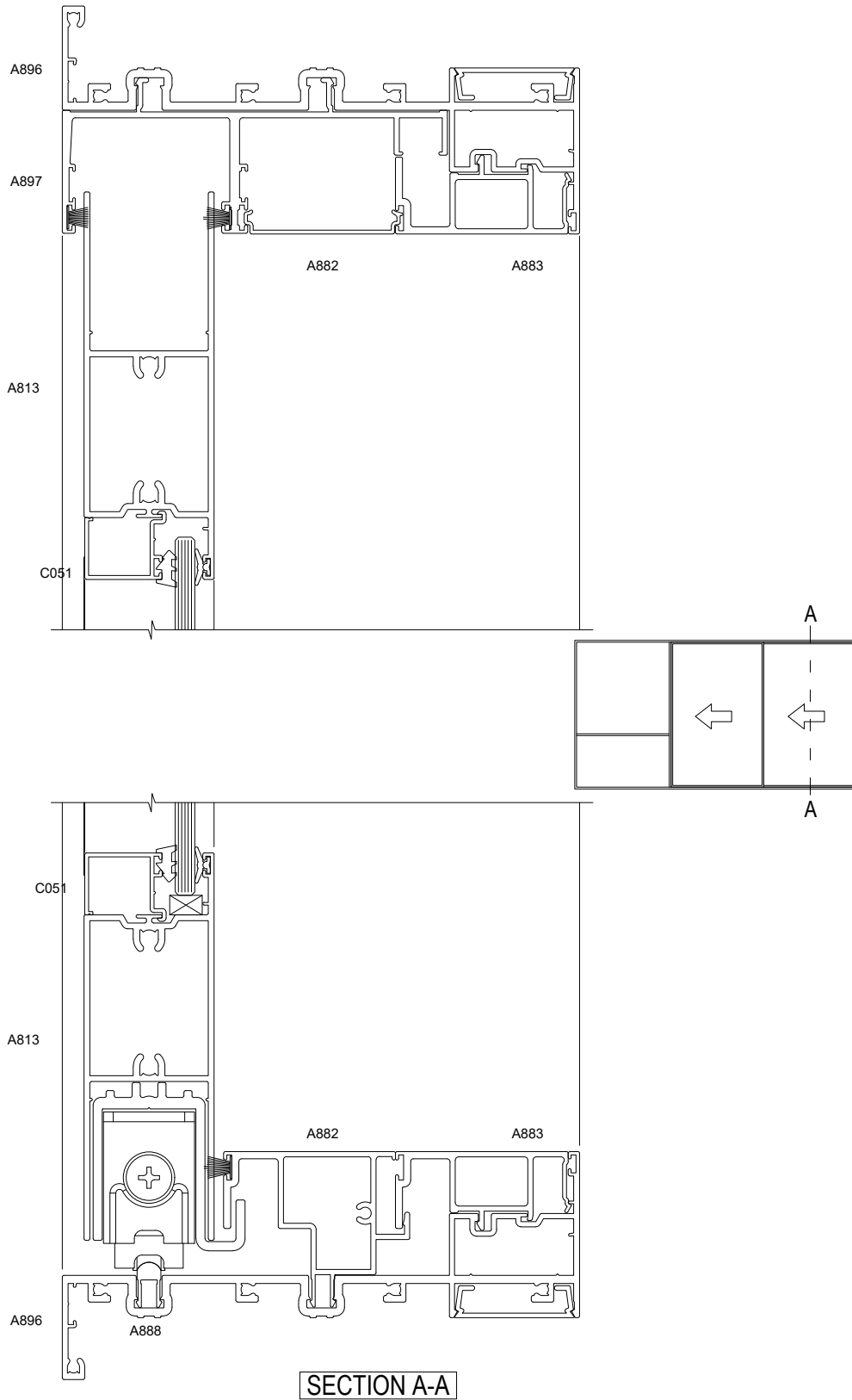


SLIDING DOOR

FAIRVIEW SYSTEMS LIMITED SPECIFIERS GUIDE 2014 © TECHNICAL SPECIFICATIONS & PROFILE DETAILS SUBJECT TO CHANGE WITHOUT NOTICE

ARCHITECTURAL CUBIC 40 COMPLETE SUITE

DATE 11.06.2018	SCALE 1:2
REF. AC40.1115	



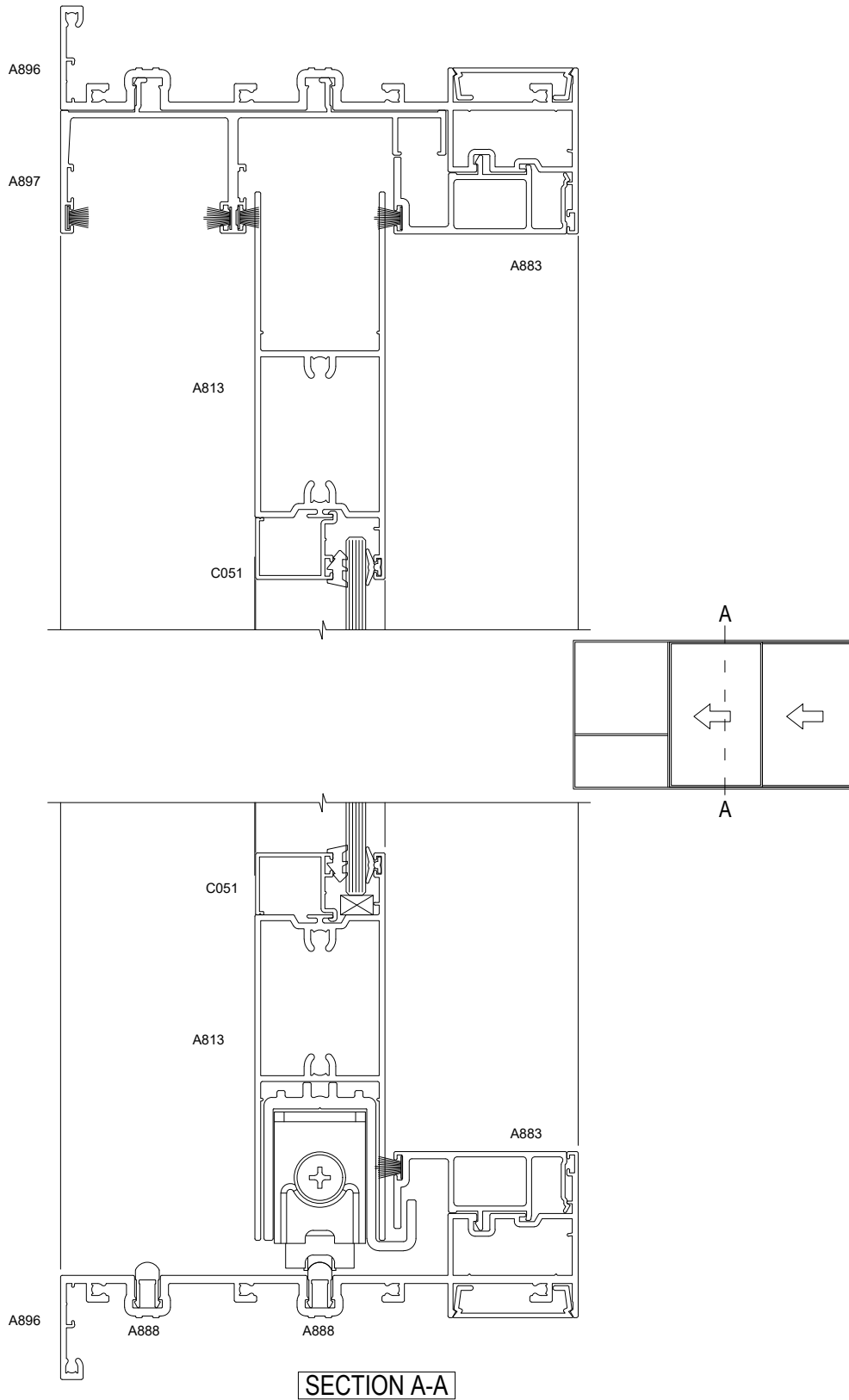
SECTION A-A

EXTERNAL STACKERS

FAIRVIEW SYSTEMS LIMITED SPECIFIERS GUIDE 2014 © TECHNICAL SPECIFICATIONS & PROFILE DETAILS SUBJECT TO CHANGE WITHOUT NOTICE

ARCHITECTURAL CUBIC 40 COMPLETE SUITE

DATE 11.06.2018	SCALE 1:2
REF. AC40.1121	

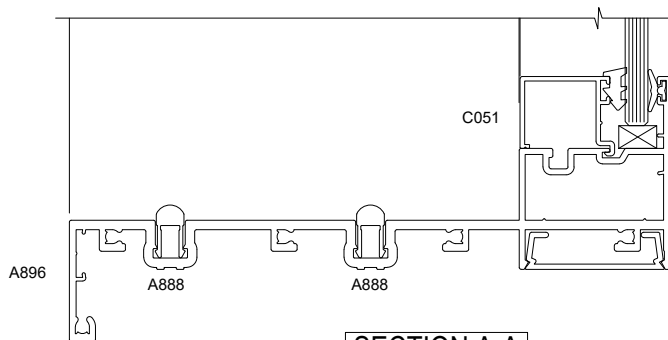
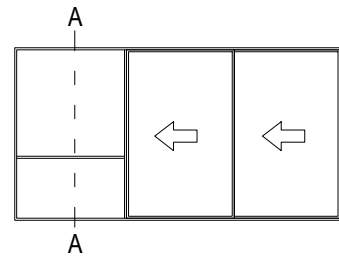
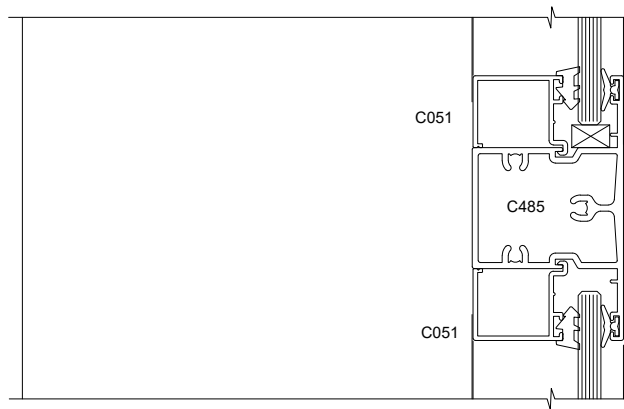
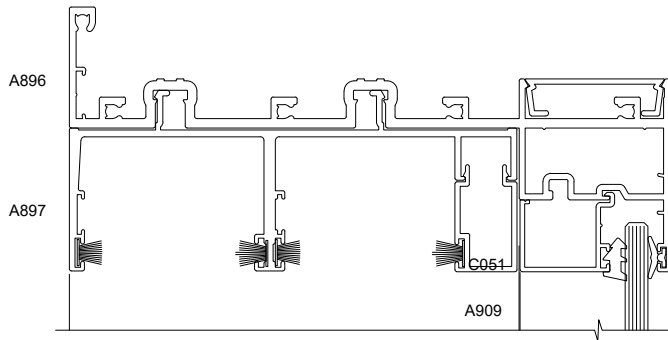


EXTERNAL STACKERS

FAIRVIEW SYSTEMS LIMITED SPECIFIERS GUIDE 2014 © TECHNICAL SPECIFICATIONS & PROFILE DETAILS SUBJECT TO CHANGE WITHOUT NOTICE

ARCHITECTURAL CUBIC 40 COMPLETE SUITE

DATE 11.06.2018	SCALE 1:2
REF. AC40.1122	



SECTION A-A

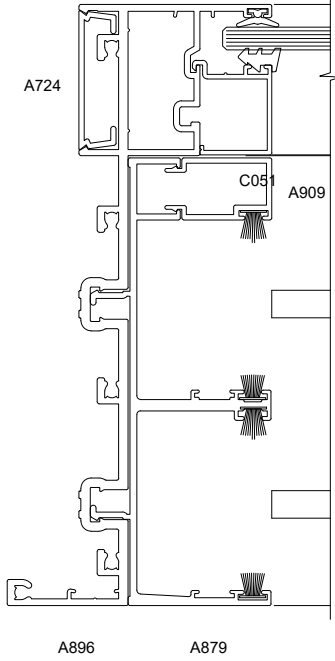
EXTERNAL STACKERS

FAIRVIEW SYSTEMS LIMITED SPECIFIERS GUIDE 2014 © TECHNICAL SPECIFICATIONS & PROFILE DETAILS SUBJECT TO CHANGE WITHOUT NOTICE

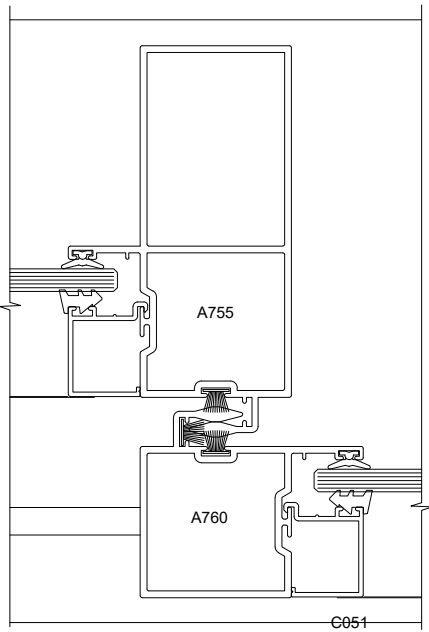
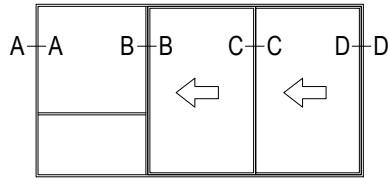
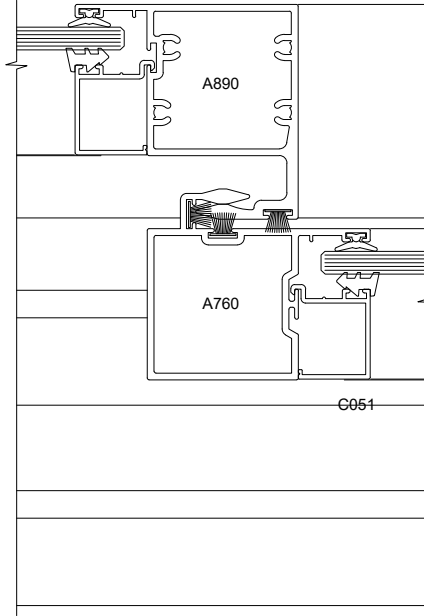
ARCHITECTURAL CUBIC 40 COMPLETE SUITE

DATE 11.06.2018	SCALE 1:2
REF. AC40.1123	

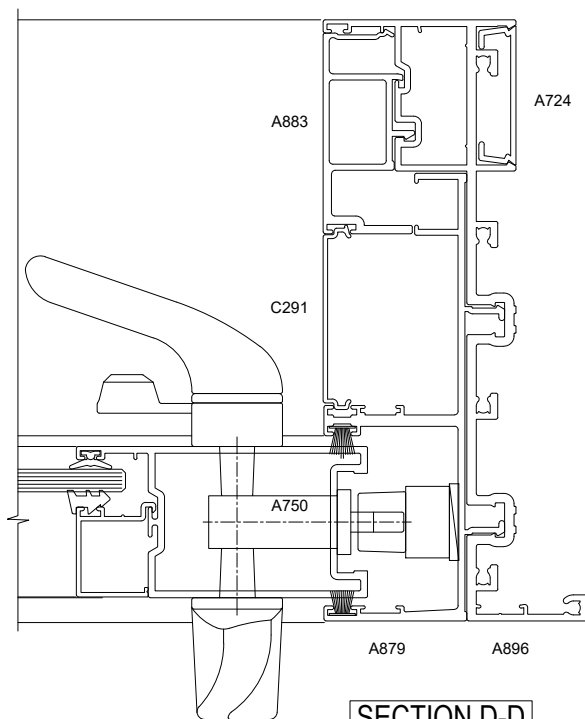
SECTION A-A



SECTION B-B



SECTION C-C



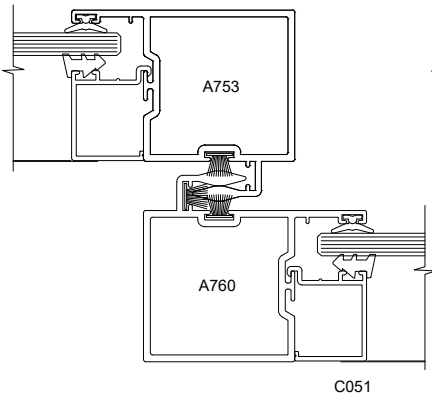
SECTION D-D

EXTERNAL STACKERS

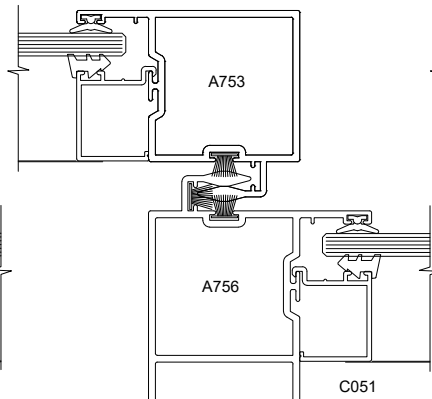
FAIRVIEW SYSTEMS LIMITED SPECIFIERS GUIDE 2014 © TECHNICAL SPECIFICATIONS & PROFILE DETAILS SUBJECT TO CHANGE WITHOUT NOTICE

ARCHITECTURAL CUBIC 40 COMPLETE SUITE

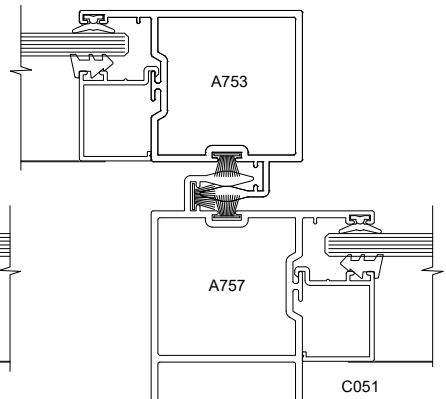
DATE 11.06.2018	SCALE 1:2
REF. AC40.1124	



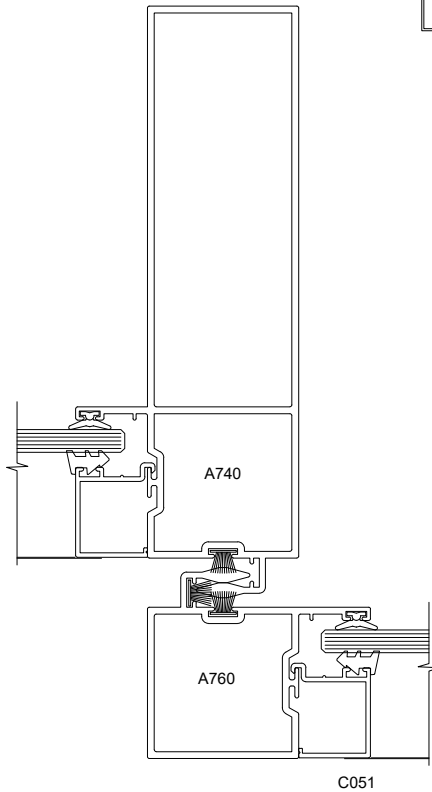
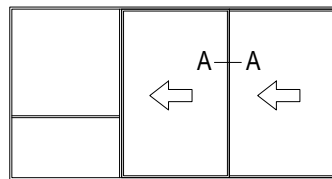
SECTION A-A



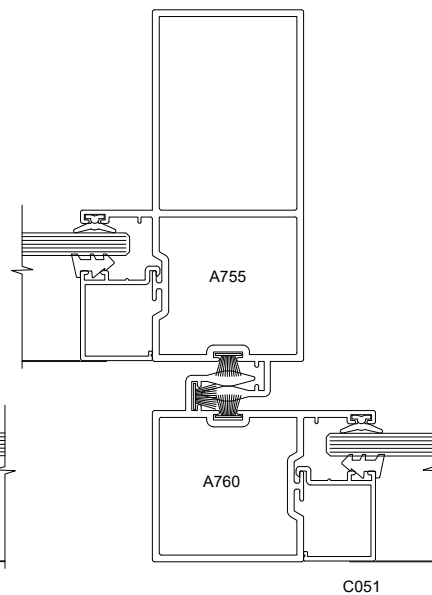
SECTION A-A



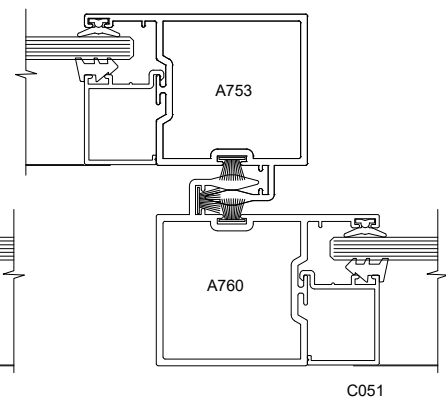
SECTION A-A



SECTION A-A



SECTION A-A



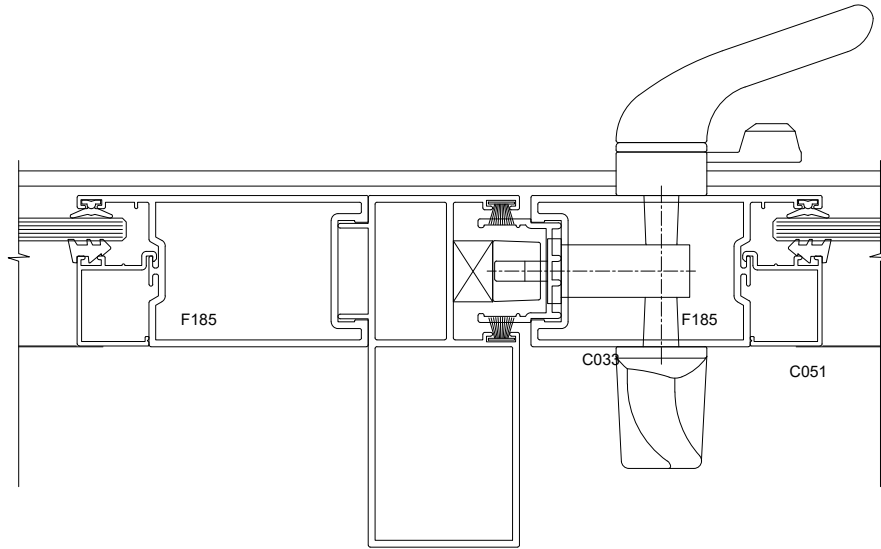
SECTION A-A

EXTERNAL STACKERS

FAIRVIEW SYSTEMS LIMITED SPECIFIERS GUIDE 2014 © TECHNICAL SPECIFICATIONS & PROFILE DETAILS SUBJECT TO CHANGE WITHOUT NOTICE

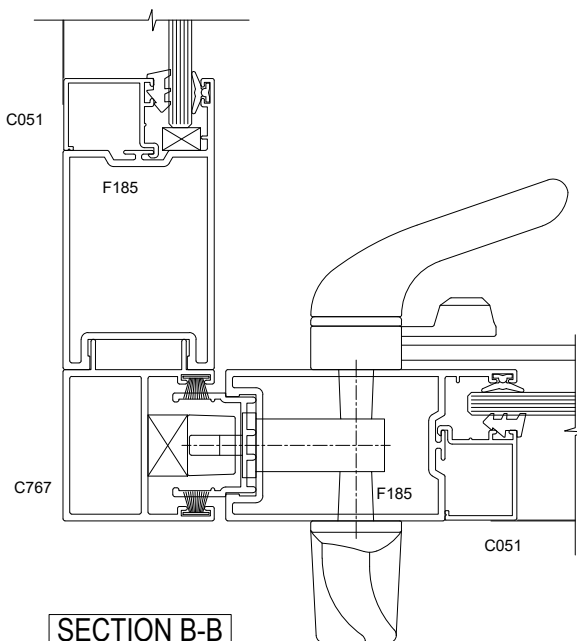
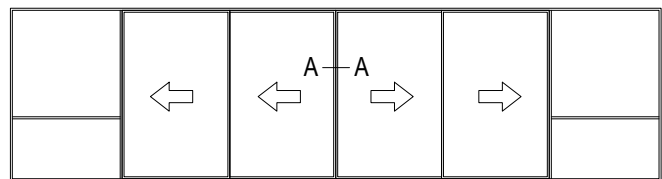
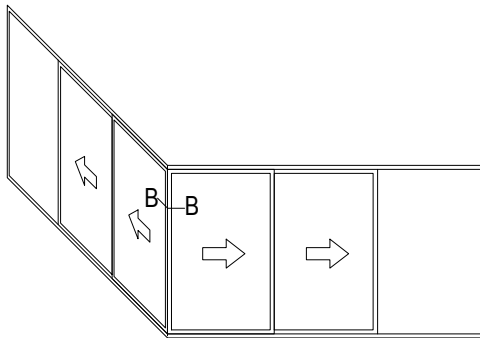
ARCHITECTURAL CUBIC 40 COMPLETE SUITE

DATE 11.06.2018	SCALE 1:2
REF. AC40.1125	



A747

SECTION A-A



SECTION B-B

SLIDING DOOR

FAIRVIEW SYSTEMS LIMITED SPECIFIERS GUIDE 2014 © TECHNICAL SPECIFICATIONS & PROFILE DETAILS SUBJECT TO CHANGE WITHOUT NOTICE

ARCHITECTURAL CUBIC 40 COMPLETE SUITE

DATE 11.06.2018	SCALE 1:2
REF. AC40.1126	