

Tile Deck

GV_TILEDECK_JAC_000	Index
GV_TILEDECK_JAC_010	Plan View
GV_TILEDECK_JAC_020	Section Views
GV_TILEDECK_JAC_030	Isometric Views

Tile Deck on Aluminium Joists and Alumimium Channels

GV_TILEDECK_JAM_000	Index
GV_TILEDECK_JAM_010	Plan Views
GV_TILEDECK_JAM_020	Section Views
GV_TILEDECK_JAM_030	Isometric Views
GV_TILEDECK_JAM_040	Perspective

Tile Deck on Aluminium Channels

GV_TILEDECK_JCH_000	Index
GV_TILEDECK_JCH_010	Plan View
GV_TILEDECK_JCH_020	Section Views
GV_TILEDECK_JCH_030	Isometric Views

Tile Deck on Timber Joists

GV_TILEDECK_JTB_000	Index
GV_TILEDECK_JTB_010	Plan Views
GV_TILEDECK_JTB_020	Section Views
GV_TILEDECK_JTB_030	Isometric Views

Timber Deck on Aluminium Joists

GV_TIMBDECK_JAL_000	Index
GV_TIMBDECK_JAL_010	Plan Views
GV_TIMBDECK_JAL_020	Section Views
GV_TIMBDECK_JAL_030	Isometric Views

Timber Deck on 90x45 Timber Joists

GV_TIMBDECK_JTB_000	Index
GV_TIMBDECK_JTB_010	Plan Views
GV_TIMBDECK_JTB_020	Section Views
GV_TIMBDECK_JTB_030	Isometric Views

Timber Deck on Timber Joists - Compacted Metal Base

GV_TIMBDECK_JTM_000	Index
GV_TIMBDECK_JTM_010	Plan Views
GV_TIMBDECK_JTM_020	Section Views
GV_TIMBDECK_JTM_030	Isometric Views
GV_TIMBDECK_JTM_040	Perspective

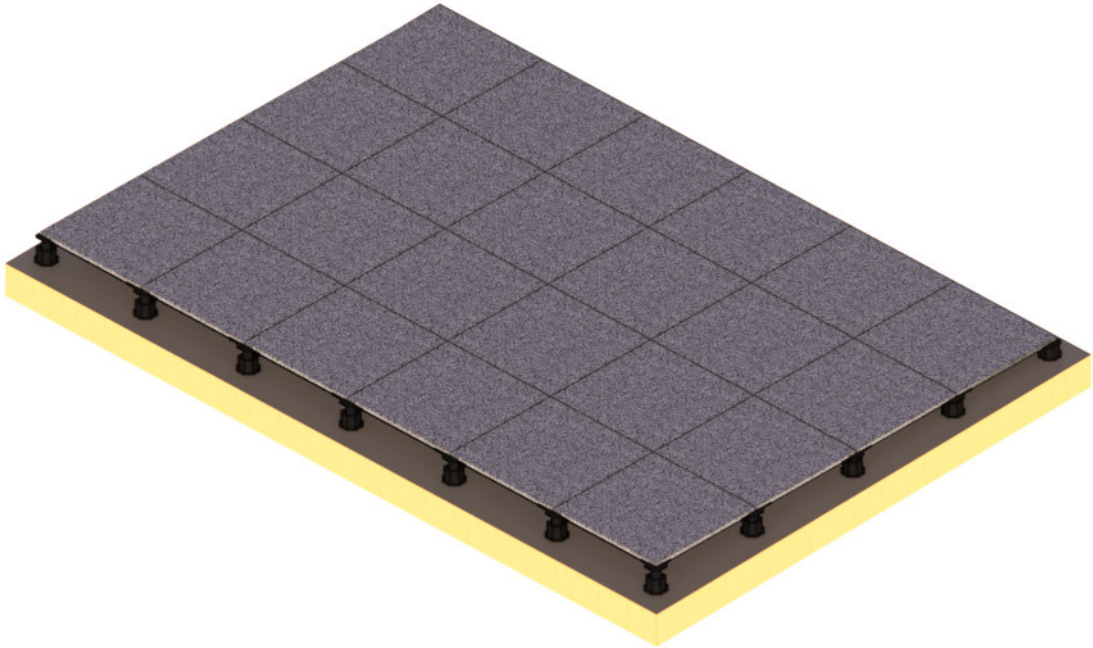
Timber Deck on 90x45mm Timber Joists - Attached to wall - Slab Foundation

GV_TIMBDECK_JMS_000	Index
GV_TIMBDECK_JMS_010	Plan View
GV_TIMBDECK_JMS_012	Joist Hanger - JH90
GV_TIMBDECK_JMS_014	Connection - JV88
GV_TIMBDECK_JMS_016	GlassVice Deck Deck Layout
GV_TIMBDECK_JMS_018	Framing Layout
GV_TIMBDECK_JMS_020	Deck Floor Framing
GV_TIMBDECK_JMS_030	Section Views
GV_TIMBDECK_JMS_040	Isometric Views
GV_TIMBDECK_JMS_050	House Connection Detail
GV_TIMBDECK_JMS_055	House Connection Details

Timber Deck on 190x45mm Timber - Attached to wall - Timber Subframe

GV_TIMBDECK_JMT_000	Index
GV_TIMBDECK_JMT_010	Plan View
GV_TIMBDECK_JMT_012	Joist Hanger - JH90
GV_TIMBDECK_JMT_014	Connection - JV88
GV_TIMBDECK_JMT_016	GlassVice Deck Deck Layout
GV_TIMBDECK_JMT_018	Framing Layout
GV_TIMBDECK_JMT_020	Deck Floor Framing
GV_TIMBDECK_JMT_030	Section Views
GV_TIMBDECK_JMT_040	Isometric Views
GV_TIMBDECK_JMT_050	House Connection Detail
GV_TIMBDECK_JMT_055	Connection Details

GV_TILEDECK_JAC_010	Plan View	Sep 2021
GV_TILEDECK_JAC_020	Section Views	Sep 2021
GV_TILEDECK_JAC_030	Isometric Views	Sep 2021



© 2021. The copyright of this document is the property of Glass Vice Limited and shall not be reproduced, copied, loaned or disposed of directly, or indirectly, nor used for any purpose other than that for which it is specifically furnished without prior consent.

gv_tiledeck_jack.rvt
All dimensions in millimetres



Glass Vice Decks

Tile Deck on Glass Vice Anchorjak™

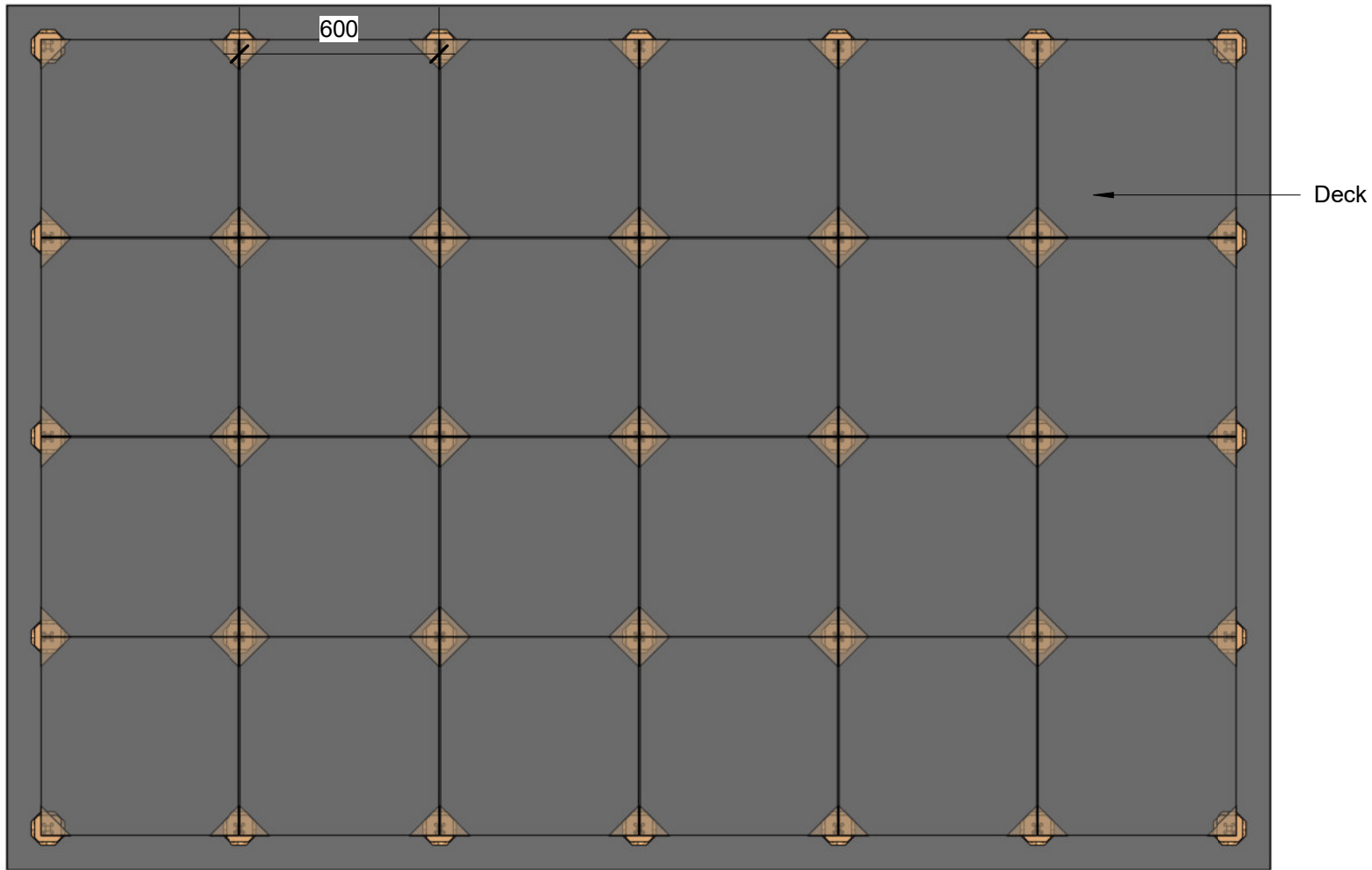
Index

Date: Sep 2021
Scale: 1 : 1

www.glassvice.com
Phone +64 9 414 6565
info@glassvice.com

Quick Code:

GV_TILEDECK_JAC_000



© 2021. The copyright of this document is the property of Glass Vice Limited and shall not be reproduced, copied, loaned or disposed of directly, or indirectly, nor used for any purpose other than that for which it is specifically furnished without prior consent.

gv_tiledeck_jack.rvt
All dimensions in millimetres



Glass Vice Decks

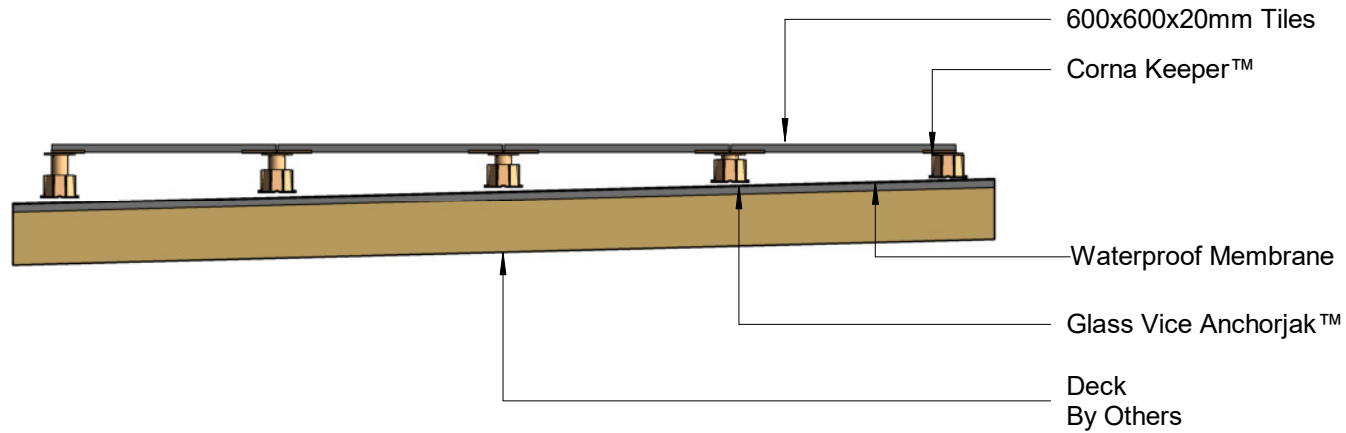
Tile Deck on Glass Vice Anchorjak™
Plan View

Date: Sep 2021
Scale: 1 : 20

www.glassvice.com
Phone +64 9 414 6565
info@glassvice.com

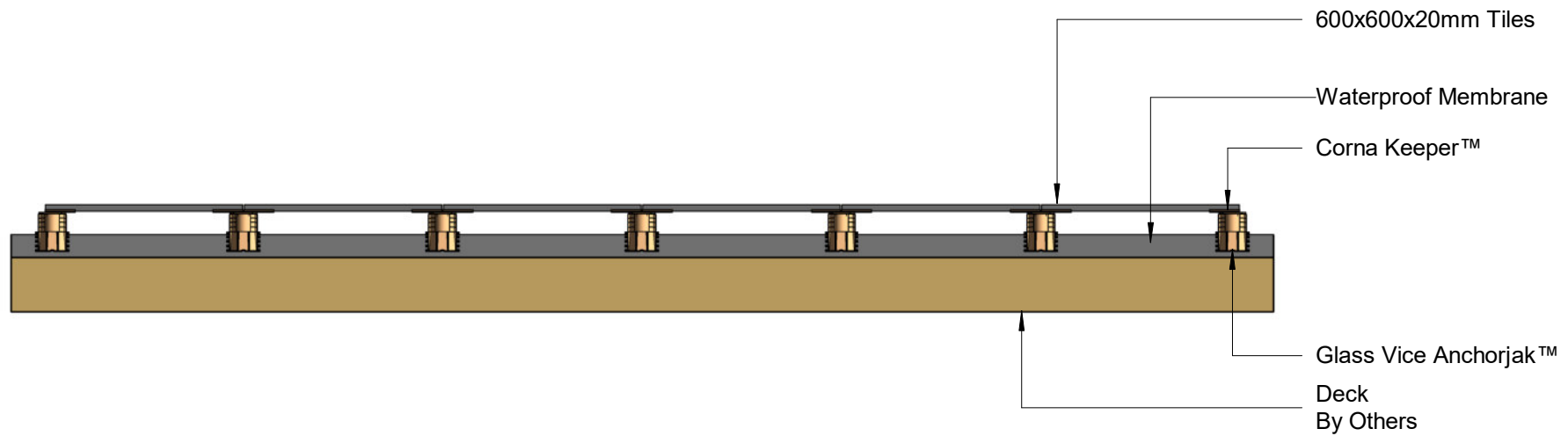
Quick Code:

GV_TILEDECK_JAC_010



Typical Section Across

1 : 20



Typical Section Along

1 : 20

© 2021. The copyright of this document is the property of Glass Vice Limited and shall not be reproduced, copied, loaned or disposed of directly, or indirectly, nor used for any purpose other than that for which it is specifically furnished without prior consent.

gv_tiledeck_jack.rvt
All dimensions in millimetres



Glass Vice Decks

Tile Deck on Glass Vice Anchorjak™

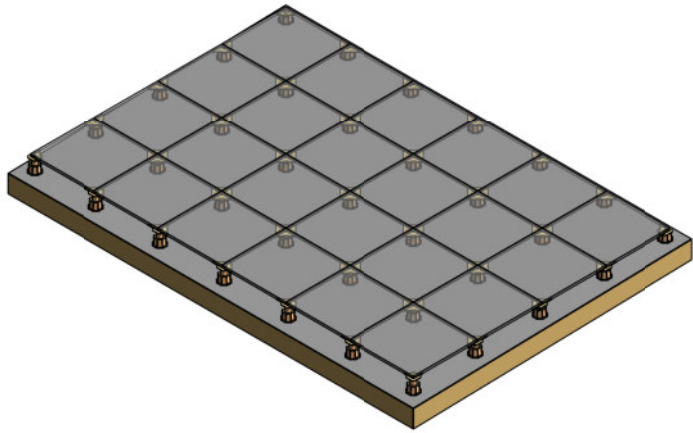
Section Views

Date: Sep 2021
Scale: 1 : 20

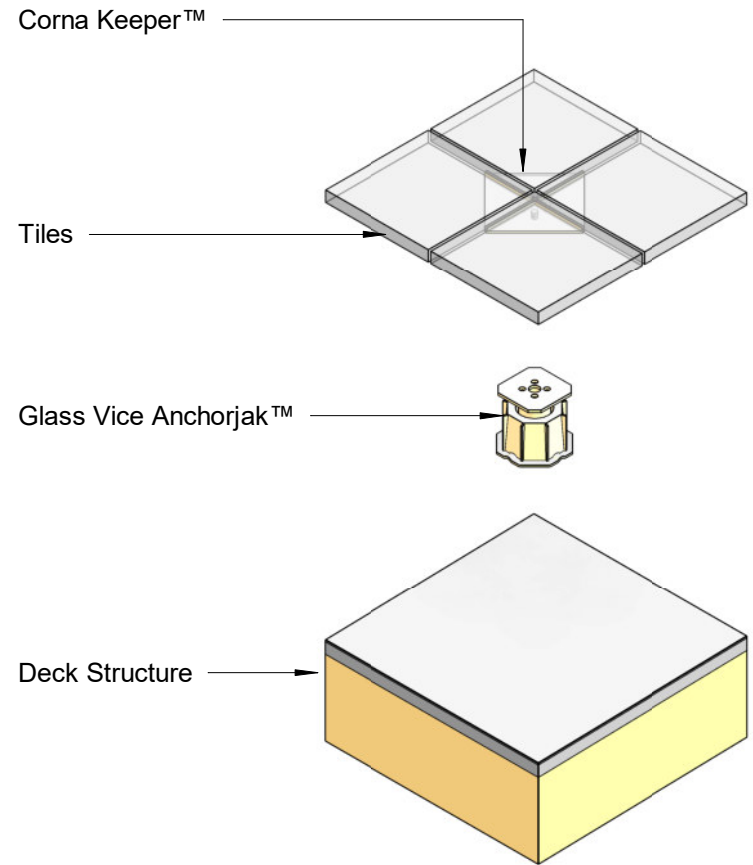
www.glassvice.com
Phone +64 9 414 6565
info@glassvice.com

Quick Code:

GV_TILEDECK_JAC_020



Isometric View



Isometric Exploded View Detail

© 2021. The copyright of this document is the property of Glass Vice Limited and shall not be reproduced, copied, loaned or disposed of directly, or indirectly, nor used for any purpose other than that for which it is specifically furnished without prior consent.

gv_tiledeck_jack.rvt
All dimensions in millimetres



Glass Vice Decks

Tile Deck on Glass Vice Anchorjak™

Isometric Views

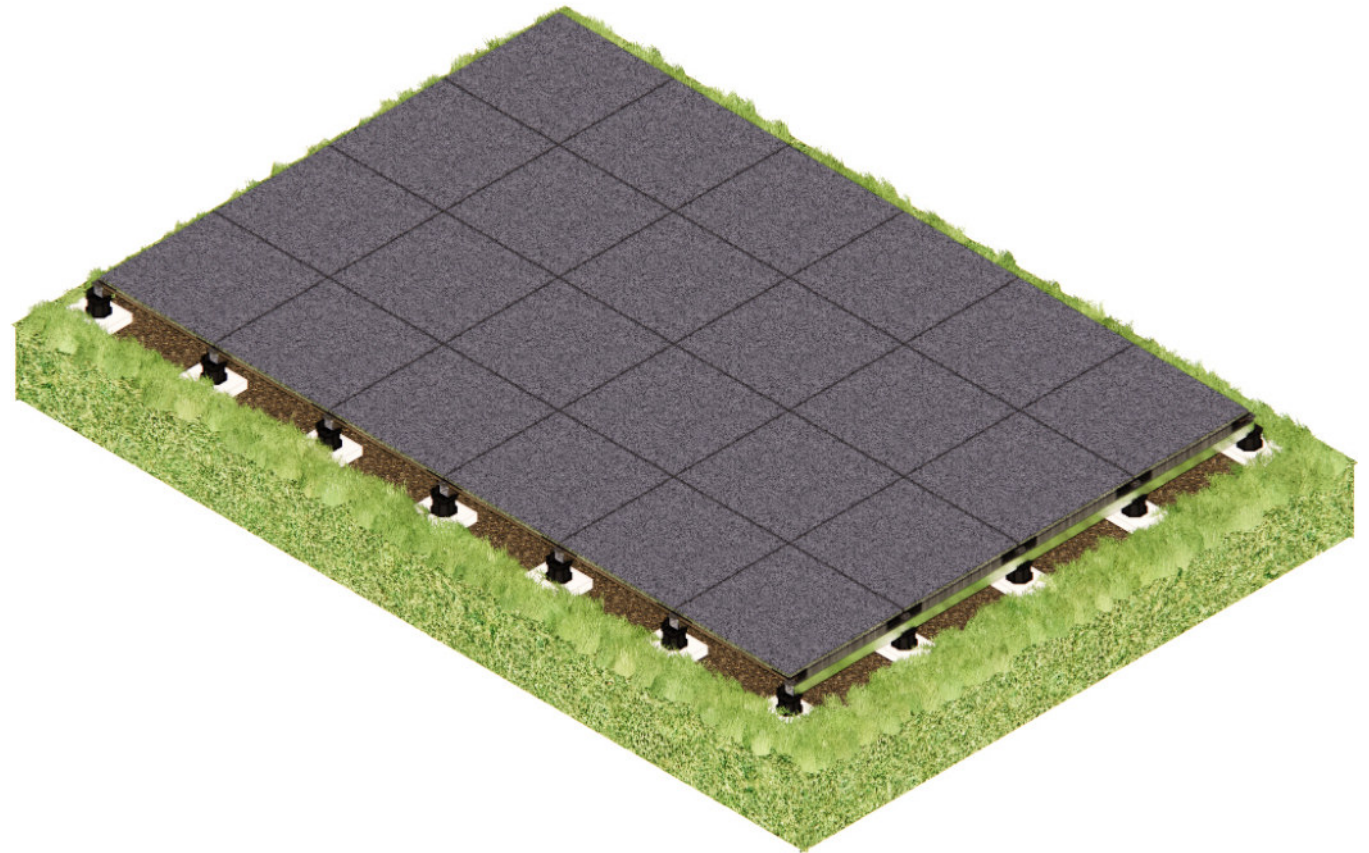
Date: Sep 2021
Scale:

www.glassvice.com
Phone +64 9 414 6565
info@glassvice.com

Quick Code:

GV_TILEDECK_JAC_030

GV_TILEDECK_JAM_010	Plan Views	Sep 2021
GV_TILEDECK_JAM_020	Section Views	Sep 2021
GV_TILEDECK_JAM_030	Isometric Views	Sep 2021
GV_TILEDECK_JAM_040	Perspective	Sep 2021



© 2021. The copyright of this document is the property of Glass Vice Limited and shall not be reproduced, copied, loaned or disposed of directly, or indirectly, nor used for any purpose other than that for which it is specifically furnished without prior consent.

gv_tiledeck_jack_alu_metal.rvt
All dimensions in millimetres



Glass Vice Decks

Tile Deck Aluminium Joists and Aluminium Channels on Glass Vice Anchorjak™

Index

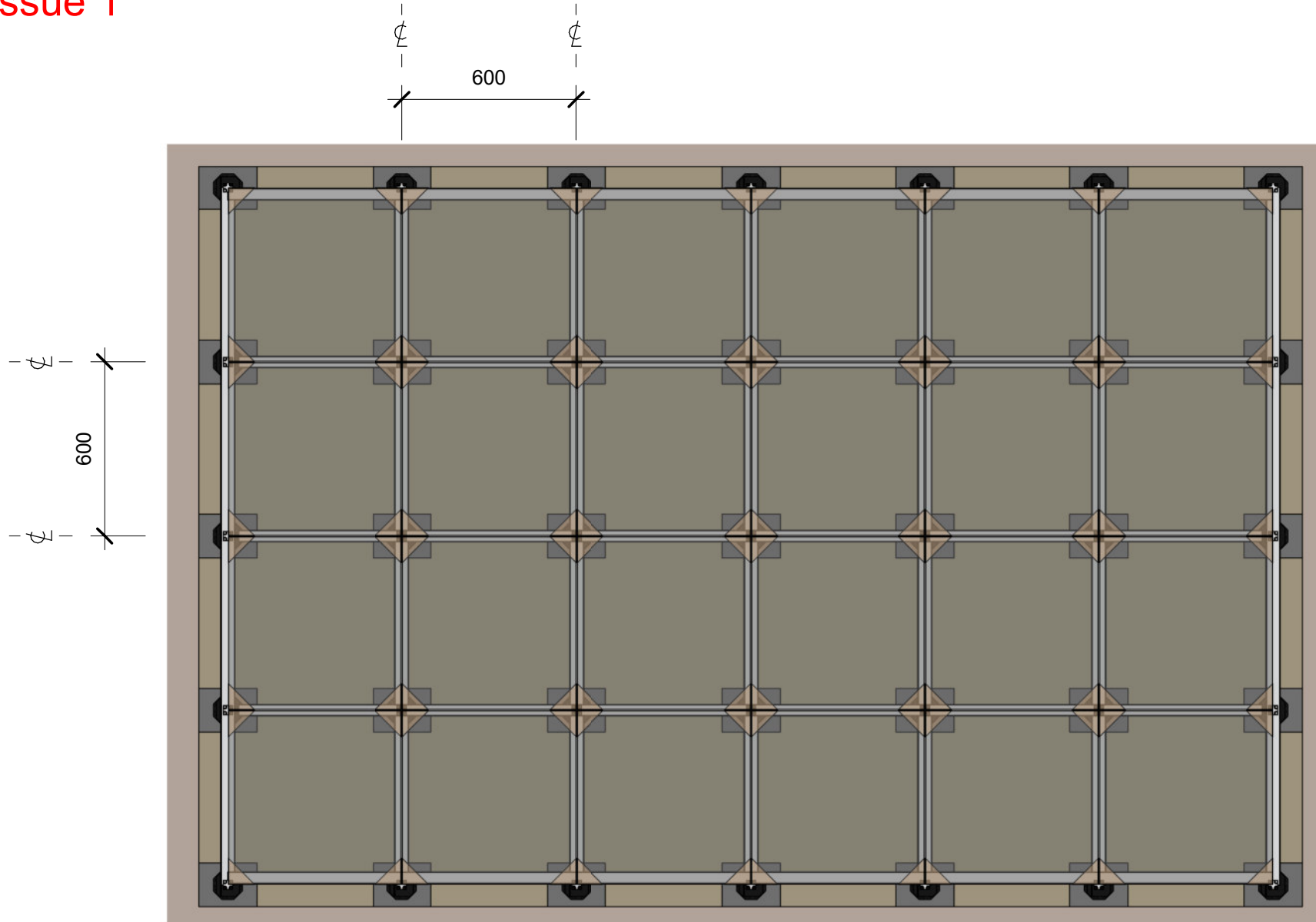
Date: Sep 2021
Scale: 1 : 1

www.glassvice.com
Phone +64 9 414 6565
info@glassvice.com

Quick Code:

GV_TILEDECK_JAM_000

Issue 1



© 2021. The copyright of this document is the property of Glass Vice Limited and shall not be reproduced, copied, loaned or disposed of directly, or indirectly, nor used for any purpose other than that for which it is specifically furnished without prior consent.

gv_tiledeck_jack_alu_metal.rvt
All dimensions in millimetres



Glass Vice Decks

Tile Deck Aluminium Joists and Aluminium Channels on Glass Vice Anchorjak™

Plan Views

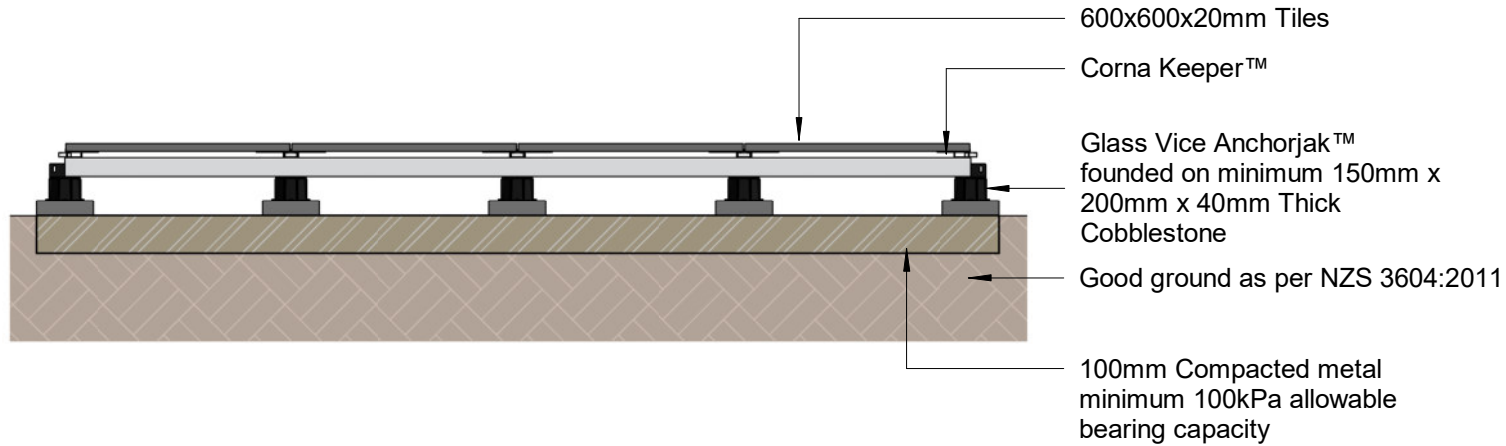
Date: Sep 2021
Scale: 1 : 20

www.glassvice.com
Phone +64 9 414 6565
info@glassvice.com

Plot Date: 09 Sep 2021 01:49

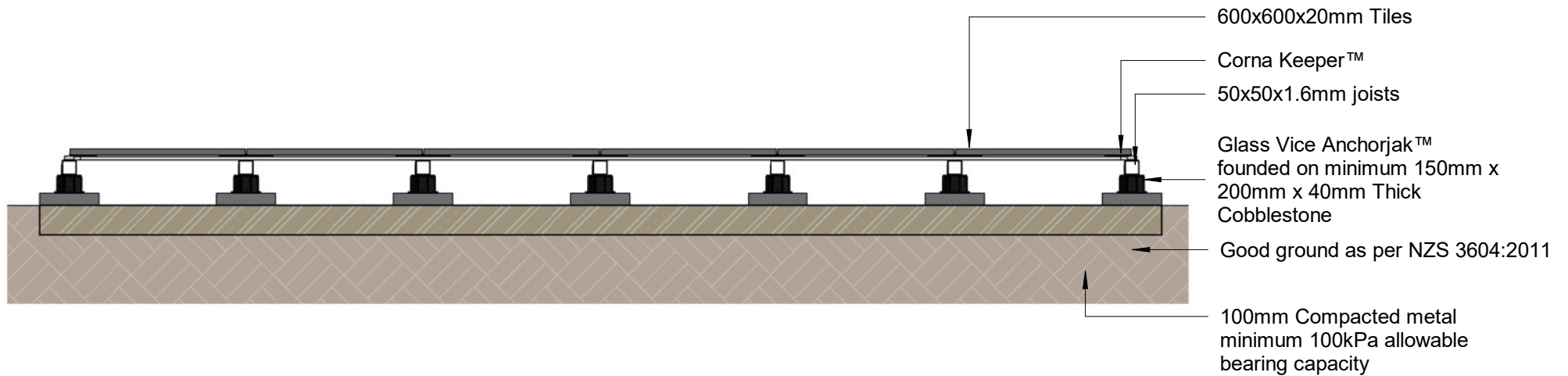
Quick Code:

GV_TILEDECK_JAM_010



Typical Section Across

1 : 20



Typical Section Along

1 : 20

© 2021. The copyright of this document is the property of Glass Vice Limited and shall not be reproduced, copied, loaned or disposed of directly, or indirectly, nor used for any purpose other than that for which it is specifically furnished without prior consent.

gv_tiledeck_jack_alu_metal.rvt
All dimensions in millimetres



Glass Vice Decks

Tile Deck on Aluminium Joists and Alumimium Channels on Glass Vice Anchorjak™

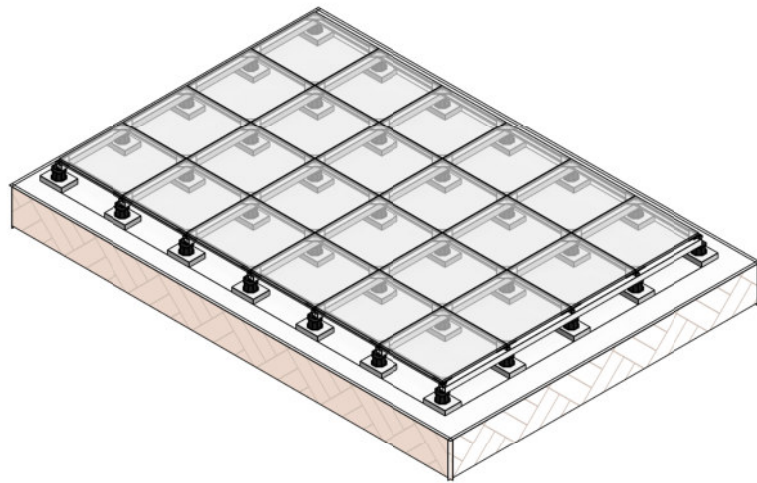
Section Views

Date: Sep 2021
Scale: 1 : 20

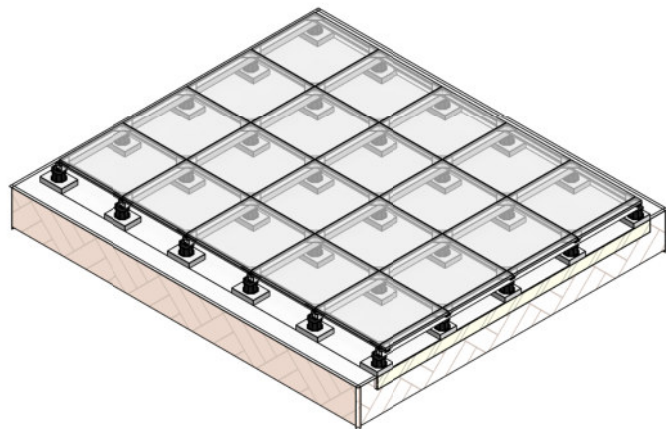
www.glassvice.com
Phone +64 9 414 6565
info@glassvice.com

Quick Code:

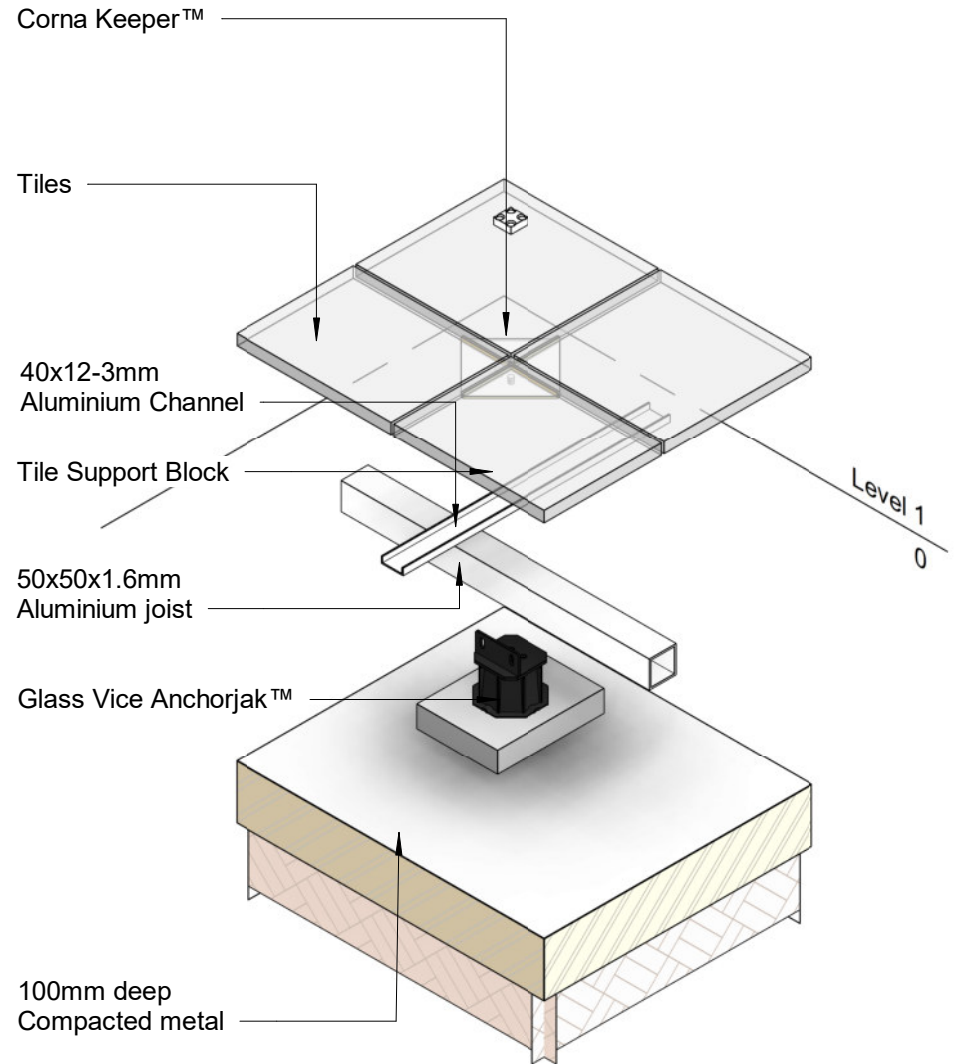
GV_TILEDECK_JAM_020



Isometric View



Isometric View Sectioned



Isometric Exploded View

© 2021. The copyright of this document is the property of Glass Vice Limited and shall not be reproduced, copied, loaned or disposed of directly, or indirectly, nor used for any purpose other than that for which it is specifically furnished without prior consent.

gv_tiledeck_jack_alu_metal.rvt
All dimensions in millimetres



Glass Vice Decks

Tile Deck on Aluminium Joists and Aluminium Channels on Glass Vice Anchorjak™

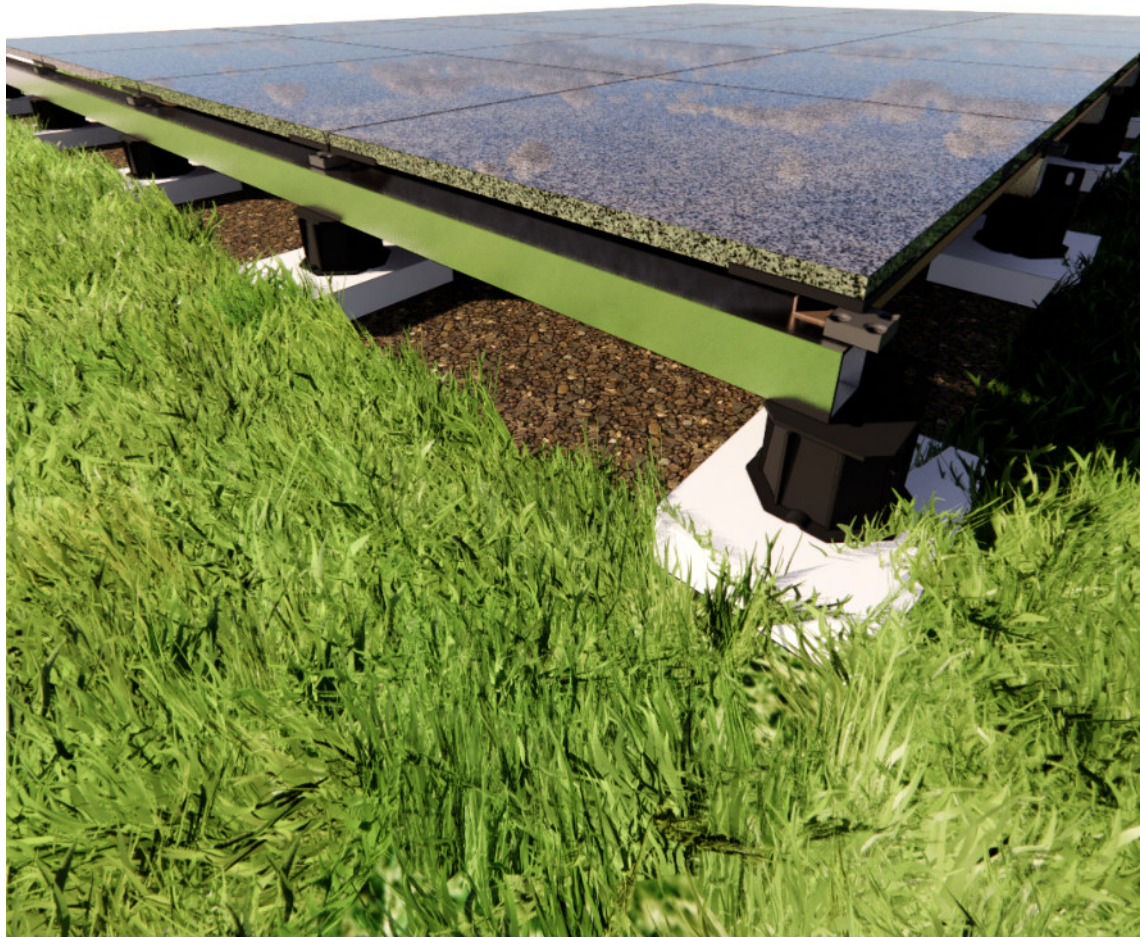
Isometric Views

Date: Sep 2021
Scale:

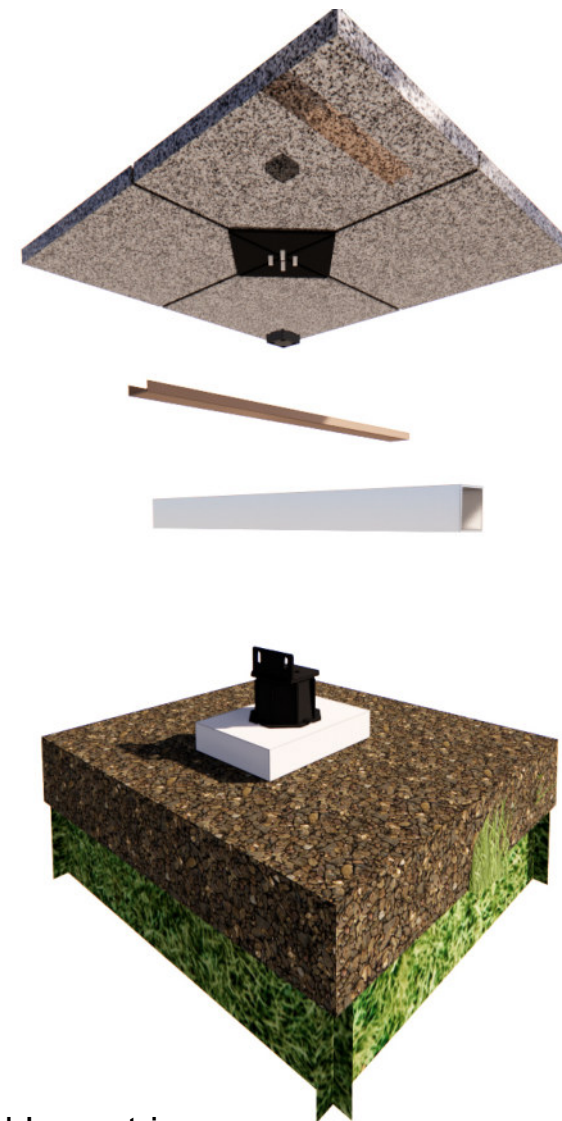
www.glassvice.com
Phone +64 9 414 6565
info@glassvice.com

Quick Code:

GV_TILEDECK_JAM_030



Enscape 3D view 3
1:1



Exploded Isometric
1:1

© 2021. The copyright of this document is the property of Glass Vice Limited and shall not be reproduced, copied, loaned or disposed of directly, or indirectly, nor used for any purpose other than that for which it is specifically furnished without prior consent.

gv_tiledeck_jack_alu_metal.rvt
All dimensions in millimetres



Glass Vice Decks

Tile Deck on Aluminium Joists and Alumimium Channels on Glass Vice Anchorjak™

Perspective

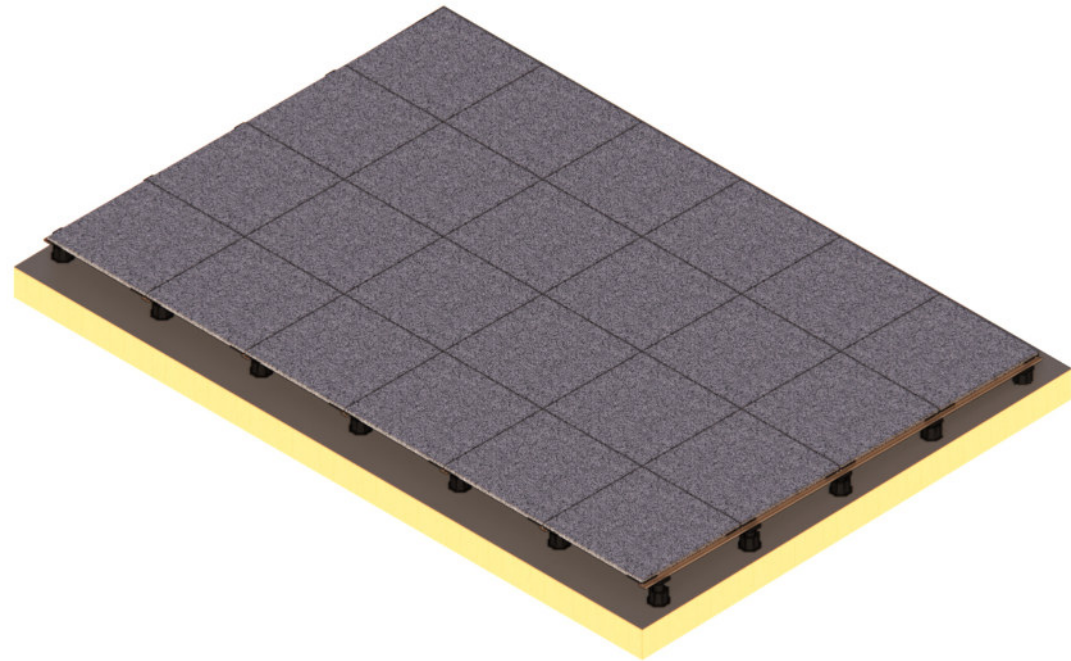
Date: Sep 2021
Scale: 1 : 1

www.glassvice.com
Phone +64 9 414 6565
info@glassvice.com

Quick Code:

GV_TILEDECK_JAM_040

GV_TILEDECK_JCH_010	Plan View	Sep 2021
GV_TILEDECK_JCH_020	Section Views	Sep 2021
GV_TILEDECK_JCH_030	Isometric Views	Sep 2021



© 2021. The copyright of this document is the property of Glass Vice Limited and shall not be reproduced, copied, loaned or disposed of directly, or indirectly, nor used for any purpose other than that for which it is specifically furnished without prior consent.

gv_tiledeck_jack_chan.rvt
All dimensions in millimetres



Glass Vice Decks

Tile Deck on Aluminium channels on Glass Vice Anchorjak™

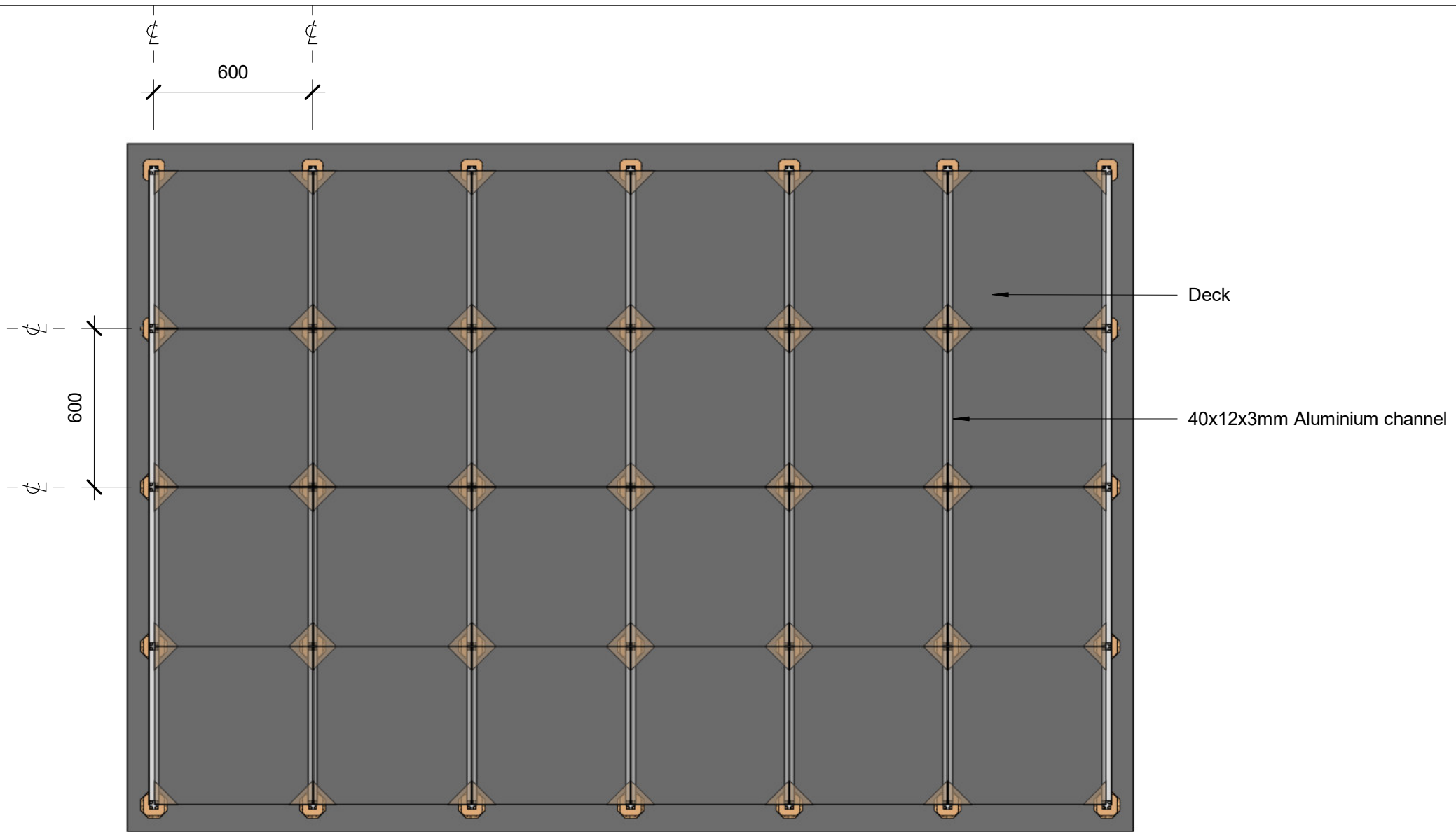
Index

Date: Sep 2021
Scale: 1 : 1

Quick Code:

www.glassvice.com
Phone +64 9 414 6565
info@glassvice.com

GV_TILEDECK_JCH_000



© 2021. The copyright of this document is the property of Glass Vice Limited and shall not be reproduced, copied, loaned or disposed of directly, or indirectly, nor used for any purpose other than that for which it is specifically furnished without prior consent.

gv_tiledeck_jack_chan.rvt
All dimensions in millimetres



Glass Vice Decks

Tile Deck on Aluminium channels on Glass Vice Anchorjak™

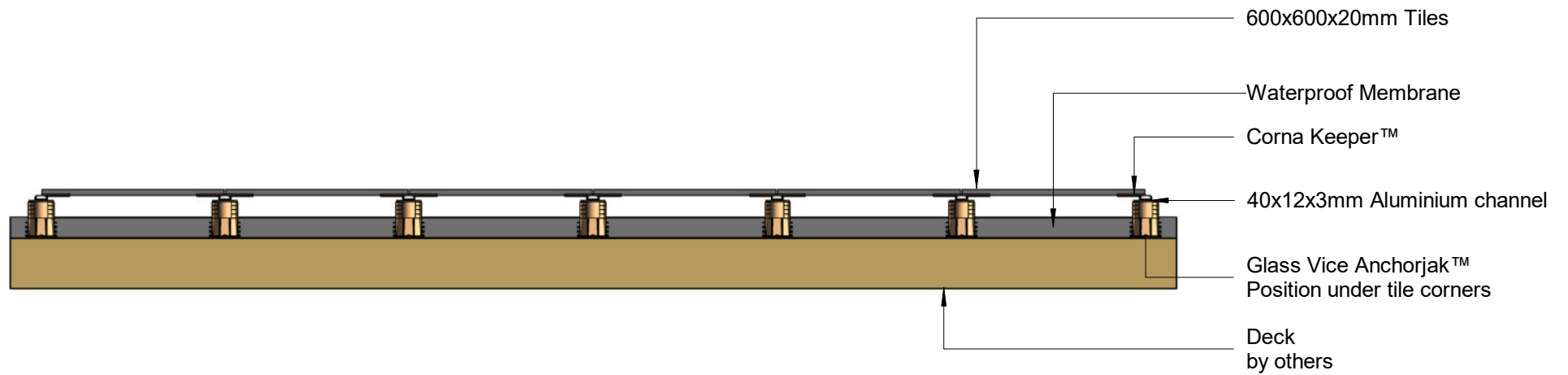
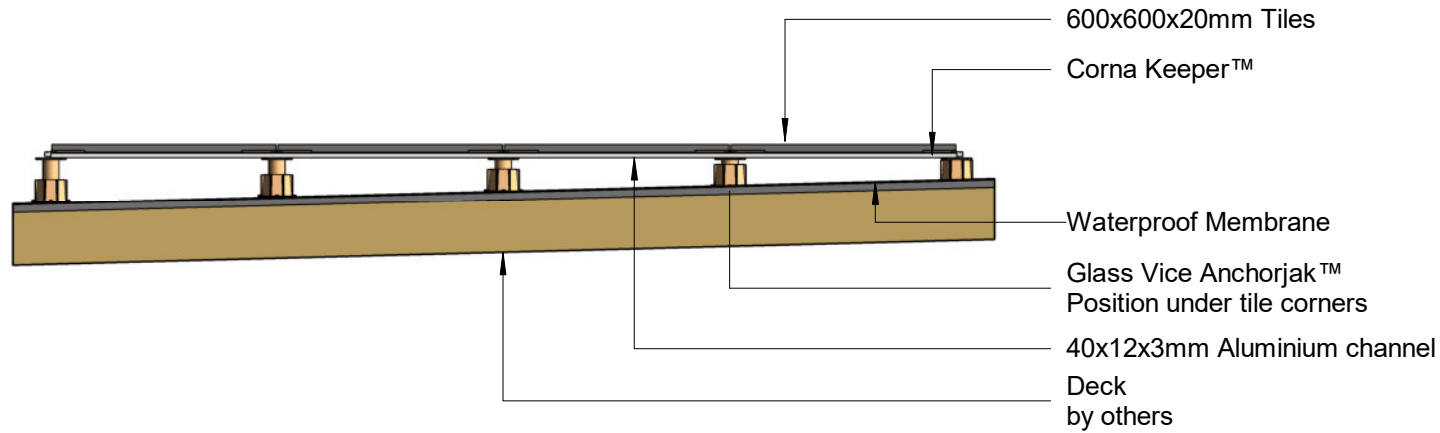
Plan View

Date: Sep 2021
Scale: 1 : 20

www.glassvice.com
Phone +64 9 414 6565
info@glassvice.com

Quick Code:

GV_TILEDECK_JCH_010



© 2021. The copyright of this document is the property of Glass Vice Limited and shall not be reproduced, copied, loaned or disposed of directly, or indirectly, nor used for any purpose other than that for which it is specifically furnished without prior consent.

gv_tiledeck_jack_chan.rvt
All dimensions in millimetres



Glass Vice Decks

Tile Deck on Aluminium channels on Glass Vice Anchorjak™

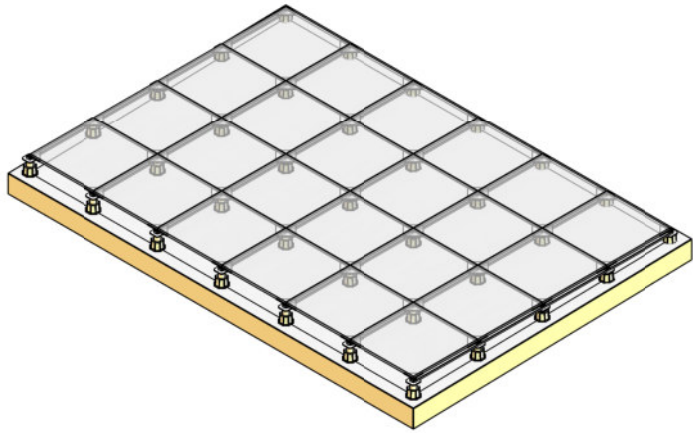
Section Views

Date: Sep 2021
Scale: 1 : 20

www.glassvice.com
Phone +64 9 414 6565
info@glassvice.com

Quick Code:

GV_TILEDECK_JCH_020



Corna Keeper™

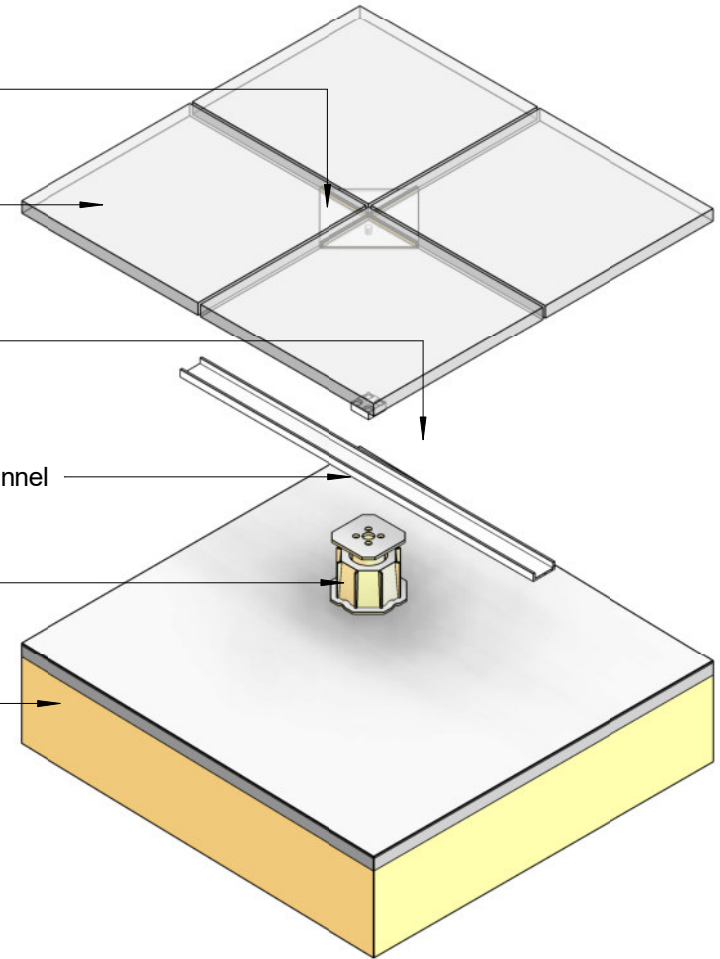
Tiles

Tile Support Block

40x12-3mm Aluminium Channel

Glass Vice Anchorjak™

Deck Structure



© 2021. The copyright of this document is the property of Glass Vice Limited and shall not be reproduced, copied, loaned or disposed of directly, or indirectly, nor used for any purpose other than that for which it is specifically furnished without prior consent.

gv_tiledeck_jack_chan.rvt
All dimensions in millimetres



Glass Vice Decks

Tile Deck on Aluminium channels on Glass Vice Anchorjak™

Isometric Views

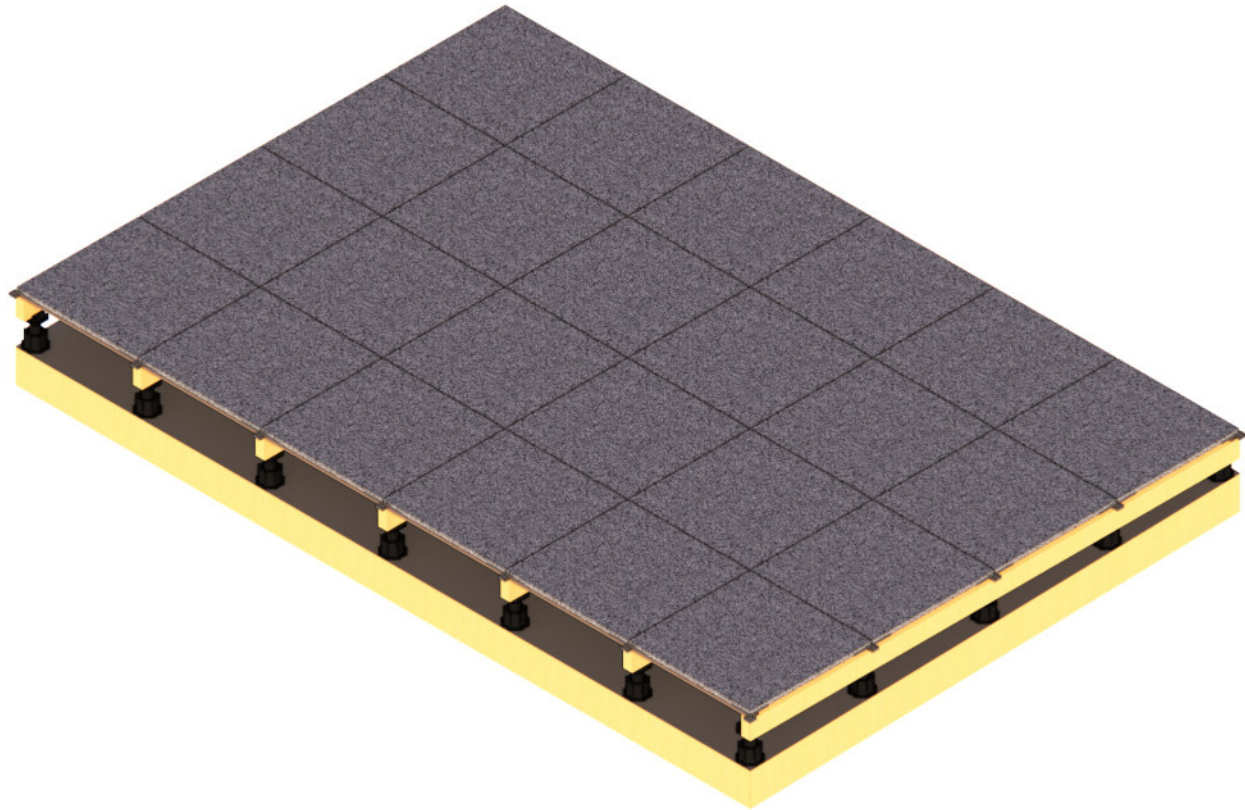
Date: Sep 2021
Scale:

Quick Code:

www.glassvice.com
Phone +64 9 414 6565
info@glassvice.com

GV_TILEDECK_JCH_030

GV_TILEDECK_JTB_010	Plan Views	Oct 2021
GV_TILEDECK_JTB_020	Section Views	Oct 2021
GV_TILEDECK_JTB_030	Isometric Views	Oct 2021



© 2021. The copyright of this document is the property of Glass Vice Limited and shall not be reproduced, copied, loaned or disposed of directly, or indirectly, nor used for any purpose other than that for which it is specifically furnished without prior consent.

gv_tiledeck_jack_timb.rvt
All dimensions in millimetres



Glass Vice Decks

Tile Deck on Timber Joists on Glass Vice Anchorjak™

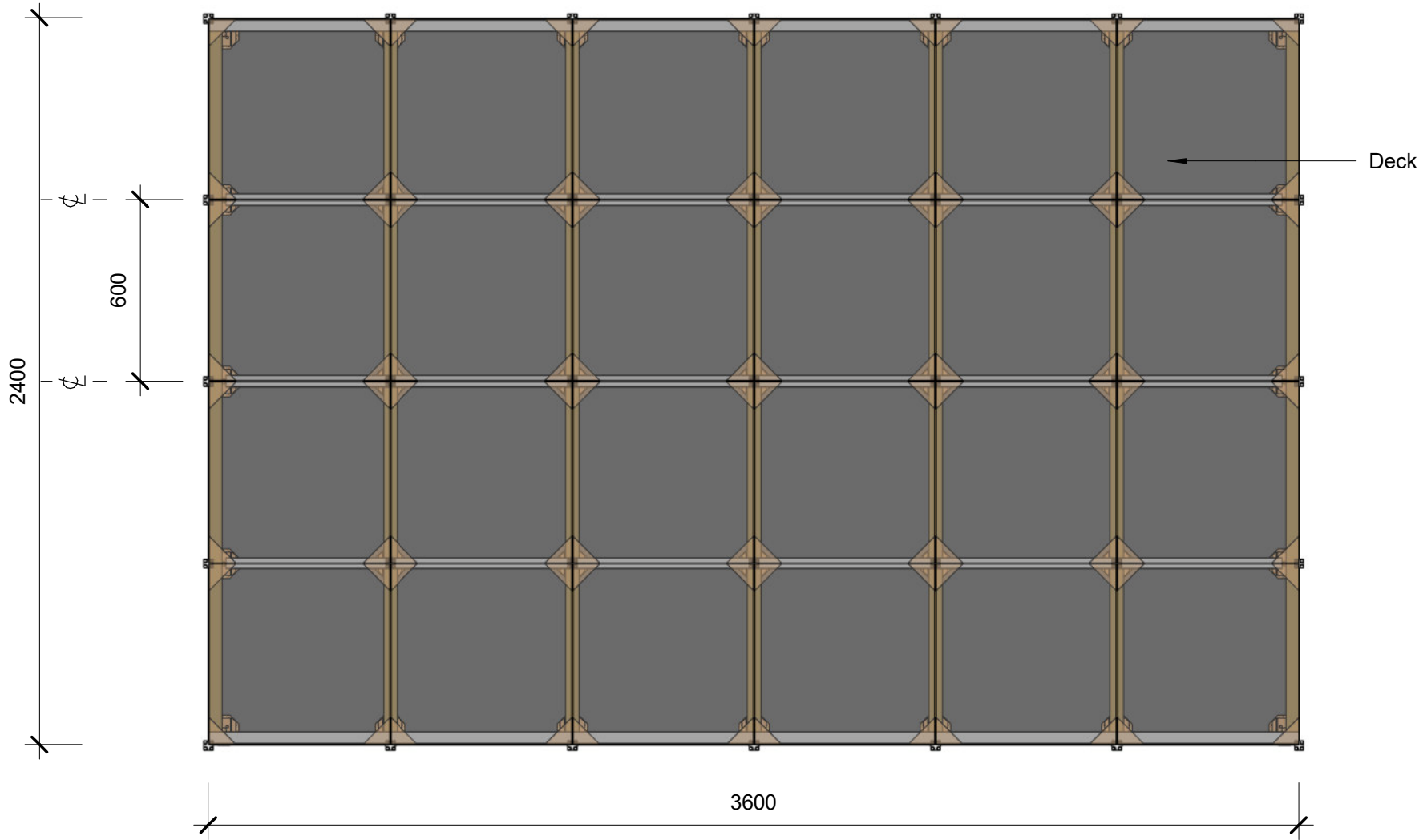
Index

Date: Oct 2021
Scale: 1 : 1

www.glassvice.com
Phone +64 9 414 6565
info@glassvice.com

Quick Code:

GV_TILEDECK_JTB_000



© 2021. The copyright of this document is the property of Glass Vice Limited and shall not be reproduced, copied, loaned or disposed of directly, or indirectly, nor used for any purpose other than that for which it is specifically furnished without prior consent.

gv_tiledeck_jack_timb.rvt
All dimensions in millimetres



Glass Vice Decks

Tile Deck on Timber Joists on Glass Vice Anchorjak™

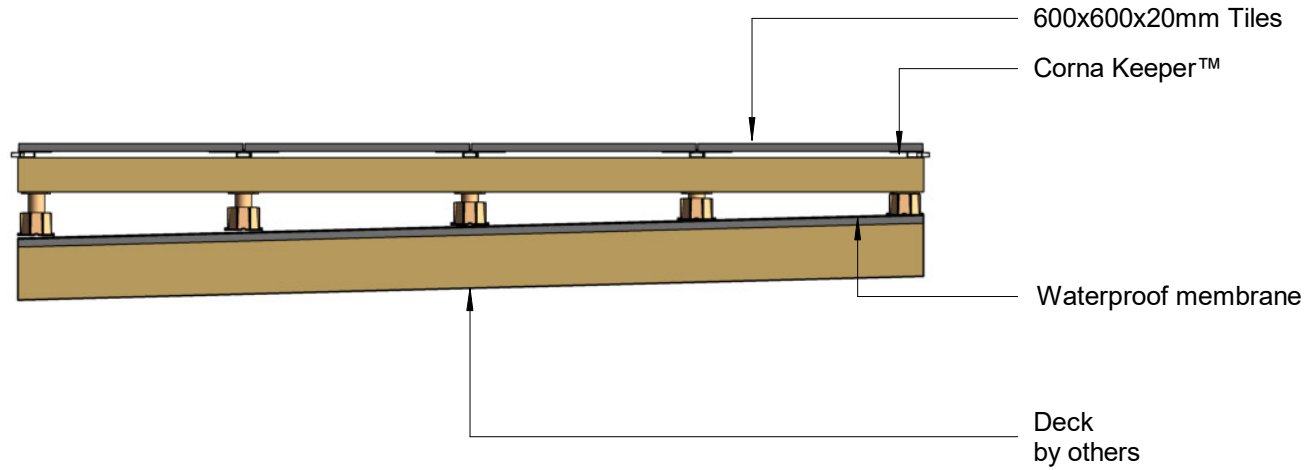
Plan Views

Date: Oct 2021
Scale: 1 : 20

www.glassvice.com
Phone +64 9 414 6565
info@glassvice.com

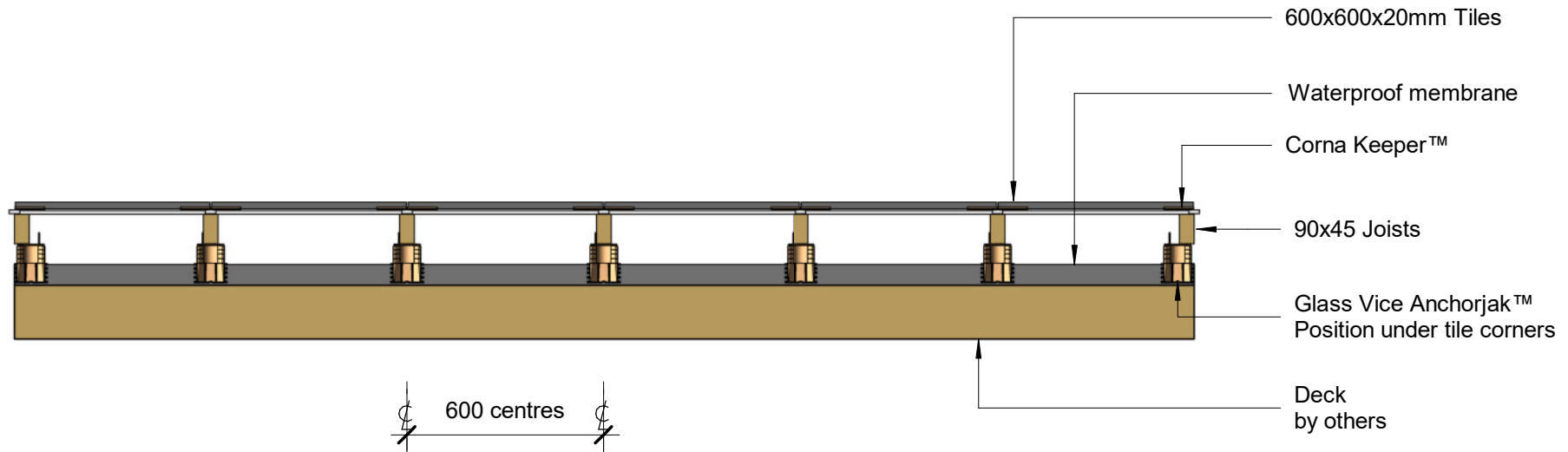
Quick Code:

GV_TILEDECK_JTB_010



Typical Section Across

1 : 20



Typical Section Along

1 : 20

© 2021. The copyright of this document is the property of Glass Vice Limited and shall not be reproduced, copied, loaned or disposed of directly, or indirectly, nor used for any purpose other than that for which it is specifically furnished without prior consent.

gv_tiledeck_jack_timb.rvt
All dimensions in millimetres



Glass Vice Decks

Tile Deck on Timber Joists on Glass Vice Anchorjak™

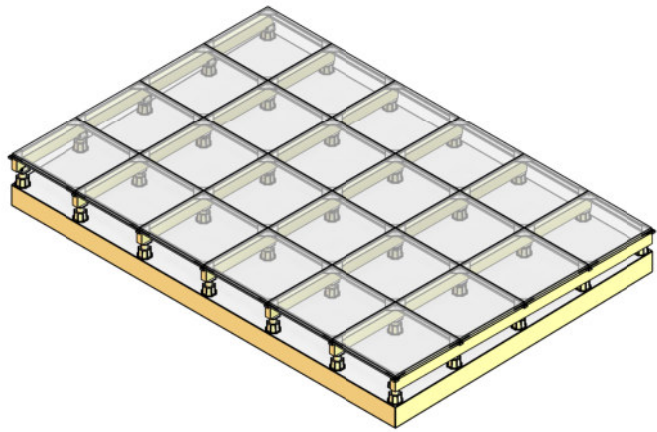
Section Views

Date: Oct 2021
Scale: 1 : 20

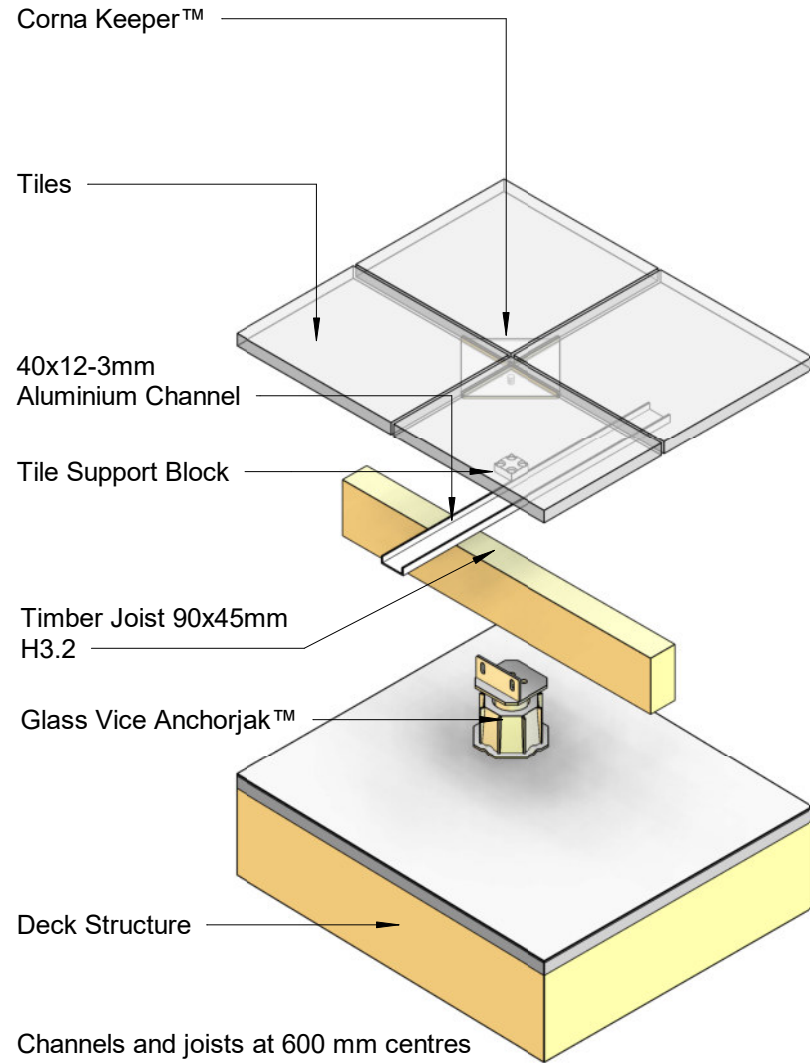
www.glassvice.com
Phone +64 9 414 6565
info@glassvice.com

Quick Code:

GV_TILEDECK_JTB_020



Isometric View



Isometric Exploded View

© 2021. The copyright of this document is the property of Glass Vice Limited and shall not be reproduced, copied, loaned or disposed of directly, or indirectly, nor used for any purpose other than that for which it is specifically furnished without prior consent.

gv_tiledeck_jack_timb.rvt
All dimensions in millimetres



Glass Vice Decks

Tile Deck on Timber Joists on Glass Vice Anchorjak™

Isometric Views

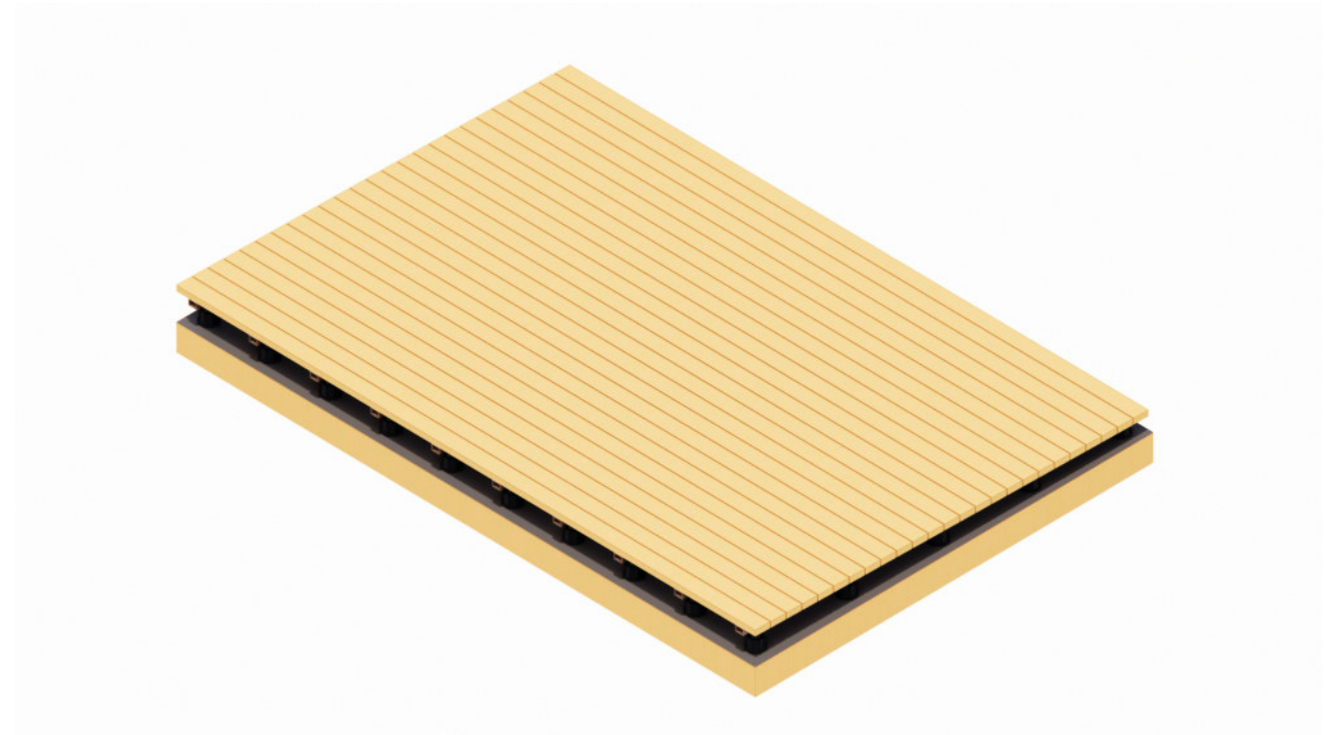
Date: Oct 2021
Scale:

www.glassvice.com
Phone +64 9 414 6565
info@glassvice.com

Quick Code:

GV_TILEDECK_JTB_030

GV_TIMBDECK_JAL_000	Index	Oct 2021
GV_TIMBDECK_JAL_010	Plan Views	Oct 2021
GV_TIMBDECK_JAL_020	Section Views	Oct 2021
GV_TIMBDECK_JAL_030	Isometric Views	Oct 2021



© 2021. The copyright of this document is the property of Glass Vice Limited and shall not be reproduced, copied, loaned or disposed of directly, or indirectly, nor used for any purpose other than that for which it is specifically furnished without prior consent.

gv_timbdeck_jack_alu.rvt
All dimensions in millimetres



Glass Vice Decks

Timber Deck on Aluminium joists on Glass Vice Anchorjak™

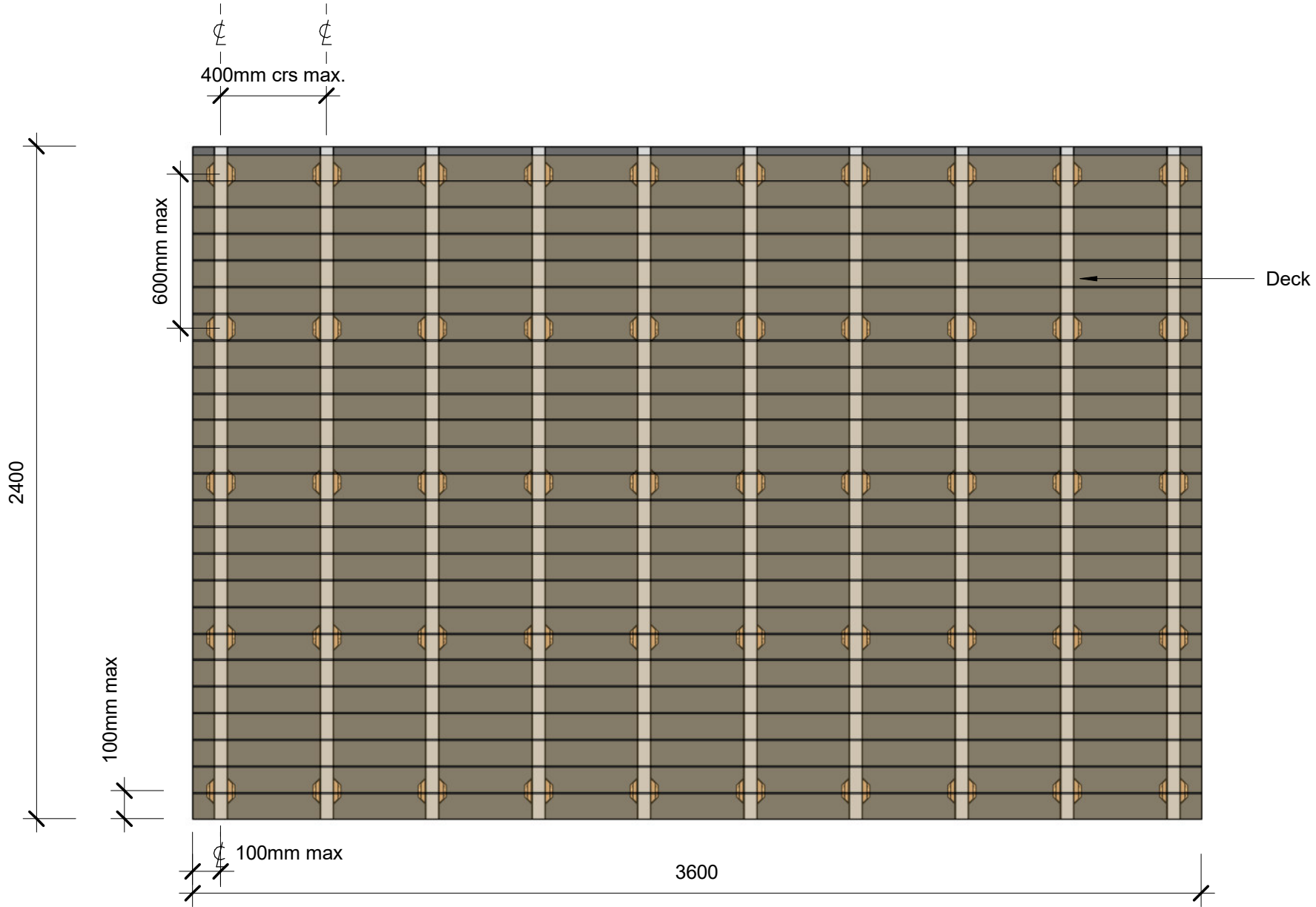
Index

Date: Oct 2021
Scale: 1 : 1

Quick Code:

www.glassvice.com
Phone +64 9 414 6565
info@glassvice.com

GV_TIMBDECK_JAL_000



© 2021. The copyright of this document is the property of Glass Vice Limited and shall not be reproduced, copied, loaned or disposed of directly, or indirectly, nor used for any purpose other than that for which it is specifically furnished without prior consent.

gv_timbdeck_jack_alu.rvt
All dimensions in millimetres



Glass Vice Decks

Timber Deck on Aluminium joists on Glass Vice Anchorjak™

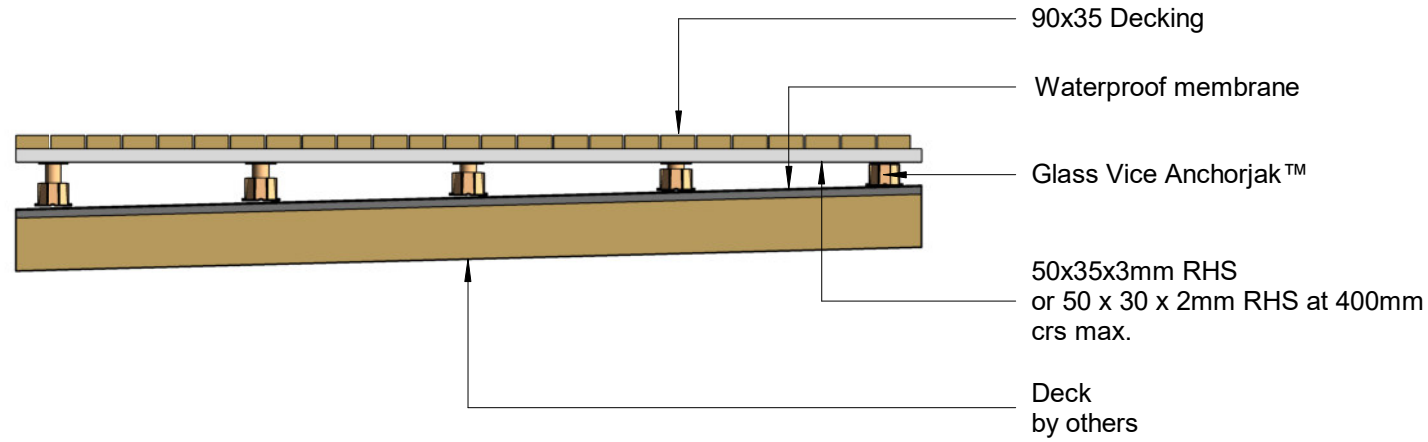
Plan Views

Date: Oct 2021
Scale: 1 : 20

www.glassvice.com
Phone +64 9 414 6565
info@glassvice.com

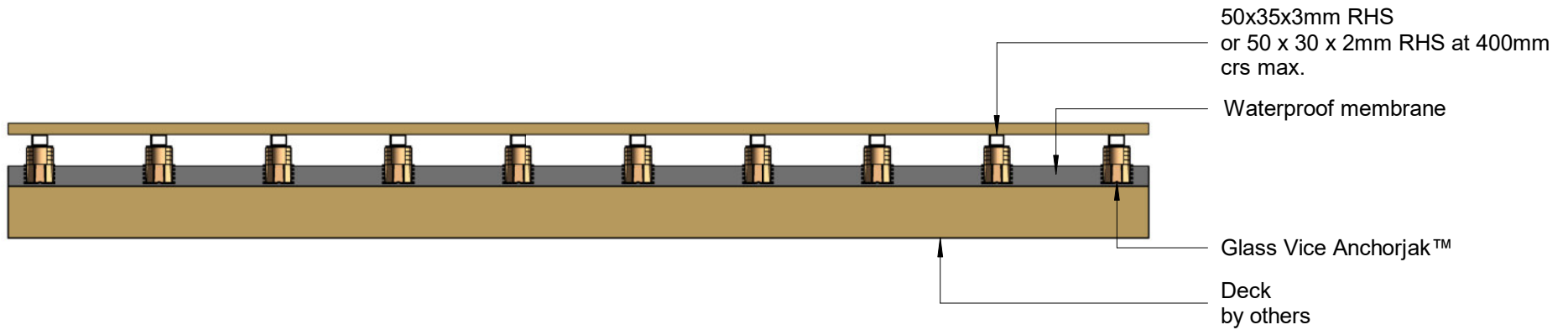
Quick Code:

GV_TIMBDECK_JAL_010



Typical Section Across

1 : 20



Typical Section Along

1 : 20

© 2021. The copyright of this document is the property of Glass Vice Limited and shall not be reproduced, copied, loaned or disposed of directly, or indirectly, nor used for any purpose other than that for which it is specifically furnished without prior consent.

gv_timbdeck_jack_alu.rvt
All dimensions in millimetres



Glass Vice Decks

Timber Deck on Aluminium joists on Glass Vice Anchorjak™

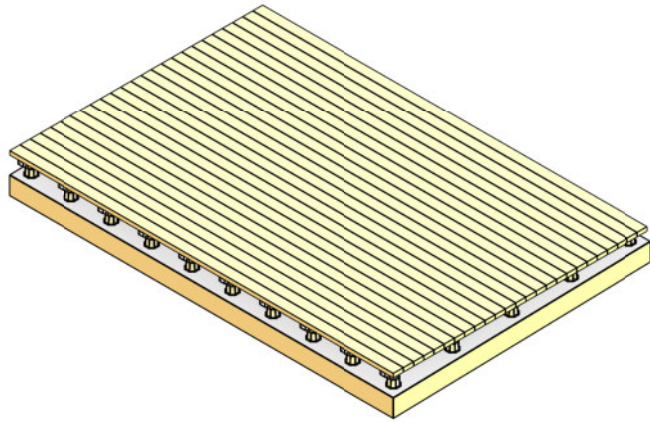
Section Views

Date: Oct 2021
Scale: 1 : 20

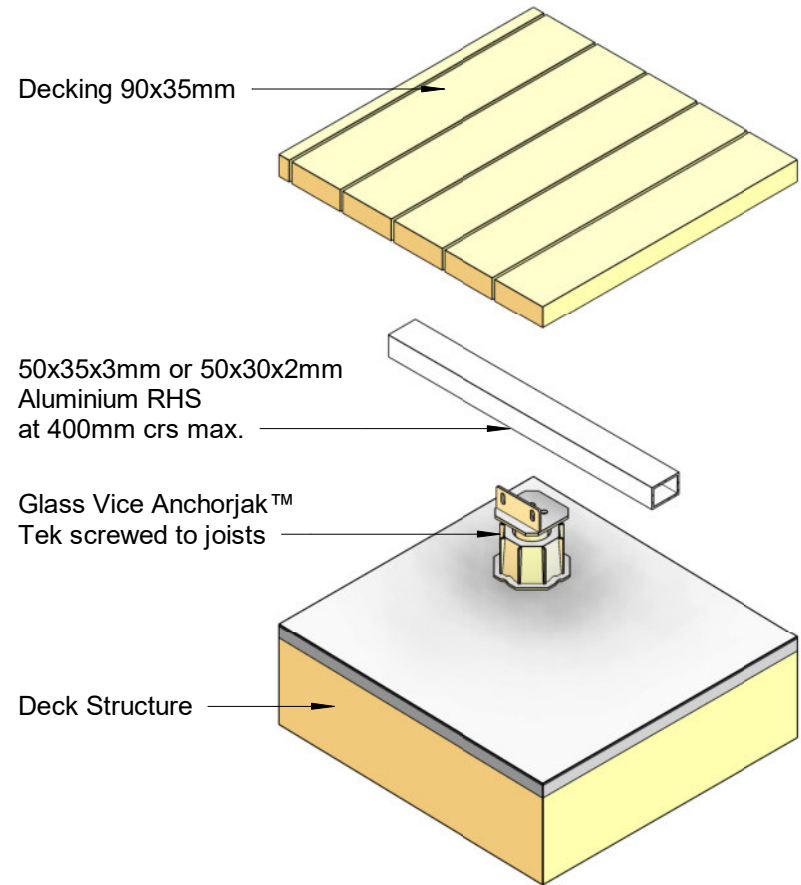
www.glassvice.com
Phone +64 9 414 6565
info@glassvice.com

Quick Code:

GV_TIMBDECK_JAL_020



Isometric View



Isometric Exploded View

© 2021. The copyright of this document is the property of Glass Vice Limited and shall not be reproduced, copied, loaned or disposed of directly, or indirectly, nor used for any purpose other than that for which it is specifically furnished without prior consent.

gv_timbdeck_jack_alu.rvt
All dimensions in millimetres



Glass Vice Decks

Timber Deck on Aluminium joists on Glass Vice Anchorjak™

Isometric Views

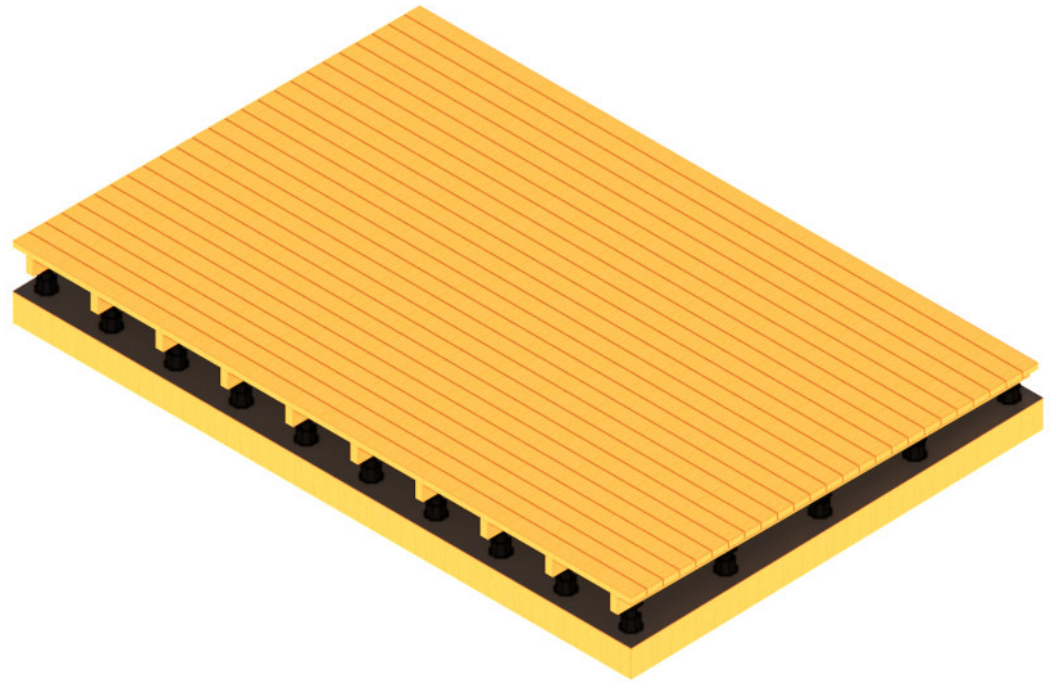
Date: Oct 2021
Scale:

www.glassvice.com
Phone +64 9 414 6565
info@glassvice.com

Quick Code:

GV_TIMBDECK_JAL_030

GV_TIMBDECK_JTB_010	Plan Views	Oct 2021
GV_TIMBDECK_JTB_020	Section Views	Oct 2021
GV_TIMBDECK_JTB_030	Isometric Views	Oct 2021



© 2021. The copyright of this document is the property of Glass Vice Limited and shall not be reproduced, copied, loaned or disposed of directly, or indirectly, nor used for any purpose other than that for which it is specifically furnished without prior consent.

gv_timbdeck_jack_timb.rvt
All dimensions in millimetres



Glass Vice Decks

Timber Deck on 90x45 Timber joists on Glass Vice Anchorjak™

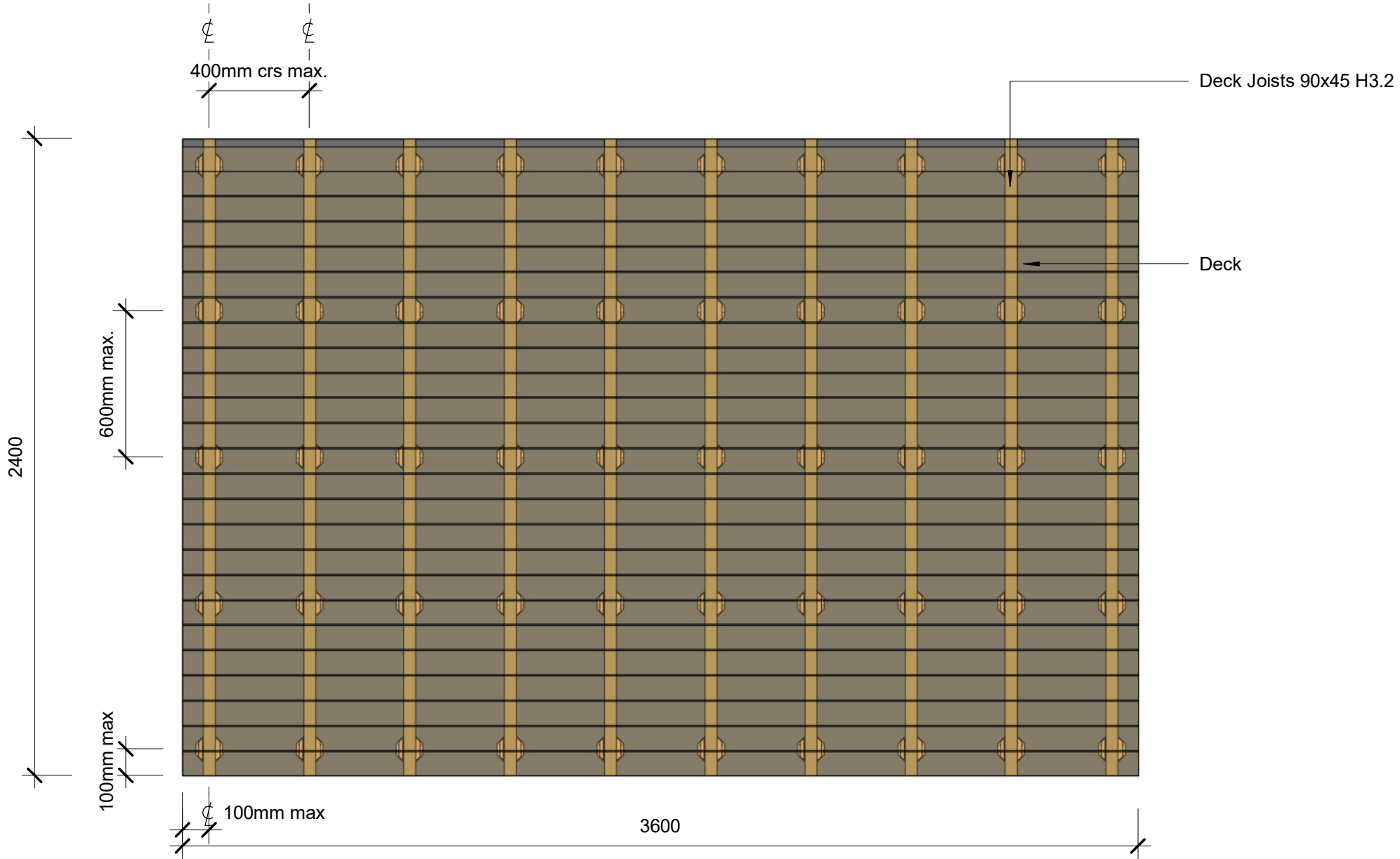
Index

Date: Oct 2021
Scale: 1 : 1

www.glassvice.com
Phone +64 9 414 6565
info@glassvice.com

Quick Code:

GV_TIMBDECK_JTB_000



© 2021. The copyright of this document is the property of Glass Vice Limited and shall not be reproduced, copied, loaned or disposed of directly, or indirectly, nor used for any purpose other than that for which it is specifically furnished without prior consent.

gv_timdeck_jack_timb.rvt
All dimensions in millimetres



Glass Vice Decks

Timber Deck on 90x45 Timber joists on Glass Vice Anchorjak™

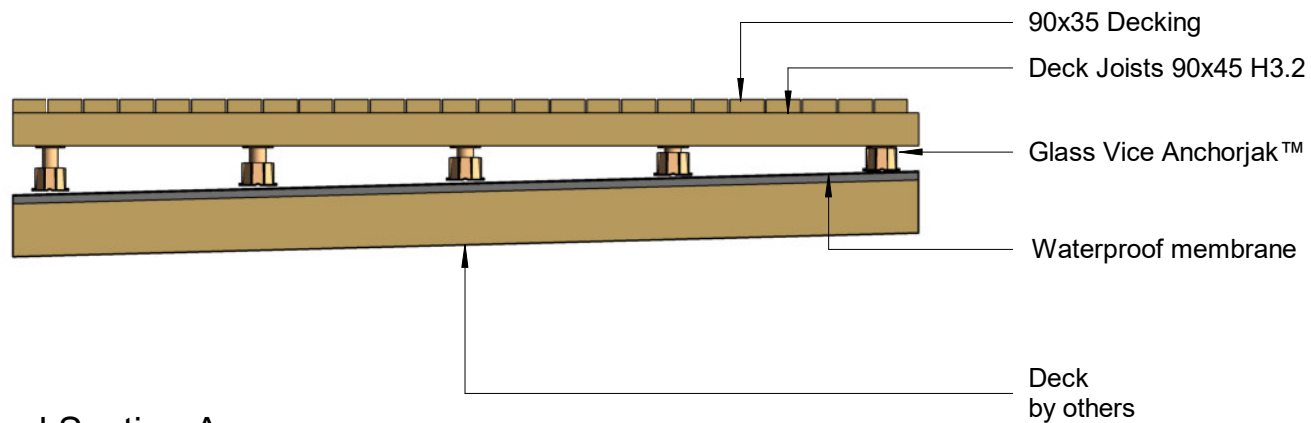
Plan Views

Date: Oct 2021
Scale: 1 : 20

www.glassvice.com
Phone +64 9 414 6565
info@glassvice.com

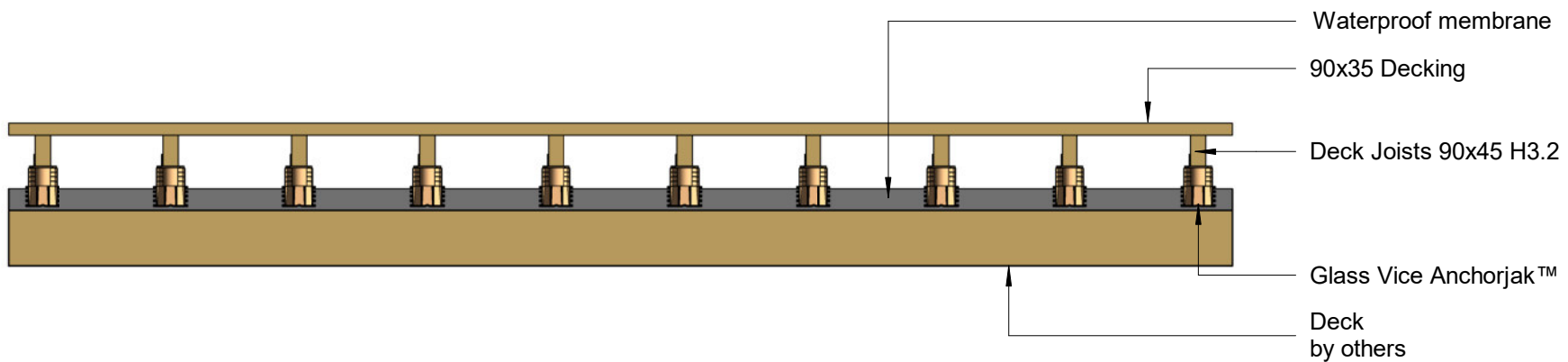
Quick Code:

GV_TIMBDECK_JTB_010



Typical Section Across

1 : 20



Typical Section Along

1 : 20

© 2021. The copyright of this document is the property of Glass Vice Limited and shall not be reproduced, copied, loaned or disposed of directly, or indirectly, nor used for any purpose other than that for which it is specifically furnished without prior consent.

gv_timdeck_jack_timb.rvt
All dimensions in millimetres



Glass Vice Decks

Timber Deck on 90x45 Timber joists on Glass Vice Anchorjak™

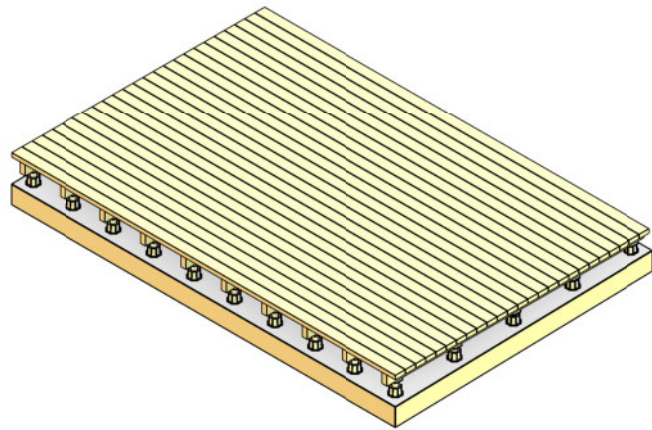
Section Views

Date: Oct 2021
Scale: 1 : 20

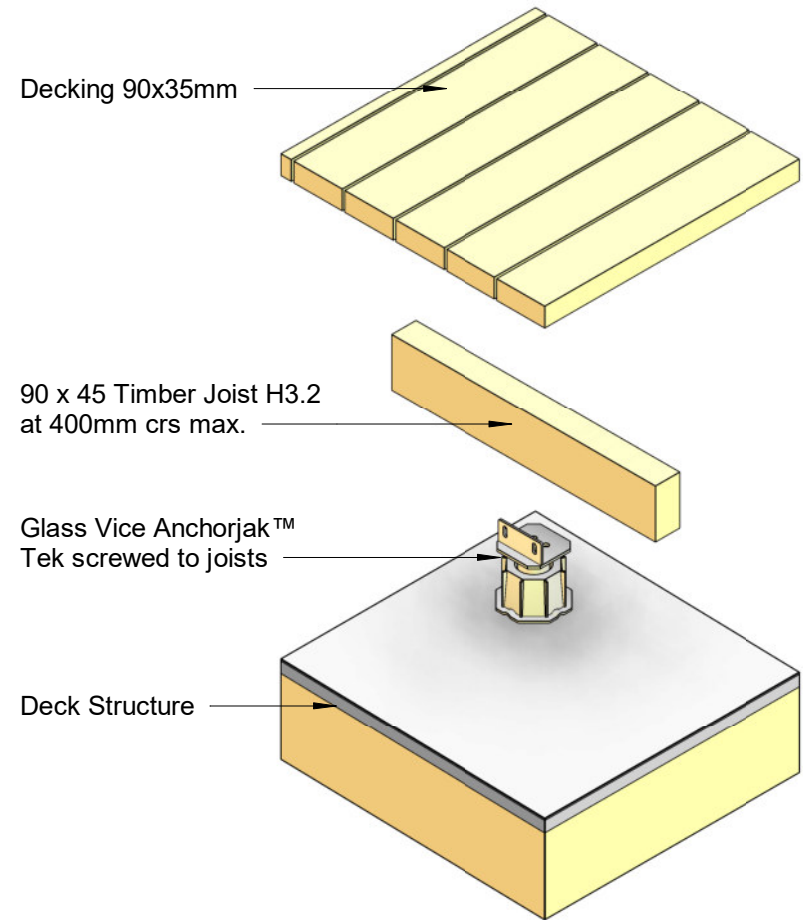
www.glassvice.com
Phone +64 9 414 6565
info@glassvice.com

Quick Code:

GV_TIMBDECK_JTB_020



Isometric View



Isometric Exploded View

© 2021. The copyright of this document is the property of Glass Vice Limited and shall not be reproduced, copied, loaned or disposed of directly, or indirectly, nor used for any purpose other than that for which it is specifically furnished without prior consent.

gv_timdeck_jack_timb.rvt
All dimensions in millimetres



Glass Vice Decks

Timber Deck on 90x45 Timber joists on Glass Vice Anchorjak™

Isometric Views

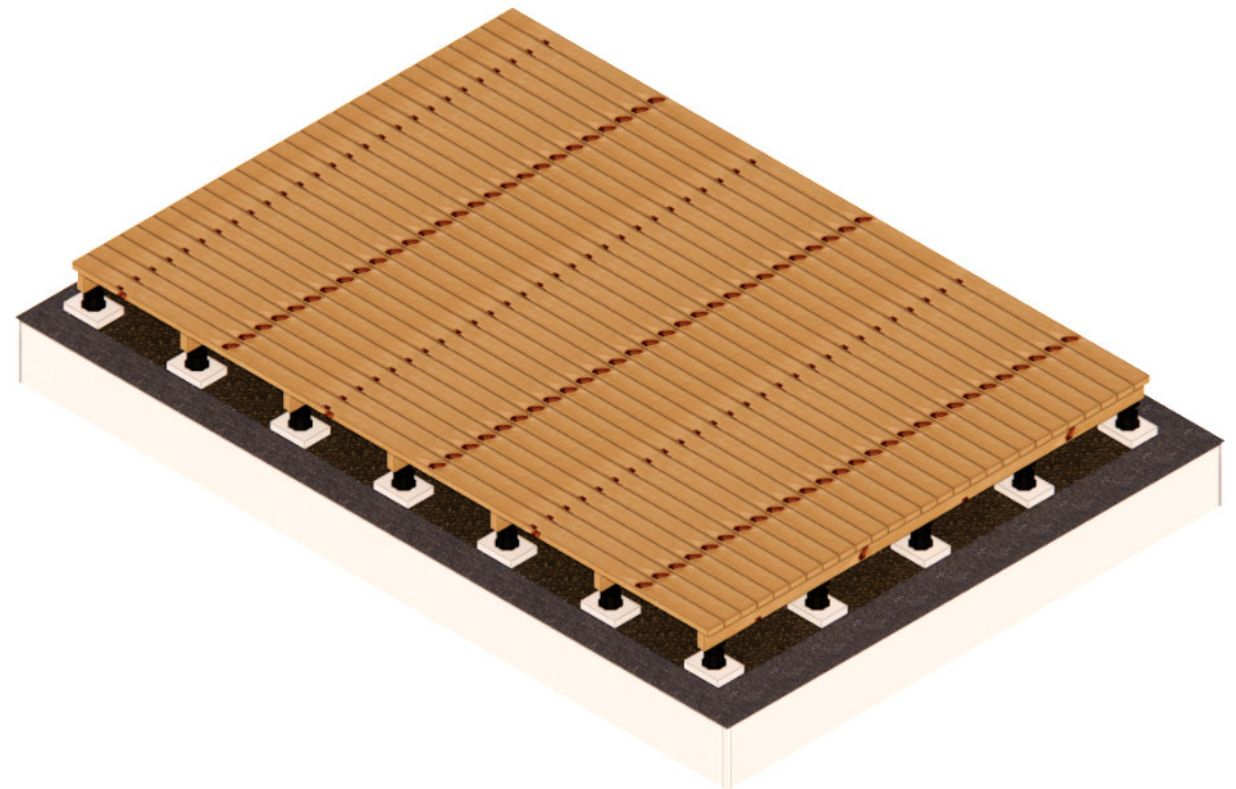
Date: Oct 2021
Scale:

www.glassvice.com
Phone +64 9 414 6565
info@glassvice.com

Quick Code:

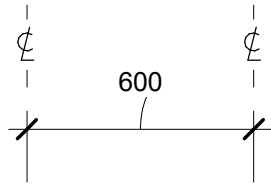
GV_TIMBDECK_JTB_030

GV_TIMBDECK_JTM_000	Index	Oct 2021
GV_TIMBDECK_JTM_010	Plan Views	Oct 2021
GV_TIMBDECK_JTM_020	Section Views	Oct 2021
GV_TIMBDECK_JTM_030	Isometric Views	Oct 2021
GV_TIMBDECK_JTM_040	Perspective	Oct 2021



© 2021. The copyright of this document is the property of Glass Vice Limited and shall not be reproduced, copied, loaned or disposed of directly, or indirectly, nor used for any purpose other than that for which it is specifically furnished without prior consent.

gv_timbdeck_jack_timb_metal.rvt
All dimensions in millimetres



1200

© 2021. The copyright of this document is the property of Glass Vice Limited and shall not be reproduced, copied, loaned or disposed of directly, or indirectly, nor used for any purpose other than that for which it is specifically furnished without prior consent.

gv_timbdeck_jack_timb_metal.rvt
All dimensions in millimetres



Glass Vice Decks

Timber Deck on Timber Joists on Glass Vice Anchorjak™

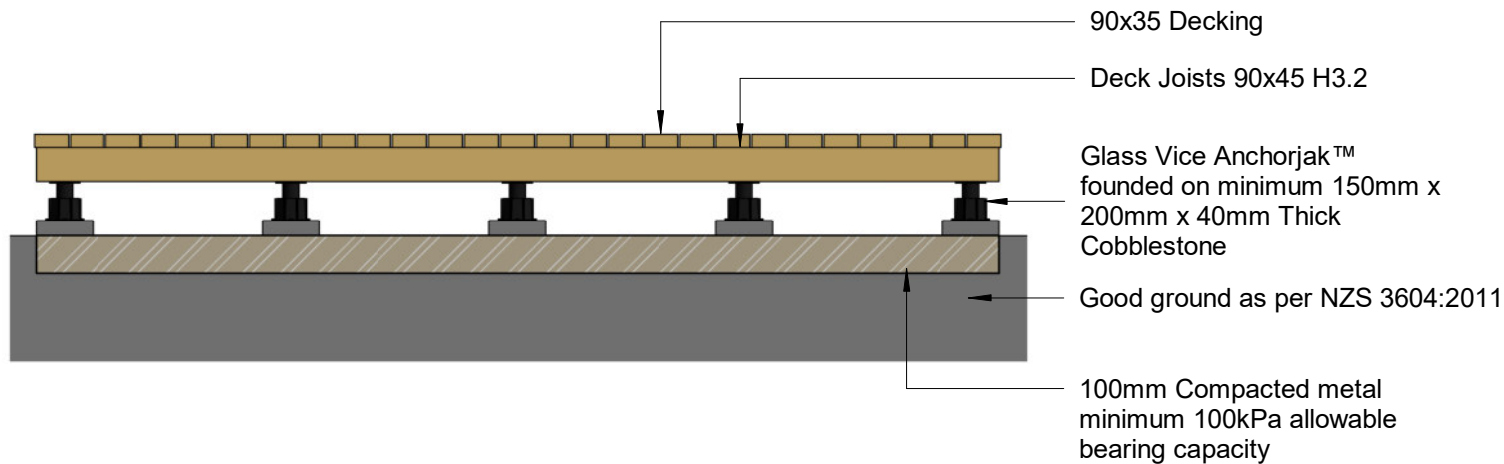
Plan Views

Date: Oct 2021
Scale: 1 : 20

www.glassvice.com
Phone +64 9 414 6565
info@glassvice.com

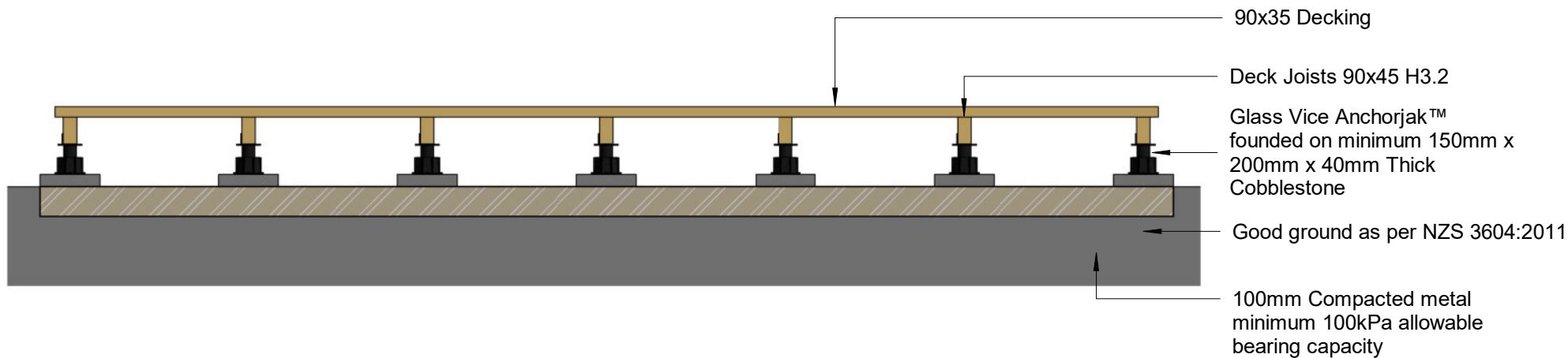
Quick Code:

GV_TIMBDECK_JTM_010



Typical Section Across

1 : 20



Typical Section Along

1 : 20

© 2021. The copyright of this document is the property of Glass Vice Limited and shall not be reproduced, copied, loaned or disposed of directly, or indirectly, nor used for any purpose other than that for which it is specifically furnished without prior consent.

gv_timbdeck_jack_timb_metal.rvt
All dimensions in millimetres



Glass Vice Decks

Timber Deck on Timber Joists on Glass Vice Anchorjak™

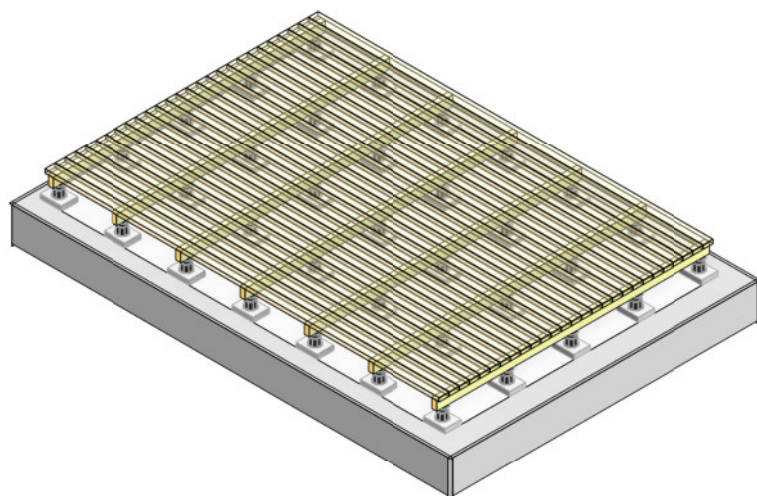
Section Views

Date: Oct 2021
Scale: 1 : 20

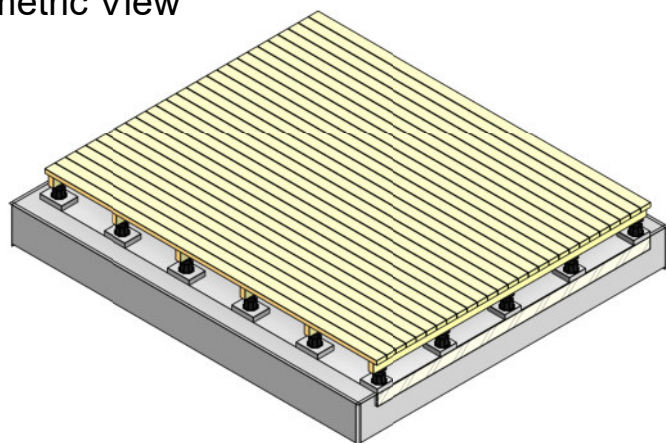
www.glassvice.com
Phone +64 9 414 6565
info@glassvice.com

Quick Code:

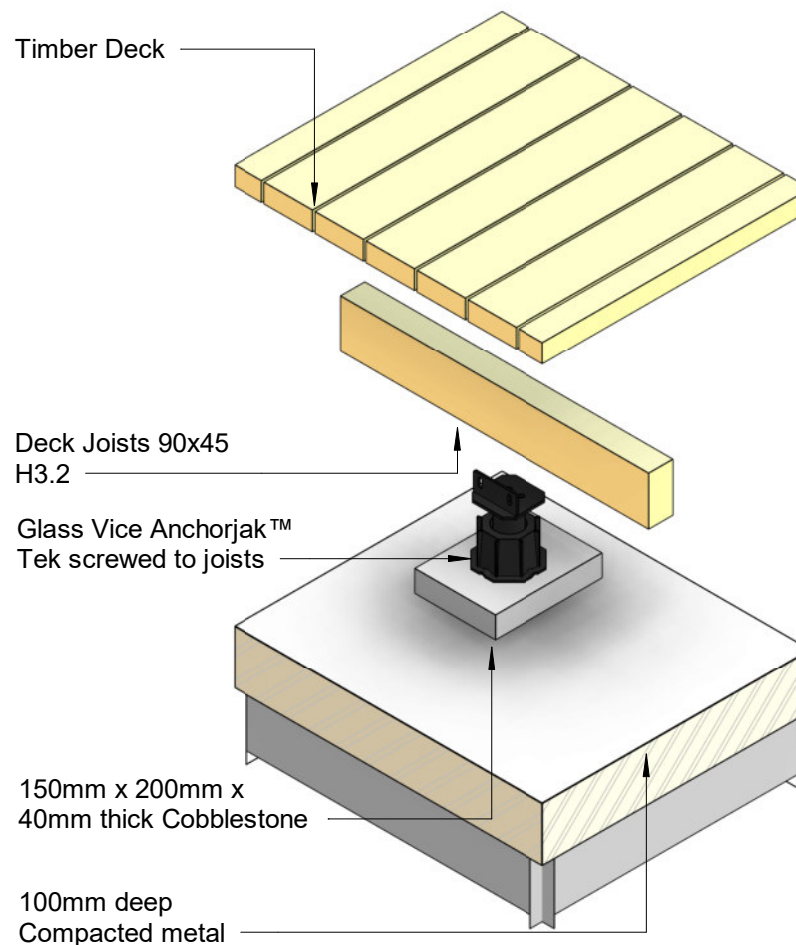
GV_TIMBDECK_JTM_020



Isometric View



Isometric View Sectioned



Isometric Exploded View

© 2021. The copyright of this document is the property of Glass Vice Limited and shall not be reproduced, copied, loaned or disposed of directly, or indirectly, nor used for any purpose other than that for which it is specifically furnished without prior consent.

gv_timdeck_jack_timb_metal.rvt
All dimensions in millimetres



Glass Vice Decks

Timber Deck on Timber Joists on Glass Vice Anchorjak™

Isometric Views

Date: Oct 2021
Scale:

www.glassvice.com
Phone +64 9 414 6565
info@glassvice.com

Quick Code:

GV_TIMBDECK_JTM_030



© 2021. The copyright of this document is the property of Glass Vice Limited and shall not be reproduced, copied, loaned or disposed of directly, or indirectly, nor used for any purpose other than that for which it is specifically furnished without prior consent.

gv_timbdeck_jack_timb_metal.rvt
All dimensions in millimetres



Glass Vice Decks

Timber Deck on Timber Joists on Glass Vice Anchorjak™

Perspective

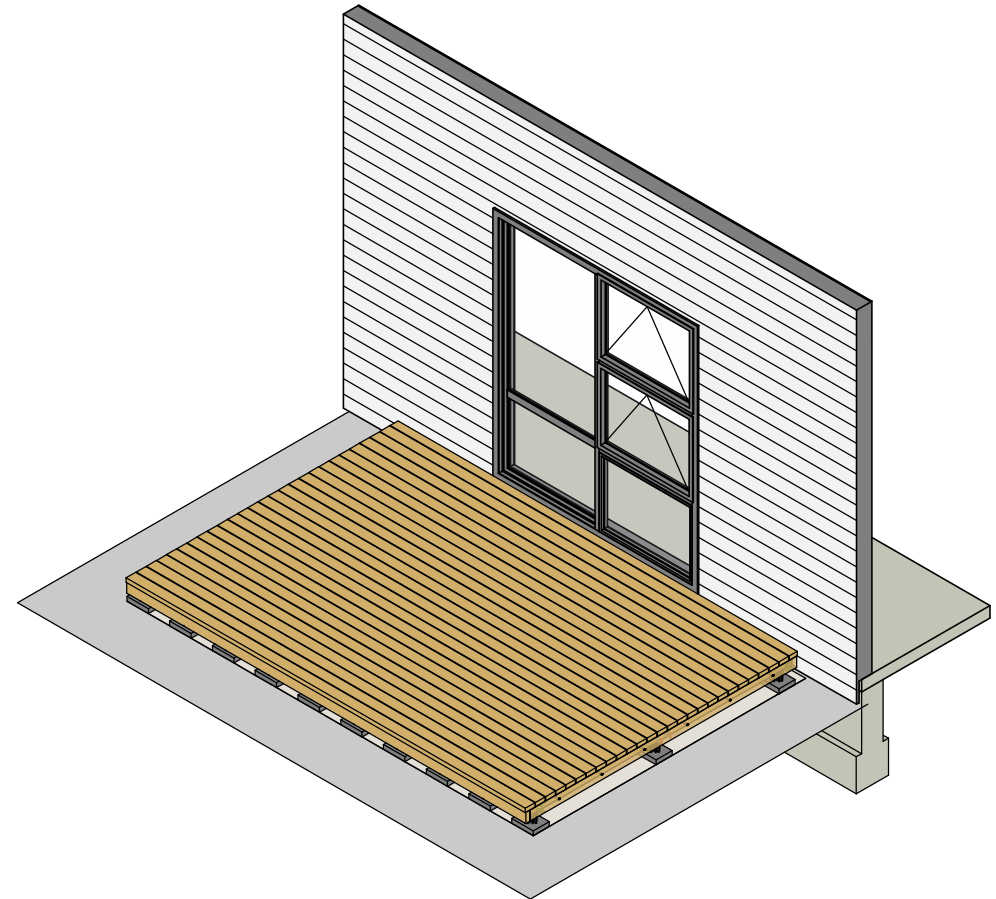
Date: Oct 2021
Scale: 1 : 1

www.glassvice.com
Phone +64 9 414 6565
info@glassvice.com

Quick Code:

GV_TIMBDECK_JTM_040

Sheet Number	Sheet Name
GV_TIMBDECK_JMS_010	Plan View
GV_TIMBDECK_JMS_012	Joist Hanger - JH90
GV_TIMBDECK_JMS_014	Connection - JV88
GV_TIMBDECK_JMS_016	GlassVice Deck Deck Layout
GV_TIMBDECK_JMS_018	Framing Layout
GV_TIMBDECK_JMS_020	Deck Floor Framing
GV_TIMBDECK_JMS_030	Section Views
GV_TIMBDECK_JMS_040	Isometric Views
GV_TIMBDECK_JMS_050	House Connection Detail
GV_TIMBDECK_JMS_055	House Connection Details



Suitable for flat outdoor areas using H3.2 90x45mm timber

© 2021. The copyright of this document is the property of Glass Vice Limited and shall not be reproduced, copied, loaned or disposed of directly, or indirectly, nor used for any purpose other than that for which it is specifically furnished without prior consent.

gv_timbdeck_jack_timb_metal_slab.rvt
All dimensions in millimetres



Glass Vice Decks

Timber Deck on Timber Joists on Glass Vice Anchorjak™ - Attached to wall - Slab Foundation

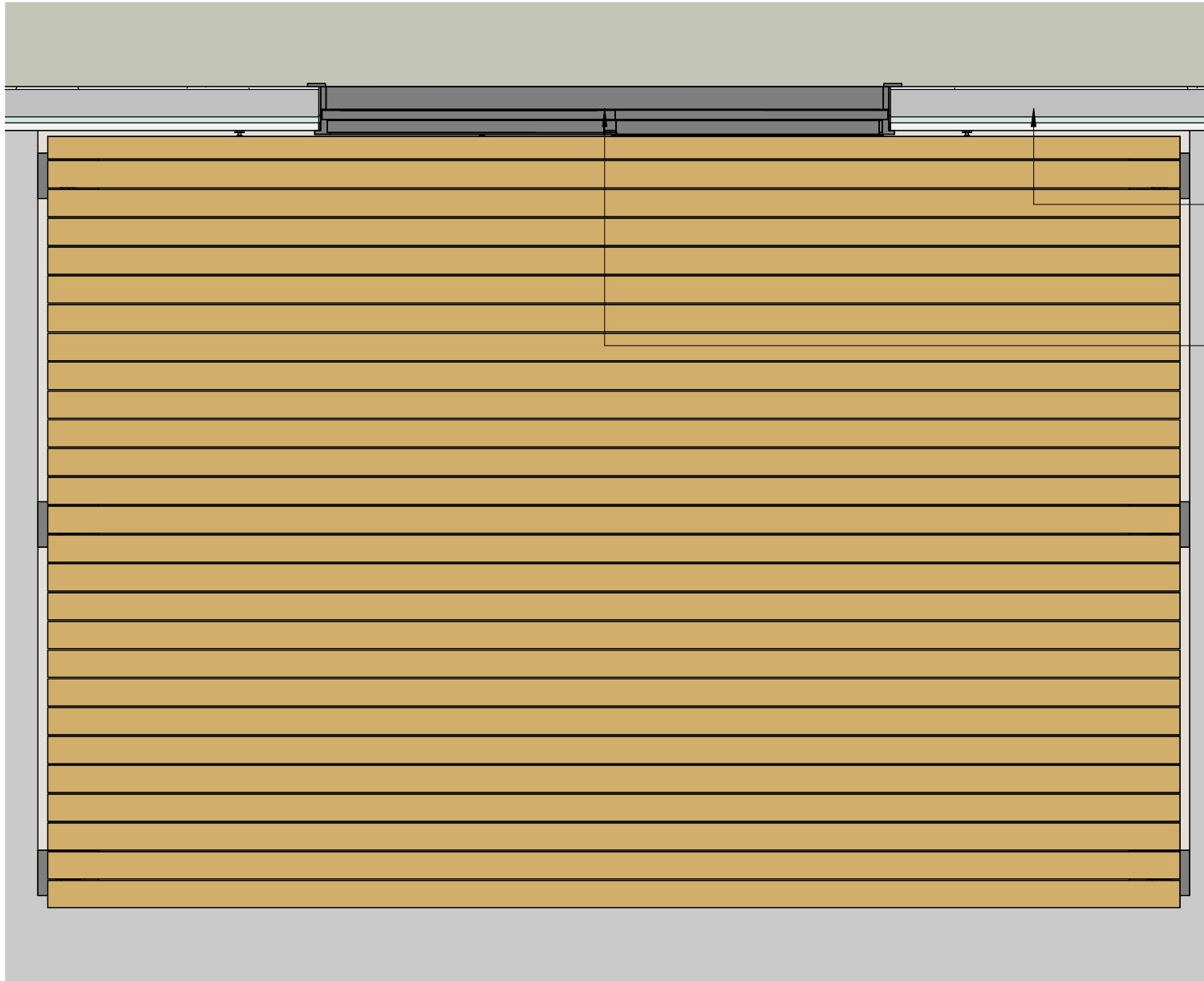
Index

Date: Oct 2021
Scale:

www.glassvice.com
Phone +64 9 414 6565
info@glassvice.com

Quick Code:

GV_TIMBDECK_JMS_000



Exterior wall by others

Opening by others

© 2021. The copyright of this document is the property of Glass Vice Limited and shall not be reproduced, copied, loaned or disposed of directly, or indirectly, nor used for any purpose other than that for which it is specifically furnished without prior consent.

gv_timbdeck_jack_timb_metal_slab.rvt
All dimensions in millimetres



Glass Vice Decks

Timber Deck on Timber Joists on Glass Vice Anchorjak™ - Attached to wall - Slab Foundation

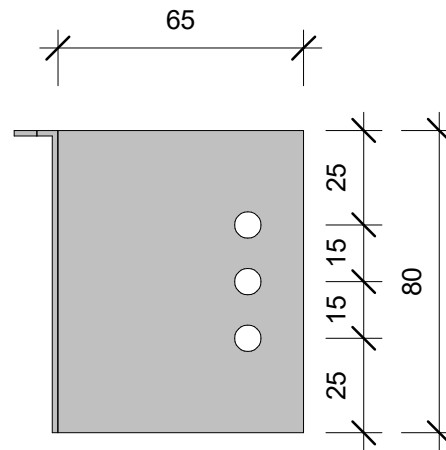
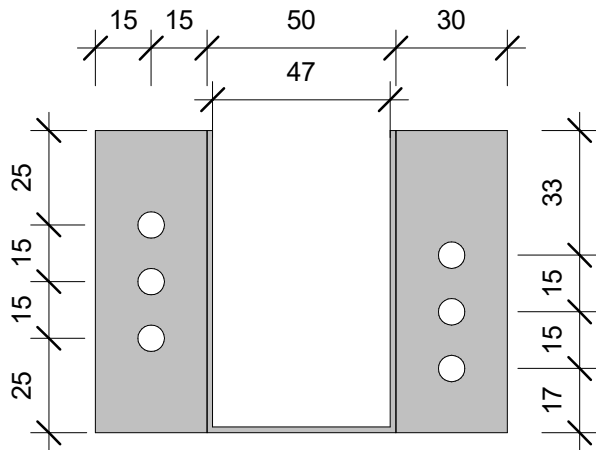
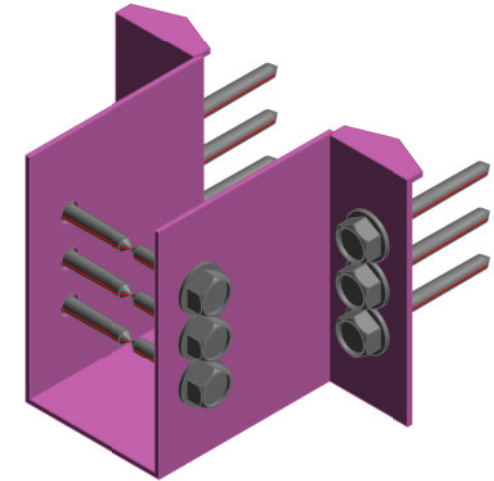
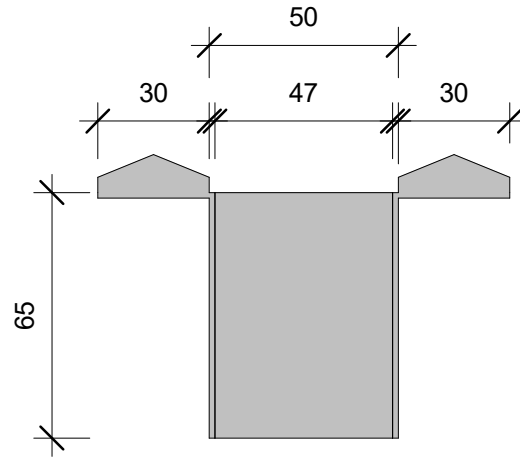
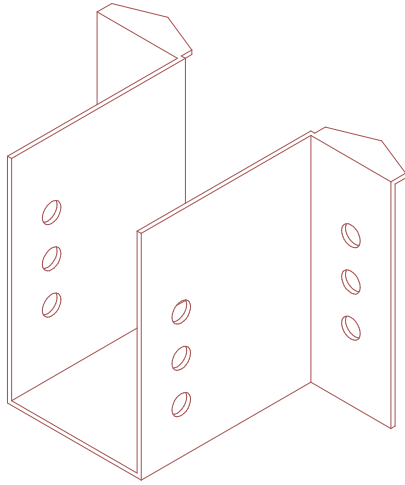
Plan View

Date: Oct 2021
Scale: 1 : 20

www.glassvice.com
Phone +64 9 414 6565
info@glassvice.com

Quick Code:

GV_TIMBDECK_JMS_010



gv_timbdeck_jms_012 joist hanger - jh90

© 2021. The copyright of this document is the property of Glass Vice Limited and shall not be reproduced, copied, loaned or disposed of directly, or indirectly, nor used for any purpose other than that for which it is specifically furnished without prior consent.

gv_timbdeck_jack_timb_metal_slab.rvt
All dimensions in millimetres



Glass Vice Decks

Timber Deck on Timber Joists on Glass Vice Anchorjak™ - Attached to wall - Slab Foundation

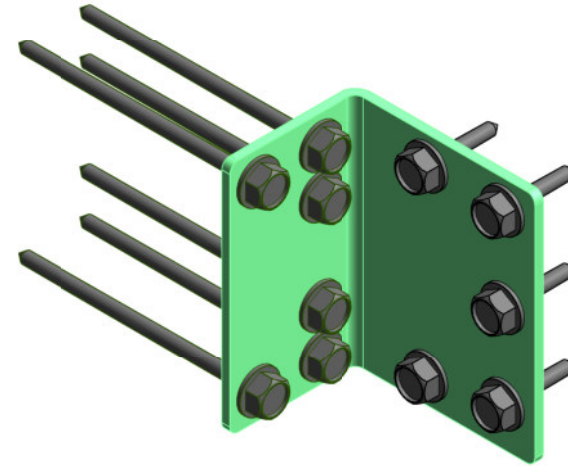
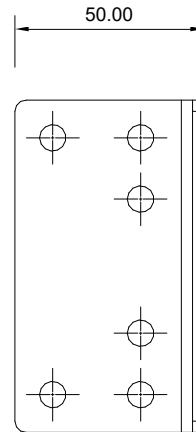
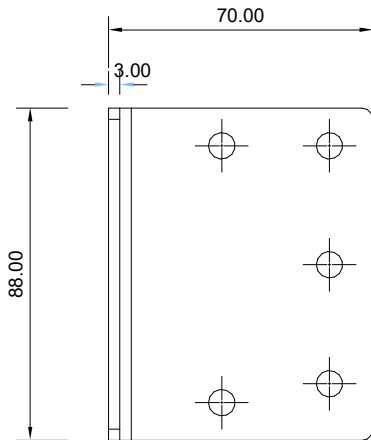
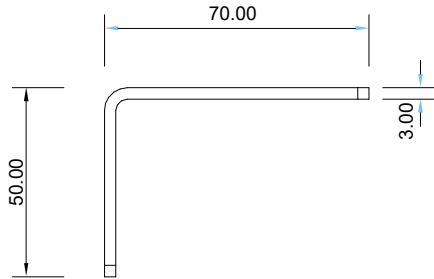
Joist Hanger - JH90

Date: Oct 2021
Scale: 1 : 2

www.glassvice.com
Phone +64 9 414 6565
info@glassvice.com

Quick Code:

GV_TIMBDECK_JMS_012



gv_timbdeck_jms_014 connection - jv88_1

1 : 2

© 2021. The copyright of this document is the property of Glass Vice Limited and shall not be reproduced, copied, loaned or disposed of directly, or indirectly, nor used for any purpose other than that for which it is specifically furnished without prior consent.

gv_timbdeck_jack_timb_metal_slab.rvt
All dimensions in millimetres



Glass Vice Decks

Timber Deck on Timber Joists on Glass Vice Anchorjak™ - Attached to wall - Slab Foundation

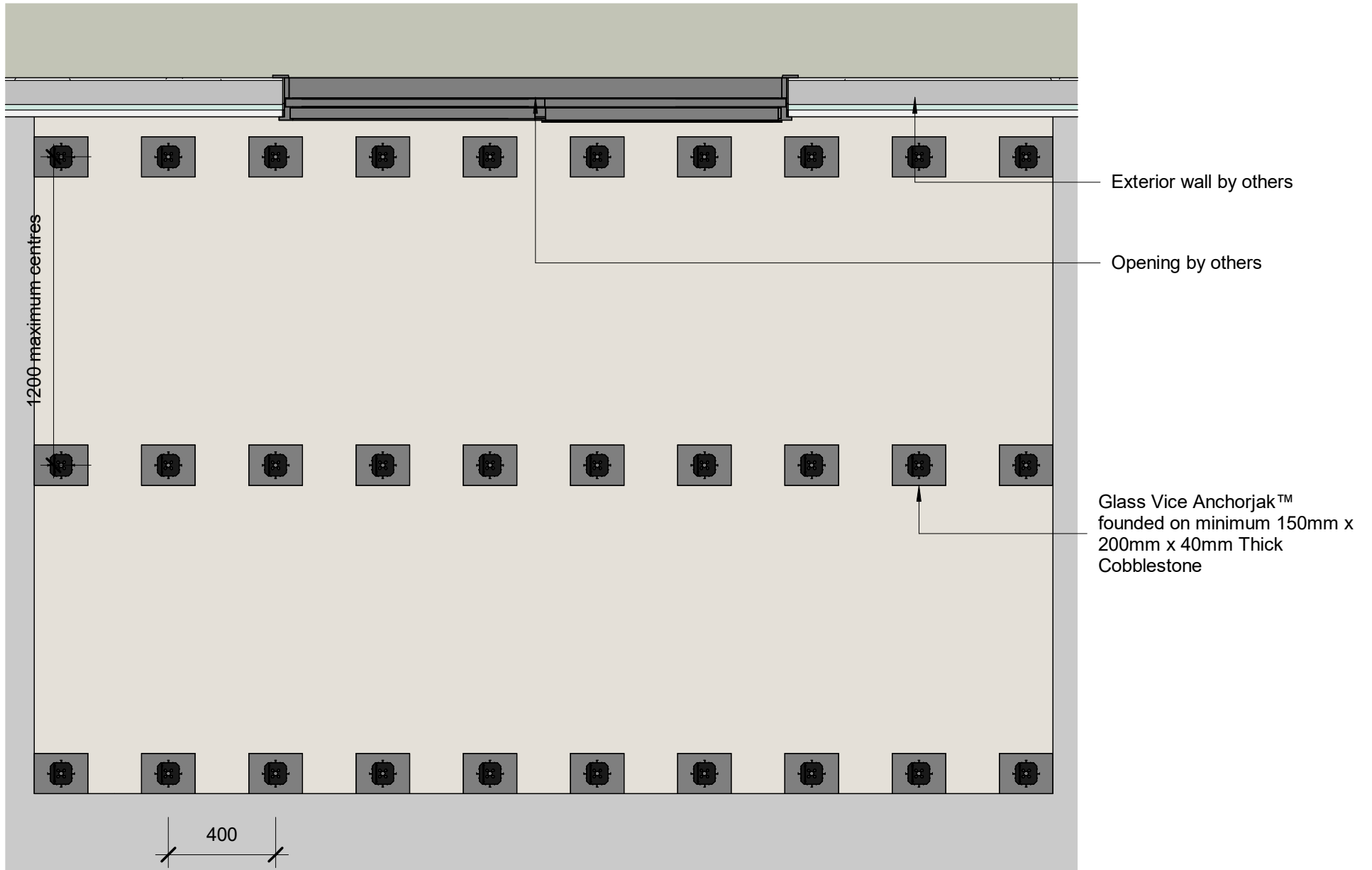
Connection - JV88

Date: Oct 2021
Scale: 1 : 2

www.glassvice.com
Phone +64 9 414 6565
info@glassvice.com

Quick Code:

GV_TIMBDECK_JMS_014



© 2021. The copyright of this document is the property of Glass Vice Limited and shall not be reproduced, copied, loaned or disposed of directly, or indirectly, nor used for any purpose other than that for which it is specifically furnished without prior consent.

gv_timbdeck_jack_timb_metal_slab.rvt
All dimensions in millimetres



Glass Vice Decks

Timber Deck on Timber Joists on Glass Vice Anchorjak™ - Attached to wall - Slab Foundation

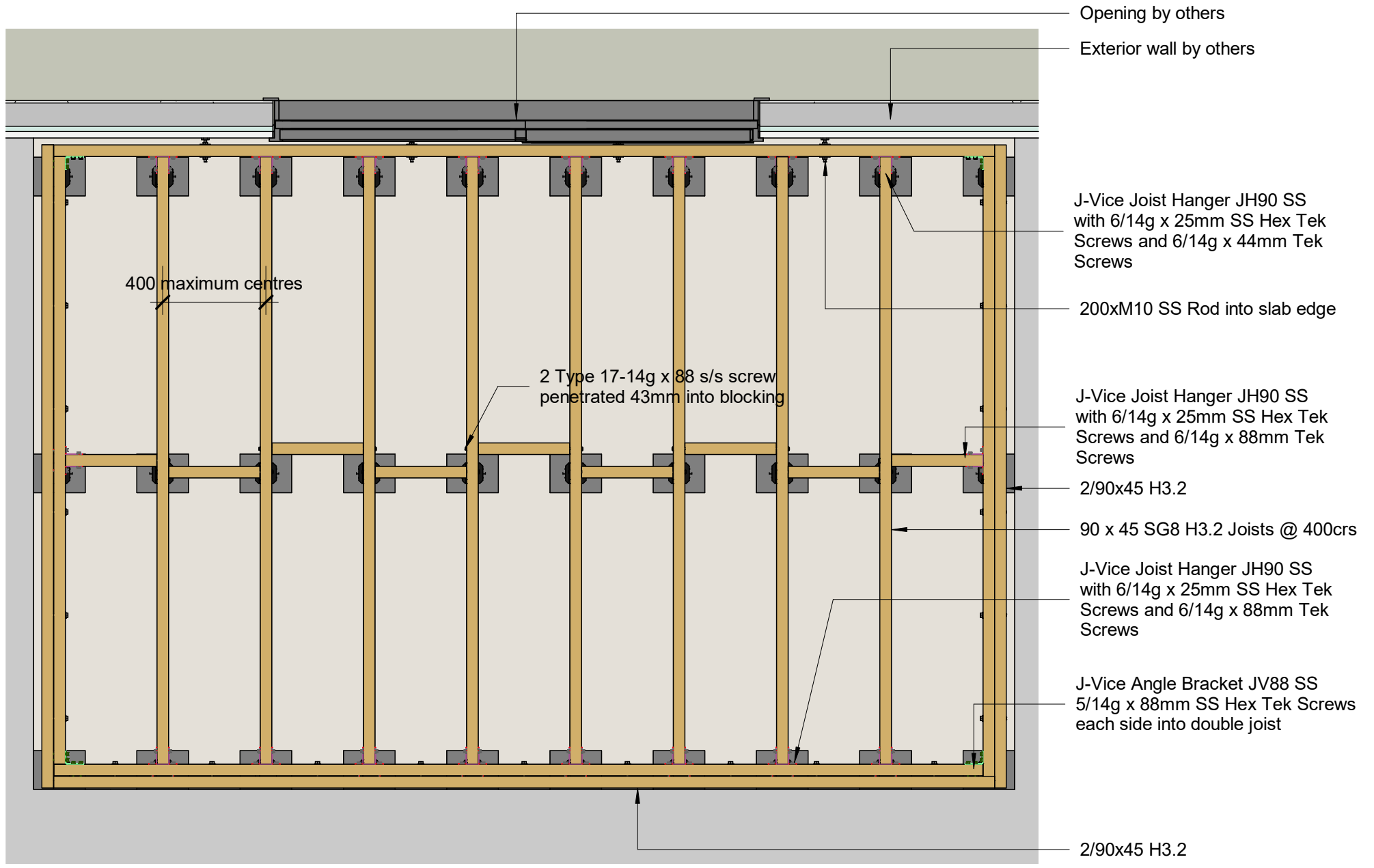
GlassVice Deck Deck Layout

Date: Oct 2021
Scale: 1 : 20

www.glassvice.com
Phone +64 9 414 6565
info@glassvice.com

Quick Code:

GV_TIMBDECK_JMS_016



- Opening by others
- Exterior wall by others
- J-Vice Joist Hanger JH90 SS with 6/14g x 25mm SS Hex Tek Screws and 6/14g x 44mm Tek Screws
- 200xM10 SS Rod into slab edge
- J-Vice Joist Hanger JH90 SS with 6/14g x 25mm SS Hex Tek Screws and 6/14g x 88mm Tek Screws
- 2/90x45 H3.2
- 90 x 45 SG8 H3.2 Joists @ 400crs
- J-Vice Joist Hanger JH90 SS with 6/14g x 25mm SS Hex Tek Screws and 6/14g x 88mm Tek Screws
- J-Vice Angle Bracket JV88 SS 5/14g x 88mm SS Hex Tek Screws each side into double joist
- 2/90x45 H3.2

400 maximum centres

2 Type 17-14g x 88 s/s screw penetrated 43mm into blocking

© 2021. The copyright of this document is the property of Glass Vice Limited and shall not be reproduced, copied, loaned or disposed of directly, or indirectly, nor used for any purpose other than that for which it is specifically furnished without prior consent.

gv_timbdeck_jack_timb_metal_slab.rvt
All dimensions in millimetres



Glass Vice Decks

Timber Deck on Timber Joists on Glass Vice Anchorjak™ - Attached to wall - Slab Foundation

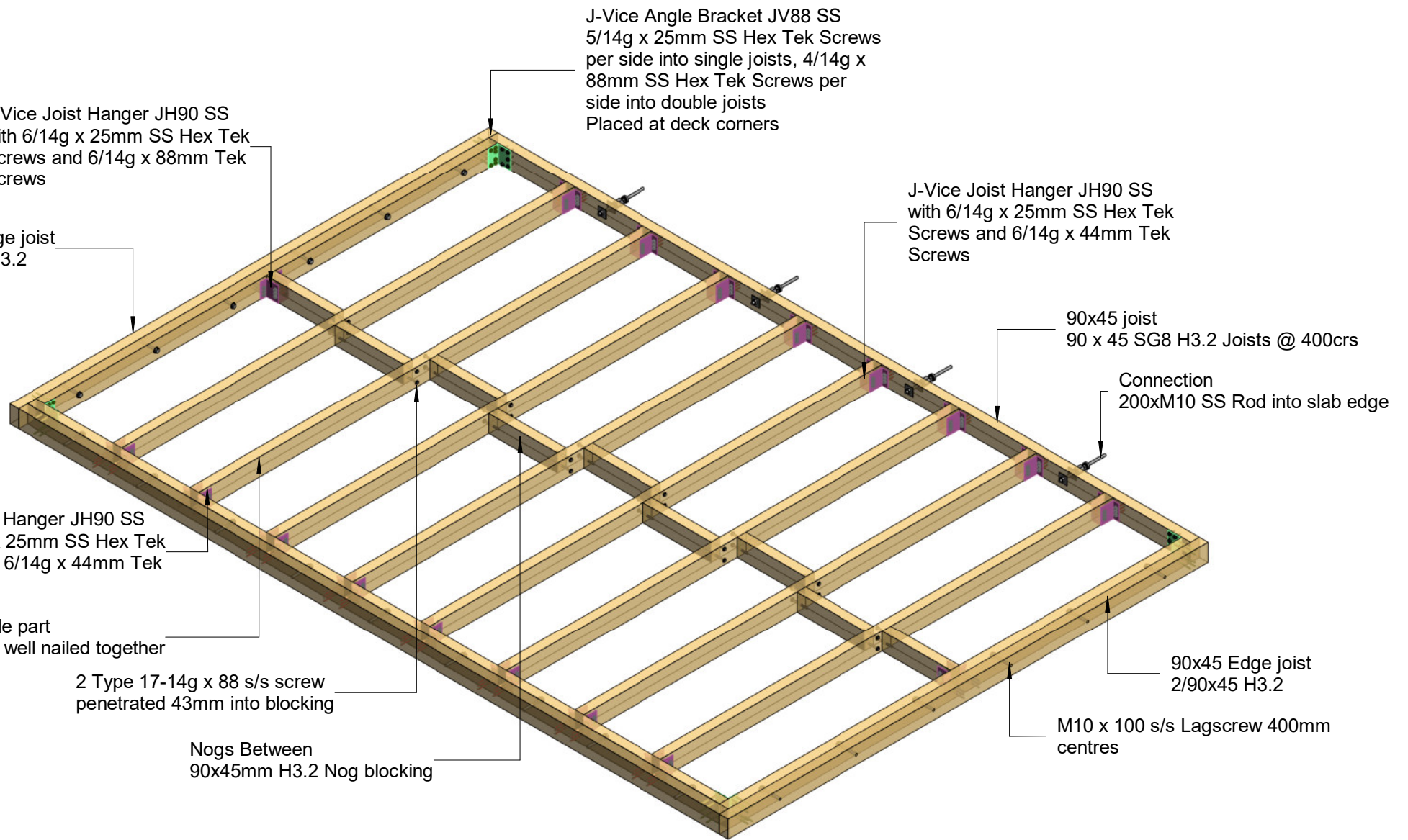
Framing Layout

Date: Oct 2021
Scale: 1 : 20

www.glassvice.com
Phone +64 9 414 6565
info@glassvice.com

Quick Code:

GV_TIMBDECK_JMS_018



J-Vice Angle Bracket JV88 SS
 5/14g x 25mm SS Hex Tek Screws
 per side into single joists, 4/14g x
 88mm SS Hex Tek Screws per
 side into double joists
 Placed at deck corners

J-Vice Joist Hanger JH90 SS
 with 6/14g x 25mm SS Hex Tek
 Screws and 6/14g x 88mm Tek
 Screws

90x45 Edge joist
 2/90x45 H3.2

J-Vice Joist Hanger JH90 SS
 with 6/14g x 25mm SS Hex Tek
 Screws and 6/14g x 44mm Tek
 Screws

90x45 joist
 90 x 45 SG8 H3.2 Joists @ 400crs

Connection
 200xM10 SS Rod into slab edge

J-Vice Joist Hanger JH90 SS
 with 6/14g x 25mm SS Hex Tek
 Screws and 6/14g x 44mm Tek
 Screws

90x45 double part
 Double joist well nailed together

2 Type 17-14g x 88 s/s screw
 penetrated 43mm into blocking

Nogs Between
 90x45mm H3.2 Nog blocking

M10 x 100 s/s Lagscrew 400mm
 centres

90x45 Edge joist
 2/90x45 H3.2

© 2021. The copyright of this document is the property of Glass Vice Limited and shall not be reproduced, copied, loaned or disposed of directly, or indirectly, nor used for any purpose other than that for which it is specifically furnished without prior consent.

gv_timbdeck_jack_timb_metal_slab.rvt
 All dimensions in millimetres



Glass Vice Decks

Timber Deck on Timber Joists on Glass Vice Anchorjak™ - Attached to wall - Slab Foundation

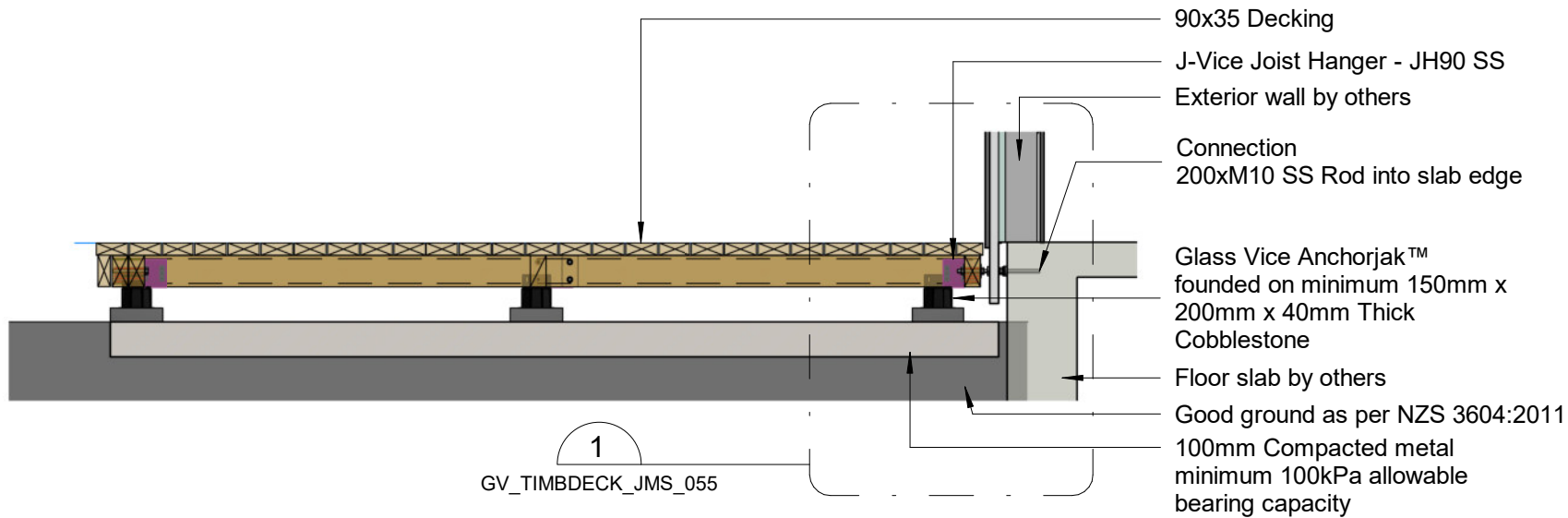
Deck Floor Framing

Date: Oct 2021
 Scale:

www.glassvice.com
 Phone +64 9 414 6565
 info@glassvice.com

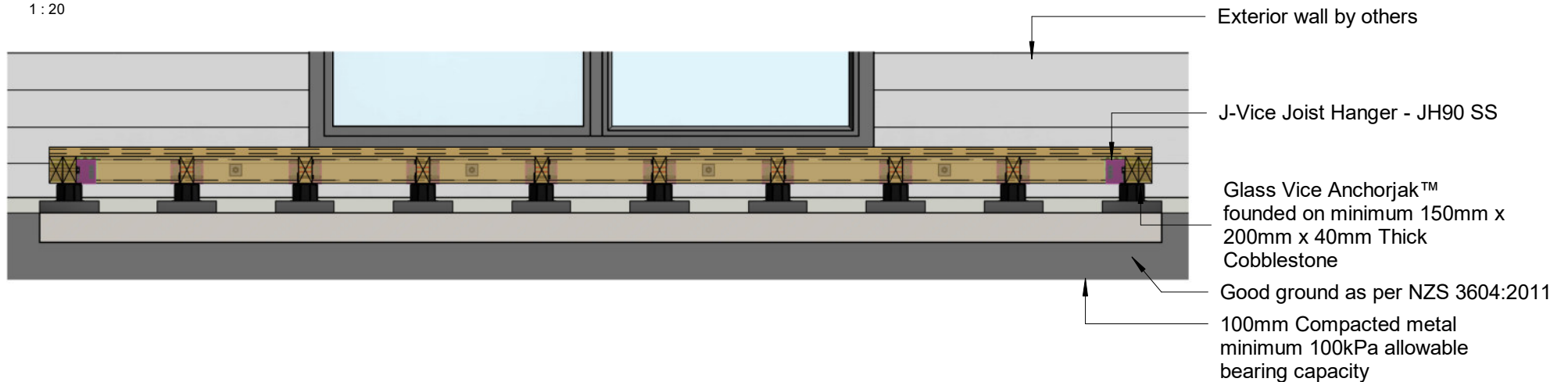
Quick Code:

GV_TIMBDECK_JMS_020



gv_timbdeck_jms_030 section views_1

1 : 20



gv_timbdeck_jms_030 section views_2

1 : 20

© 2021. The copyright of this document is the property of Glass Vice Limited and shall not be reproduced, copied, loaned or disposed of directly, or indirectly, nor used for any purpose other than that for which it is specifically furnished without prior consent.

gv_timbdeck_jack_timb_metal_slab.rvt
All dimensions in millimetres



Glass Vice Decks

Timber Deck on Timber Joists on Glass Vice Anchorjak™ - Attached to wall - Slab Foundation

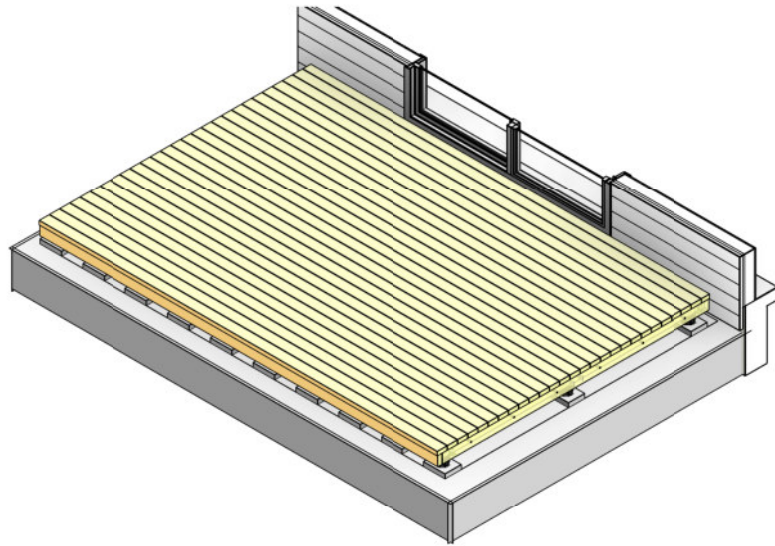
Section Views

Date: Oct 2021
Scale: 1 : 20

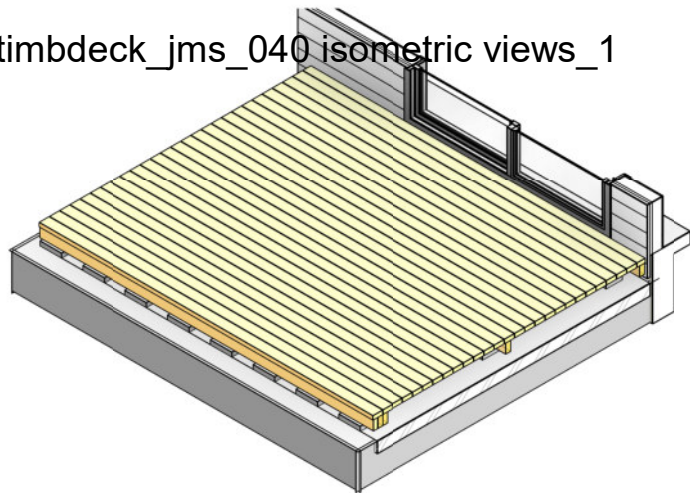
www.glassvice.com
Phone +64 9 414 6565
info@glassvice.com

Quick Code:

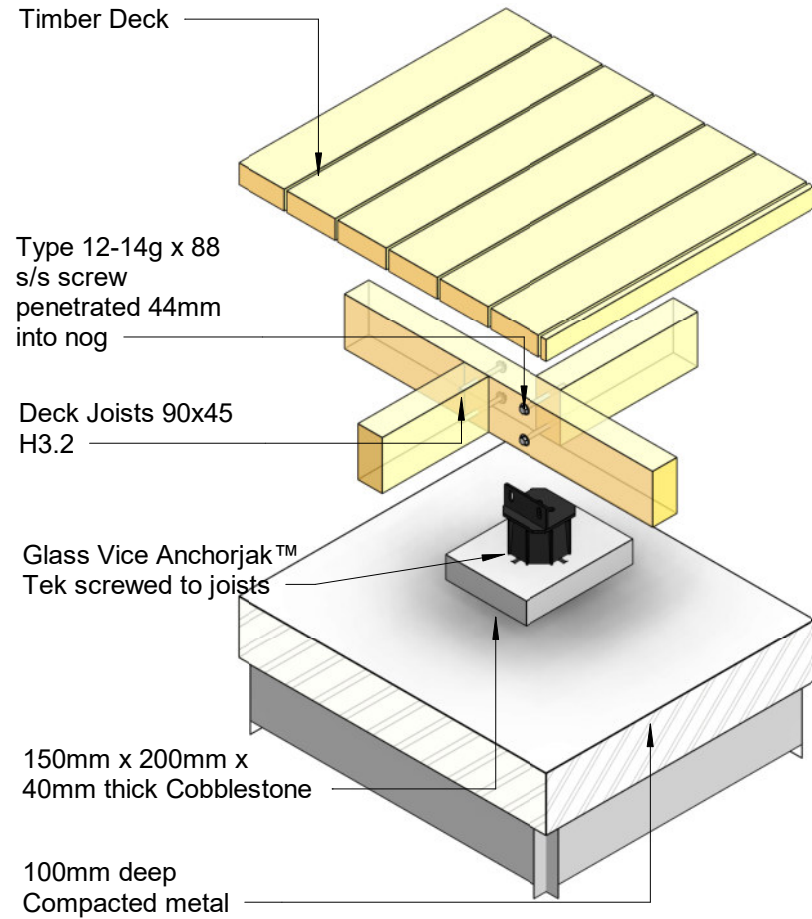
GV_TIMBDECK_JMS_030



gv_timbdeck_jms_040 isometric views_1



gv_timbdeck_jms_040 isometric views_3



gv_timbdeck_jms_040 isometric views_2

© 2021. The copyright of this document is the property of Glass Vice Limited and shall not be reproduced, copied, loaned or disposed of directly, or indirectly, nor used for any purpose other than that for which it is specifically furnished without prior consent.

gv_timbdeck_jack_timb_metal_slab.rvt
All dimensions in millimetres



Glass Vice Decks

Timber Deck on Timber Joists on Glass Vice Anchorjak™ - Attached to wall - Slab Foundation

Isometric Views

Date: Oct 2021
Scale:

www.glassvice.com
Phone +64 9 414 6565
info@glassvice.com

Quick Code:

GV_TIMBDECK_JMS_040

M10 120mm Threaded rod epoxied into concrete using Hilti RE500

SS Coupling nut

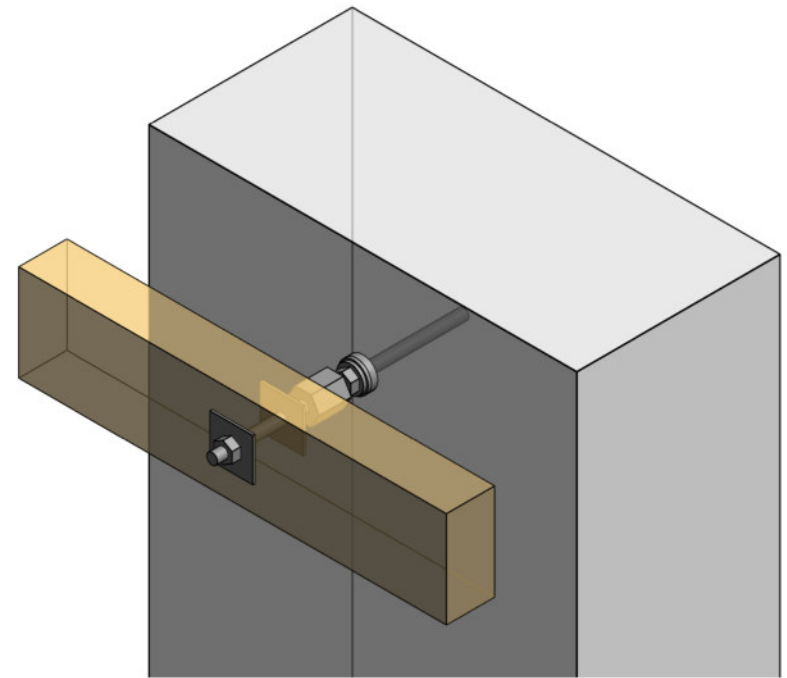
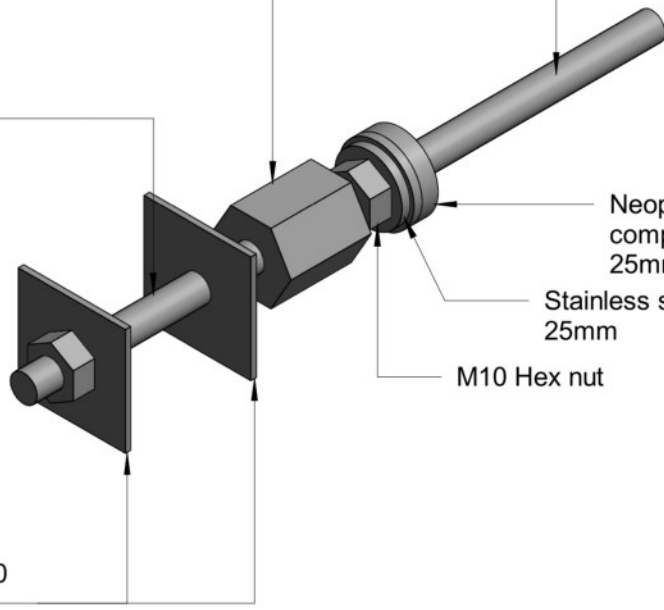
M10 SS 200mm Threaded rod

Neoprene washer 6mm compressed to 3mm M10 25mm washer

Stainless steel washer M10 25mm

M10 Hex nut

3x40x40mm M10 SS Washers



© 2021. The copyright of this document is the property of Glass Vice Limited and shall not be reproduced, copied, loaned or disposed of directly, or indirectly, nor used for any purpose other than that for which it is specifically furnished without prior consent.

gv_timbdeck_jack_timb_metal_slab.rvt
All dimensions in millimetres



Glass Vice Decks

Timber Deck on Timber Joists on Glass Vice Anchorjak™ - Attached to wall - Slab Foundation

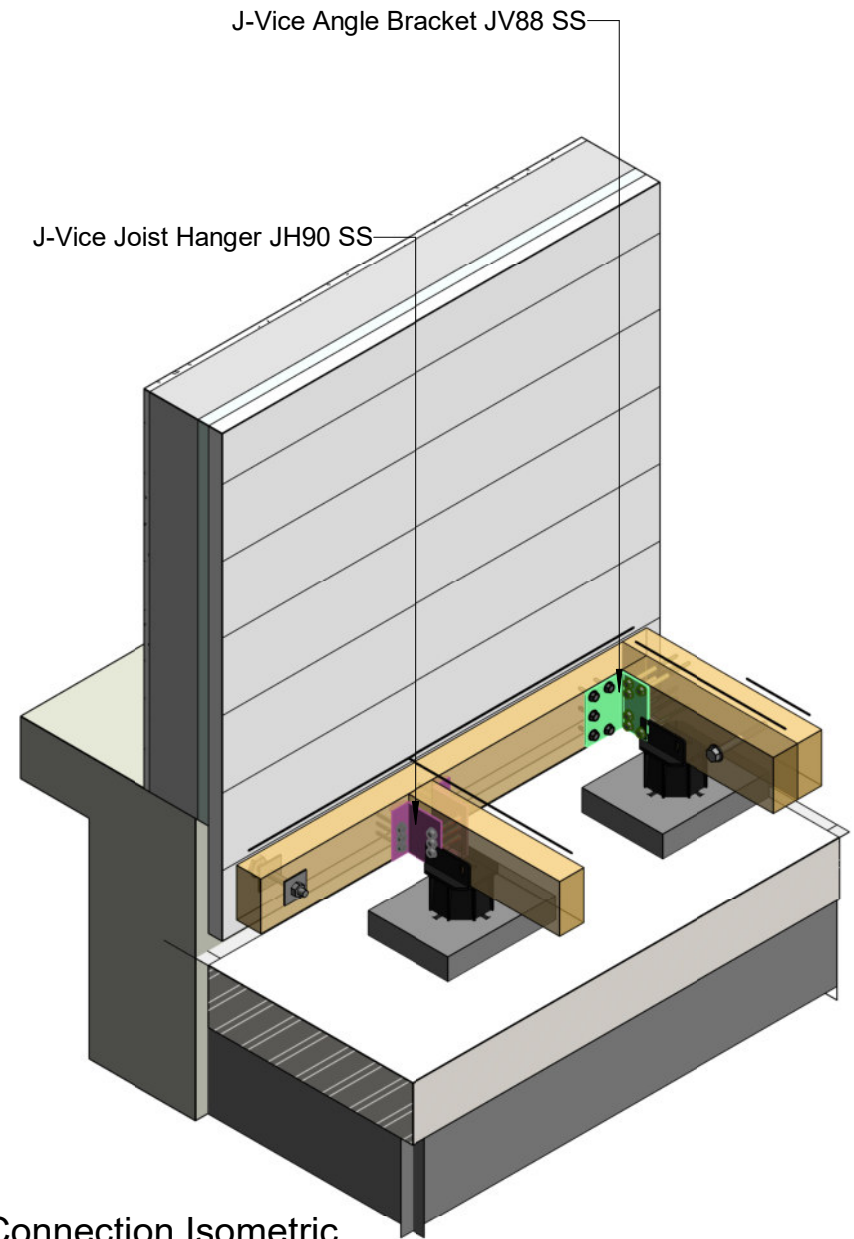
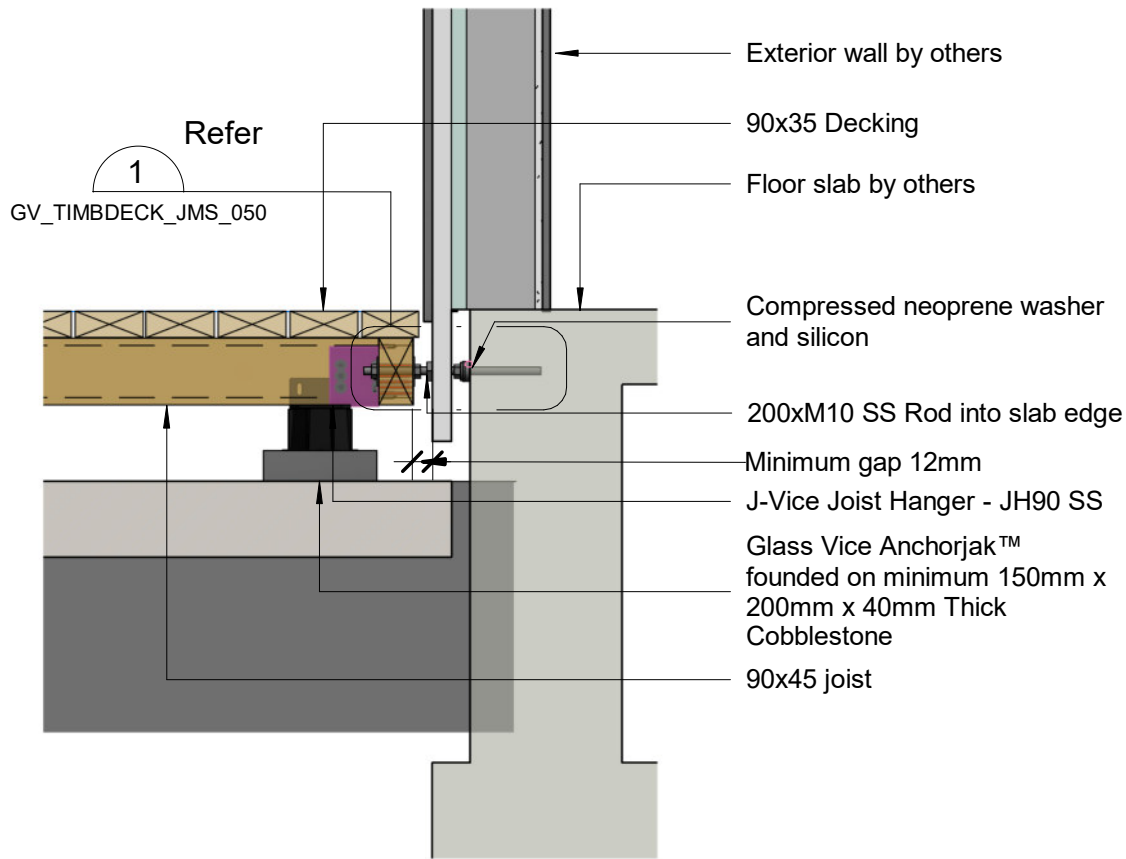
House Connection Detail

Date: Oct 2021
Scale: 1 : 2

www.glassvice.com
Phone +64 9 414 6565
info@glassvice.com

Quick Code:

GV_TIMBDECK_JMS_050



gv_timbdeck_jms_055 house connection details_1
1:10

Wall Connection Isometric

© 2021. The copyright of this document is the property of Glass Vice Limited and shall not be reproduced, copied, loaned or disposed of directly, or indirectly, nor used for any purpose other than that for which it is specifically furnished without prior consent.

gv_timbdeck_jack_timb_metal_slab.rvt
All dimensions in millimetres



Glass Vice Decks

Timber Deck on Timber Joists on Glass Vice Anchorjak™ - Attached to wall - Slab Foundation

House Connection Details

Date: Oct 2021
Scale: 1 : 10

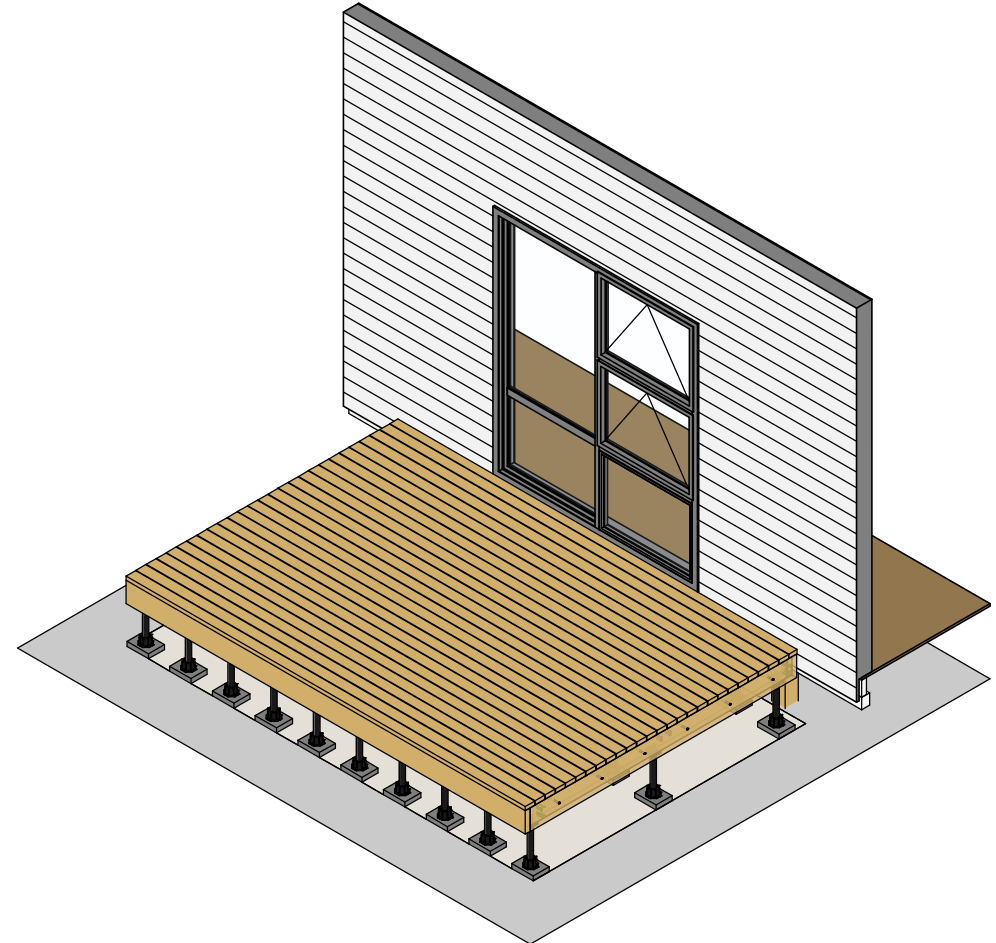
www.glassvice.com
Phone +64 9 414 6565
info@glassvice.com

Quick Code:

GV_TIMBDECK_JMS_055

Sheet Number	Sheet Name
--------------	------------

GV_TIMBDECK_JMT_000	Index
GV_TIMBDECK_JMT_010	Plan View
GV_TIMBDECK_JMT_012	Joist Hanger - JH90
GV_TIMBDECK_JMT_014	Connection - JV88
GV_TIMBDECK_JMT_016	GlassVice Deck Deck Layout
GV_TIMBDECK_JMT_018	Framing Layout
GV_TIMBDECK_JMT_020	Deck Floor Framing
GV_TIMBDECK_JMT_030	Section Views
GV_TIMBDECK_JMT_040	Isometric Views
GV_TIMBDECK_JMT_050	House Connection Detail
GV_TIMBDECK_JMT_055	Connection Details



© 2021. The copyright of this document is the property of Glass Vice Limited and shall not be reproduced, copied, loaned or disposed of directly, or indirectly, nor used for any purpose other than that for which it is specifically furnished without prior consent.

gv_timbdeck_jack_timb_metal_timb.rvt
All dimensions in millimetres



Glass Vice Decks

Timber Deck on Timber Joists on Glass Vice Anchorjak™ - Attached to wall - Timber Subframe

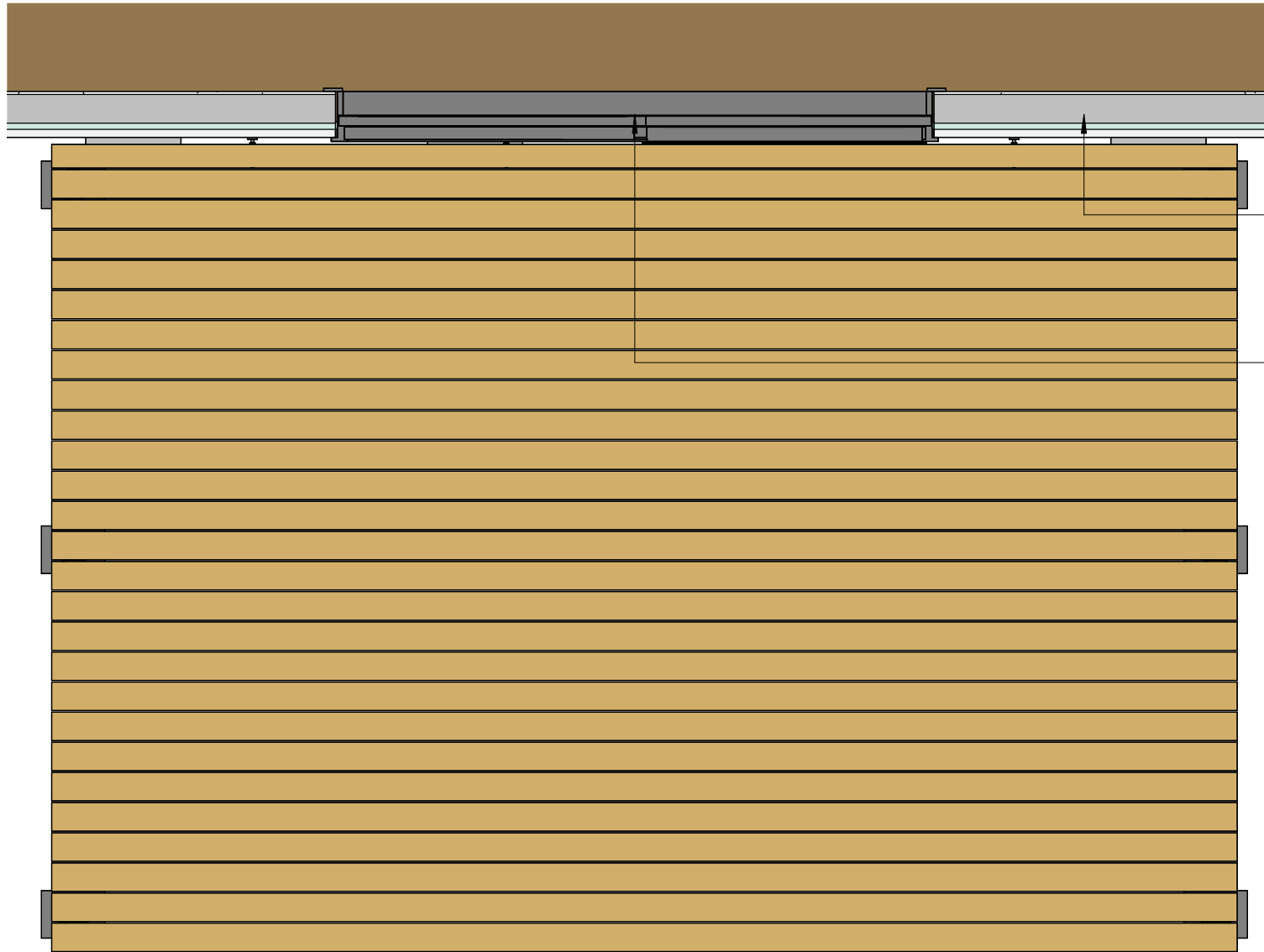
Index

Date: Oct 2021
Scale:

Quick Code:

www.glassvice.com
Phone +64 9 414 6565
info@glassvice.com

GV_TIMBDECK_JMT_000



Exterior wall by others

Opening by others

© 2021. The copyright of this document is the property of Glass Vice Limited and shall not be reproduced, copied, loaned or disposed of directly, or indirectly, nor used for any purpose other than that for which it is specifically furnished without prior consent.

gv_timbdeck_jack_timb_metal_timb.rvt
All dimensions in millimetres



Glass Vice Decks

Timber Deck on Timber Joists on Glass Vice Anchorjak™ - Attached to wall - Timber Subframe

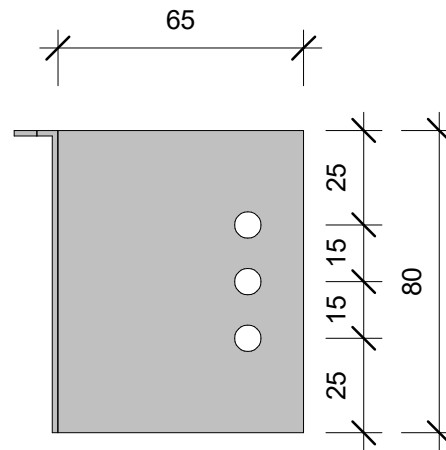
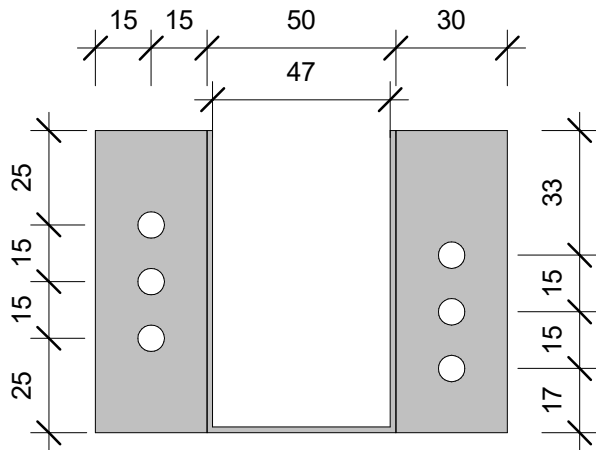
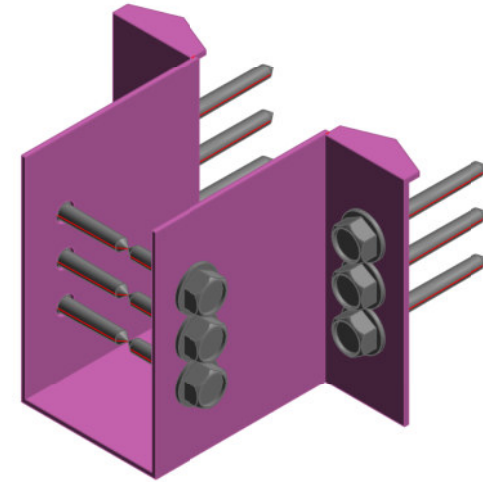
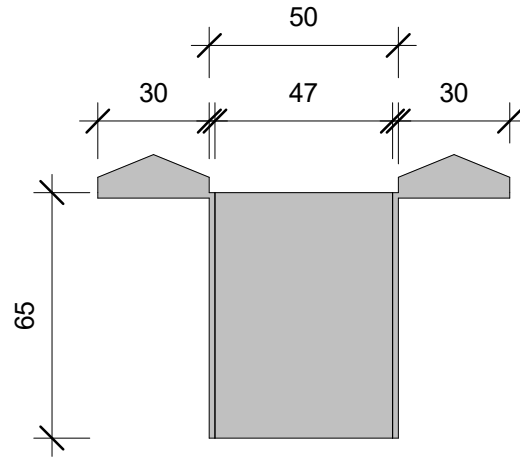
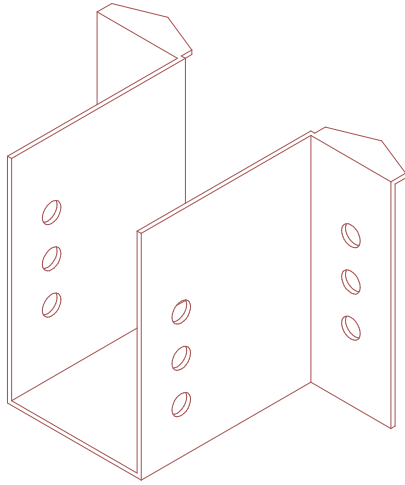
Plan View

Date: Oct 2021
Scale: 1 : 20

www.glassvice.com
Phone +64 9 414 6565
info@glassvice.com

Quick Code:

GV_TIMBDECK_JMT_010



© 2021. The copyright of this document is the property of Glass Vice Limited and shall not be reproduced, copied, loaned or disposed of directly, or indirectly, nor used for any purpose other than that for which it is specifically furnished without prior consent.

gv_timbdeck_jack_timb_metal_timb.rvt
All dimensions in millimetres



Glass Vice Decks

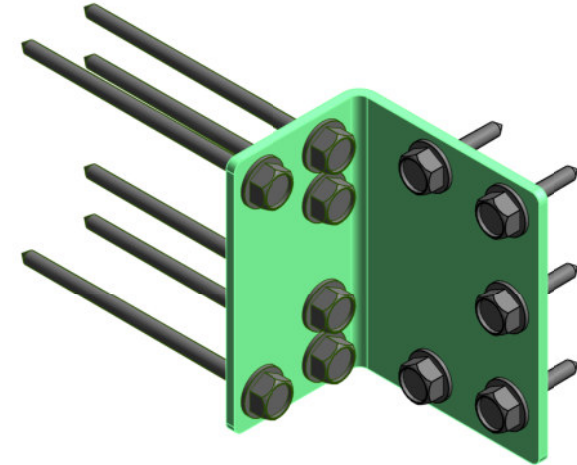
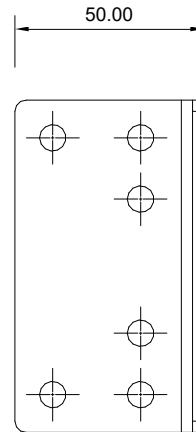
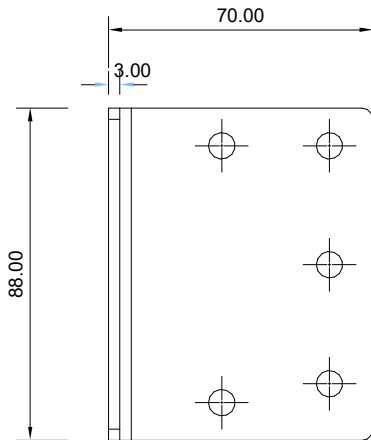
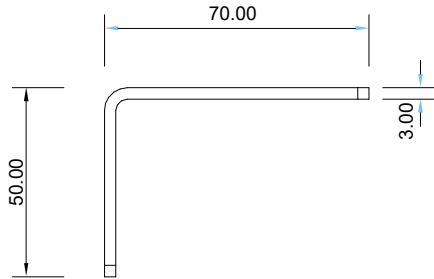
Timber Deck on Timber Joists on Glass Vice Anchorjak™ - Attached to wall - Timber Subframe
Joist Hanger - JH90

Date: Oct 2021
Scale: 1 : 2

www.glassvice.com
Phone +64 9 414 6565
info@glassvice.com

Quick Code:

GV_TIMBDECK_JMT_012



© 2021. The copyright of this document is the property of Glass Vice Limited and shall not be reproduced, copied, loaned or disposed of directly, or indirectly, nor used for any purpose other than that for which it is specifically furnished without prior consent.

gv_timbdeck_jack_timb_metal_timb.rvt
All dimensions in millimetres



Glass Vice Decks

Timber Deck on Timber Joists on Glass Vice Anchorjak™ - Attached to wall - Timber Subframe

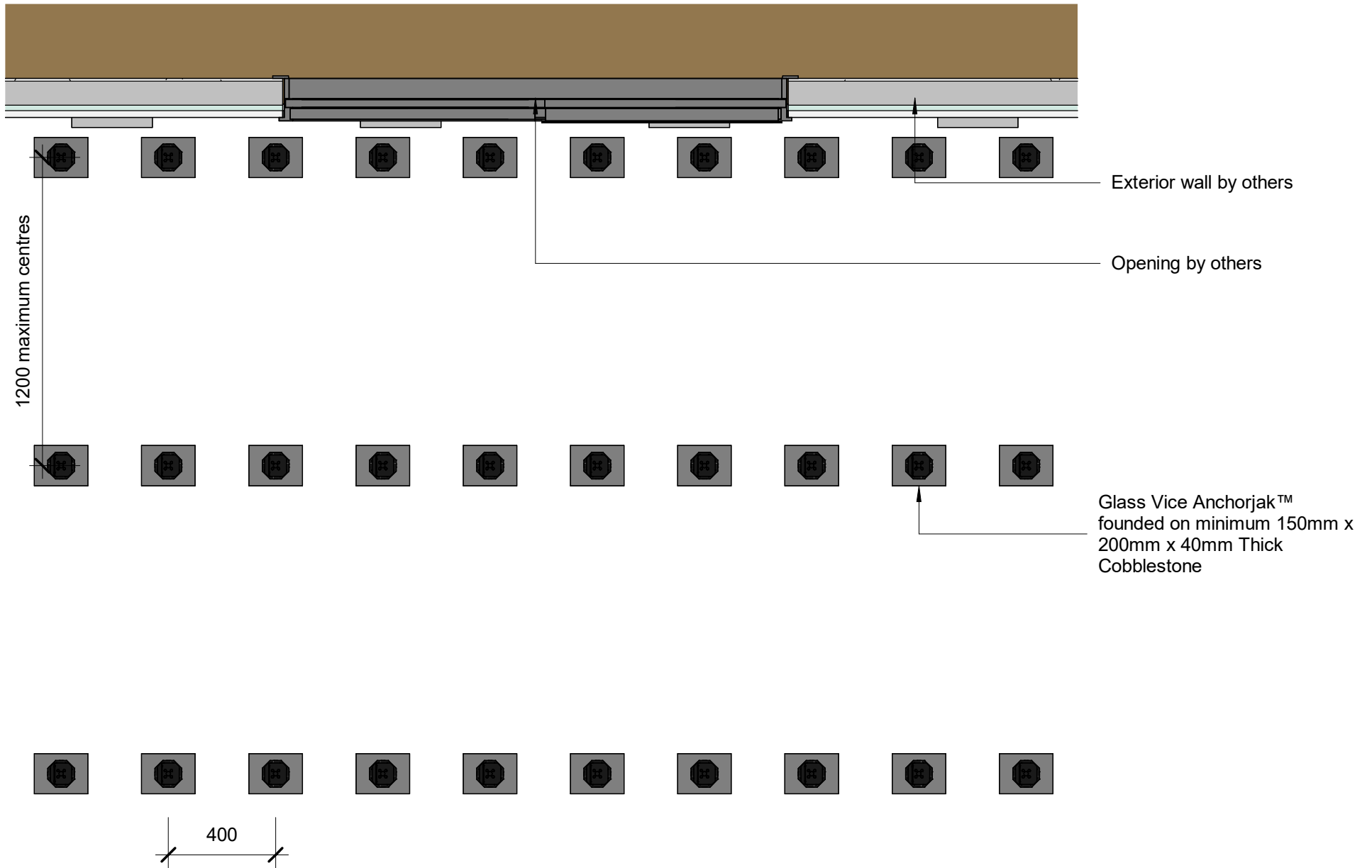
Connection - JV88

Date: Oct 2021
Scale: 1 : 2

www.glassvice.com
Phone +64 9 414 6565
info@glassvice.com

Quick Code:

GV_TIMBDECK_JMT_014



© 2021. The copyright of this document is the property of Glass Vice Limited and shall not be reproduced, copied, loaned or disposed of directly, or indirectly, nor used for any purpose other than that for which it is specifically furnished without prior consent.

gv_timbdeck_jack_timb_metal_timb.rvt
All dimensions in millimetres



Glass Vice Decks

Timber Deck on Timber Joists on Glass Vice Anchorjak™ - Attached to wall - Timber Subframe

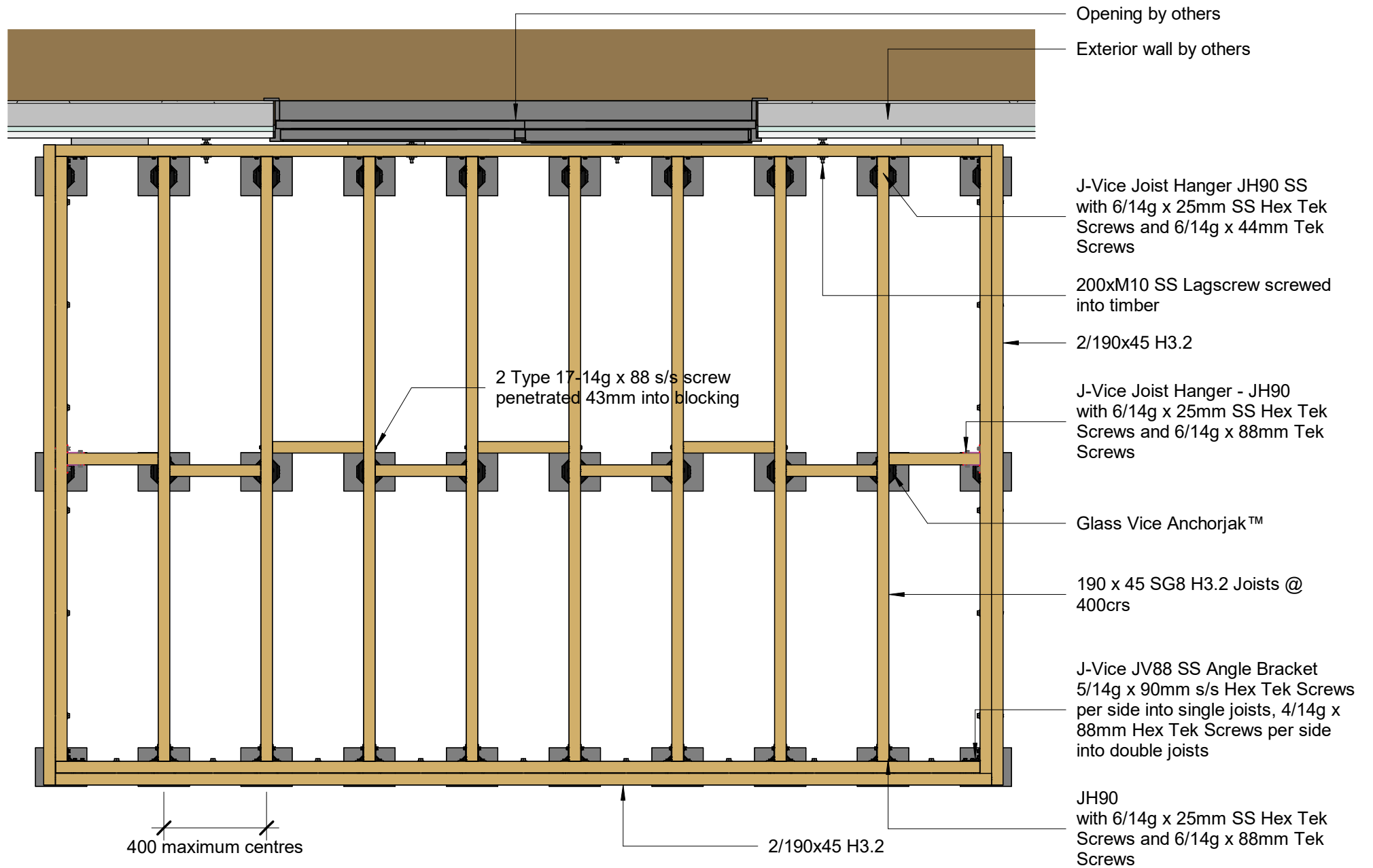
GlassVice Deck Deck Layout

Date: Oct 2021
Scale: 1 : 20

www.glassvice.com
Phone +64 9 414 6565
info@glassvice.com

Quick Code:

GV_TIMBDECK_JMT_016



© 2021. The copyright of this document is the property of Glass Vice Limited and shall not be reproduced, copied, loaned or disposed of directly, or indirectly, nor used for any purpose other than that for which it is specifically furnished without prior consent.

gv_timbdeck_jack_timb_metal_timb.rvt
All dimensions in millimetres



Glass Vice Decks

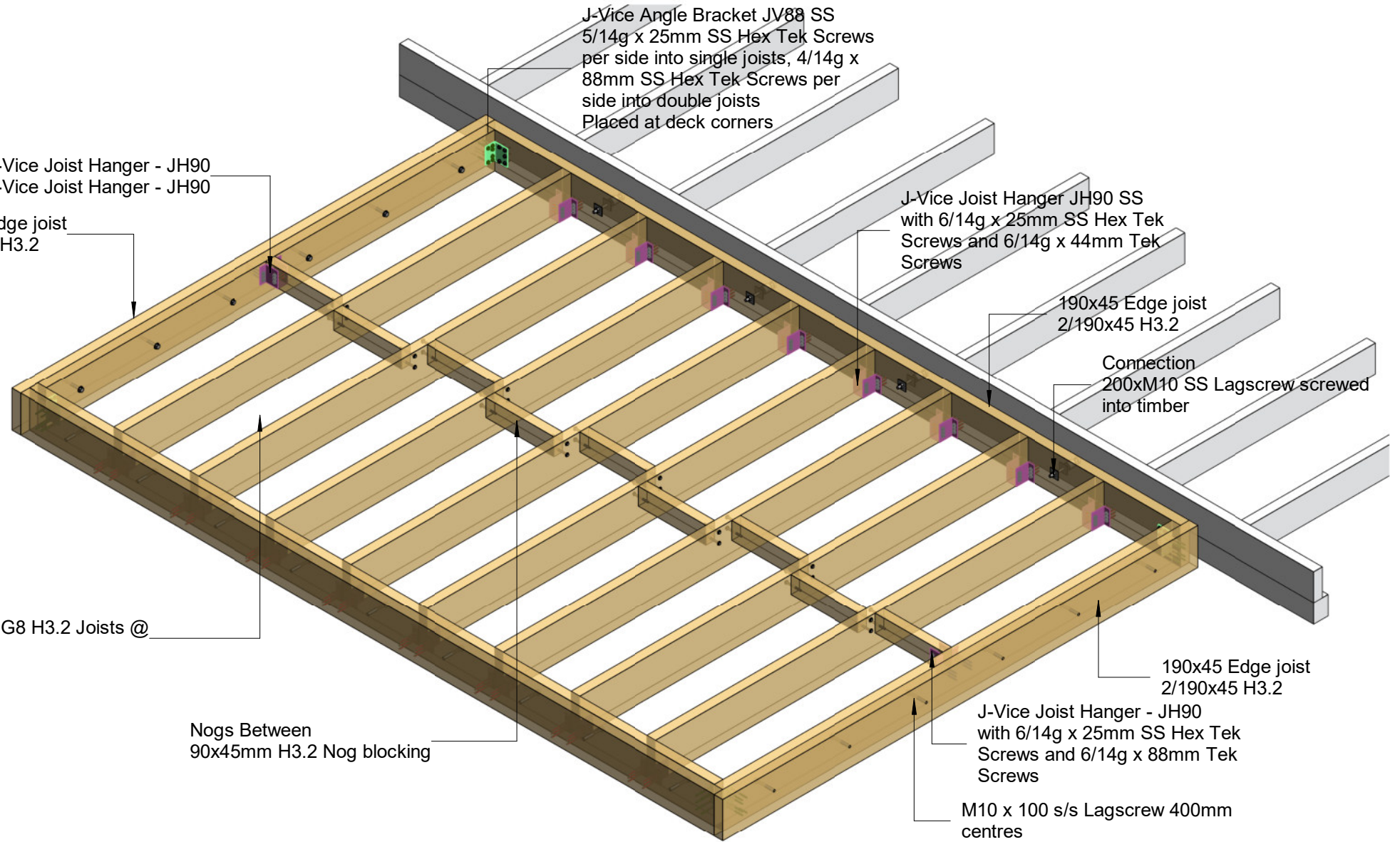
Timber Deck on Timber Joists on Glass Vice Anchorjak™ - Attached to wall - Timber Subframe Framing Layout

Date: Oct 2021
Scale: 1 : 20

www.glassvice.com
Phone +64 9 414 6565
info@glassvice.com

Quick Code:

GV_TIMBDECK_JMT_018



© 2021. The copyright of this document is the property of Glass Vice Limited and shall not be reproduced, copied, loaned or disposed of directly, or indirectly, nor used for any purpose other than that for which it is specifically furnished without prior consent.

gv_timbdeck_jack_timb_metal_timb.rvt
All dimensions in millimetres



Glass Vice Decks

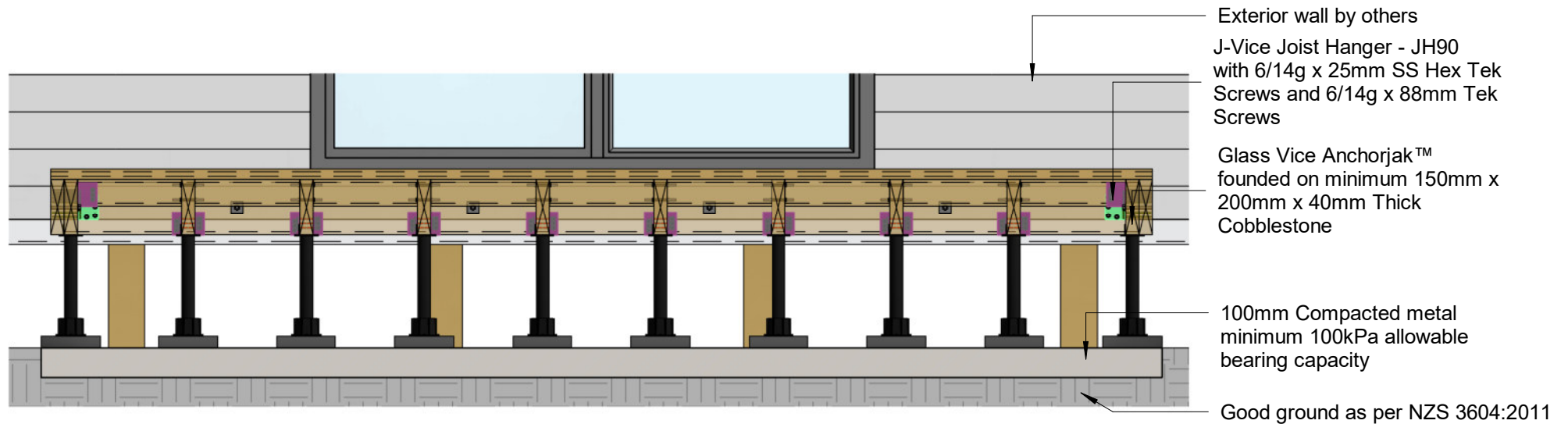
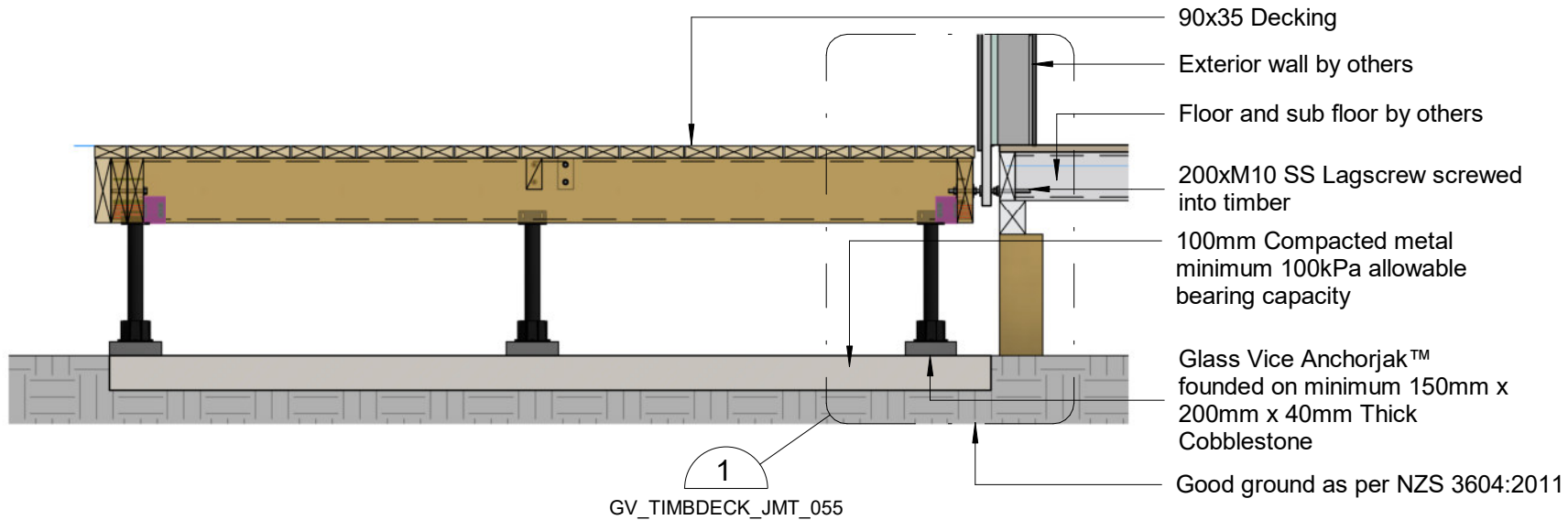
Timber Deck on Timber Joists on Glass Vice Anchorjak™ - Attached to wall - Timber Subframe
Deck Floor Framing

Date: Oct 2021
Scale:

www.glassvice.com
Phone +64 9 414 6565
info@glassvice.com

Quick Code:

GV_TIMBDECK_JMT_020



© 2021. The copyright of this document is the property of Glass Vice Limited and shall not be reproduced, copied, loaned or disposed of directly, or indirectly, nor used for any purpose other than that for which it is specifically furnished without prior consent.

gv_timbdeck_jack_timb_metal_timb.rvt
All dimensions in millimetres



Glass Vice Decks

Timber Deck on Timber Joists on Glass Vice Anchorjak™ - Attached to wall - Timber Subframe

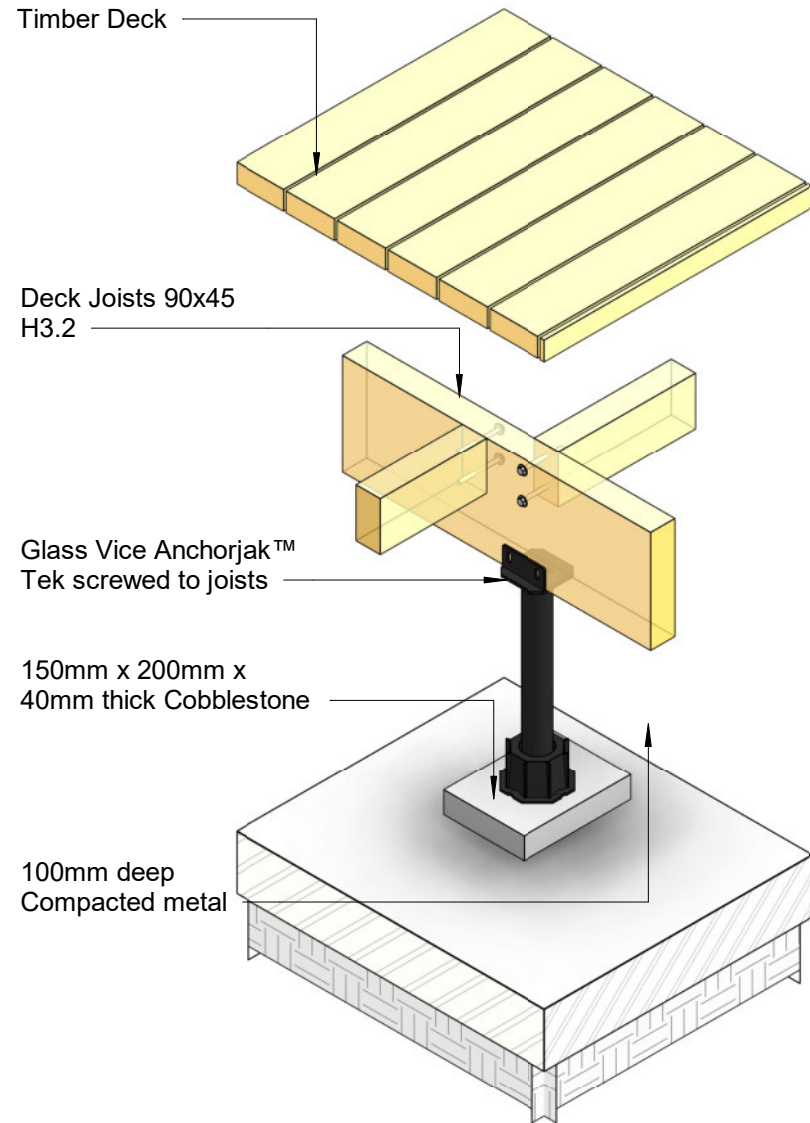
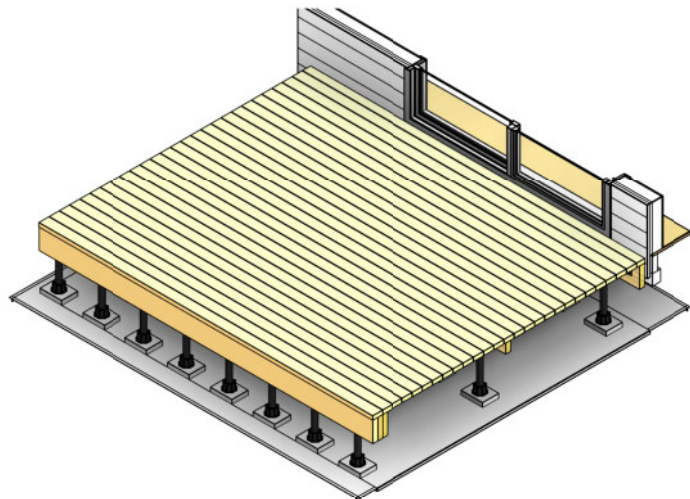
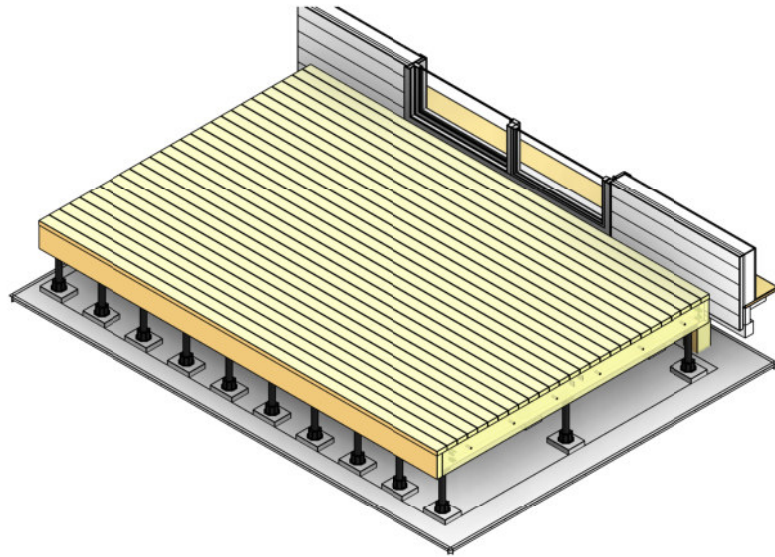
Section Views

Date: Oct 2021
Scale: 1 : 20

www.glassvice.com
Phone +64 9 414 6565
info@glassvice.com

Quick Code:

GV_TIMBDECK_JMT_030



© 2021. The copyright of this document is the property of Glass Vice Limited and shall not be reproduced, copied, loaned or disposed of directly, or indirectly, nor used for any purpose other than that for which it is specifically furnished without prior consent.

gv_timbdeck_jack_timb_metal_timb.rvt
All dimensions in millimetres



Glass Vice Decks

Timber Deck on Timber Joists on Glass Vice Anchorjak™ - Attached to wall - Timber Subframe

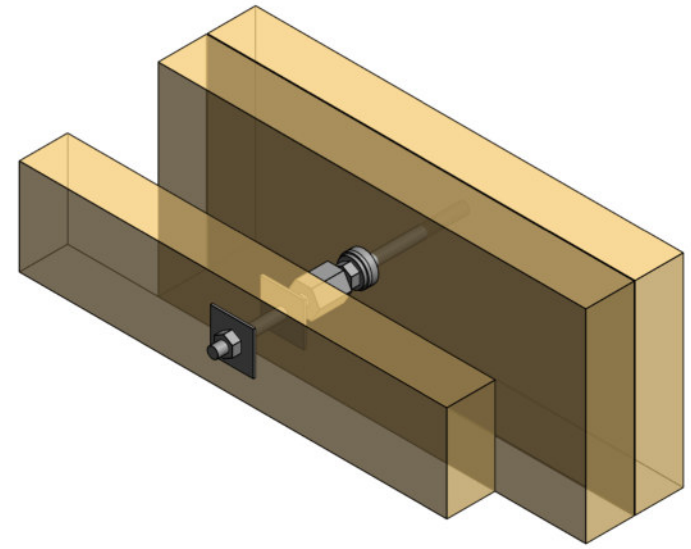
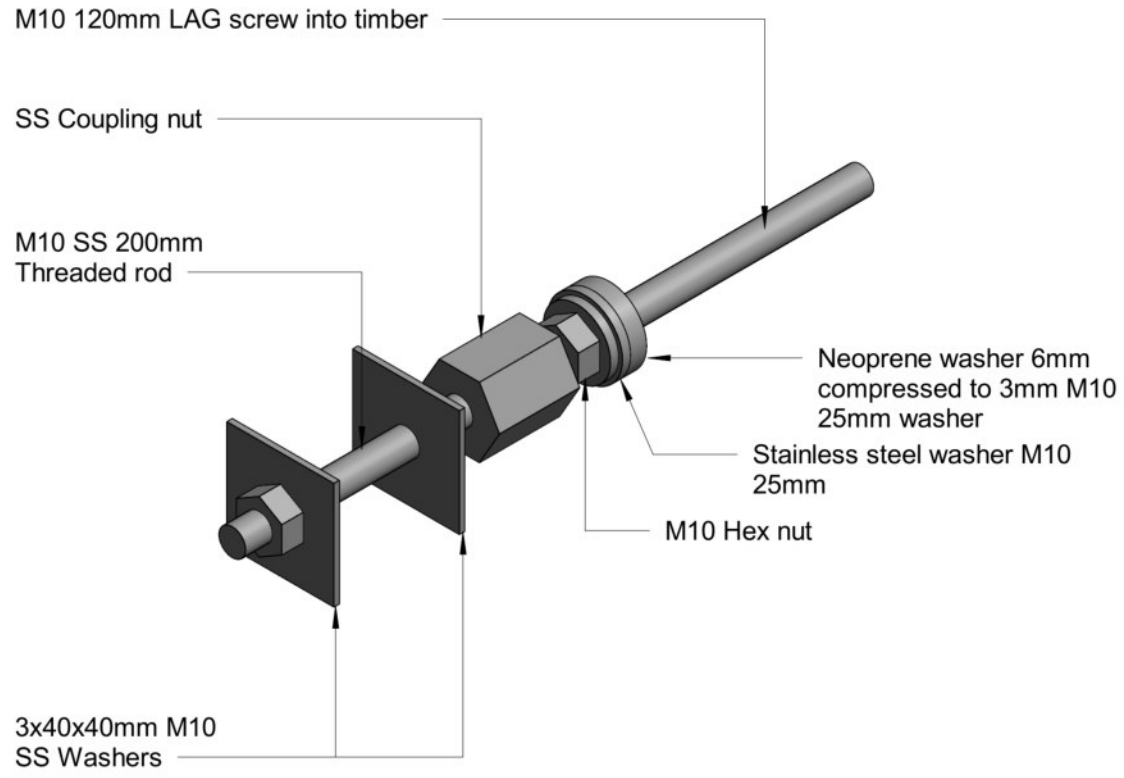
Isometric Views

Date: Oct 2021
Scale:

Quick Code:

www.glassvice.com
Phone +64 9 414 6565
info@glassvice.com

GV_TIMBDECK_JMT_040



© 2021. The copyright of this document is the property of Glass Vice Limited and shall not be reproduced, copied, loaned or disposed of directly, or indirectly, nor used for any purpose other than that for which it is specifically furnished without prior consent.

gv_timbdeck_jack_timb_metal_timb.rvt
All dimensions in millimetres



Glass Vice Decks

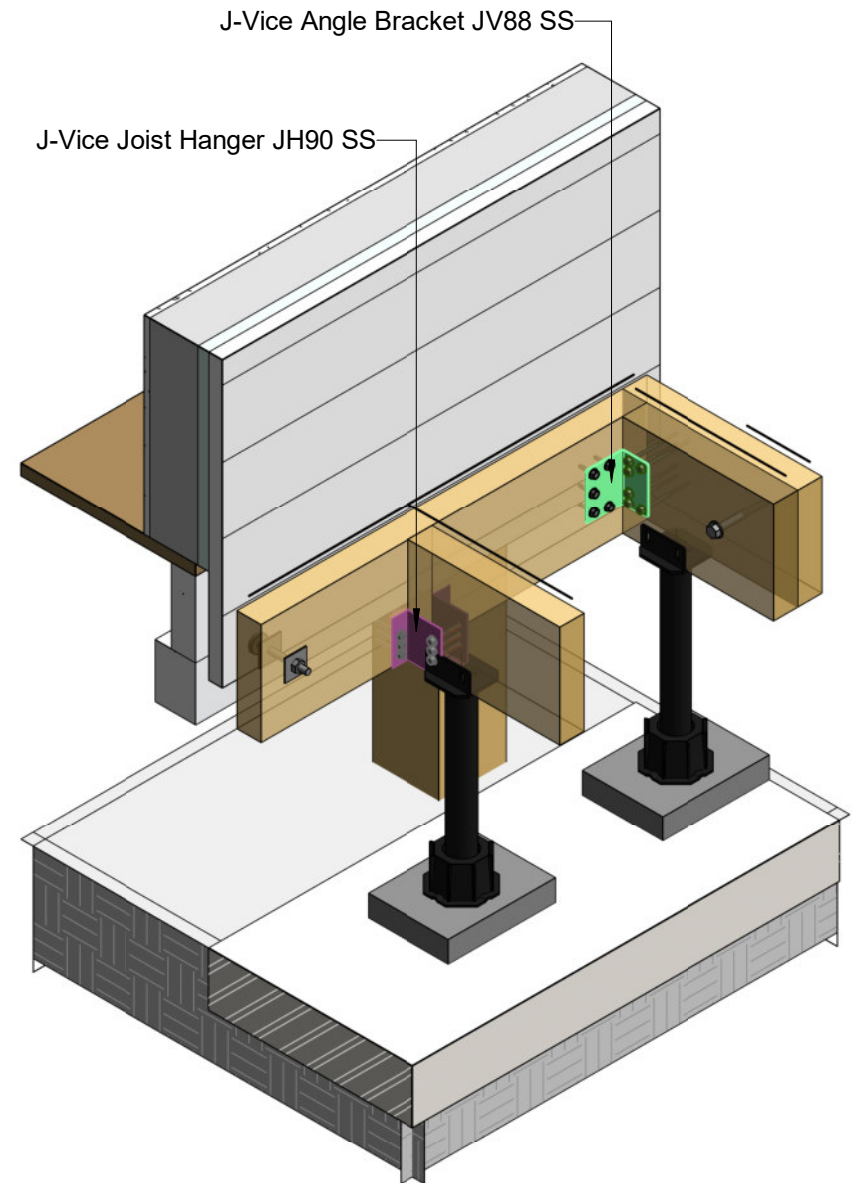
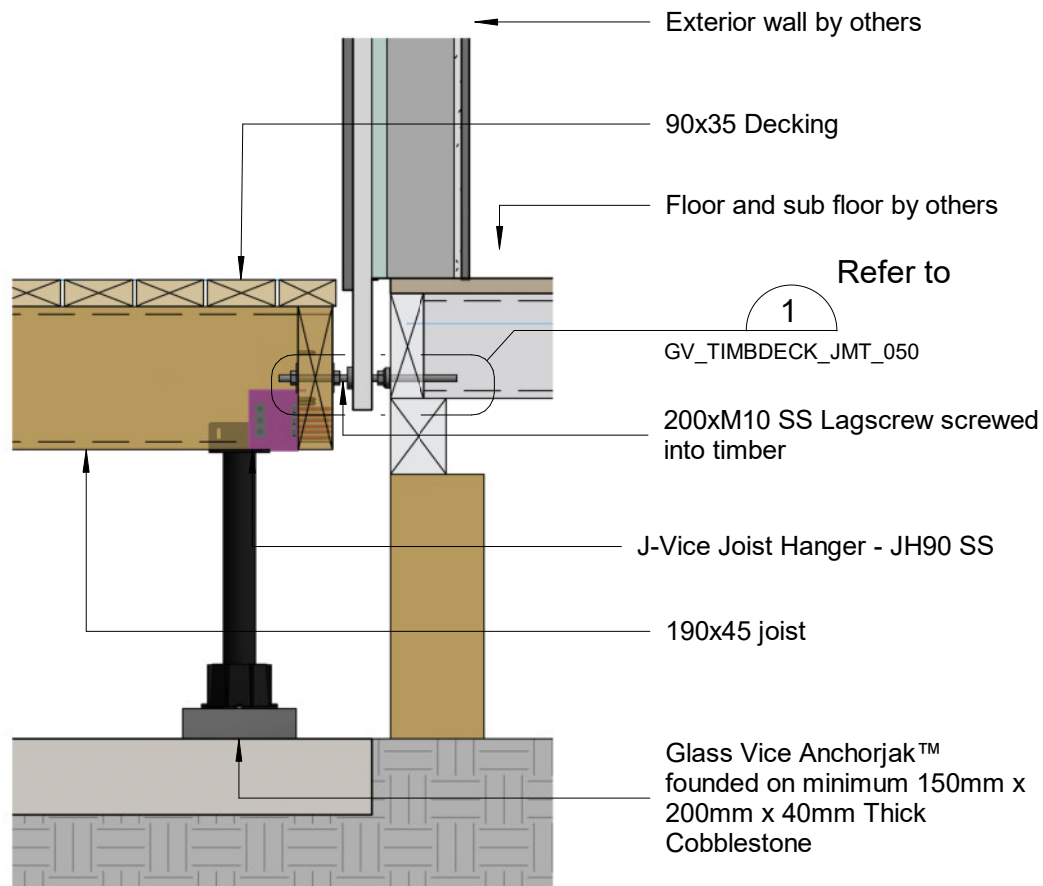
Timber Deck on Timber Joists on Glass Vice Anchorjak™ - Attached to wall - Timber Subframe
House Connection Detail

Date: Oct 2021
Scale: 1 : 5

www.glassvice.com
Phone +64 9 414 6565
info@glassvice.com

Quick Code:

GV_TIMBDECK_JMT_050



© 2021. The copyright of this document is the property of Glass Vice Limited and shall not be reproduced, copied, loaned or disposed of directly, or indirectly, nor used for any purpose other than that for which it is specifically furnished without prior consent.

gv_timbdeck_jack_timb_metal_timb.rvt
All dimensions in millimetres



Glass Vice Decks

Timber Deck on Timber Joists on Glass Vice Anchorjak™ - Attached to wall - Timber Subframe

Connection Details

Date: Oct 2021
Scale: 1 : 10

www.glassvice.com
Phone +64 9 414 6565
info@glassvice.com

Quick Code:

GV_TIMBDECK_JMT_055