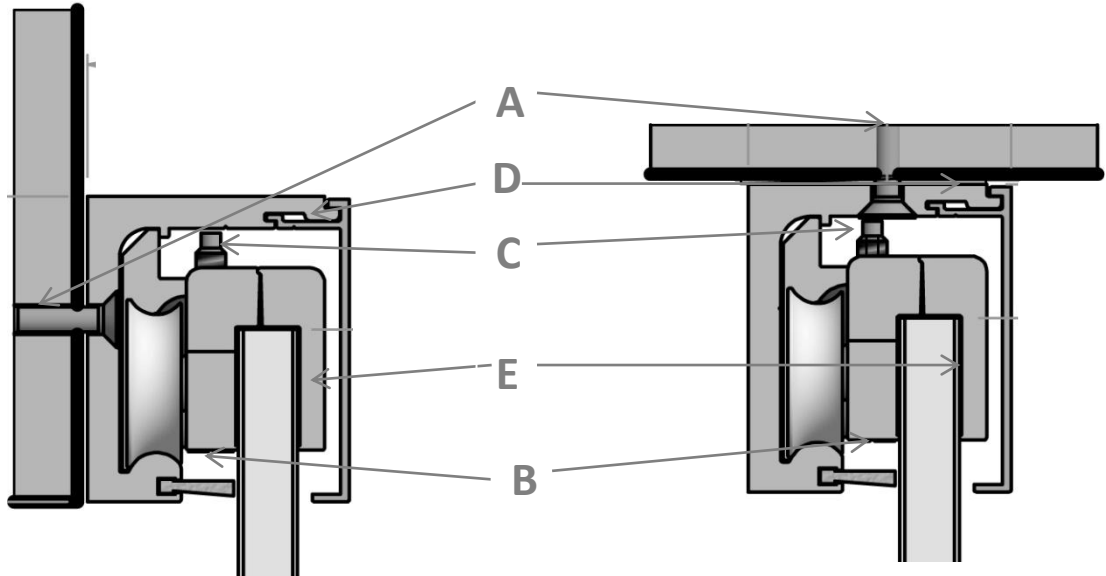
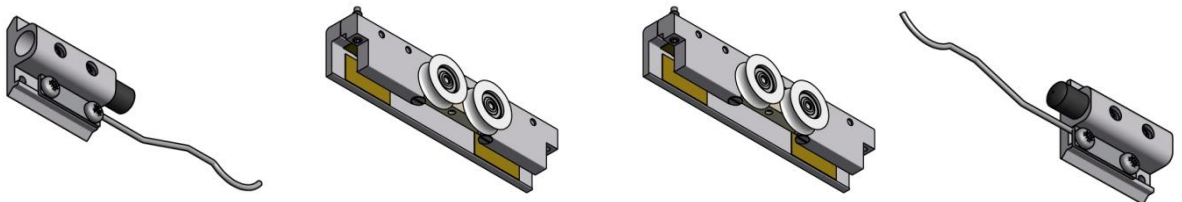


SPECIALITY FRAMELESS DOOR SYSTEMS

Glass Glide Installation Guide

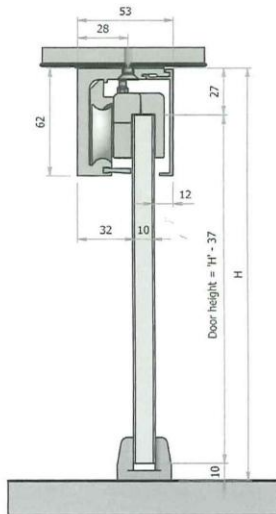


- A. To fix the track into the ceiling or wall use 10 gauge CSK screws at 300mm to 600mm centre's. Ensure screw heads are counter sunk flush into the track
- B. Once the door and hangers are installed onto the track and the door is fitted you can then if required use the height adjustment allen screw to raise or lower the door.
- C. Adjust the anti jump screw so it clears the underside of the track by 1mm to 2mm max.
- D. To secure the pelmet cover in place use several short beads of silicon between the track and pelmet cover. For a 2000mm track use 3 beads of silicon at 2mm x 20mm long.
- E. **Note:** Clamps have gaskets glued in place for 12mm glass. For 10mm glass use the additional 2mm thick gasket . Fix these to outer section of the clamps.

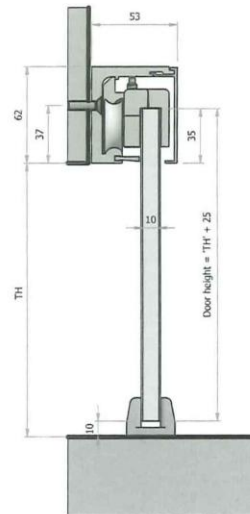


SPECIALITY FRAMELESS DOOR SYSTEMS

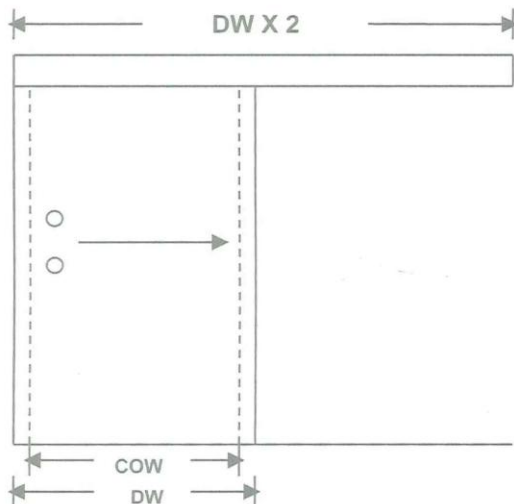
Glass Glide Installation Guide



Ceiling fix
 To determine door height
 H = Overall opening height
 DH = Glass door height
 DH = H less 37mm



Wall fix
 To determine door height
 TH = Opening height to underside of transom
 DH = Glass door height
 DH = TH plus 25mm



To determine door width
 COW = Clear opening width
 DW = Door width
 Doors typically overlap the clear opening by 35mm each side
 Eg. DW = COW + 70mm
 Track length is 2 x door width