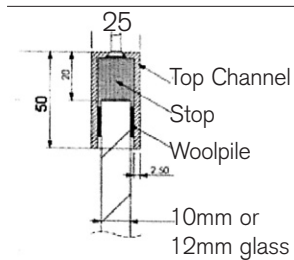
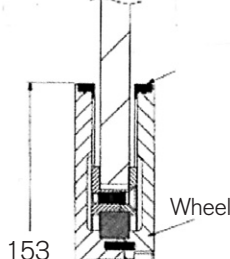
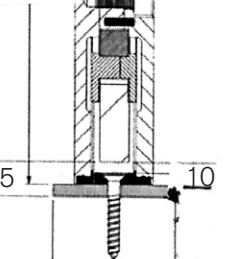
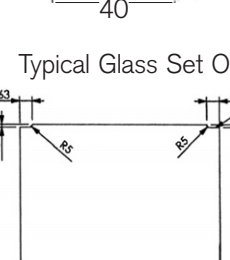
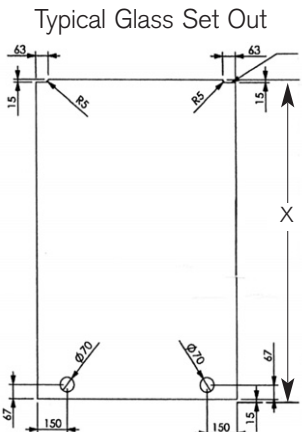


## SPECIALITY FRAMELESS DOOR SYSTEMS

### Linear 153 Sliding Door System

Specify 10mm or 12mm glass thickness

Product	Code	Description	Per Set
		<b>Bottom Rolling Sliding Door</b> Max door weight 250kg Each door kit contains: 2 x 153 Wheels Satin Stainless Steel 2 x Top Channel stops 2 x Top Channel Natural Anodised 1 x Bottom Channel Natural Anodised	
	L153-1000	Door kit for one door up to 1000m wide All components as above Track & Channel 2000mm	
	L153-1500	Door kit for one door up to 1500m wide All components as above Track & Channel 3000mm	
	L153-2000	Door kit for one door up to 2000m wide All components as above Track & Channel 4000mm	
		<b>Components</b>	<b>Per Metre</b>
	L153-T40	Additional Bottom Track	
	L153-C50	Additional Top Channel	
		Side mount channel Fittings available on request	P.O.A.
		System can be used with multiple lines of track for several doors opening in the same direction and biparting applications	P.O.A.

X = height of door which is finished opening height less 35mm

Note: Allow for selected handle glass preparation