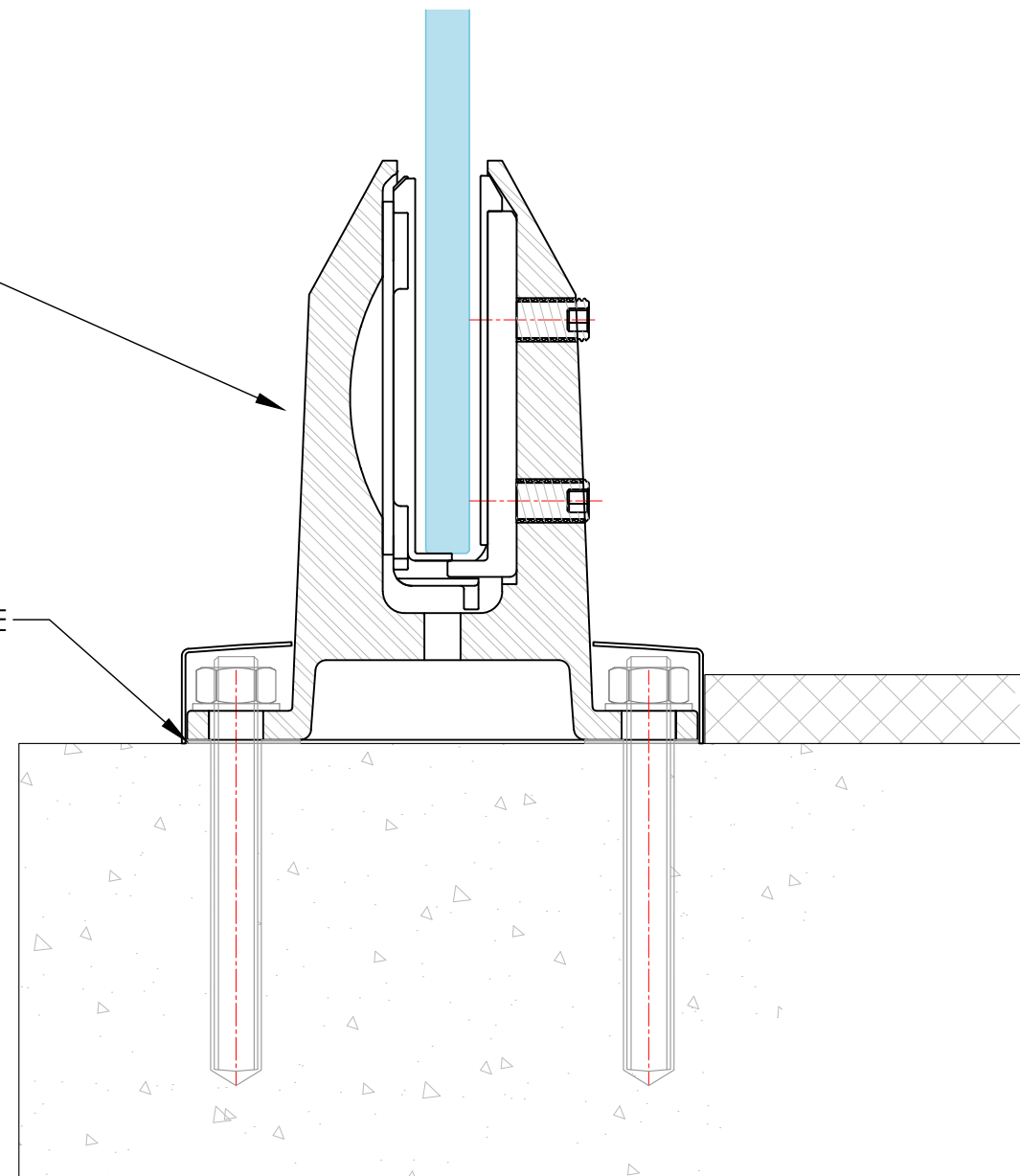


METRO PERFORMANCE GLASS
STRUTPOST SP160B HARDWARE SYSTEM
GLASS HEIGHT, THICKNESS & TYPE TBC
RAIL DETAILS TBC

WASHER BETWEEN STRUTPOST & SUBSTRATE



NOTES:

- 1) REFER TO DESIGN TABLES AND ELEVATIONS FOR BARRIER POST FAILURE REQUIREMENTS. INTERLINKING RAIL / CLIPS NOT SHOWN FOR CLARITY.
- 2) REFER TO STRUTPOST SP160B BALUSTRADE SYSTEM DESIGN TABLE FOR REQUIRED GLASS THICKNESS, FIXING SPACINGS AND FIXING LOADS ACCORDING TO AS/NZS 1170.1:2002 FOR THE APPLICABLE OCCUPANCY.
- 3) CAPACITY OF STRUCTURE IS TO BE OF SUFFICIENT STRENGTH TO SUPPORT LOADS M*, V* & T* SPECIFIED ON THE STRUTPOST SP160B BALUSTRADE SYSTEM DESIGN TABLE. STRUCTURE CAPACITY TO BE VERIFIED BY BUILDING ENGINEER PRIOR TO FIXING BALUSTRADE.
- 4) ANY MEMBRANE PENETRATION MUST BE COMPLETED IN ACCORDANCE WITH WRITTEN INSTRUCTIONS OF MEMBRANE MANUFACTURER.
- 5) NO SUBSTITUTION ALLOWED - ANY VARIATION FROM THE GENERIC PS1 DETAILS AND DESIGN TABLES WILL REQUIRE SPECIFIC DESIGN.



CAD Drawing Disclaimer:

All intellectual property rights (including, without limitation, all copyright and design rights) subsisting in the CAD drawings and related information belongs to Metro Performance Glass.
The USER may not, under any circumstances use or allow the use of, in part or whole, Metro Performance Glass CAD drawings with any product or system other than Metro Performance Glass products and or component parts specified within the drawing and connected PS1 documentation.
The reproduction and use of this material is only authorised for purposes connected with the specification or use of Metro Performance Glass products and systems. The USER of this information is authorised to reproduce and distribute exact copies or exact extracts of CAD drawings for the sole purpose of detailing, specifying, using, and promoting the use of Metro Performance Glass products and systems.
This information may not contain the full details required for construction. It is the USER's responsibility to ensure full building performance specifications and to ensure specification and installation of Metro Performance Glass products and systems are in accordance with Metro Performance Glass publications and PS1 documents. Appropriate expert advice should always be obtained to ensure suitability of these drawings for your specific application.
Metro Performance Glass accepts no responsibility or liability for any loss or damage caused to the USER or any third party through any use of the CAD drawings or related information, which use contravenes these terms of use, including but not limited to, any use of the CAD drawings and related information:
a- with any product or system other than Metro Performance Glass products or systems; and
b- where the CAD drawings and related information are modified in any way.

**The USER is deemed to accept these terms of use.
IF YOU DO NOT AGREE TO THE TERMS OF USE, DO NOT USE THE METRO PERFORMANCE GLASS CAD DRAWINGS.**