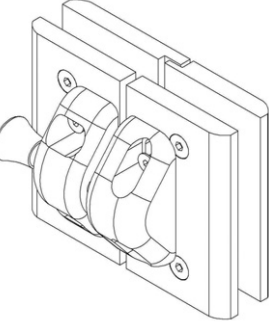
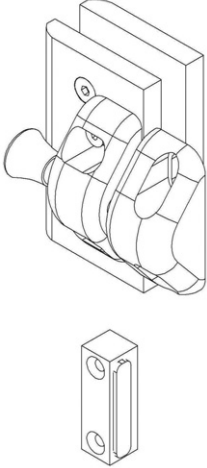


FRAMELESS BALUSTRADE SYSTEMS

Biloba Hydraulic Pool Gate Latches

Product	Code	Description	Nat Anodised
	BGL	Glass to Glass Pool Gate Latch Suit 10mm & 12mm glass	
	BGL-P	Glass to Post Pool Gate Latch Complete with MP28 Stop	

Glass preparation see page 5.33