

## PRODUCT VE1260

HIGH SECURITY MOTORISED DROP BOLT WITH PRE-LOAD CAPABILITY EcoLock™

NEW GENERATION ELECTRIC AND ELECTRONIC LOCKING  [www.fshlocking.com.au](http://www.fshlocking.com.au)



### PRODUCT DESCRIPTION

The patented EcoLock VE1260 is a high torque motor driven Drop Bolt with up to 35kg pre-load/ side load tolerance. It can be installed vertically in the door frame (lock style) or horizontally in the frame header and has a symmetric dead-bolt mechanism to allow to be used on 180° degree swing through doors.

The VE1260 is considered a "Green Product" as it consumes an inrush current of 290mA@12VDC **only** during locking and unlocking action (Active Mode), then in the locked or unlocked state (Sleep-Mode), the Drop Bolt consumes current less than 15mA@12VDC.

A series of additional Strike Plates allow for door misalignment of up to ±12mm and a retrofit version of the FSH Eco Lock is available to suit the PADDE/ TRIMEC ES8000 drop bolt footprint.

An optional LED red/green indicator unit is available.

VE1260

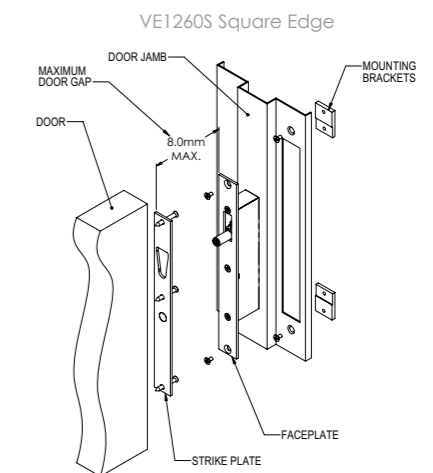
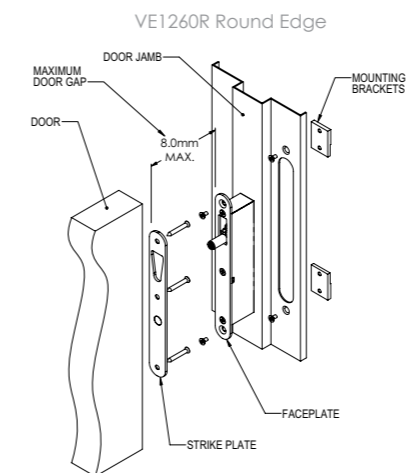
### TECHNICAL DETAILS

PART NO.	VE1260
FUNCTION	Mortise Mount, power-to-lock/power-to-release field interchangeable, up to 35kg of Pre-Load capability, unlocking and up to 6.5kg locking
HOLDING STRENGTH	Up to 1000kg
VOLTAGE/CURRENT	Multi Voltage 12-30VDC Active Mode: Locking/Unlocking cycle current is 0.29A to 0.85A depending on the side load. More side load = more current. See preload vs. current graph. Sleep-Mode: After locking/unlocking the current drops down to ~0.015A (15mA)
APPROVALS	CE C-Tick Fire rated in accordance with AS1905.1.2005 Part 1 to up to 4 hours on fire door assemblies
MONITORING	Lock Status Sensor of the internal locking mechanism Door Status Sensor Built-in Reed Switch, monitoring the door position
ENVIRONMENTAL	Operational Temperature Range -20° to +60°C
DURABILITY	Exceeding Australian Standard AS4145.2-2008 400,000 operating cycles • Durability D7
STRENGTH	Meeting Australian Standard AS4145.2-2008 • Static Strength S8 • Impact Strength S8
MAXIMUM DOOR GAP	8mm
DOOR MISALIGNMENT	Standard Strike Plate ± 4mm Special Strike Plate up to ± 12mm

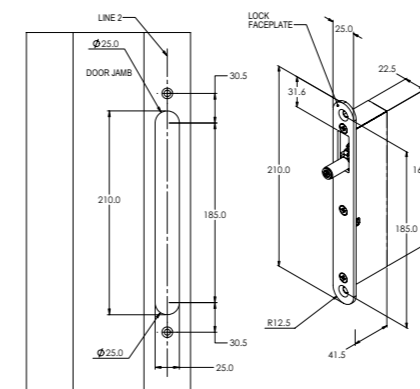
### PRODUCT FEATURES

- Releases with up to 35kg of Pre-Load/Side Load
- Motorised locking device
- Durability tested to 400,000 cycles
- Multi voltage from 12 to 30VDC
- Sleep-Mode Current less than 15mA@12VDC
- Fully monitored including Reed Switch for door position
- Up to 1000kg Holding Strength
- 5 year warranty
- Retrofit version for Trimec/PADDE ES8000 (VE1260S Square Edge Version)

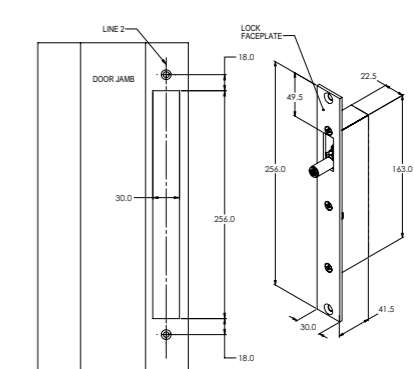
### PRODUCT DIMENSIONS AND INSTALLATION



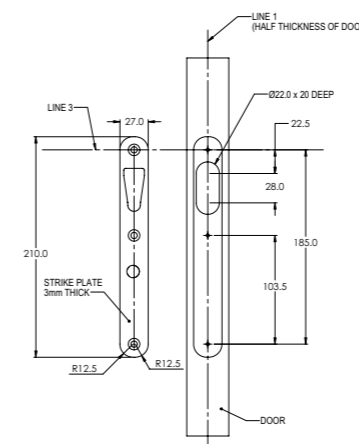
Locking Device VE1260R Round Edge



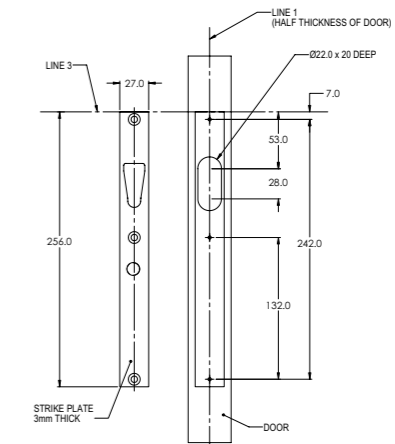
Locking Device VE1260S Square Edge



Strike Plate VE1260R Round Edge

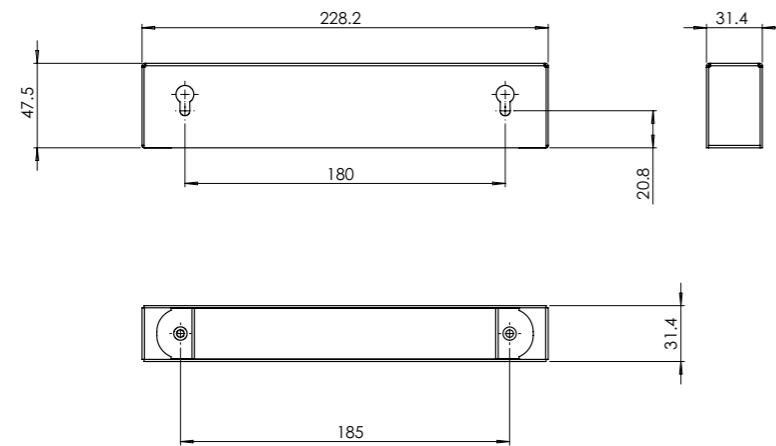


Strike Plate VE1260S Square Edge

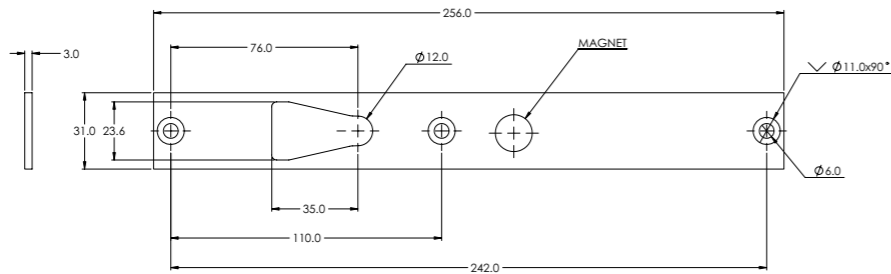


PRODUCT DIMENSIONS AND INSTALLATION

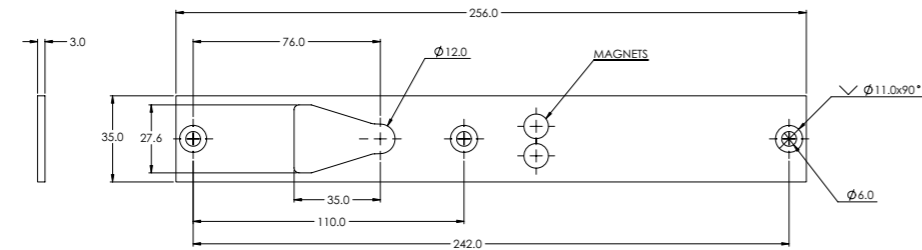
Glass Door Box **VE1260R-GL**



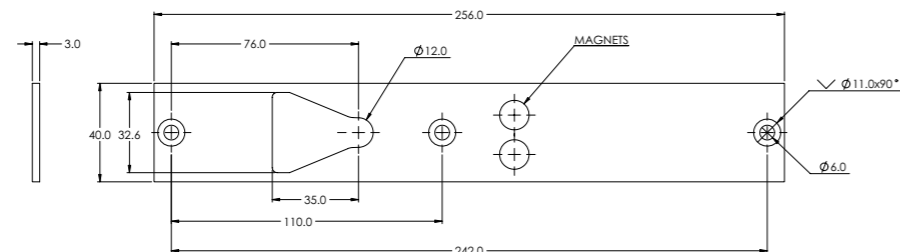
Accessory Strike Plate **VE1260S-ST6**



Accessory Strike Plate **VE1260S-ST9**



Accessory Strike Plate **VE1260S-ST12**



ORDER DETAILS

PART NO.	PRODUCT DESCRIPTION
<b>ECOLOCK VE1260 SERIES</b>	
VE1260R	EcoLock Pre-Load Drop Bolt 25mm Face Plate including 27mm Strike Plate ROUND EDGE to cater for +4mm door misalignment
VE1260S	EcoLock Pre-Load Drop Bolt 30mm Face Plate including 27mm Strike Plate SQUARE EDGE to cater for +4mm door misalignment (PADDE ES8000 Replacement)
<b>ACCESSORIES VE1260 SERIES</b>	
VE1260R-GL	Glass Door Box for VE1260R Lock or VE1260R-ST4 Strike Plate ROUND EDGE
VE1260LED-BOX	LED Monitor Box for Lock-Status Monitoring Indication (Red/Green)
VE1260R-SCEC	Security Bracket for VE1260R
VE1260S-ST6	Strike Plate 31mm for VE1260 Series to cater for +6mm door misalignment minimum Door Thickness 35mm SQUARE EDGE
VE1260S-ST9	Strike Plate 35mm for VE1260 Series to cater for +9mm door misalignment minimum Door Thickness 40mm SQUARE EDGE
VE1260S-ST12	Strike Plate 40mm for VE1260 Series to cater for +12mm door misalignment minimum Door Thickness 50mm SQUARE EDGE

CURRENT VS. PRELOAD GRAPH

