

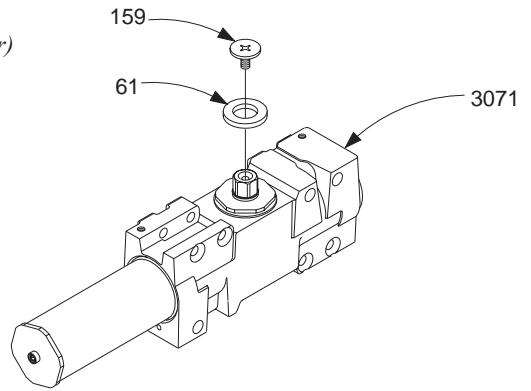
Cylinder Assemblies

4040SE-3071	Cylinder Assembly	F
	<i>Includes screw pack (WMS standard – please specify other)</i>	
	<i>Cylinder assembly is adjustable for sizes 3 and 4</i>	

Individual Cylinder Parts

Individual cylinder parts for 4040SE-3071

4040SE-61	Shaft Spacer	
4040SE-159	Arm Screw	F



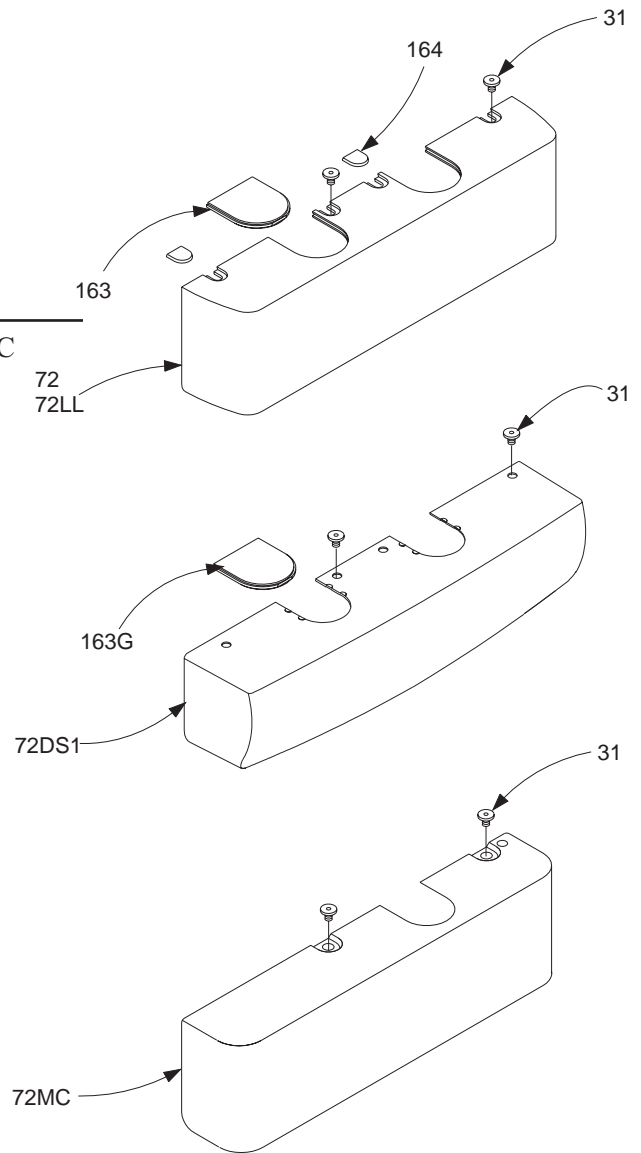
Covers

4040SE-72	Standard Cover	F
	<i>Includes 4040SE-31 (2), -163, & -164 (2)</i>	
4040SE-72LL	Lead Lined Cover	F
	<i>Includes 4040SE-31 (2), -163, & -164 (2)</i>	
4040SE-72DS1	Designer Series Metal Cover	F
	<i>Includes 4040SE-31 (2), -163G</i>	
4040SE-72MC	Metal Cover	F, H
	<i>Includes 4040SE-31 (2)</i>	

Individual Cover Parts

Individual cover parts for 4040SE-72, -72DS1, -72LL, & -72MC

4040SE-31	Cover Screw	F
4040SE-163	Arm Insert	F
4040SE-163G	Arm Insert (DS1)	F
4040SE-164	Screw Insert	F



Please specify finish (F), size (S), hand (H), & voltage (V) where indicated. See the latest edition of the LCN Catalog for part descriptions and specifications on many of the items shown above. List prices for items shown above can be located in the current LCN Price List.

LCN 4040SE SERIES "Sentronic"

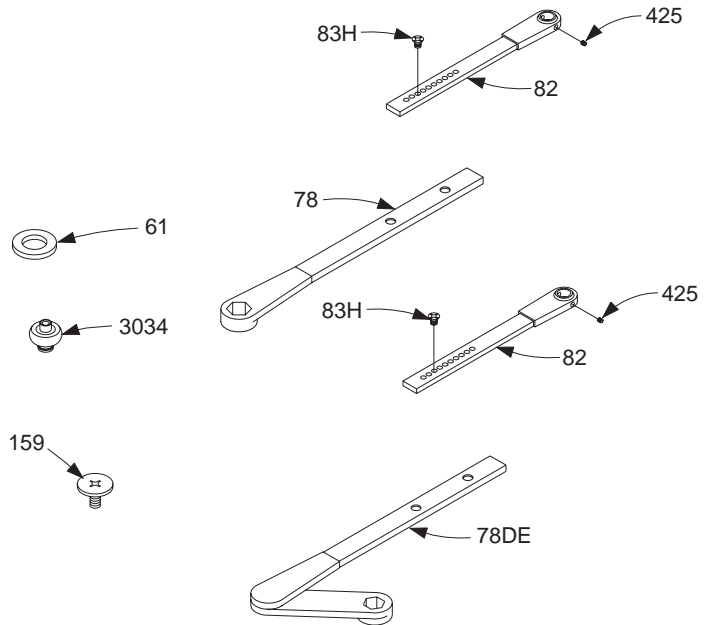
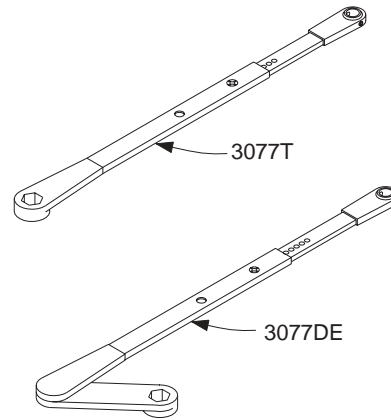
Arm Assemblies

4040SE-3077T	Standard Arm	F
	<i>Includes 4040SE-78, -82, -83H, -159 & -425</i>	
4040SE-3077DE	Double Egress Arm	F, H
	<i>Includes 4040SE-78DE, -82, -83H, -159 & -425</i>	

Individual Arm Parts

Individual arm parts for 4040SE-3077T & 4040SE-3077DE

4040SE-61	Shaft Spacer	F
4040SE-78	Arm & Tube	F
	<i>Includes 4040SE-159</i>	
4040SE-78DE	Main Arm & Tube	F, H
	<i>Includes 4040SE-159</i>	
4040SE-82	Rod	F
	<i>Includes 4040SE-83H & -425</i>	
4040SE-83H	H Arm Screw	F
4040SE-159	Arm Screw	F
4040SE-425	Roller Locking Screw	F
4040SE-3034	Track Roller	



Please specify finish (F), size (S), hand (H), & voltage (V) where indicated. See the latest edition of the LCN Catalog for part descriptions and specifications on many of the items shown above. List prices for items shown above can be located in the current LCN Price List.

LCN 4040SE SERIES "Sentronic"

Track Assemblies

4040SE-3038	Standard Track	F, V
	<i>Includes 4040SE-59A, -60 (3), -73 (2), -141 (2), -141-1 (4), 141-2 (3), -168, -3034 & -3436</i>	
	<i>Length is 22 3/4" (578mm)</i>	
4040SE-3038L	Long Track	F, V
	<i>Includes 4040SE-59A, -60 (3), -73 (2), -141 (2), -141-1 (4), -141-2 (3), -168, -3034 & -3436</i>	
	<i>Length is 25 3/4" (654mm)</i>	

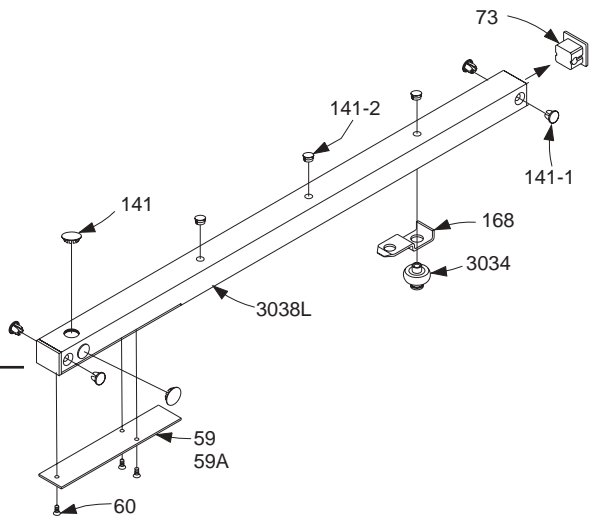
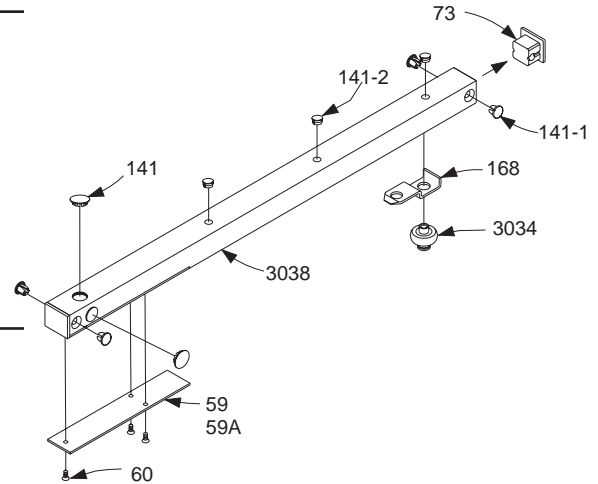
Individual Track Parts

Individual track parts for 4040SE-3038 & 4040SE-3038L

4040SE-59	Cover Plate	F
	<i>Use for products manufactured prior to 11/2003</i>	
	<i>Includes 4040SE-60 (3)</i>	
4040SE-59A	Cover Plate	F
	<i>Use for products manufactured 11/2003 or after</i>	
	<i>Includes 4040SE-60 (3)</i>	
4040SE-60	Cover Plate Screw	F
4040SE-73	End Cap	
4040SE-141	Conduit Plug	F
4040SE-141-1	Track Plug	F
4040SE-141-2	Track Plug	F
4040SE-159	Arm Screw	F
4040SE-168	Track Slider	
4040SE-3034	Track Roller	

Installation Accessories

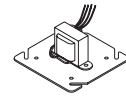
4040SE-81	Connector with ring	
4040SE-3210	Transformer	V
4040SE-3436	SE On/Off Switch	



81



3436



3210

Please specify finish (F), size (S), hand (H), & voltage (V) where indicated. See the latest edition of the LCN Catalog for part descriptions and specifications on many of the items shown above. List prices for items shown above can be located in the current LCN Price List.

LCN 4040SE SERIES "Sentronic"

Please specify finish **(F)**, size **(S)**, hand **(H)**, & voltage **(V)** where indicated. See the latest edition of the LCN Catalog for part descriptions and specifications on many of the items shown above. List prices for items shown above can be located in the current LCN Price List.