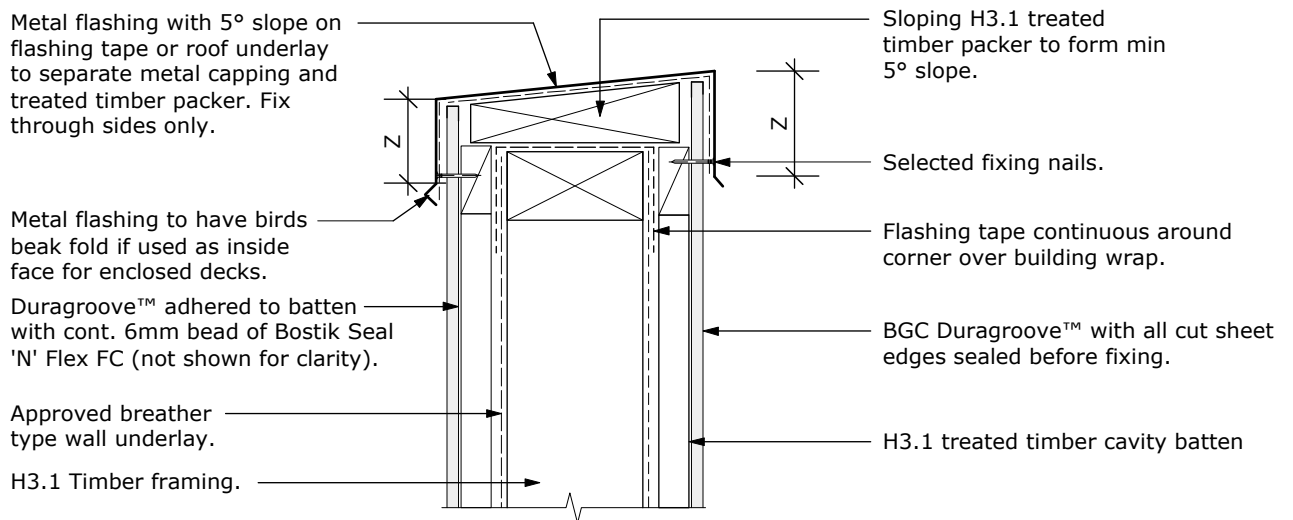


**Cavity Batten Note:**

Refer to cavity batten layout for batten sizes, types, spacings & fixings.

**Note:**

Z = Refer to NZBC E2 / AS1 Table 7 for flashing cover requirements.

PROFILE **BGC Duragroove™**

DETAIL **Parapet Flashing**

DATE **Nov 2011**

SCALE **1:5 @ A4**

DETAIL NO. **D 28**