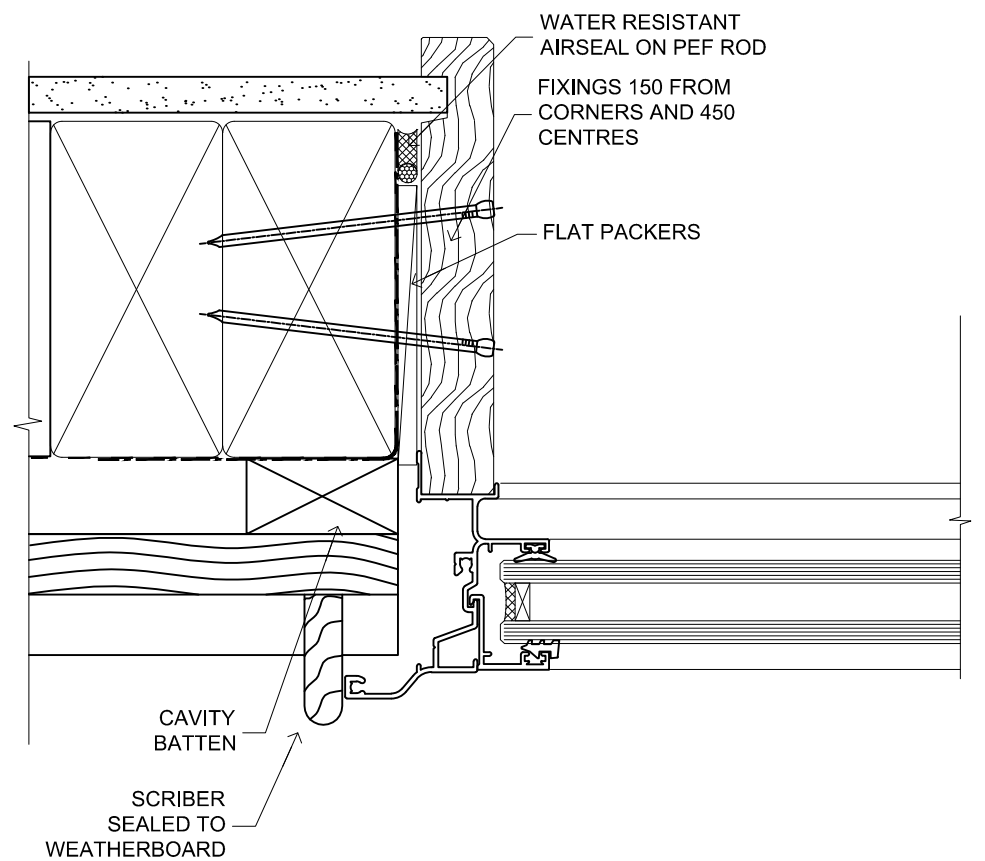
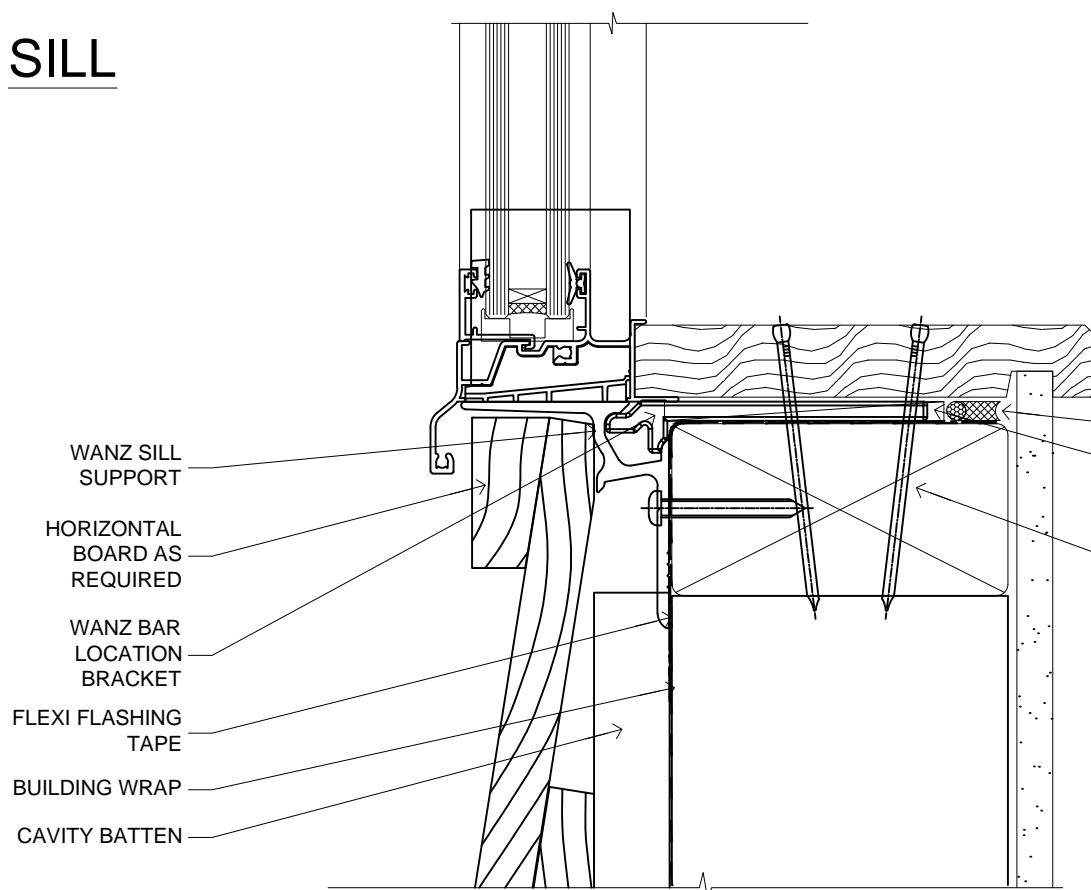


HEAD

FIXINGS 150 FROM CORNERS AND 450 CENTRES
 TEMPORARY FLAT PACKERS REMOVED FROM HEAD AFTER FIXING
 WATER RESISTANT AIRSEAL ON PEF ROD



SILL



JAMB

WATER RESISTANT AIRSEAL ON PEF ROD
 FLAT PACKERS
 FIXINGS: PAIRS OF 75x3.15mm NAILS OR 1 X 8g 65MM SS SCREWS AT 150 FROM CORNERS AND 450 CENTRES

WINDOW

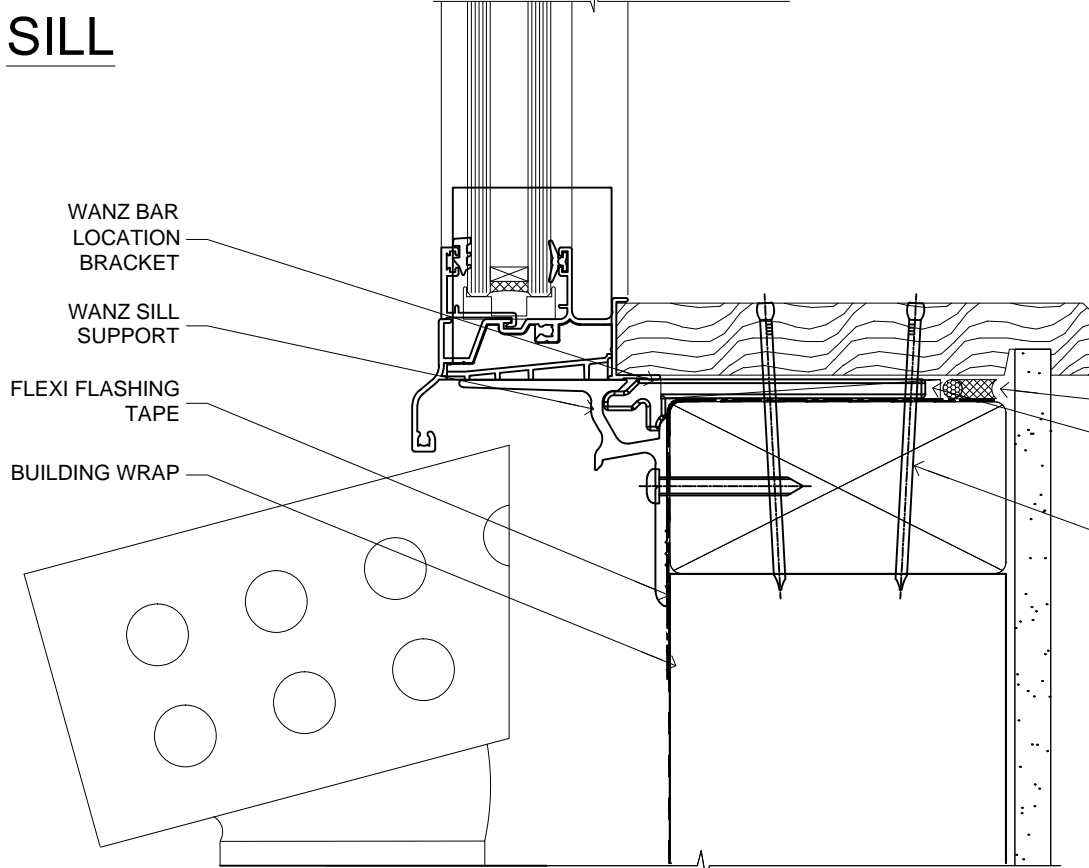
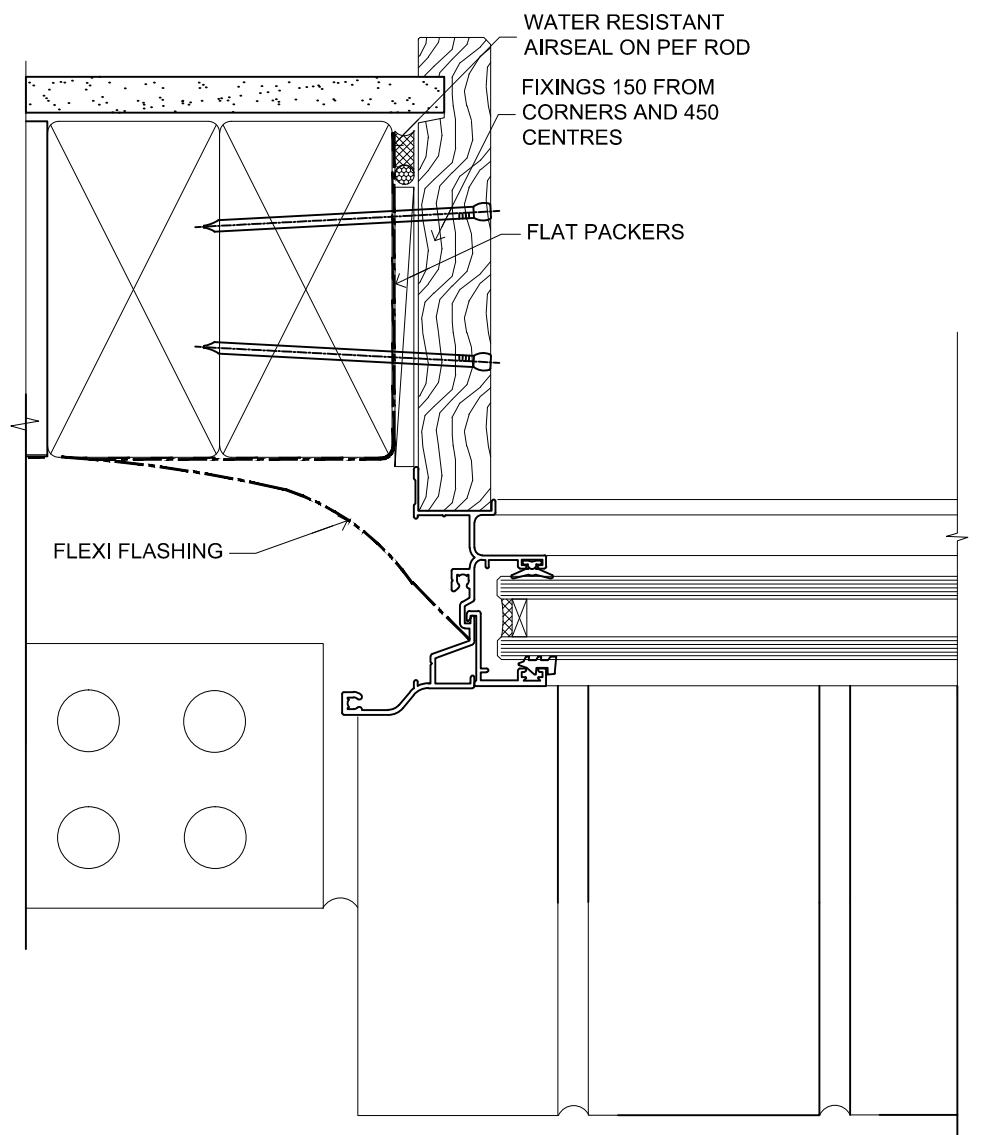
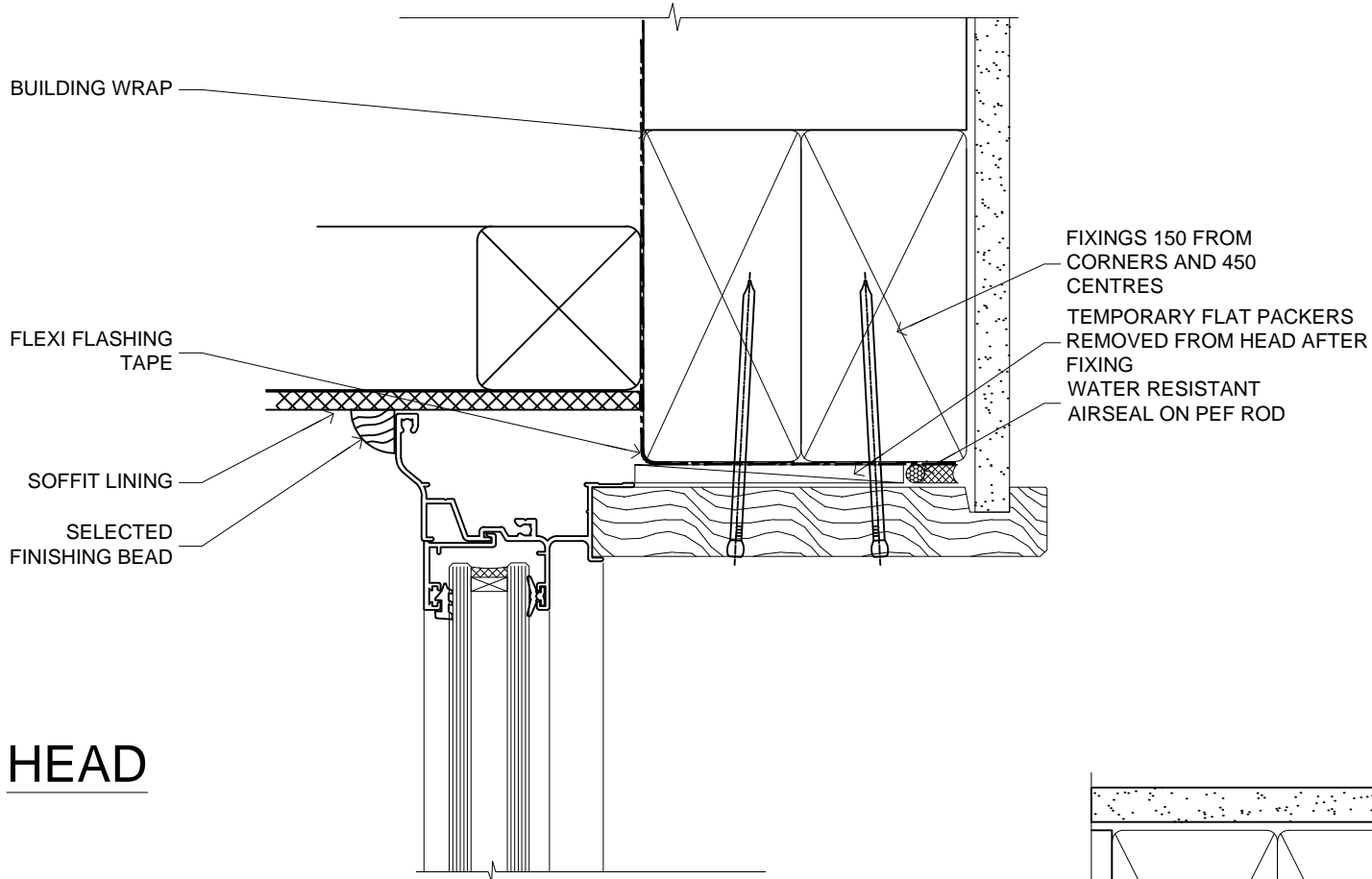
FAIRVIEW SYSTEMS LIMITED SPECIFIERS GUIDE 2014 © TECHNICAL SPECIFICATIONS & PROFILE DETAILS SUBJECT TO CHANGE WITHOUT NOTICE

**CLASSIC RESIDENTIAL 35, CAVITY CONSTRUCTION,
 BEVEL BACK WEATHERBOARD DETAILS**

DATE
 05.12.2014

SCALE
 1:1

REF. CR35 BBW CC 01



JAMB

WINDOW

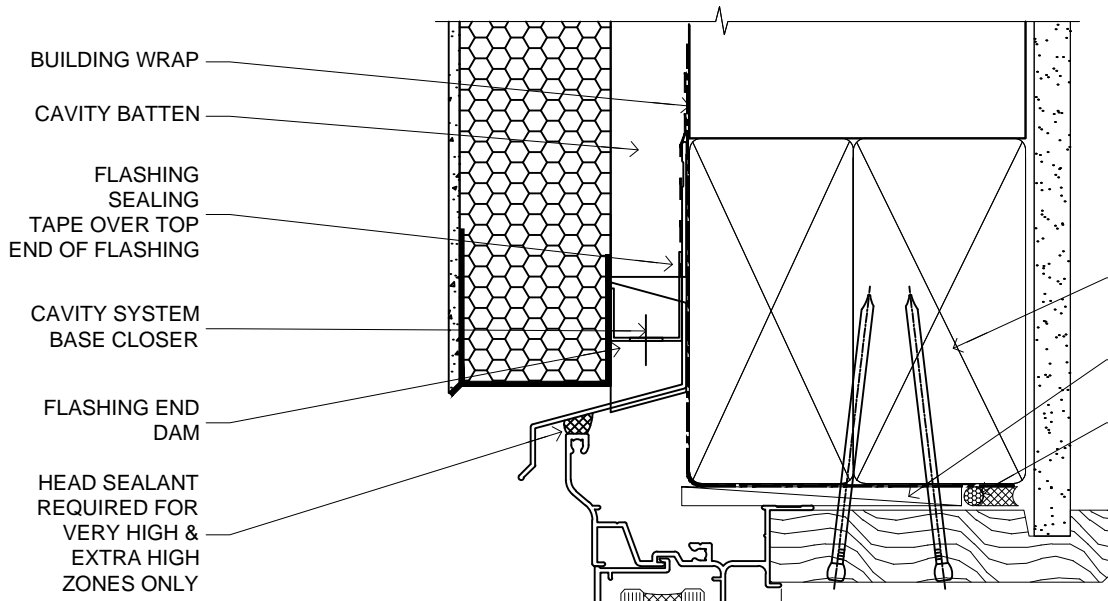
FAIRVIEW SYSTEMS LIMITED SPECIFIERS GUIDE 2014 © TECHNICAL SPECIFICATIONS & PROFILE DETAILS SUBJECT TO CHANGE WITHOUT NOTICE

**CLASSIC RESIDENTIAL 35, CAVITY CONSTRUCTION,
BRICK VENEER DETAILS**

DATE
05.12.2014

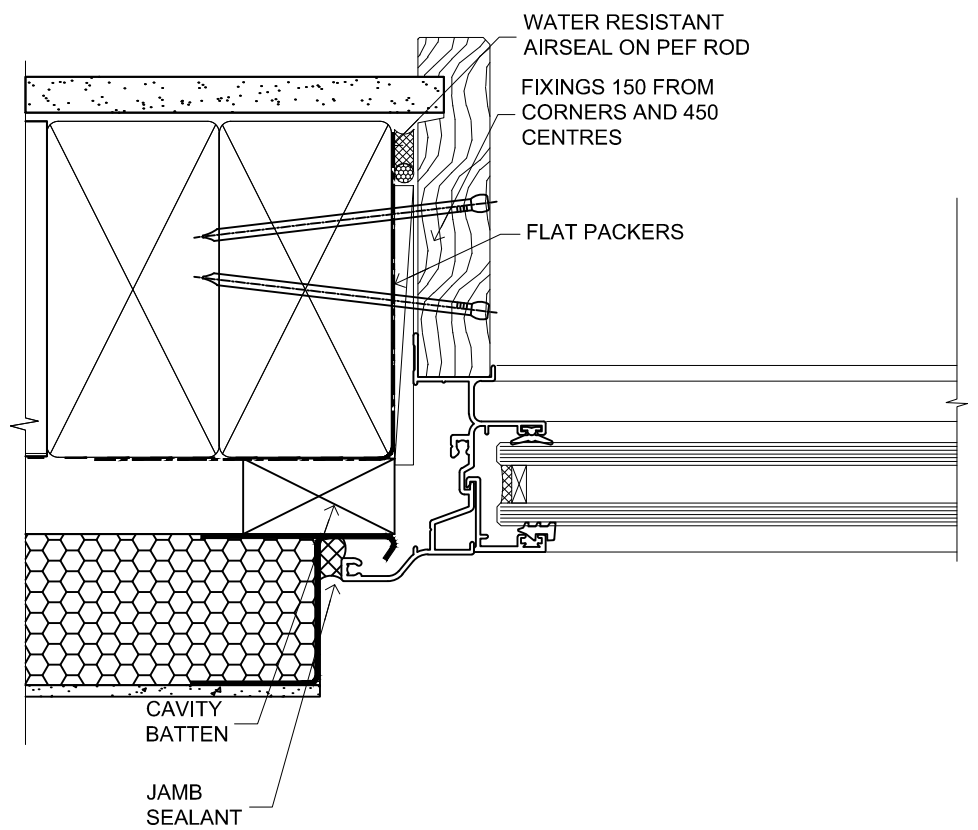
SCALE
1:1

REF. CR35 BV CC 01

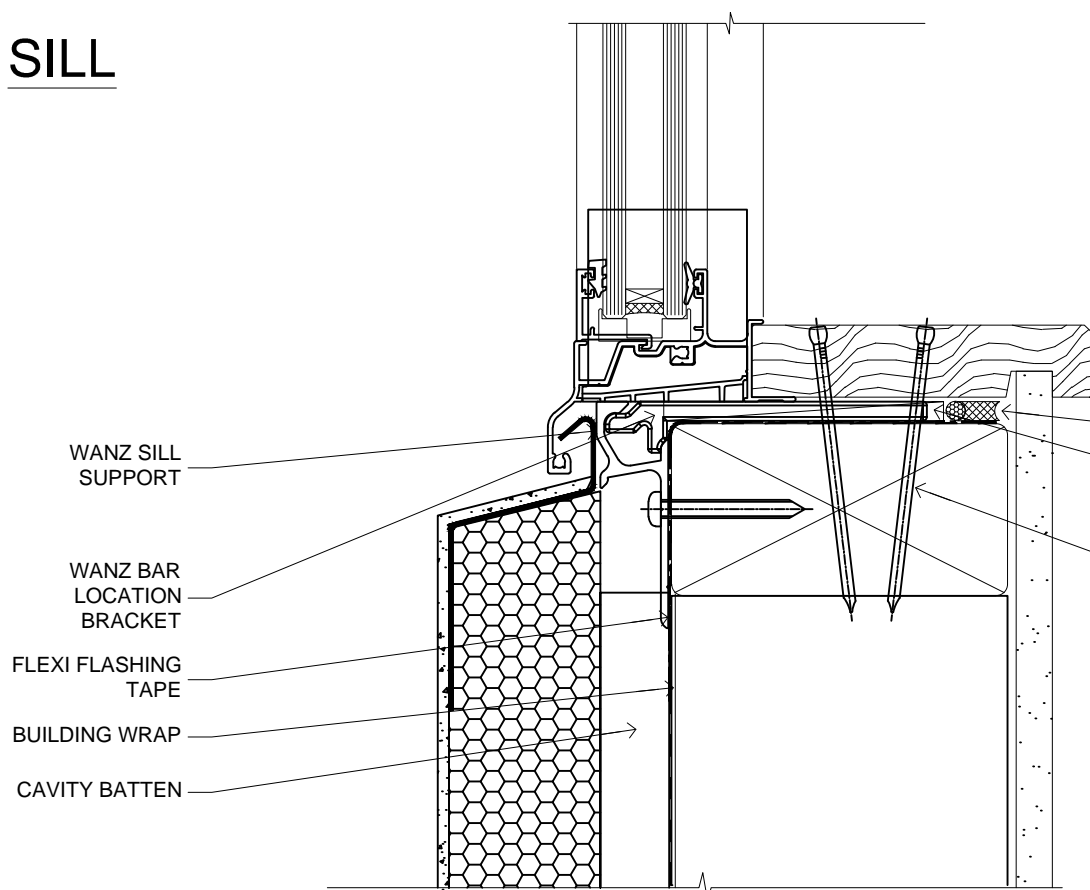


FIXINGS 150 FROM CORNERS AND 450 CENTRES
 TEMPORARY FLAT PACKERS REMOVED FROM HEAD AFTER FIXING
 WATER RESISTANT AIRSEAL ON PEF ROD

HEAD



SILL



WATER RESISTANT AIRSEAL ON PEF ROD
 FLAT PACKERS
 FIXINGS: PAIRS OF 75x3.15mm NAILS OR 1 X 8g 65MM SS SCREWS AT 150 FROM CORNERS AND 450 CENTRES

JAMB

WINDOW

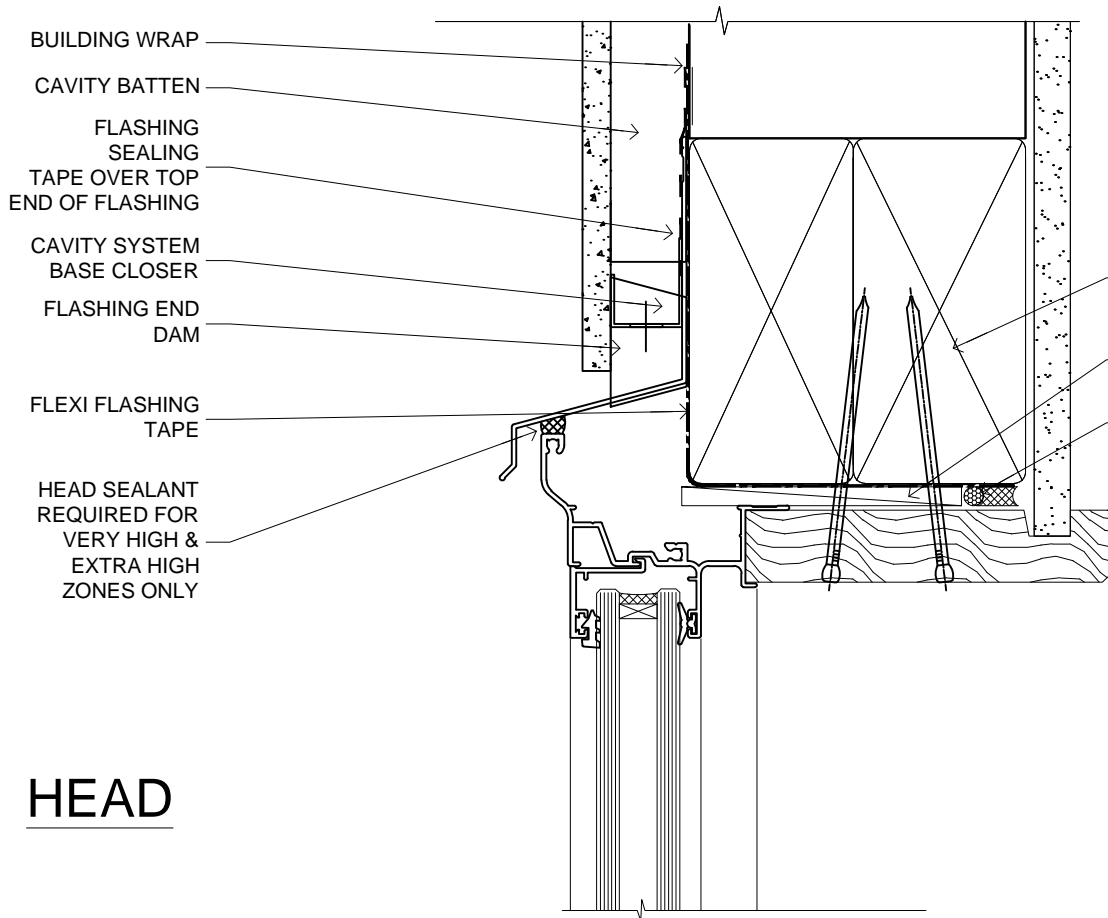
FAIRVIEW SYSTEMS LIMITED SPECIFIERS GUIDE 2014 © TECHNICAL SPECIFICATIONS & PROFILE DETAILS SUBJECT TO CHANGE WITHOUT NOTICE

**CLASSIC RESIDENTIAL 35, CAVITY CONSTRUCTION,
 EIFS RECESSED DETAILS**

DATE
 05.12.2014

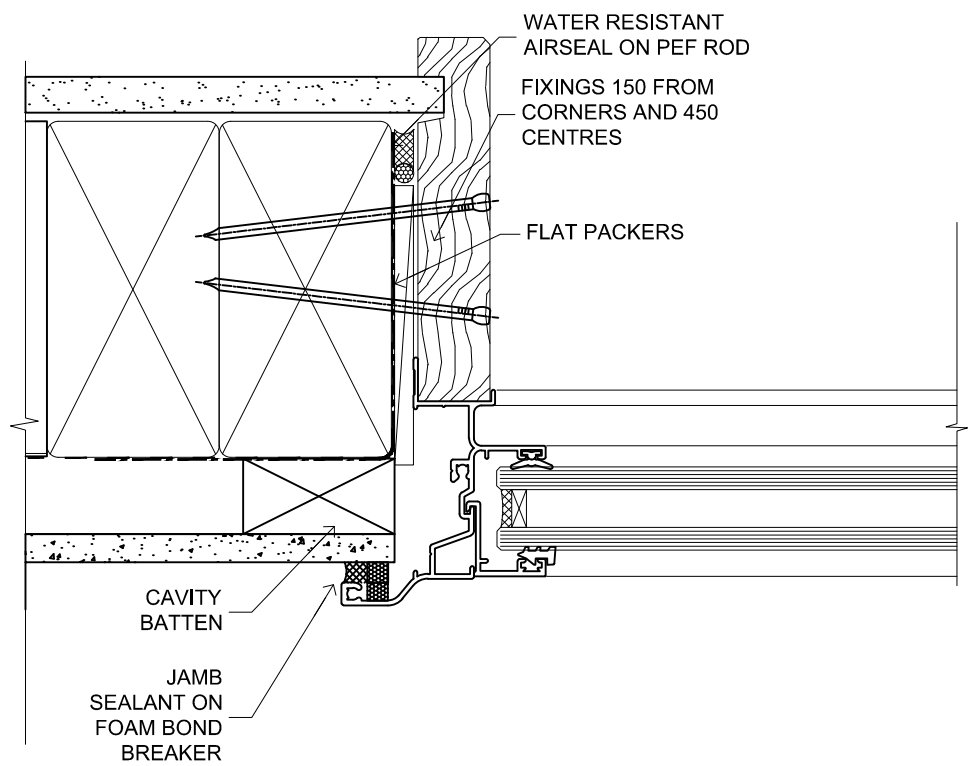
SCALE
 1:1

REF. CR35 EIFS CC 01

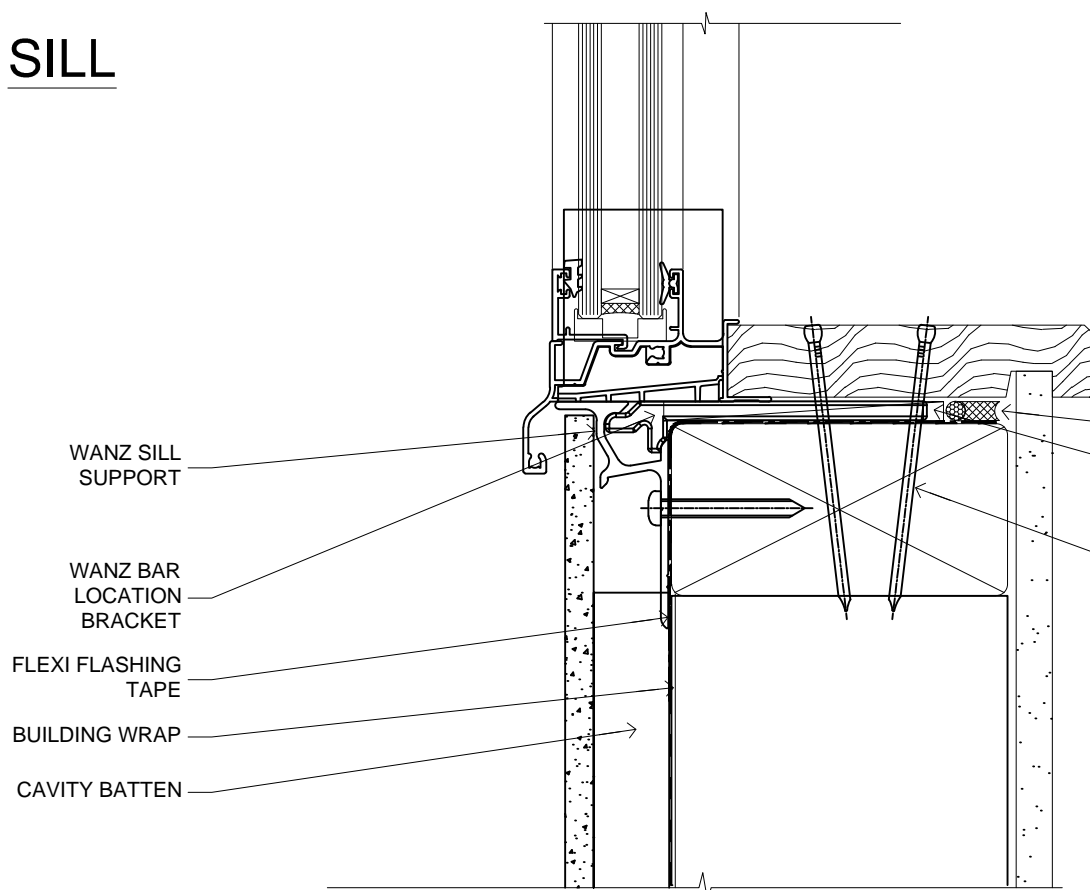


HEAD

FIXINGS 150 FROM CORNERS AND 450 CENTRES
 TEMPORARY FLAT PACKERS REMOVED FROM HEAD AFTER FIXING
 WATER RESISTANT AIRSEAL ON PEF ROD



SILL



JAMB

WATER RESISTANT AIRSEAL ON PEF ROD
 FLAT PACKERS
 FIXINGS: PAIRS OF 75x3.15mm NAILS OR 1 X 8g 65MM SS SCREWS AT 150 FROM CORNERS AND 450 CENTRES

WINDOW

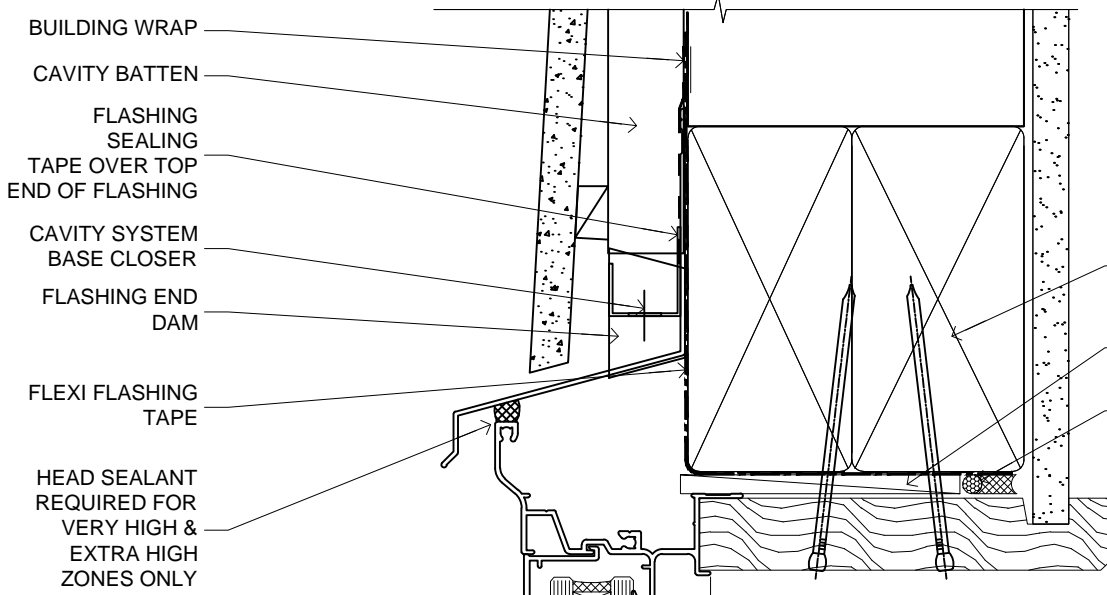
FAIRVIEW SYSTEMS LIMITED SPECIFIERS GUIDE 2014 © TECHNICAL SPECIFICATIONS & PROFILE DETAILS SUBJECT TO CHANGE WITHOUT NOTICE

**CLASSIC RESIDENTIAL 35, CAVITY CONSTRUCTION,
 FIBRE CEMENT SHEET DETAILS**

DATE
 05.12.2014

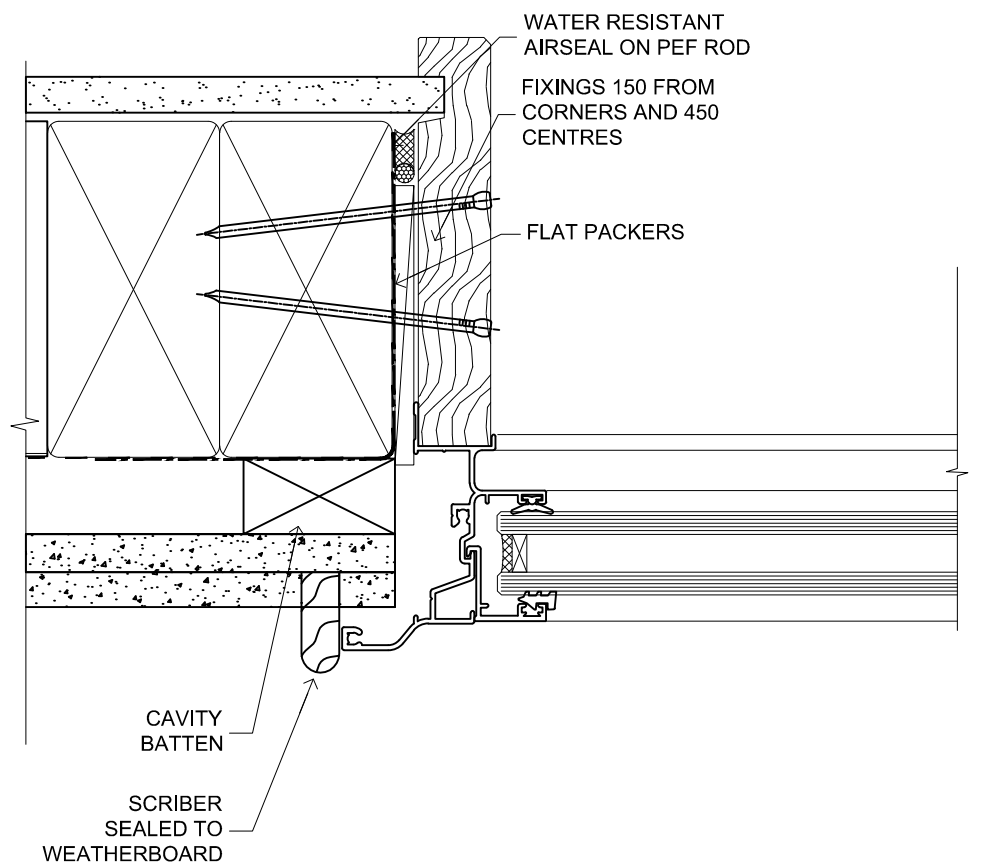
SCALE
 1:1

REF. CR35 FCS CC 01

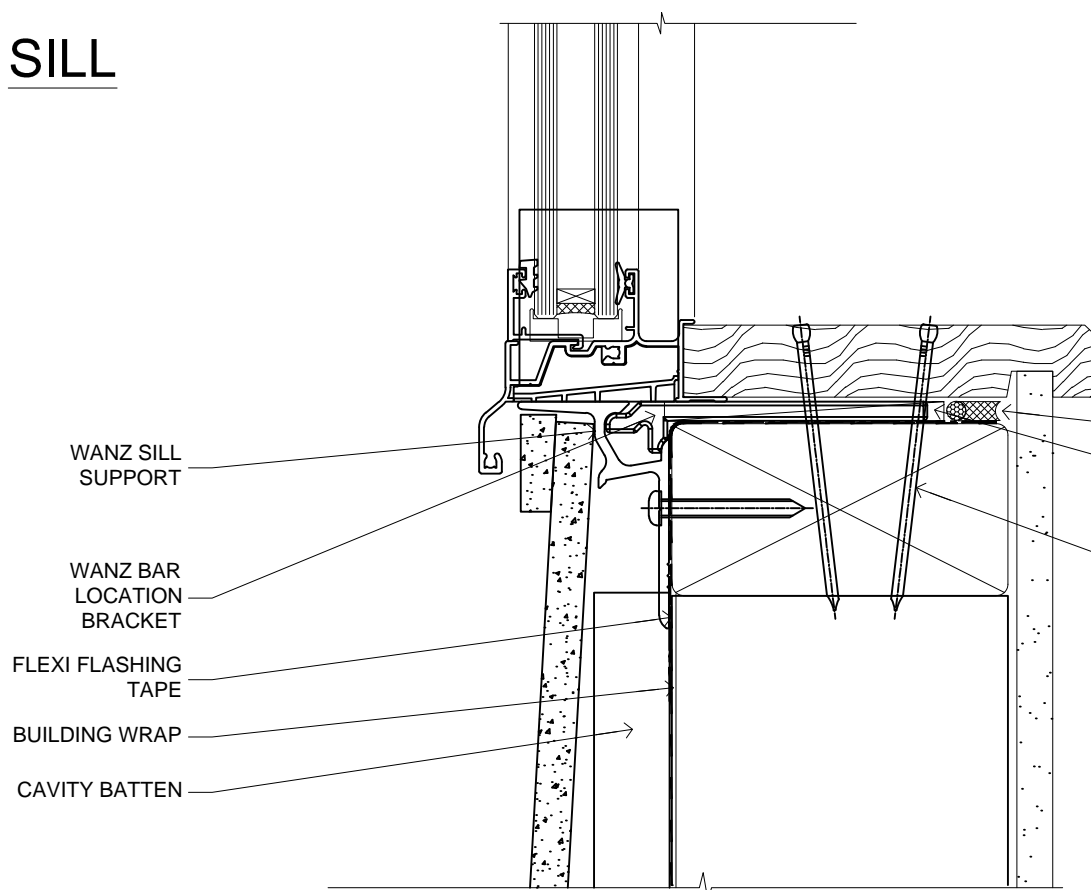


HEAD

FIXINGS 150 FROM CORNERS AND 450 CENTRES
 TEMPORARY FLAT PACKERS REMOVED FROM HEAD AFTER FIXING
 WATER RESISTANT AIRSEAL ON PEF ROD



SILL



WATER RESISTANT AIRSEAL ON PEF ROD
 FLAT PACKERS
 FIXINGS: PAIRS OF 75x3.15mm NAILS OR 1 X 8g 65MM SS SCREWS AT 150 FROM CORNERS AND 450 CENTRES

JAMB

WINDOW

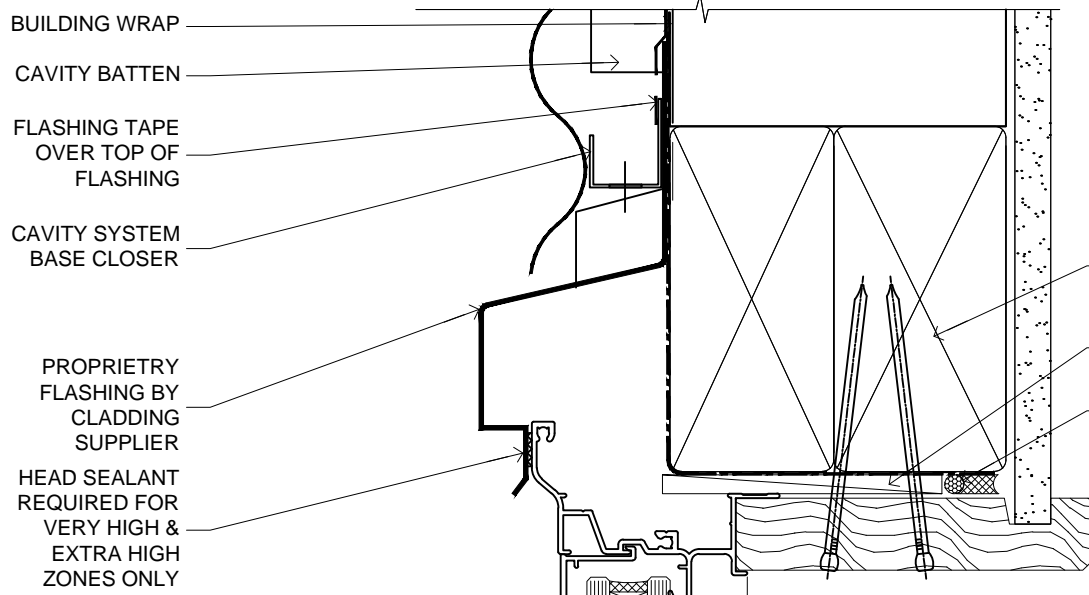
FAIRVIEW SYSTEMS LIMITED SPECIFIERS GUIDE 2014 © TECHNICAL SPECIFICATIONS & PROFILE DETAILS SUBJECT TO CHANGE WITHOUT NOTICE

**CLASSIC RESIDENTIAL 35, CAVITY CONSTRUCTION,
 FIBRE CEMENT WEATHERBOARD DETAILS**

DATE
 05.12.2014

SCALE
 1:1

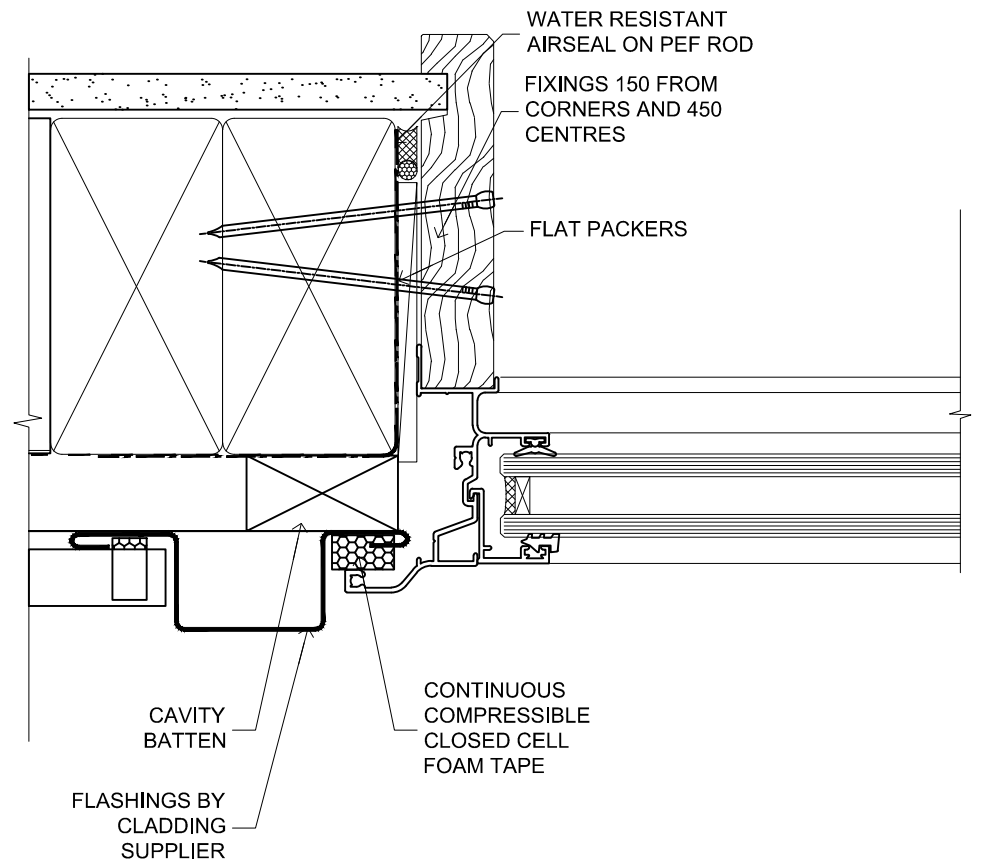
REF. CR35 FCW CC 01



- BUILDING WRAP
- CAVITY BATTEN
- FLASHING TAPE OVER TOP OF FLASHING
- CAVITY SYSTEM BASE CLOSER
- PROPRIETARY FLASHING BY CLADDING SUPPLIER
- HEAD SEALANT REQUIRED FOR VERY HIGH & EXTRA HIGH ZONES ONLY

- FIXINGS 150 FROM CORNERS AND 450 CENTRES
- TEMPORARY FLAT PACKERS REMOVED FROM HEAD AFTER FIXING
- WATER RESISTANT AIRSEAL ON PEF ROD

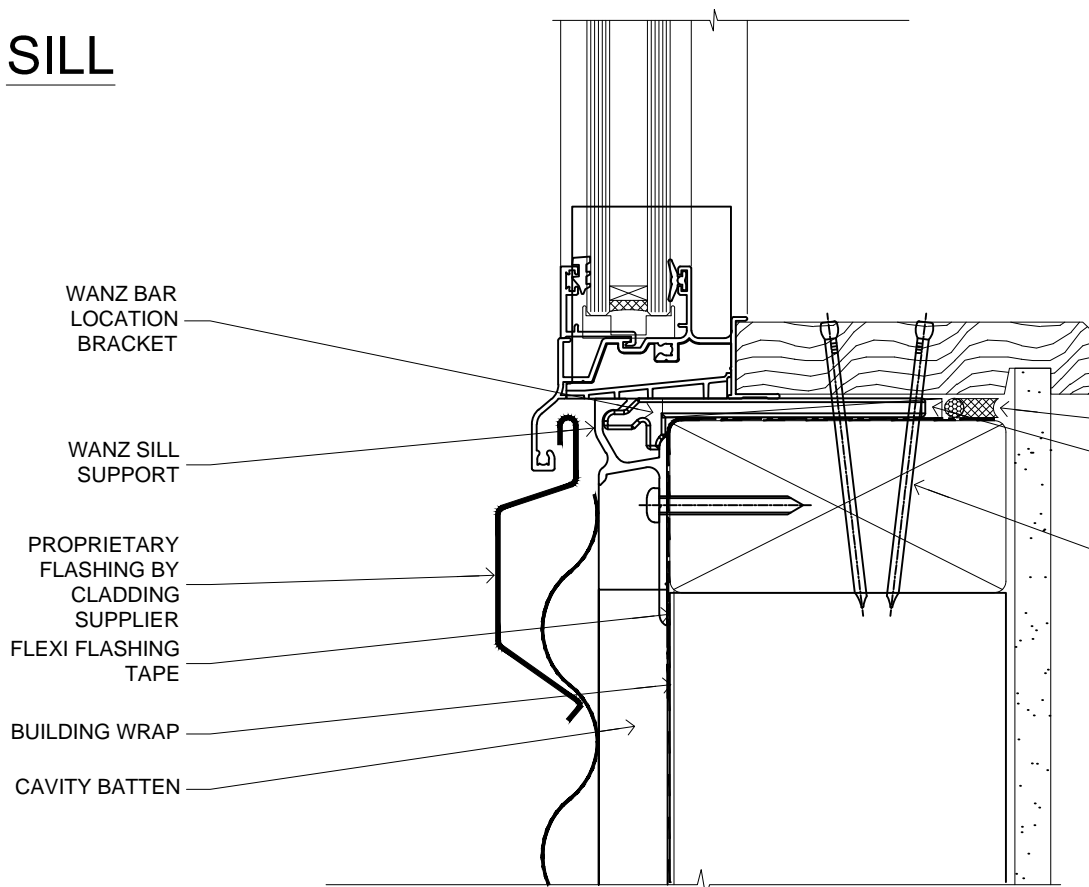
HEAD



- WATER RESISTANT AIRSEAL ON PEF ROD
- FIXINGS 150 FROM CORNERS AND 450 CENTRES
- FLAT PACKERS

- CAVITY BATTEN
- FLASHINGS BY CLADDING SUPPLIER
- CONTINUOUS COMPRESSIBLE CLOSED CELL FOAM TAPE

SILL



- WANZ BAR LOCATION BRACKET
- WANZ SILL SUPPORT
- PROPRIETARY FLASHING BY CLADDING SUPPLIER
- FLEXI FLASHING TAPE
- BUILDING WRAP
- CAVITY BATTEN

- WATER RESISTANT AIRSEAL ON PEF ROD
- FLAT PACKERS
- FIXINGS: PAIRS OF 75x3.15mm NAILS OR 1 X 8g 65MM SS SCREWS AT 150 FROM CORNERS AND 450 CENTRES

JAMB

WINDOW

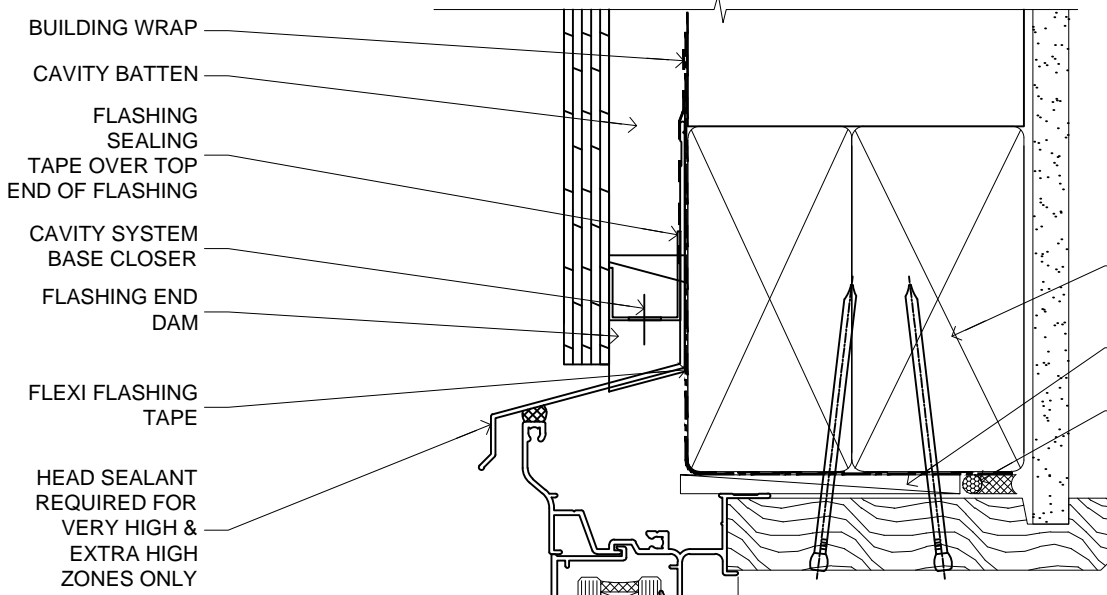
FAIRVIEW SYSTEMS LIMITED SPECIFIERS GUIDE 2014 © TECHNICAL SPECIFICATIONS & PROFILE DETAILS SUBJECT TO CHANGE WITHOUT NOTICE

**CLASSIC RESIDENTIAL 35, CAVITY CONSTRUCTION,
HORIZONTAL PROFILE METAL DETAILS**

DATE
05.12.2014

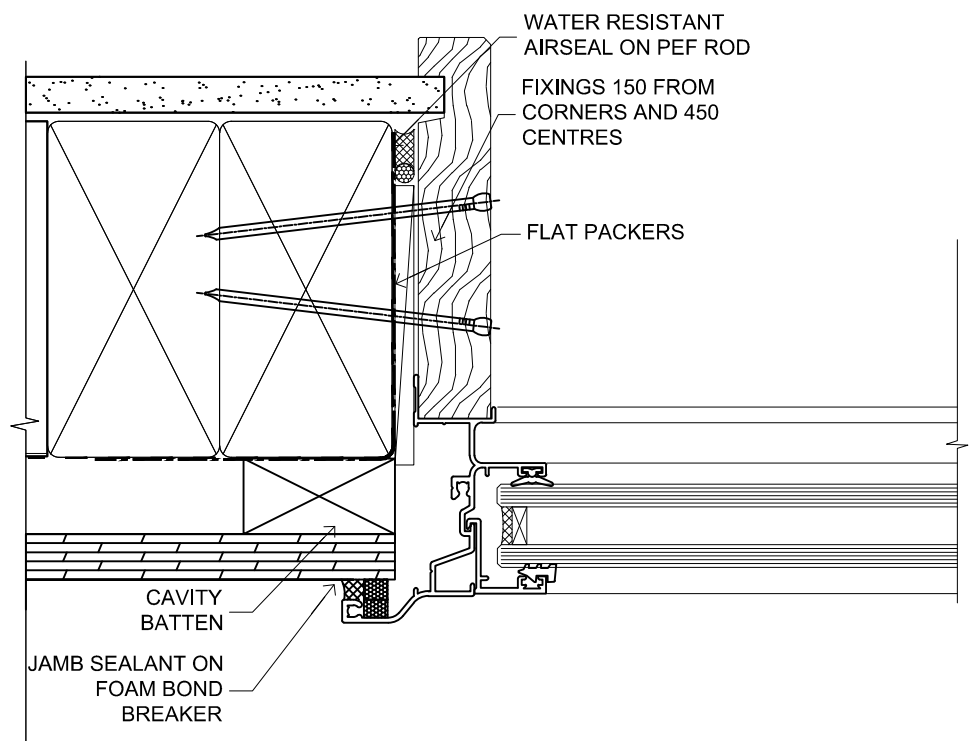
SCALE
1:1

REF. CR35 HPM CC 01

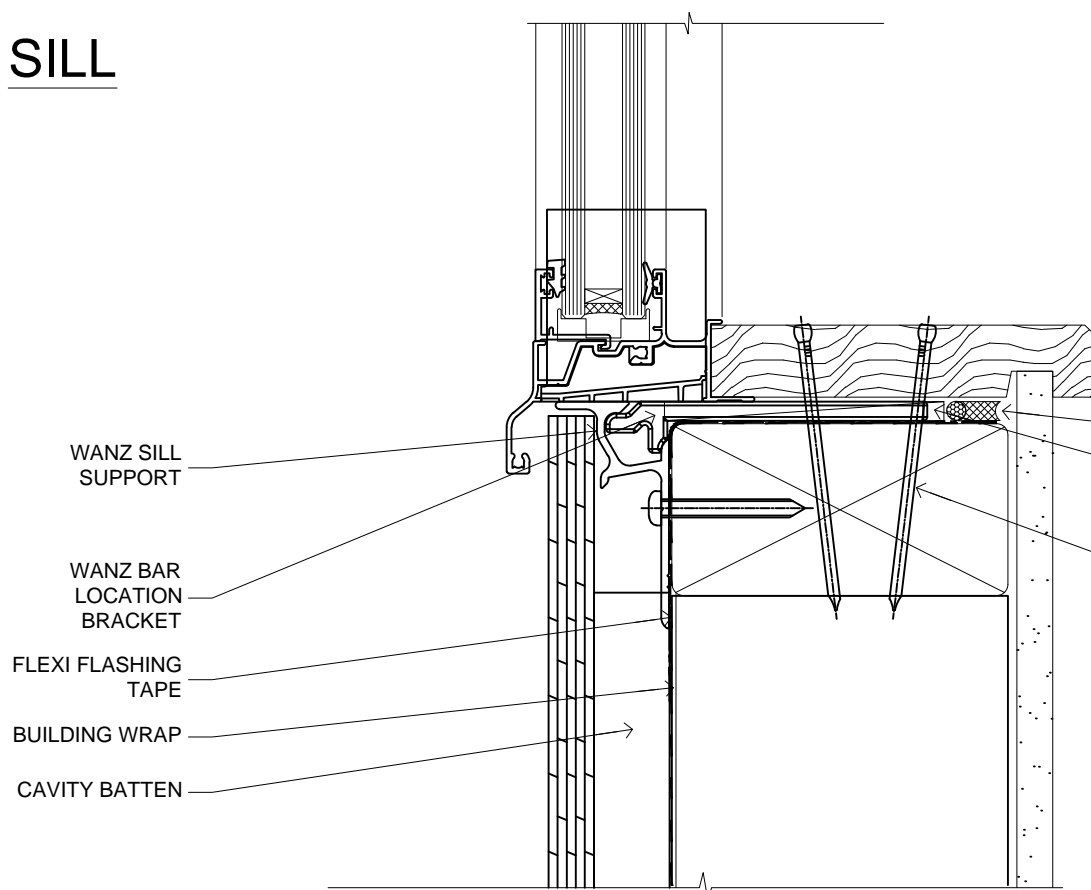


FIXINGS 150 FROM CORNERS AND 450 CENTRES
 TEMPORARY FLAT PACKERS REMOVED FROM HEAD AFTER FIXING
 WATER RESISTANT AIRSEAL ON PEF ROD

HEAD



SILL



WATER RESISTANT AIRSEAL ON PEF ROD
 FLAT PACKERS
 FIXINGS: PAIRS OF 75x3.15mm NAILS OR 1 X 8g 65MM SS SCREWS AT 150 FROM CORNERS AND 450 CENTRES

JAMB

WINDOW

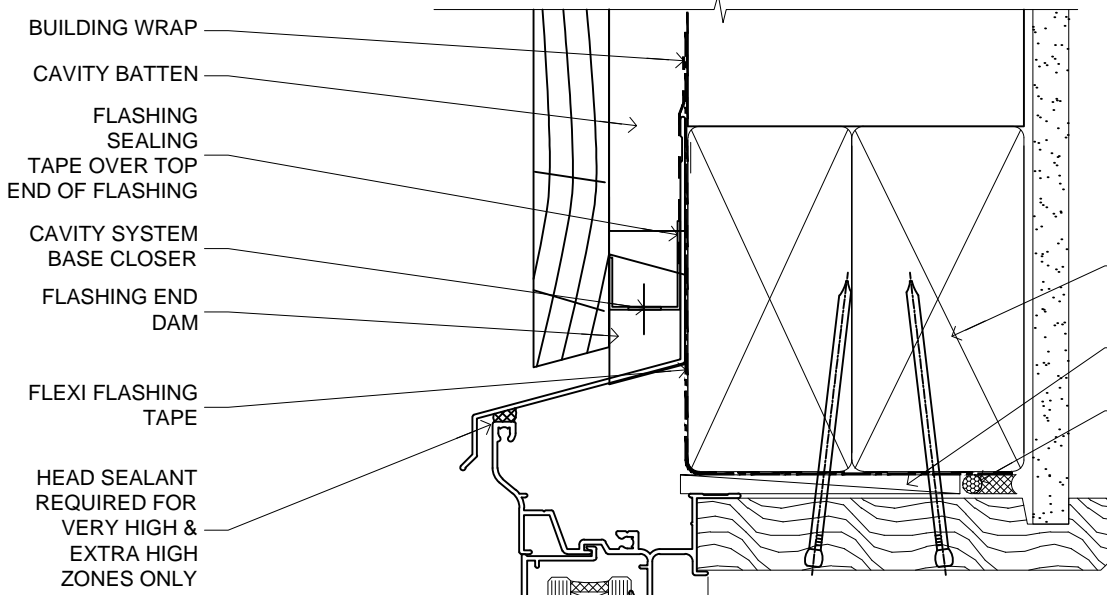
FAIRVIEW SYSTEMS LIMITED SPECIFIERS GUIDE 2014 © TECHNICAL SPECIFICATIONS & PROFILE DETAILS SUBJECT TO CHANGE WITHOUT NOTICE

**CLASSIC RESIDENTIAL 35, CAVITY CONSTRUCTION,
 PLYWOOD SHEET DETAILS**

DATE
 05.12.2014

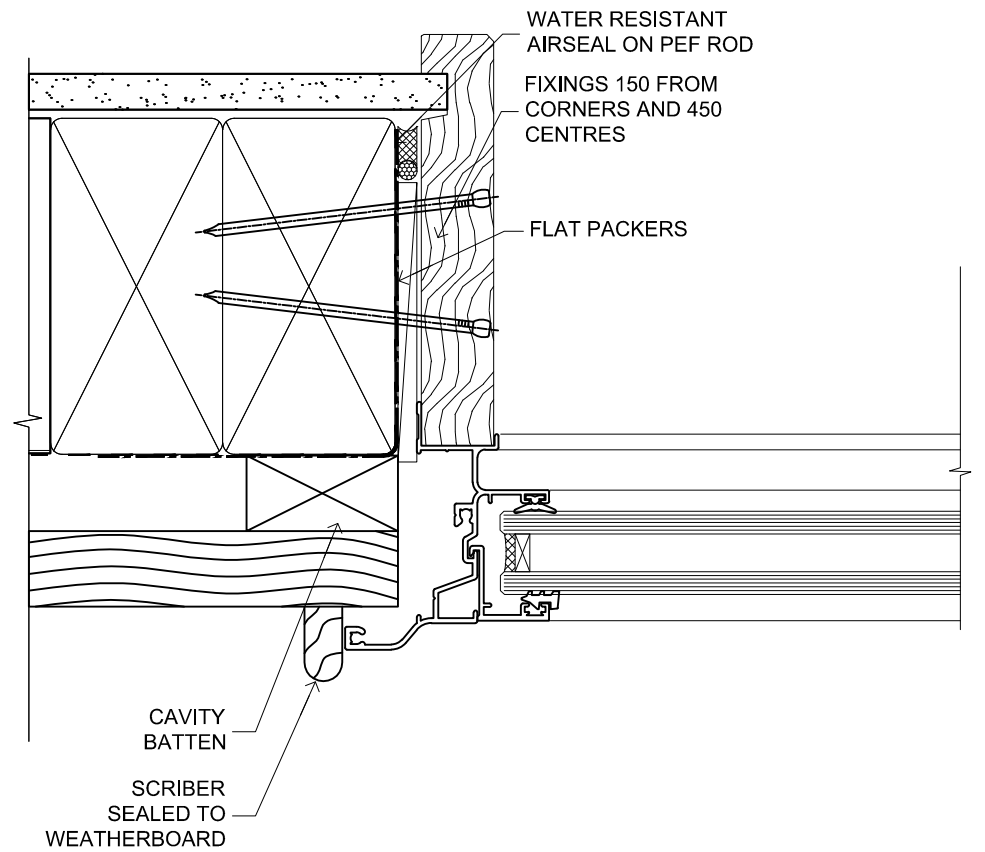
SCALE
 1:1

REF. CR35 PS CC 01

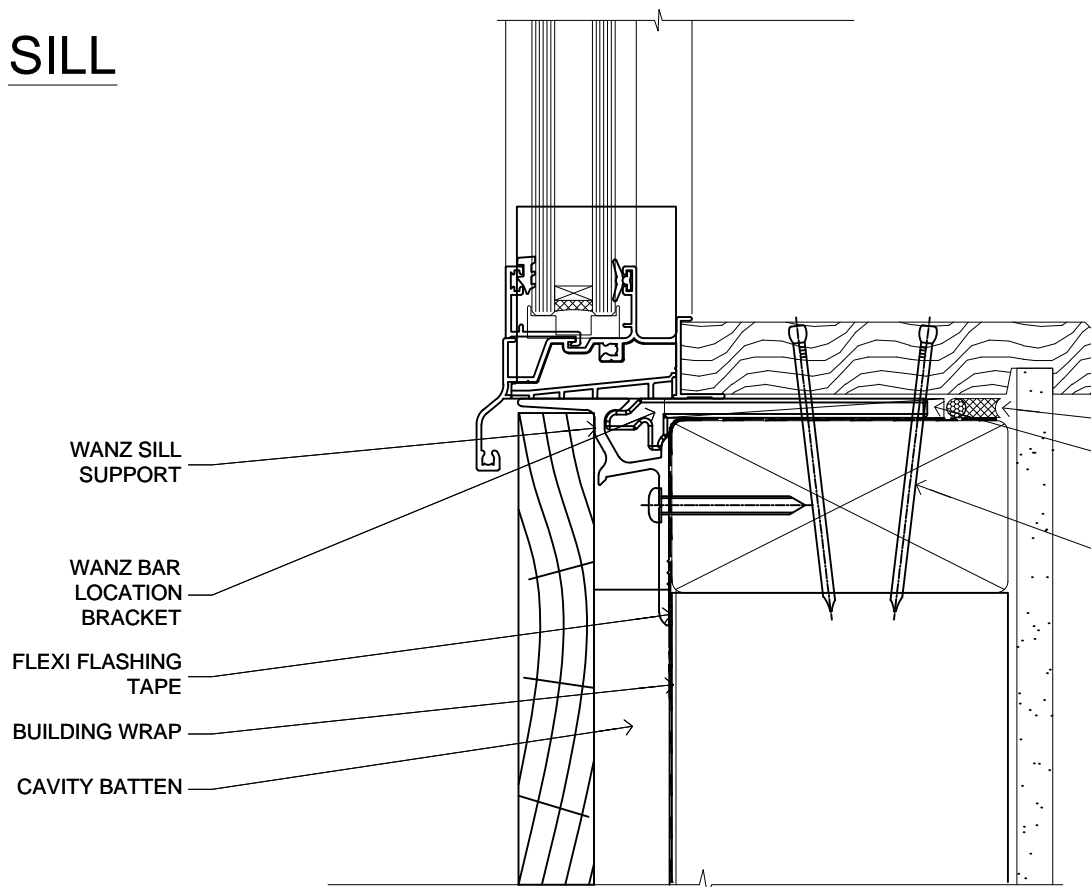


FIXINGS 150 FROM CORNERS AND 450 CENTRES
 TEMPORARY FLAT PACKERS REMOVED FROM HEAD AFTER FIXING
 WATER RESISTANT AIRSEAL ON PEF ROD

HEAD



SILL



WATER RESISTANT AIRSEAL ON PEF ROD
 FLAT PACKERS
 FIXINGS: PAIRS OF 75x3.15mm NAILS OR 1 X 8g 65MM SS SCREWS AT 150 FROM CORNERS AND 450 CENTRES

JAMB

WINDOW

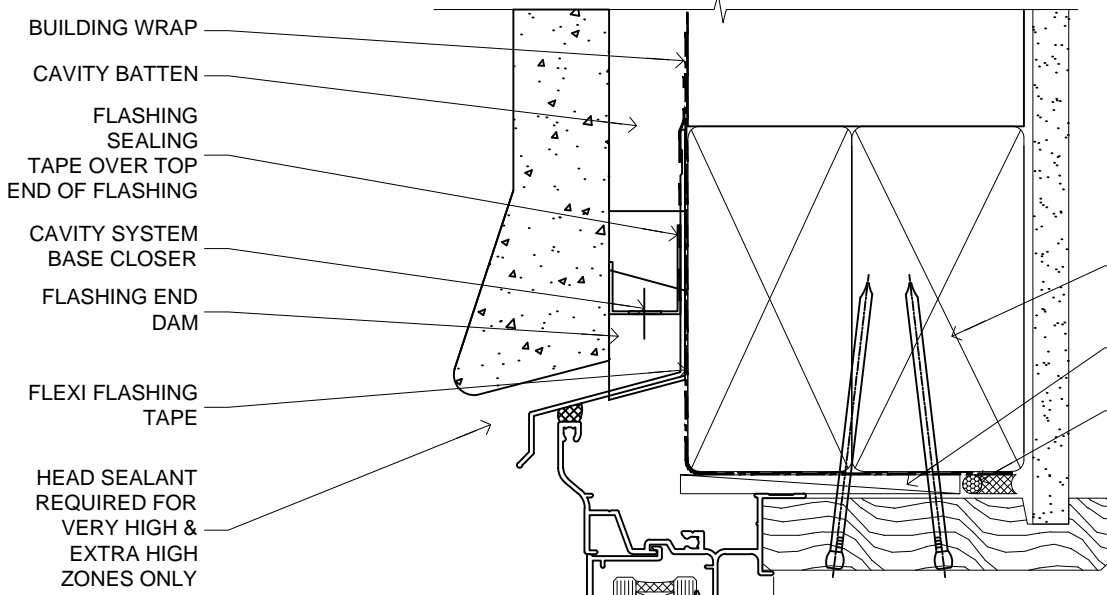
FAIRVIEW SYSTEMS LIMITED SPECIFIERS GUIDE 2014 © TECHNICAL SPECIFICATIONS & PROFILE DETAILS SUBJECT TO CHANGE WITHOUT NOTICE

**CLASSIC RESIDENTIAL 35, CAVITY CONSTRUCTION,
 RUSTICATED WEATHERBOARD DETAILS**

DATE
 05.12.2014

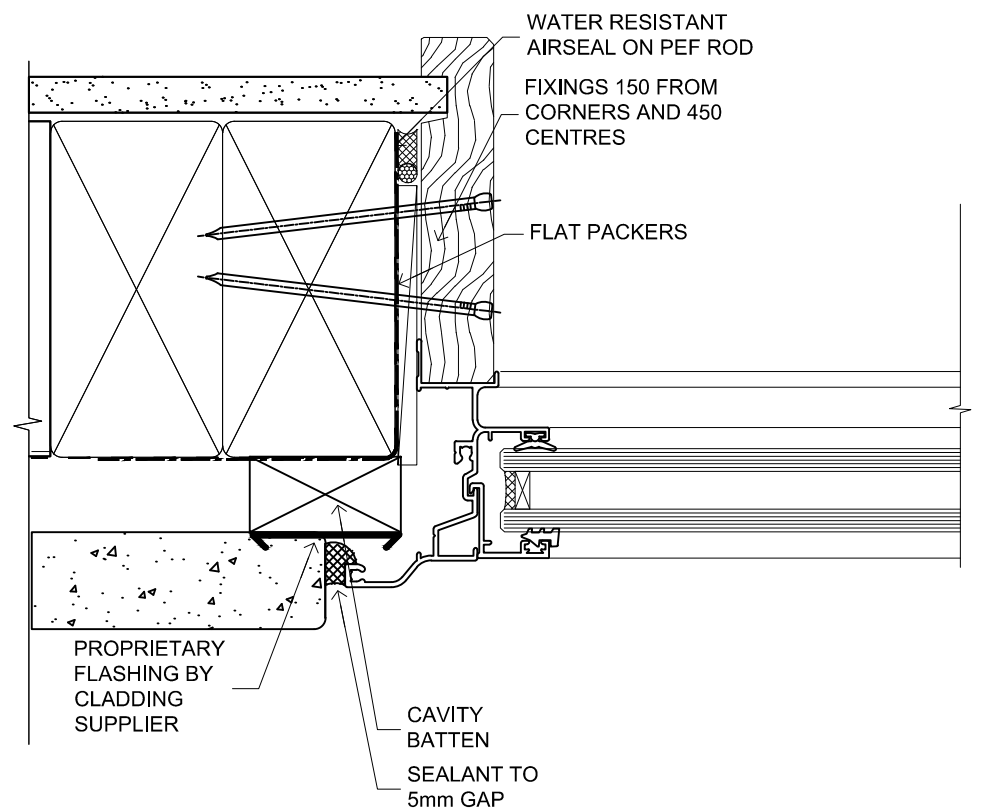
SCALE
 1:1

REF. CR35 RW CC 01

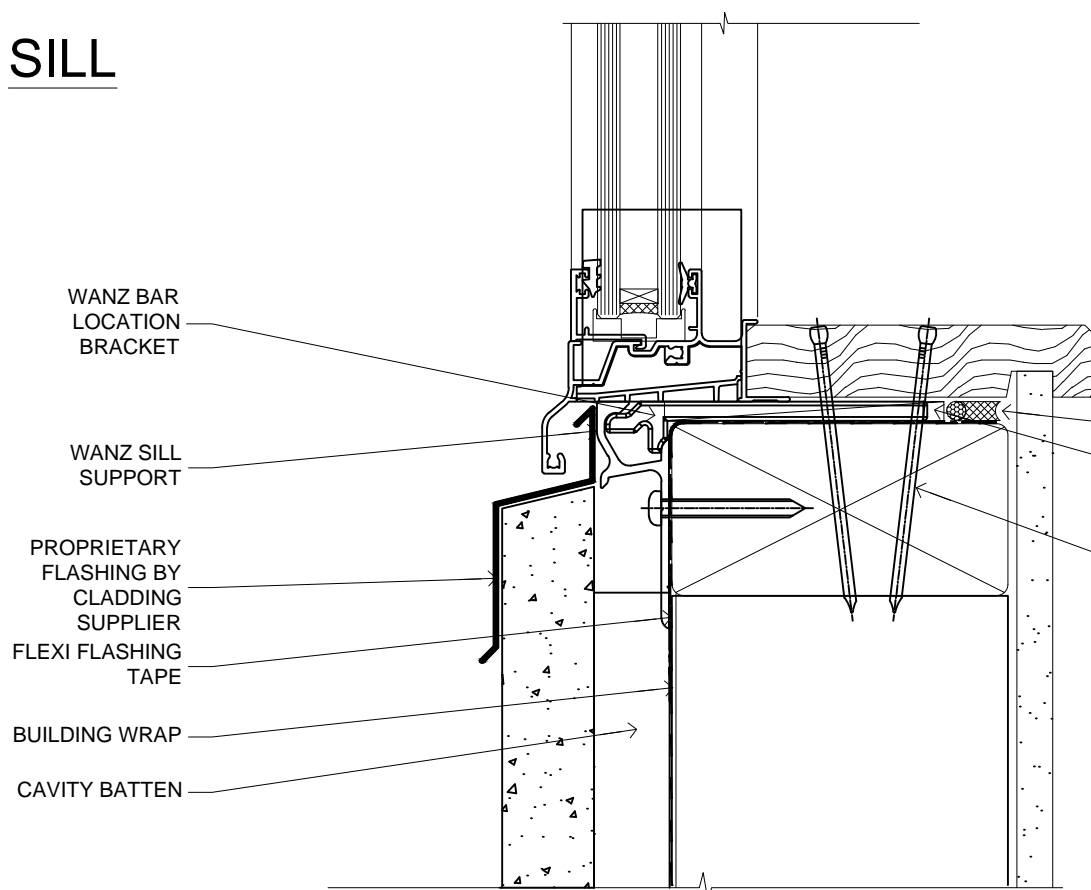


FIXINGS 150 FROM CORNERS AND 450 CENTRES
 TEMPORARY FLAT PACKERS REMOVED FROM HEAD AFTER FIXING
 WATER RESISTANT AIRSEAL ON PEF ROD

HEAD



SILL



WATER RESISTANT AIRSEAL ON PEF ROD
 FLAT PACKERS
 FIXINGS: PAIRS OF 75x3.15mm NAILS OR 1 X 8g 65MM SS SCREWS AT 150 FROM CORNERS AND 450 CENTRES

JAMB

WINDOW

FAIRVIEW SYSTEMS LIMITED SPECIFIERS GUIDE 2014 © TECHNICAL SPECIFICATIONS & PROFILE DETAILS SUBJECT TO CHANGE WITHOUT NOTICE

**CLASSIC RESIDENTIAL 35, CAVITY CONSTRUCTION,
 STUCCO RECESSED DETAILS**

DATE
 05.12.2014

SCALE
 1:1

REF. CR35 S-R CC 01