

Briton

376E Series

Exit devices



The Briton 376E Series is an economical range of push bar devices designed to suit single and double door applications. The 376E Series can be used on aluminium, hollow metal or wood swinging commercial doors. Available as rim and surface mounted vertical panic bolt devices.

Each model in the 376E Series is operated by a horizontal push bar, which when pushed in a downward arc withdraws either the bolts or latch, releasing the door for immediate escape in the event of an emergency.

Features

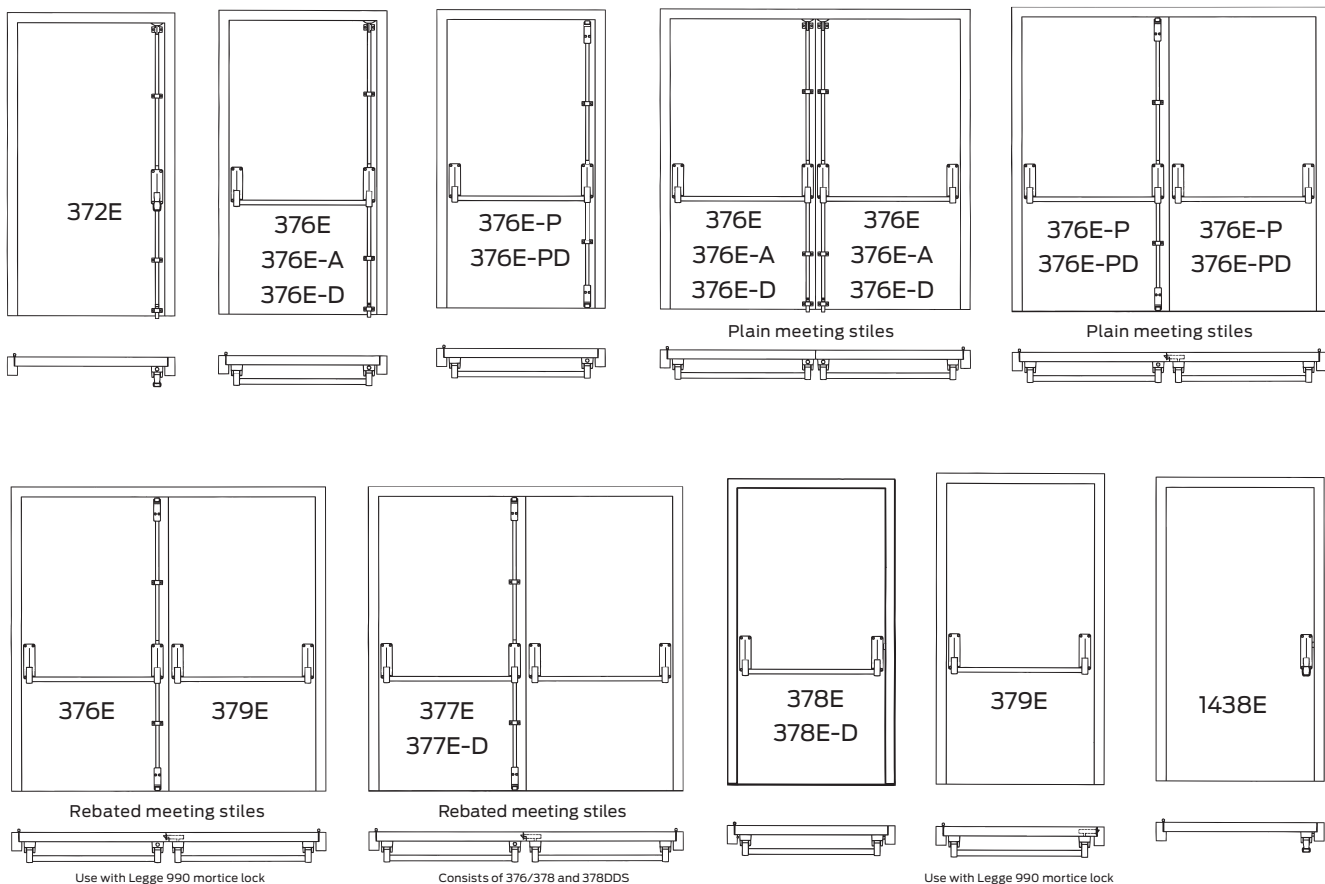
- Tested up to 600,000 cycles providing durability for everyday use
- Designed to operate at low forces to ensure that minimum force is required to withdraw latch or bolts
- Field sizeable to accommodate a range of door openings
- Optional dogging function available which allows the latch or bolts to be held in the withdrawn position
- Optional models available include pullman latches and alarm function
- Optional external trims available for key access
- 379 mortice latch designed to be used in conjunction with a Legge 990MF mortice lock (ordered separately)
- The 10 year warranty provides specifiers and users with assured quality and performance

Specification guide

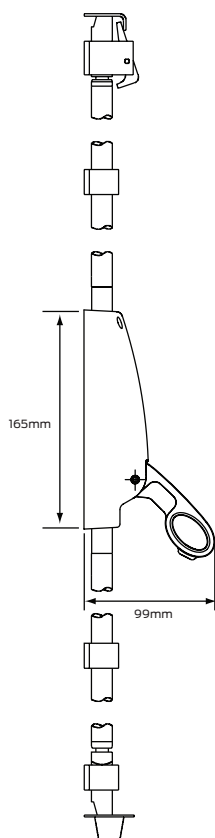
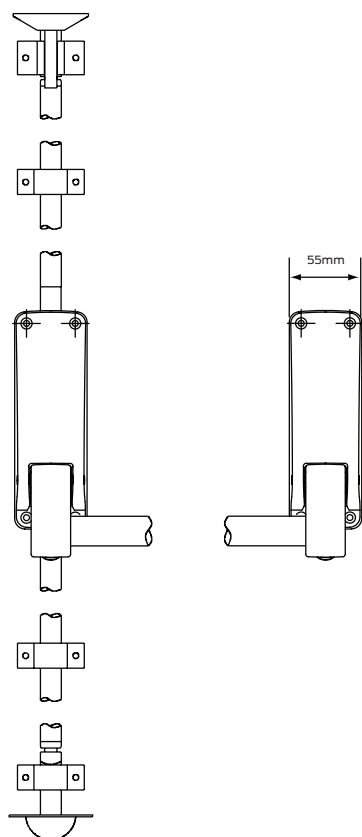
Model	Function	Finish
Push pad rim latch - exit only B1438E		Silver enamel SE
Push pad with vertical rods - exit only B372E		Silver enamel SE
Single panic bolt - exit only B376E		Silver enamel SE
Single panic bolt - exit with dogging B376E/	Dogging D	Silver enamel SE
Single panic bolt - exit with alarm B376E/	Alarm switch A	Silver enamel SE
Single panic bolt - exit with pullman latch B376E/	Pullman latch P	Silver enamel SE
Single panic bolt - exit with pullman latch & dogging B376E/	Pullman with dogging P/D	Silver enamel SE
Double panic bolt - exit only B377E/		Silver enamel SE
Double panic bolt - exit with dogging B377E/	Dogging D	Silver enamel SE
<small>Consists of B376/B378 & B378DDS Rim strike plate</small>		
Single rim panic latch - exit only B378E		Silver enamel SE
Single rim panic latch - exit with dogging B378E/	Dogging D	Silver enamel SE
Single panic mortice latch B379		Silver enamel SE
Single panic mortice latch B379/	Alarm switch A	Silver enamel SE

Applications

Briton 376E Series panic and emergency exit hardware is suitable for application to single doors, and in combinations on non-rebated and rebated double doors



376E Vertical Panic Bolt



Features

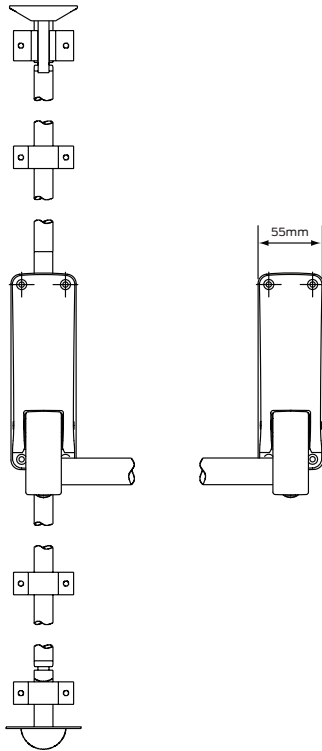
- Suitable for all types of single doors and can be used in conjunction with either another 376E or a 379E for double non-rebated door applications
- For double rebated door applications the 377E double door set can be used
- Field sizeable to accommodate a range of door openings
- Two point locking for extra security
- Anti-thrust device, prevents unauthorised retraction of the latch
- Non-handed — will suit both left and right handed doors
- Adjustable top shoots
- Supplied with an easy-clean floor socket

Specifications

Door type	Timber or metal
Stile width	78mm minimum with 13mm rebates 90mm minimum with 25mm rebates
Door width	665mm to 1300mm
Door height	2500mm standard Extra long top shoot available for door heights up to 3350mm
Material	Zinc die cast chassis Steel rods and crossbars
Finish	Silver enamel
Warranty	10 year mechanical

377E Double Door Panic Bolt

376E

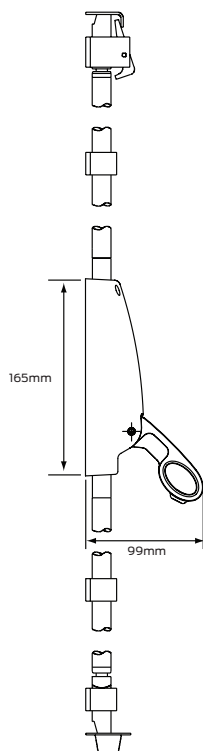


Features

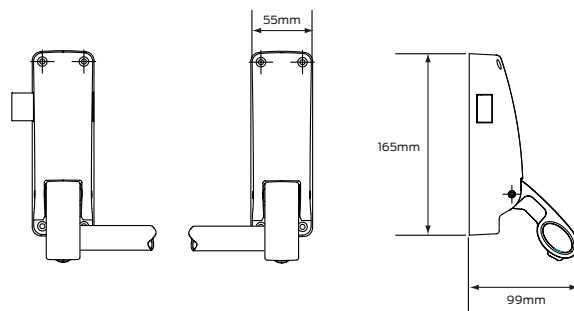
- Suitable for double door applications
- Consists of 376E, 378E and 378DDS strike plate
- Dogging option is available for both 376 and 378 devices
- Field sizeable to accommodate a range of door openings
- 376E is non-handed - will suit both left and right hand doors
- 378E is handed but can be rehanded on site

Specifications

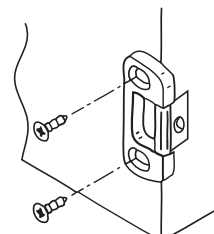
Door type	Timber or metal
Stile width	78mm minimum with 13mm rebates 90mm minimum with 25mm rebates
Door width	665mm to 1300mm per leaf
Door height	2500mm standard Extra long top shoot available for door heights up to 3350mm
Material	Zinc die cast chassis Steel rods and crossbars
Finish	Silver enamel
Warranty	10 year mechanical



378E



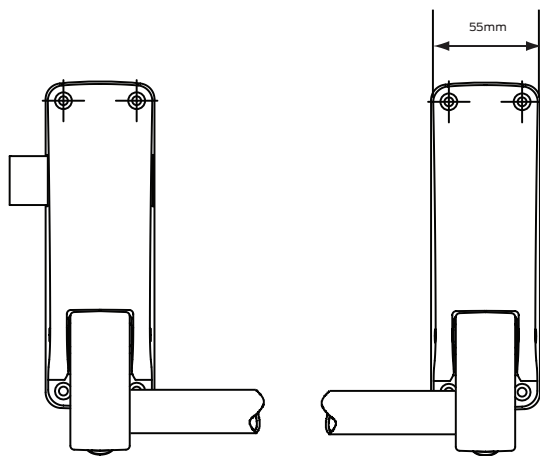
378DDS



378E Reversible Rim Panic Latch

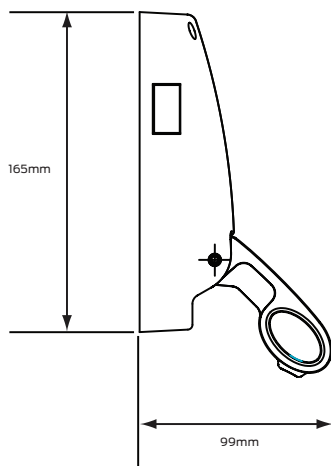
Features

- Suitable for all types of single doors and the first opening leaf of double doors with rebated meeting stiles
- Supplied handed but can be reversed on site
- Optional model available with manual dogging (hold open)
- Can be used with a rim cylinder fitted to the outside of the door
- For double rebated door applications the 377E double door set should be used



Specifications

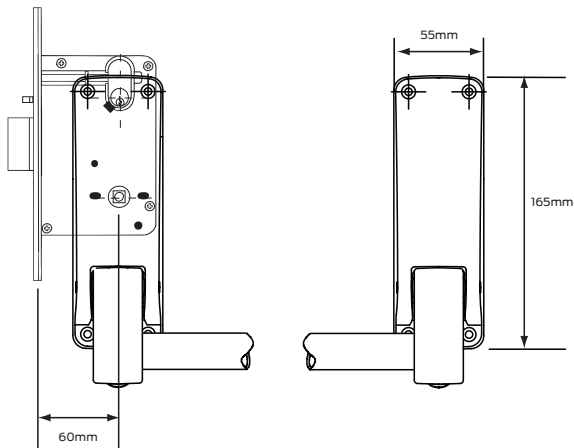
Door type	Timber or metal
Stile width	78mm minimum with 13mm rebates 90mm minimum with 25mm rebates
Door width	665mm to 1300mm
Material	Zinc die cast chassis. Steel rods and crossbars
Finish	Silver enamel
Warranty	10 year mechanical



379E Mortice Panic Night Latch

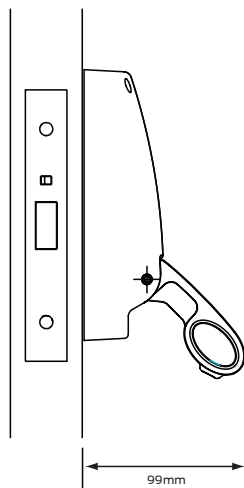
Features

- Designed to be used in conjunction with a Legge 990MF mortice lock (ordered separately)
- Suitable for all types of single doors
- Supplied right handed, but can be handed on site
- Suitable for use on the first opening leaf in double door application
- Optional model available with manual dogging (hold open)
- 13mm rebate kits are available for double rebated door applications



Specifications

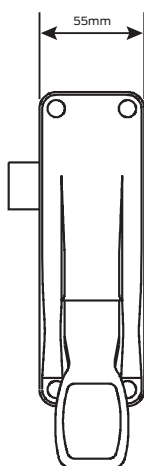
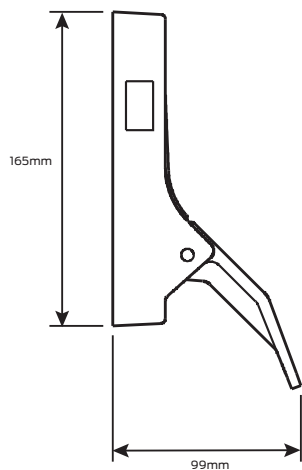
Door type	Timber or metal
Stile width	100mm minimum
Door width	665mm to 1300mm
Material	Zinc die cast chassis. Steel crossbars
Finish	Silver enamel
Warranty	10 year mechanical



1438E Reversible Push Pad Rim Latch

Features

- Pad operated rim latch
- Suitable for use on single doors and the first opening leaf of double rebated door applications
- Supplied handed, but can be reversed on site
- Double door strike available for double rebated door applications
- Can be used with a rim cylinder fitted to the outside of the door



Specifications

Door type	Timber or metal
Stile width	78mm minimum with 13mm rebate
Material	Zinc die cast chassis Zinc die cast paddle
Finish	Silver enamel
Warranty	10 year mechanical

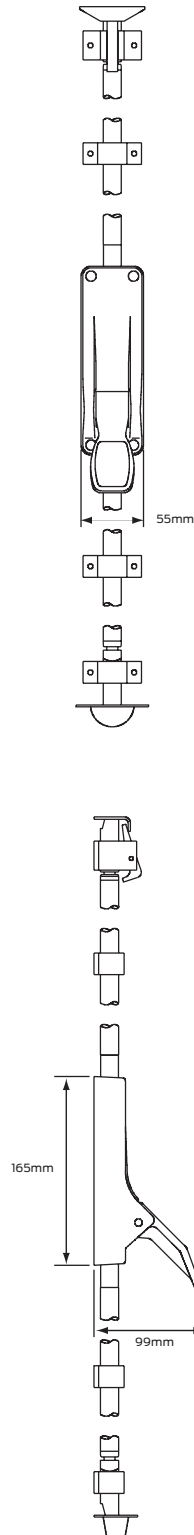
372E Push Pad Vertical Bolt

Features

- Pad operated vertical bolt
- Anti-thrust device, prevents unauthorised retraction of the latch
- Suitable for use on single and double non rebated door applications
- Non-handed to suit left and right handed doors
- Adjustable top shoot
- Supplied with an easy clean floor socket

Specifications

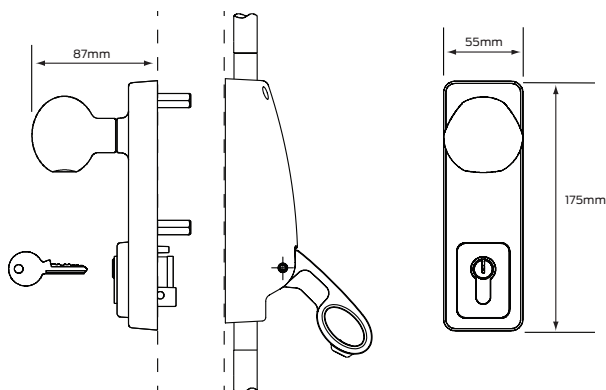
Door type	Timber or metal
Stile width	78mm minimum with 13mm rebate
Door height	2500mm standard. Extra long top shoot available for door heights up to 3350mm
Material	Zinc die cast chassis Zinc die cast paddle Steel rods
Finish	Silver enamel
Warranty	10 year mechanical



Briton 1413E Outside Trim

Knob Version 1413E/K

Ergonomic design providing improved grip in wet conditions. When locked, knob rotates freely. Non-handed.



Features

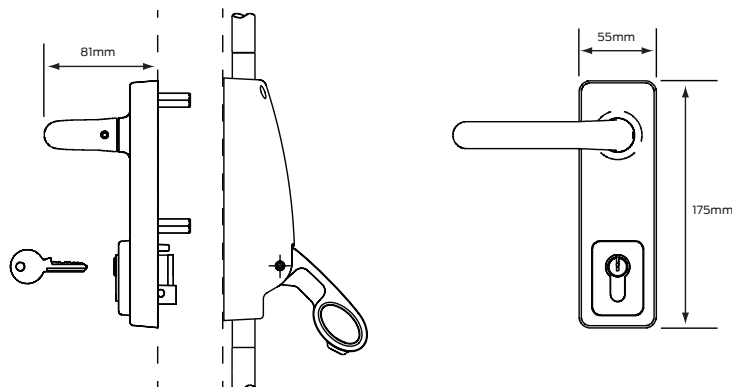
- Device will provide access when the door is locked
- When unlocked the door can also be operated from the outside by using the knob or lever
- Designed to suit all exit devices within the Briton 376E series
- Accepts oval cylinders for key access
- Cylinder ordered separately. Optional Schlage C keyway 5 or 6 pin keyway, or Schlage Everest D available
- Suitable for doors between 35mm and 70mm thick
- Fixings supplied are suitable for both timber and metal doorsets
- Not recommended for high use areas

Specifications

Door type	Timber or metal
Material	Zinc die cast chassis and lever
Finish	Silver enamel
Warranty	10 year mechanical

Lever Version 1413E/L

The lever is secured to the outside trim by a special shear pin designed to fail if the lever is severely abused (e.g. attempted break in, or vandalism) ensuring the mechanism is protected from damage. The shear pin can then be simply replaced to restore normal operation. Lever supplied loose to allow easy on-site handing.





ALLEGION™

PIONEERING SAFETY™

We are
Allegion